



**TOYOTA**

ALWAYS A  
BETTER WAY

# Toyota C-HR

## Rear skirt

Installation instructions

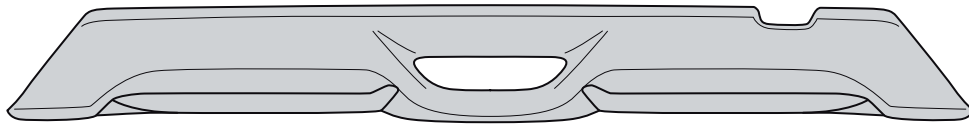
Model year: 2016/10  
Vehicle code: \*\*X\*O\*-AH\*\*\*W  
Part number: PW158-10000

Manual reference number: AIM 003 849 - 0

# Revision Record

Rev. No.	Date	Page	Picture	Update	New	Deleted steps

## PW158-10000

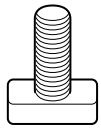


**A**

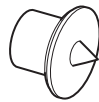
1x

### PW158-10001

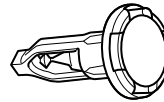
### PW158-10002



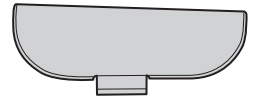
5x



5x



1x



1x



2x



2x



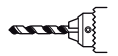
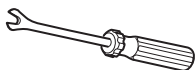
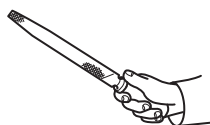
5x



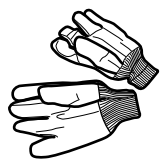
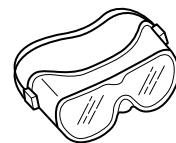
5x

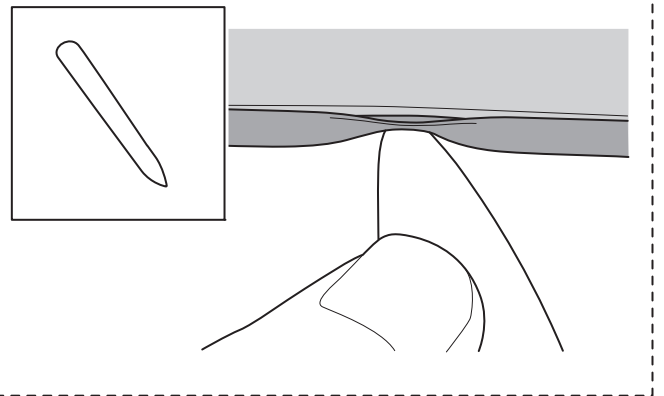
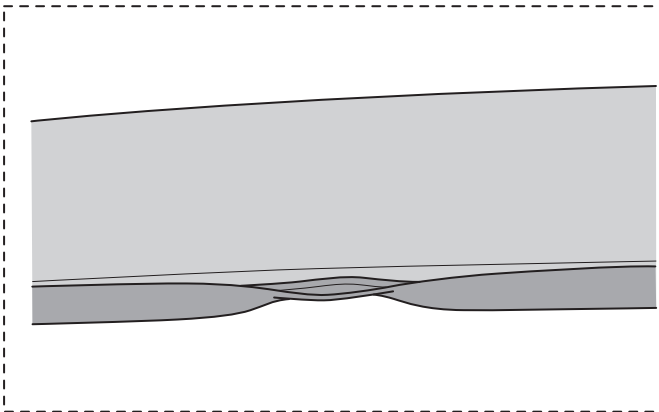
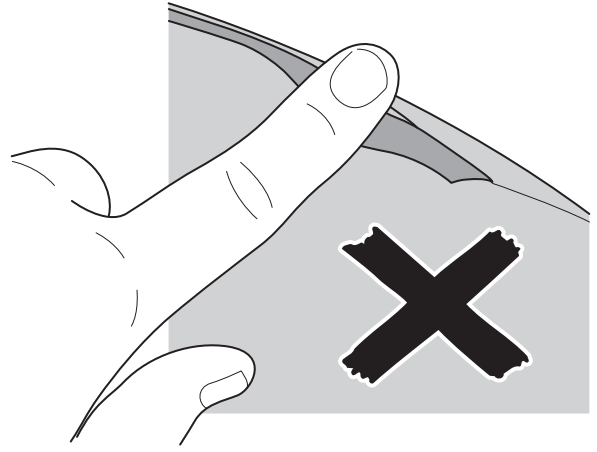
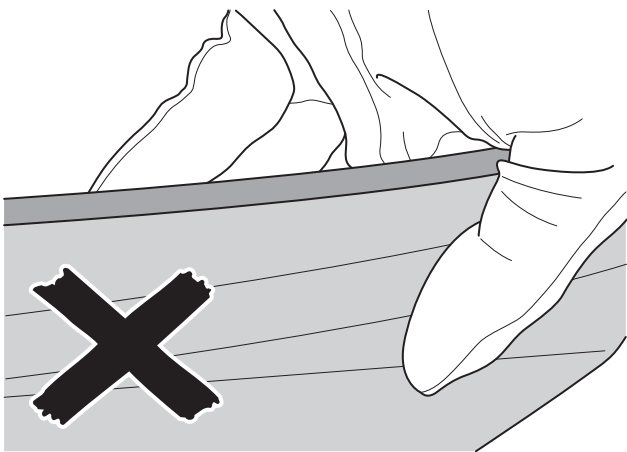
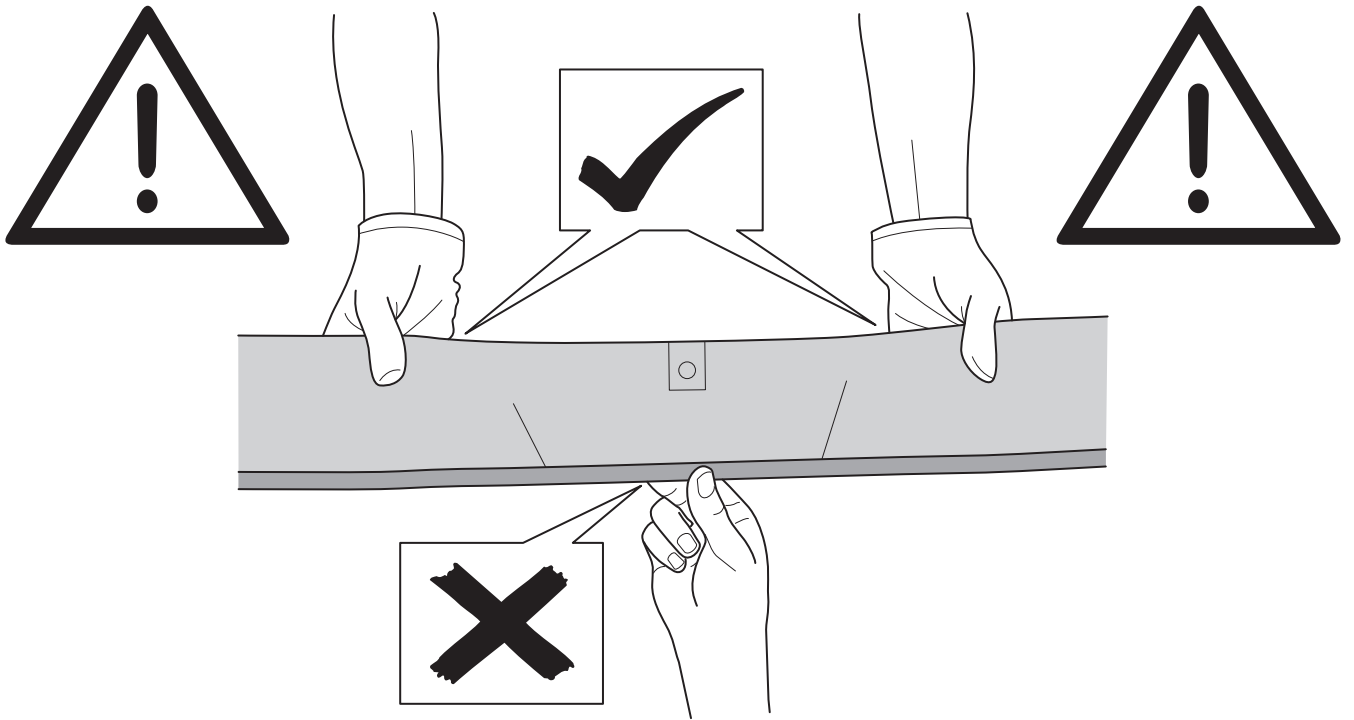


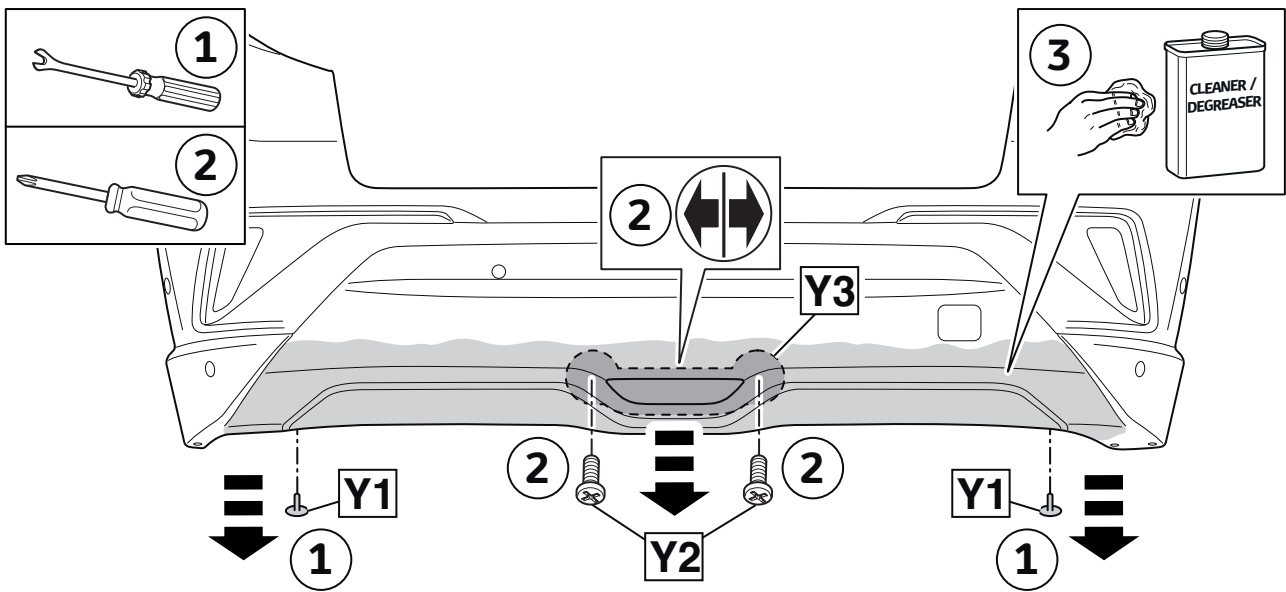
10 mm



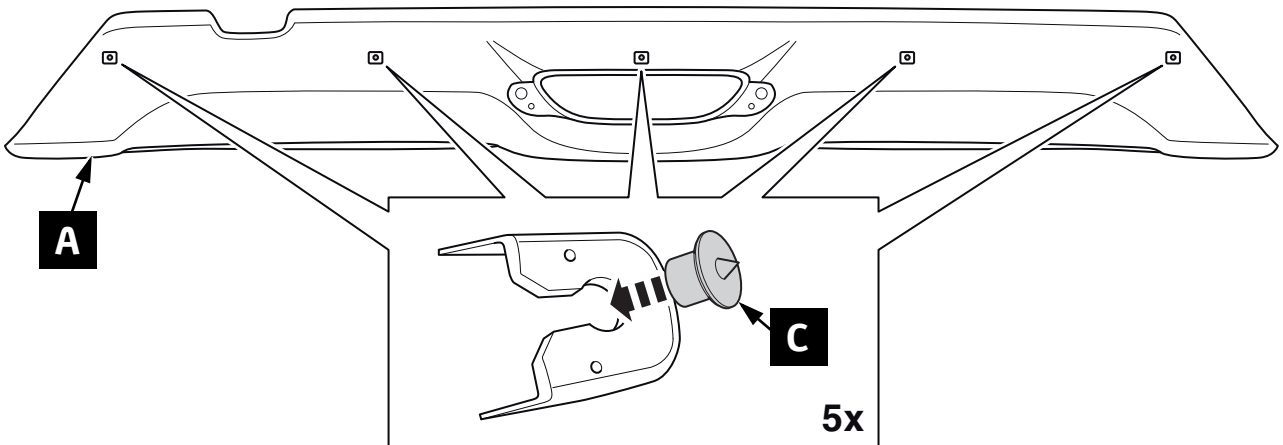
Ø 3,5 mm  
Ø 6 mm  
Ø 9 mm



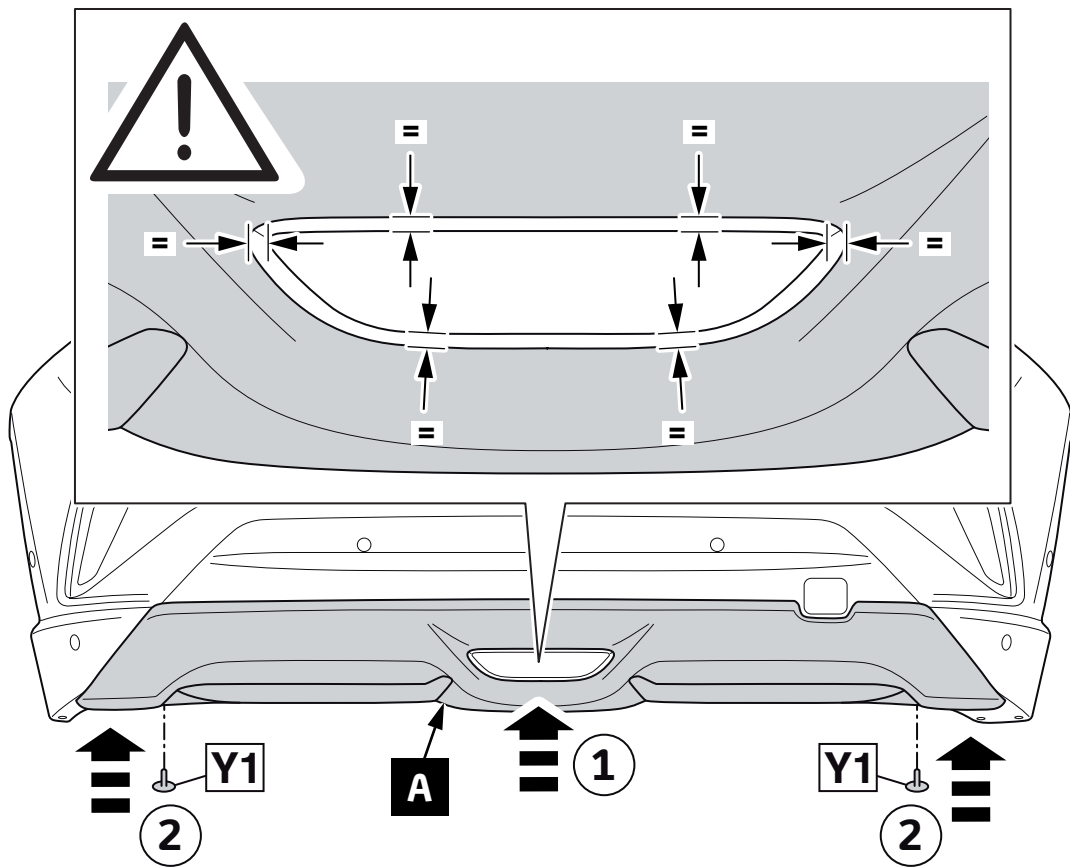




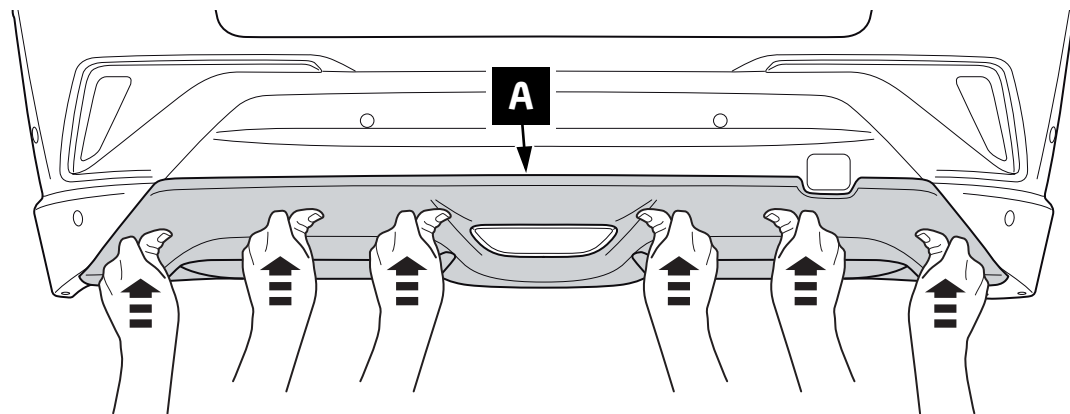
1



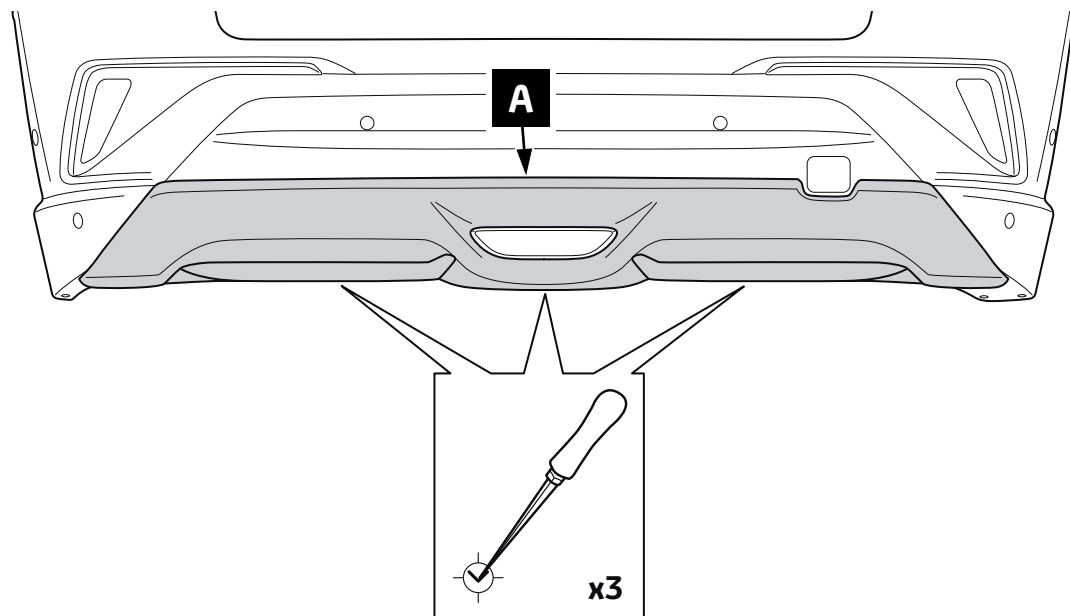
2



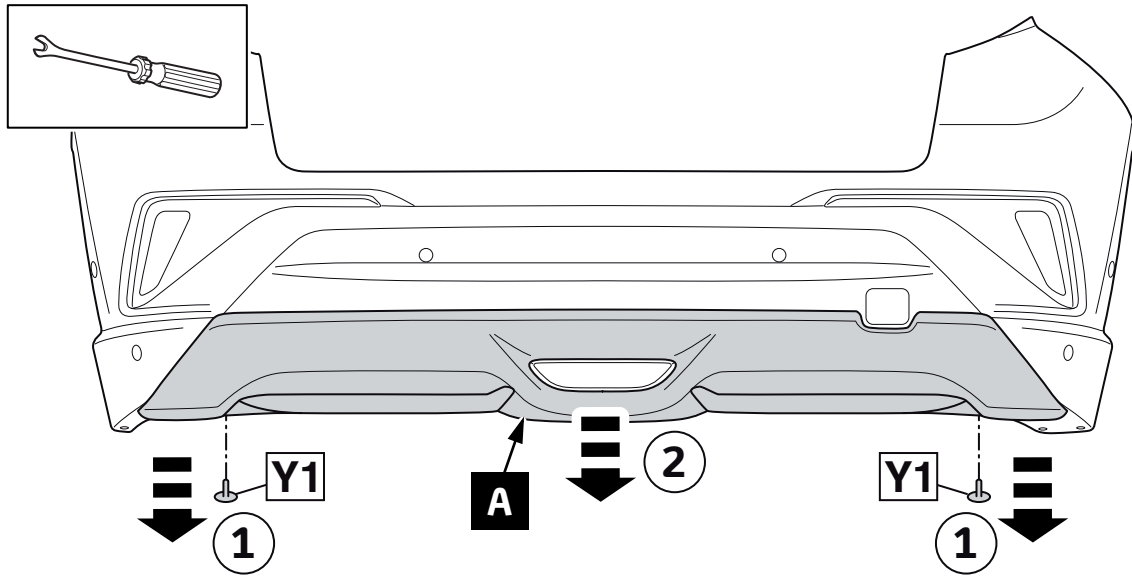
3



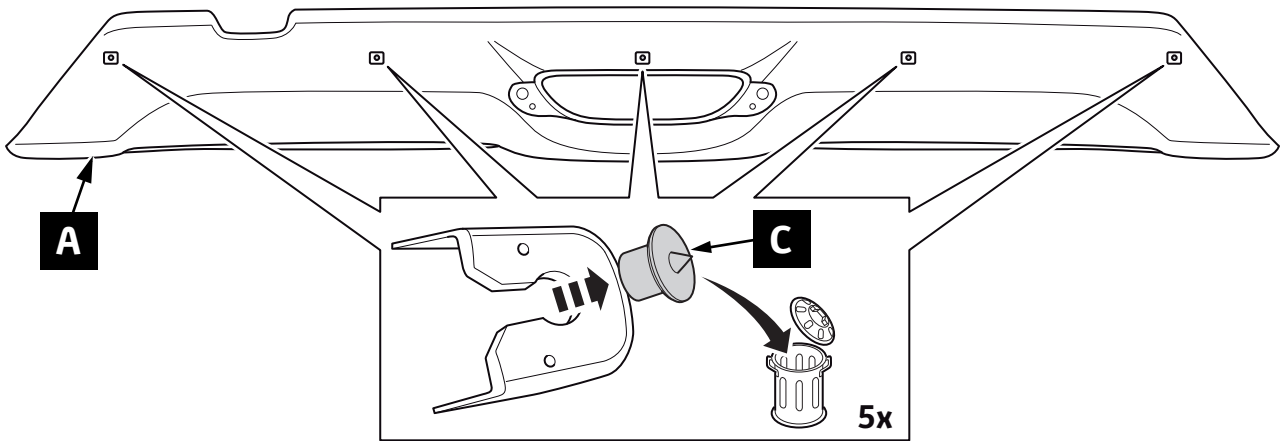
4



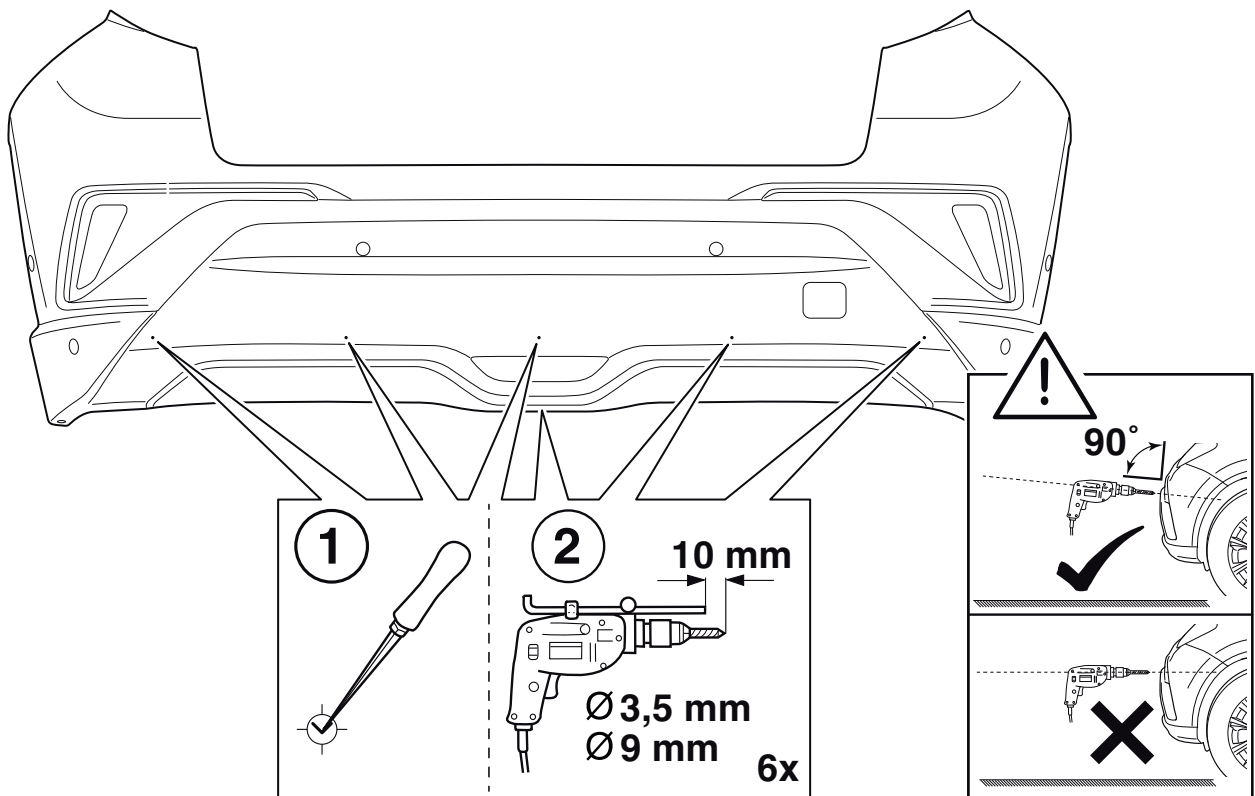
5



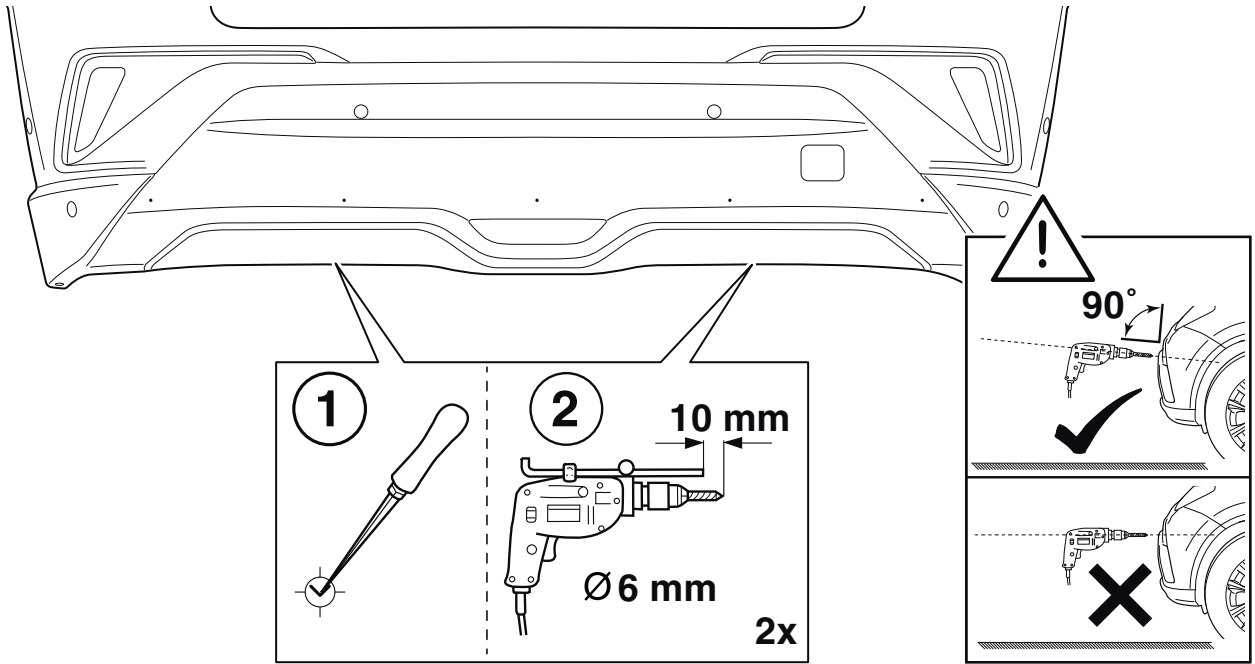
6



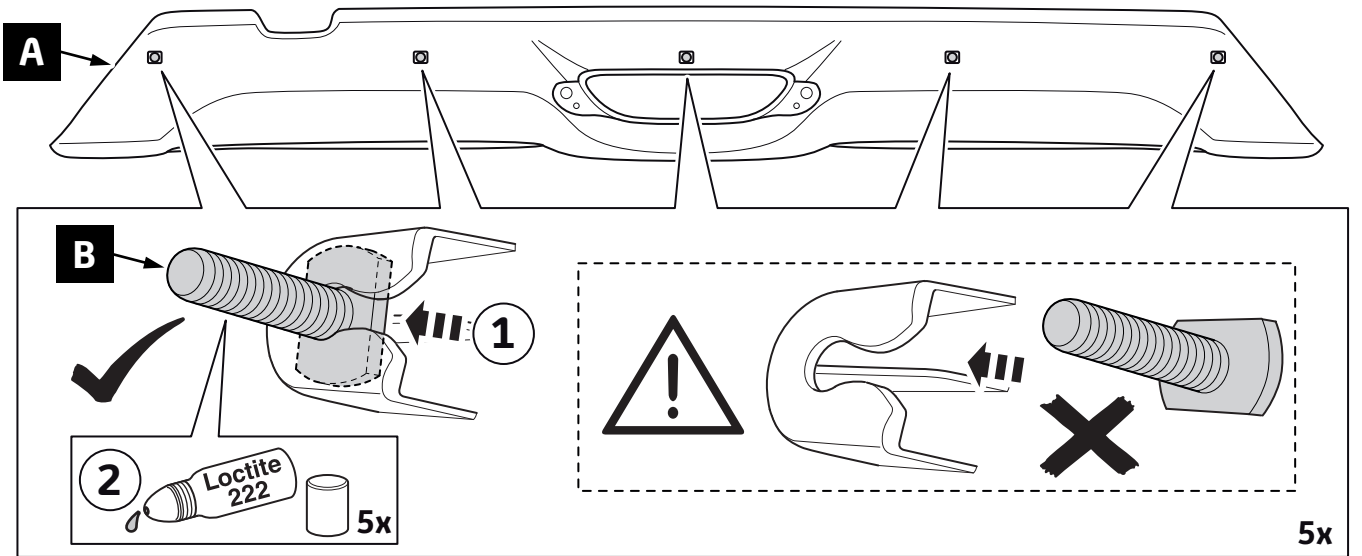
7



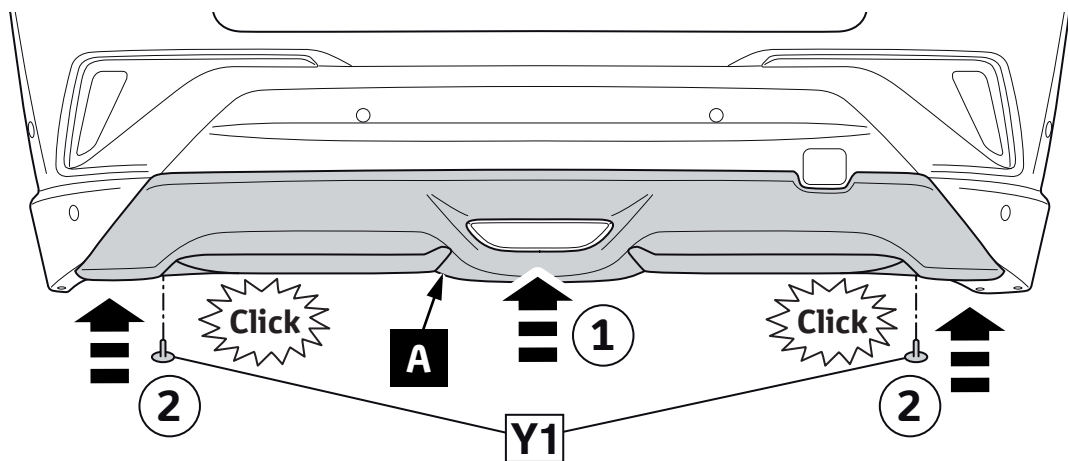
8



9

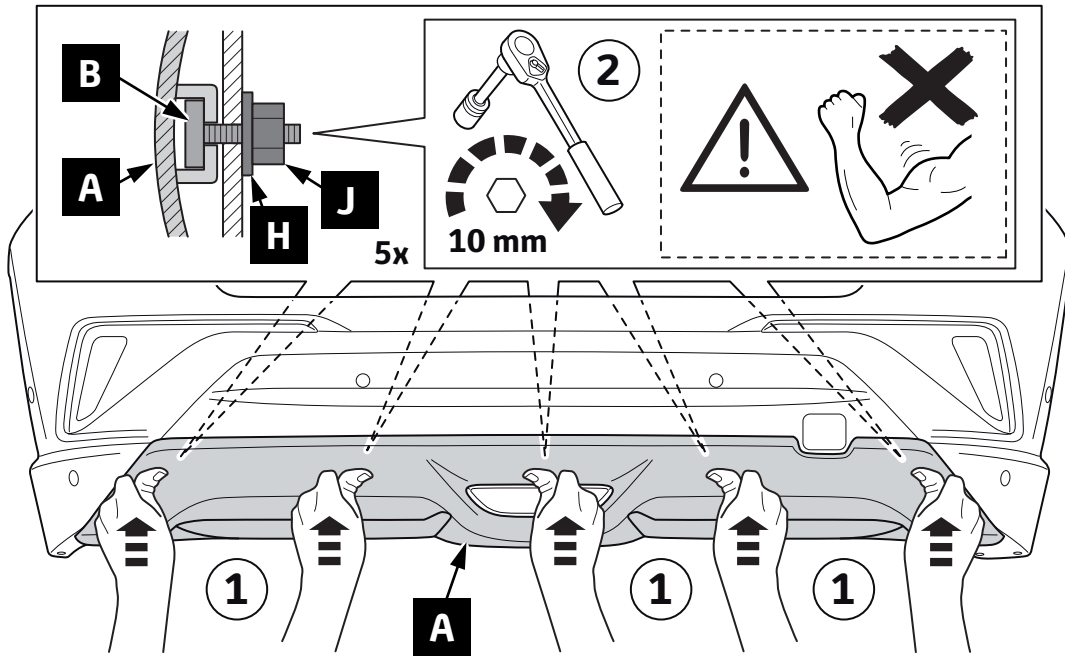


10

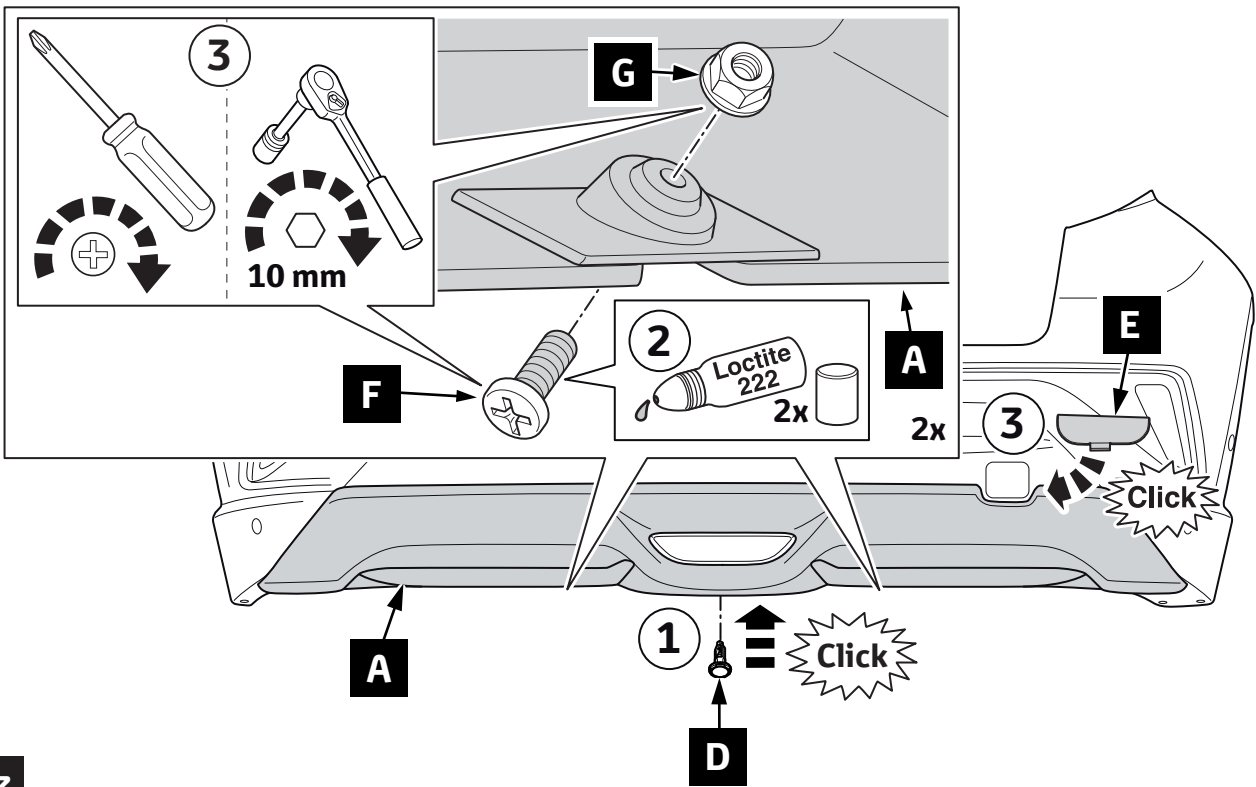


11

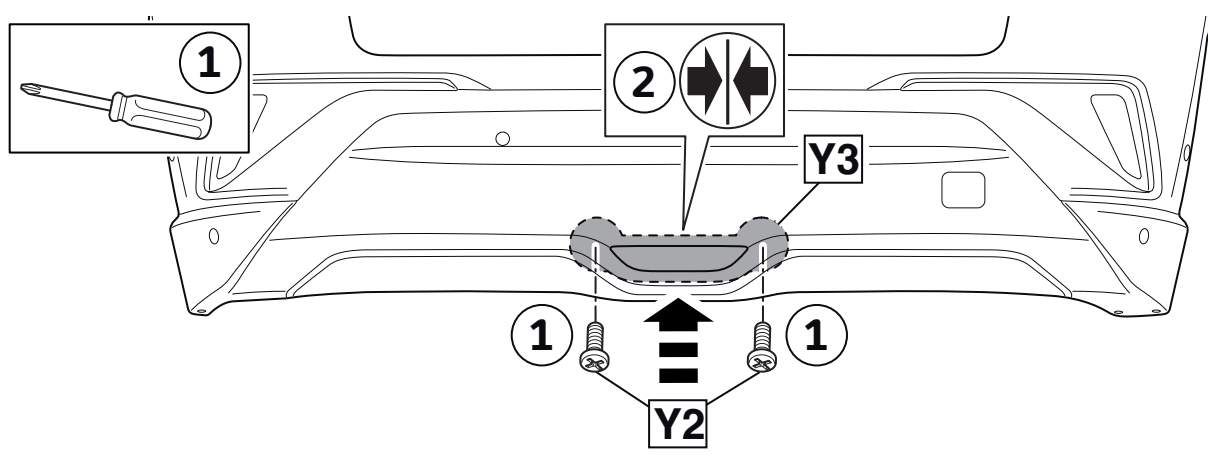
12



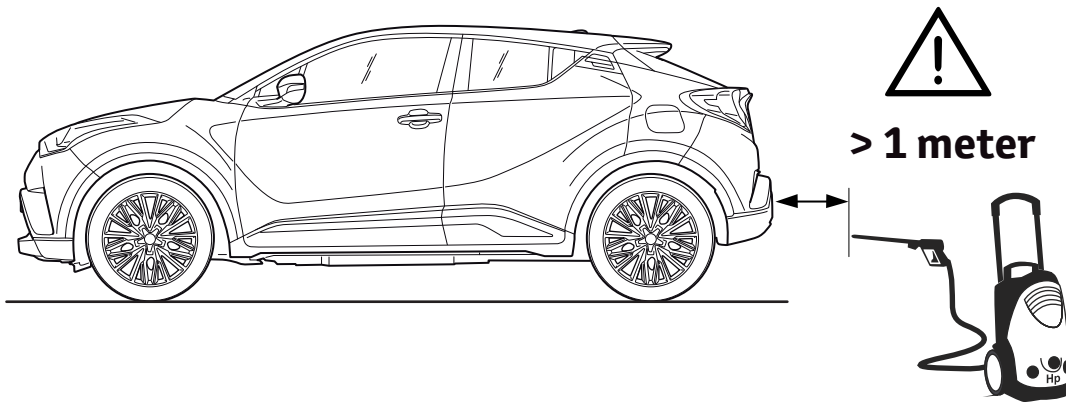
13

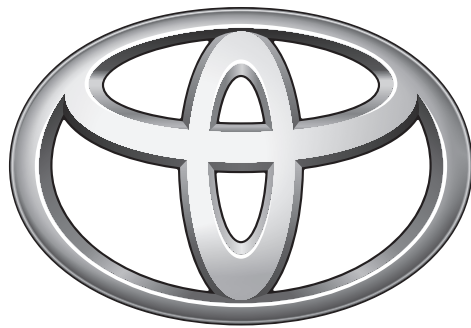


14









**TOYOTA**

# CHECK SHEET



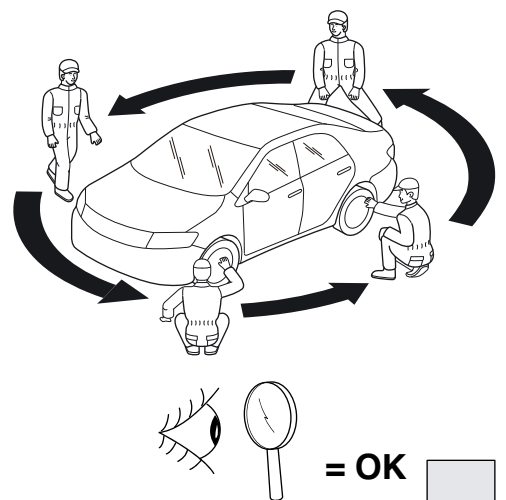
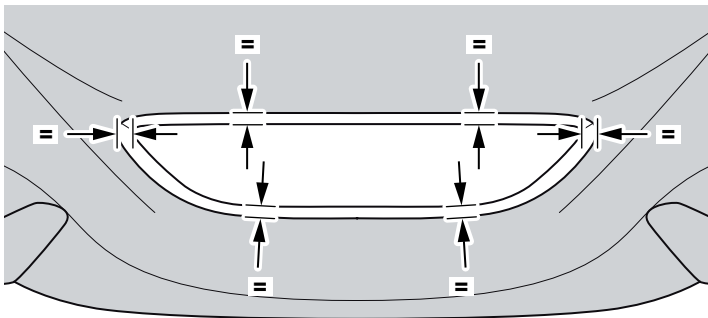
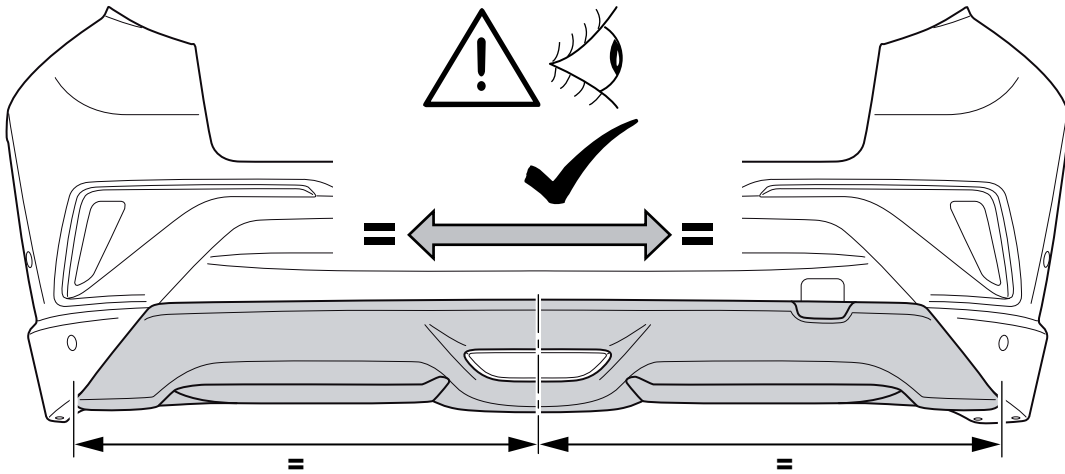
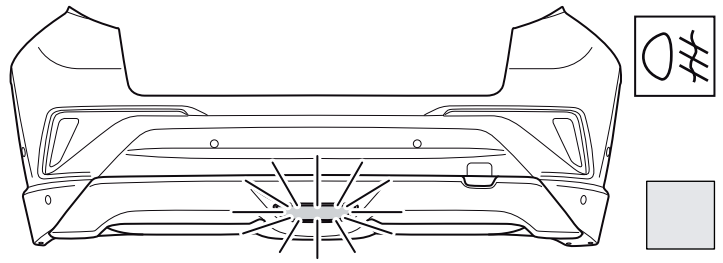
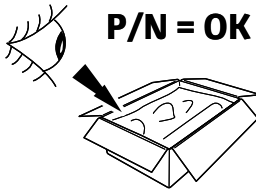
**TOYOTA**

**Model / Year** Toyota C-HR 2016/10

**Rear Skirt**

**VIN n°**

ALWAYS A BETTER WAY



**Installation Date:**

. . / . . / . . . .

**Technician Name & Signature:**

**Stamp:**