



# Toyota Genuine Audio

INSTALLATION INSTRUCTIONS

FOR



## Yaris (RHD) - MMC

**\*\*P1\*R**

(Production date 12/02 and 02/03)

# TABLE OF CONTENTS



1. Application Chart .....	4
2. System Layout.....	6
3. Add on Unit Installation .....	7
- CD-Deck (TF0411)	
- In dash 6 CD-Changer (TM0562)	
- Cassette Deck (TM0300)	
- Cassette, CD-Storage	
4. CD-changer Installation (Driver Seat) .....	11
5. Seat Mounted CD-Changer Installation (Passenger Seat) .....	18
6. Subwoofer Installation (PZ426-B0250-00) .....	27
7. Tweeters Installation (PZ426-T0240-00).....	32
8. Rear Speakers Installation (PZ426-P0240-00) .....	38

**AUDIO & NAVIGATION APPLICATION CHART**  
 TMME-CA Division Dev. Dept. II - April 11st, 2003

**Yaris MMC \*\*P1\*R**

COMBINATION		+ ADD-ON UNIT(S)		REQUIRED ADDITIONAL PARTS
		HEAD UNIT		
1	Radio-less with cassette-cluster (dummy unit)	-		Dummy Radio/Cassette 08605-52811
2	Radio/Cassette	MOP-unit or 08600-52822		-
3	Radio/Cassette + CD-Deck	MOP-unit or 08600-52822	● ●	-
4	Radio/Cassette + CD-Changer	MOP-unit MOP-unit MOP-unit or 08600-52822 08600-52822 08600-52822	● (1) ● ● (2)	- - F/K 08695-00803 - - F/K 08695-00803
5	Radio/Cassette + Navigation	MOP -unit or 08600-52822	● (3) ● (3)	- -
6	Radio/Cassette + CD-Deck + Navigation	MOP-unit or 08600-52822	● (3) ● (3)	- -
7	Radio/Cassette + CD-Changer + Navigation	MOP-unit MOP-unit 08600-52822 08600-52822	● (1) ● ● (3) ● (3) ● (3)	- - - -

(\* ) Cassette-cluster: TMC 86220-52050-B0 / TMMF 86220-52040-B0 (\*\* ) CD-cluster: TMC 86220-52060-B0 / TMMF 86220-52030-B1

MOP: Factory installed option

Subwoofer PZ426-B0250-00: Under the front right hand seat (if space available)

Note (1): Under front right hand seat Note (2): Passenger seat mounting F/K 08695-00803 = Hanging seat mounting kit Note (3): Under front left hand seat

# AUDIO & NAVIGATION APPLICATION CHART

TMME-CA Division Dev. Dept. II - April 11st, 2003

## Yaris MMC \*\*P1\*R

		+ ADD-ON UNIT(S)	
		In-Dash CD-Changer <i>TM0562 (08601-00907)</i>	Seat mount CD-Changer <i>TM0461 (08601-00912)</i>
		Hide-Away CD-Changer <i>TM0461 (08601-00911)</i>	CD-Deck <i>TF0411 (08601-00906)</i>
		Cassette Deck <i>TM0300 (08690-00827)</i>	Navigation System <i>TNS300 (08545-52800)</i>
COMBINATION	HEAD UNIT	REQUIRED ADDITIONAL PARTS	
8 Radio-less	-		
9 Radio/CD	MOP-unit or 08600-52831		
10 Radio/CD + Cassette-Deck	MOP-unit or 08600-52831	●	
11 Radio/CD + CD-Changer	MOP-unit MOP-unit MOP-unit or 08600-52831 08600-52831 08600-52831	● (1)	● (2)
12 Radio/CD + Navigation	MOP-unit or 08600-52831	● (1)	● (2)
13 Radio/CD + Cassette-Deck + Navigation	MOP-unit or 08600-52831	●	● (3)
14 Radio/CD + Cassette Deck + CD-Changer + Navigation	MOP-unit MOP-unit 08600-52831 08600-52831	● (1)	● (3)
15 Radio/CD + CD-Changer + Navigation	MOP-unit MOP-unit 08600-52831 08600-52831	● (1)	● (3)
			Cassette-Cluster (*) + Dummy Radio/Cassette 08605-52811
			F/K 08695-00803
			F/K 08695-00803

(\*) Cassette-cluster: TMC 86220-52050-B0 / TMMF 86220-52040-B0 (\*\*) CD-cluster: TMC 86220-52060-B0 / TMMF 86220-52030-B1

MOP: Factory installed option

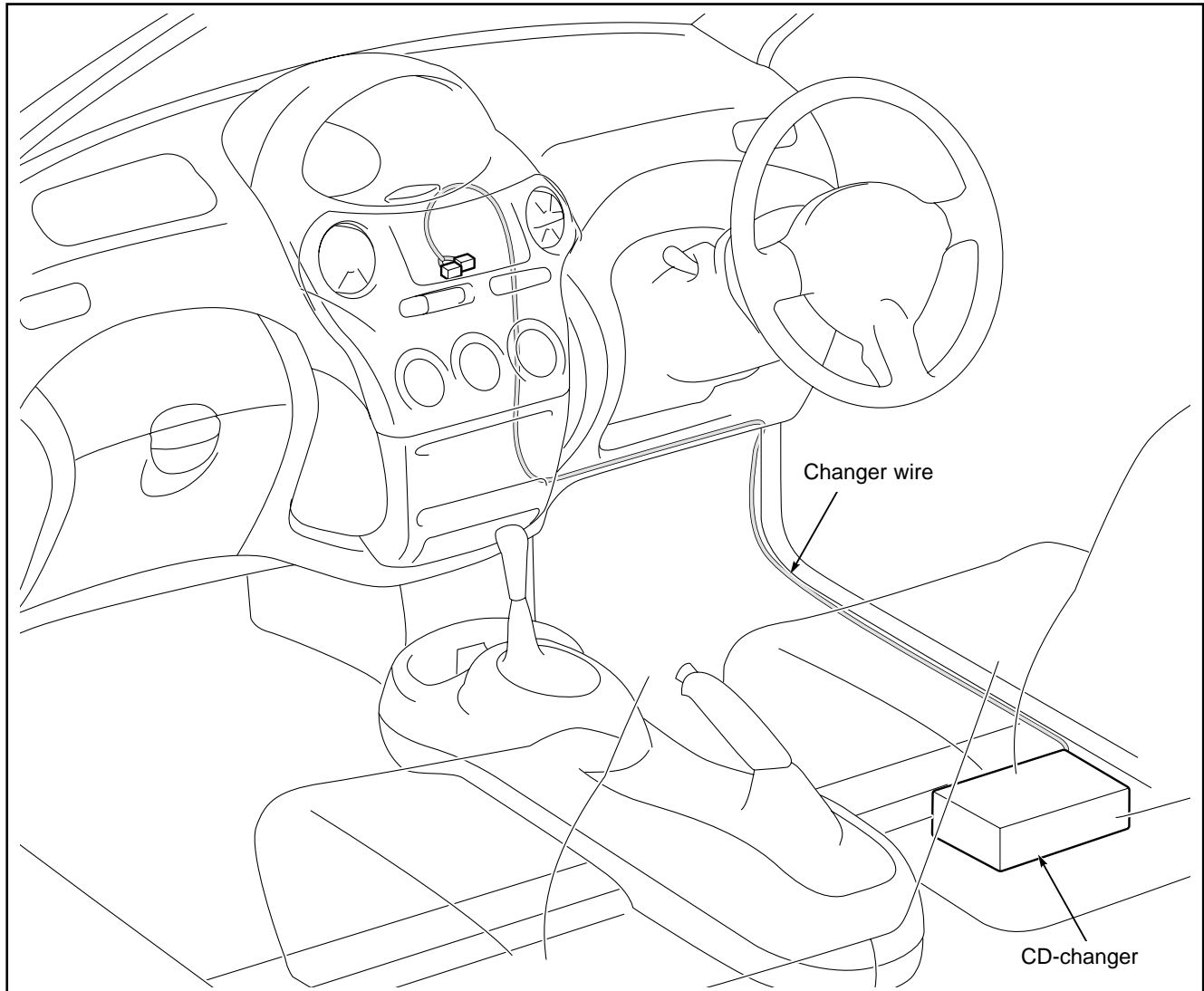
Subwoofer PZ426-B0250-00: Under the front right hand seat (if space available)

Note (1): Under front right hand seat Note (2): Passenger seat mounting F/K 08695-00803 = Hanging seat mounting kit Note (3): Under front left hand seat

## 2. SYSTEM LAYOUT



### 6 CD-CHANGER



#### NOTE:

To install the CD-changer in hanging position under the passenger seat, you will need the seat-mounted 6 CD-changer TM0461 (08601-00912) and the seat-mounting kit F/K (08695-00803). To install the 6 CD-changer on the floor beneath the driver seat, you will need the hide-away 6 CD-changer TM0461 (08601-00911).

### 3. ADD ON UNIT INSTALLATION

(CD-Deck (TF0411), In Dash CD-Changer (TM0562), Cassette Deck (TM0300), Cassette/CD-storage)

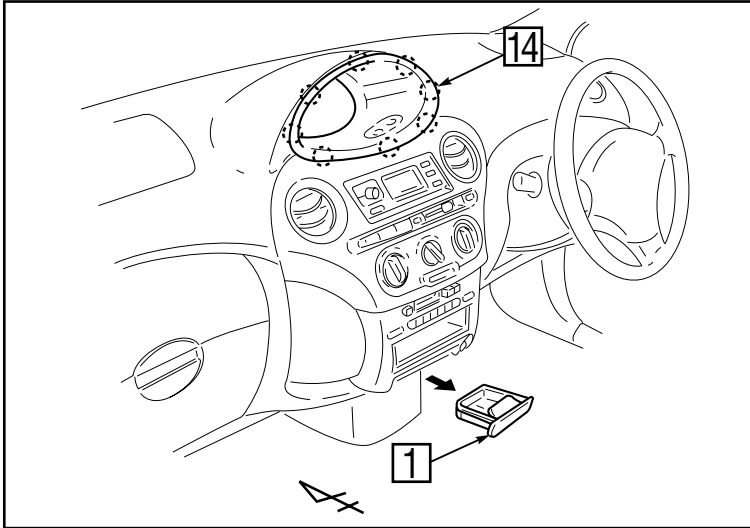


Fig. 1

1.
  - a) Remove the instrument cluster finish panel **14**.
  - : Clip (8x)
  - b) Remove the front ashtray **1**.

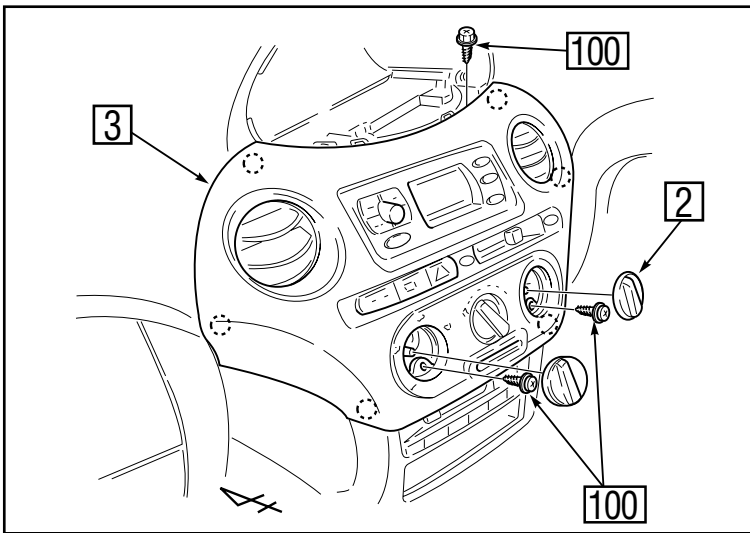


Fig. 2

2.
  - a) Remove the control knobs **2** (2x).
  - 100**: Screw (2x)
  - b) Remove the centre cluster panel **3**.
  - 100**: Screw (1x)

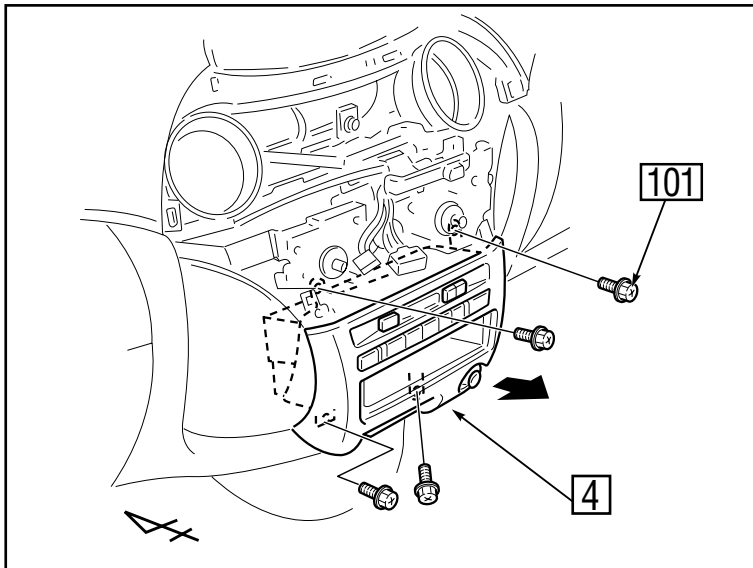


Fig. 3

3. Remove the audio assembly **4**.  
**101**: Screw (4x)

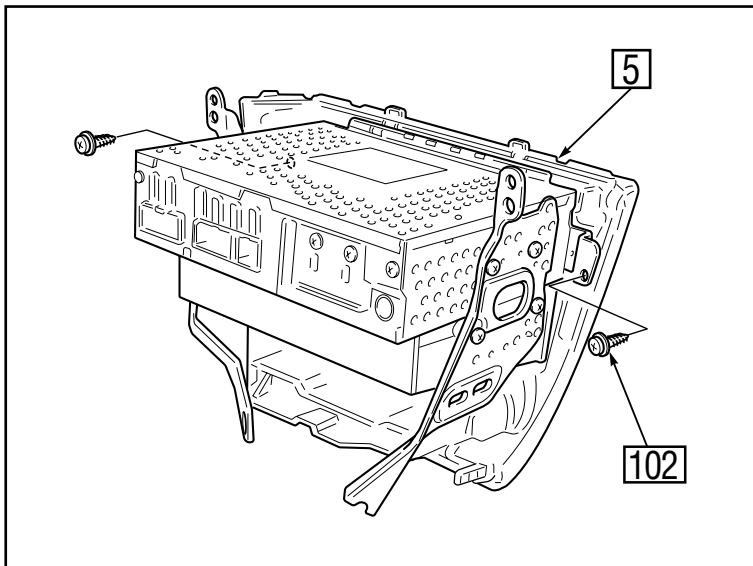


Fig. 4

4. Remove the instrument cluster panel **5**.  
**102**: Screw (2x)

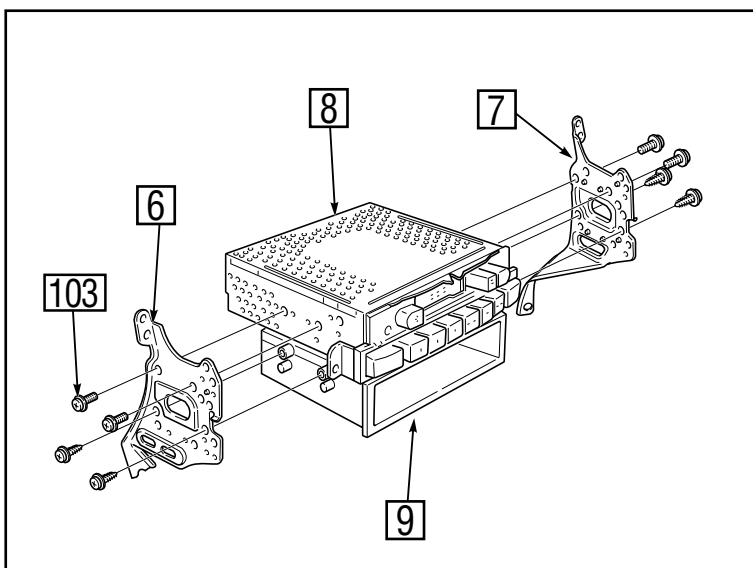


Fig. 5

5. Remove the brackets **6** and **7**, audio assembly **8** and cover **9**.  
**103**: Screw (8x)

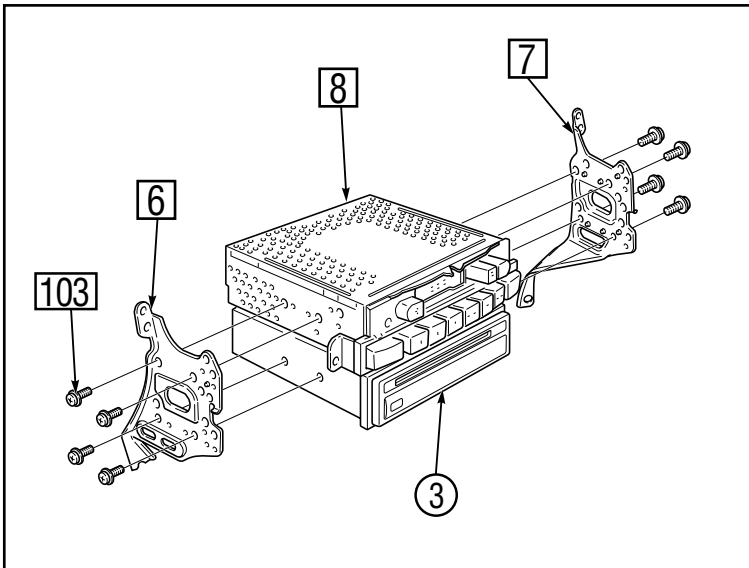


Fig. 6

6. Mount the brackets 6 and 7 on to the add-on unit assembly 3 and audio assembly 8.  
103: Screw (8x)

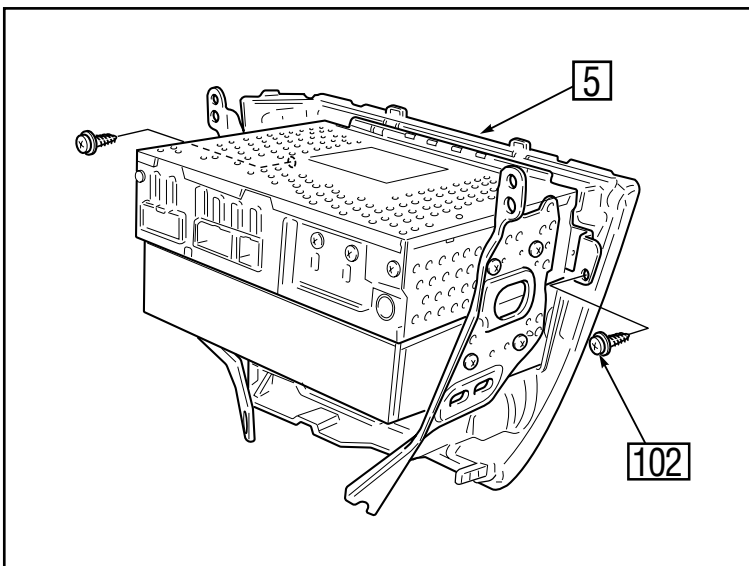


Fig. 7

7. Install the instrument cluster panel 5.  
102: Screw (2x)

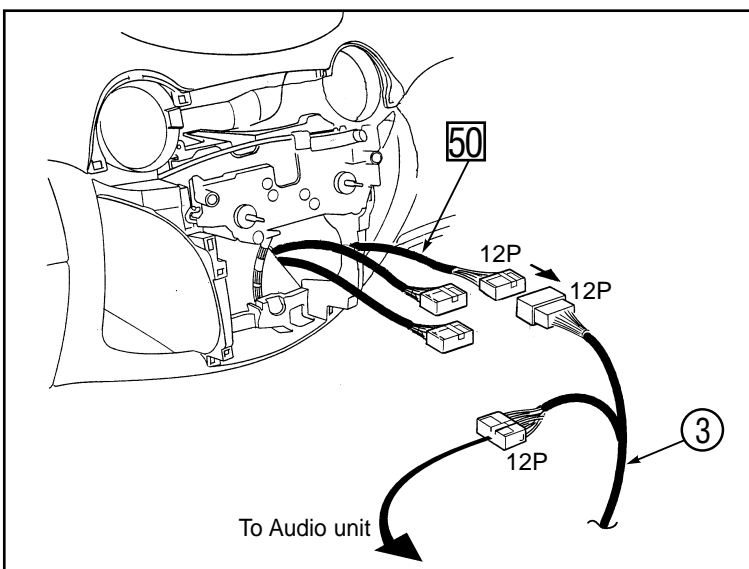


Fig. 8

8.
  - a) Connect the 12P female audio connector of the vehicle wire harness 50 to the 12P male connector of the add-on unit 3.
  - b) Connect the 12P female connector of the add-on unit 3 to the audio unit.



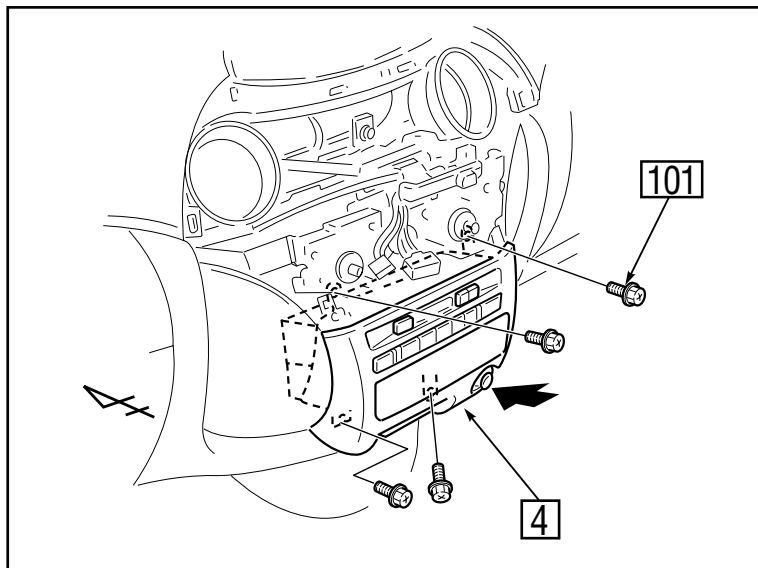


Fig. 9

9. Refit the audio assembly **4**.  
**101**: Screw (4x)

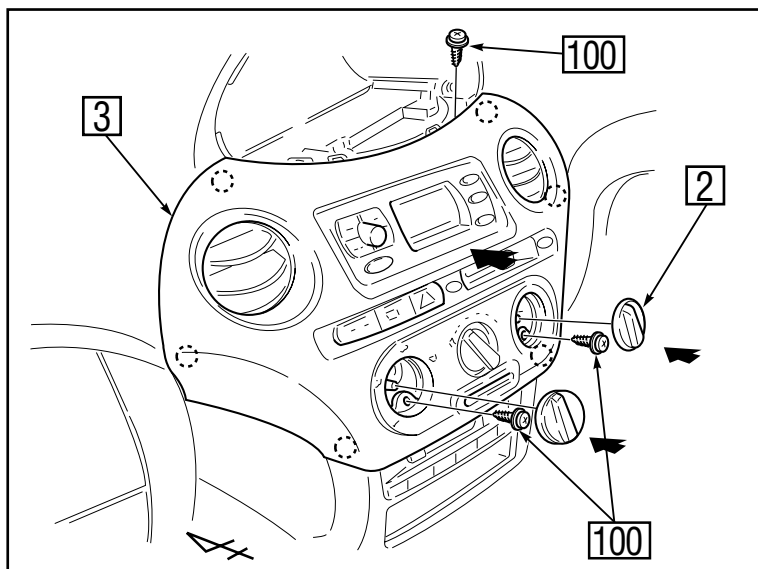


Fig. 10

10. Refit the centre cluster panel **3** and the control knobs **2**.  
**100**: Screw (3x)

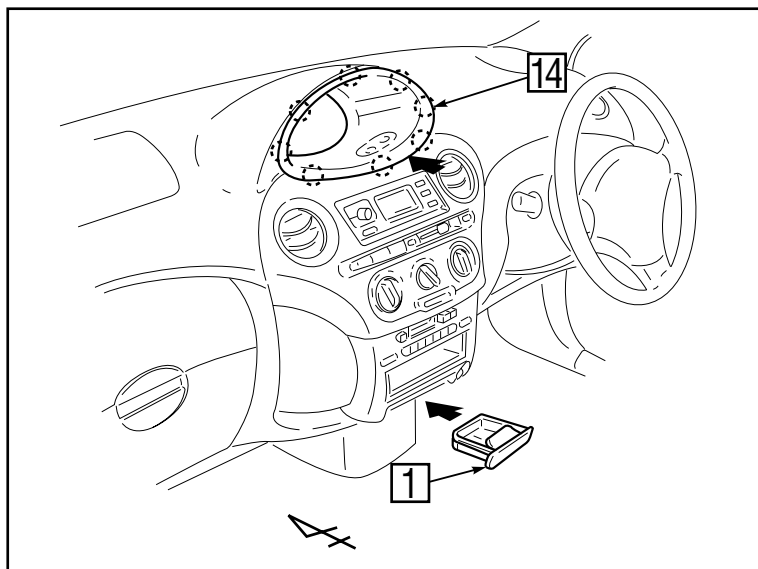


Fig. 11

11.
  - a) Refit the instrument cluster finish panel **14**.  
 ○: Clip (8x)
  - b) Refit the front ashtray **1**.

**5. CD-CHANGER INSTALLATION (driver seat)**

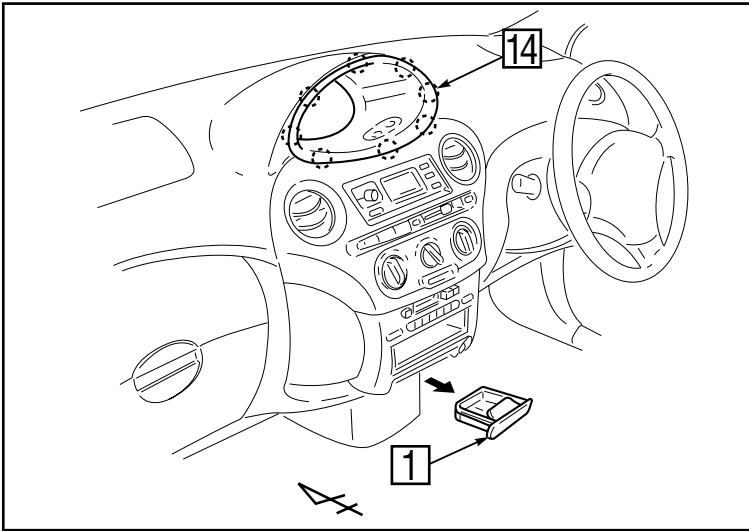


Fig. 12

1.
  - a) Remove the instrument cluster finish panel **14**.  
○: Clip (8x)
  - b) Remove the front ashtray **1**.

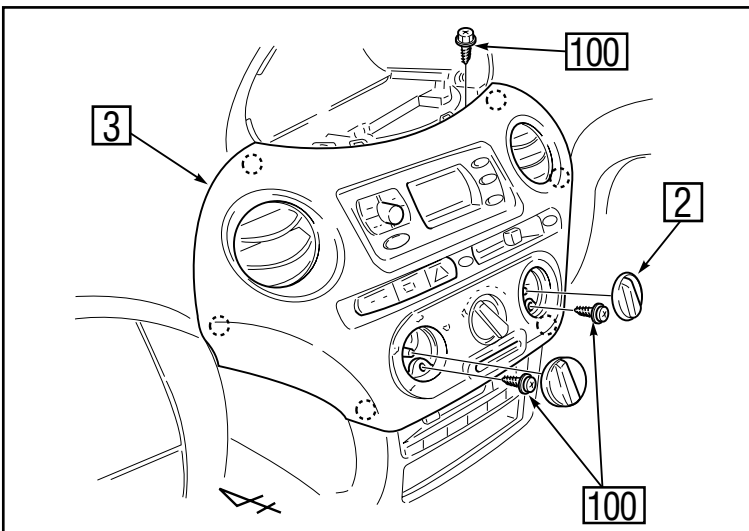


Fig. 13

2.
  - a) Remove the control knobs **2** (2x).  
**100**: Screw (2x)
  - b) Remove the centre cluster panel **3**.  
**100**: Screw (1x)

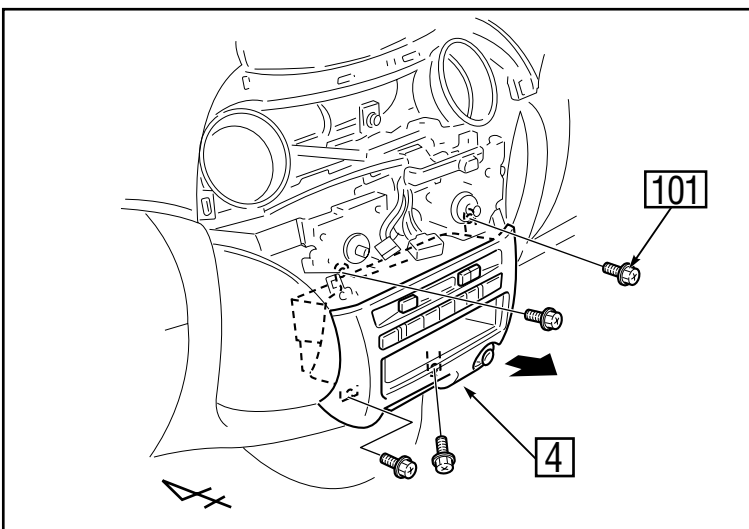


Fig. 14

3. Remove the audio assembly **4**.  
**101**: Screw (4x)

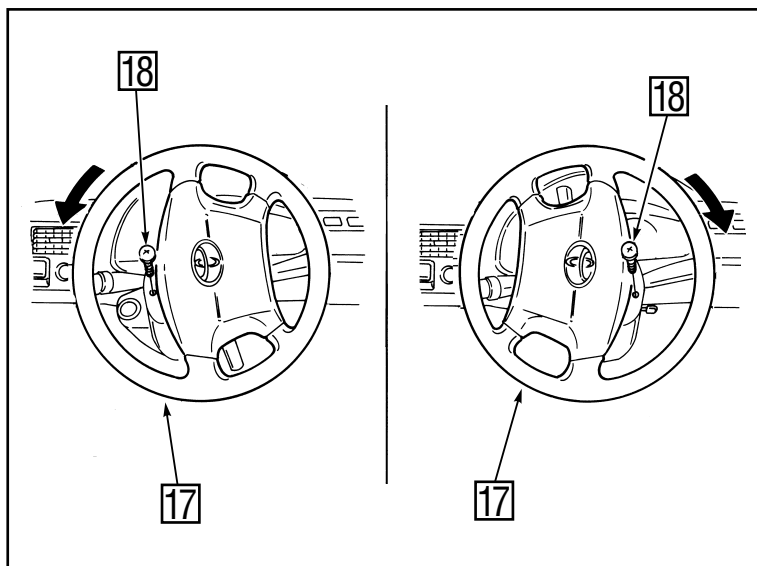


Fig. 15

4.
  - a) Turn the steering wheel 17 to the left, then remove the screw 18.
  - b) Turn the steering wheel 17 to the right, then remove the screw 18.

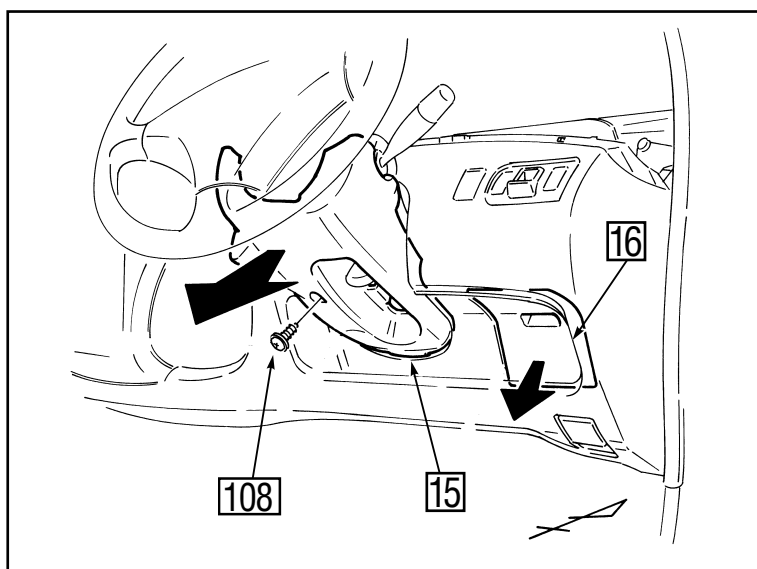


Fig. 16

5.
  - a) Remove the fuse box cover 16.
  - b) Remove the lower steering column cover 15.

108 : Screw (1x)

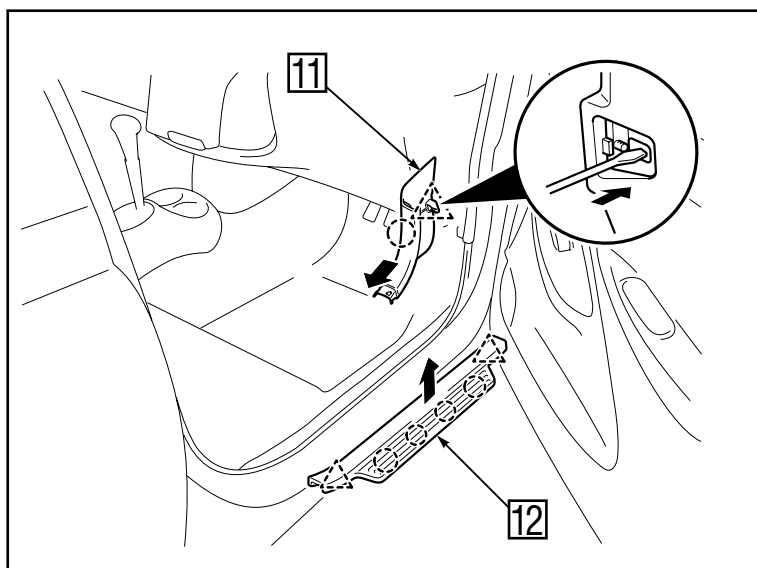


Fig. 17

6.
  - a) Remove the kick panel (R) 11.
    - △: Hook (1x)
    - : Clip (1x)
  - b) Remove the front door scuff plate (R) 12.
    - △: Hook (2x)
    - : Clip (4x)

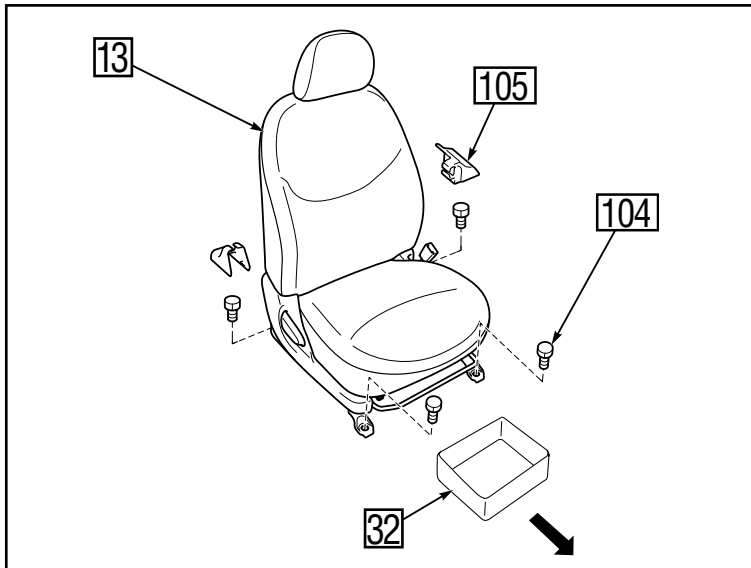


Fig. 18

7. Remove the driver seat 13 .

104: Bolt (4x)

105: Cover (2x)

**NOTE**

Remove and discard the storage box 32 underneath the seat (if equipped).

**CAUTION**

Fasten the bolt with specified torque wrench (25 N.m) when reassembling.

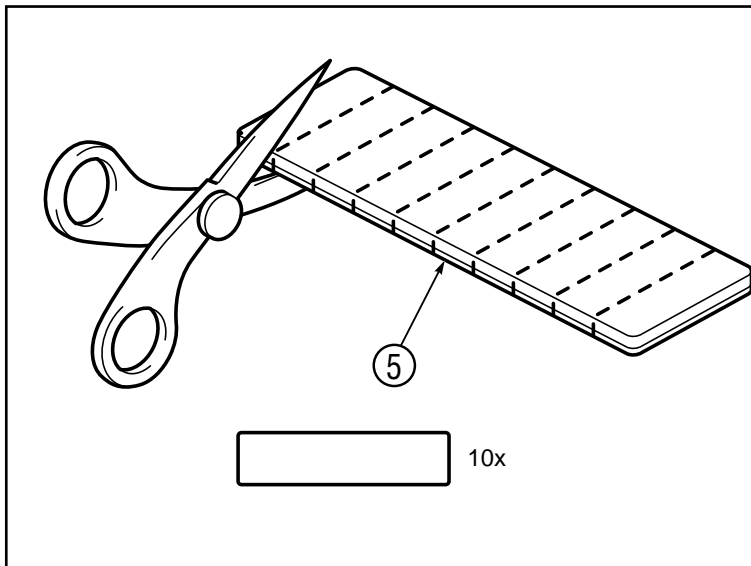


Fig. 19

8. Cut one tape 5 into 10 equal sized pieces.

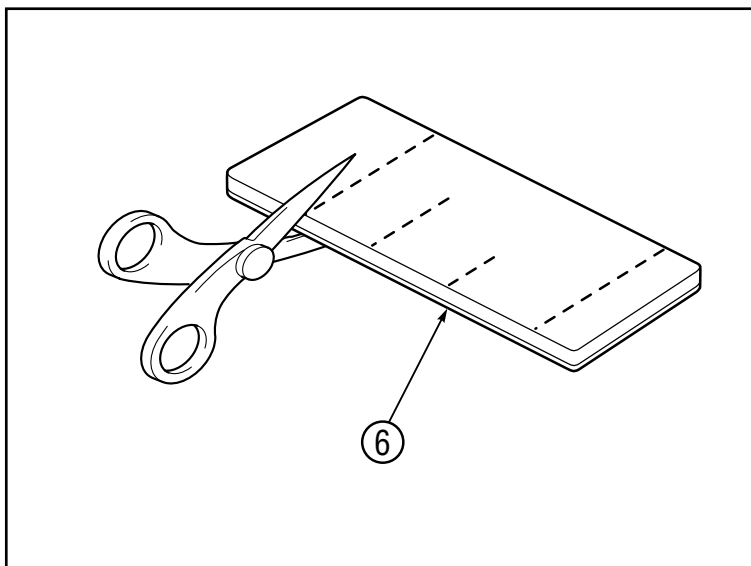


Fig. 20

9.

a) Cut 1 piece butyl tape 6 of 67mm x 50mm.

b) Cut 5 pieces butyl tape 6 of 50mm x 25mm.

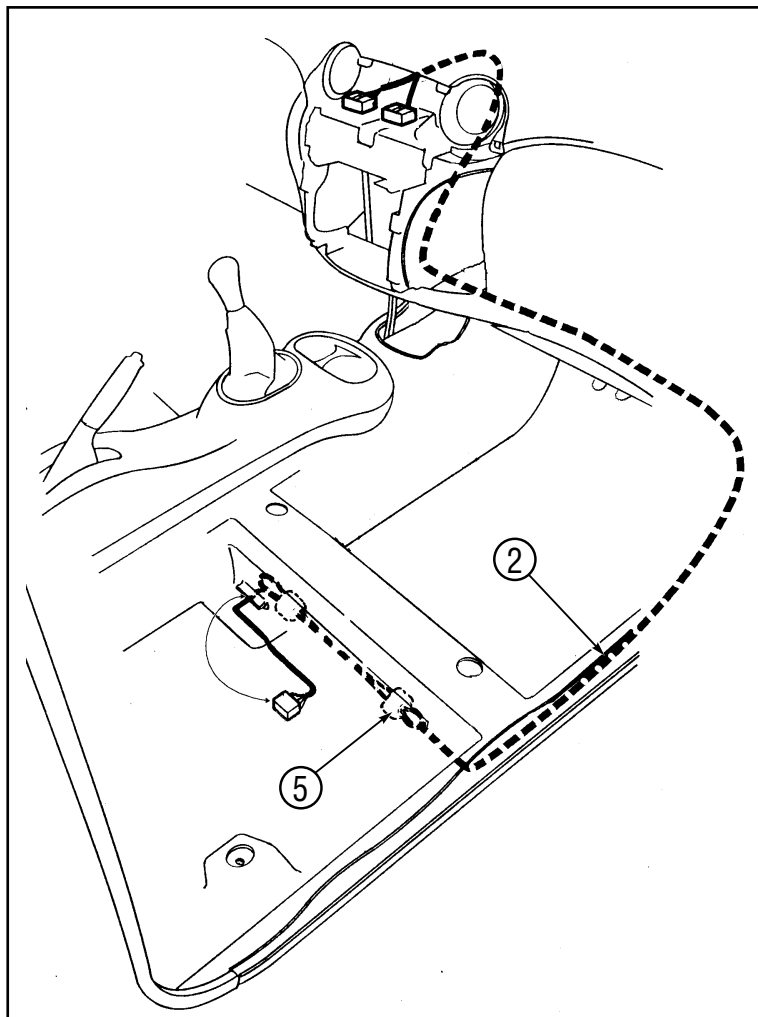


Fig. 21

10. Route and attach the changer wire ② using tape ⑤ .  
 ⑤: Tape (2x)

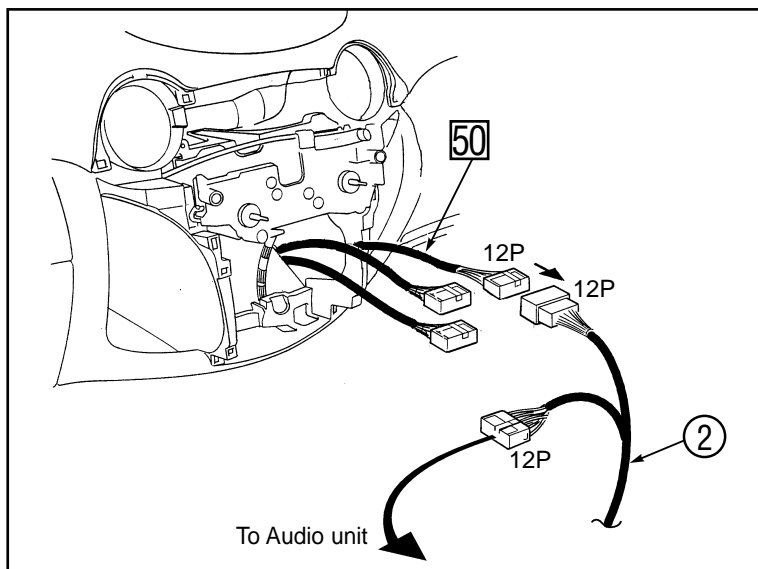
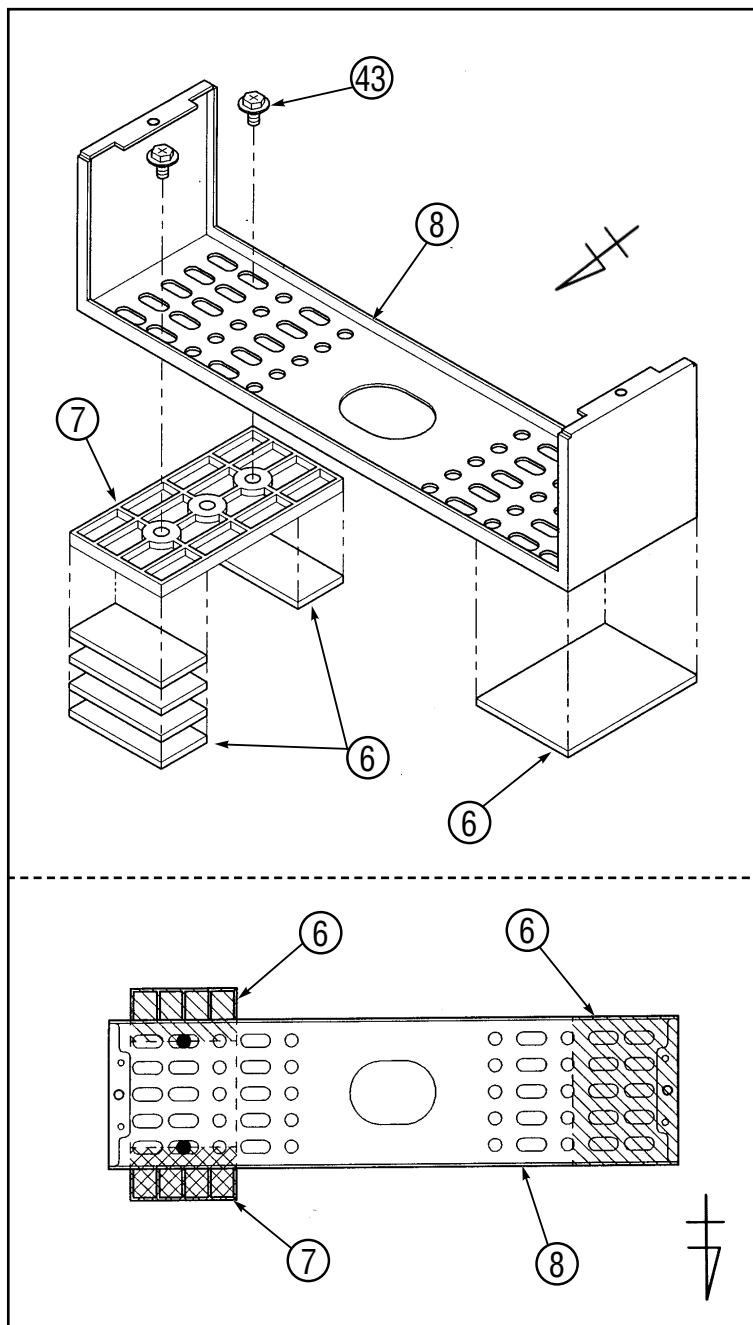


Fig. 22

11.
  - a) Connect the 12P female audio connector of the vehicle wire harness ⑤⑩ to the 12P male connector of the CD-changer wire ② .
  - b) Connect the 12P female connector of the CD-changer wire ② to the audio unit.



12. Attach the butyl tape ⑥ and spacer ⑦ to the base bracket ⑧ .  
④③ : Screw (M5x10) (2x)

Fig. 23

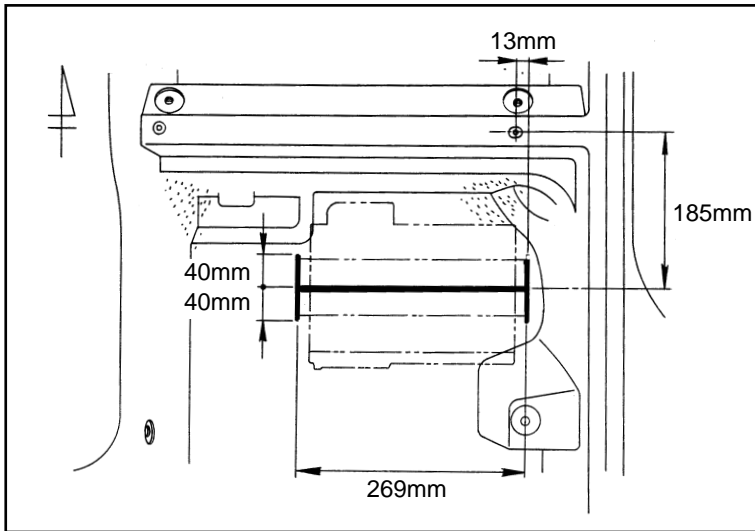


Fig. 24

13.
  - a) Cut the carpet as shown in the illustration.
  - b) Cut the insulator mat.

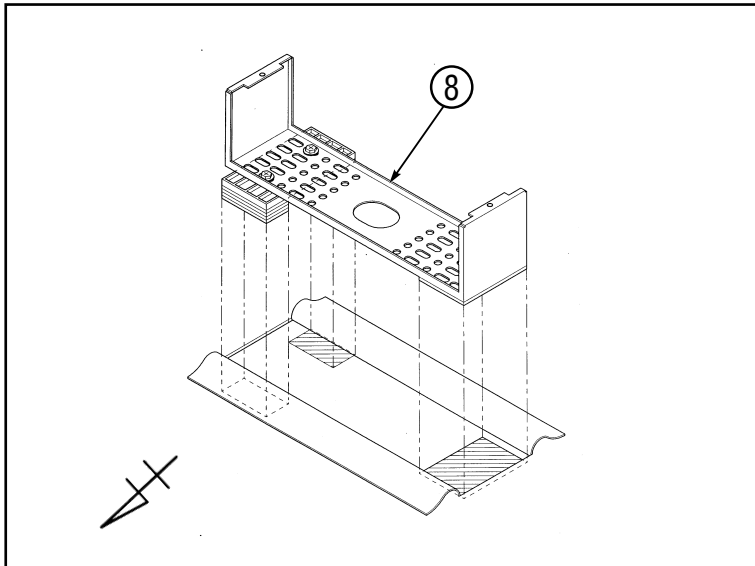


Fig. 25

14. Attach the base bracket ⑧ on the floor.

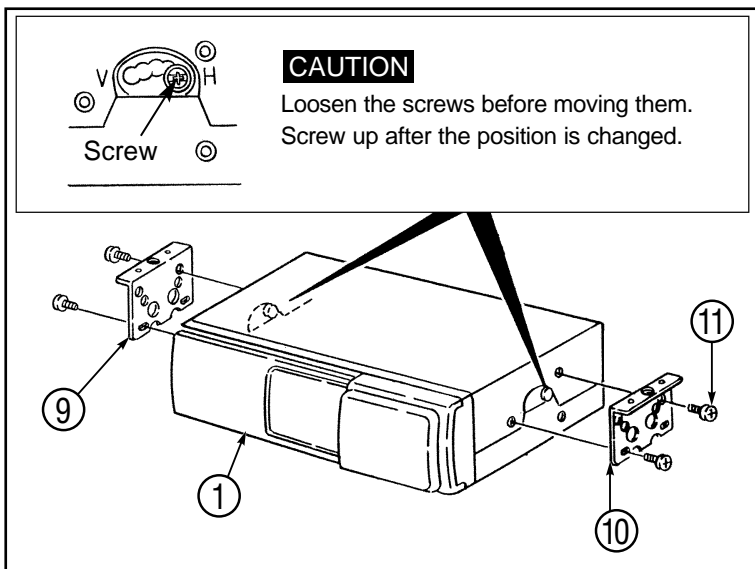


Fig. 26

15. Install the side brackets ⑨ and ⑩ to the changer unit ①.
  - ⑪: Bolt (M5x8) (4x)

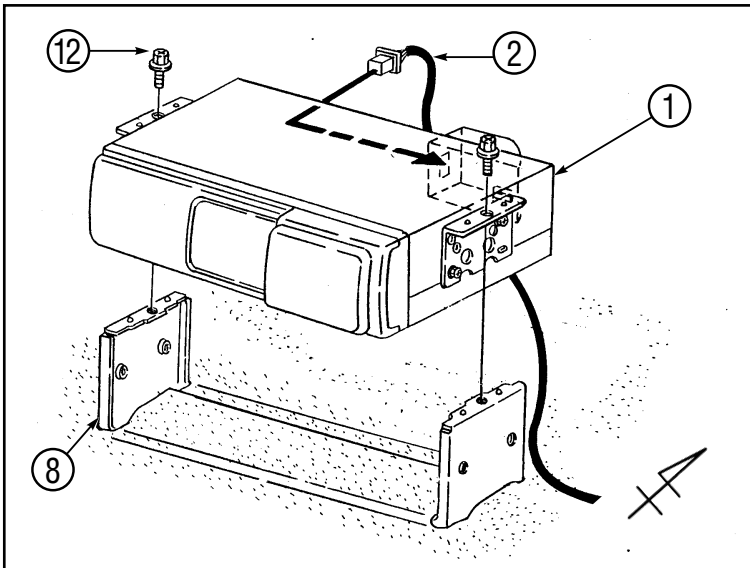


Fig. 27

- 16.
- a) Connect the changer wire ② to the changer unit ①.
  - b) Install the changer unit ① to the base bracket ⑧.
- ⑫: Bolt ( M5x10) (2x)



### 3. SEAT MOUNTED CD-CHANGER INSTALLATION (passenger seat)

ONLY IN CASE OF VEHICLES WITHOUT TNS-INSTALLATION

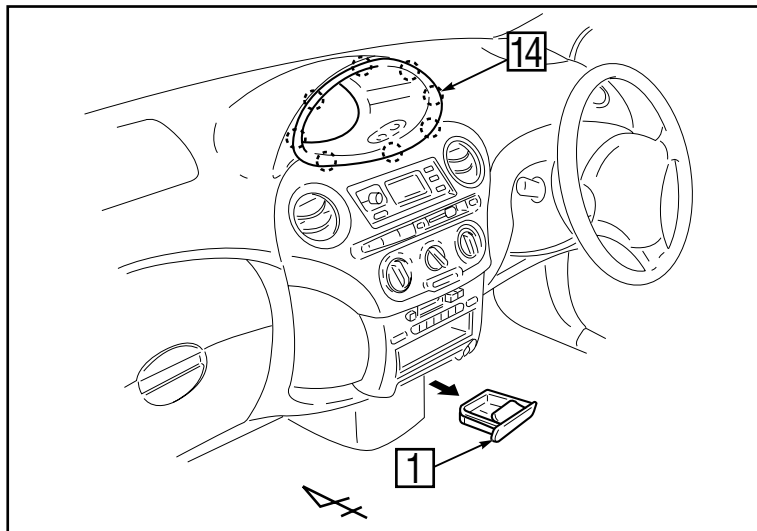


Fig. 28

1.
  - a) Remove the instrument cluster finish panel **14**.  
○: Clip (8x)
  - b) Remove the front ashtray **1**.

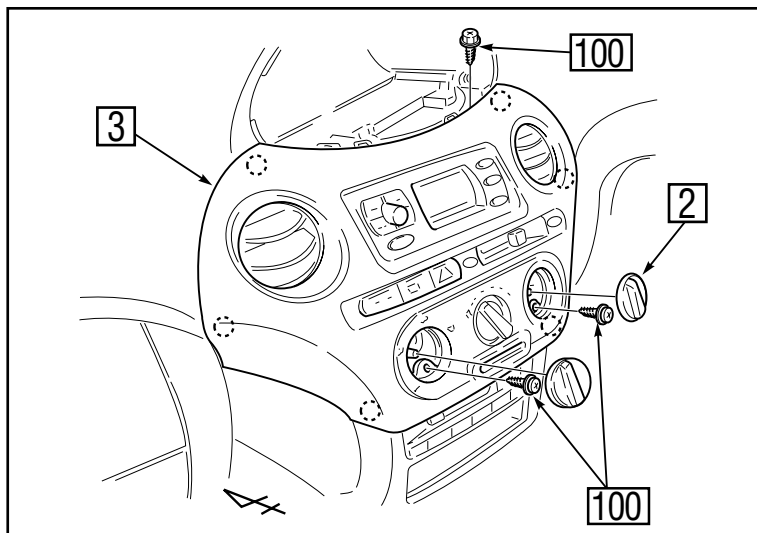


Fig. 29

2.
  - a) Remove the control knobs **2** (2x).  
**100**: Screw (2x)
  - b) Remove the centre cluster panel **3**.  
**100**: Screw (1x)

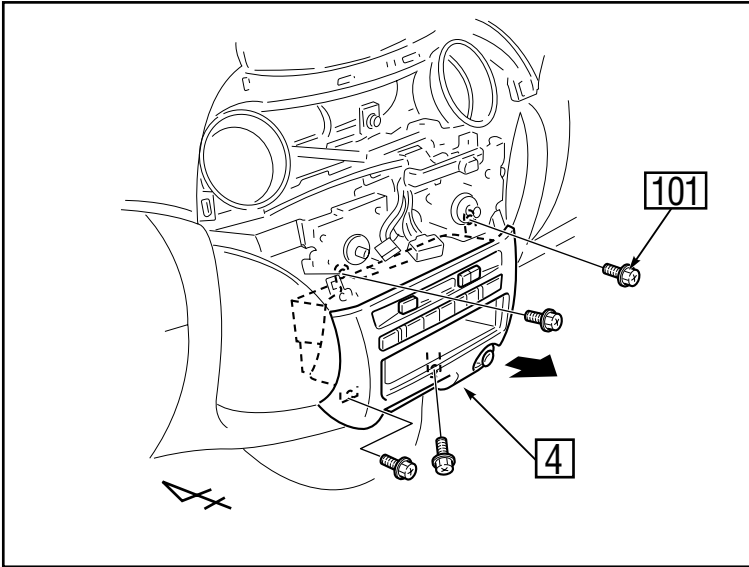


Fig. 30

- 3. Remove the audio assembly **4**.  
**101**: Screw (4x)

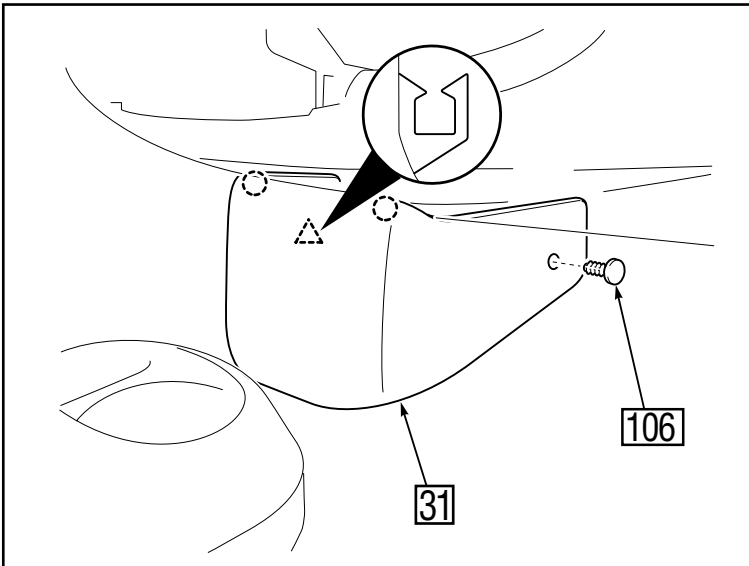


Fig. 31

- 4. Remove the centre lower cover **31**.  
△: Hook (1x)  
○: Clip (2x)  
**106**: Clips (1x)

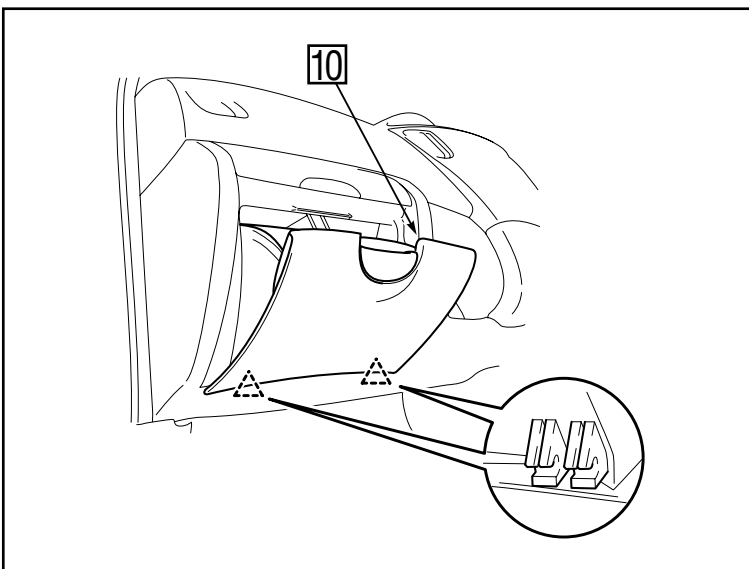


Fig. 32

- 5. Remove the glove compartment door assembly **10**.  
△: Hook (2x)

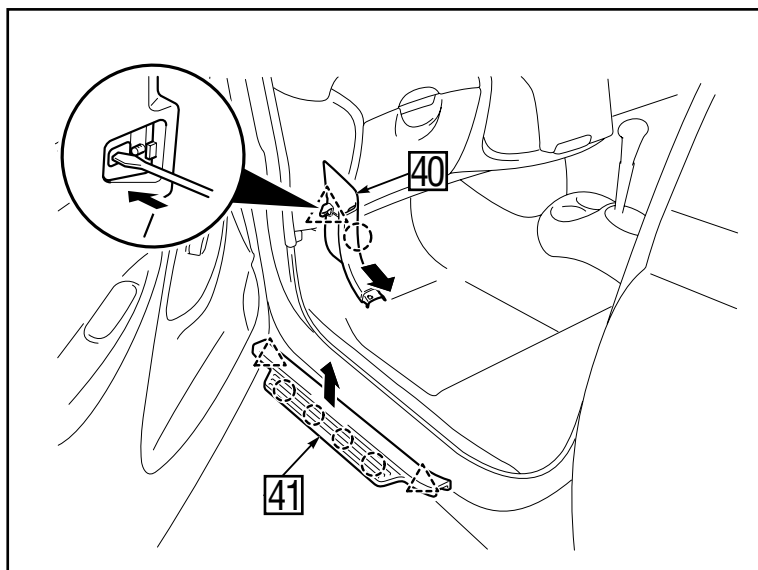


Fig. 33

6.
  - a) Remove the kick panel (L) 40.
    - △: Hook (1x)
    - : Clip (1x)
  - b) Remove the front door scuff plate (L) 41.
    - △: Hook (2x)
    - : Clip (4x)

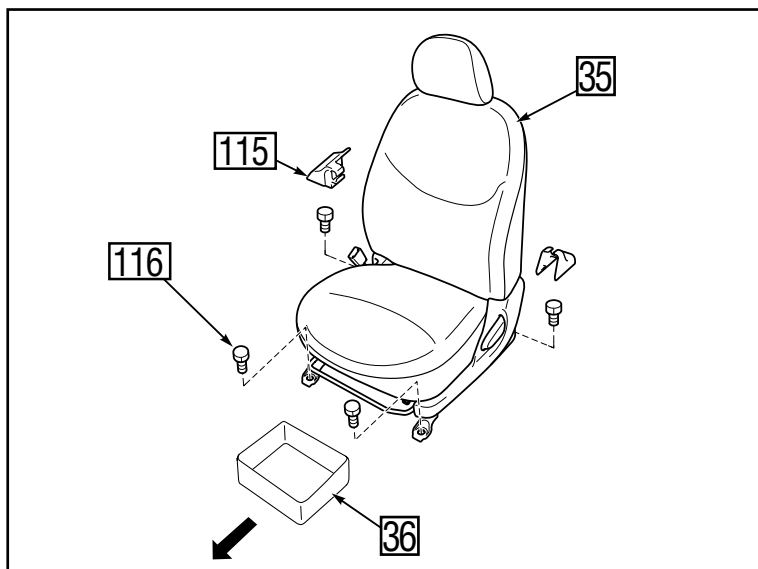


Fig. 34

7. Remove the passenger seat 35.
  - 116: Bolt (4x)
  - 115: Cover (2x)

**NOTE**

Remove and discard the storage box 36 underneath the seat (if equipped).

**CAUTION**

Fasten the bolt with specified torque wrench (25 N.m) when reassembling.

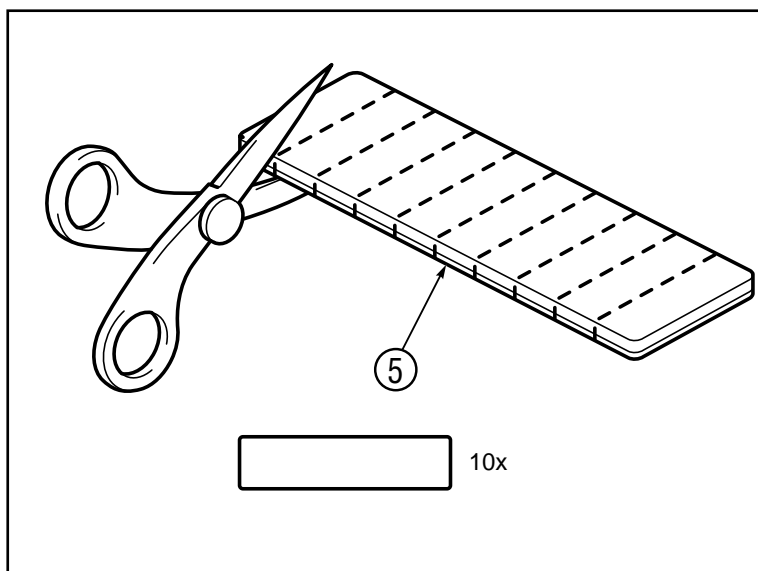


Fig. 35

8. Cut one tape 5 into 10 equal sized pieces.

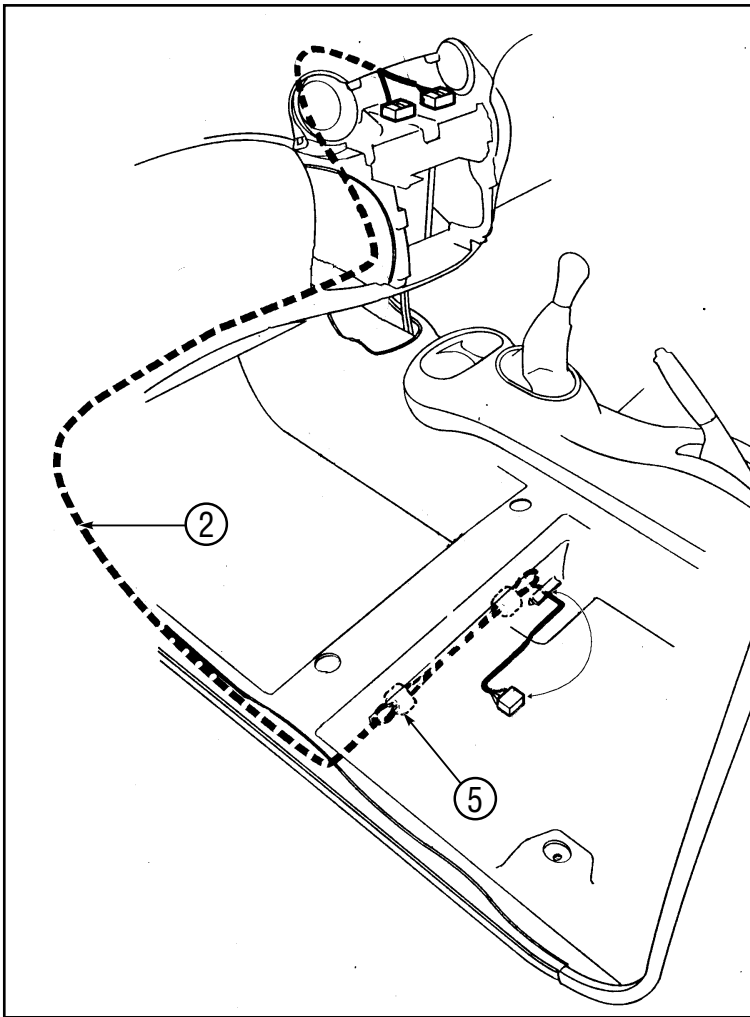


Fig. 36

9. Route and attach the changer wire ② using tape ⑤ .  
⑤: Tape (2x)

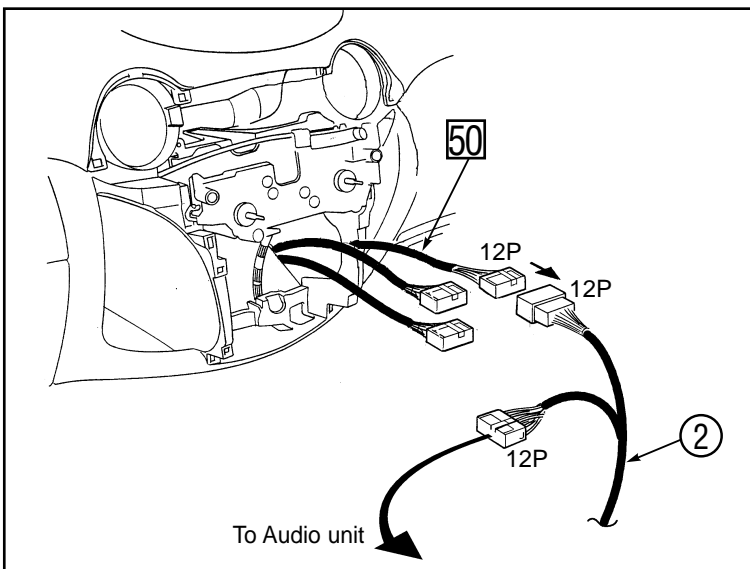


Fig. 37

10.
  - a) Connect the 12P female audio connector of the vehicle wire harness ⑤⑩ to the 12P male connector of the CD-changer wire ② .
  - b) Connect the 12P female connector of the CD-changer wire ② to the audio unit.

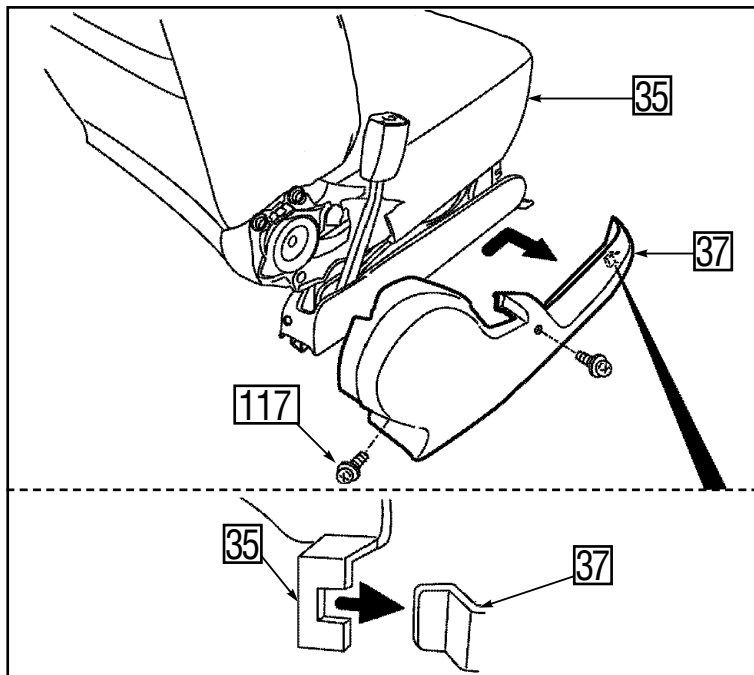


Fig. 38

11. Remove the side cover (R) 37 of the passenger seat 35.  
117: Screw (2x)

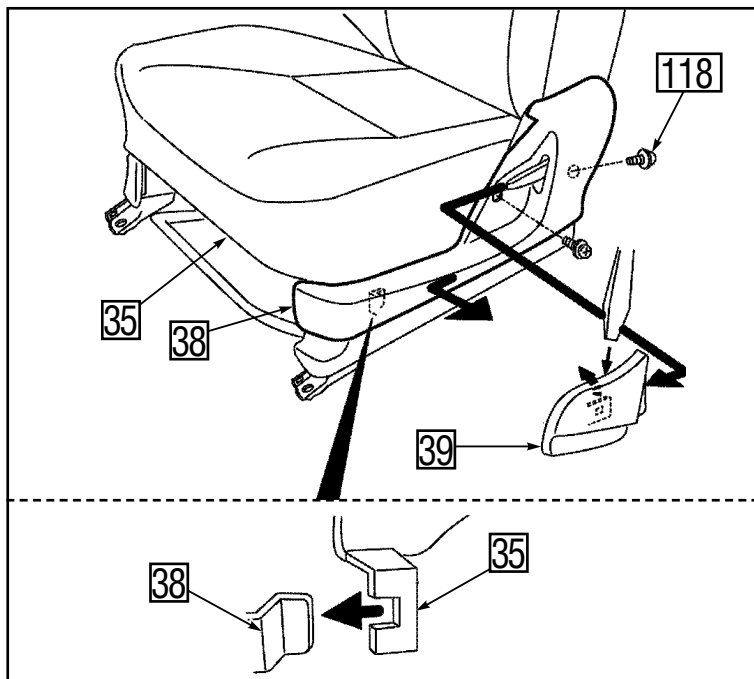


Fig. 39

12. Remove the knob 39 and side cover (L) 38 of the passenger seat 35.  
118: Screw (2x)

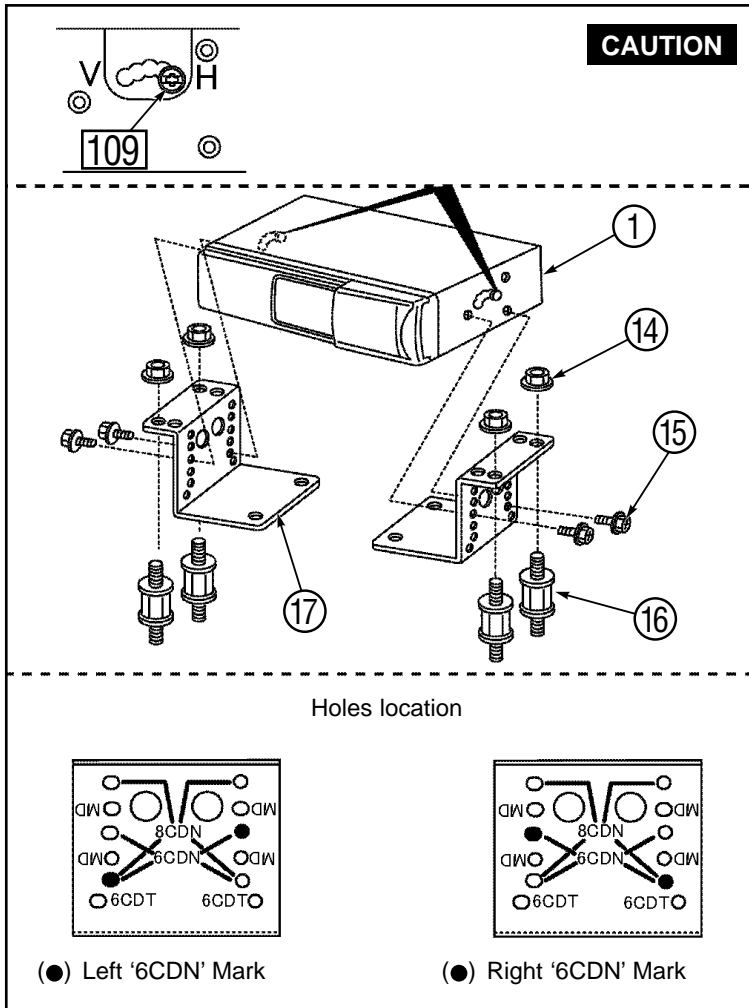


Fig. 40

13. Install the side brackets ⑰ (2x) and dampers ⑯ (4x) onto the CD-changer ① using bolts ⑮ and nuts ⑭.
- ⑮ : Bolt (M5x9) (4x)
  - ⑭ : Nut (M6) (4x)
  - ⑯ : Damper ('N' Mark) (4x)

**CAUTION:**  
Loosen the screws ⑩ before moving them. Screw up after the position is changed.

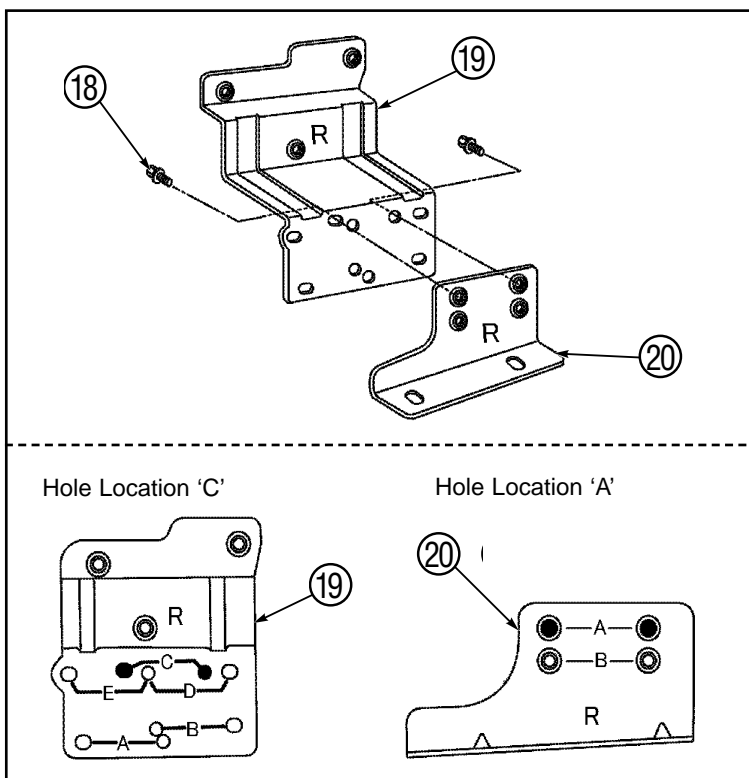


Fig. 41

14. Fit the sub bracket ⑳ (R) to the side bracket ⑲ (R).
- ⑱ : Bolt (M5x9) (2x)

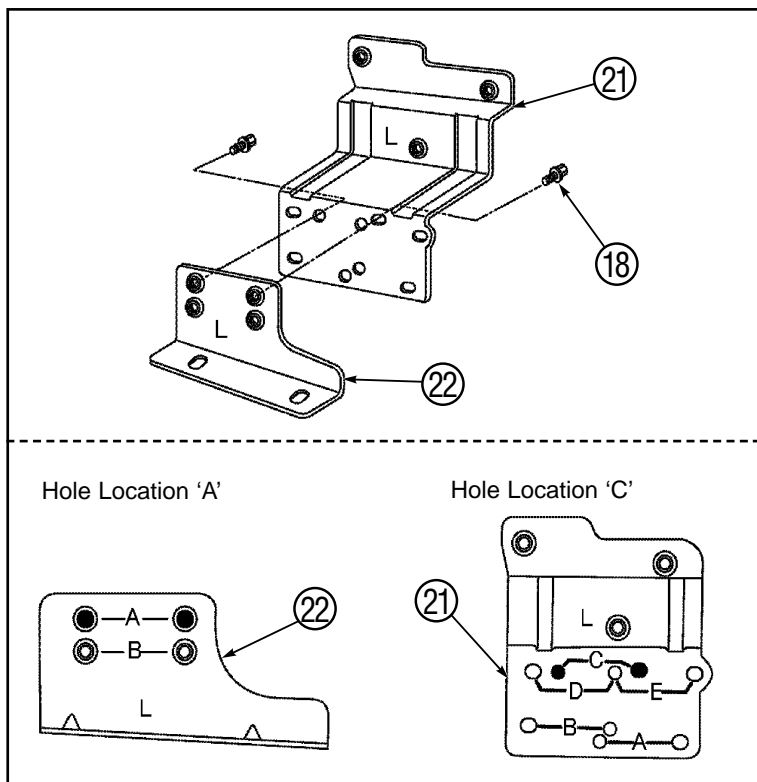


Fig. 42

15. Fit the sub bracket ②② (L) to the side bracket ②① (L).  
 ①⑧ : Bolt (M5x9) (2x)

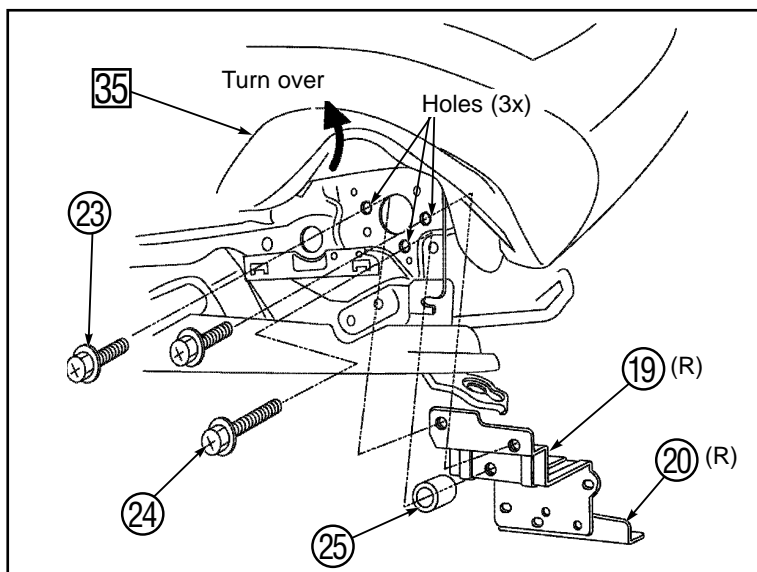


Fig. 43

16.  
 a) Fit the sub bracket ②① (R), side bracket ①⑨ (R) and spacer ②⑤ onto the passenger seat ③⑤ right hand.  
 ②③ : Bolt (M6x12) (2x)  
 ②④ : Bolt (M6x25) (1x)  
 b) Replace the side cover (R) ③⑦ onto the passenger seat ③⑤ right hand (See fig. 38).

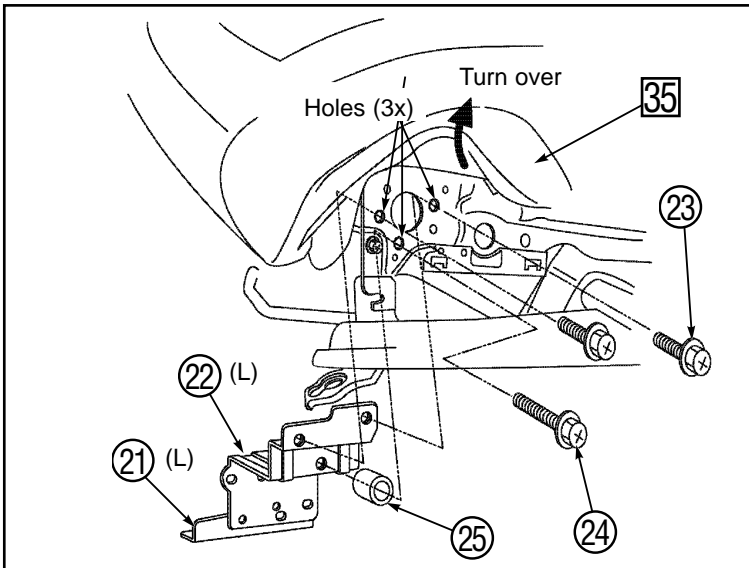


Fig. 44

17.
  - a) Fit the sub bracket (22) (L), side bracket (21) (L) and spacer (25) onto the passenger seat (35) left hand.
    - (23): Bolt (M6x12) (2x)
    - (24): Bolt (M6x25) (1x)
  - b) Replace the side cover (L) (38) and knob (39) onto the passenger seat (35) left hand (See fig.39).

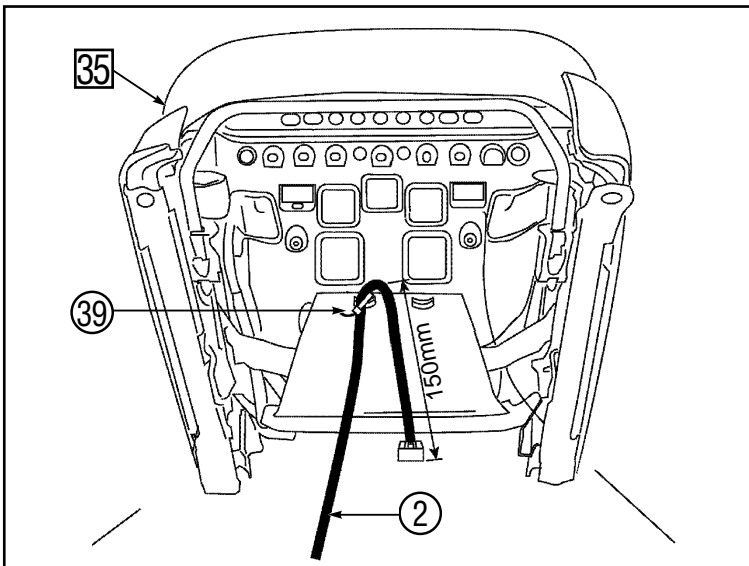


Fig. 45

18. Route the changer wire (2) using a wire tie (39).
  - (39): Wire tie (1x)

**CAUTION**

Check that the wire (2) is not stressed when the seat (35) is moved to the most front or the most rear position.

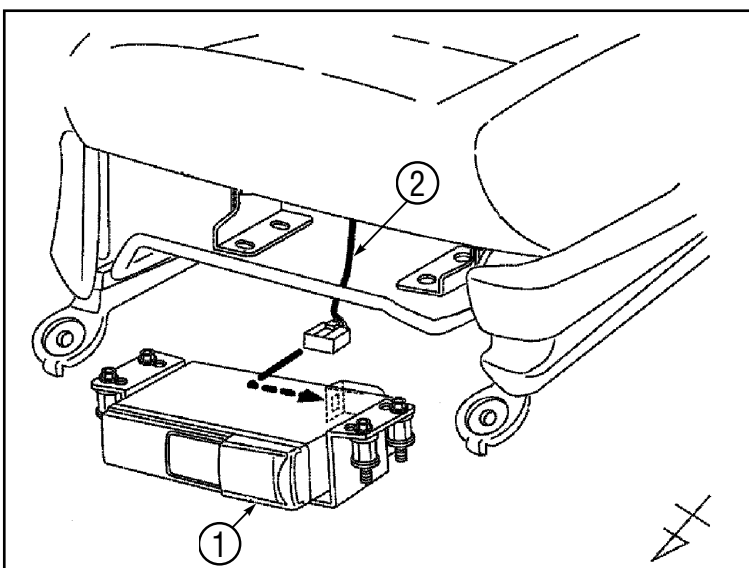
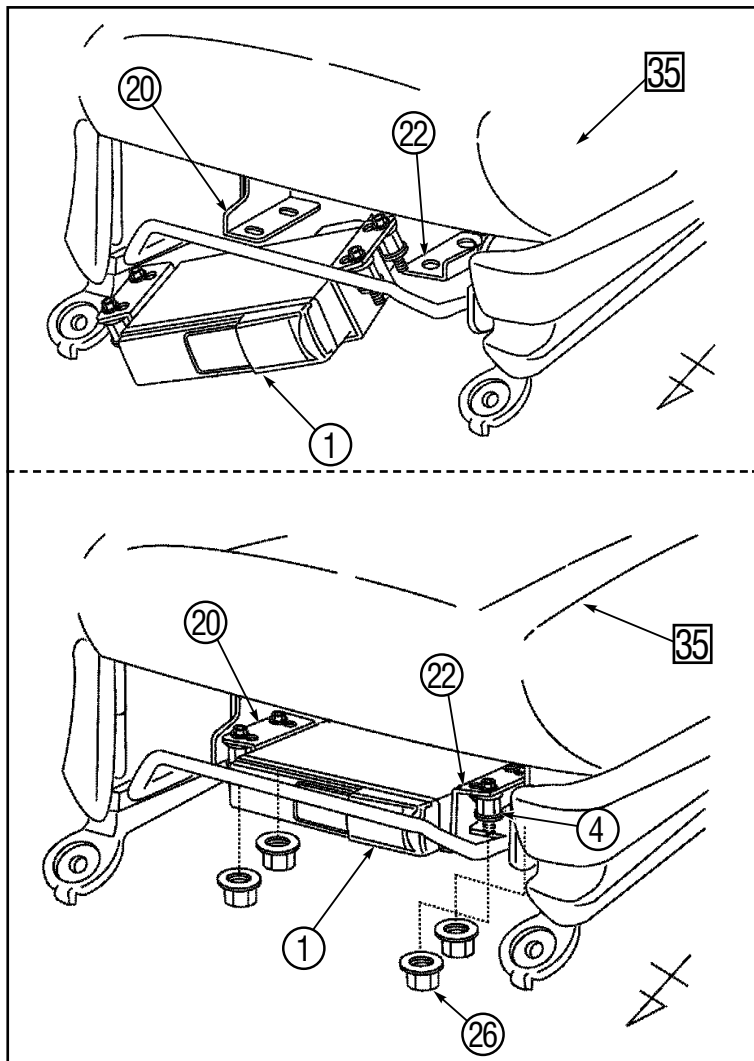


Fig. 46

19. Connect the changer wire (2) to the CD-changer (1).






20. Fit the CD-changer ① to the sub brackets ② (R) + ② (L), under the passenger seat ③ using nuts ④.
- ④: Nut (M6) (4x)

Fig. 47

**ENSURE THAT ALL REMOVED CONNECTORS ARE PUT BACK CORRECTLY.  
REFIT THE TRIM AND REMOVED PARTS.**

**5. SUBWOOFER INSTALLATION** **PZ426-B0250-00** 

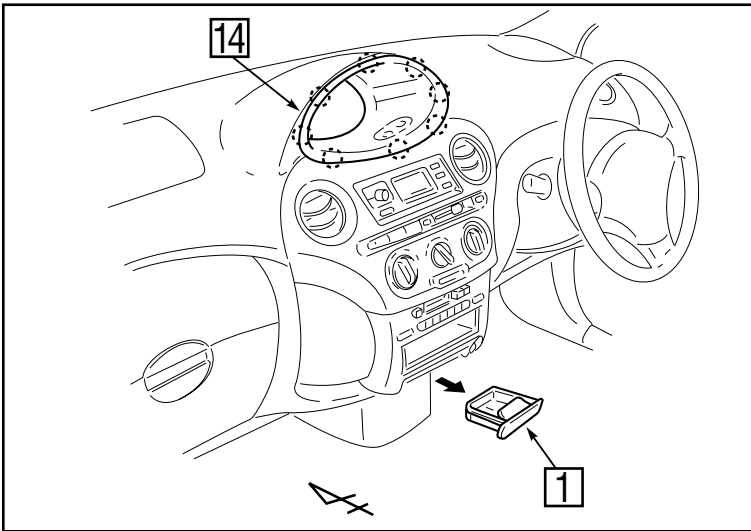


Fig. 48

1.
  - a) Remove the instrument cluster finish panel **14**.
  - : Clip (8x)
  - b) Remove the front ashtray **1**.

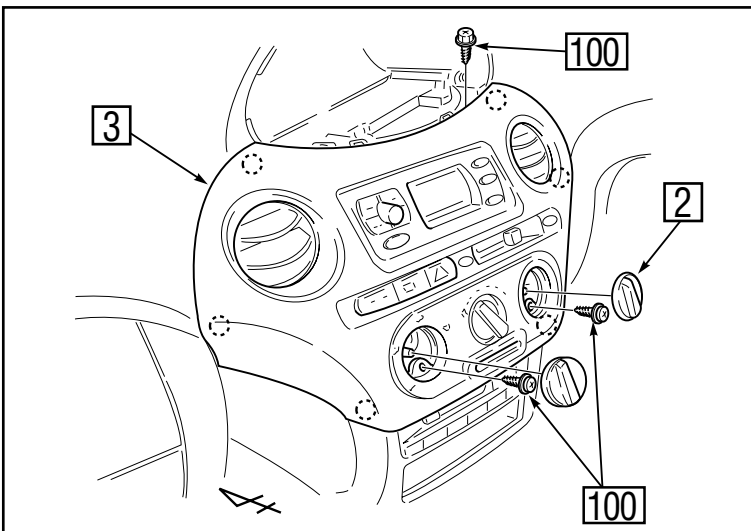


Fig. 49

2.
  - a) Remove the control knobs **2** (2x).
  - 100**: Screw (2x)
  - b) Remove the centre cluster panel **3**.
  - 100**: Screw (1x)

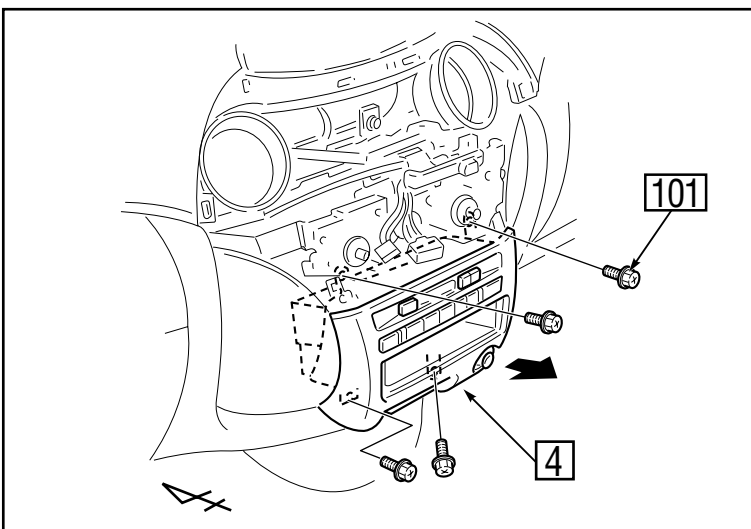


Fig. 50

3. Remove the audio assembly **4**.
- 101**: Screw (4x)

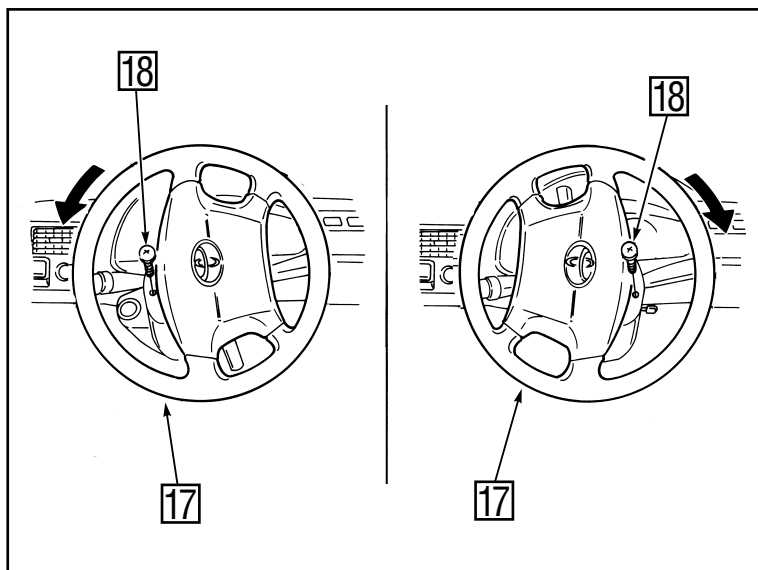


Fig. 51

4.
  - a) Turn the steering wheel 17 to the left, then remove the screw 18.
  - b) Turn the steering wheel 17 to the right, then remove the screw 18.

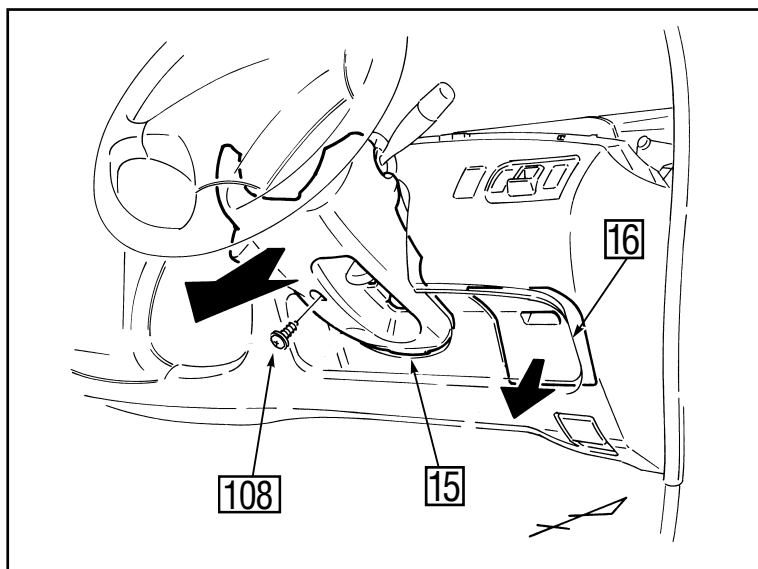


Fig. 52

5.
  - a) Remove the fuse box cover 16.
  - b) Remove the lower steering column cover 15.

108 : Screw (1x)

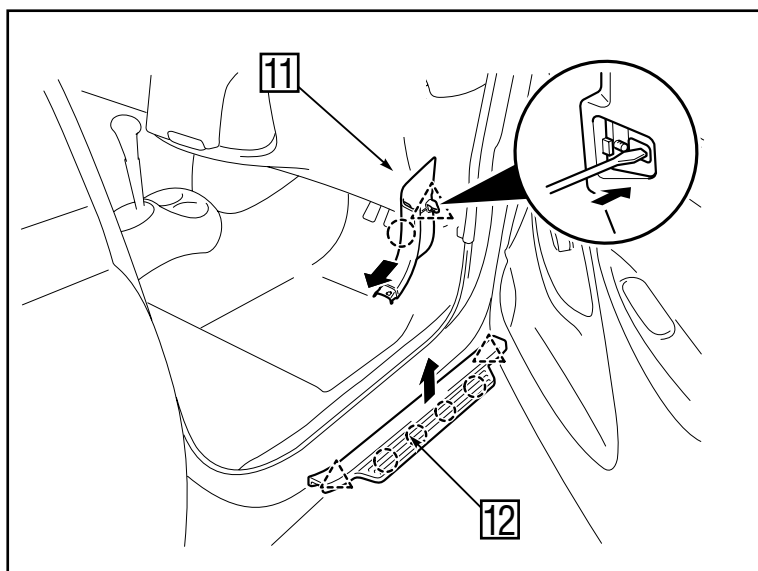


Fig. 53

6.
  - a) Remove the kick panel (R) 11.
    - △: Hook (1x)
    - : Clip (1x)
  - b) Remove the front door scuff plate (R) 12.
    - △: Hook (2x)
    - : Clip (4x)

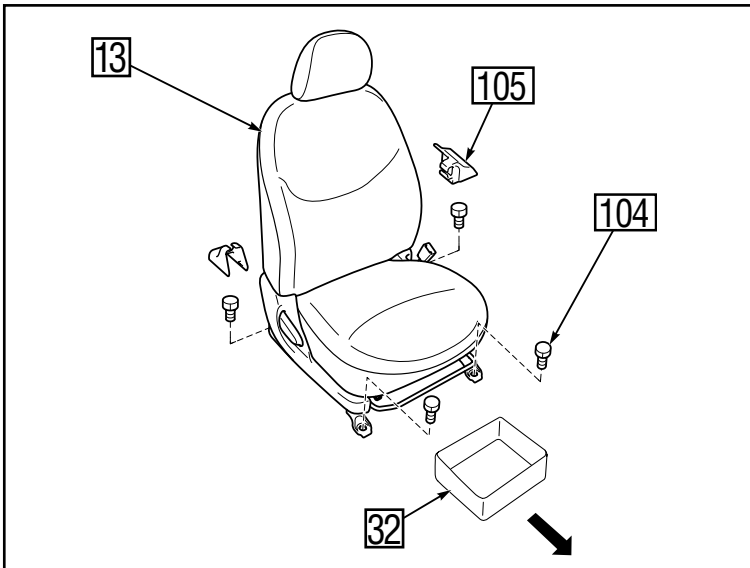


Fig. 54

7. Remove the driver seat 13.

104: Bolt (4x)

105: Cover (2x)

**NOTE**

Remove and discard the storage box 32 underneath the seat (if equipped).

**CAUTION**

Fasten the bolt with specified torque wrench (25 N.m) when reassembling.

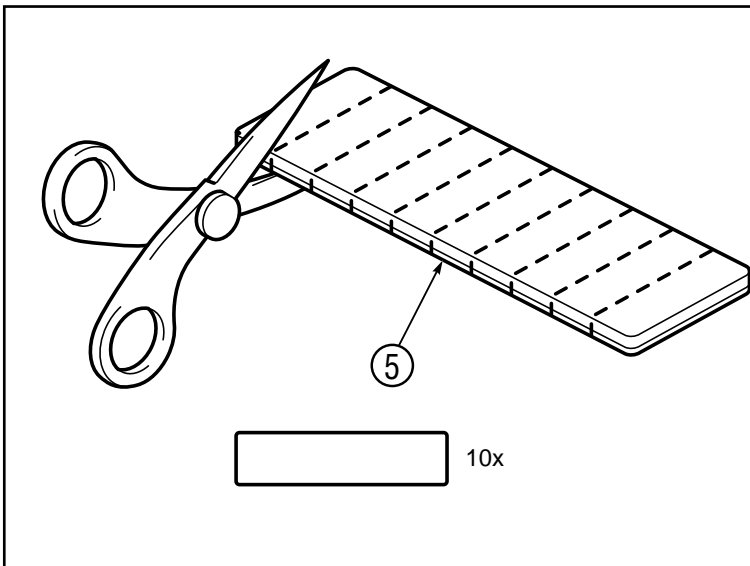


Fig. 55

8. Cut one tape 5 into 10 equal sized pieces.

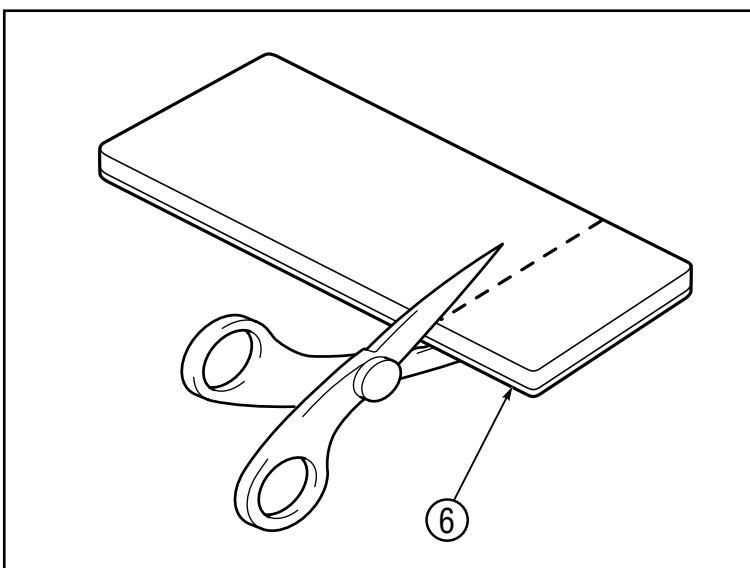


Fig. 56

9. Cut 2 pieces butyl tape 6 of 50mm x 80mm.

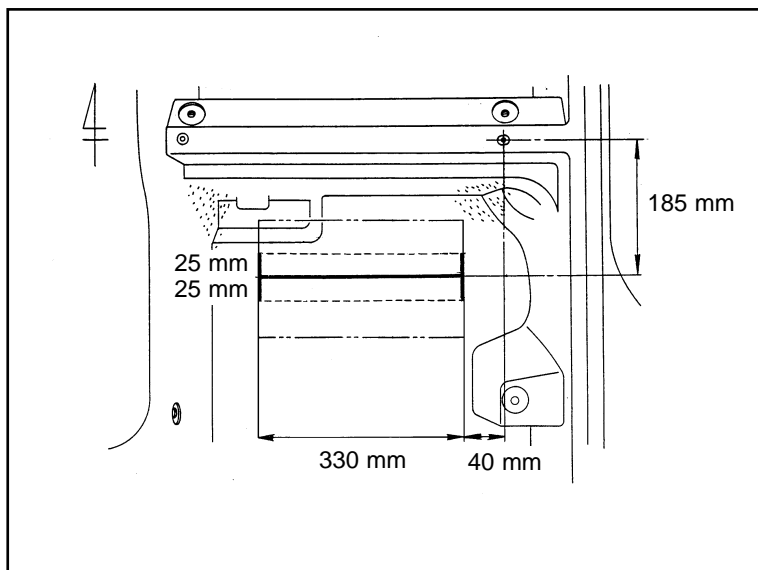


Fig. 57

10.
  - a) Cut the carpet as shown in the illustration.
  - b) Remove the insulation.

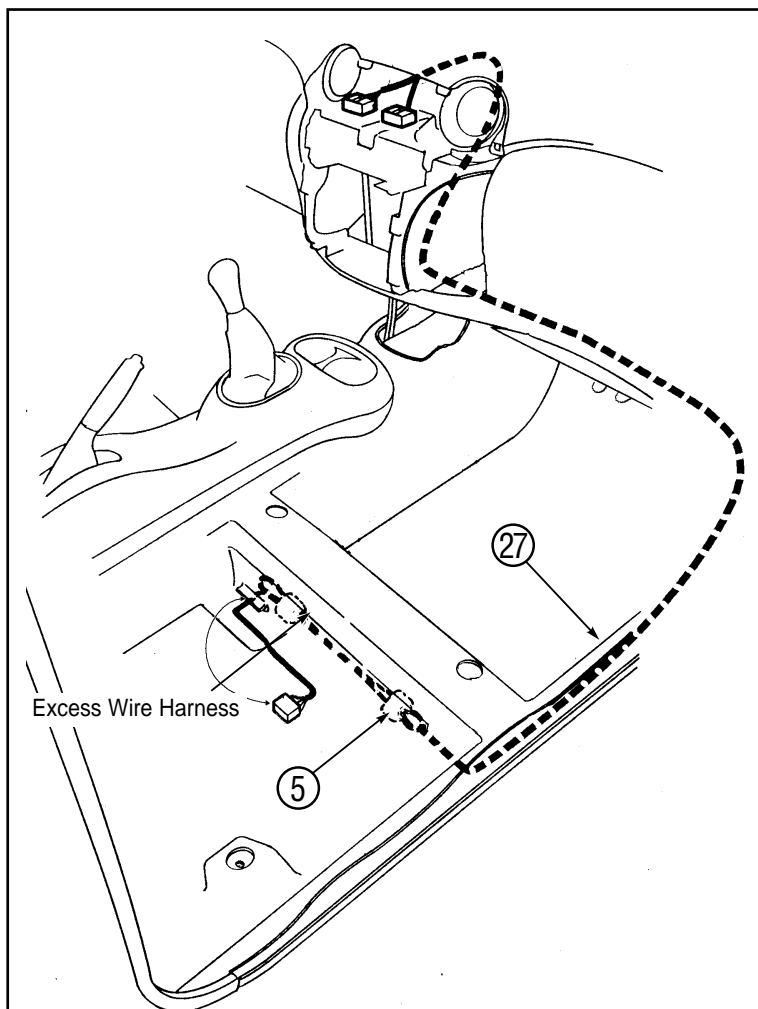


Fig. 58

11.
  - a) Route and attach the subwoofer wire harness ②⑦ using tape ⑤.
  - ⑤: Tape (2x)
  - b) Connect the subwoofer wire harness ②⑦ to the 10P audio connector of the vehicle wire harness.

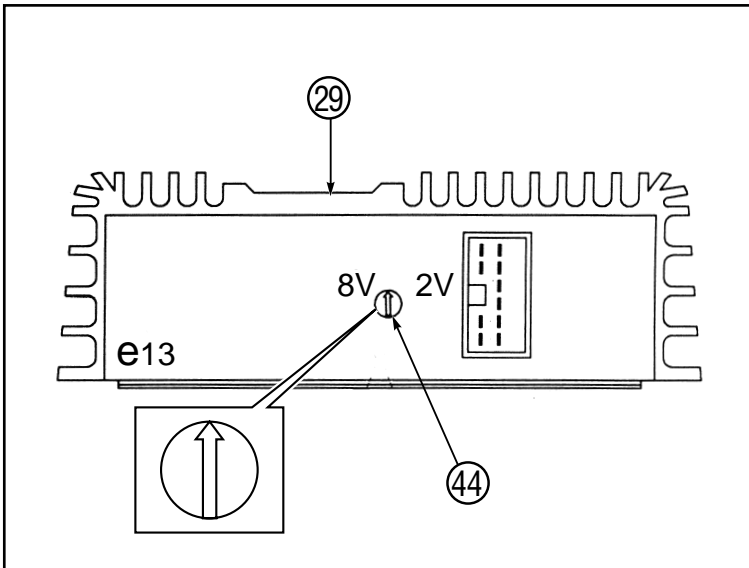


Fig. 59

12. Before installing the subwoofer ②⑨ adjust the sensitivity ④④ to the mid position.

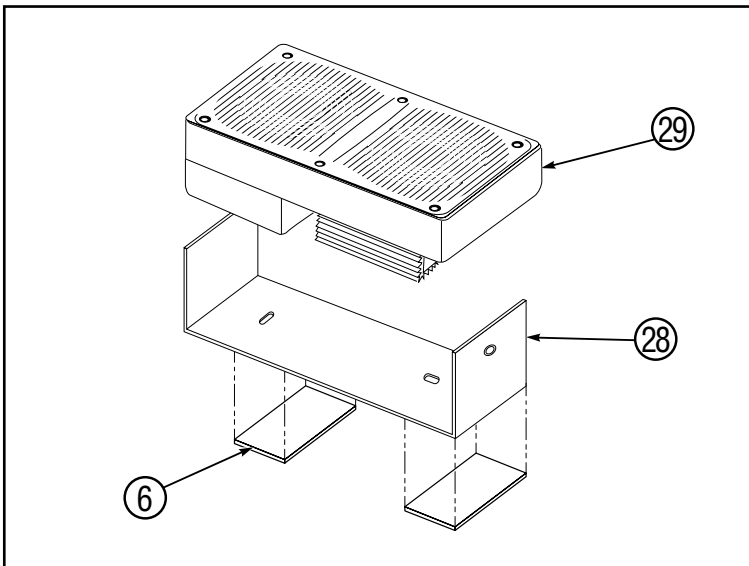


Fig. 60

13.
  - a) Install the base bracket ②⑧ on the indicated position with butyl tape ⑥.
  - b) Install the subwoofer ②⑨ to the base bracket ②⑧.
  - c) Connect the subwoofer ②⑨.

**ENSURE THAT ALL REMOVED CONNECTORS  
ARE PUT BACK CORRECTLY.  
REFIT THE TRIM AND REMOVED PARTS.**

## 6. TWEETERS INSTALLATION

PZ426-T0240-00

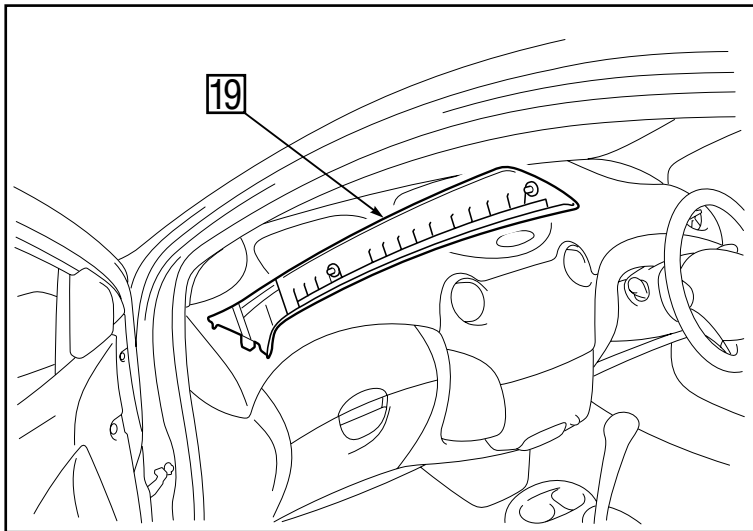


Fig. 61

1. Remove the front pillar garnish (L) 19.  
○: Clip (2x)

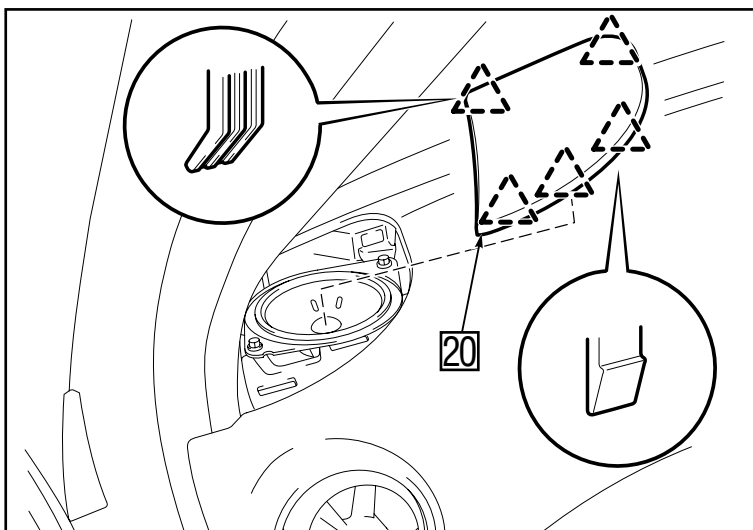


Fig. 62

2. Remove the speaker grill (L) 20.  
△: Hook (5x)

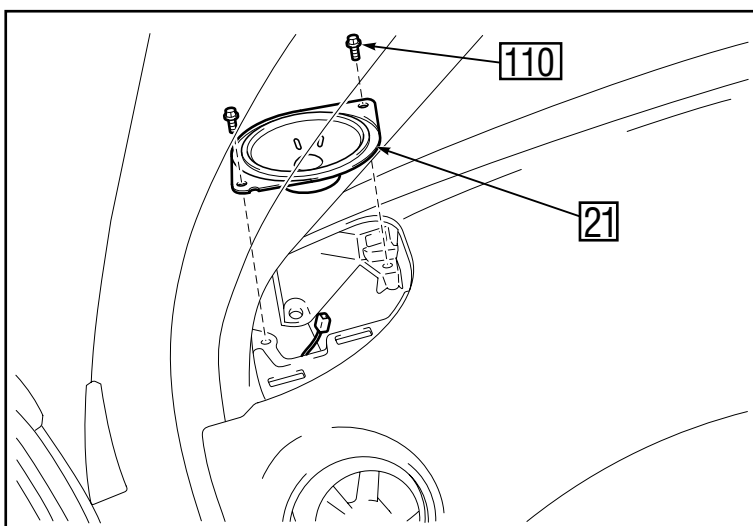


Fig. 63

3. Remove the instrument panel speaker (L) 21.  
110: Screw (2x)

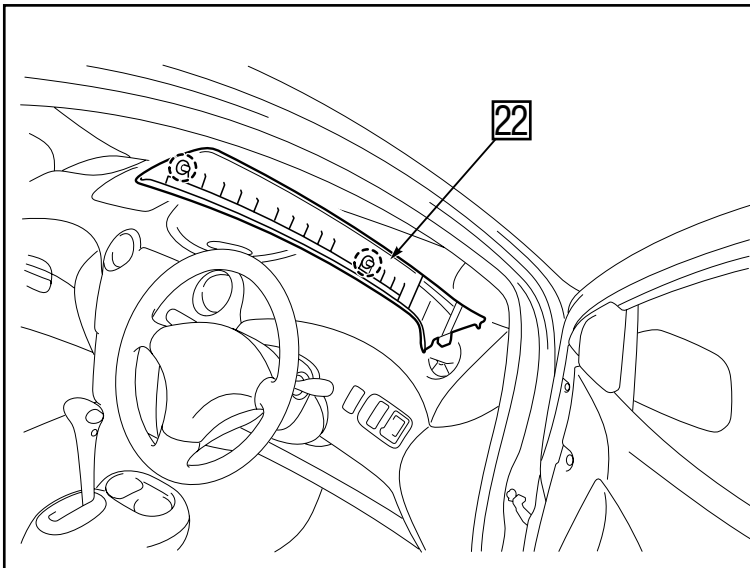


Fig. 64

4. Remove the front pillar garnish 22 (R).  
 ○ : Clip (2x)

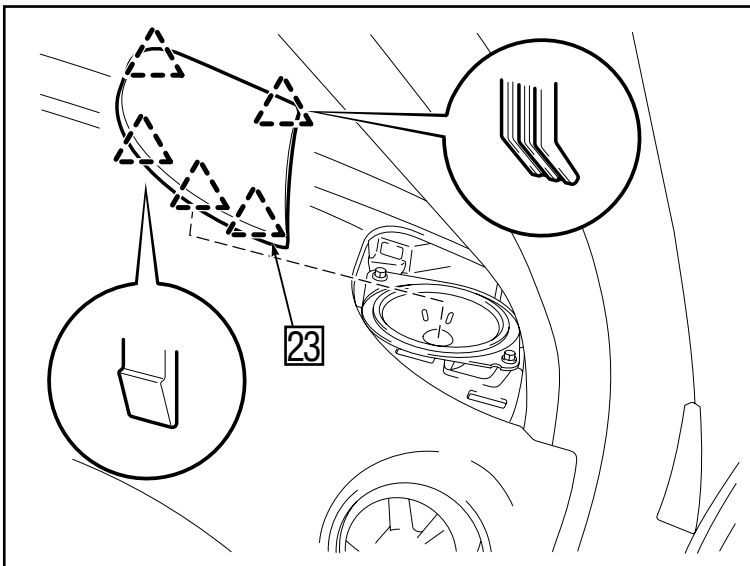


Fig. 65

5. Remove the speaker grill (R) 23.  
 △ : Hook (5x)

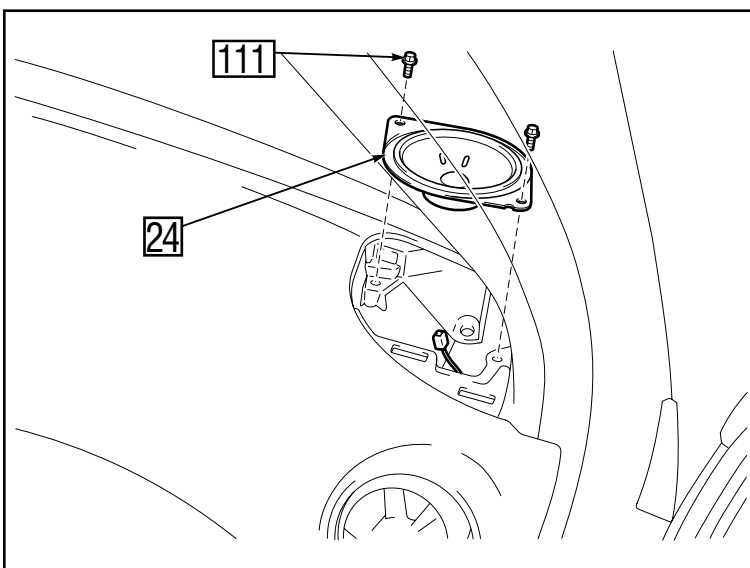


Fig. 66

6. Remove the instrument panel speaker (R) 24.  
 111 : Screw (2x)



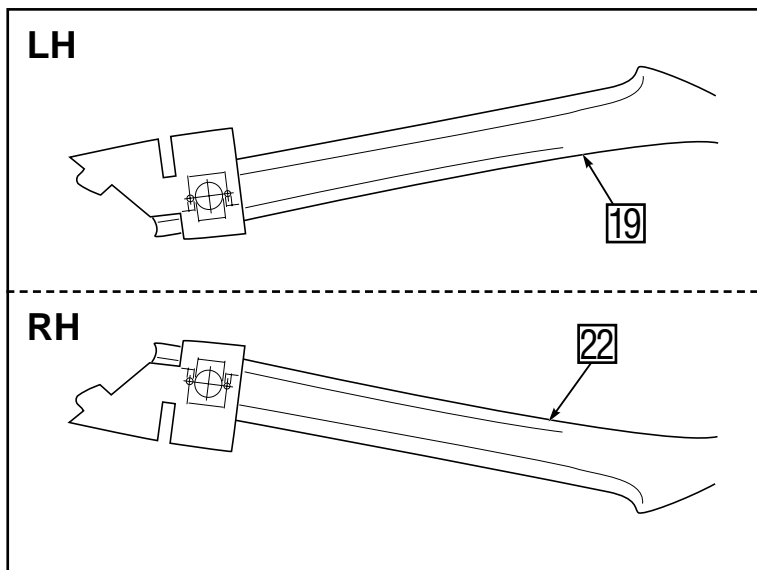


Fig. 67

7.
  - a) Cut out the template (L) and put it on the A-pillar cover (L) 19. Drill 2 holes of  $\varnothing$  7 mm. Drill a hole of  $\varnothing$  32mm.
  - b) Cut out the template (R) and put it on the A-pillar cover (R) 22. Drill 2 holes of  $\varnothing$  7 mm. Drill a hole of  $\varnothing$  32 mm.

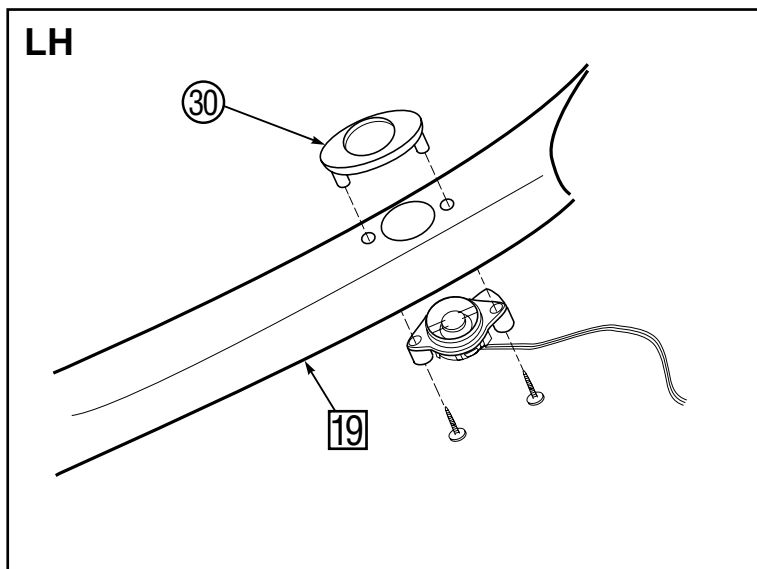


Fig. 68

8.
  - a) Install the tweeter 30 on the A-pillar cover (L) 19.
  - b) Mount the A-pillar cover (L) 19 on the vehicle.

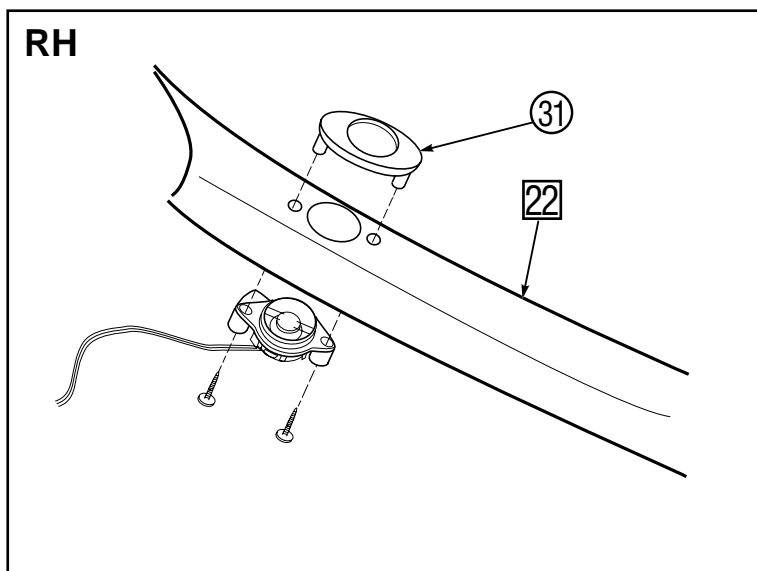


Fig. 69

9.
  - a) Install the tweeter 31 on the A-pillar cover (R) 22.
  - b) Mount the A-pillar cover (R) 22 on the vehicle.

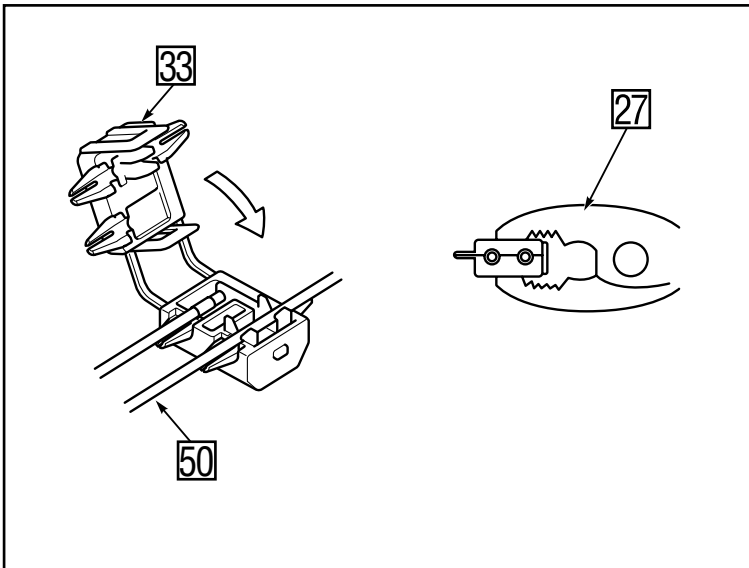


Fig. 70

**WIRE SPLICING CONNECTOR INSTRUCTIONS**

10.
  - a) Remove appropriate amount of tape wrapping the vehicle side harness to be connected.
  - b) Insert the vehicle harness 50 to be connected securely into the guide slit.
  - c) After inserting the vehicle side harness into the guide slit, fix the splicing connector 33, and lock it securely using a plier 27 until the connector clicks.

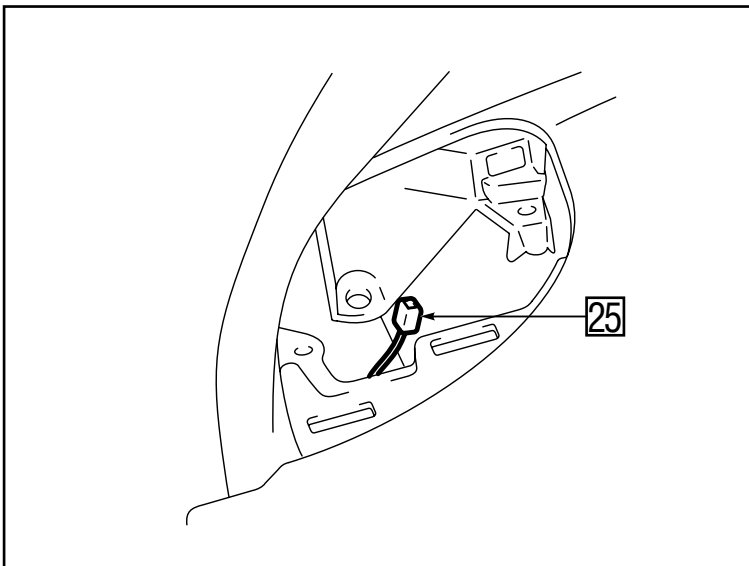


Fig. 71

11. Locate the 2P speaker connector (white) 25 (L).

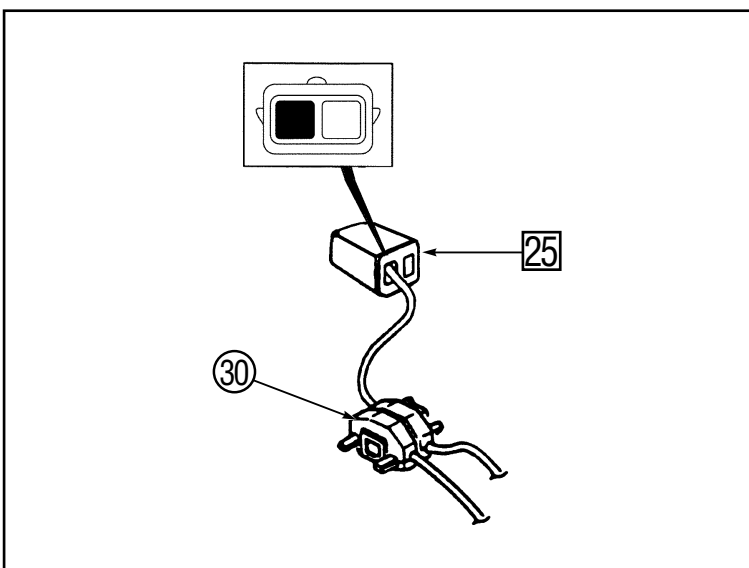


Fig. 72

12.
  - a) Turn the connector 25 so that the wires face you.
  - b) Connect the red/black wire of the tweeter 30 to the violet wire of the wire harness 25.

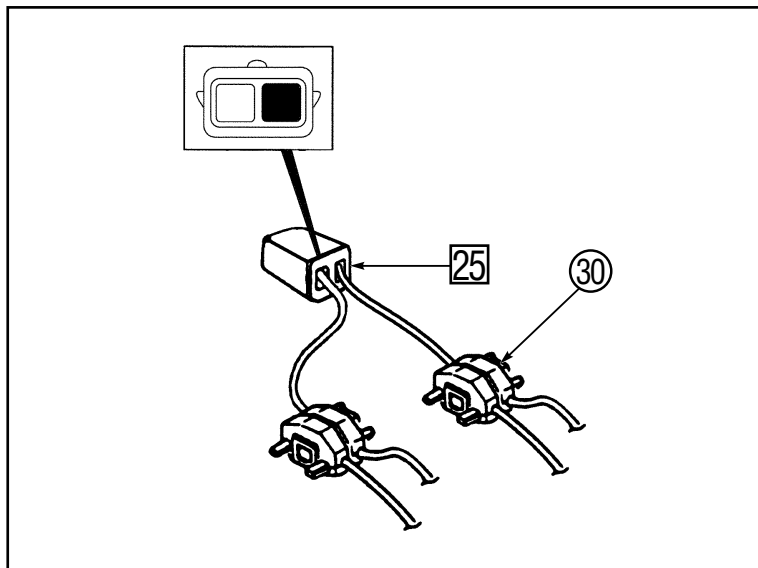


Fig. 73

13. Connect the red wire of the tweeter ③⑩ to the pink wire of the wire harness ②⑤.

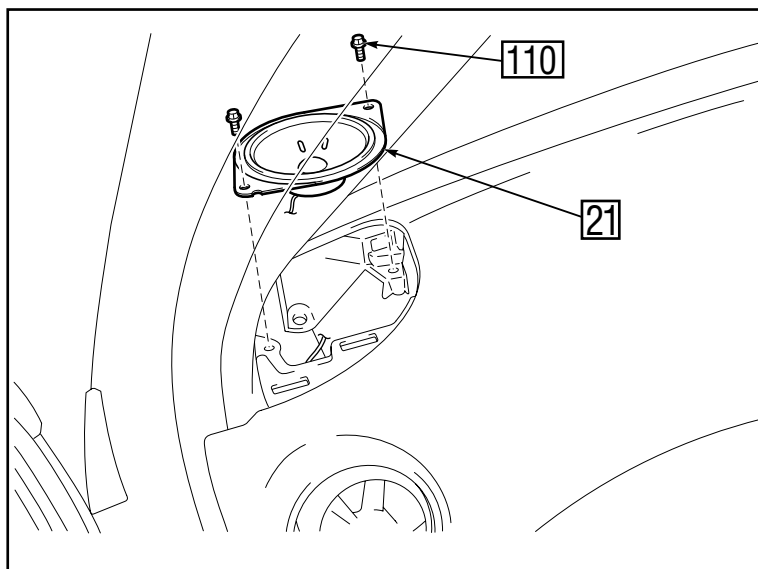


Fig. 74

14. Refit the instrument panel speaker (L) ②①.  
①①①: Screw (2x)

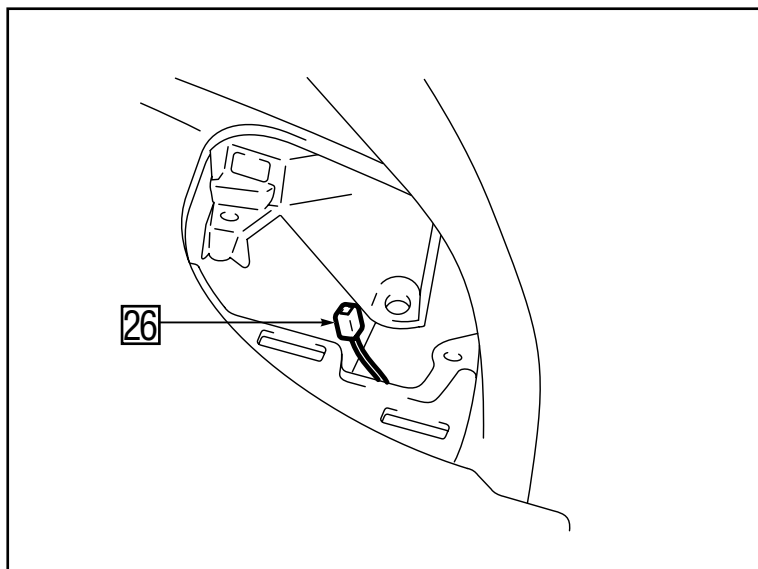


Fig. 75

15. Locate the 2P speaker connector (white) ②⑥ (R).

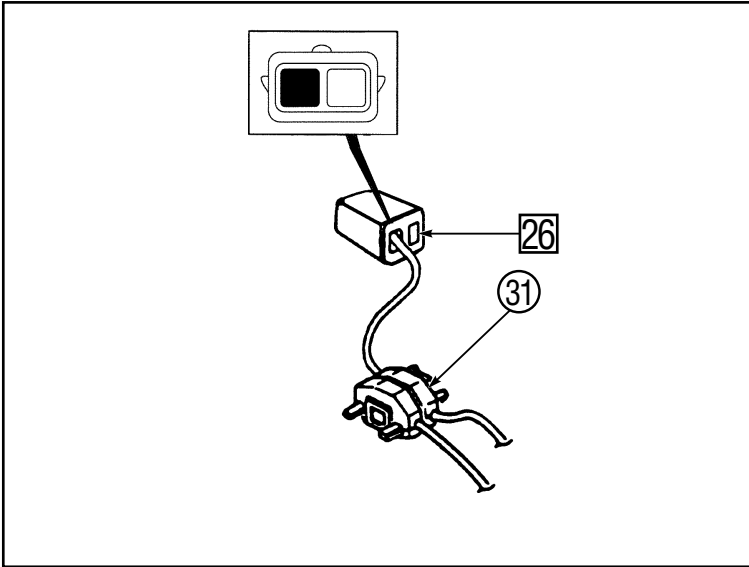


Fig. 76

16.
  - a) Turn the connector 26 so that the wires face you.
  - b) Connect the red/black wire of the tweeter 31 to the blue wire of the wire harness 26.

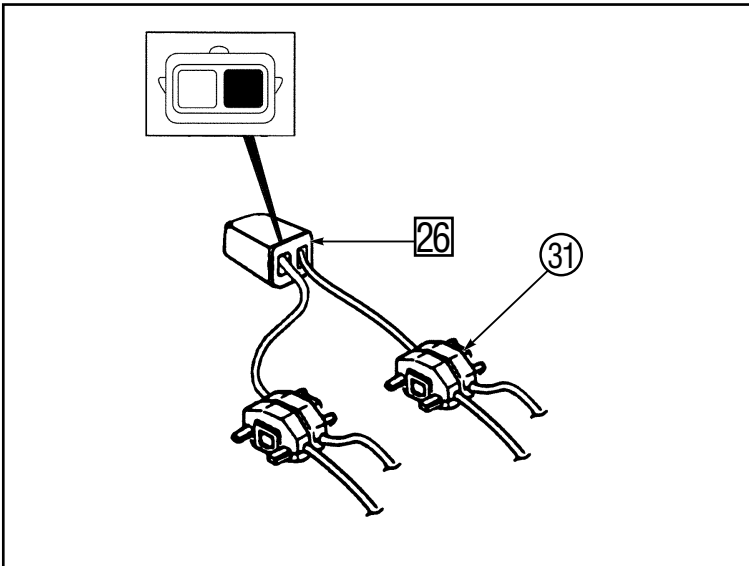


Fig. 77

17. Connect the red wire of the tweeter 31 to the light green wire of the wire harness 26.

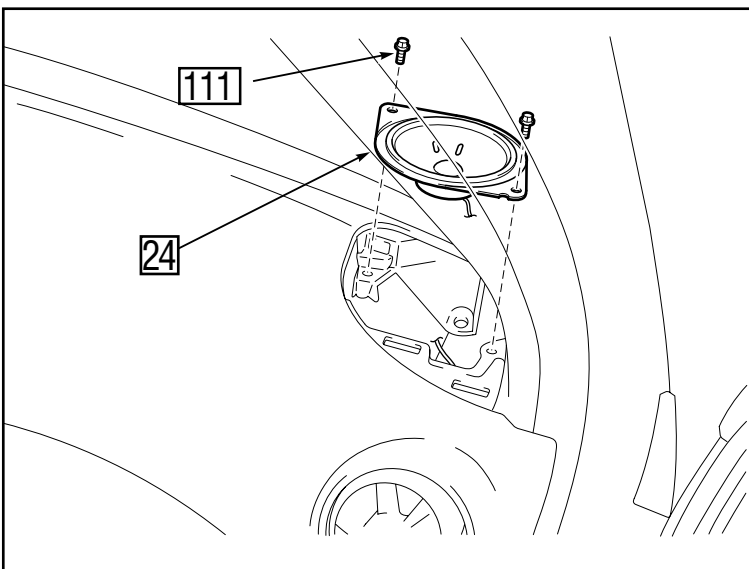


Fig. 78

18. Refit the instrument panel speaker (R) 24.  
 111: Screw (2x)

**7. REAR SPEAKERS INSTALLATION** **PZ426-P0240-00** 

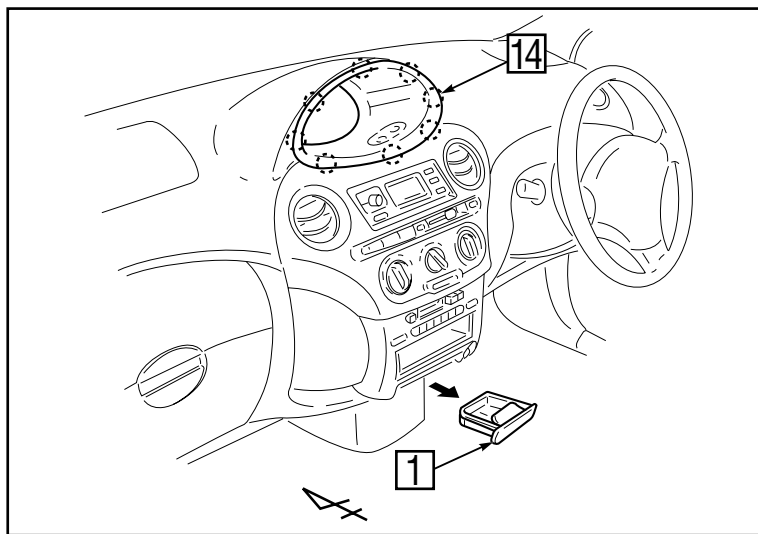


Fig. 79

1.
  - a) Remove the instrument cluster finish panel **14**.
  - : Clip (8x)
  - b) Remove the front ashtray **1**.

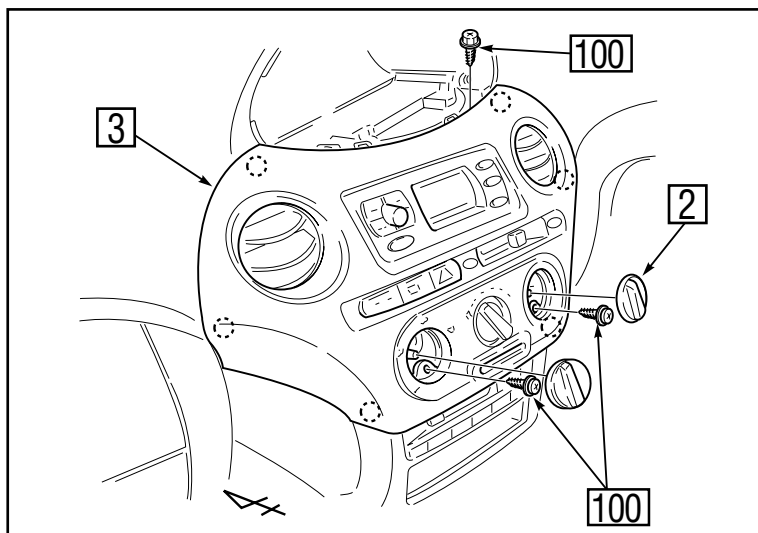


Fig. 80

2.
  - a) Remove the control knobs **2** (2x).
  - 100**: Screw (2x)
  - b) Remove the centre cluster panel **3**.
  - 100**: Screw (1x)

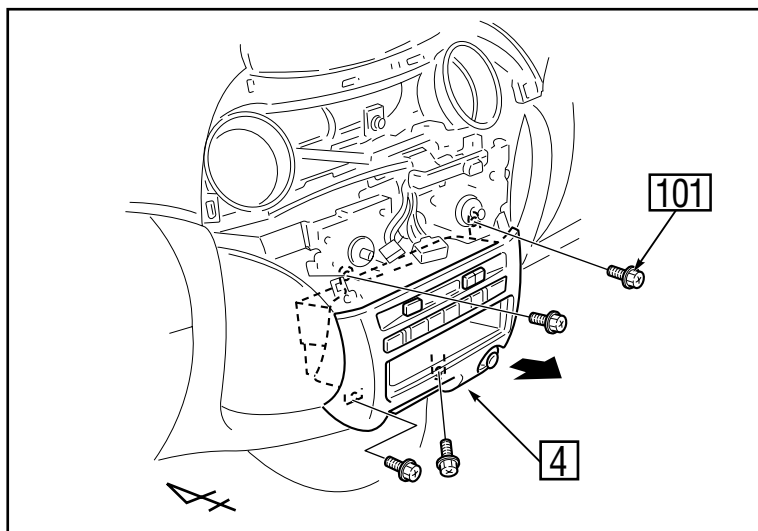


Fig. 81

3. Remove the audio assembly **4**.
- 101**: Screw (4x)

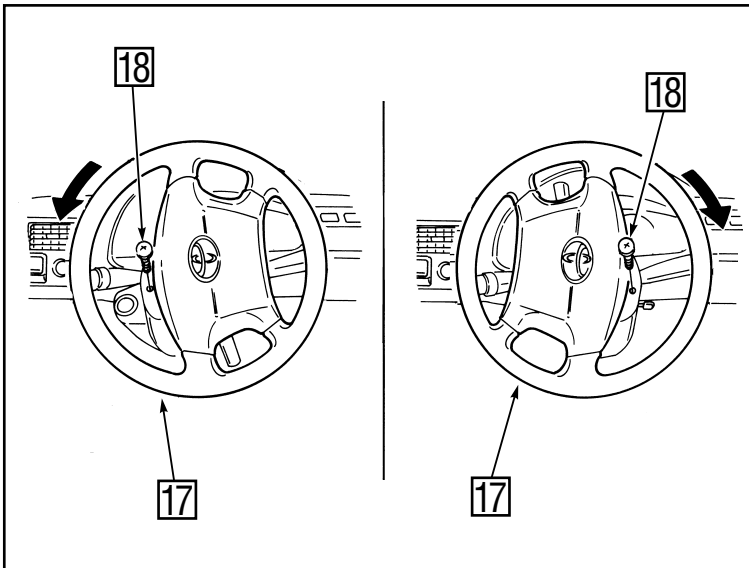


Fig. 82

4.
  - a) Turn the steering wheel 17 to the left, then remove the screw 18.
  - b) Turn the steering wheel 17 to the right, then remove the screw 18.

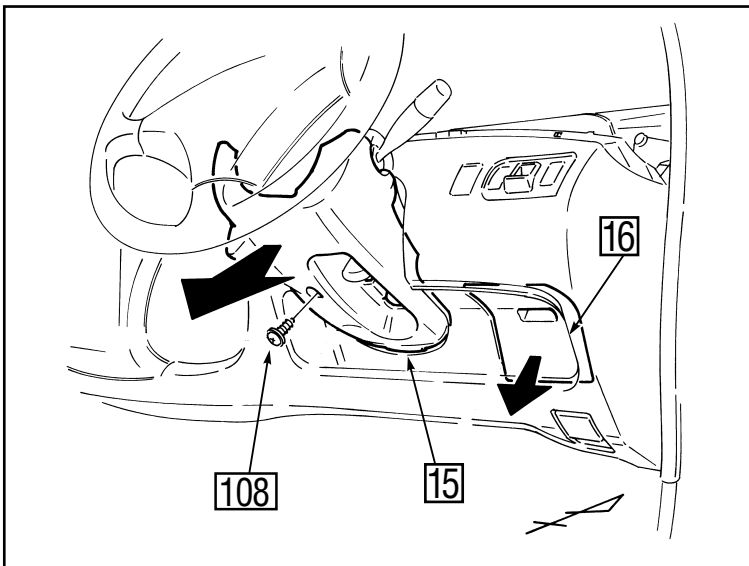


Fig. 83

5.
  - a) Remove the fuse box cover 16.
  - b) Remove the lower steering column cover 15.

108 : Screw (1x)

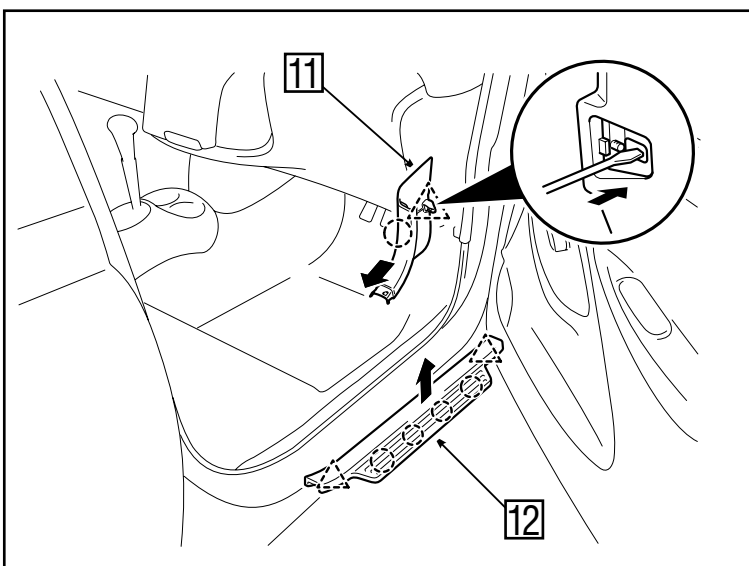


Fig. 84

6.
  - a) Remove the kick panel (R) 11.
    - △: Hook (1x)
    - : Clip (1x)
  - b) Remove the front door scuff plate (R) 12.
    - △: Hook (2x)
    - : Clip (4x)

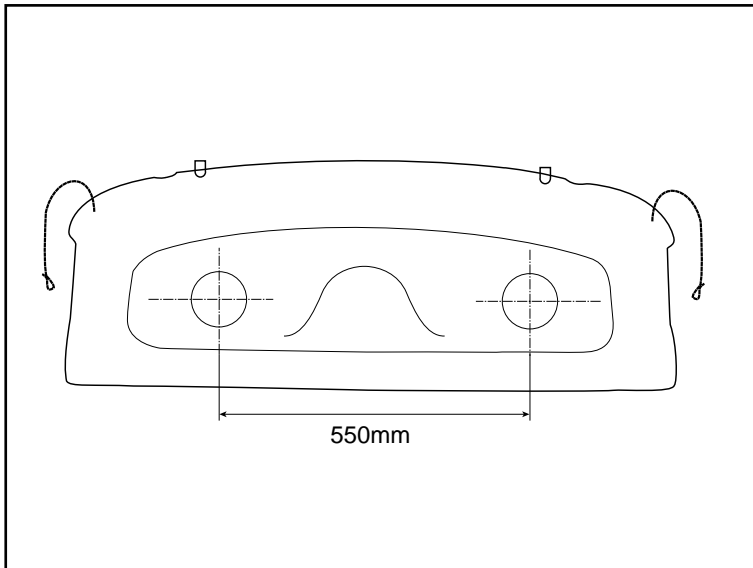


Fig. 85

7.
  - a) Cut the drill hole templates along the border lines.
  - b) Place the template in such way that the centre lines of the holes of the two loudspeakers are at a distance of 550 mm.
  - c) Drill the holes and cut out the holes for the rear speakers.

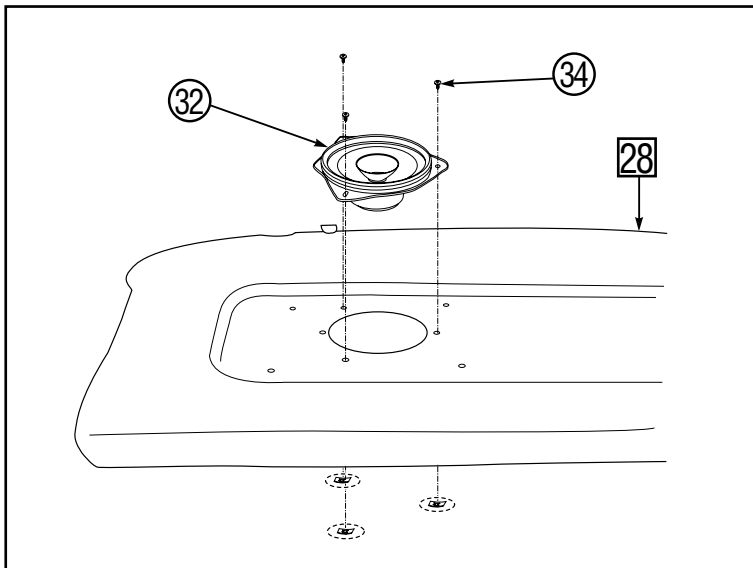


Fig. 86

8. Install the rear speakers (32) on the package tray trim (28) with the screws (34) and clips on both sides.
  - (34): Screw (3x)
  - (○): Clip (3x)

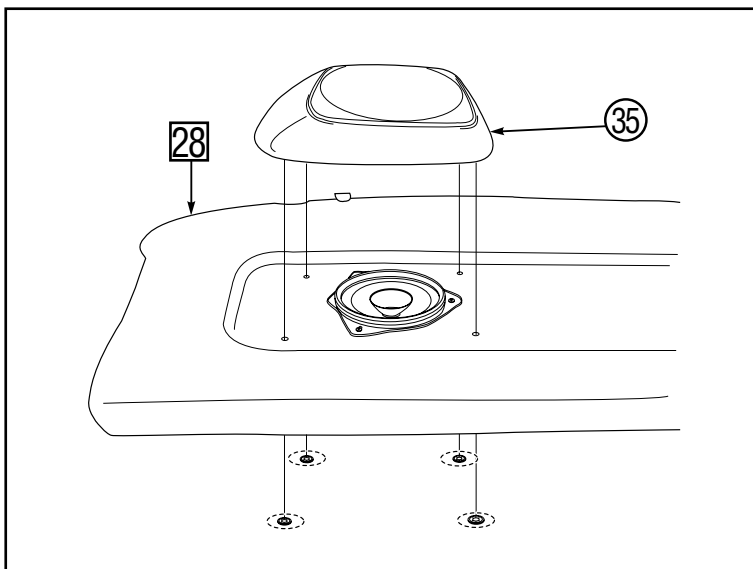


Fig. 87

9. Install the speaker grill (35) on the package tray trim (28) by using the clips.
  - (○): Clip (4x)

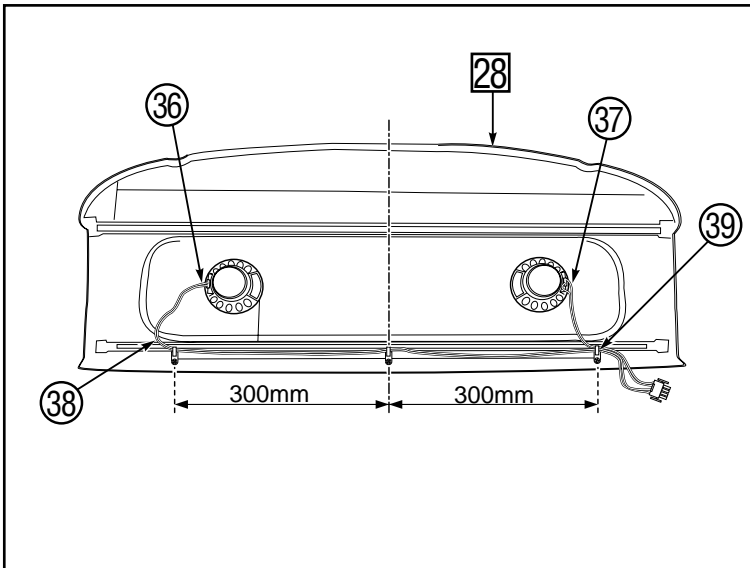


Fig. 88

10.
  - a) Insert the connectors 36 and 37 in the speakers.
  - b) Route the wire harness 38 as indicated.
  - c) Drill 3 holes in the package tray trim 28 as shown (10 mm from border) and attach the wire harness with wire ties 39.
    - 39 : Wire tie (3x)

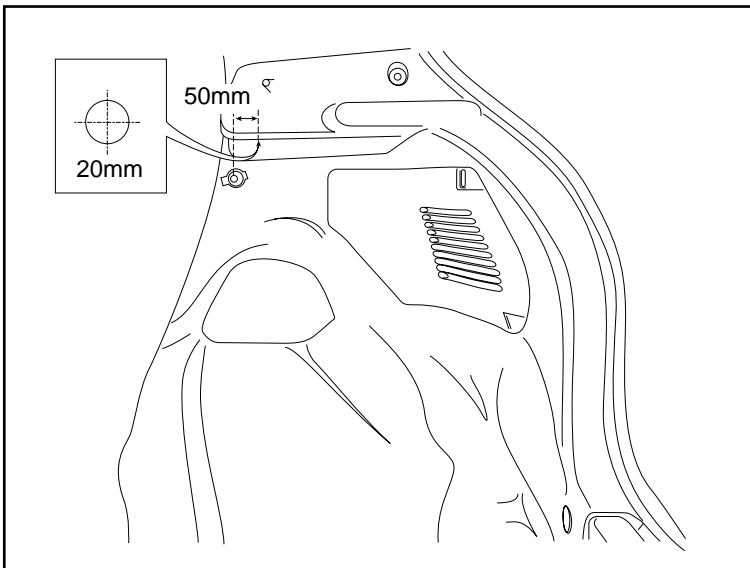


Fig. 89

11. Drill a hole (Ø 20 mm) underneath the shaded border as indicated.

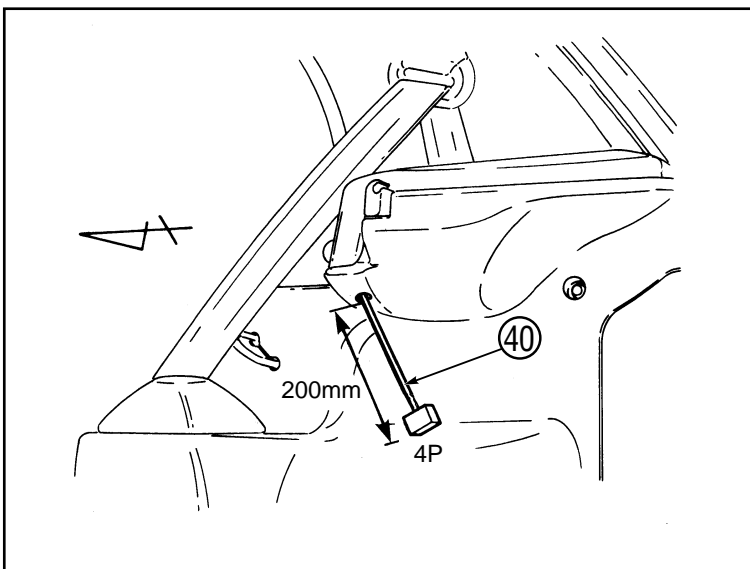


Fig. 90

12. Route the speaker wire 40 (white).



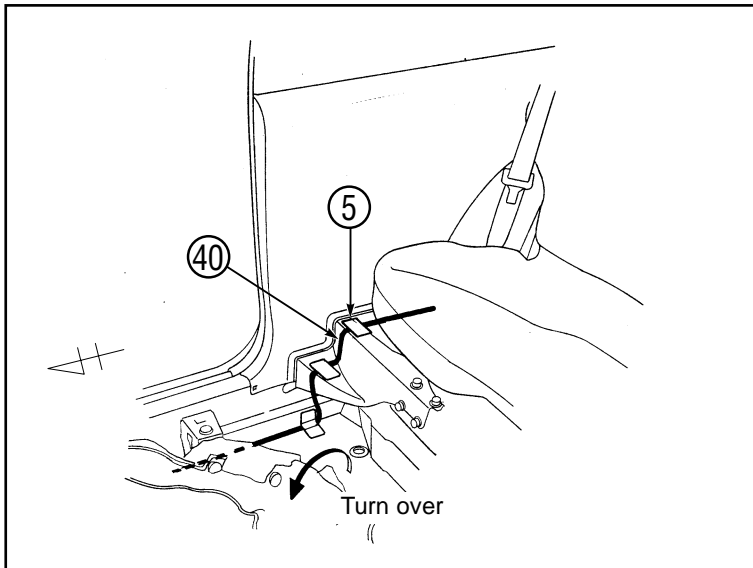


Fig. 91

- 13. Route and attach the changer wire ④⑩ using tape ⑤.
- ⑤: Tape (3x)

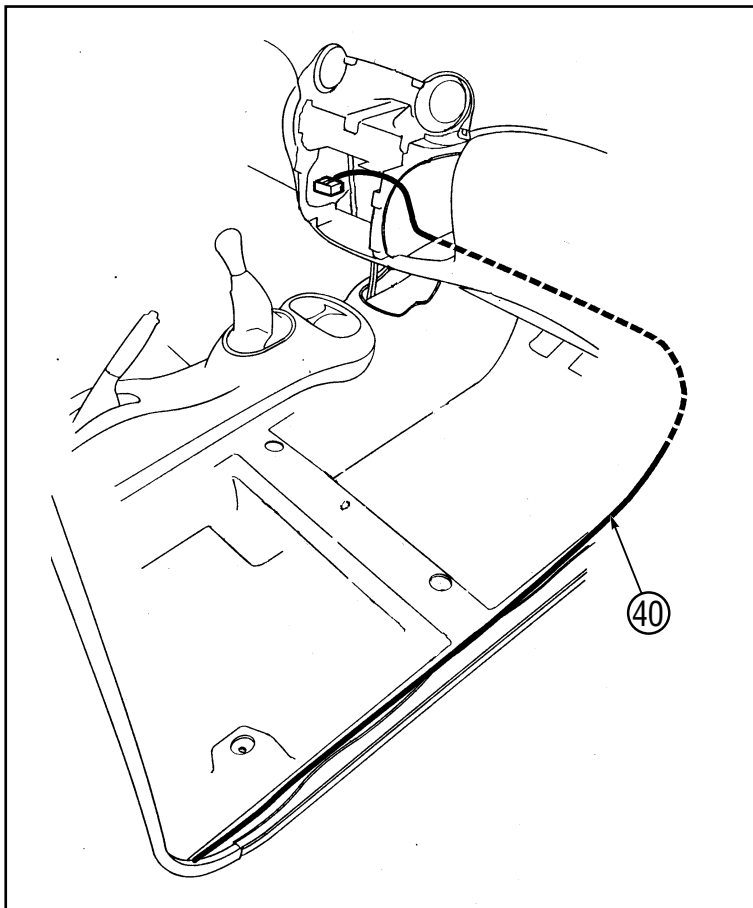


Fig. 92

- 14. Route the changer wire ④⑩.

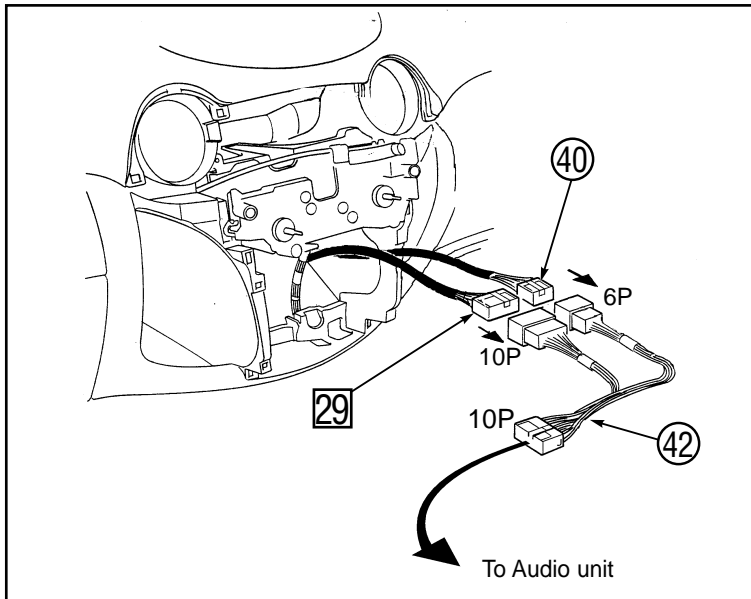


Fig. 93

**IN CASE OF MOP 2 SPEAKERS  
(DASHBOARD)**

15.
  - a) Connect the 10P female connector of the vehicle wire harness 29 to the 10P male connector of the speaker adaption wire harness 42.
  - b) Connect the 6P female connector of the rear speaker wire harness 40 to the 6P male connector of the speaker adaption wire harness 42.
  - c) Connect the 10P female connector of the speaker adaption wire harness 42 to the audio unit.

\* 42 Speaker adaption wire harness  
MOP 2 speakers PZ417-B0241-60

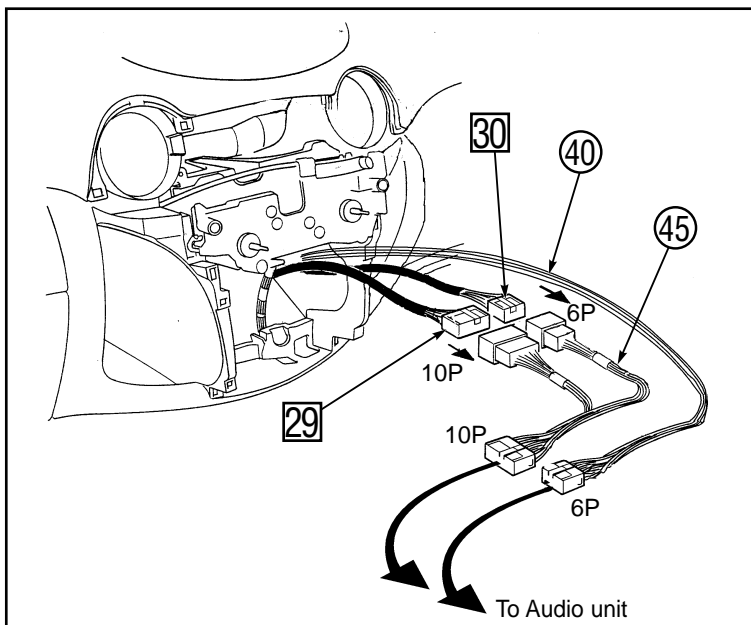


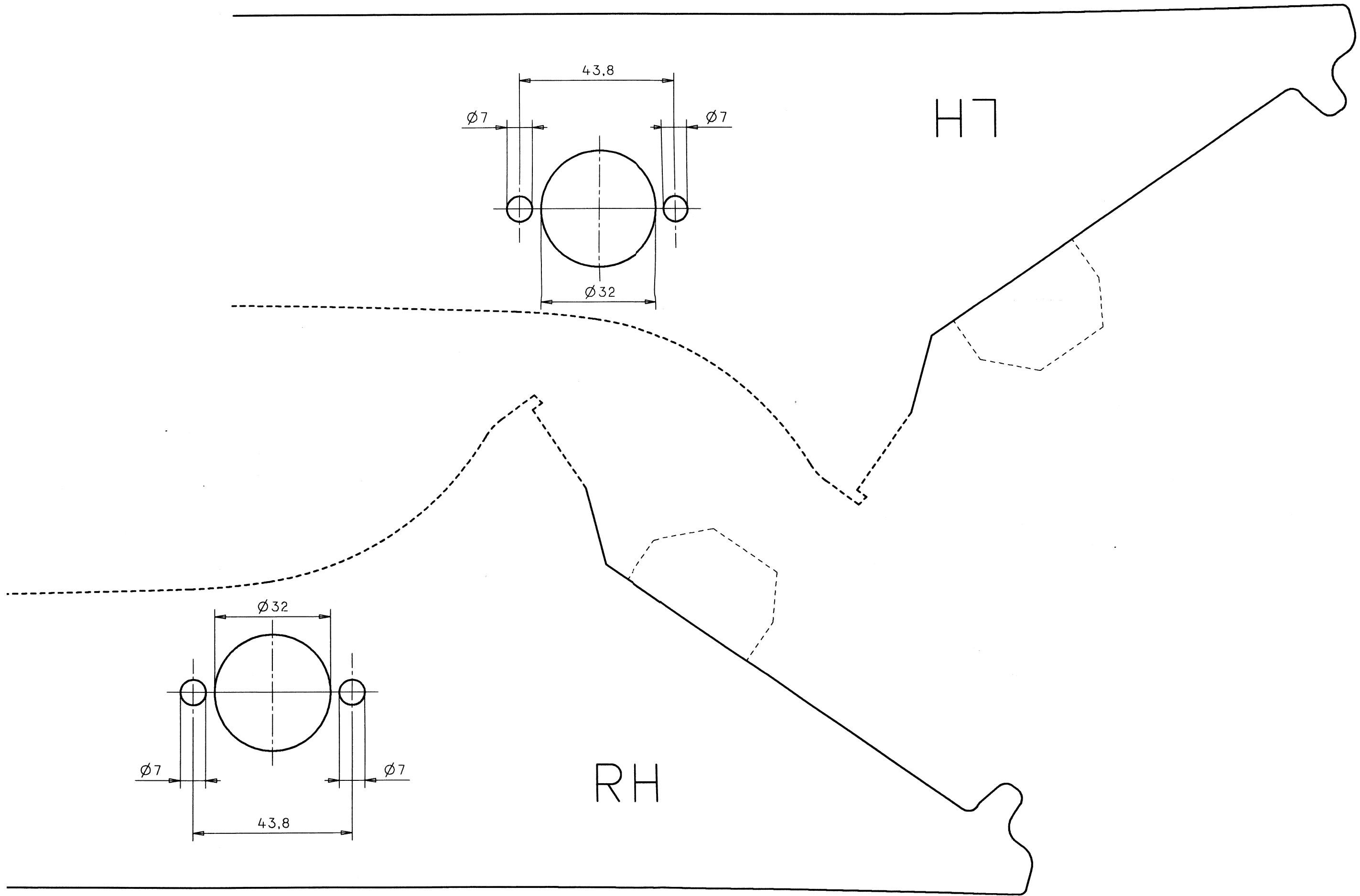
Fig. 94

**IN CASE OF MOP 4 SPEAKERS  
(DASHBOARD + DOOR)**

16.
  - a) Connect the 10P female connector of the vehicle wire harness 29 to the 10P male connector of the speaker adaption wire harness 45.
  - b) Connect the 6P female connector of the vehicle wire harness 30 to the 6P male connector of the speaker adaption wire harness 45.
  - c) Connect the 10P female connector of the speaker adaption wire harness 45 and the 6P connector of the rear speaker wire harness 40 to the audio unit.

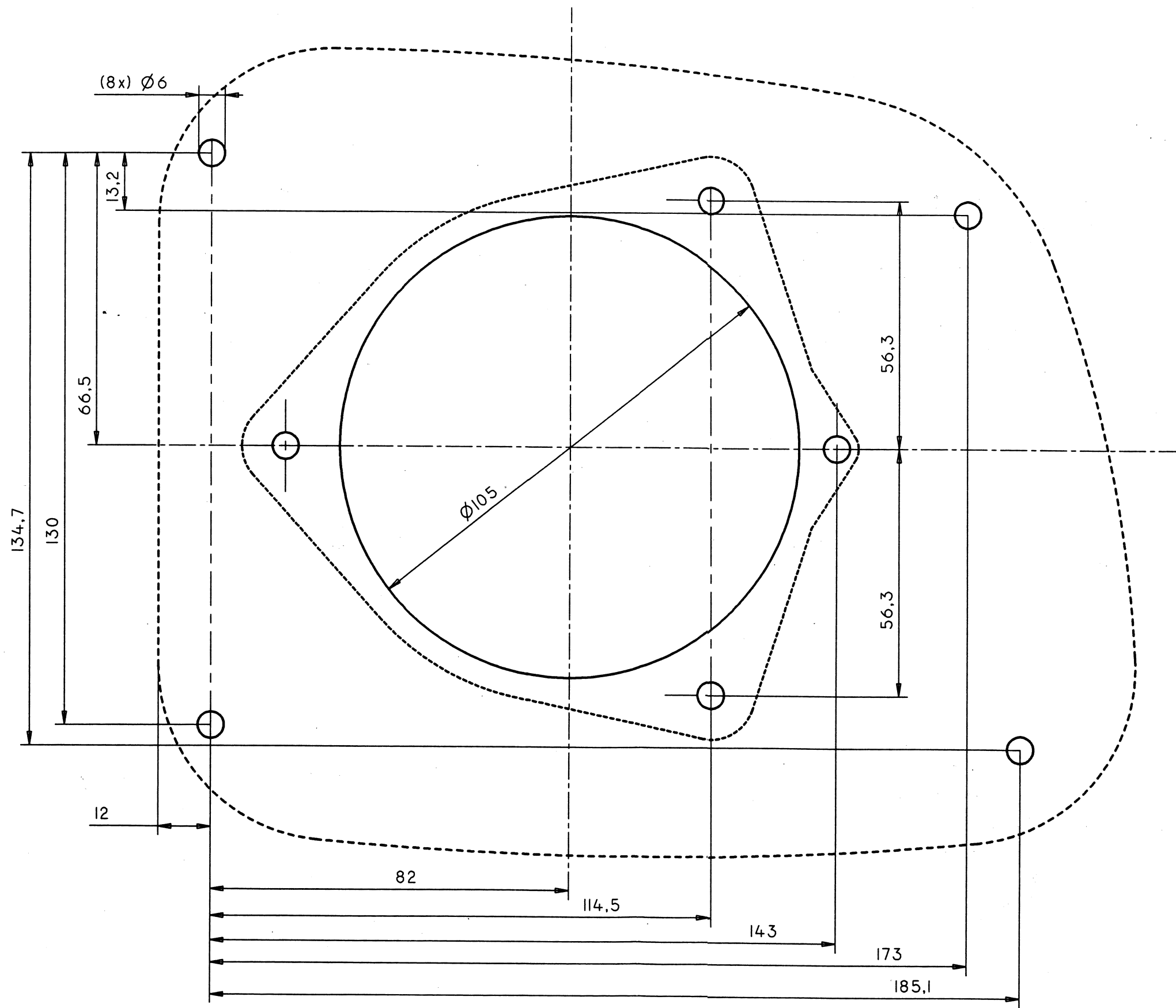
\* 45 Speaker adaption wire harness  
MOP 4 speakers PZ417-B0240-60

**ENSURE THAT ALL REMOVED CONNECTORS  
ARE PUT BACK CORRECTLY.  
REFIT THE TRIM AND REMOVED PARTS.**



H7

RH



Rear speaker set

4304 073 0837.1

**TOYOTA**  
**GENUINE PARTS**