

AUDIO

TOYOTA GENUINE AUDIO

NOTICE EXPLICATIVE DE L'INSTALLATION

Avensis

FÜR-FOR-POUR **T25*R

RHD




1. TABLE OF CONTENTS

1. Application Chart	4
2. System Layout	5
3. In-dash 6 CD-Changer Installation	6
4. Hide-away 6 CD-changer installation	15

AUDIO & NAVIGATION APPLICATION CHART
 TMM-CA Division Dev. Dept. II - December 12th, 2002

Avensis **T25*R

(RHD)

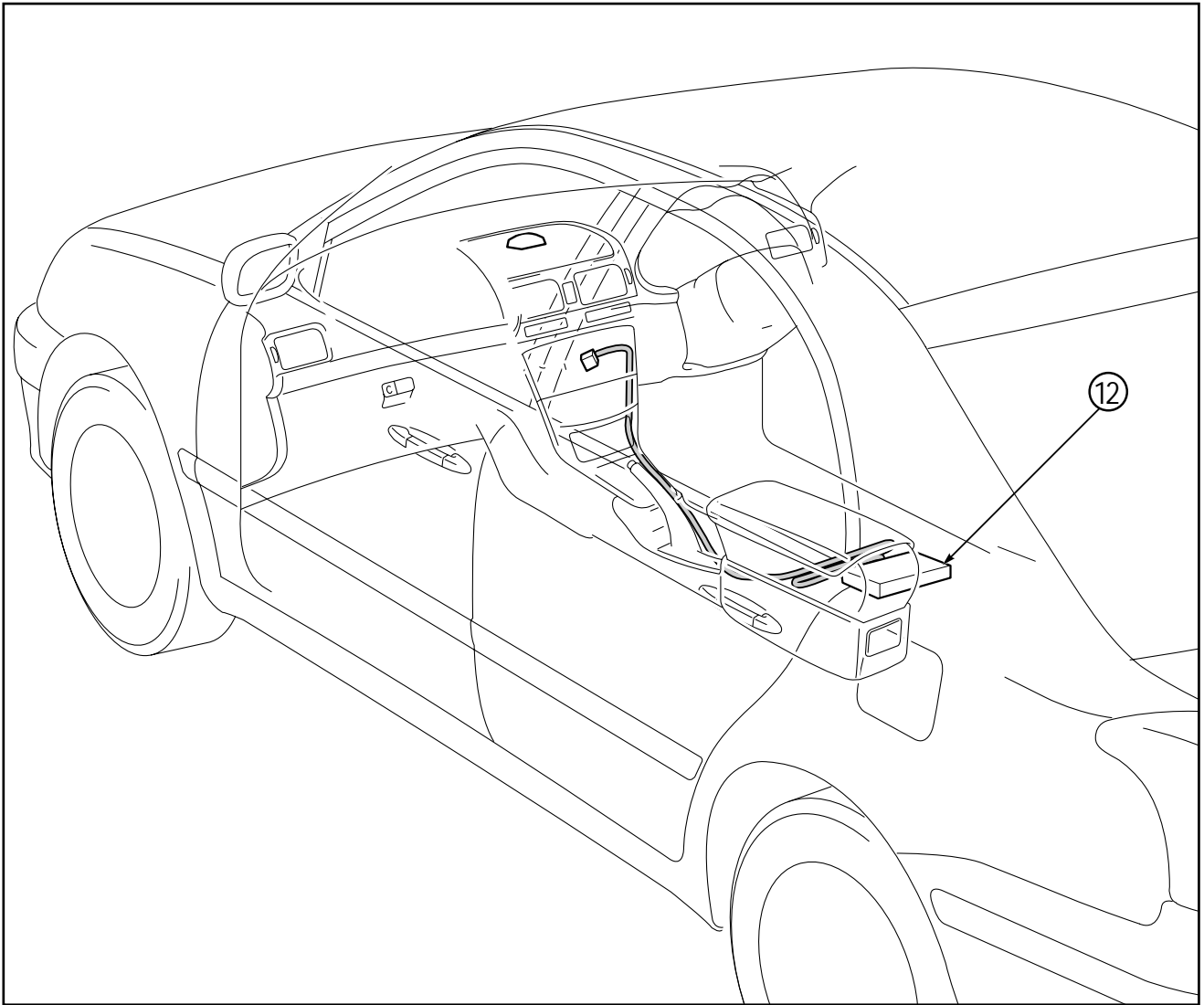
		+ ADD-ON UNIT(S) Hide Away CD-Changer TM0461 (08601-00911) In-Dash CD-Changer TM0561 (08601-00907)	
COMBINATION		HEAD UNIT	REQUIRED ADDITIONAL PARTS
1	Radio/Cassette/CD (Lo) (only)	MOP-unit or W53900 (08600-05821)	-
2	Radio/Cassette/CD (Hi) (only)	MOP-unit or W53901 (08600-05822)	-
3	Radio/Cassette/CD (Lo) + Hide Away CD-Changer	MOP-unit or W53900 (08600-05821)	● (2) Wire (08695-00370) ● (2) Wire (08695-00370)
4	Radio/Cassette/CD (Lo) + In-Dash CD-Changer	MOP-unit or W53900 (08600-05821)	● (1) Wire (08695-00370) + F/K (08695-05801) ● (1) Wire (08695-00370) + F/K (08695-05801)
5	Radio/Cassette/CD (Lo) + Navigation (TBT)	MOP-unit or W53900 (08600-05821)	● (3) Wire (08695-00370) + F/K (PZ425-T0330-60) ● (3) Wire (08695-00370) + F/K (PZ425-T0330-60)
6	Radio/Cassette/CD (Lo) + Hide Away CD-Changer + Navigation (TBT)	MOP-unit or W53900 (08600-05821)	● (2) Wire (08695-00370) + F/K (PZ425-T0330-60) ● (2) Wire (08695-00370) + F/K (PZ425-T0330-60)
7	Radio/Cassette/CD (Lo) + In-Dash CD-Changer + Navigation (TBT)	MOP-Unit or W53900 (08600-05821)	● (3) Wire (08695-00370) + F/K (08695-05801) + F/K (PZ425-T0330-60) ● (3) Wire (08695-00370) + F/K (08695-05801) + F/K (PZ425-T0330-60)
8	Radio/Cassette/CD (Hi) + Hide Away CD-Changer	MOP-unit or W53901 (08600-05822)	● (2) Wire (08695-00370) ● (2) Wire (08695-00370)
9	Radio/Cassette/CD (Hi) + In-Dash CD-Changer	MOP-Unit or W53901 (08600-05822)	● (1) Wire (08695-00370) + F/K (08695-05801) ● (1) Wire (08695-00370) + F/K (08695-05801)
10	Radio/Cassette/CD (Hi) + Navigation (TBT)	MOP-unit or W53901 (08600-05822)	● (3) Wire (08695-00370) + F/K (PZ425-T0330-60) ● (3) Wire (08695-00370) + F/K (PZ425-T0330-60)
11	Radio/Cassette/CD (Hi) + Hide Away CD-Changer + Navigation (TBT)	MOP-Unit or W53901 (08600-05822)	● (2) Wire (08695-00370) + F/K (PZ425-T0330-60) ● (2) Wire (08695-00370) + F/K (PZ425-T0330-60)
12	Radio/Cassette/CD (Hi) + In-Dash CD-Changer + Navigation (TBT)	MOP-Unit or W53901 (08600-05822)	● (3) Wire (08695-00370) + F/K (08695-05801) + F/K (PZ425-T0330-60) ● (3) Wire (08695-00370) + F/K (08695-05801) + F/K (PZ425-T0330-60)

MOP: Factory installed option

(1): Glove box application (2): Located under the RH-seat (3): Located under the LH-seat. For required additional parts see the NAVI installation instructions.

2. SYSTEM LAYOUT

THE HIDE-AWAY 6 CD-CHANGER



NOTE:
The installation position of the hide-away 6 CD-changer ⑫ is under the driver seat.

3. IN-DASH 6 CD-CHANGER INSTALLATION

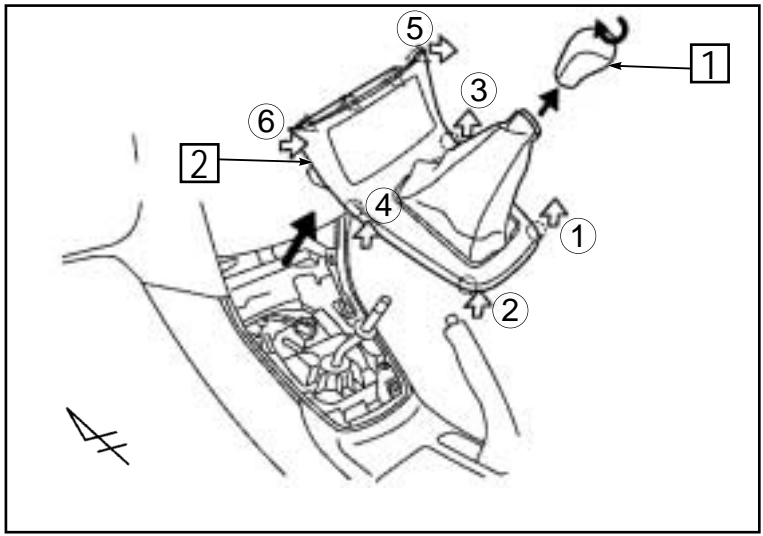


Fig. 1

1. Remove the shift knob **1** and shift cover **2** using a nylon pry tool.
 ○: Clip (4x)
 △: Nail (4x)

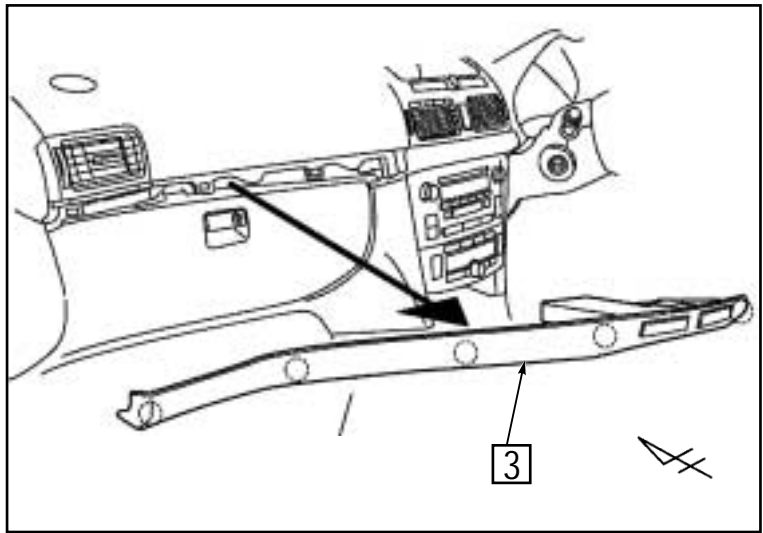


Fig. 2

2. Remove the panel **3**.
 ○: Clip (5x)

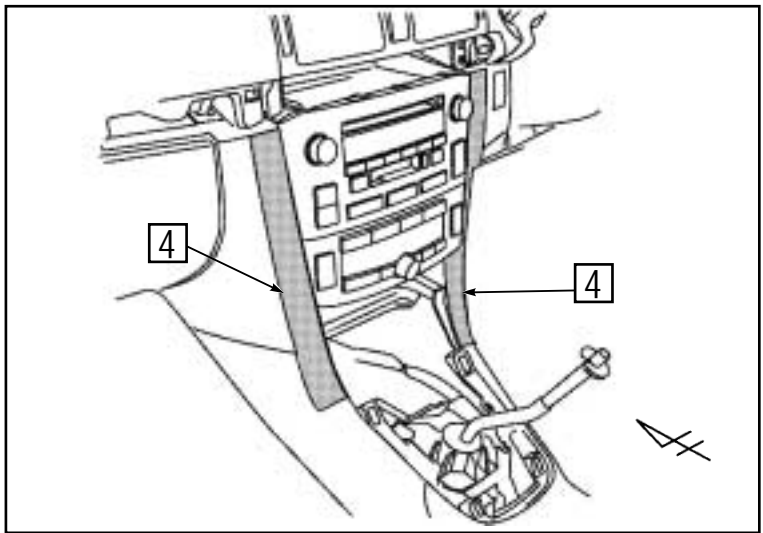


Fig. 3

3. Attach the protection tape **4**.

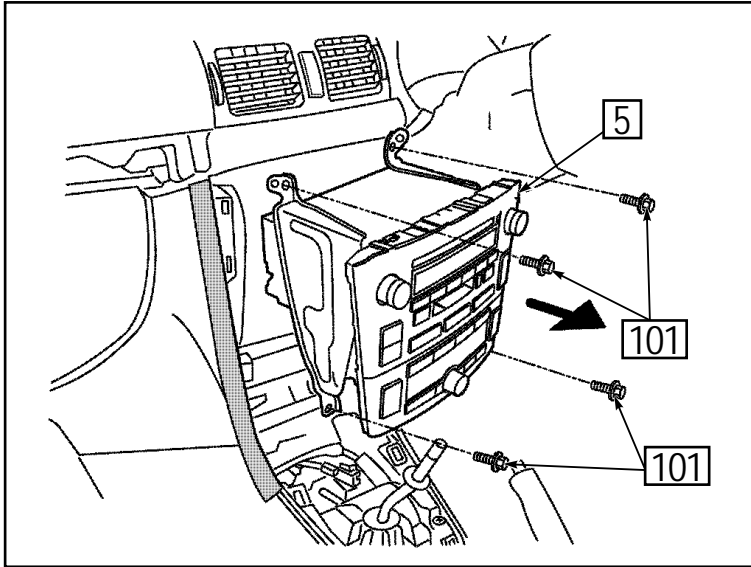


Fig. 4

4. Remove the audio unit **5**.
101: Bolt (4x)

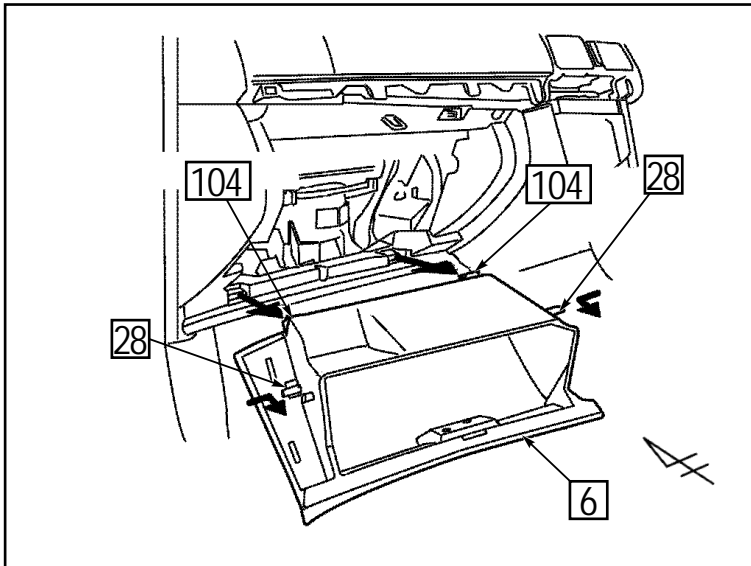


Fig. 5

5. Remove the glove compartment **6**.
 - a) Remove the hooks **104**.
104: Hook (2x)
 - b) Remove the stoppers **28** by pulling them inside.

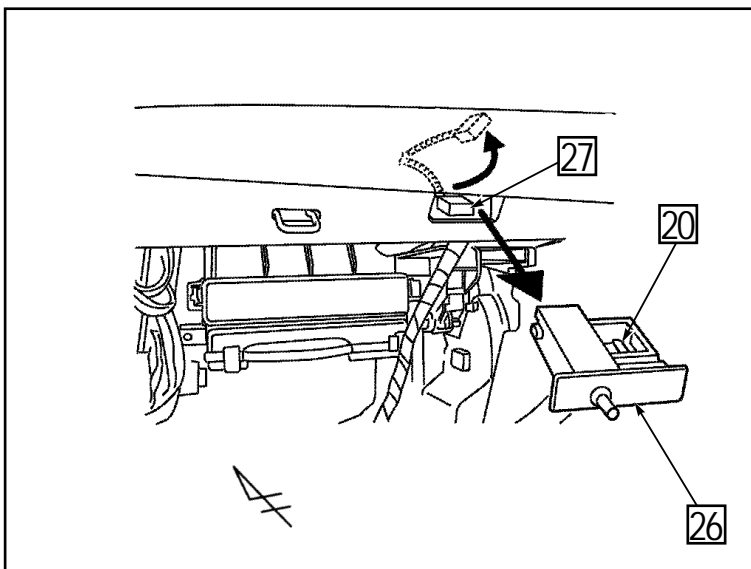


Fig. 6

6.
 - a) Remove the switch **26**.
 - b) Remove the bulb **20**.
 - c) Remove the connector **27** by moving it upward.

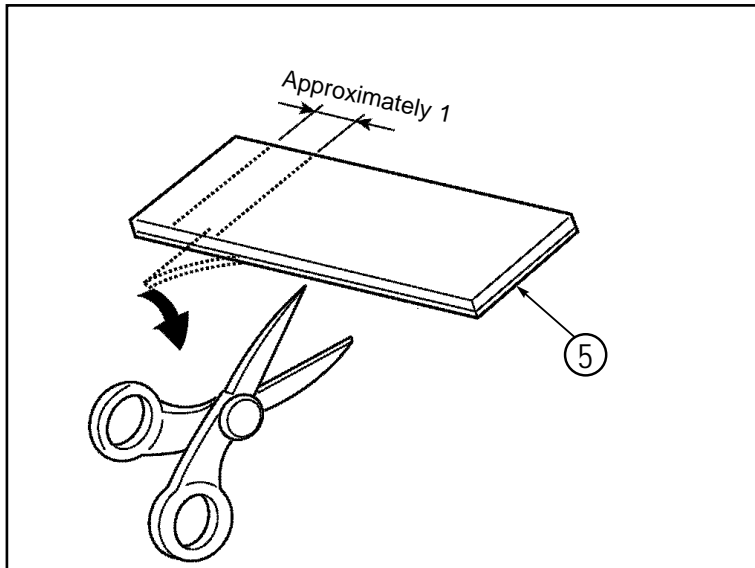


Fig. 7

7. Cut the tape ⑤ into 10 equal pieces.

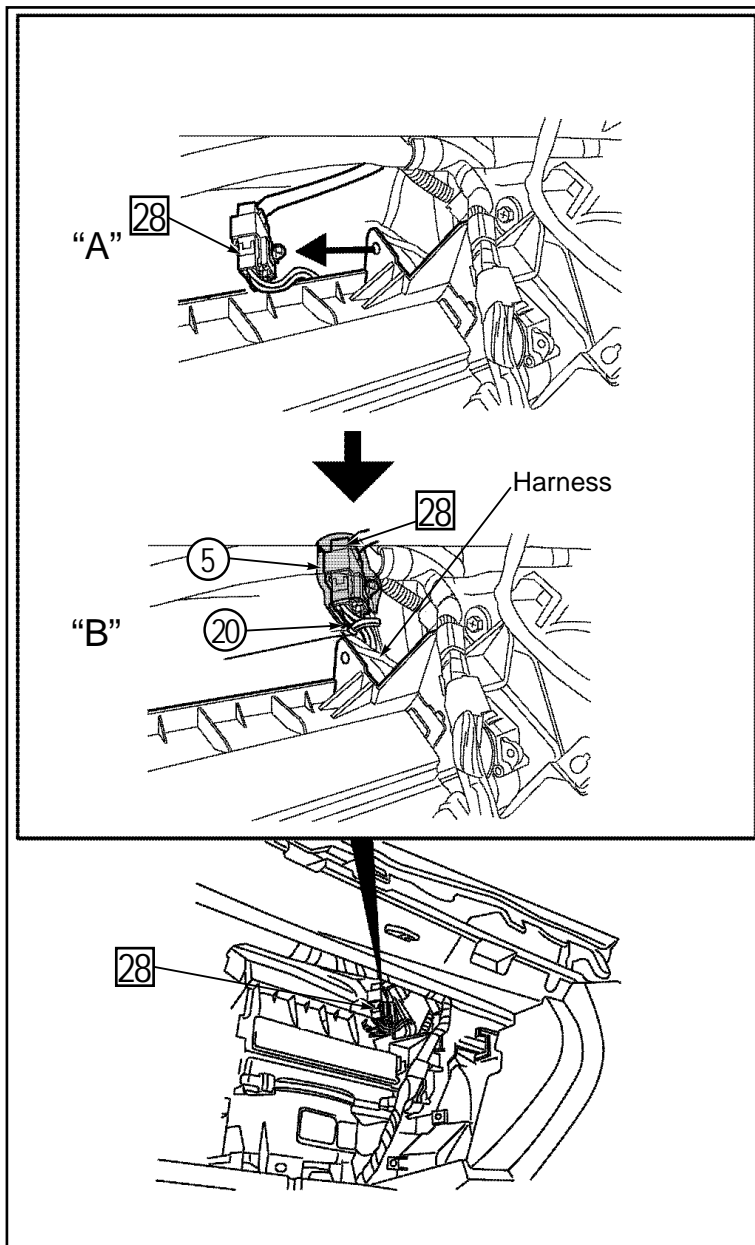


Fig. 8

8. Relocate the vehicle connector ⑳ position from location "A" to location "B" and attach the connector ㉘ to the harness using tape ⑤ and a wire tie ㉙.
 ㉙: Wire tie (1x)

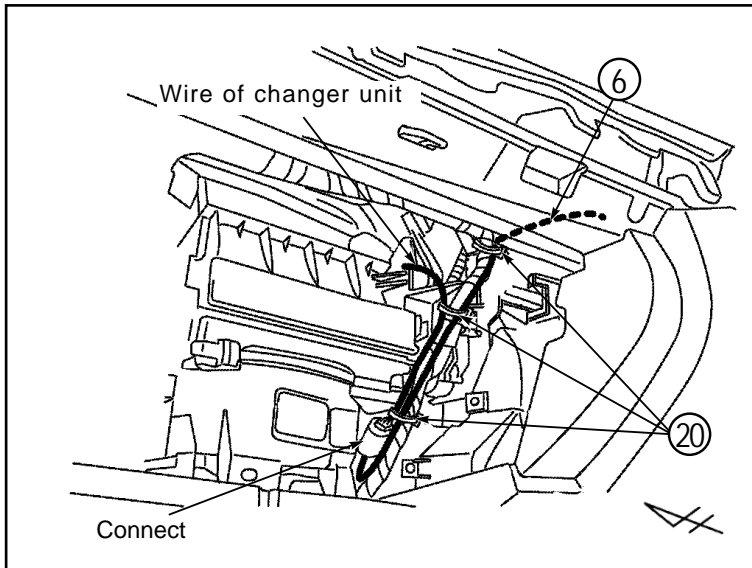


Fig. 9

9. Route and attach the changer wire ⑥ using wire ties ⑳.
 - ⑳: Wire tie (3x)

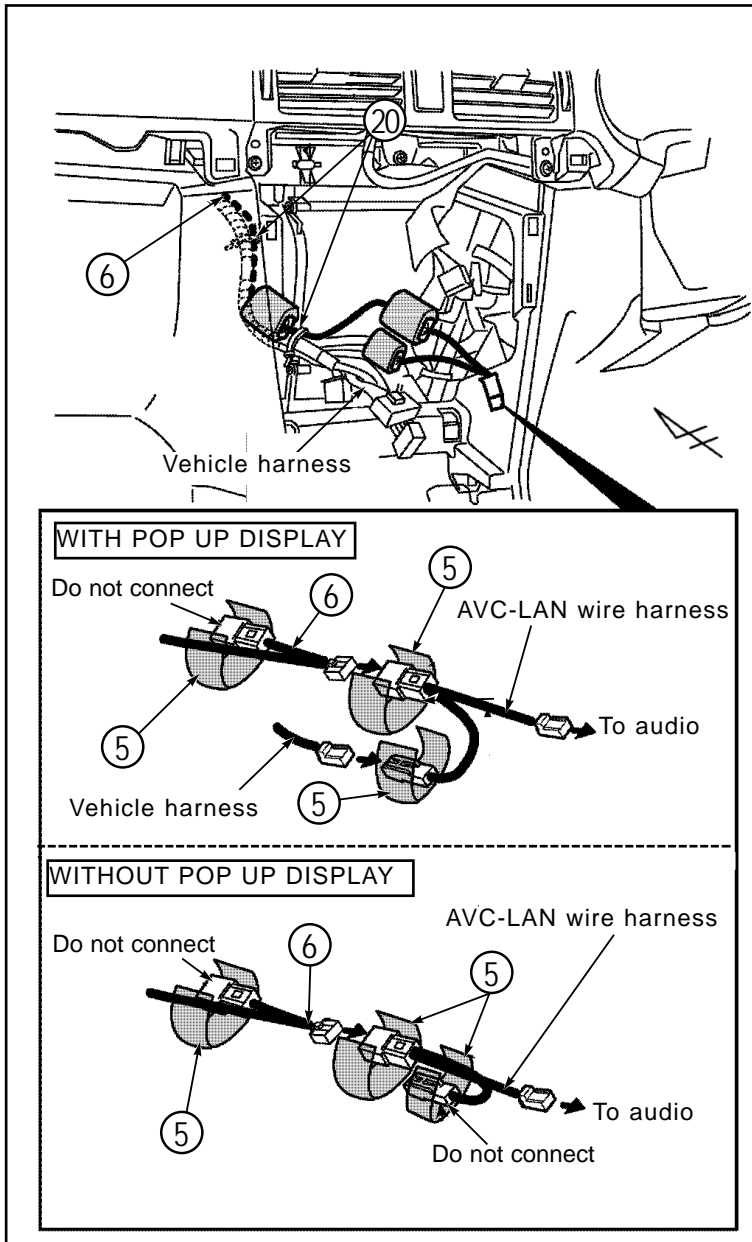


Fig. 10

10. Route the changer wire ⑥ using wire ties ⑳ and wrap the connectors using tape ⑤.
 - ⑤: Tape 2x (3x)
 - ⑳: Wire tie (2x)

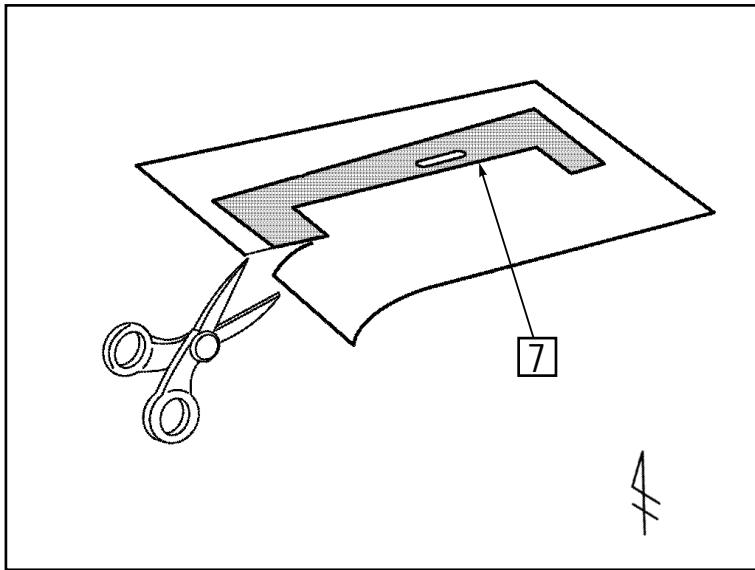


Fig. 11

11. Cut the template (312N) 7 (see page 22, 23) using scissors.

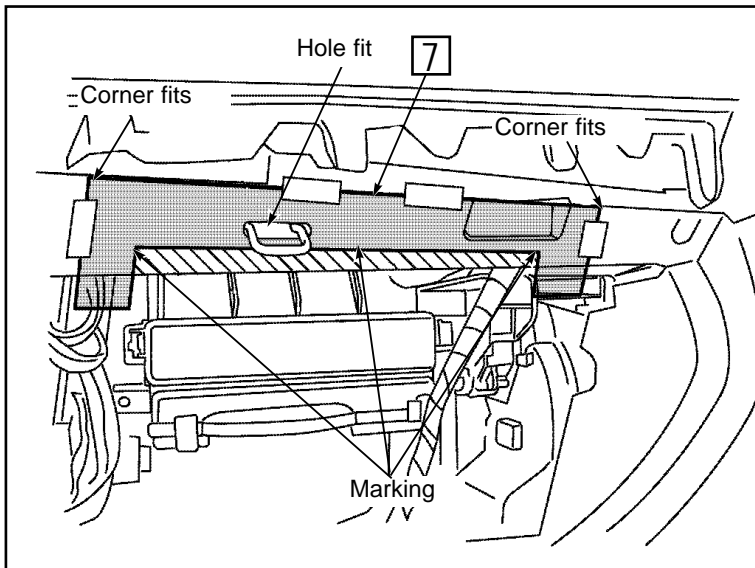


Fig. 12

12. Mark the dashboard using the template (312N) 7.

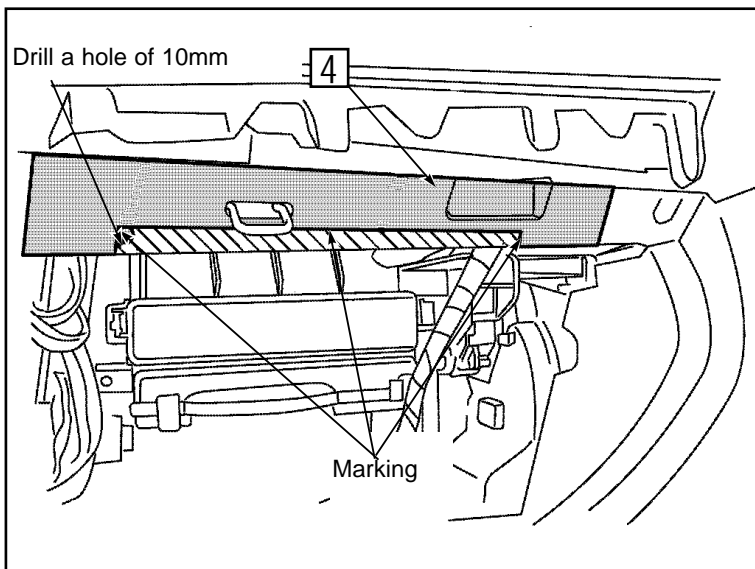


Fig. 13

13. Use protection tape 4 in order not to damage the surface of the dashboard.

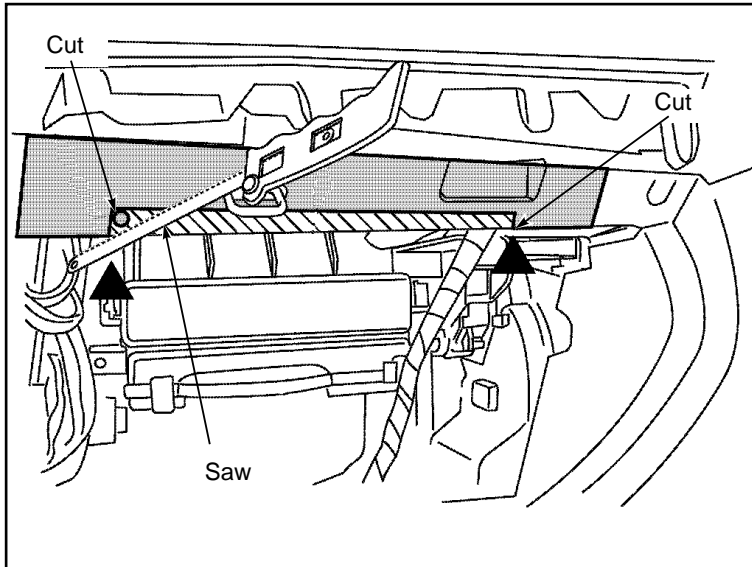


Fig. 14

14. Cut the marked position on the dashboard using a saw.

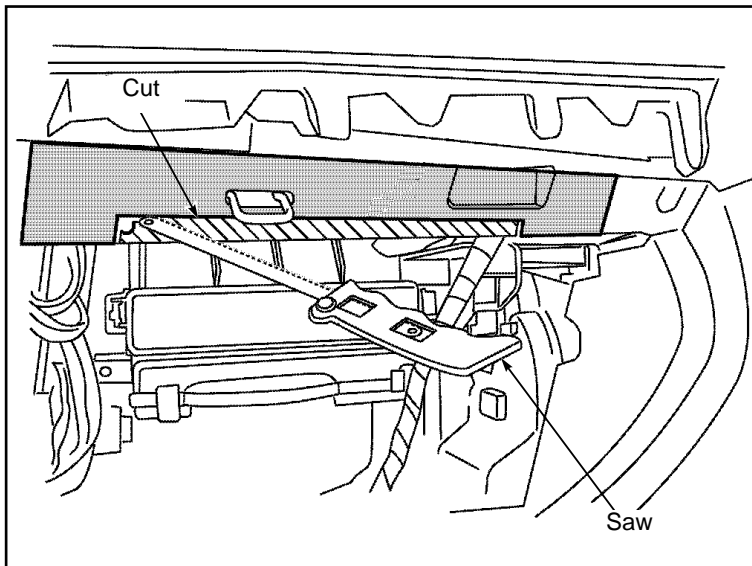


Fig. 15

15. Cut the marked position on the dashboard using a saw.

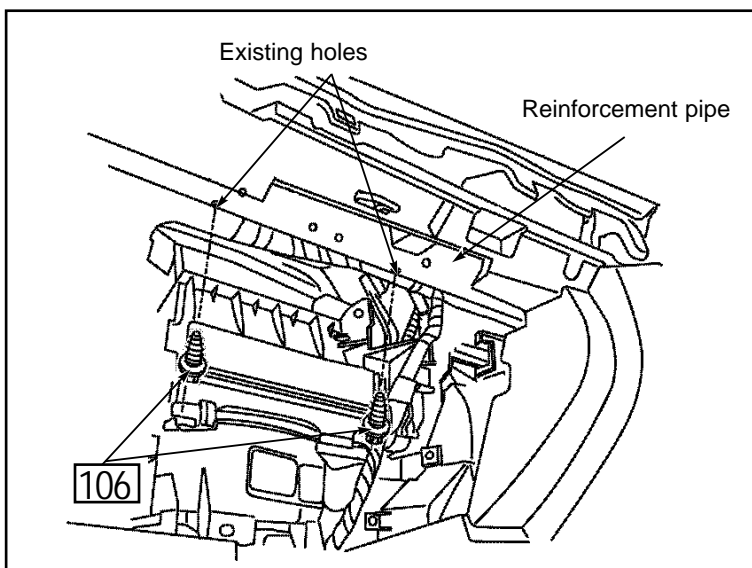


Fig. 16

16. Temporary attach the screws in the existing holes.
 106: Screw (M6x12) (2x)

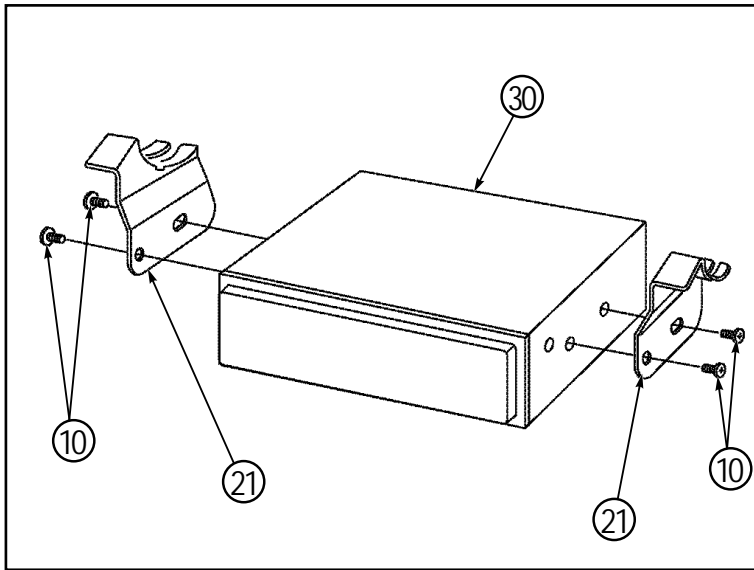


Fig. 17

17. Fit the side bracket ②① (L) and (R) onto the changer unit ③①.
 ⑩: Bolt (M5x8) (4x)

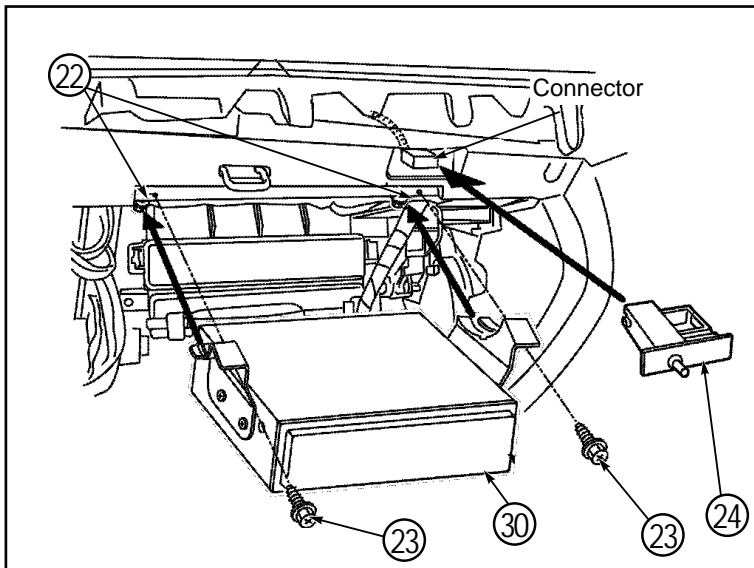


Fig. 18

18.
 a) Fit the switch ②④.
 b) Fit the in-dash changer unit ③①.
 ②②: Screw (M6x12) (2x)
 ②③: Screw (M6x14) (2x)

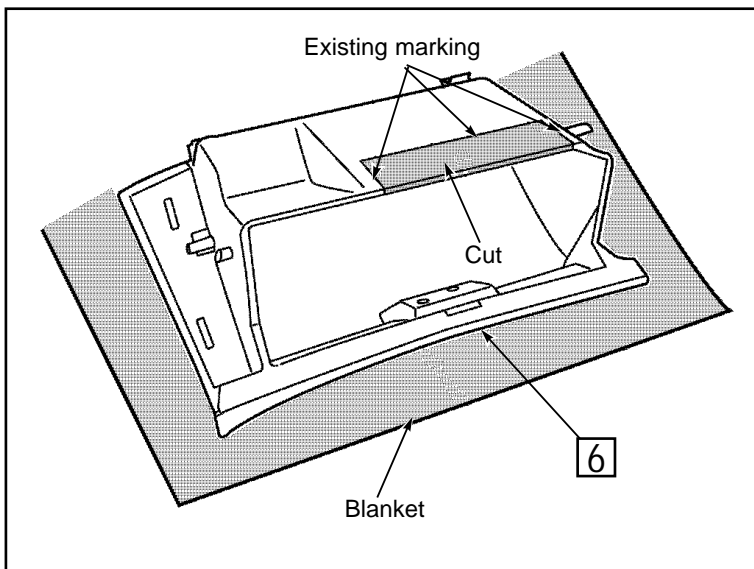
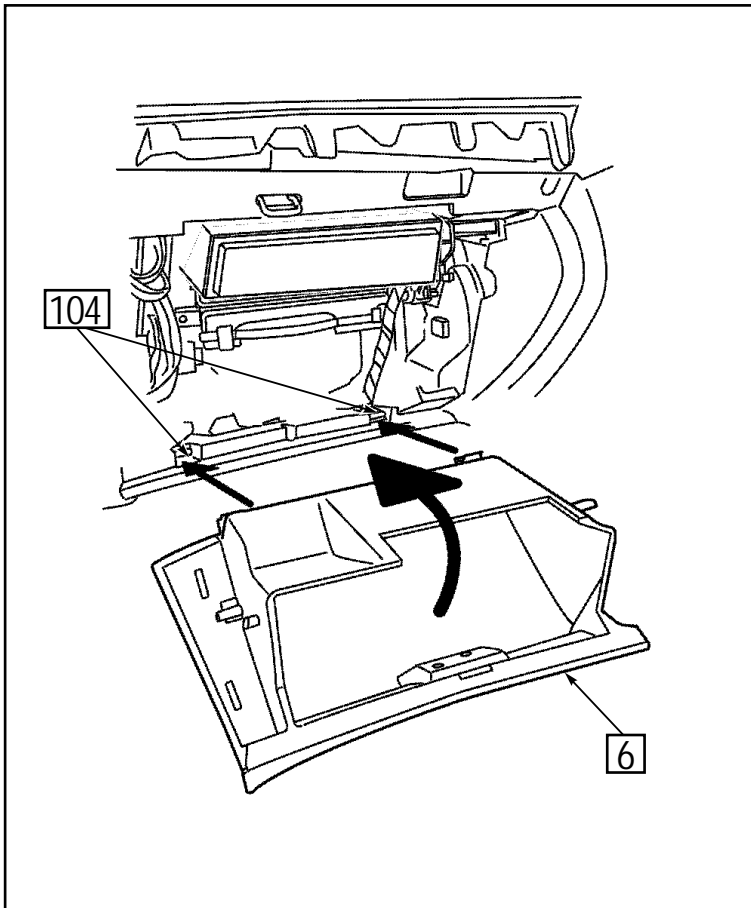


Fig. 19

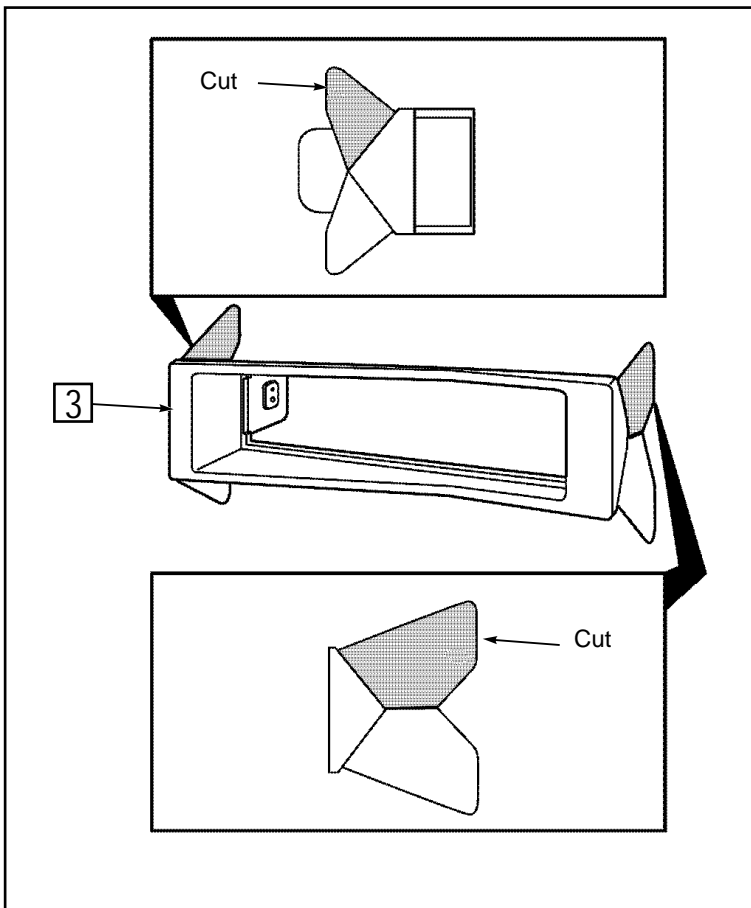
19. Cut the glove compartment ⑥.



20. Fit the glove compartment [6].

[104]: Hook (2x)

Fig. 20



21. Cut the panel [3].

Fig. 22

22. Fit the panel **3**.

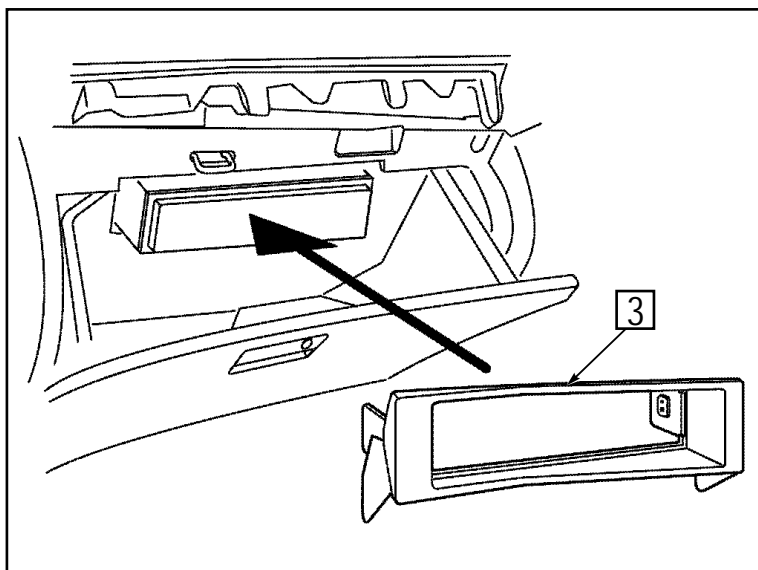


Fig. 23

3. HIDE-AWAY 6 CD-CHANGER INSTALLATION

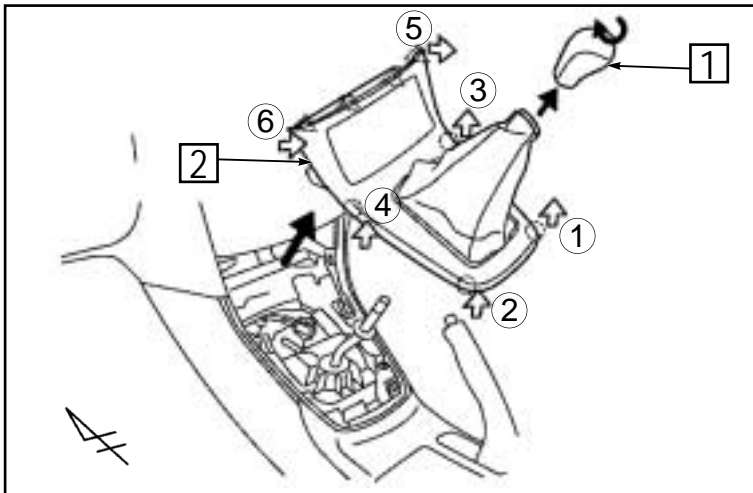


Fig. 24

1. Remove the shift knob **1** and shift cover **2** using a nylon pry tool.
 ○: Clip (4x)
 △: Nail (4x)

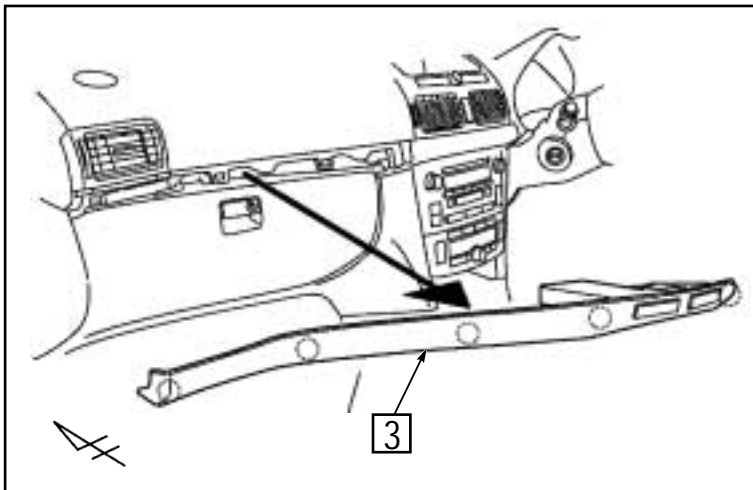


Fig. 25

2. Remove the panel **3**.
 ○: Clip (5x)

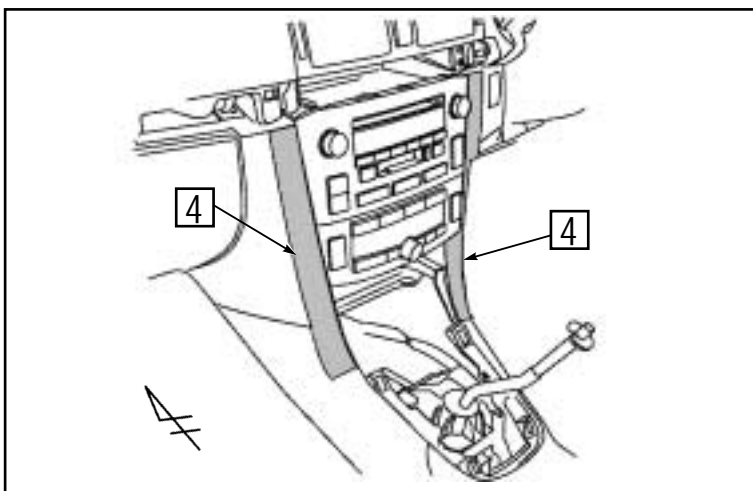


Fig. 26

3. Attach the protection tape **4**.

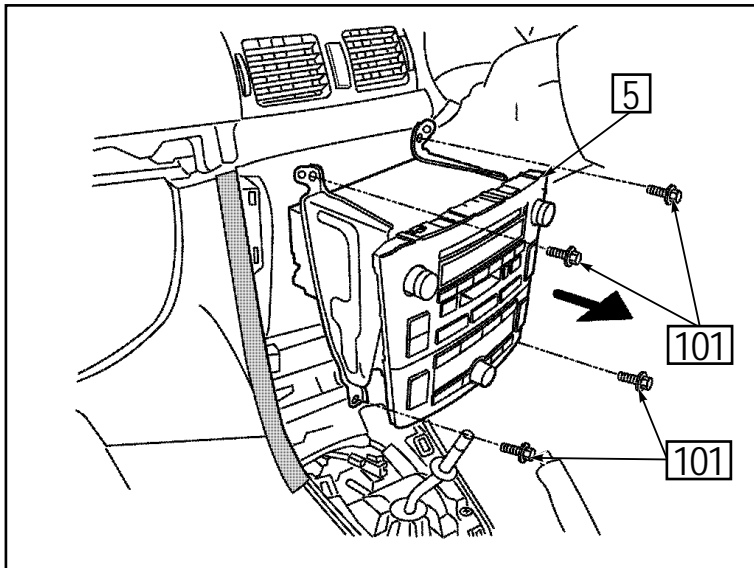


Fig. 28

4. Remove the audio unit **5**.
101: Bolt (4x)

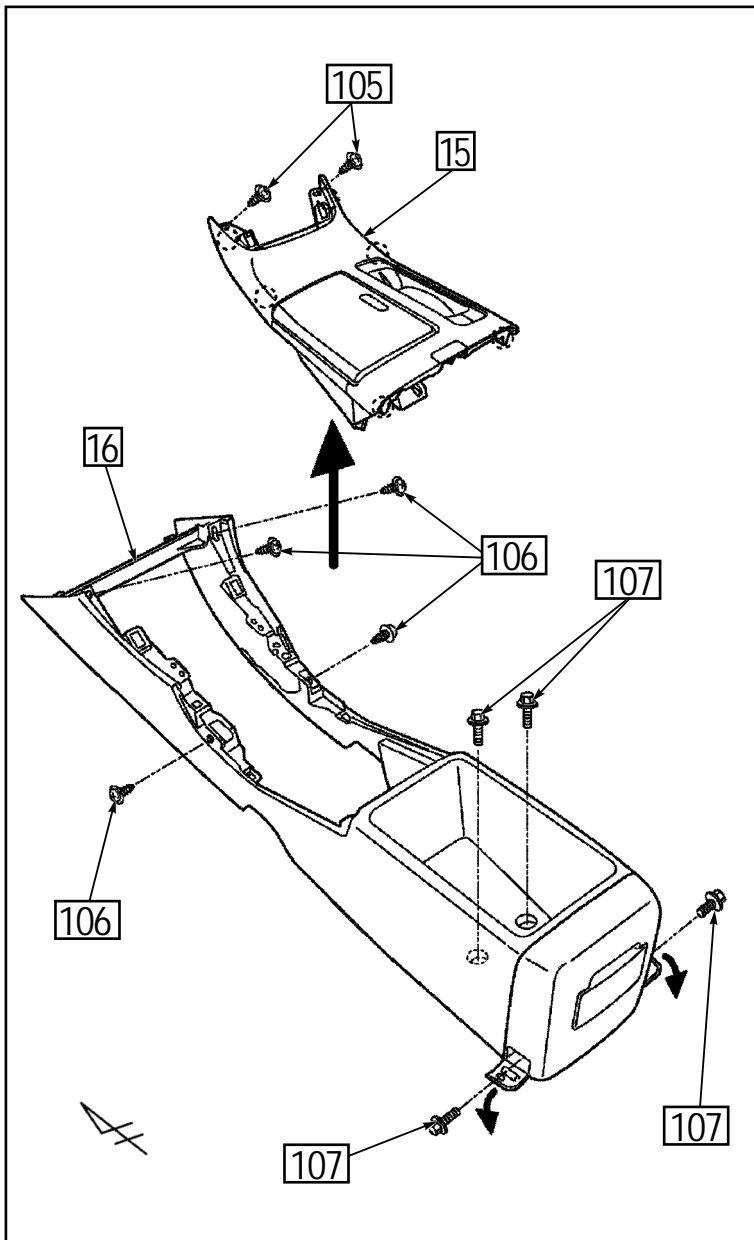


Fig. 29

5.
 - a) Remove the cover **15**.
105: Screw (2x)
 - b) Remove the centre console **16**.
106: Screw (4x)
107: Bolt (4x)

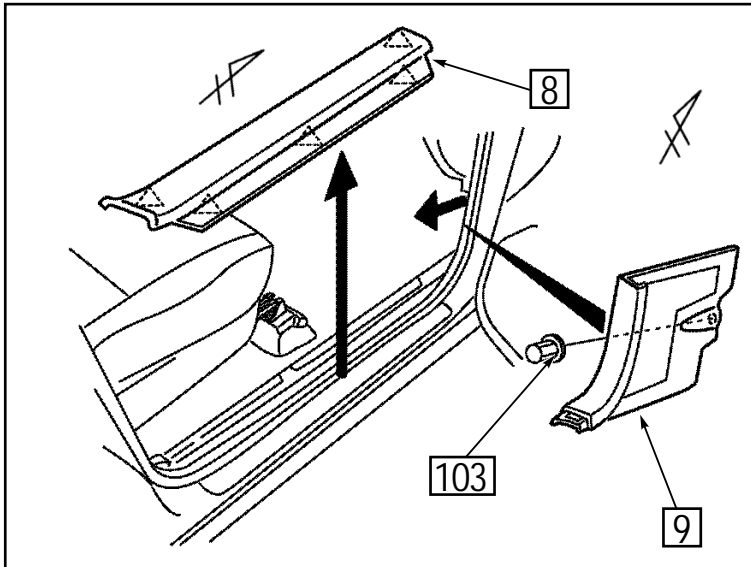


Fig. 30

6.
 - a) Remove the front door scuff plate **8** (R).
 ▲: Nail (5x)
 - b) Remove the kick panel **9** (R).
 103: Nut (1x)

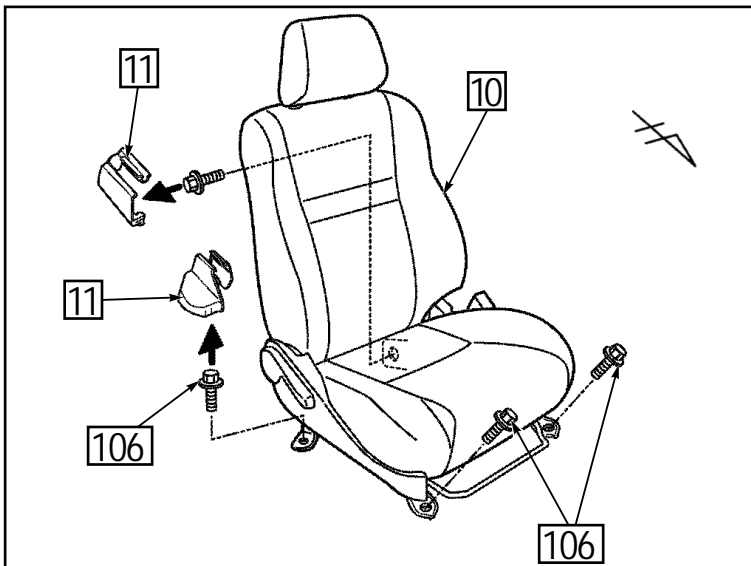


Fig. 31

7. Remove the driver seat **10**.
 106: Bolt w/washer (4x)
 11: Cover (2x)

CAUTION

Fasten the bolt with specified torque when reassembling.

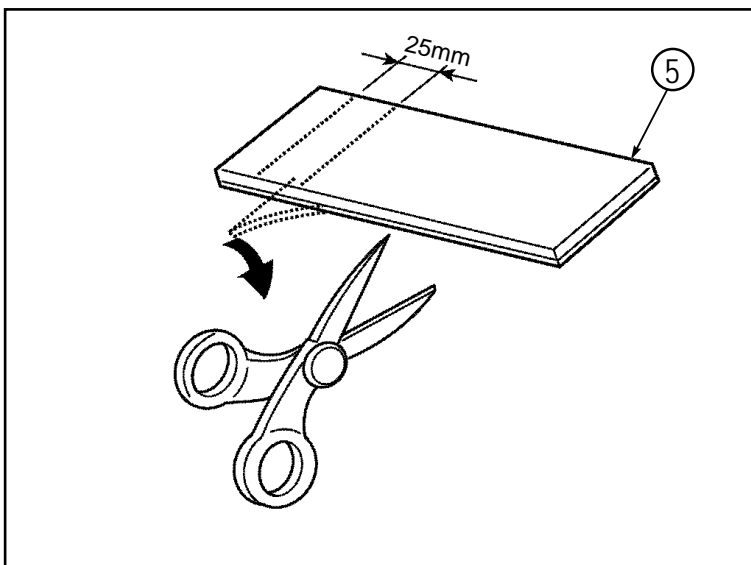


Fig. 32

8. Cut the tape **5** into 10 equal pieces.

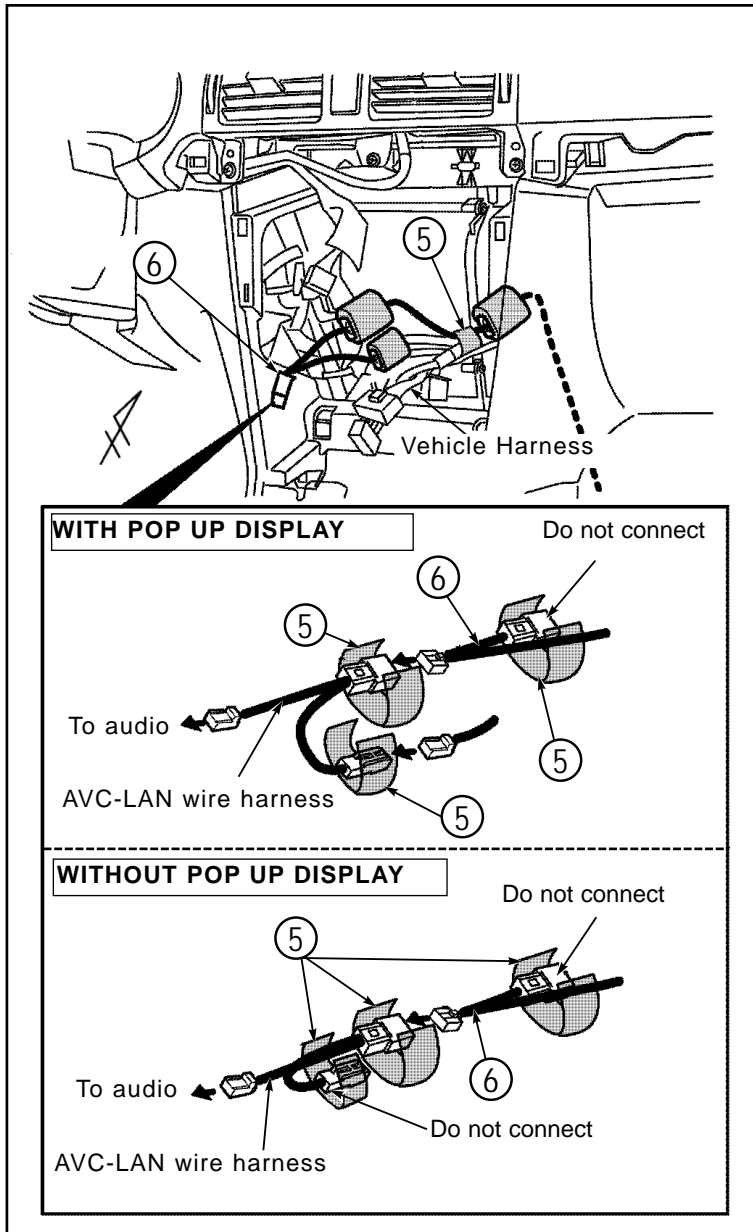


Fig. 33

9. Route the changer wire (6) and wrap the connectors using tape (5).
 (5): Tape (2x3)

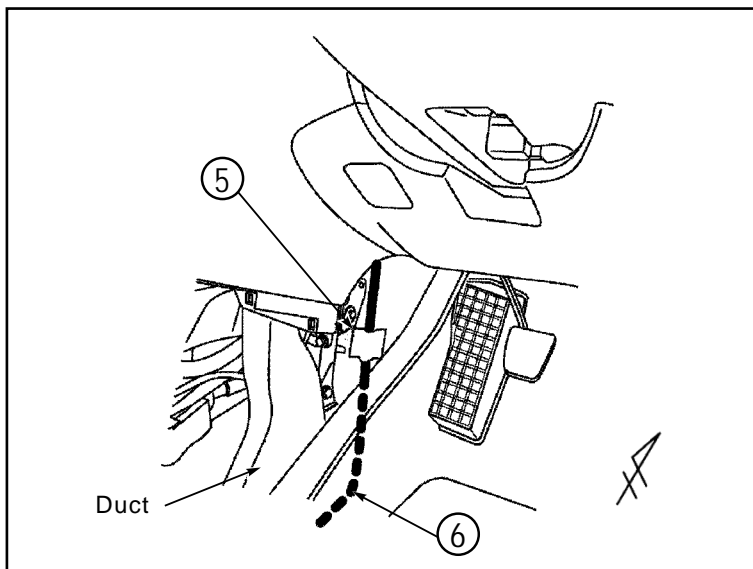


Fig. 34

10. Route and attach the changer wire (6) using tape (5) (1x).

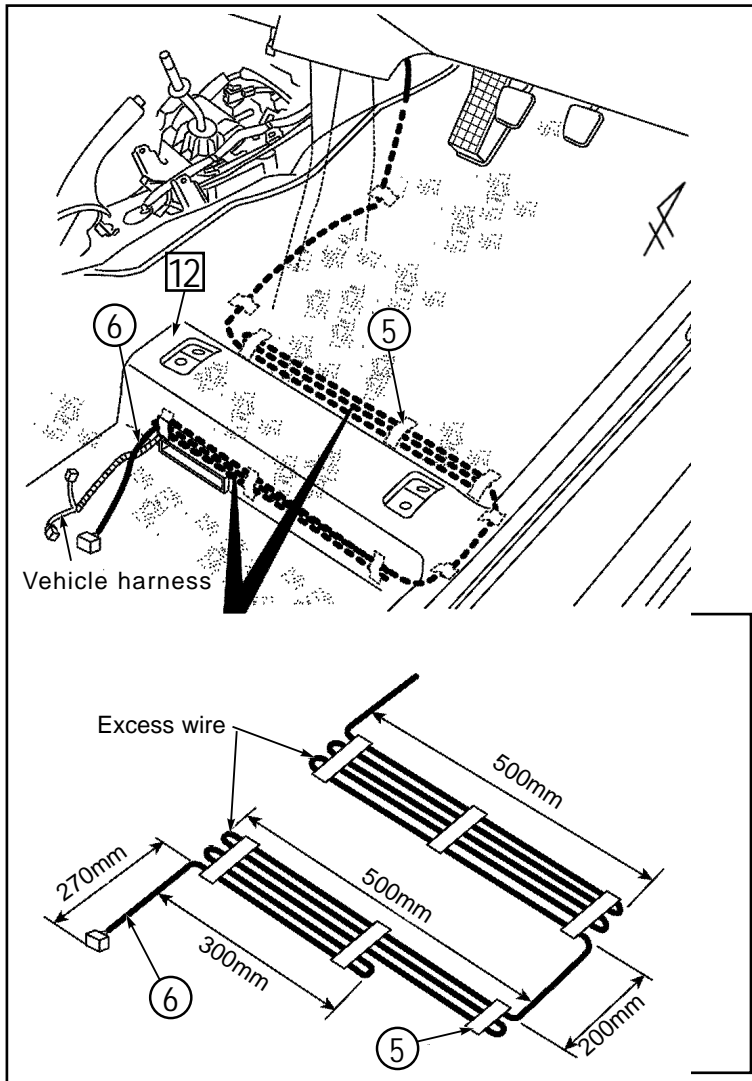


Fig. 35

11.
 - a) Route the changer wire ⑥ along the cross member ⑫ and attach using tape ⑤ (4x).
 - b) Attach the excess wire of the changer wire ⑥ onto the cross member ⑫ using tape ⑤ (6x).

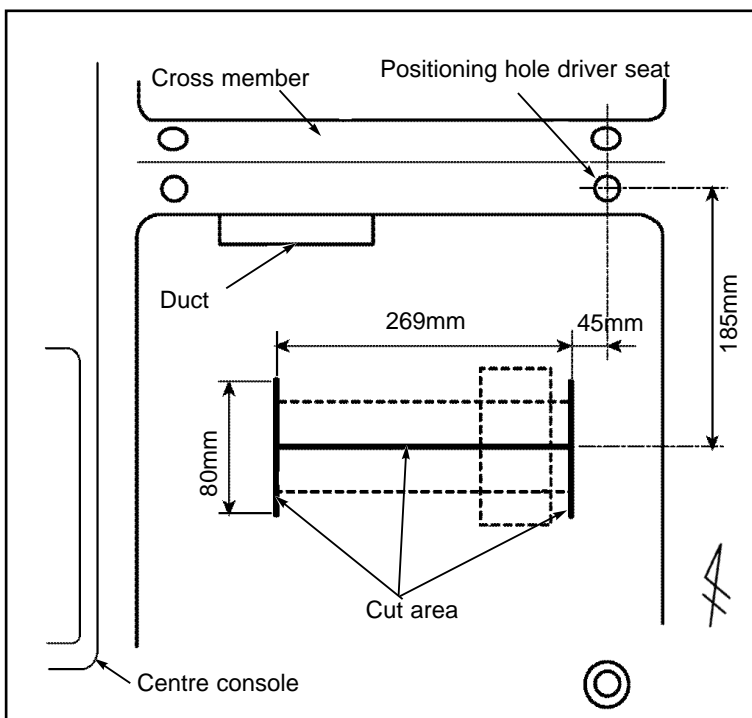


Fig. 36

12. Cut the carpet at the changer unit attachment position on the driver side.

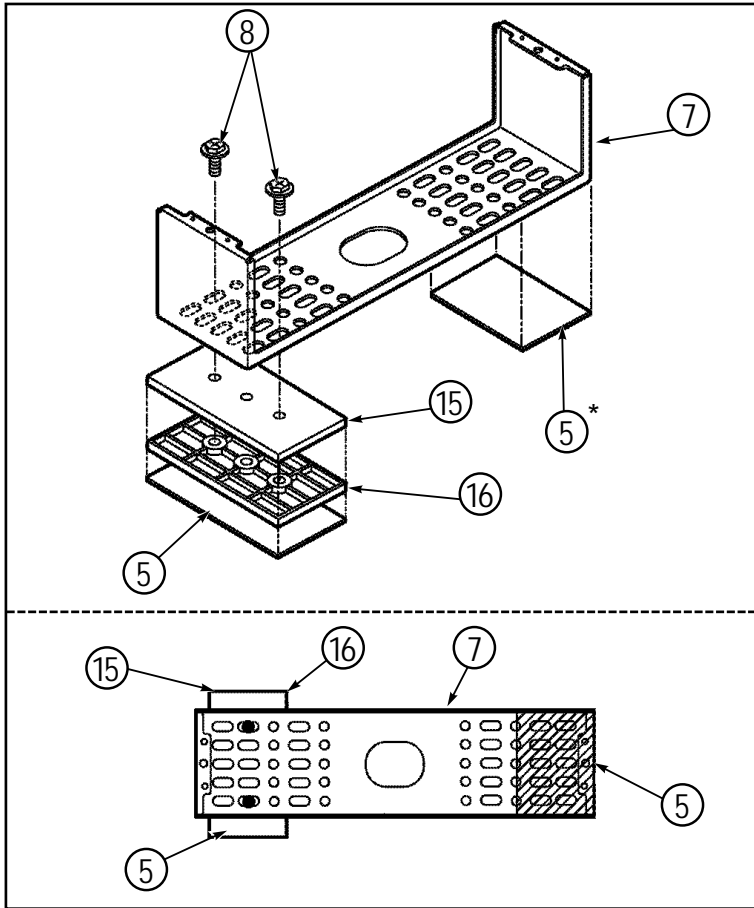


Fig. 37

13. Attach the adhesive tapes (5) and the spacers (15 and 16) to the base bracket (7) using screws (8).
- (15): Spacer (w/o nut)
 - (16): Spacer (w/nut)
 - (5): Tape (1x)
 - (5*): Tape (cut to size 67mmx50mm) (1x)
 - (8): Screw (M5x16) (2x)

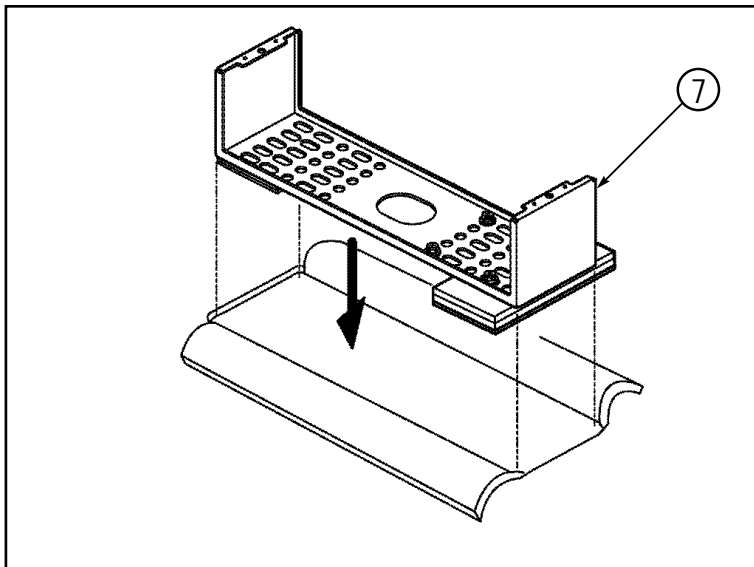


Fig. 38

14. Attach the base bracket (7) on the floor on the driver side.

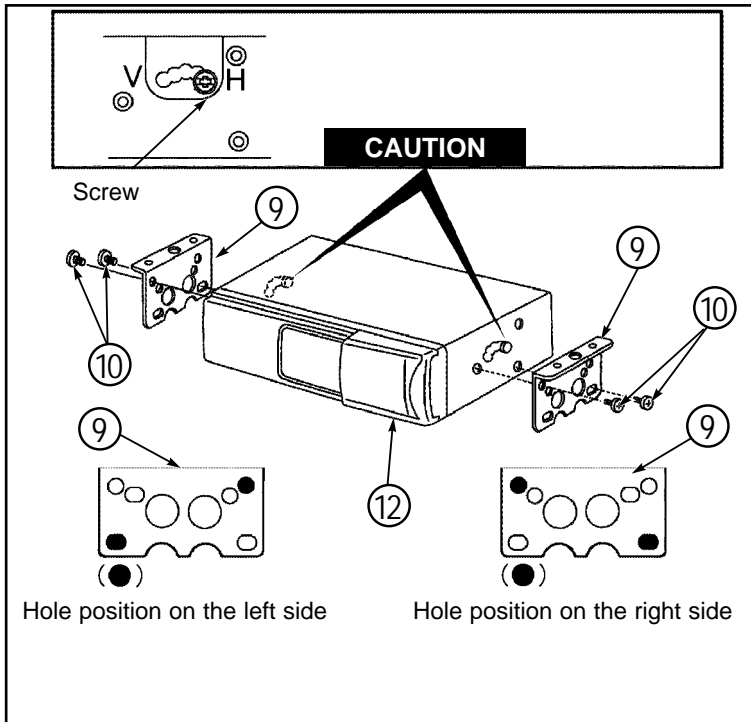


Fig. 39

15. Mount the side brackets ⑨ (2x) to the changer unit ⑫.
 ⑩: Bolt (M5x8) (4x)

CAUTION

Loosen the screws ⑩ before moving them. Tighten up after the position is changed.

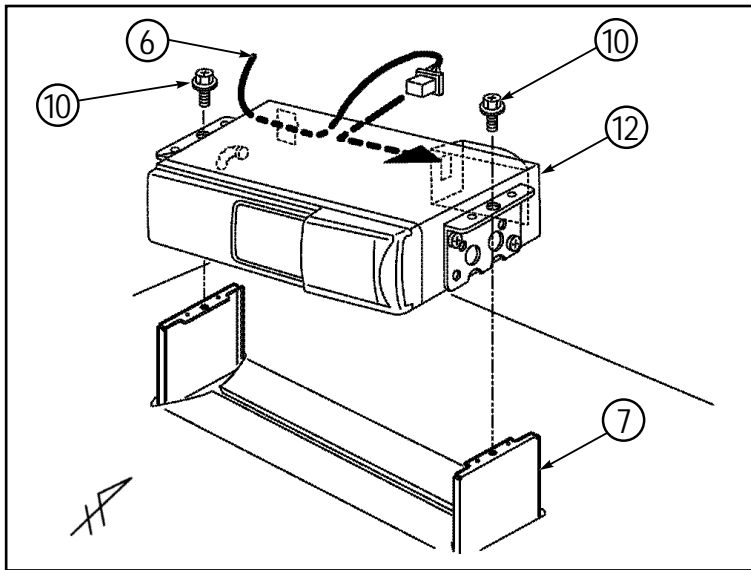
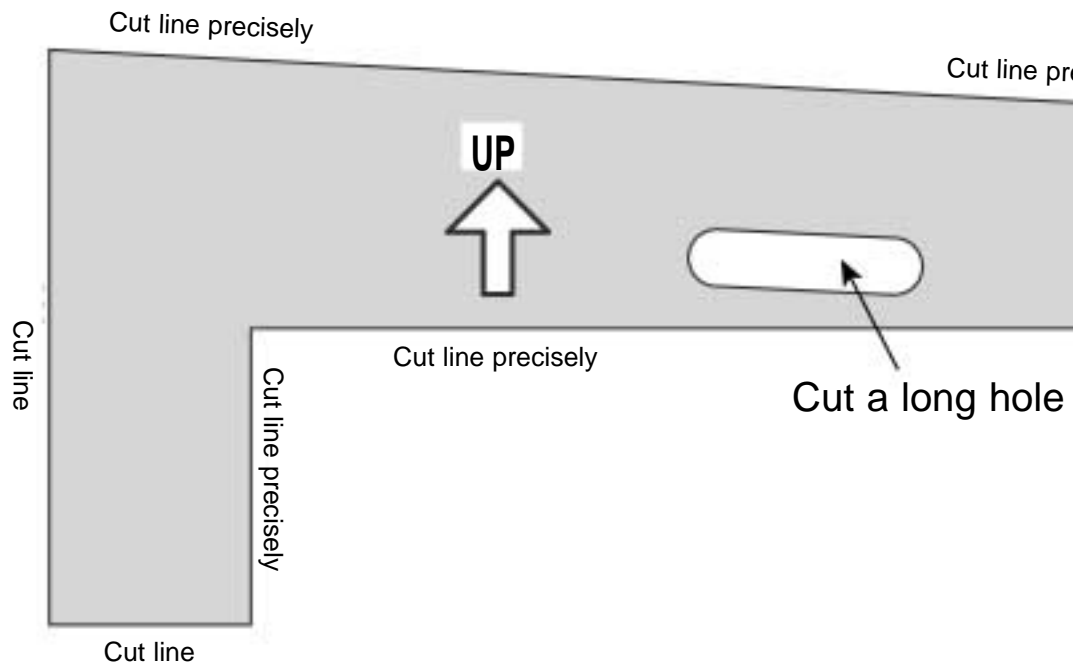
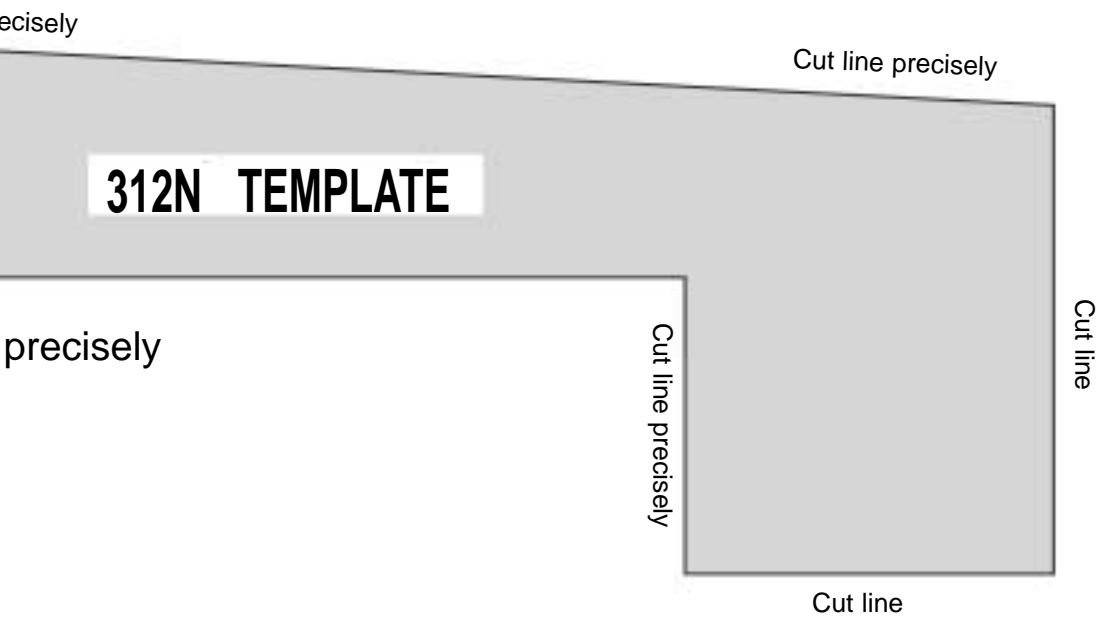


Fig. 40

16. Fit the changer unit ⑫.
 - a) Connect the changer wire ⑥ to the changer unit ⑫.
 - b) Mount the changer unit ⑫ onto the base bracket ⑦ using screws ⑩.
 ⑩: Bolt (M5x10) (4x)

**ENSURE THAT ALL REMOVED CONNECTORS ARE PUT BACK CORRECTLY.
 REFIT THE TRIM AND REMOVED PARTS.**





TOYOTA MOTOR CORPORATION

