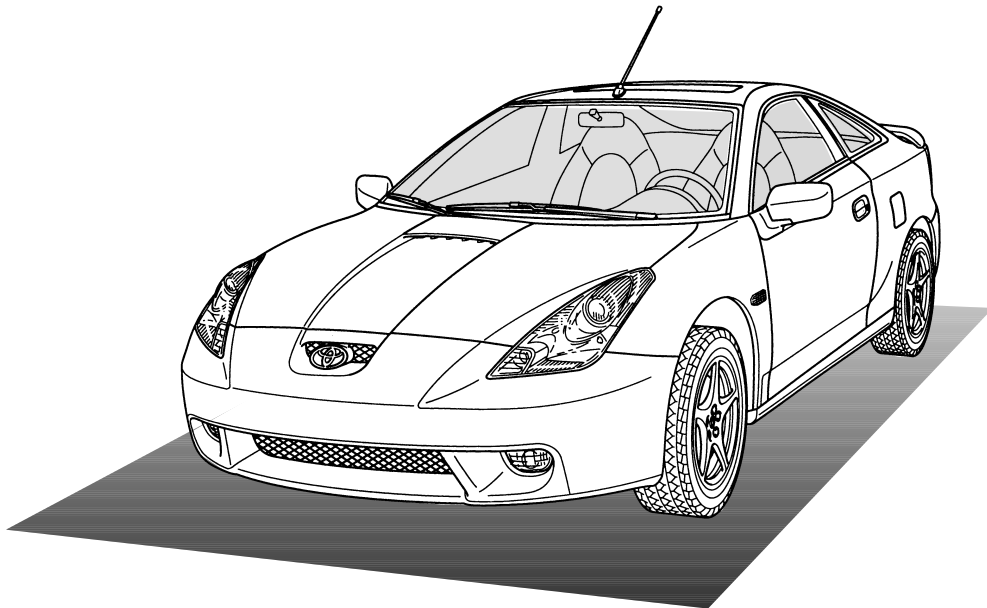




Toyota Genuine Audio


INSTALLATION INSTRUCTIONS

FOR



CELICA

****T23* (RHD)**

TABLE OF CONTENTS 

1. Application Chart 4

2. Radio + 1 Din Add on Unit Installation 6

- Radio (Audio Line)
- CD-Deck
- CD-Changer in Dash
- Cassette / CD Storage Box

3. 6 Disc CD Changer Installation 10

- Vehicles without deck floor box
- Vehicles with deck floor box

4. MD Changer Installation 22

5. Subwoofer Installation 27

1. APPLICATION CHART FOR CELICA

Combination	Head unit	Add on units						Necessary parts
		CD-Deck	CD-Changer	In dash CD-Changer	MD-Changer	Navigation System	CD/Cassette-storage	
Radio/Cassette	TF4301 (08600-00922)						-	
	TM4200 (08600-00918)						-	
	TM4000 (08600-00888)						-	
	TF4001 (08600-00921)						-	
	TF2002 (08600-00920)						-	
	TM2001 (08600-00917)						-	
CD-Tuner	TM4411 (08600-00919)							
Radio/Cassette + Cassette storage	TF4301 (08600-00922)						-	
	TM4200 (08600-00918)						-	
	TM4000 (08600-00888)						-	
	TF4001 (08600-00921)						-	
	TF2002 (08600-00920)						-	
	TM2001 (08600-00917)						-	
CD-Tuner + CD-storage	TM4411 (08600-00919)							
Radio/Cassette + CD-Deck	TF0411 (08601-00893)						-	
	TF0410 (08601-00861)						-	
Radio/Cassette + CD-Changer	TF4301 (08600-00922)		TM0461 (08601-00879)				-	
	TM4000 (08600-00888)		TM0461 (08601-00879)				-	
Radio/Cassette + CD-Changer + CD/Cassette-storage	TF4301 (08600-00922)			TM0561 (08601-00892)			-	
	TM4000 (08600-00888)						-	
Radio/Cassette + MD-changer	TF4301 (08600-00922)		TM0461 (08601-00879)		TM0660 (08601-00900)		MD-changer F/K*	
	TM4000 (08600-00888)		TM0461 (08601-00879)		TM0660 (08601-00900)		MD-changer F/K*	
Radio/Cassette + MD-changer + Cassette-storage	TF4301 (08600-00922)					TMNS500 (08545-00803)		
	TM4000 (08600-00888)							
Radio/Cassette + Navigation	TF4301 (08600-00922)							
	TM4000 (08600-00888)							
Radio/Cassette + CD-Deck + MD-Changer	TF4301 (08600-00922)	TF0411 (08601-00893)			TM0660 (08601-00900)		3-junction cord (08695-00260) + MD-changer F/K	
	TM4000 (08600-00888)	TF0410 (08601-00861)					3-junction cord (08695-00260) + MD-changer F/K	

* MD-Changer F/K: LHD:PZ425-10260-60
RHD:PZ425-10261-60

Combination	Head unit	Add on units						Necessary parts
		CD-Deck	CD-Changer	In dash CD-Changer	MD-Changer	Navigation System	CD/Cassette- storage	
Radio/Cassette + CD-Changer + MD-Changer	TF4301 (08600-00922)		TM0461 (08601-00879)		TM0660 (08601-00900)		3-junction cord (08695-00260) + MD-changer F/K	
	TM4000 (08600-00888)		"		"			
Radio/Cassette + CD-Changer + MD-Changer + CD/Cass-storage	TF4301 (08600-00922)		TM0461 (08601-00879)		TM0660 (08601-00900)		3-junction cord (08695-00260) + MD-changer F/K	
	TM4000 (08600-00888)		"		"	CD (PZ437-90341-00) Cassette (PZ437-90342-00)		
Radio/Cassette + In Dash CD-Changer + MD-Changer	TF4301 (08600-00922)			TM0561 (08601-00892)	TM0660 (08601-00900)		3-junction cord (08695-00260) + MD-changer F/K	
	TM4000 (08600-00888)			"	"			
Radio/Cassette + MD-Changer + Navigation	TF4301 (08600-00922)				TM0660 (08601-00900)	TNS500 (08545-00803)	3-junction cord (08695-00260) + MD-changer F/K	
	TM4000 (08600-00888)				"	"		

* MD-Changer F/K: LHD:PZ425-10260-60
RHD:PZ425-10261-60

2. RADIO INSTALLATION + 1 DIN ADD ON UNIT INSTALLATION



Radio (Audio Line), CD-Deck, CD-Changer in Dash, Cassette/CD-Storage Box

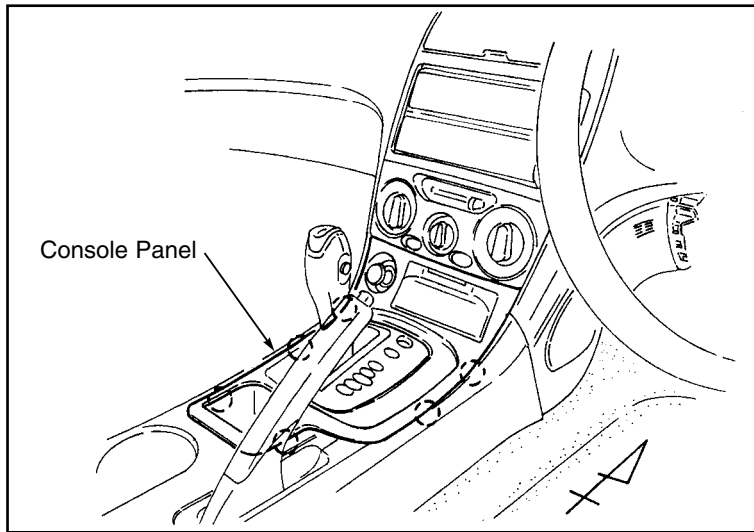


Fig. 1

FOR A/T MODELS

1. Remove the console panel.

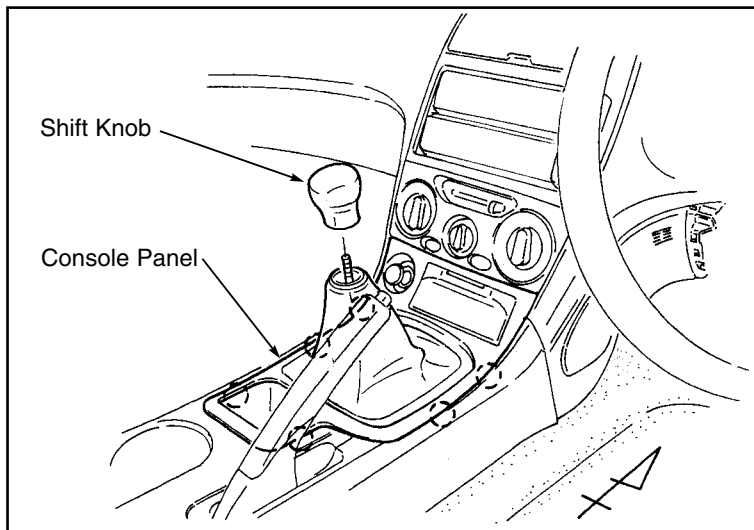


Fig. 2

FOR M/T MODELS

1. Remove the shift knob and console panel.
2. Remove the console box.

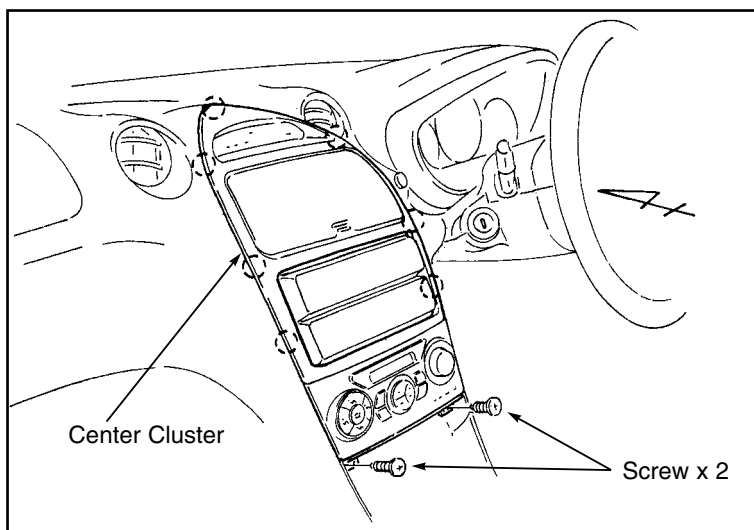


Fig. 3

FOR VEHICLES WITH AUTO AIR CONDITIONER

3. Remove the center cluster.

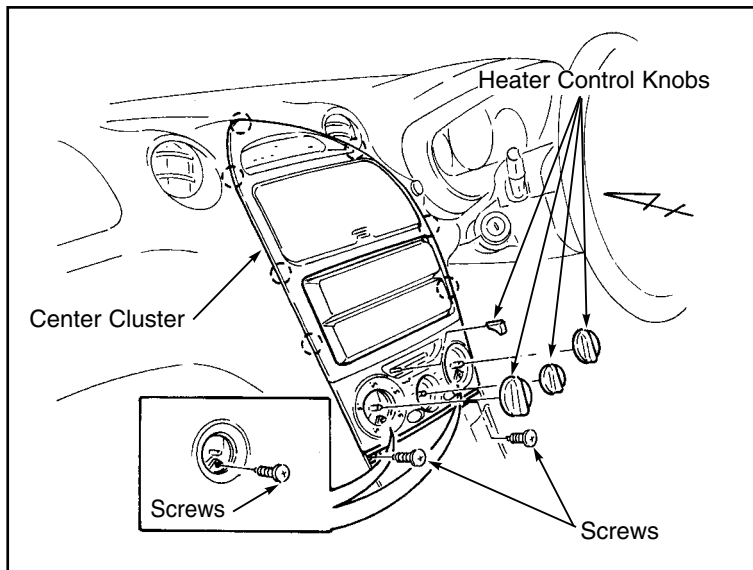


Fig. 4

FOR VEHICLES WITH MANUAL AIR CONDITIONER

4. Remove the heater control knobs and center cluster.

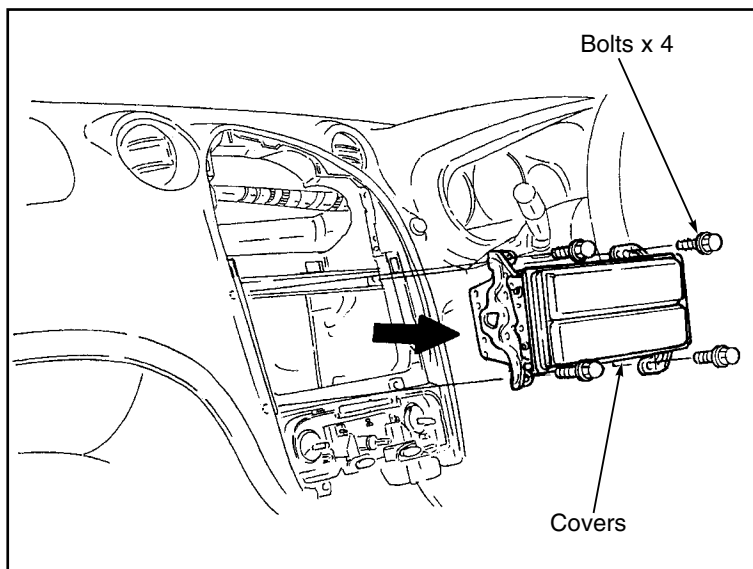


Fig. 5

5. Remove the covers.

2.1. RADIO INSTALLATION

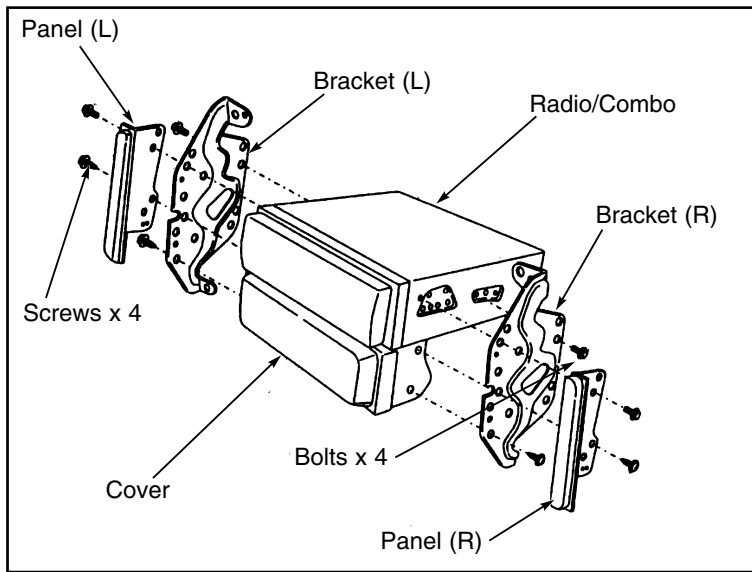


Fig. 6

1. Remove the upper cover.
Install the radio on the top location.

2.2 RADIO + 1 DIN ADD ON UNIT INSTALLATION

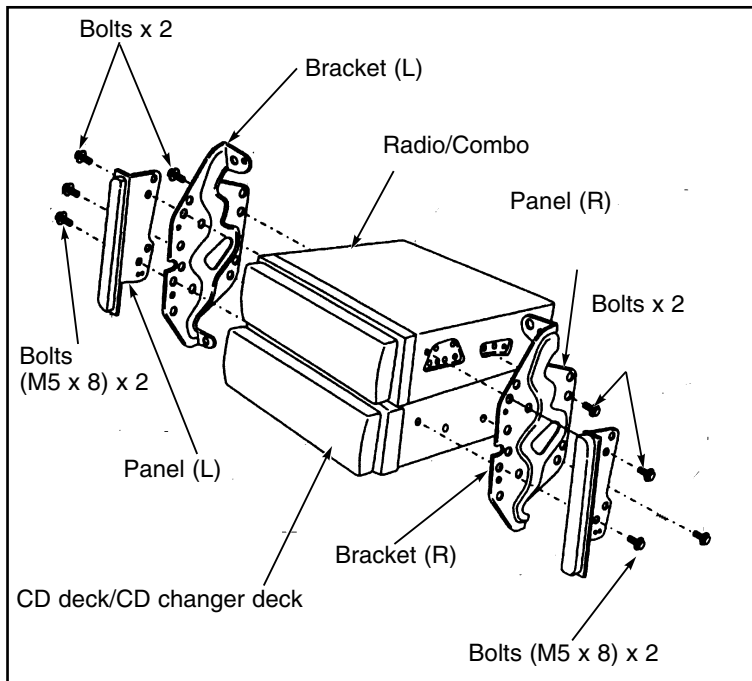


Fig. 7

1. Install the panel and brackets onto the radio and
 - CD-deck
 - CD-changer in dash
 - Cassette / CD-storage box.

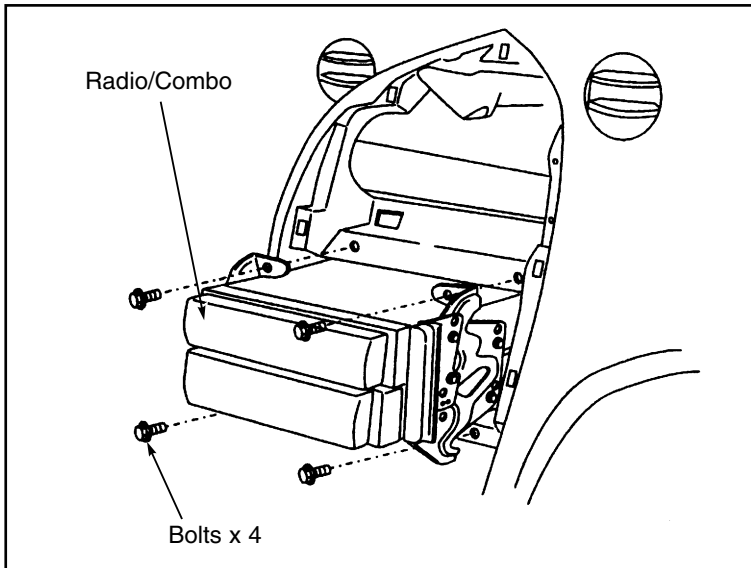


Fig. 8

2. Plug in all the connectors.
Install the audio combination.



3. 6 DISC CD-CHANGER INSTALLATION

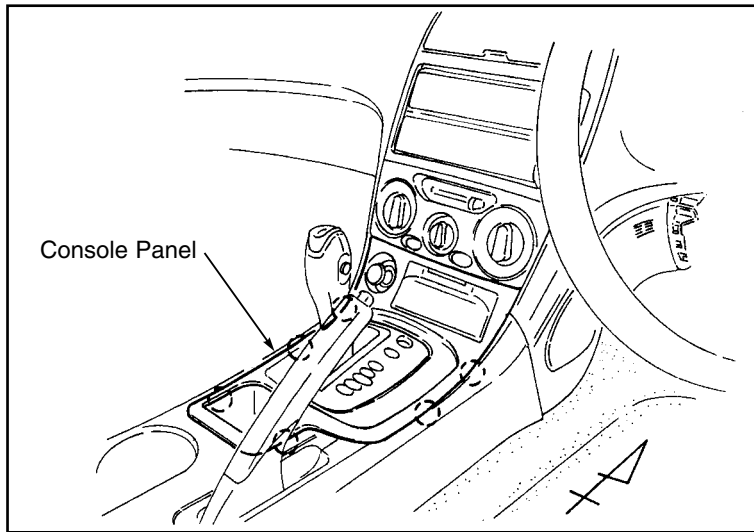


Fig. 9

FOR A/T MODELS

1. Remove the console panel.

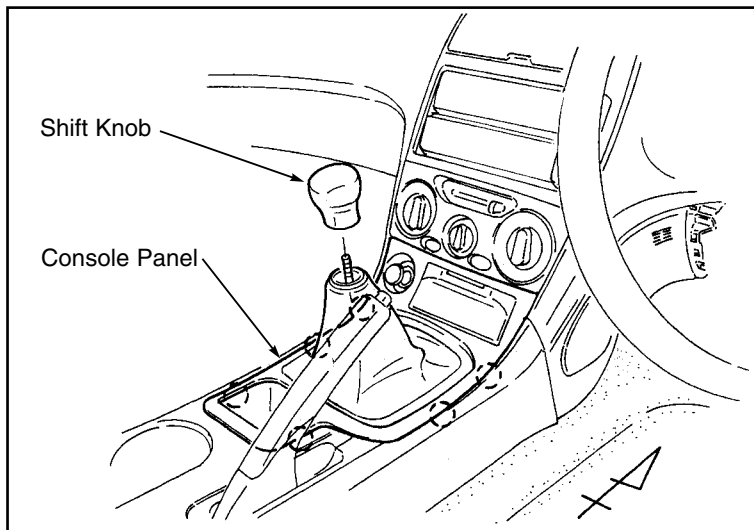


Fig. 10

FOR M/T MODELS

1. Remove the shift knob and console panel.
2. Remove the console box.

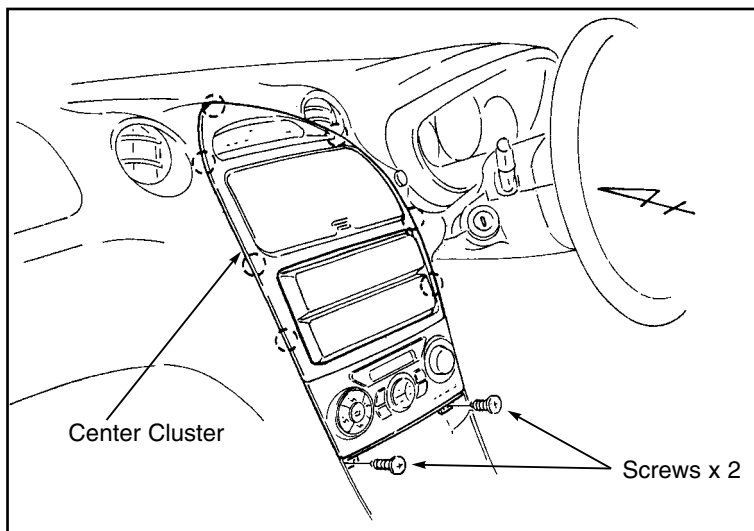


Fig. 11

FOR VEHICLES WITH AUTO AIR CONDITIONER

3. Remove the center cluster.

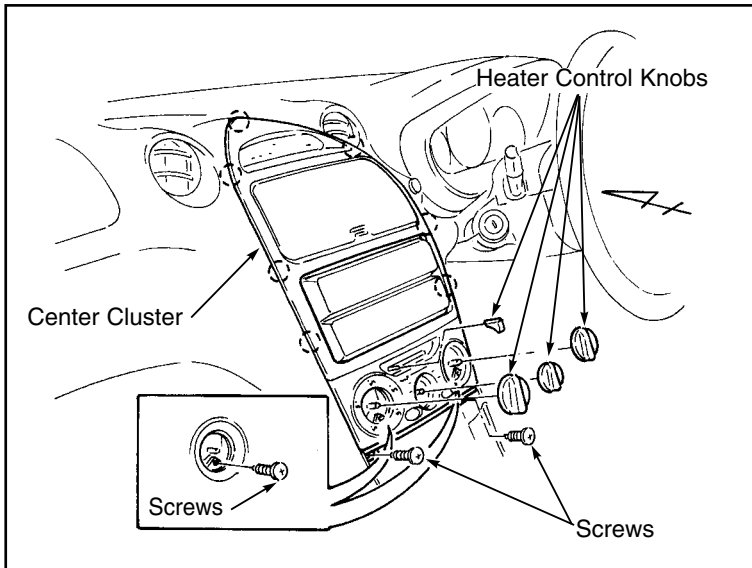


Fig. 12

FOR VEHICLES WITH MANUAL AIR CONDITIONER

4. Remove the heater control knobs and center cluster.

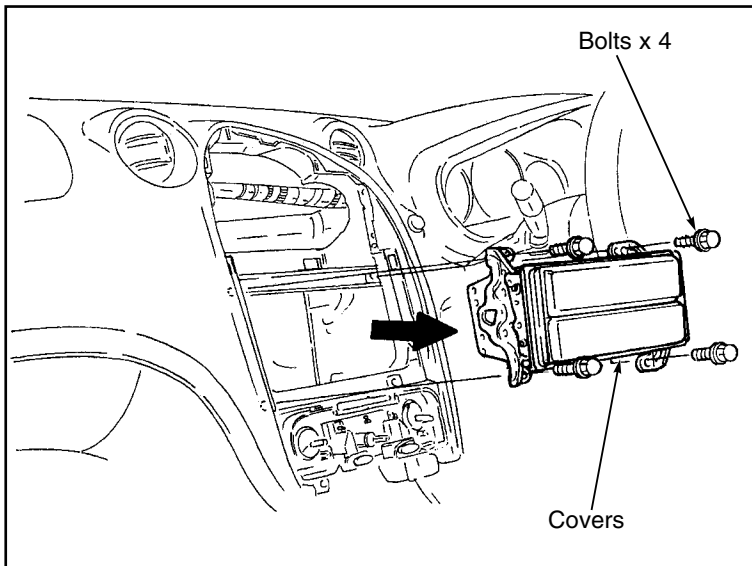


Fig. 13

5. Remove the covers.

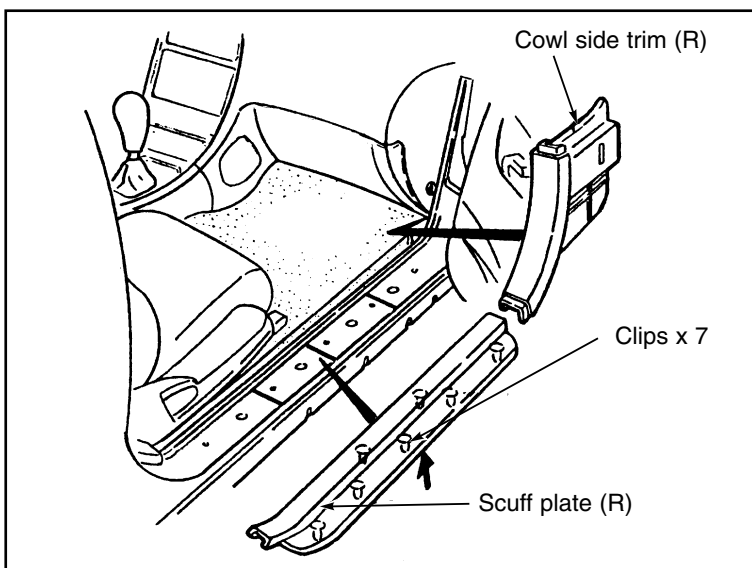


Fig. 14

6. Remove the scuff plate and cowl side trim.

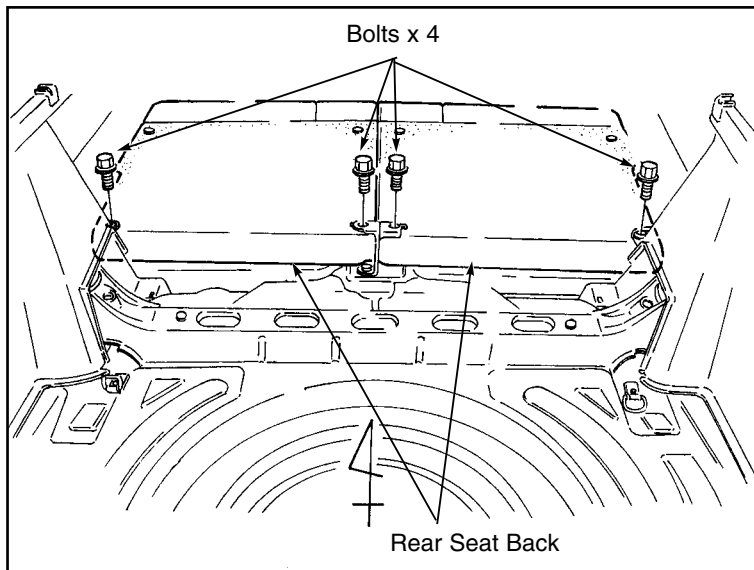


Fig. 15

7. Remove the rear seat back.

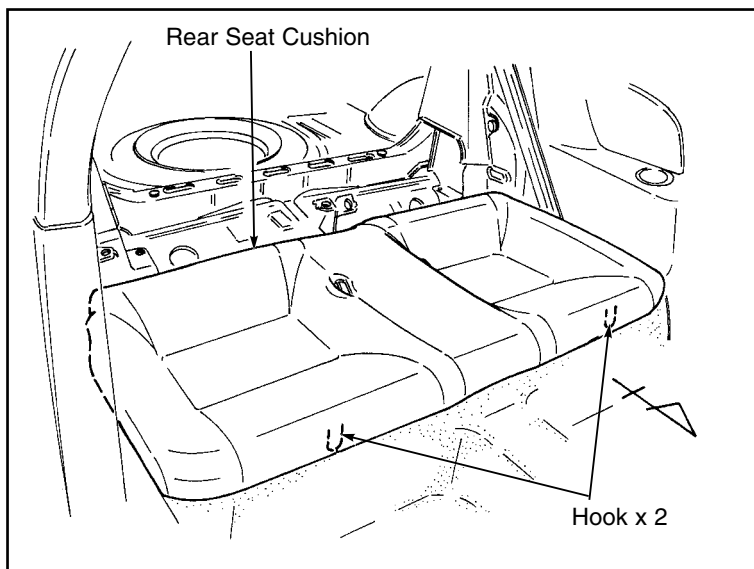


Fig. 16

8. Remove the rear seat cushion.

3.1. VEHICLES WITHOUT DECK FLOOR BOX

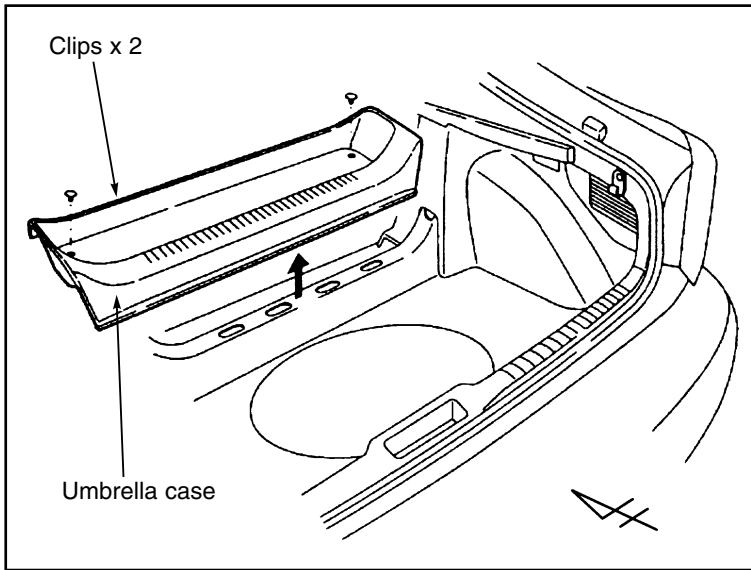


Fig. 17

1. Remove the umbrella case.

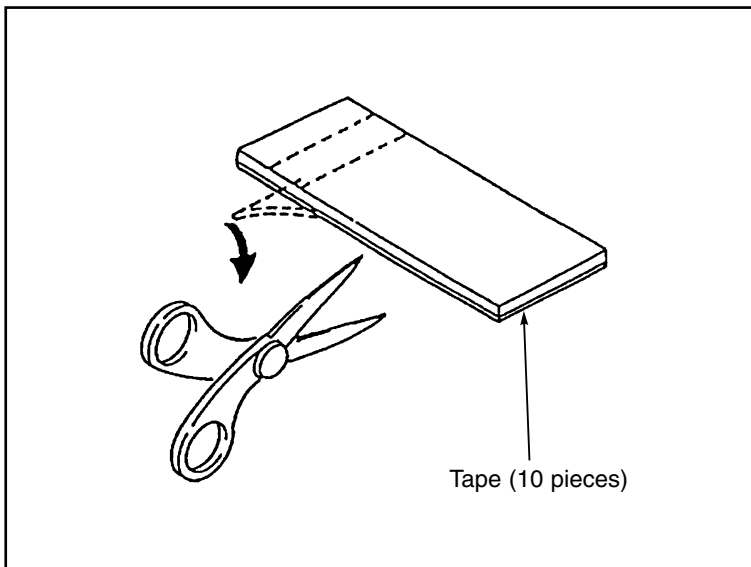


Fig. 18

2. Cut the tape (10 pieces).

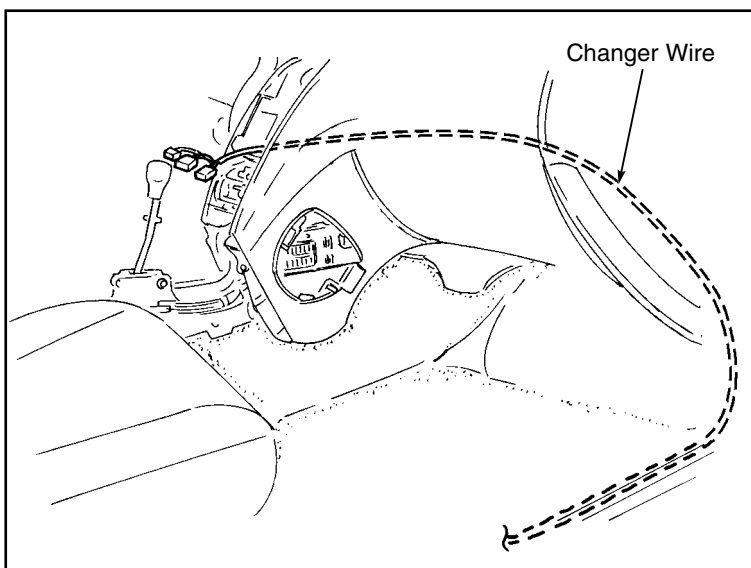


Fig. 19

3. Route the changer wire.

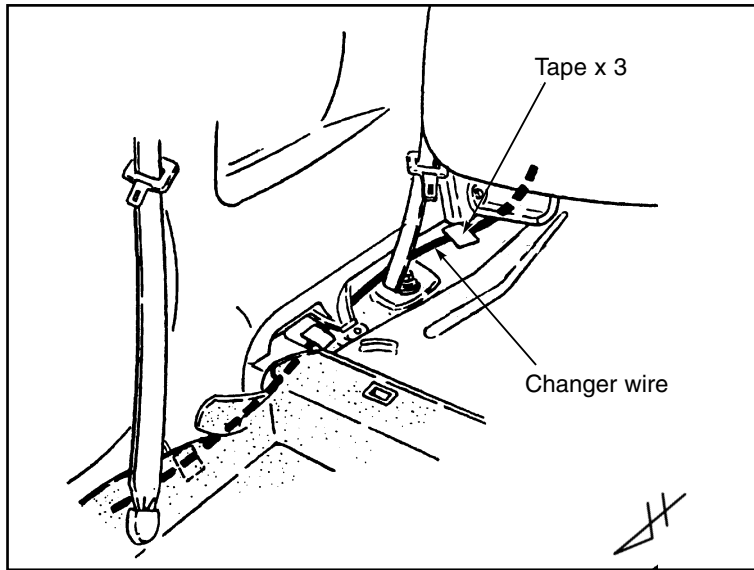


Fig. 20

4. Route the changer wire.

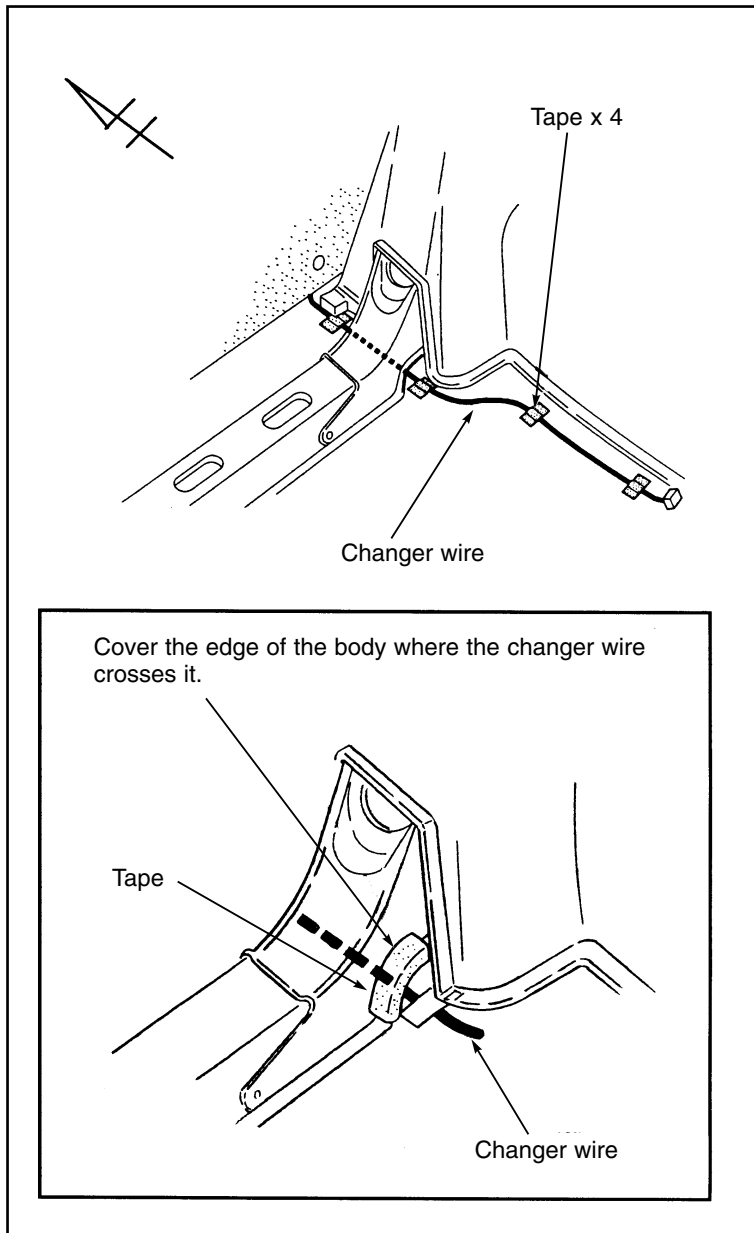


Fig. 21

5. Route the changer wire.

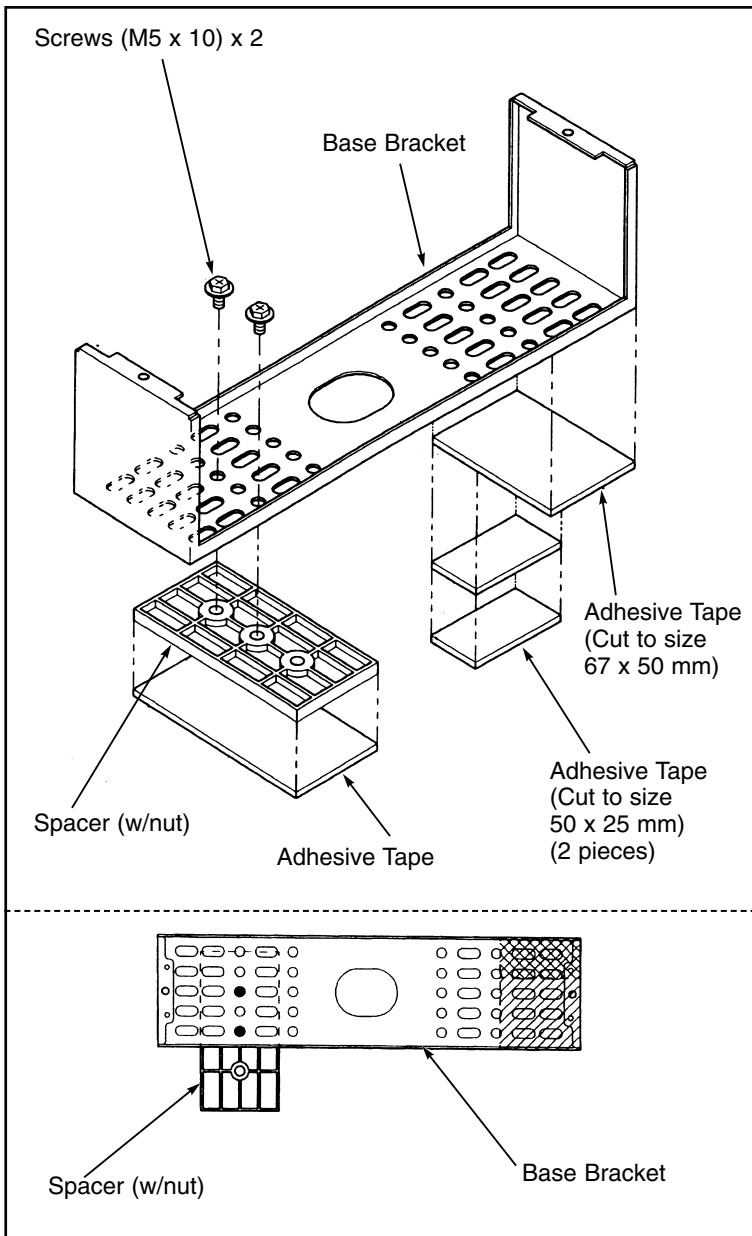


Fig. 22

6. Remove the luggage carpet before installation.
7. Attach the adhesive tapes and spacer to the base bracket.

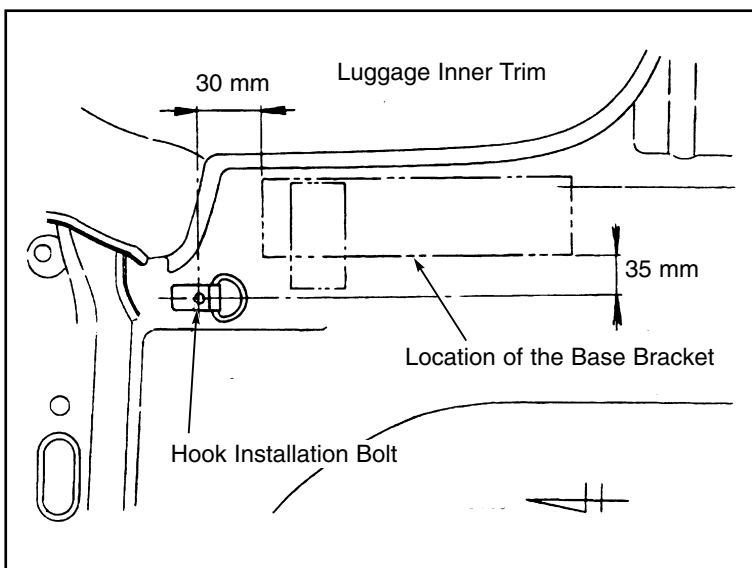


Fig. 23

8. Route the base bracket on the floor.

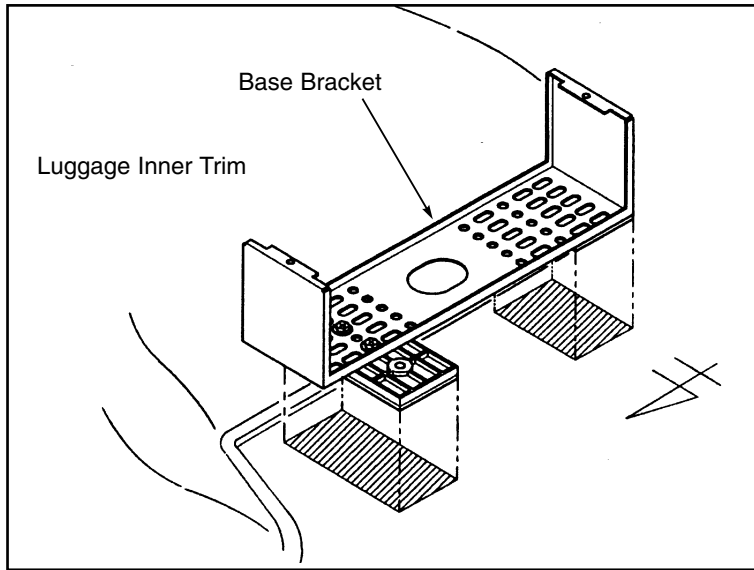


Fig. 24

9. Attach the base bracket on the floor.

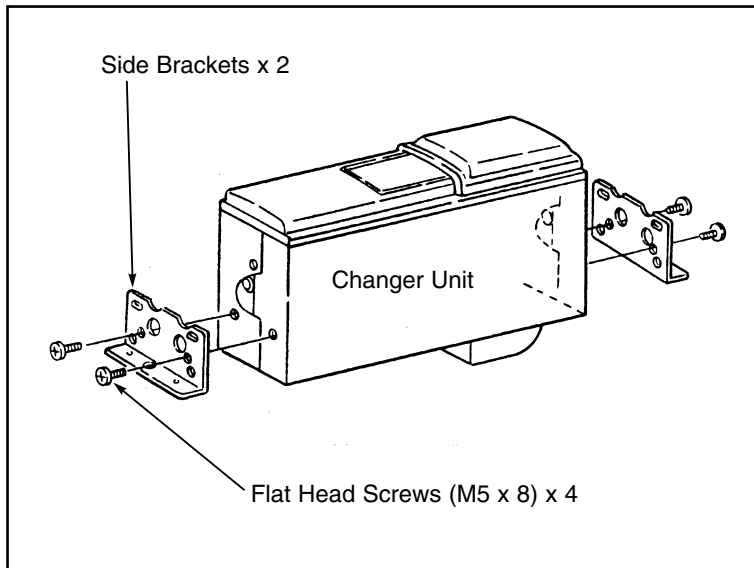


Fig. 25

10. Install the side brackets to the changer unit.

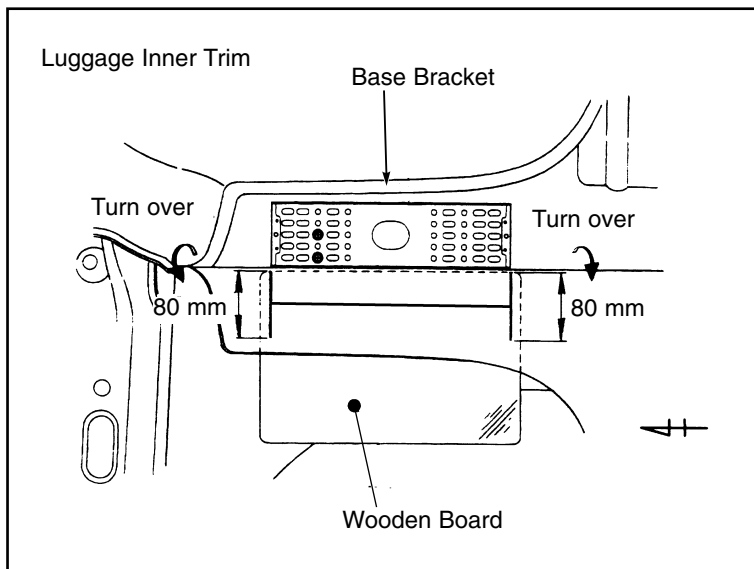


Fig. 26

11. Place back the luggage carpet and make slits at two places for the base bracket to come through.

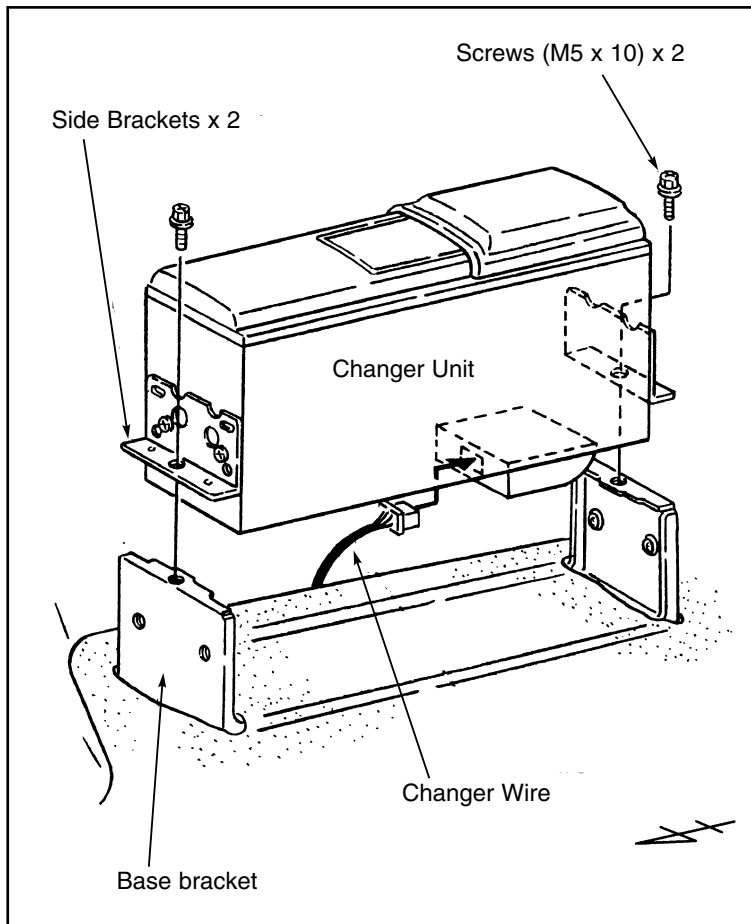


Fig. 27

12. Reposition the carpet and place the base bracket underneath it. Also make the changer wire go through the carpet.
13. Connect the changer wire to the changer unit. Then install the changer unit to the base bracket.

3.2. VEHICLES WITH DECK FLOOR BOX

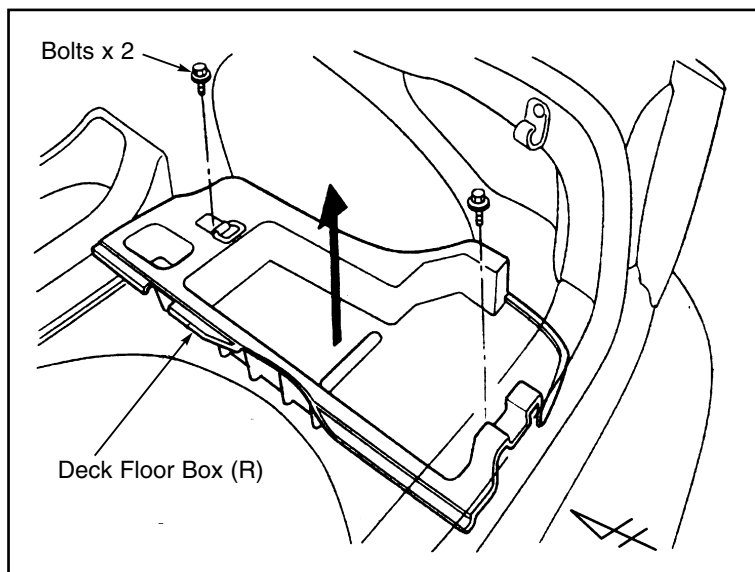


Fig. 28

1. Remove the deck floor box (R).

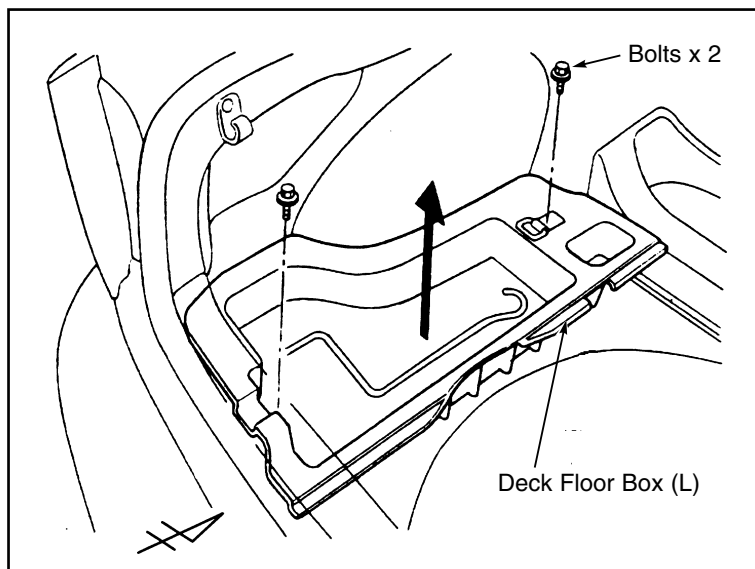


Fig. 29

2. Remove the deck floor box (L).

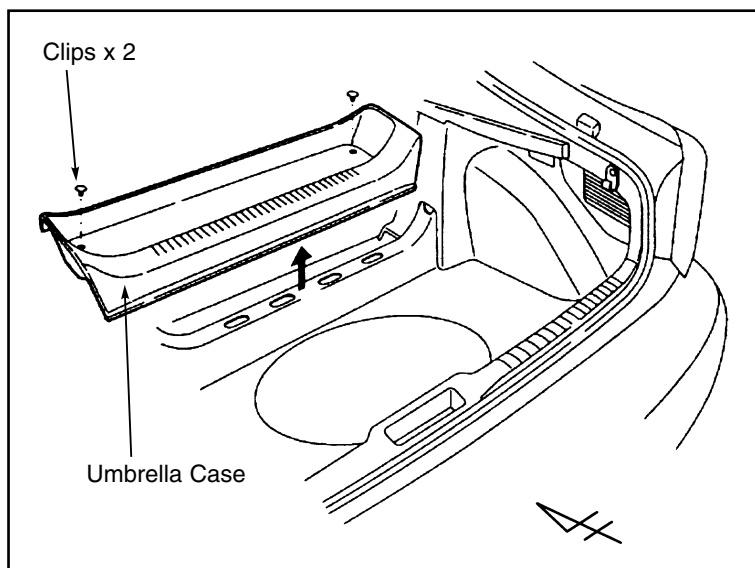


Fig. 30

3. Remove the umbrella case.

- 4. Cut the tape (10 pieces).

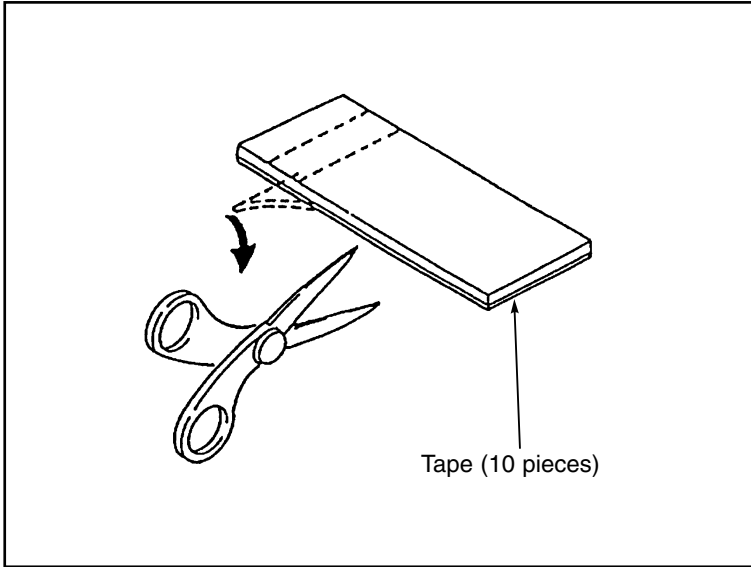


Fig. 31

- 5. Route the changer wire.

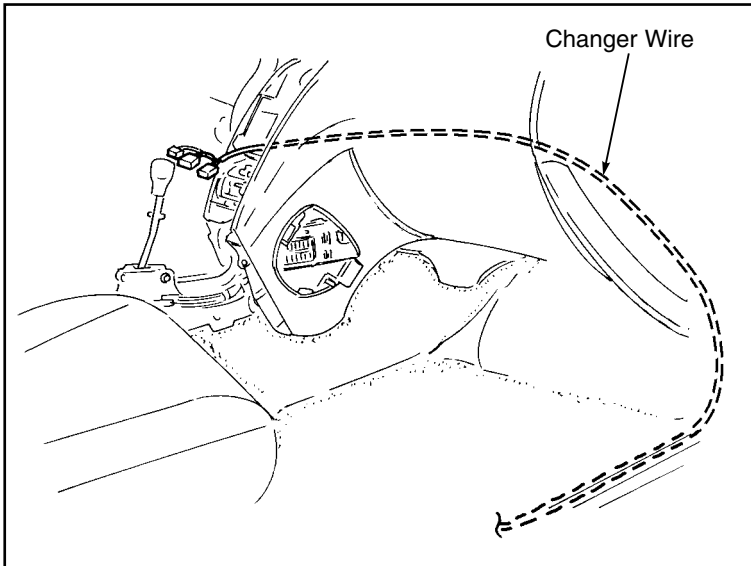


Fig. 32

- 6. Route the changer wire.

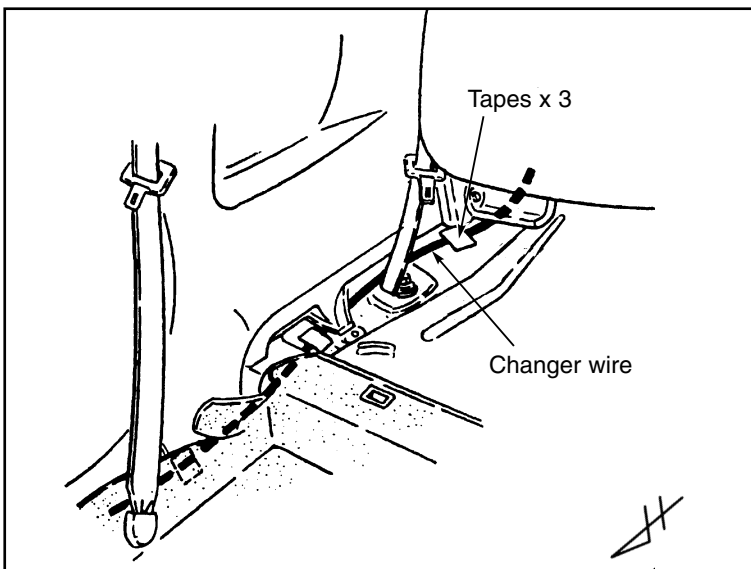


Fig. 33

7. Route the changer wire.

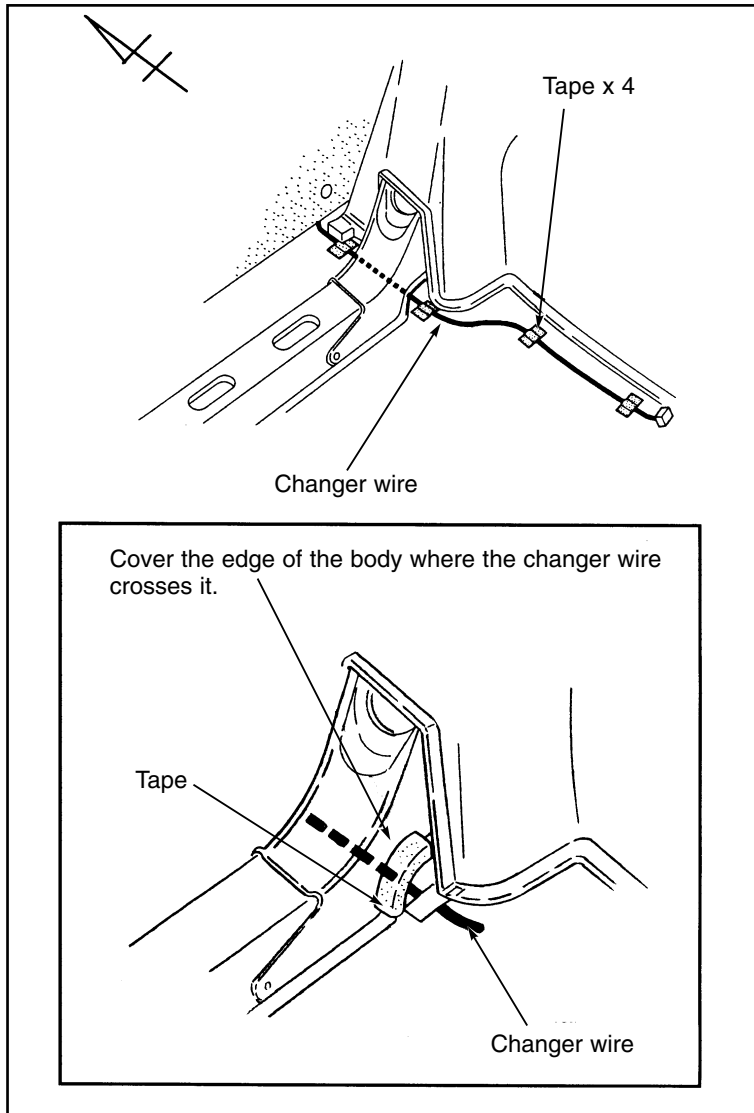


Fig. 34

8. Make a cutout (15 x 15 mm) with a cutter knife as shown in the figure. Make screw holes in the deck floor box as shown.

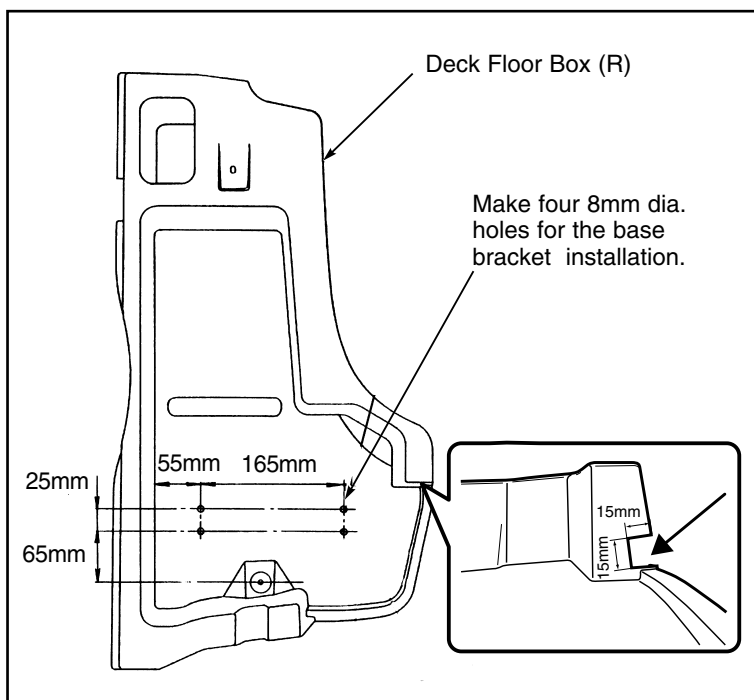


Fig. 35

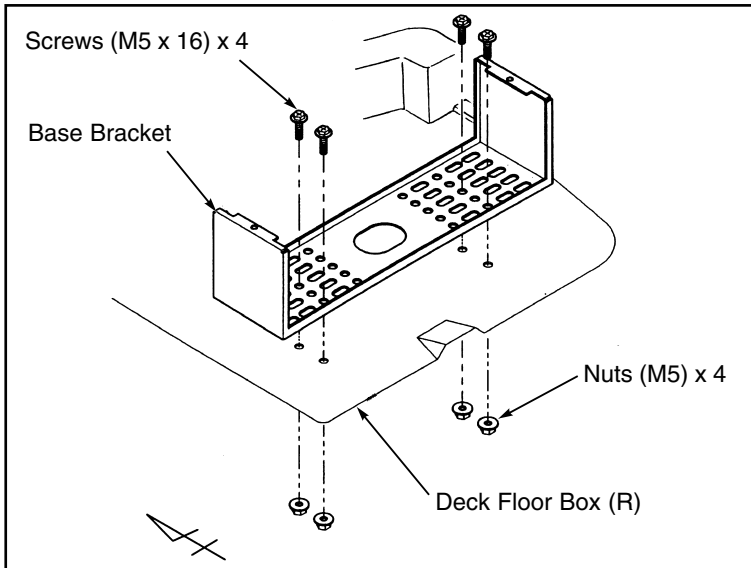


Fig. 36

- Attach the base bracket on the deck floor box.

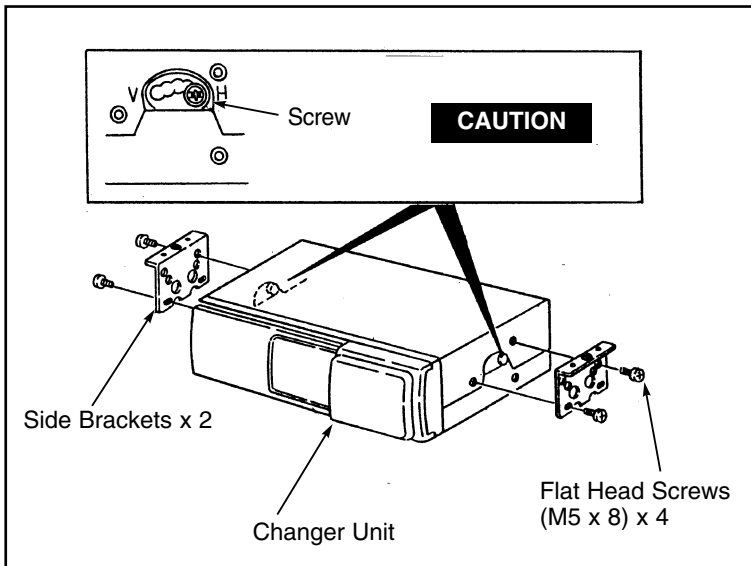


Fig. 37

- Install the side brackets to the changer unit.

CAUTION: Loosen the screws before moving them. Tighten up after the position is changed.

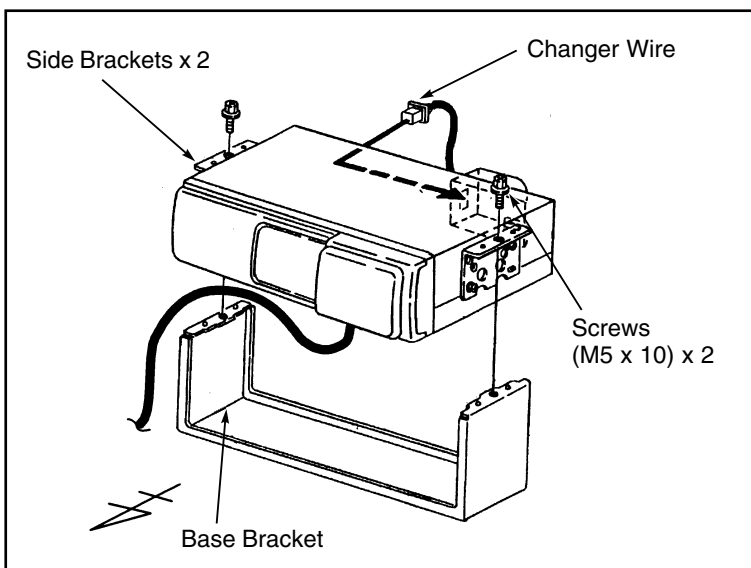


Fig. 38

- Connect the changer wire to the changer unit. Then install the changer unit to the base bracket.



4. MD-CHANGER INSTALLATION

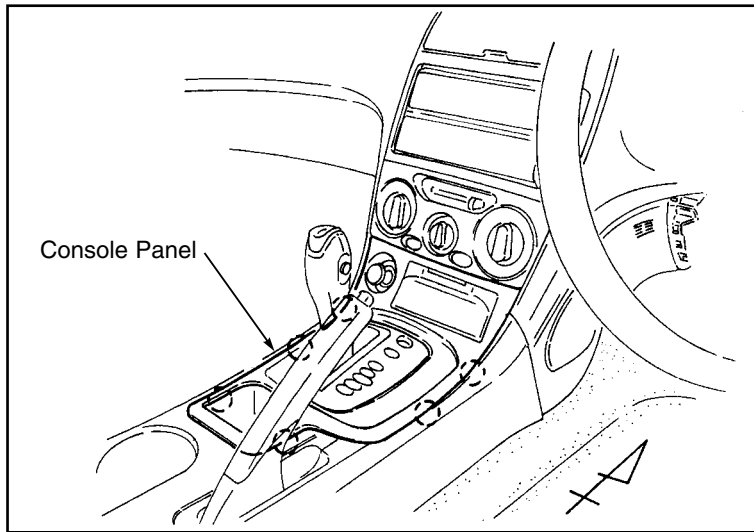


Fig. 39

FOR A/T MODELS

1. Remove the console panel.

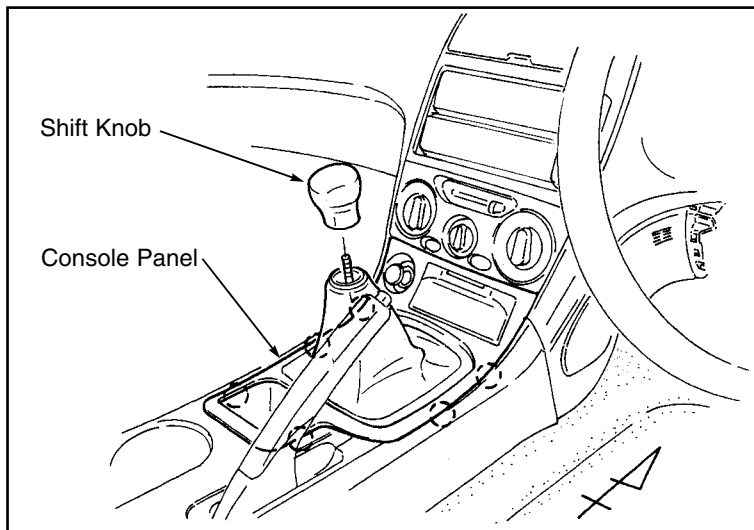


Fig. 40

FOR M/T MODELS

1. Remove the shift knob and console panel.
2. Remove the console box.

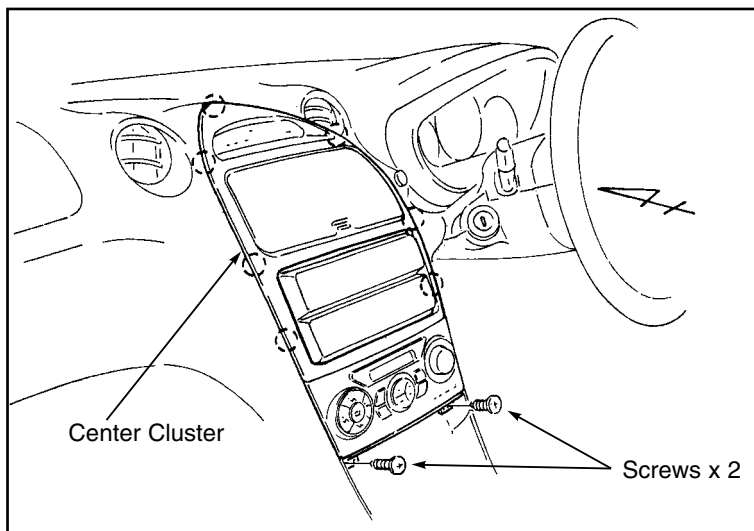


Fig. 41

FOR VEHICLES WITH AUTO AIR CONDITIONER

3. Remove the center cluster.

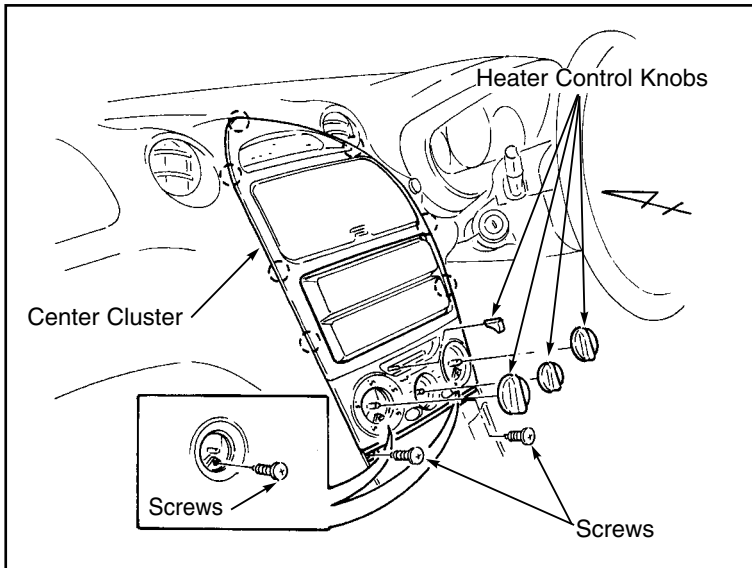


Fig. 42

FOR VEHICLES WITH MANUAL AIR CONDITIONER

4. Remove the heater control knobs and center cluster.

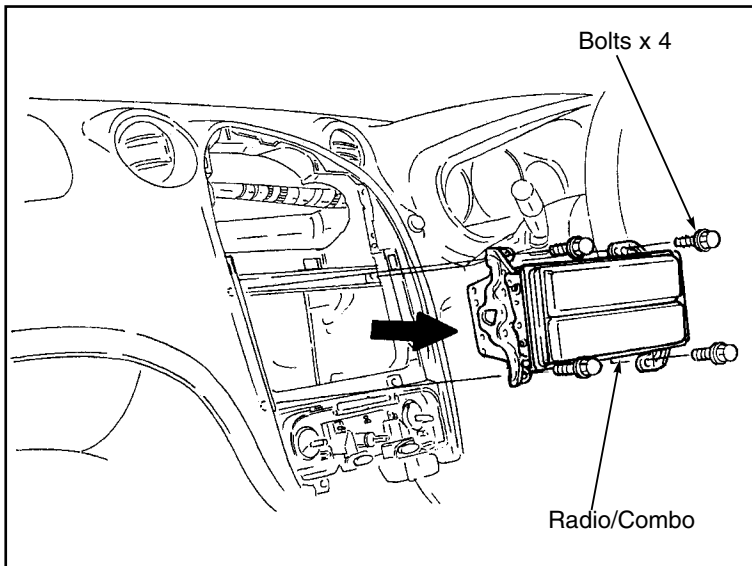


Fig. 43

5. Remove the radio combination.

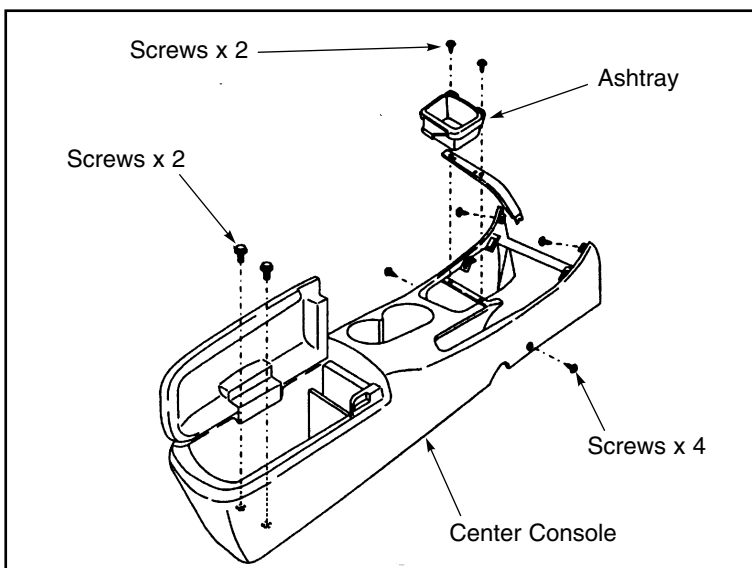


Fig. 44

6. Remove the ashtray and center console.

7. Cut the tape (10 pieces).

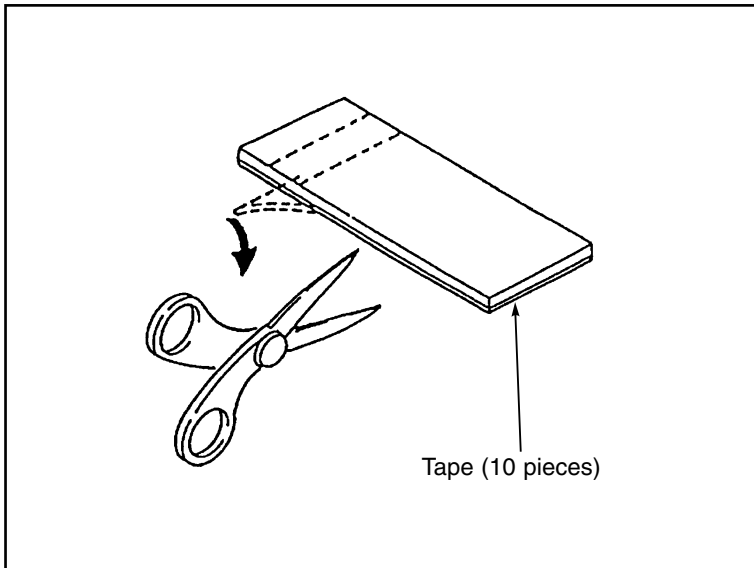


Fig. 45

8. Route the changer wire in the mid console area.

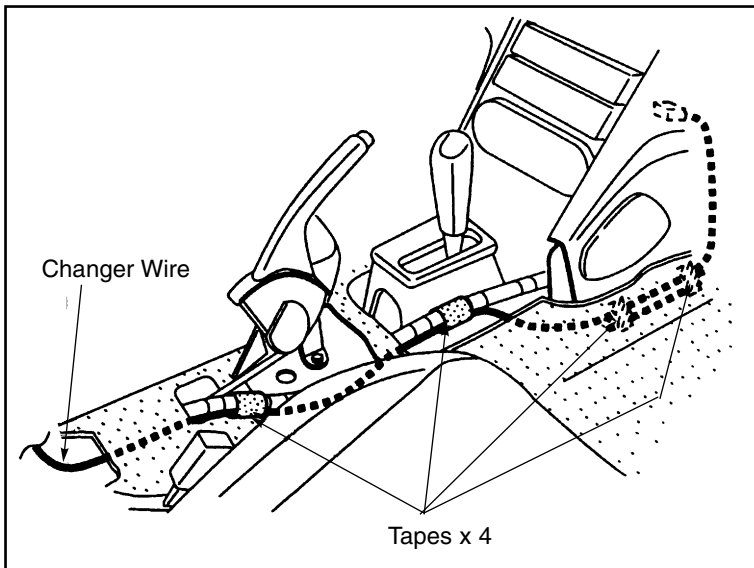


Fig. 46

9. Route and attach the ground wire.

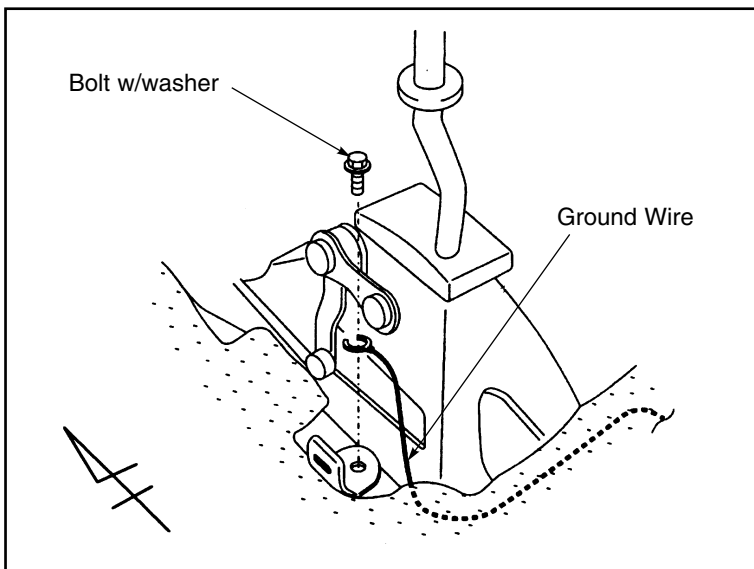


Fig. 47

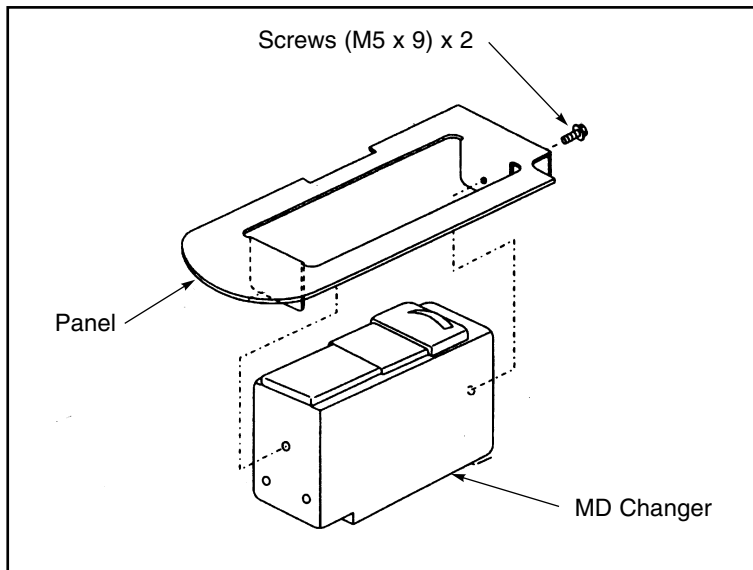


Fig. 48

10. Attach the panel to the MD changer.
 Panel for MD changer:
 LHD: PZ425-10260-60
 RHD: PZ 425-10261-60

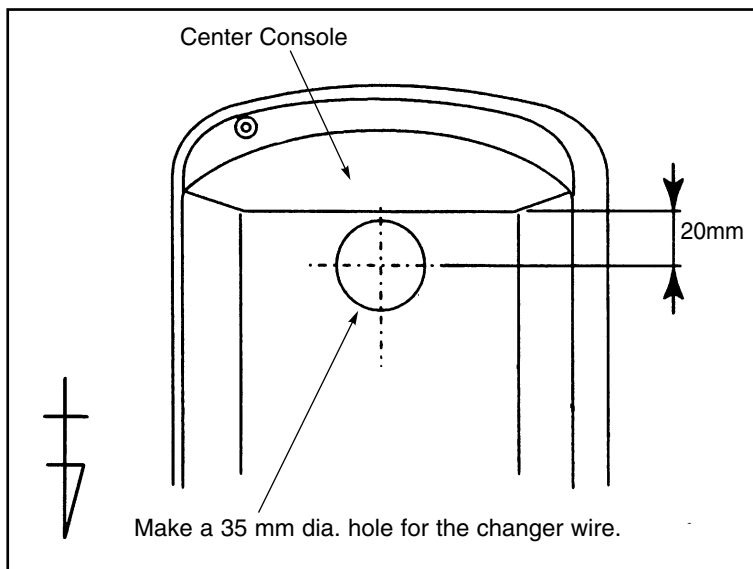


Fig. 49

11. Drill a hole of 35 mm in the center console as shown.

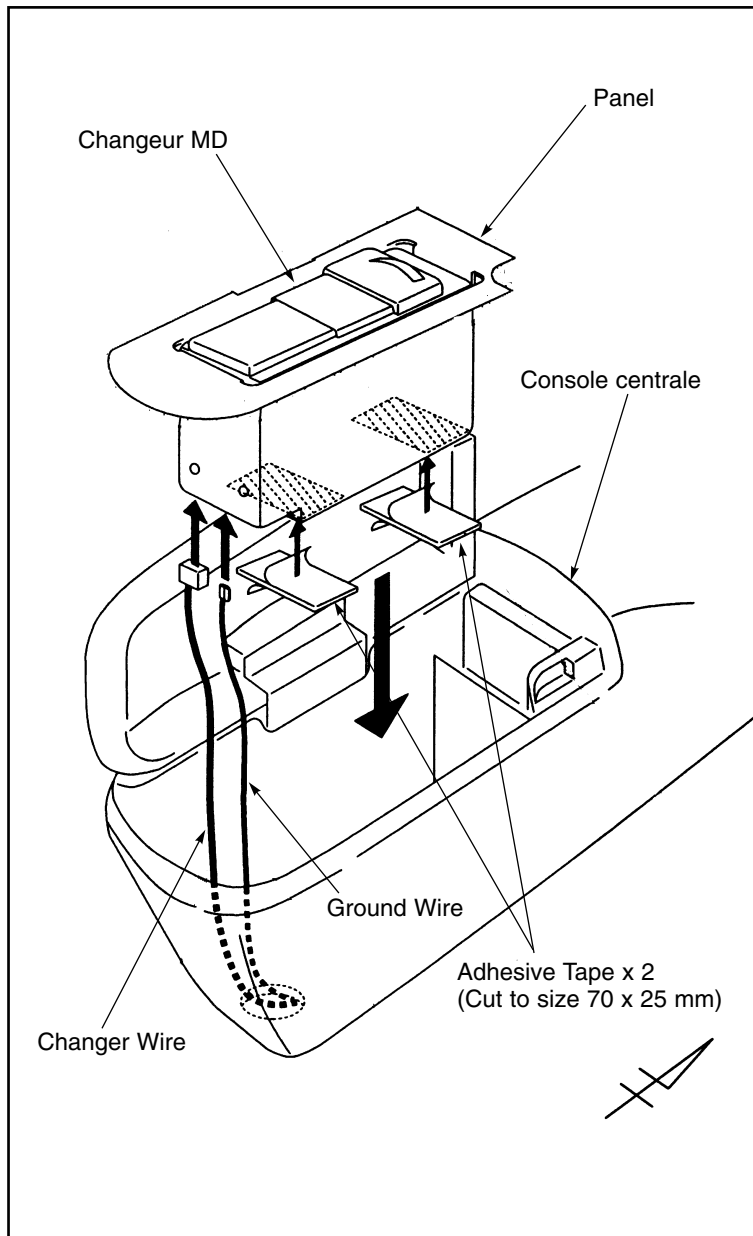


Fig. 50

12. Connect the changer wire and ground wire to the MD changer. Then install the MD changer to the center console with adhesive tape.

5. SUBWOOFER INSTALLATION

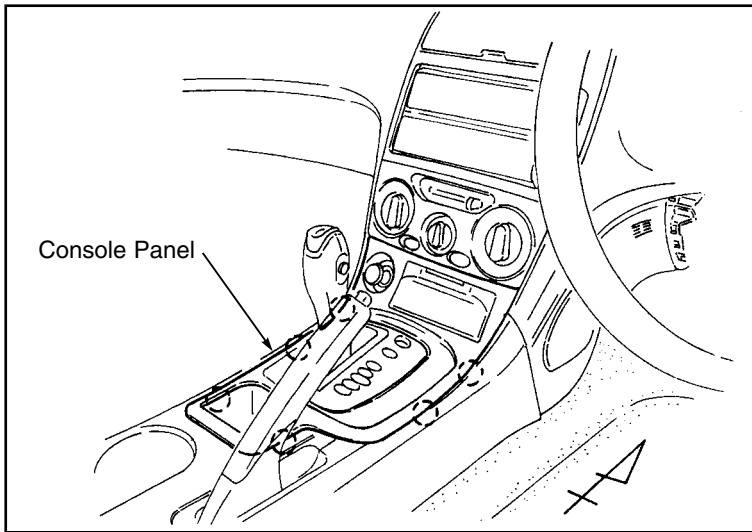


Fig. 51

FOR A/T MODELS

1. Remove the console panel.

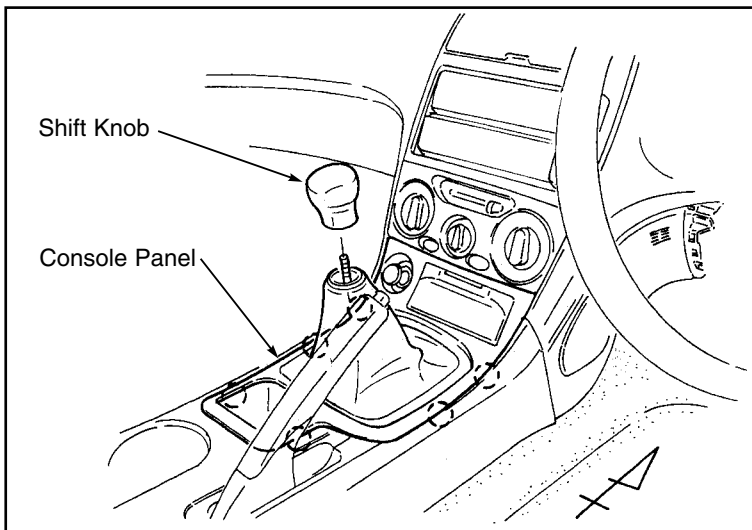


Fig. 52

FOR M/T MODELS

1. Remove the shift knob and console panel.
2. Remove the console box.

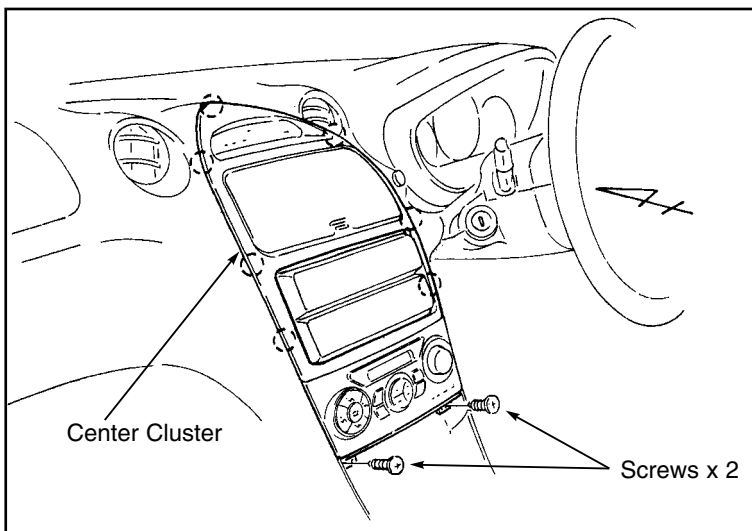


Fig. 53

FOR VEHICLES WITH AUTO AIR CONDITIONER

3. Remove the center cluster.

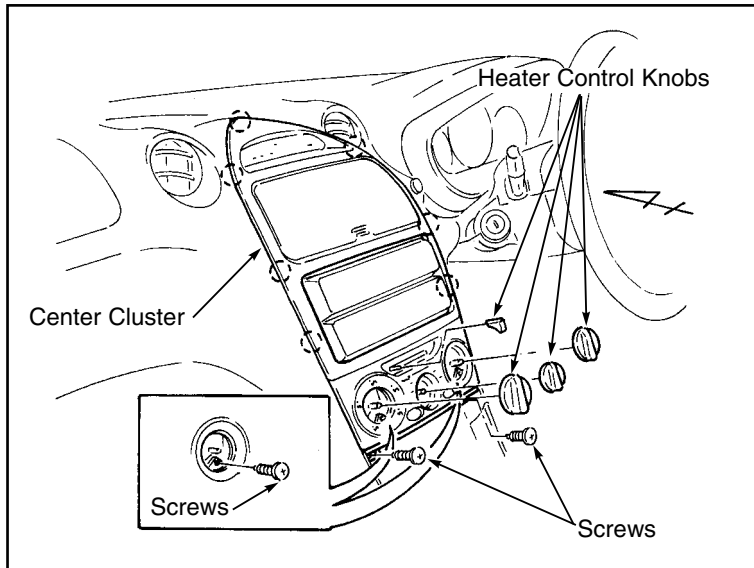


Fig. 54

FOR VEHICLES WITH MANUAL AIR CONDITIONER

4. Remove the heater control knobs and center cluster.

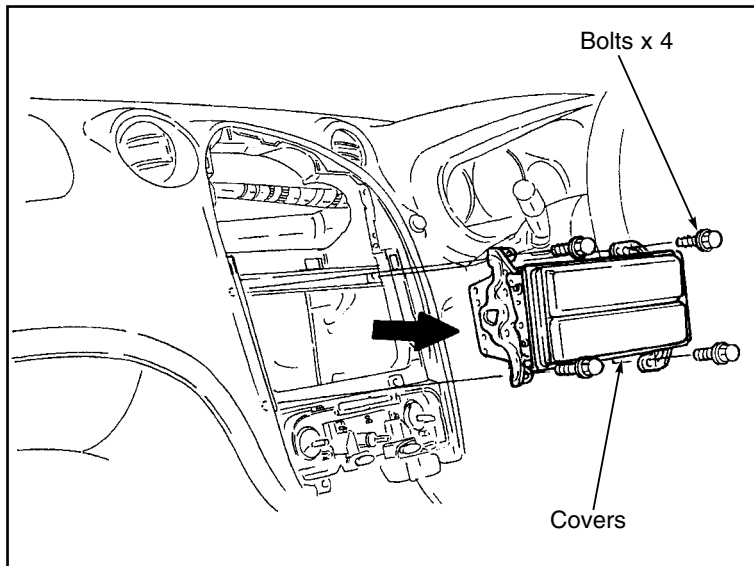


Fig. 55

5. Remove the radio combination.

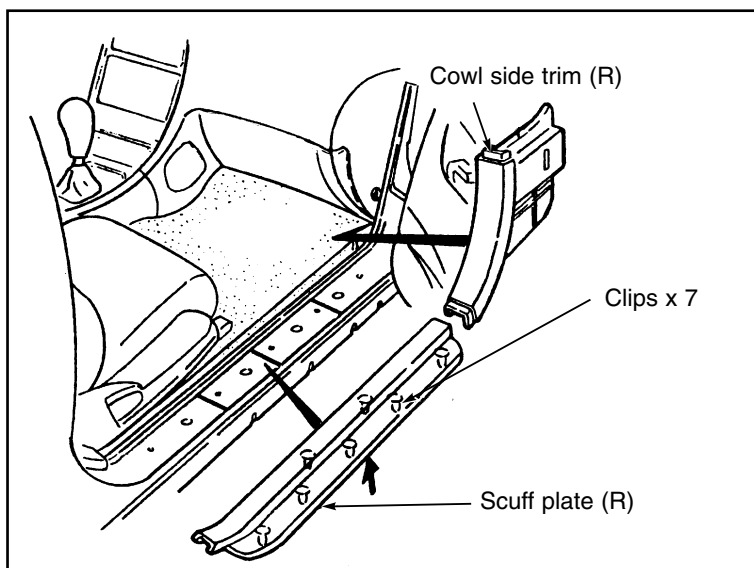


Fig. 56

7. Remove the scuff plate and cowl side trim.

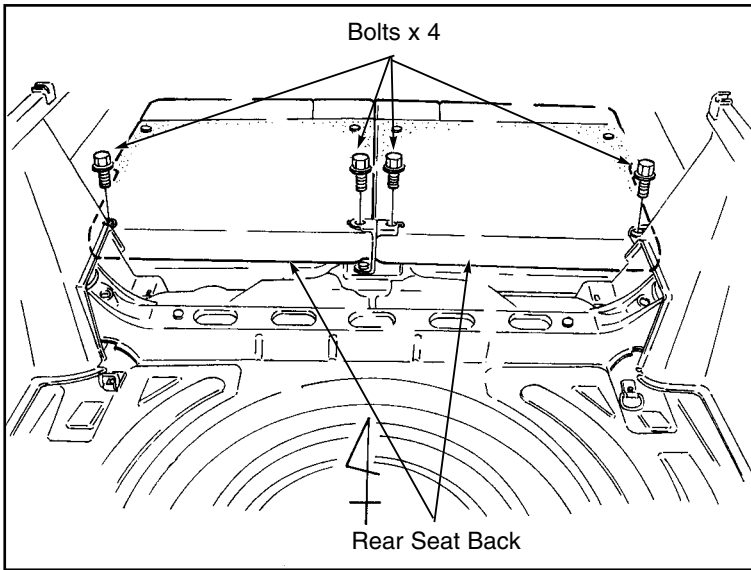


Fig. 57

- 8. Remove the rear seat back.

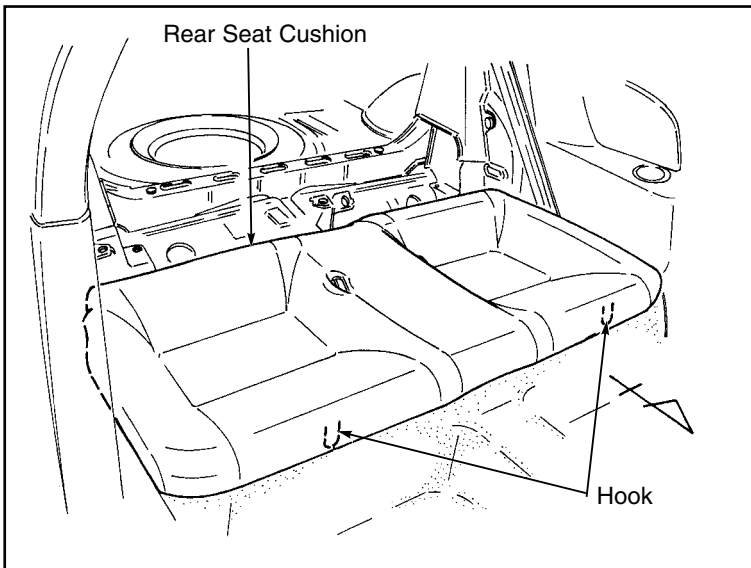


Fig. 58

- 9. Remove the rear seat cushion.

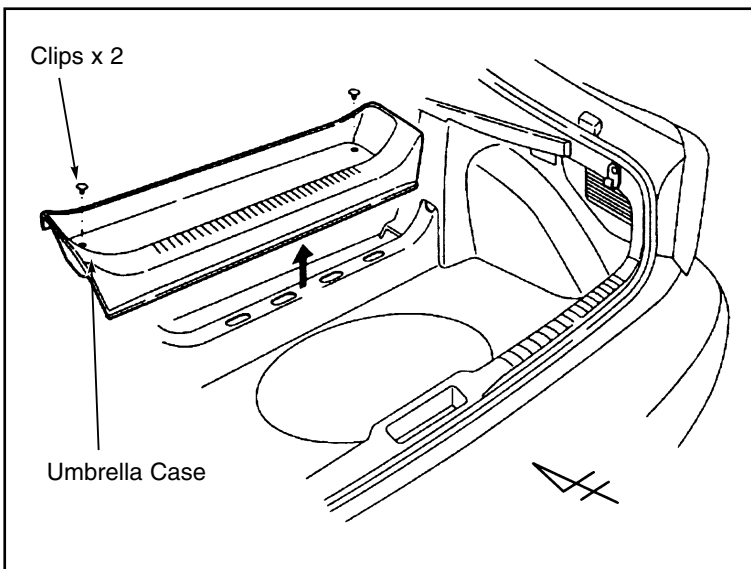


Fig. 59

- 10. Remove the umbrella case.

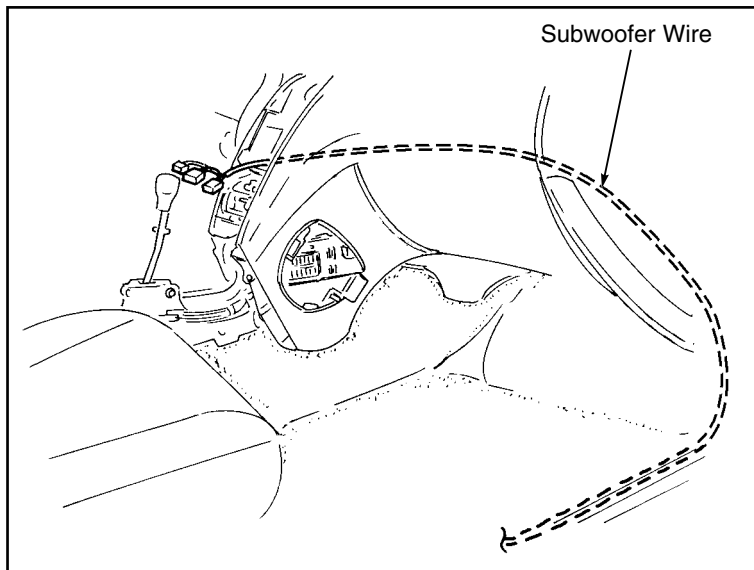


Fig. 60

11. Route the subwoofer wire.

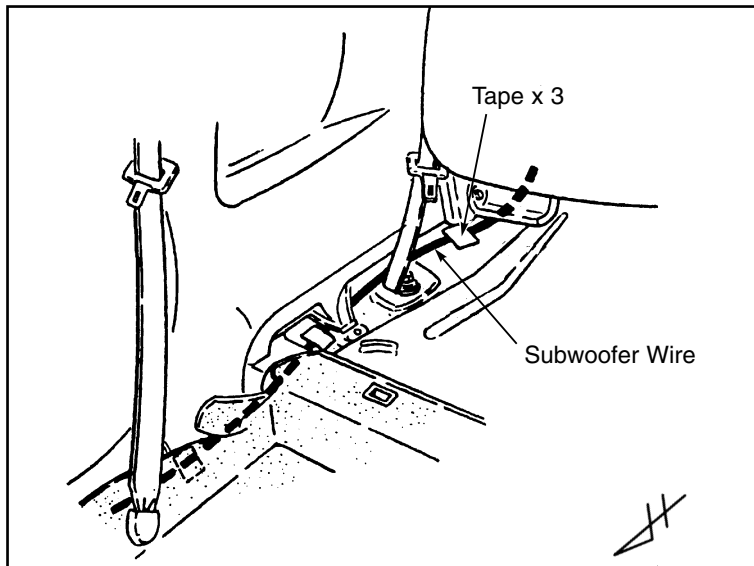


Fig. 61

12. Route the subwoofer wire.

13. Route the subwoofer wire.

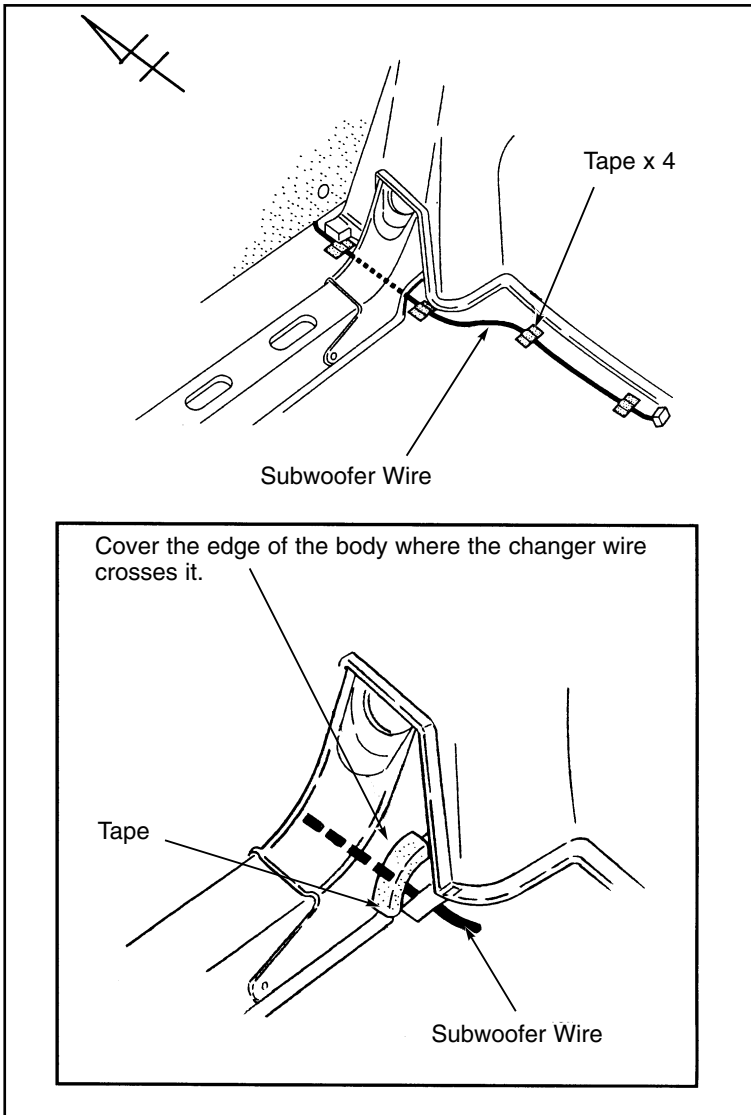


Fig. 62

14. Before installing the subwoofer, adjust the sensitivity to the correct position.

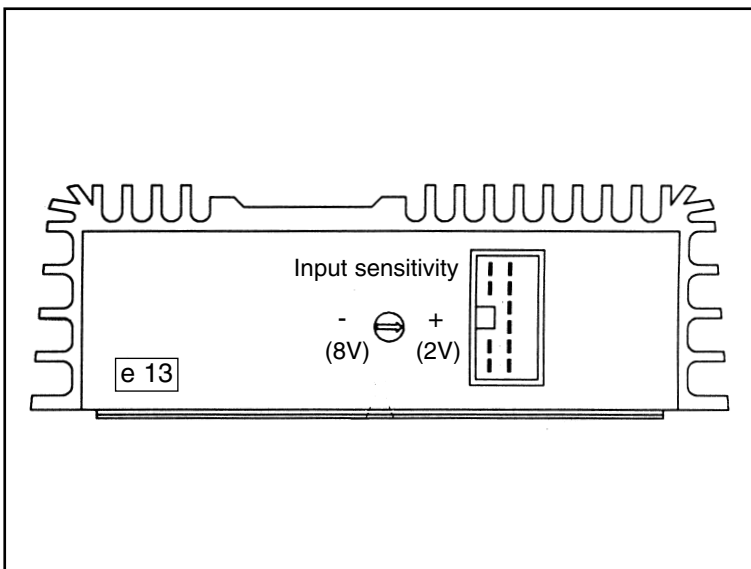
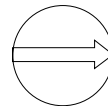


Fig. 63



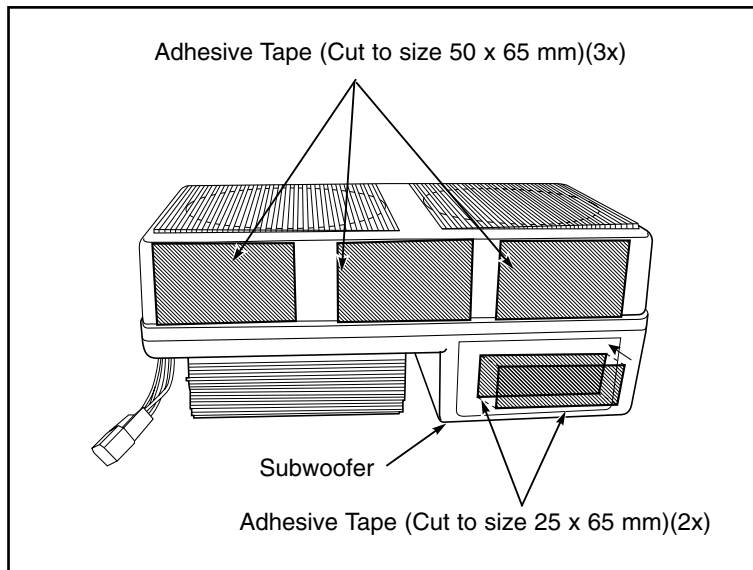


Fig. 64

15. Attach the adhesive tape to the subwoofer.

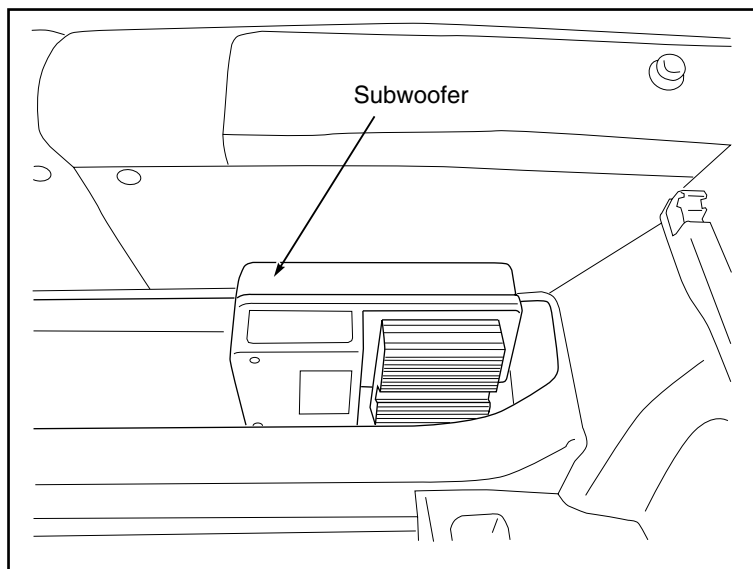


Fig. 65

16. Install the subwoofer in the luggage deck.

NOTES



A series of horizontal dotted lines providing a space for handwritten notes.

NOTES



Dotted lines for notes

TOYOTA
GENUINE PARTS