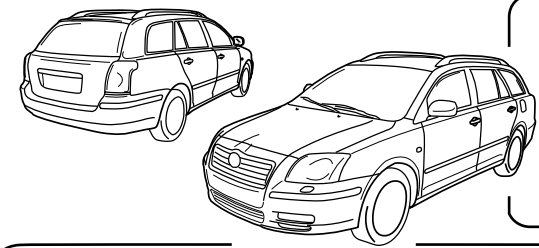


Vehicle
Avensis

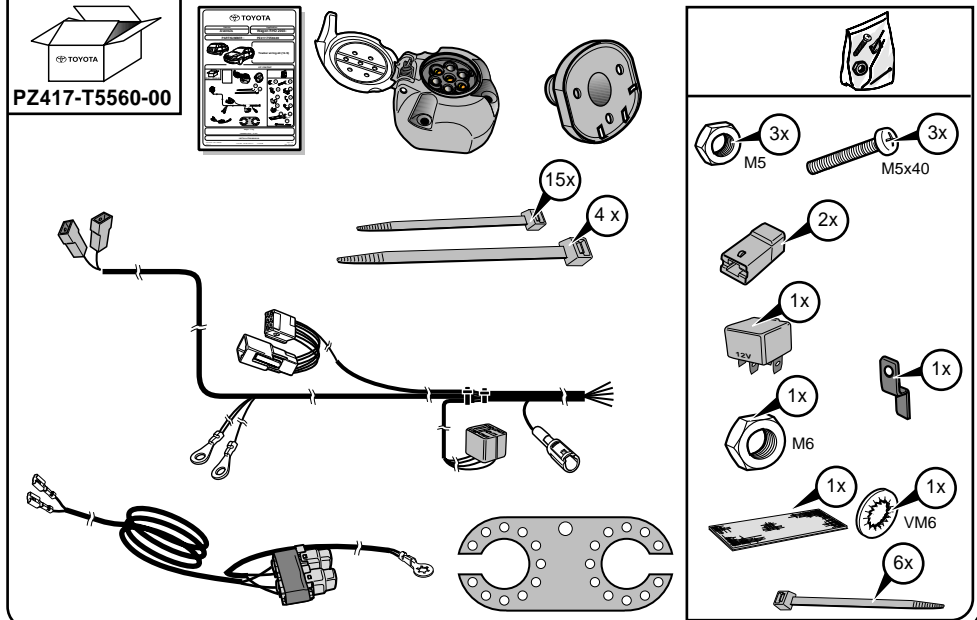
Application
Wagon RHD 2003-

PARTNUMBER : PZ417-T5560-00



Towbar wiring-kit (12-S)

KIT CONTENT



Weight : 1,30 kg
Installation time : 40 min.

INSTALLATION MANUAL

PARTNAME : Towbar wiring-kit

PARTNUMBER : PZ417-T5560-00

APPLICATION

MODELCODE Avensis Wagon 2003- : **T25*R-AW*E*W



VEHICLE OPTION

Not applicable

Not applicable

ACCESSORY

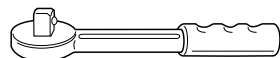
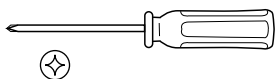
Not applicable

Not applicable

SAFETY PRECAUTION

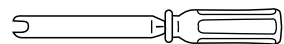
Not applicable

TOOLS

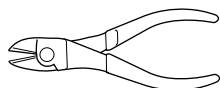


10mm

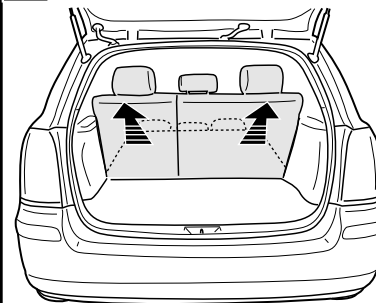
12mm



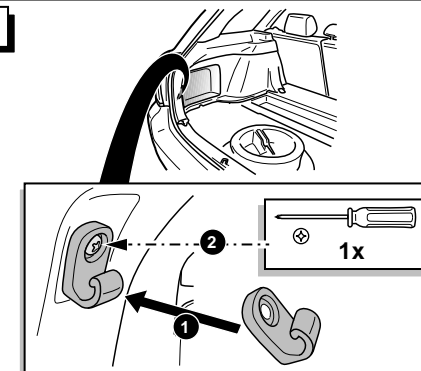
draw-spring



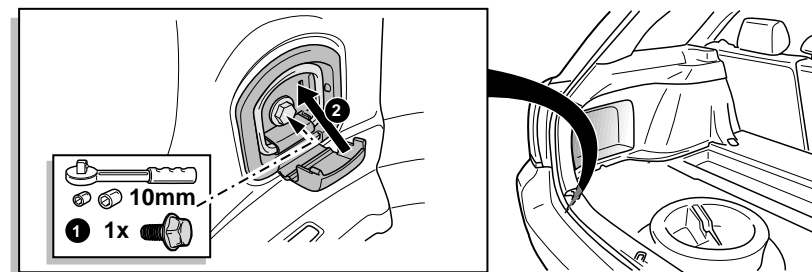
32



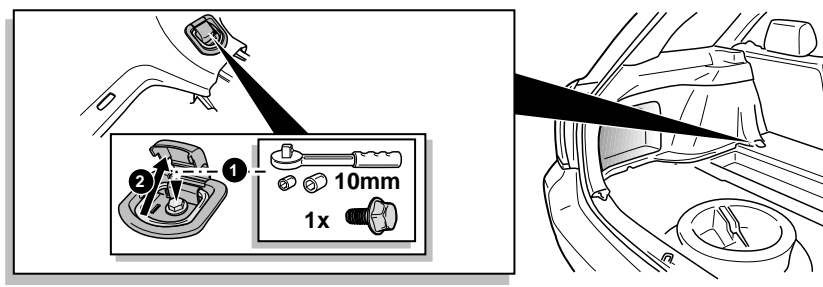
33



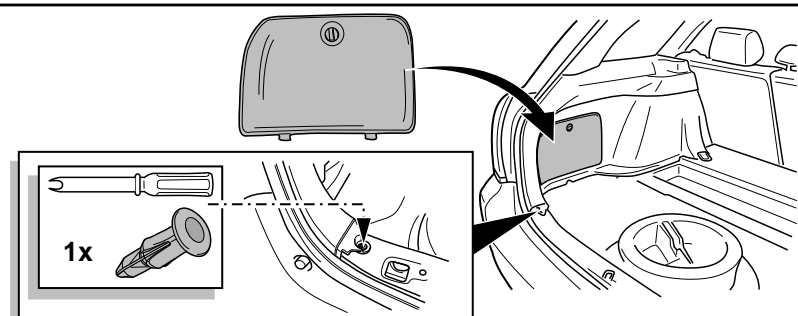
34



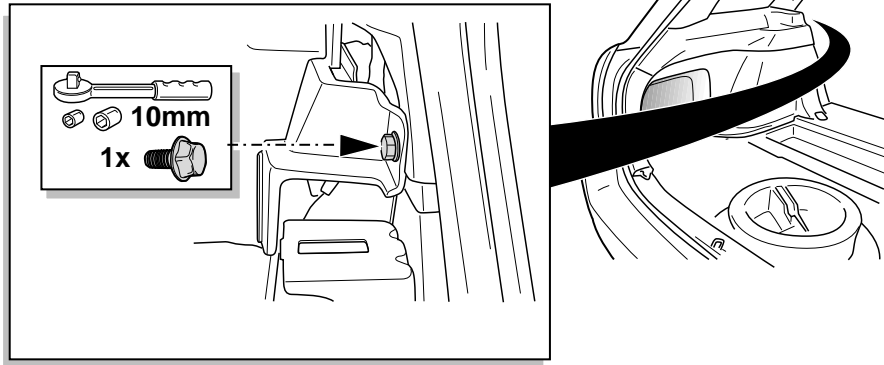
35



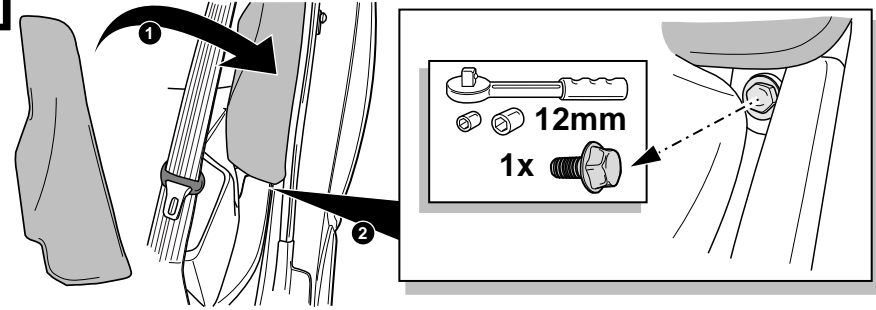
36



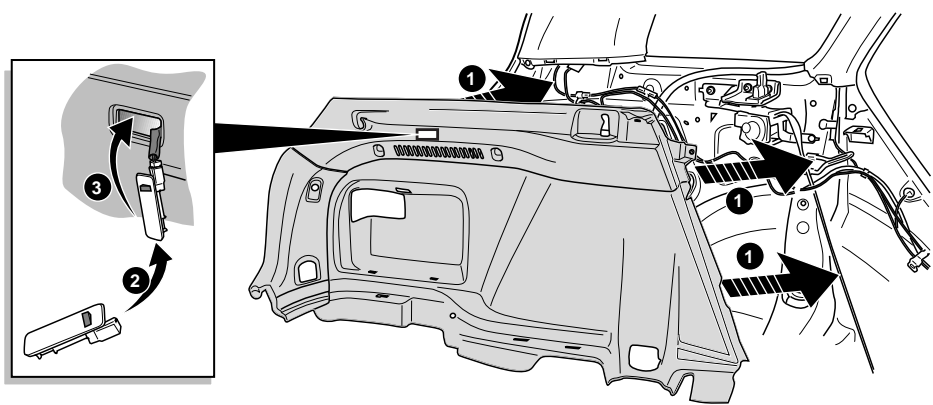
29



30



31

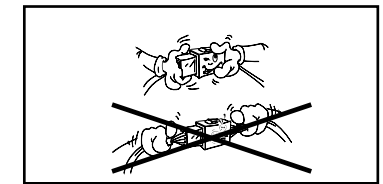
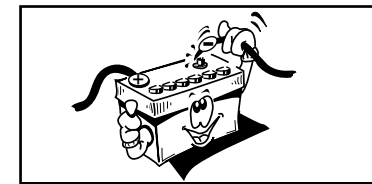
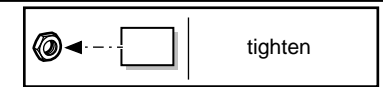
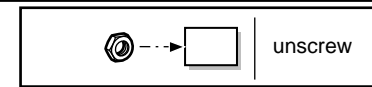


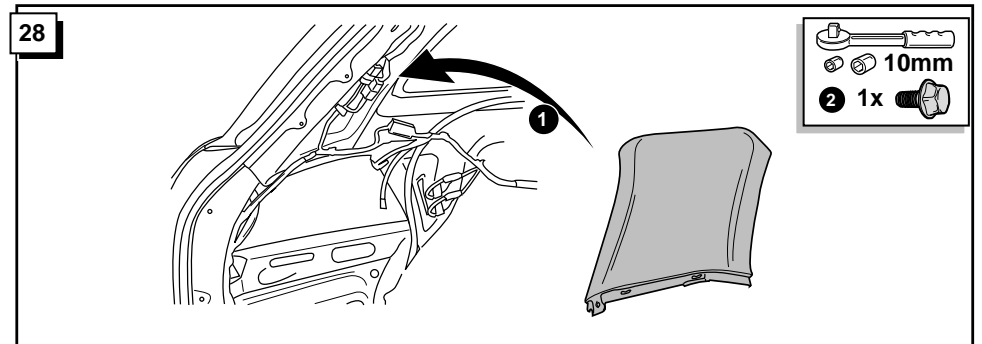
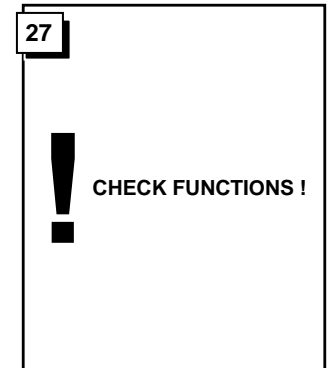
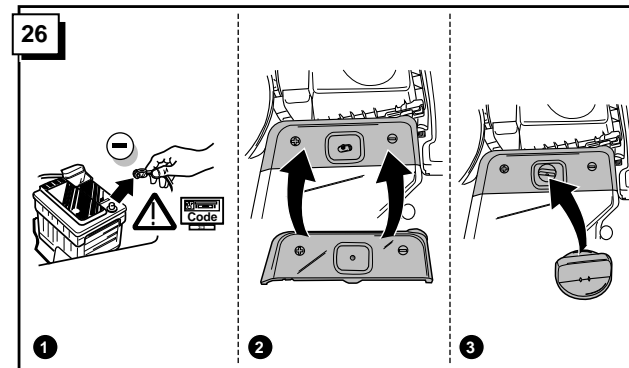
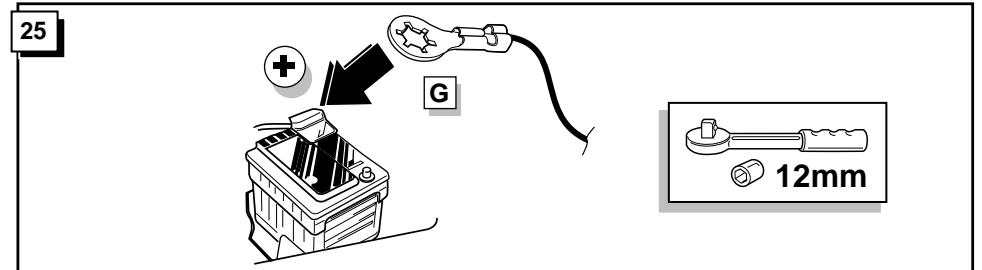
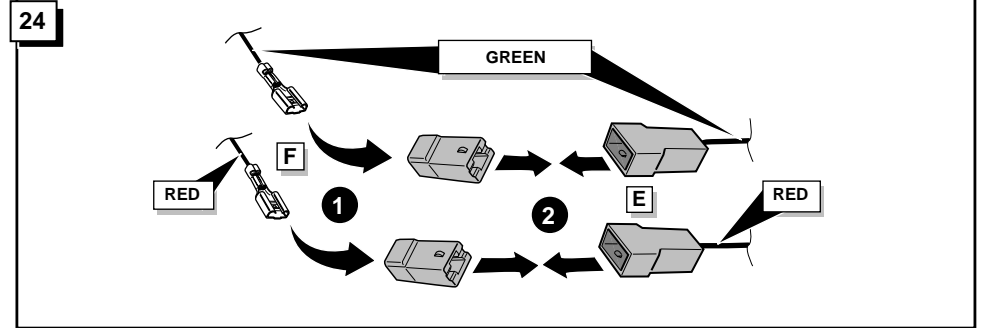
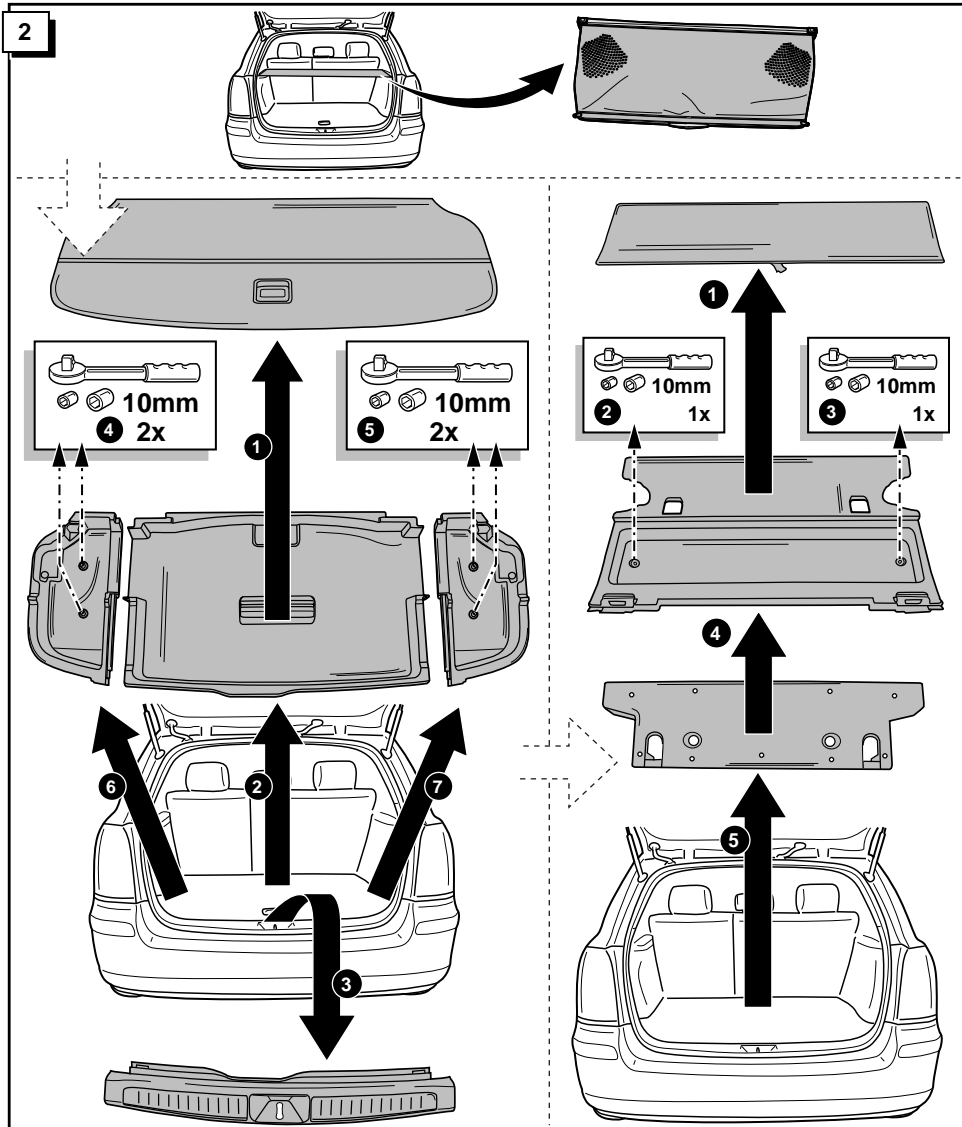
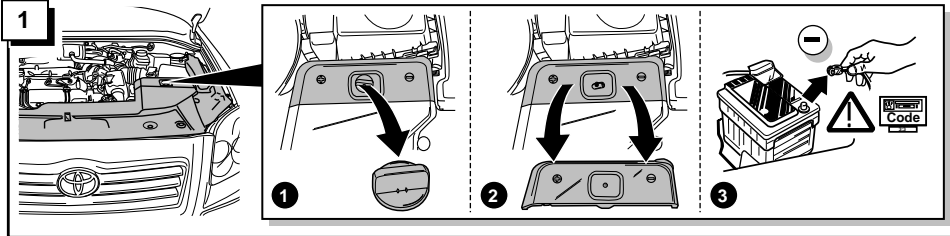
*Number of installation steps : 37

CRITICAL OPERATIONS

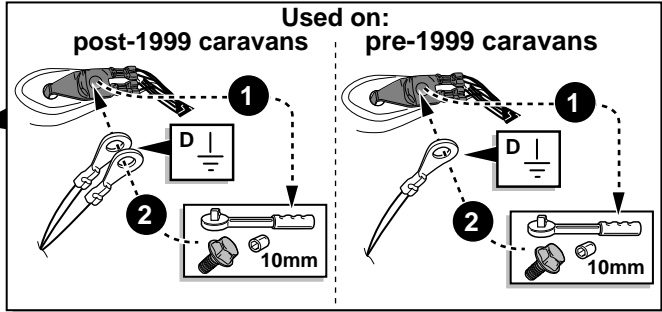
Picture: 14, 15a, 15b, 16

* Modifications of spanner jaw size for hexagonal bolts and nuts according to ISO 272 (1990). Please check the respective widths and only use the correct tools.

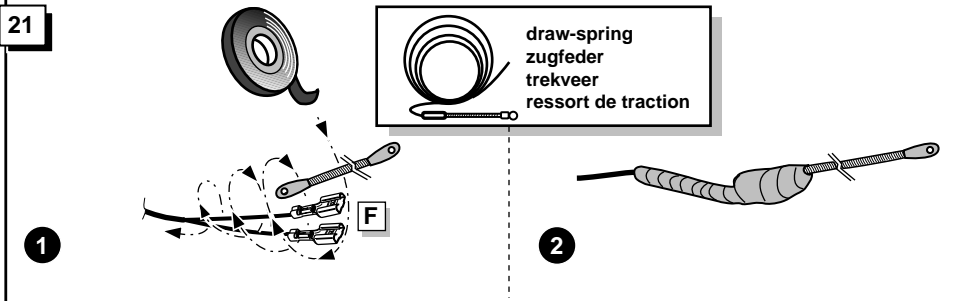




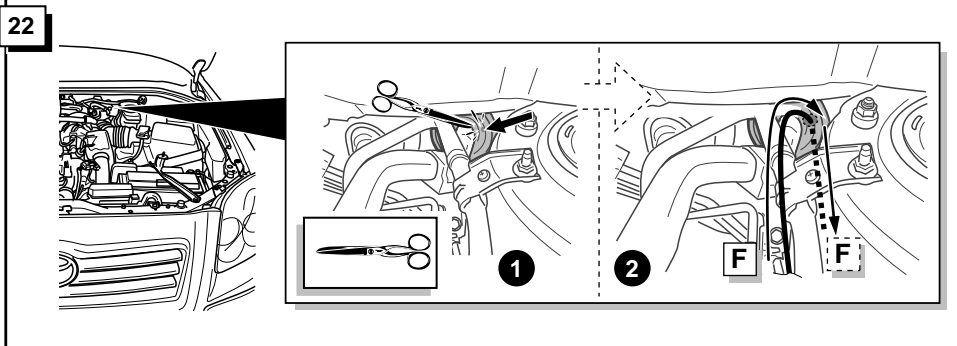
20



21



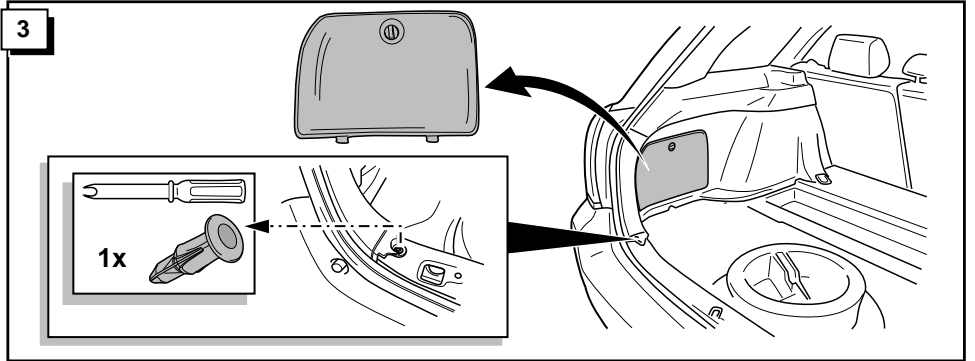
22



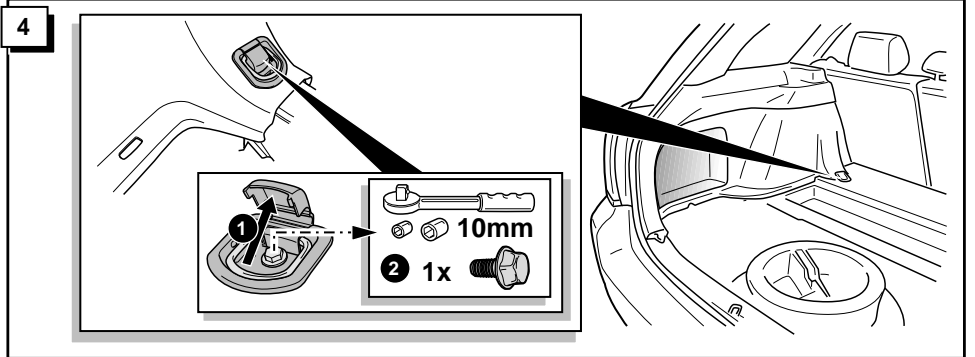
23



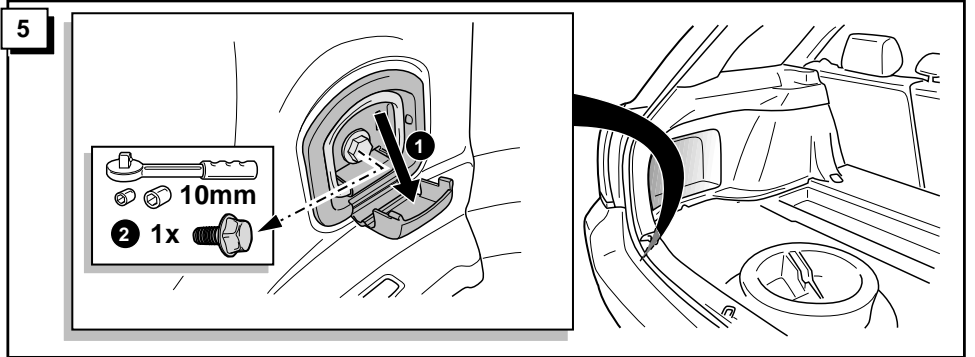
3



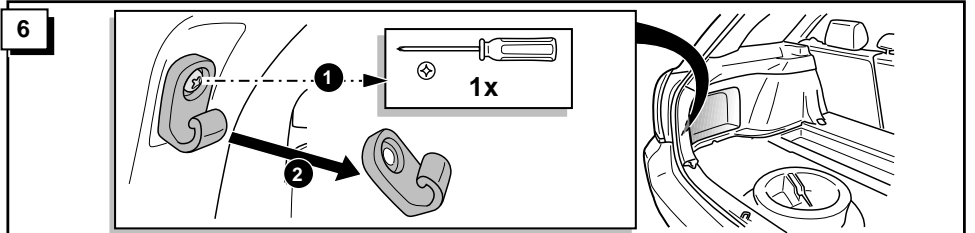
4



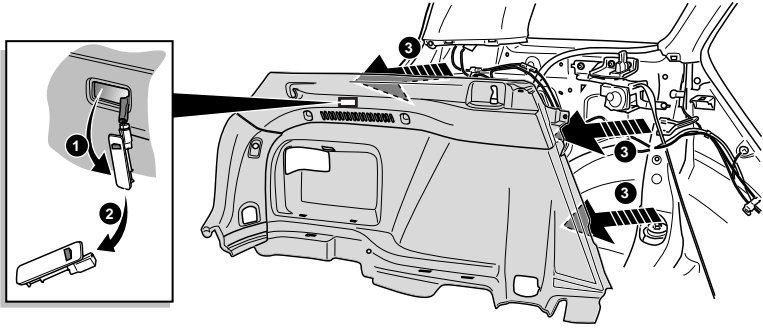
5



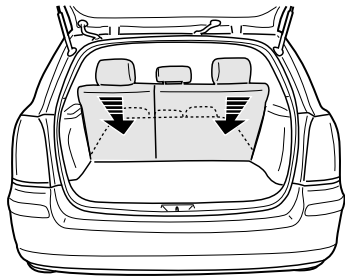
6



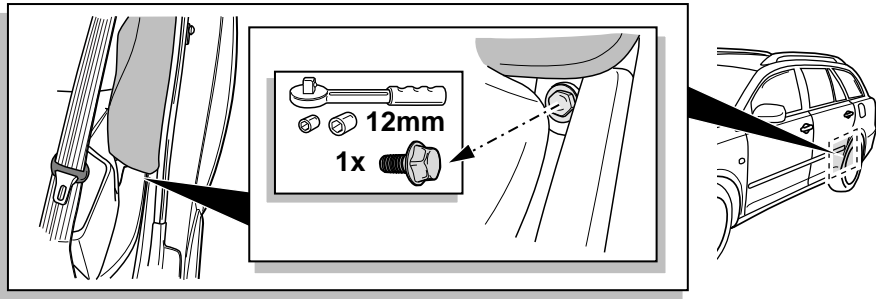
7



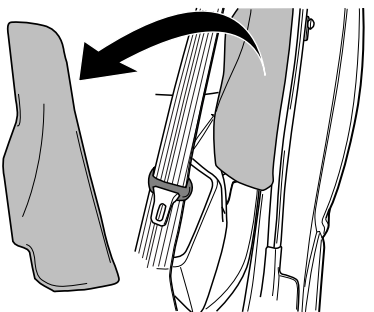
8



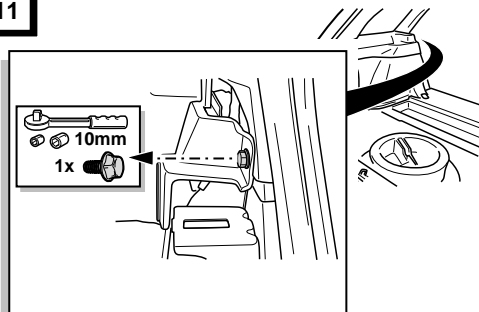
9



10

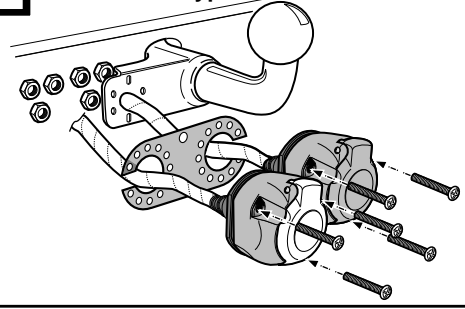


11

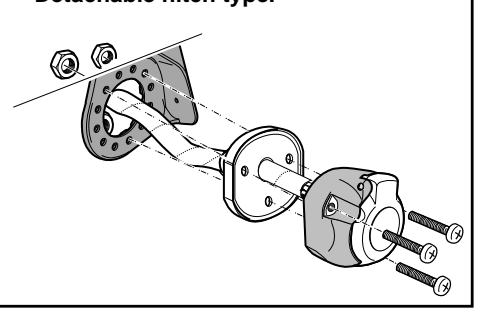


16

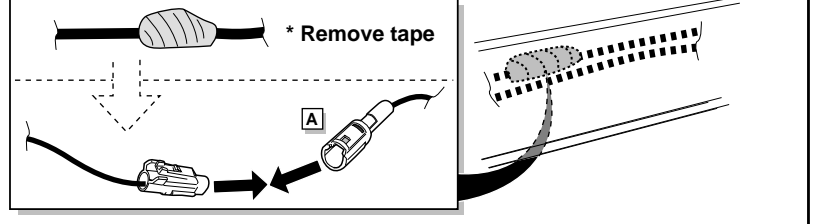
* Fixed hitch type.



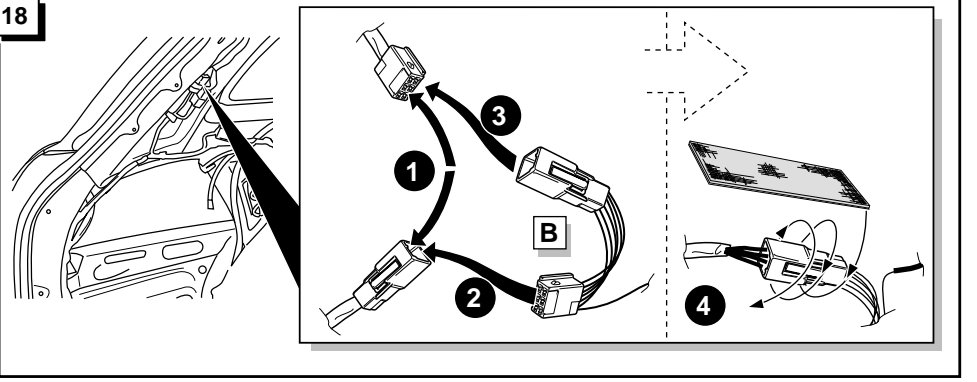
* Detachable hitch type.



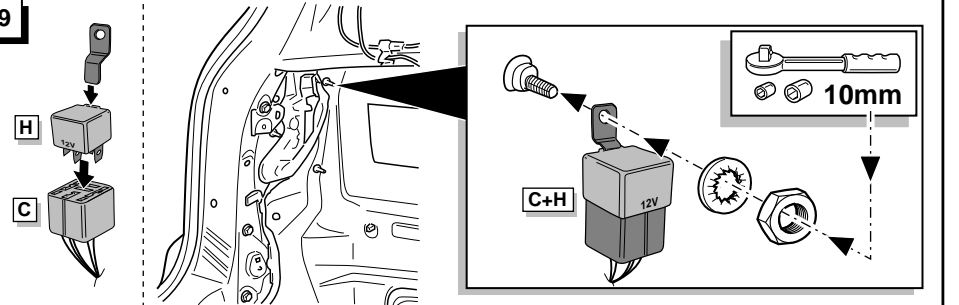
17



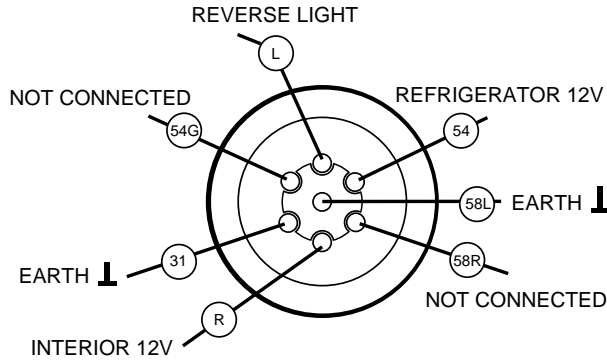
18



19

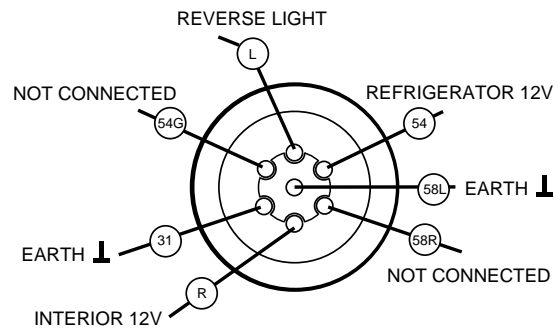


15 b 12-S connector used on post-1999 caravans

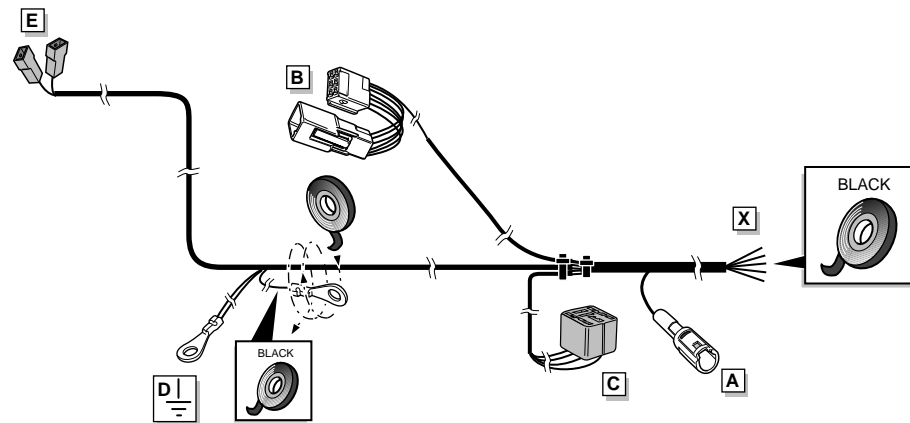


12-S	
1 = L	YELLOW
2 = 54-G	NOT CONNECTED
3 = 31	WHITE
4 = R	GREEN
5 = 58-R	NOT CONNECTED
6 = 54	RED
7 = 58-L	BLACK

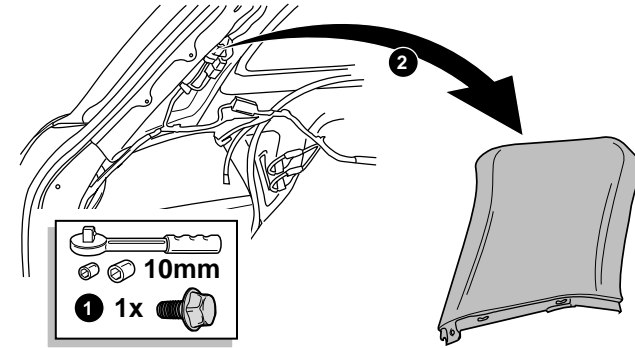
12-S connector used on pre-1999 caravans



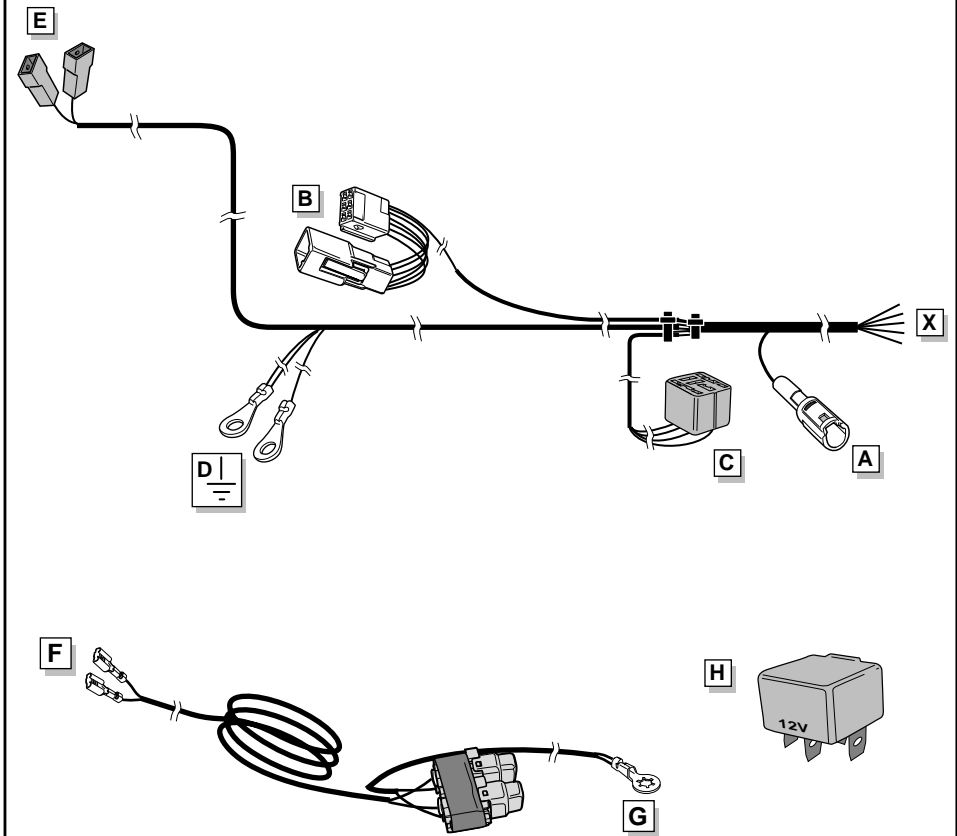
12-S	
1 = L	YELLOW
2 = 54-G	NOT CONNECTED
3 = 31	WHITE
4 = R	GREEN
5 = 58-R	NOT CONNECTED
6 = 54	RED
7 = 58-L	NOT CONNECTED



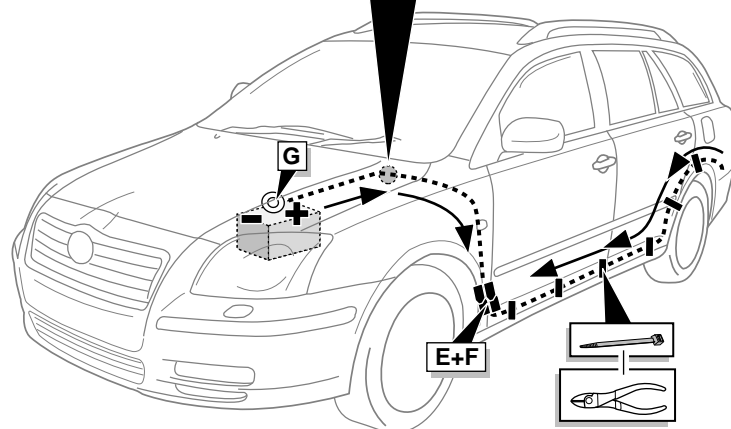
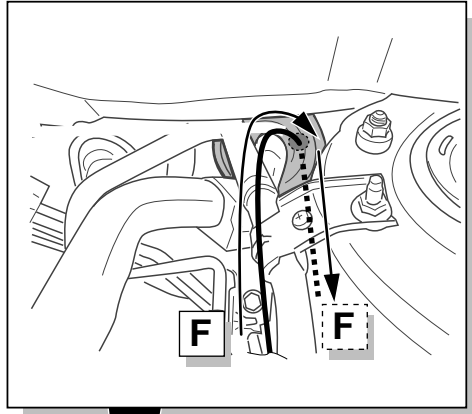
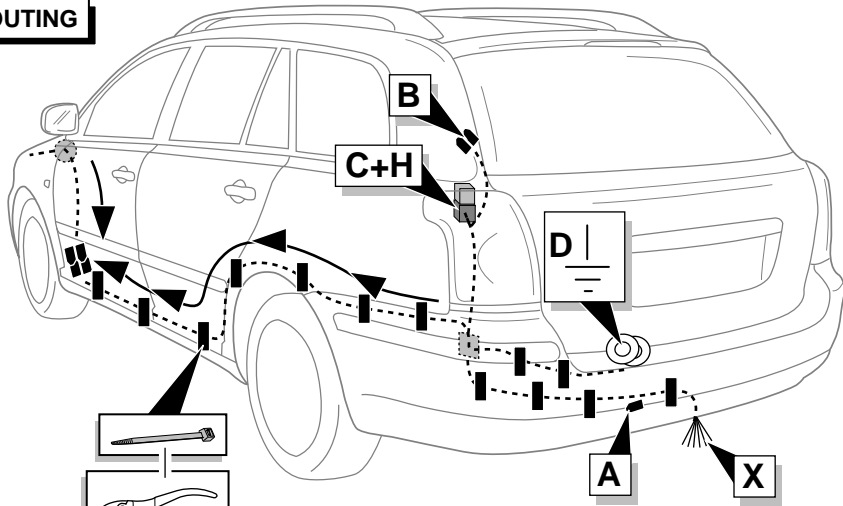
12



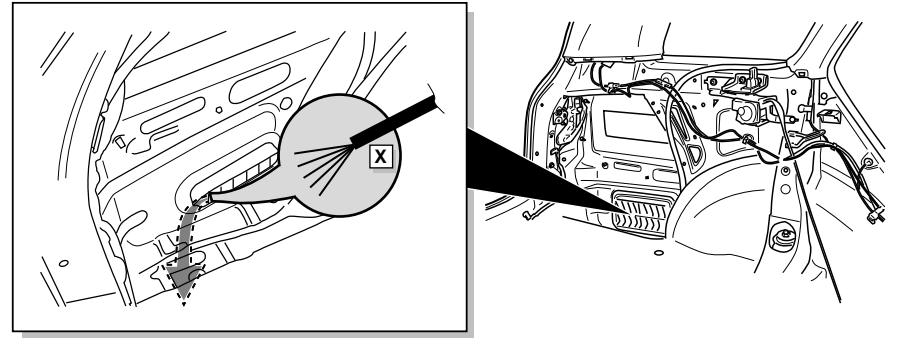
INFO



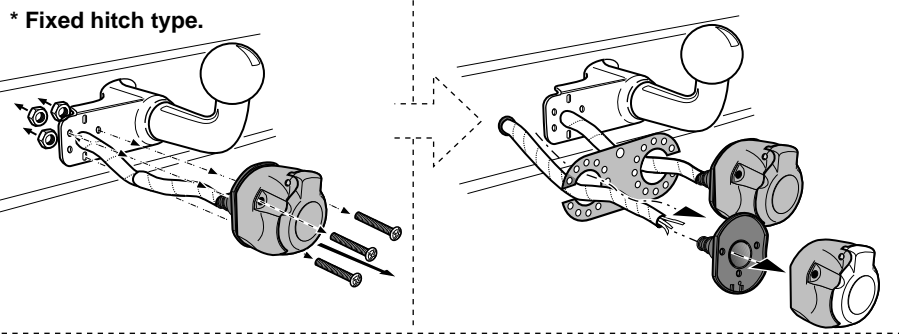
ROUTING



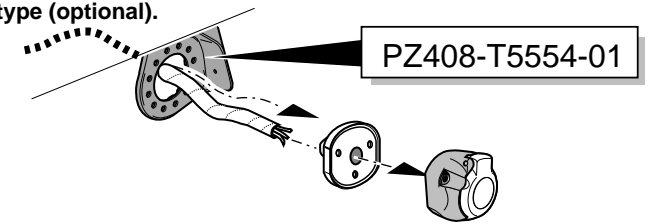
13



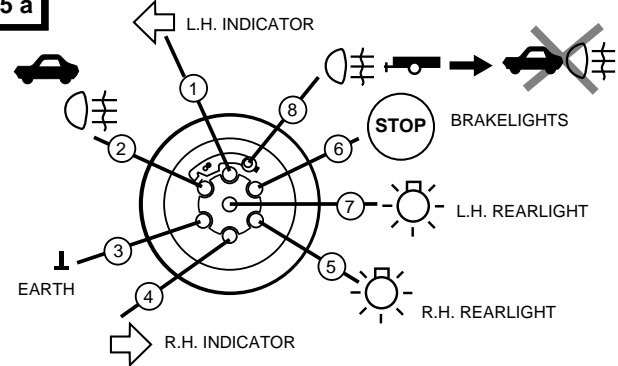
14



* Detachable hitch type (optional).



15 a



12-N	
1 = L	YELLOW
2 = 54-G	BLUE
3 = 31	WHITE
4 = R	GREEN
5 = 58-R	BROWN
6 = 54	RED
7 = 58-L	BLACK
8 = 58-B	GREY