



LAND CRUISER 80 (RHD)



VEHICLE SECURITY SYSTEM TVSS IIIB

INSTALLATION INSTRUCTIONS

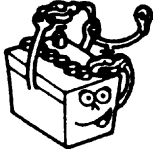
PART NUMBER

MAIN KIT	08585-00880
SUB KIT (SIREN AND RADAR)	08586-50820
FITTING KIT	08586-60950
FOR	FZJ80R, HDJ80R, HZJ80R

PRECAUTIONS

PLEASE READ THOROUGHLY THESE PRECAUTIONS FOR THIS SYSTEM INSTALLATION

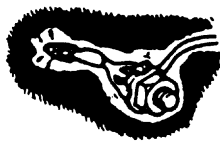
- Be sure to disconnect the negative (-) lead from the battery terminals.



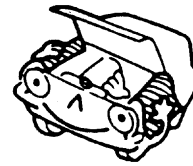
- Confirm that lamps, horn, wiper and other car accessories operate normally.



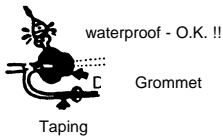
- Do not pinch the rear wiring or harness in the tightened part.



- Protect your car with wing covers, seat and so on.



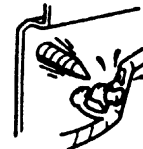
- When passing the wires through the bulkhead or other panels, use a grommet to ensure waterproofing.
- Protect the wiring with tape when it is passed through a hole.



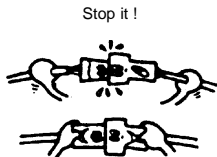
- Use the correct tool when tightening bolts or nuts.



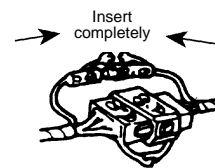
- Before drilling a hole, check that the rear of the mounting wall is clear.



- When disconnecting the connectors, be sure to grip the connector body. Do not tug on the wiring.



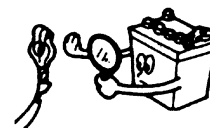
- Be sure to firmly tighten connectors and terminals.




- Do not forcibly pull any car wiring harness. Rough tugging may result in opened connections, or a broken wire or harness.



- Before connecting the power wiring to the battery, check the wiring connections, harness, etc. to see that they are properly secured.



- Check body and trim near area of installation to be certain no dirt or scratches resulted from the installation.

TABLE OF CONTENTS 

Precautions 2

System Components

- Main Kit 4
- Sub Kit (Siren and Radar) 4
- Fitting Kit 5

System Layout and Wire Harness Outline

- Main 7
- Engine 8

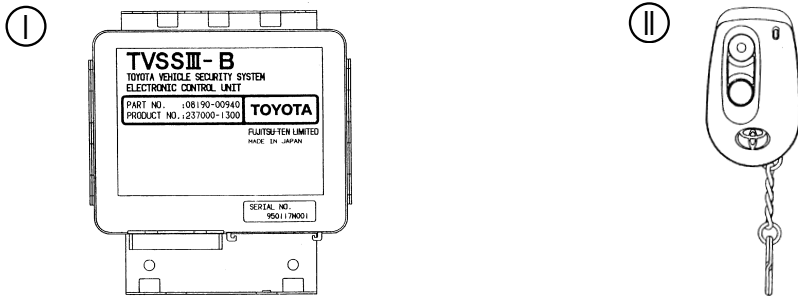
Connector Arrangement of the TVSS Fitting Kit (Pin View) 9

TVSS Installation Procedures

- Vehicle Disassembly (Passenger Compartment) 10
- Wire Harness (Main) Installation 13
- Mounting the Status Monitor 15
- Mounting the Radar Sensor 16
- Mounting the Glass Breakage Control Unit 18
- Vehicle Disassembly (Engine Compartment) 20
- Mounting the Siren 23
- Wire Harness (Engine) Installation 25
- Mounting the Hood Switch 28
- Setting the TVSS ECU Dip Switches and Testing the System 29
- Mounting the TVSS ECU 30
- Mounting the Glass Breakage Sensor 32
- Attaching the Stickers 34

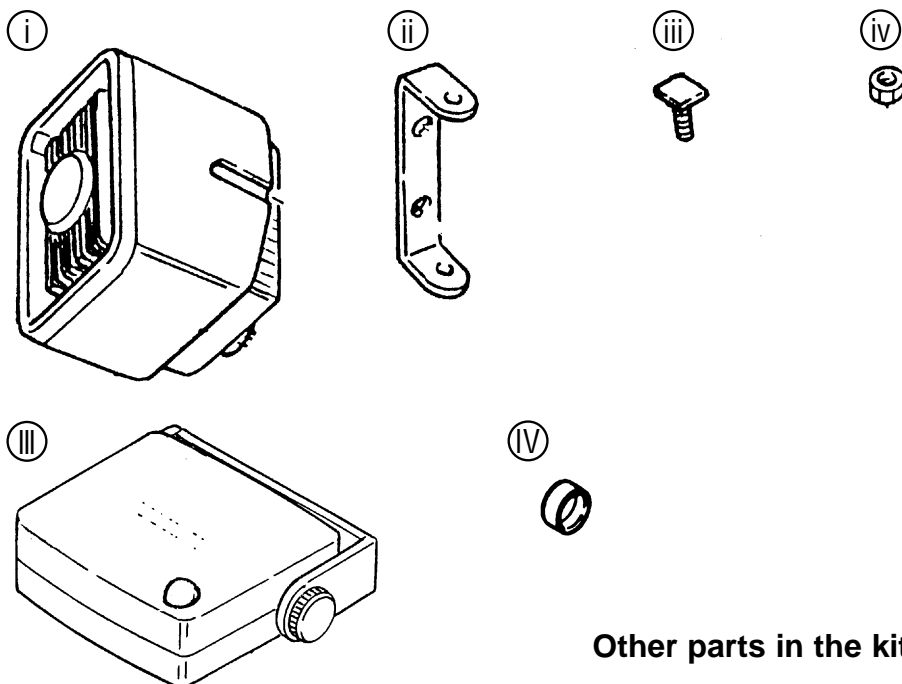
MAIN KIT **08585-00880** 

No.	Description	Qty
①	TVSS ECU	1
②	REMOTE CONTROL TRANSMITTER	2



SUB KIT (SIREN AND RADAR) **08586-50820** 

No.	Description	Qty
①	SIREN	1
②	SIREN BRACKET	1
③	BOLT	2
④	NUT	2
⑤	RADAR SENSOR	1
⑥	CAP	2



Other parts in the kit are not used.

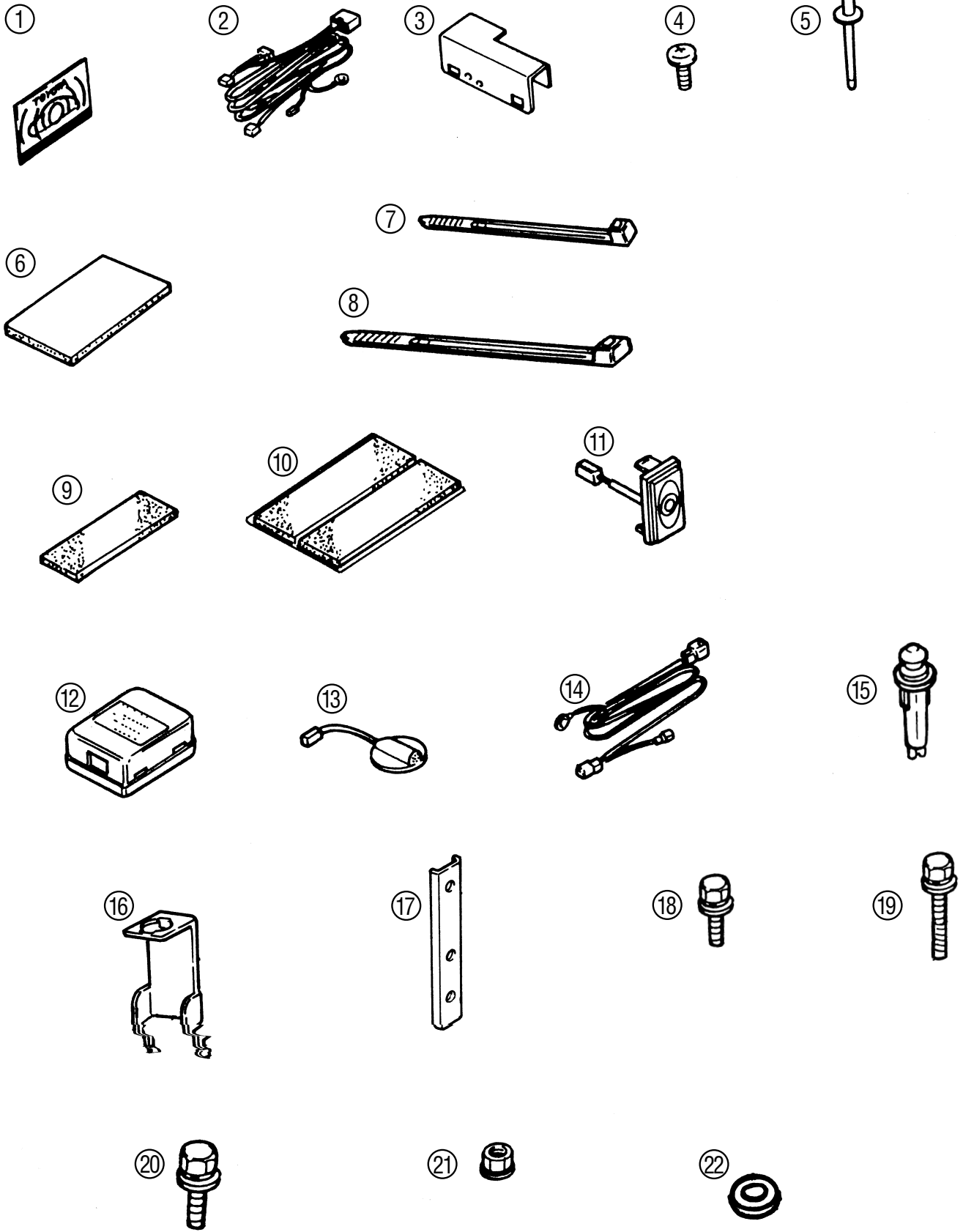
Main Kit - Sub Kit (Siren and Radar)

FITTING KIT

08586-60950

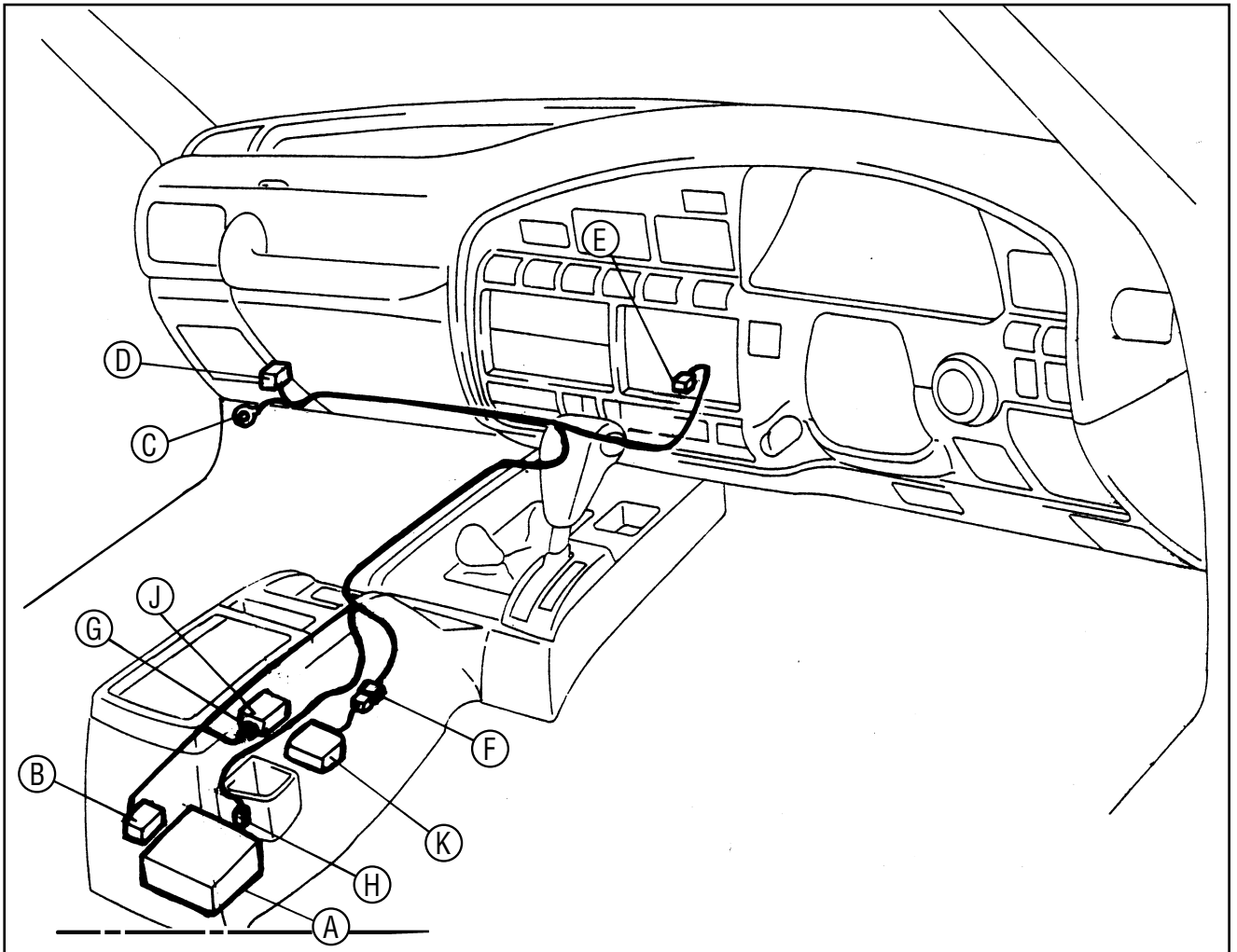


No.	Description	Qty
①	WINDOW STICKER	2
②	WIRE HARNESS (MAIN)	1
③	PROTECTIVE BRACKET	1
④	SCREW	1
⑤	BLIND RIVET	1
⑥	BUTYL TAPE	1
⑦	WIRE TIE (SMALL)	10
⑧	WIRE TIE (LARGE)	4
⑨	FOAM (1 DIVISION ON 1 SHEET)	1
⑩	FOAM (2 DIVISIONS ON 1 SHEET)	2
⑪	STATUS MONITOR	1
⑫	GLASS BREAKAGE CONTROL UNIT	1
⑬	GLASS BREAKAGE SENSOR	1
⑭	WIRE HARNESS (ENGINE)	1
⑮	HOOD SWITCH	1
⑯	HOOD SWITCH BRACKET	1
⑰	MOUNTING BRACKET (FOR SIREN)	1
⑱	BOLT (M6 X 18MM) (FOR SIREN)	1
⑲	BOLT (M6 X 30MM) (FOR SIREN)	2
⑳	BOLT (M8 X 20MM) (FOR HOOD SWITCH)	1
㉑	NUT (M6)	3
㉒	WASHER	2



Fitting Kit

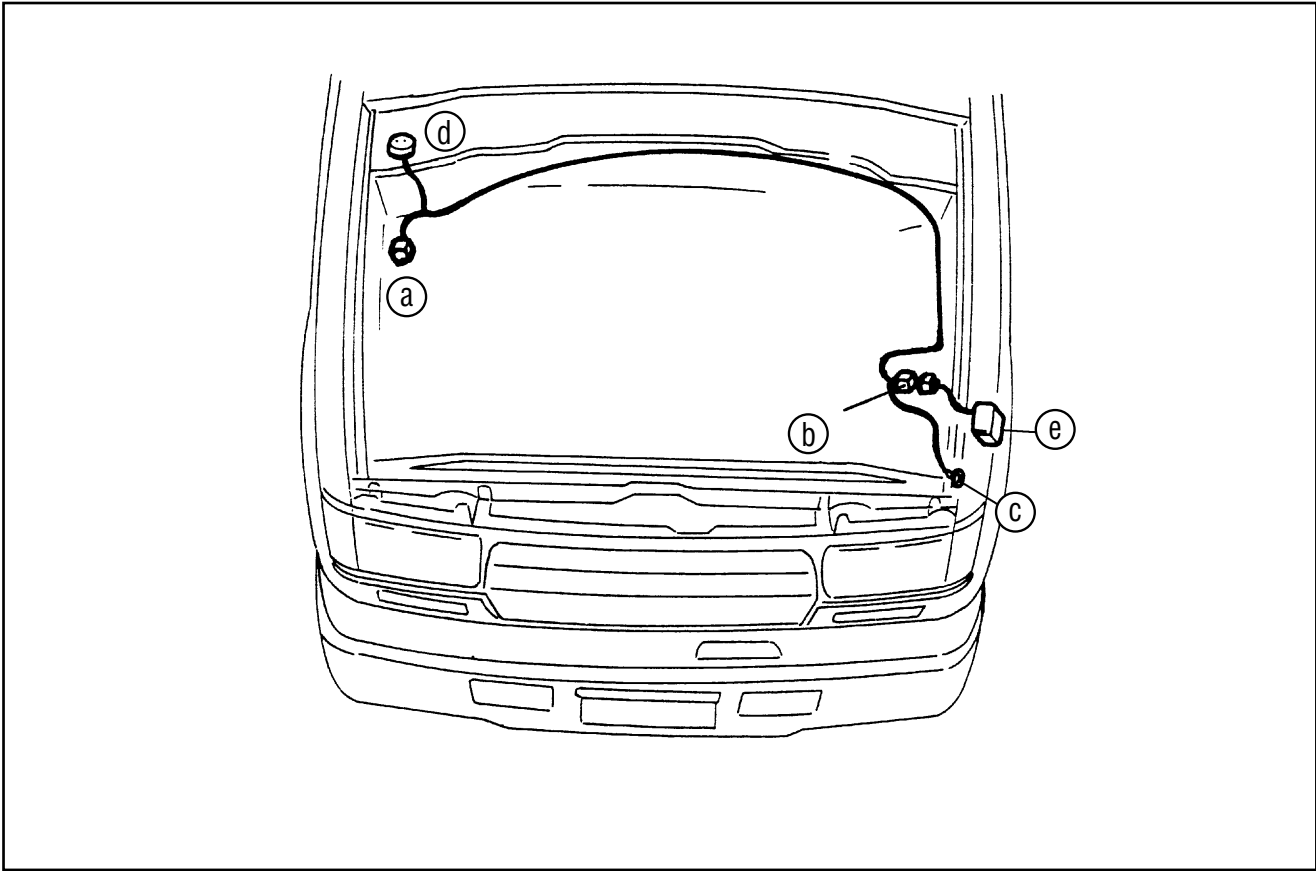
SYSTEM LAYOUT AND WIRE HARNESS OUTLINE (MAIN)



Pos. No.	Description
(A)	TVSS ECU
(B)	TVSS ECU CONNECTOR (26P GREY)
(C)	GROUND TERMINAL
(D)	PRE-WIRE CONNECTOR (12P WHITE)
(E)	STATUS MONITOR CONNECTOR (2P CLEAR)
(F)	RADAR SENSOR CONNECTOR (4P WHITE)
(G)	GLASS BREAKAGE CONTROL CONNECTOR (6P WHITE)
(H)	GLASS BREAKAGE SENSOR CONNECTOR (2P WHITE)
(J)	GLASS BREAKAGE CONTROL UNIT
(K)	RADAR SENSOR

System Layout and Wire Harness Outline (Main)

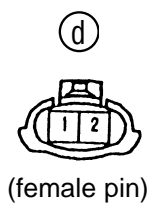
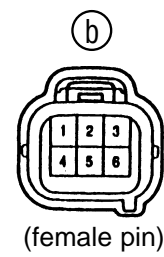
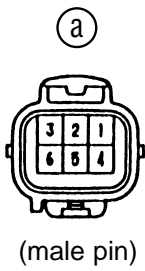
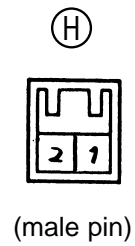
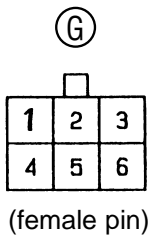
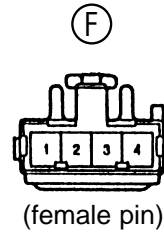
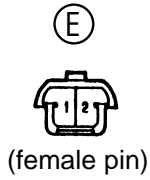
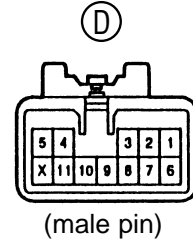
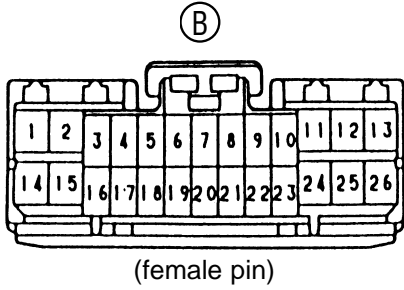
SYSTEM LAYOUT AND WIRE HARNESS OUTLINE (ENGINE)



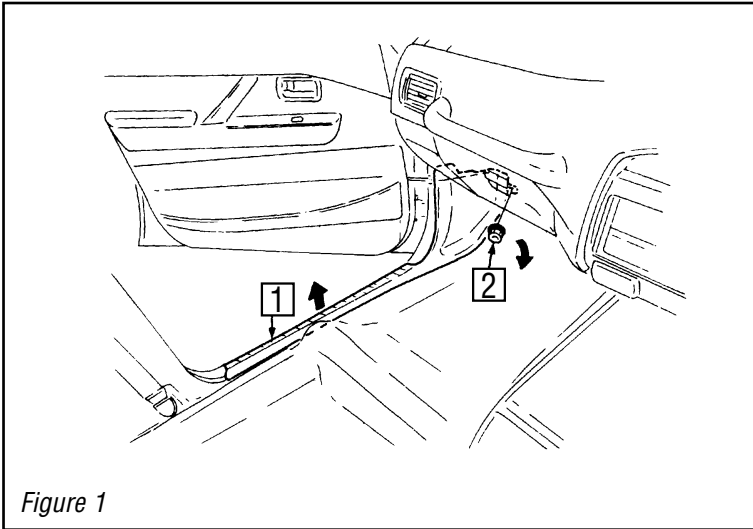
Pos. No.	Description
(a)	PRE-WIRE CONNECTOR (6P GREY MALE)
(b)	SIREN CONNECTORS (6P GREY FEMALE)
(c)	GROUND TERMINAL
(d)	HOOD SWITCH CONNECTOR (2P WHITE)
(e)	SIREN

System Layout and Wire Harness Outline (Engine)

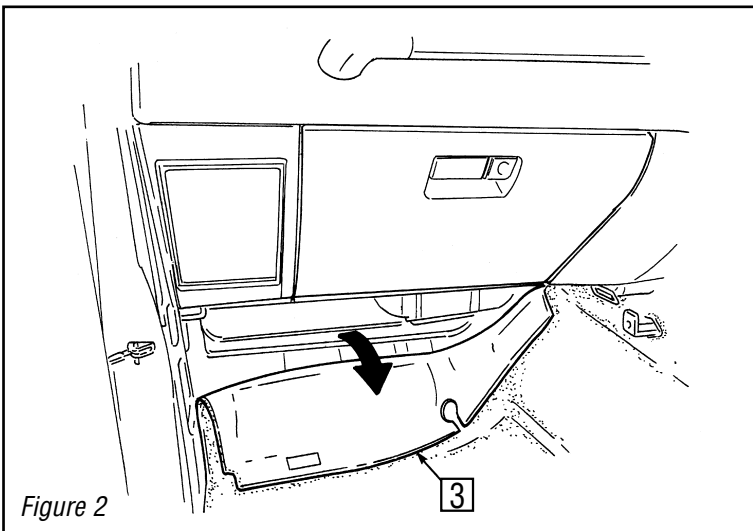
CONNECTOR ARRANGEMENT OF THE TVSS FITTING KIT (PIN VIEW) 



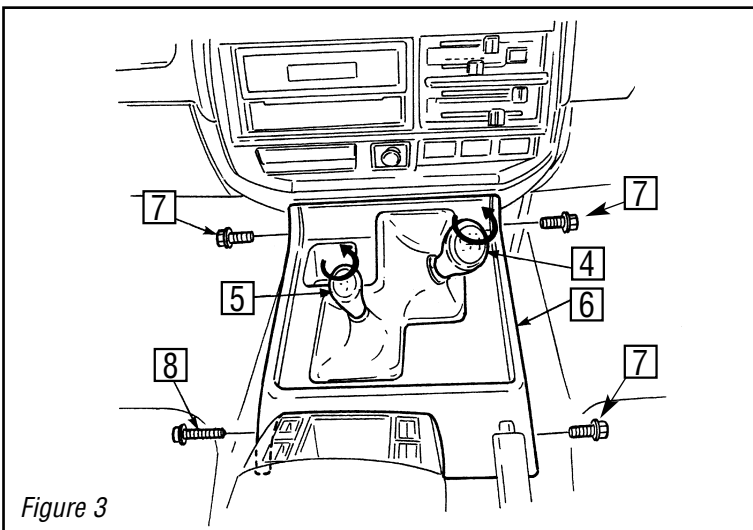
VEHICLE DISASSEMBLY (PASSENGER COMPARTMENT)



- 1)
Remove the passenger's side front side step cover 1.
- 2) Plastic nut



- 2)
Peel back the carpet 3.



FOR MANUAL TRANSMISSION MODELS

- 3)
a) Remove the gear 4 and the transfer 5 shift knobs.
b) Remove the console panel 6.

- 7 : Screws (3x)
- 8 : Screw (1x)

Vehicle Disassembly (Passenger Compartment)

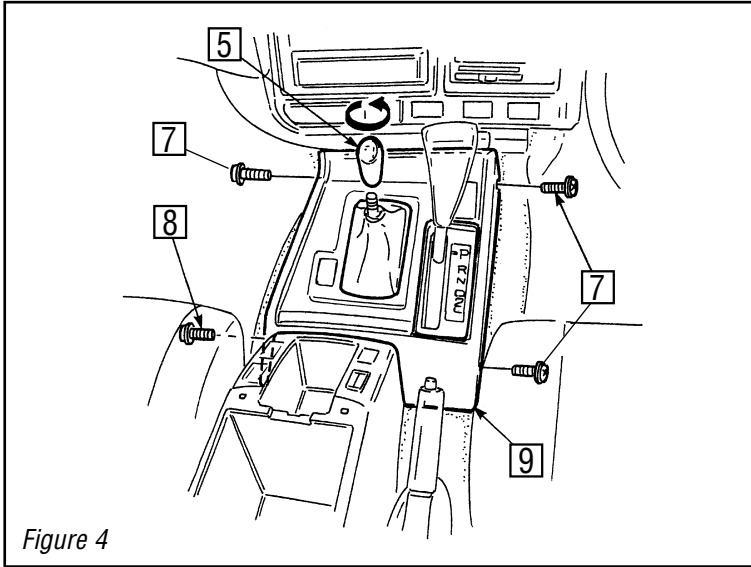


Figure 4

FOR AUTOMATIC TRANSMISSION MODELS

- 4)
 - a) Remove the transfer shift knob **5**.
 - b) Remove the console panel **9**.

7: Screws (3x)
8: Screw (1x)

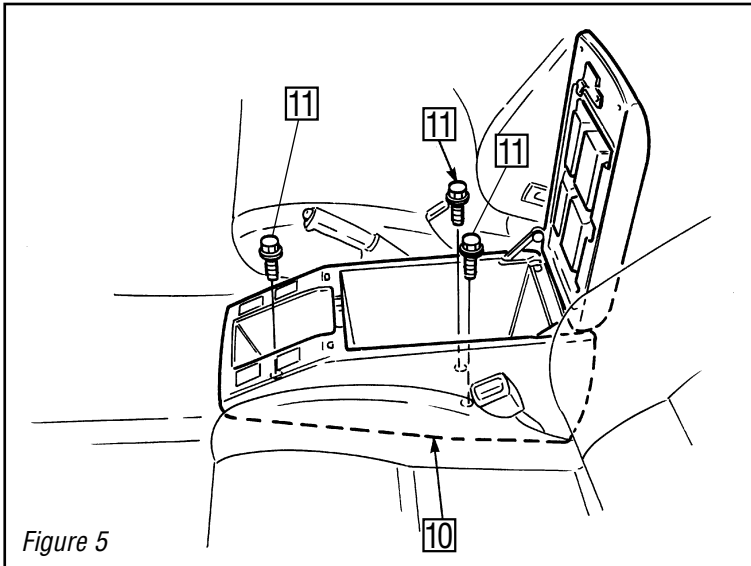


Figure 5

- 5) Remove the console compartment **10**.

11: Bolts (3x)

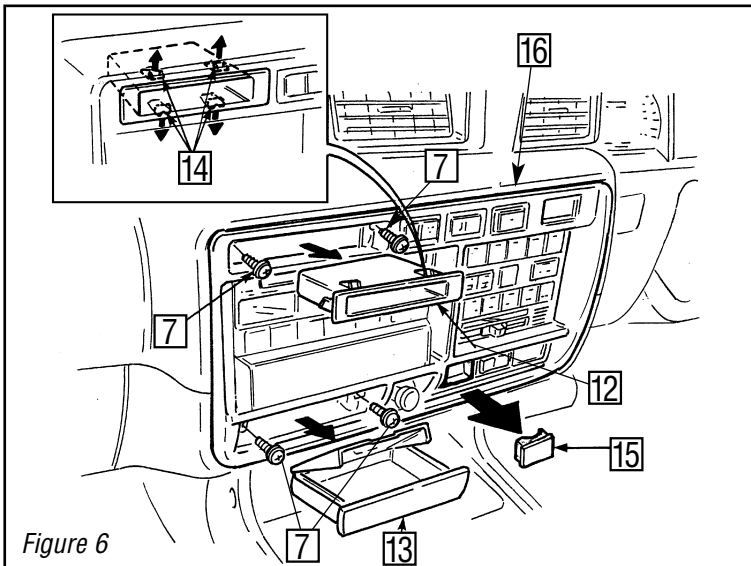


Figure 6

- 6)
 - a) Remove the accessory compartment **12** and the ashtray **13**.
 - b) Remove the screws **7** (4x) securing the centre cluster **16**.
 - c) Remove the switch hole cover **15**.

14 : Locks (4x)

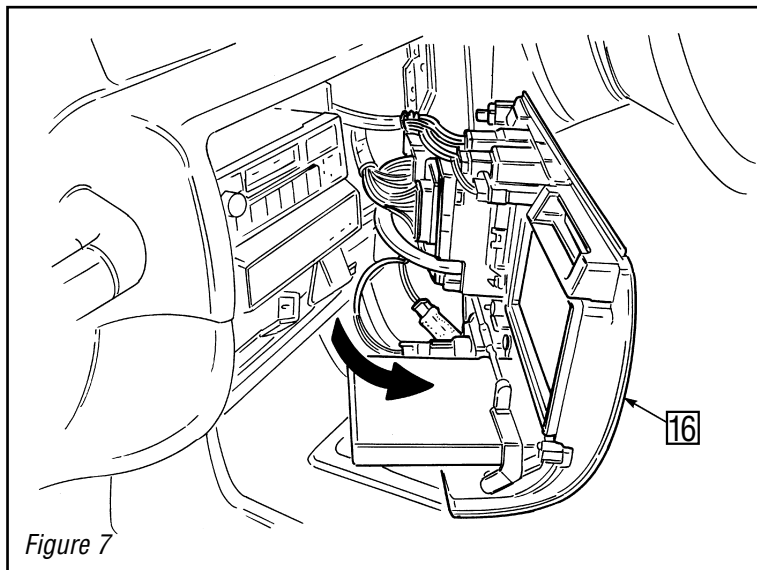


Figure 7

7)

Pull out the centre cluster 16.
(Do not disconnect any connector).

WIRE HARNESS (MAIN) INSTALLATION

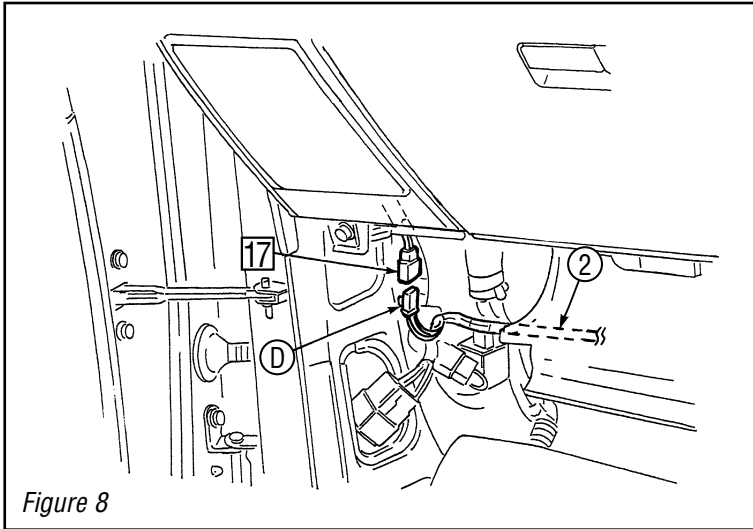


Figure 8

- 1)
 - a) Locate and pull out the 12P connector 17 (white) in the kick panel area on the passenger's side.
 - b) Connect the fitting kit wire harness (main) 2 12P connector 1 (white) to the 12P connector 17 white.

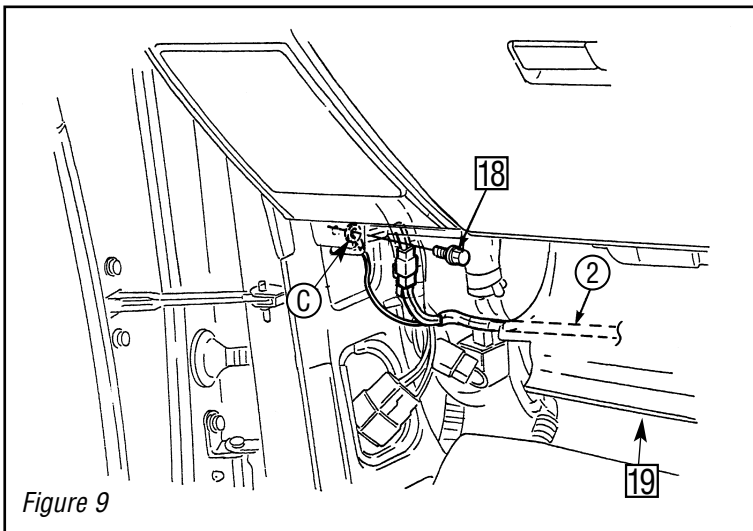


Figure 9

- 2)
 - a) Locate and remove the bolt 18 in the kick panel area.
 - b) Secure the ground terminal C of the fitting kit wire harness (main) 2 with the bolt 18.
 - c) Lay the fitting kit wire harness (main) 2 under the rubber trim 19.

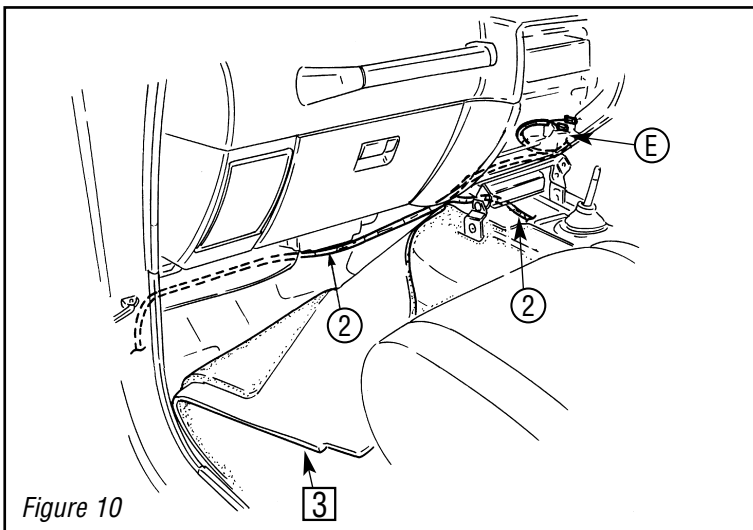


Figure 10

- 3)
 - a) Lay the fitting kit wire harness (main) 2 under the carpet 3.

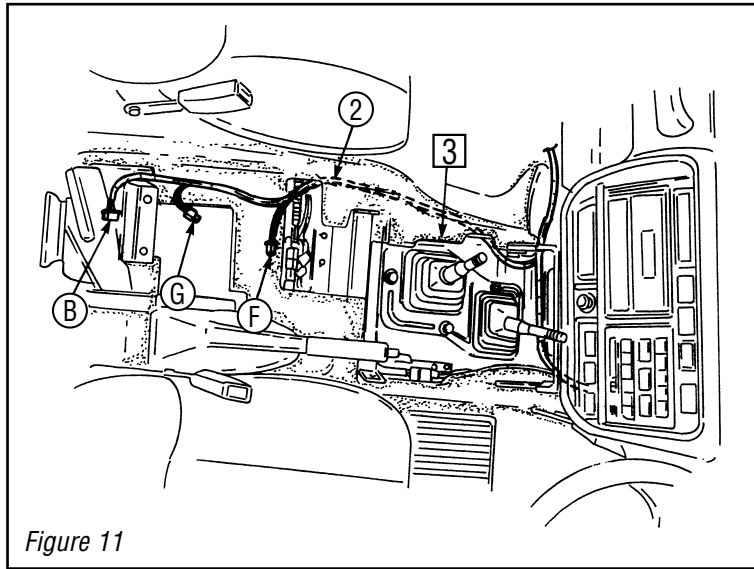


Figure 11

- 4) Lay the fitting kit wire harness (main) ② under the carpet ③.

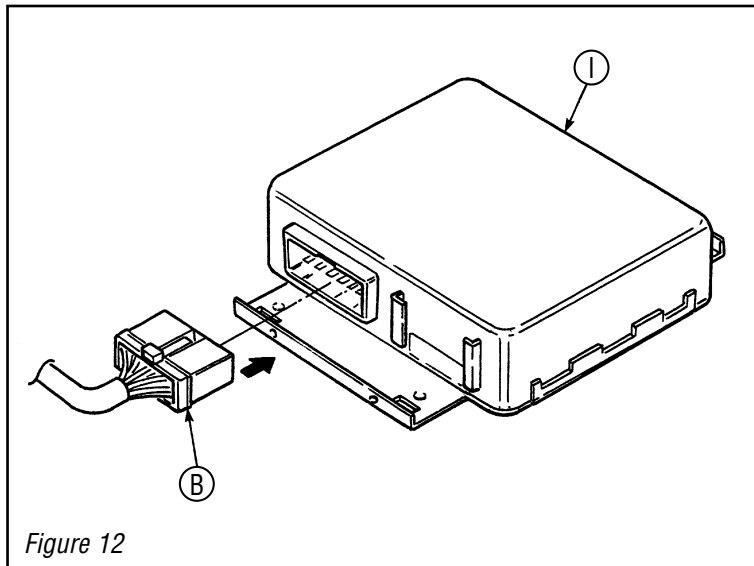


Figure 12

- 5) Connect the fitting kit wire harness (main) ② 26P connector ⑥ (grey) to the TVSS ECU ①.

MOUNTING THE STATUS MONITOR

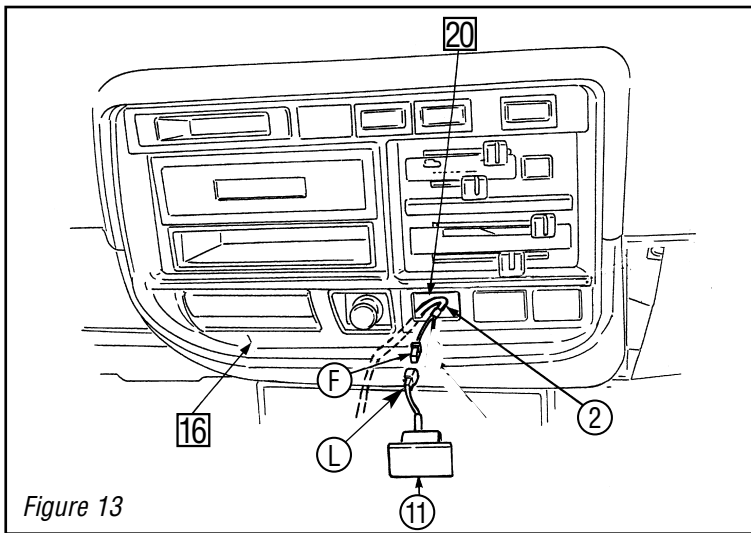


Figure 13

- 1)
 - a) Put the fitting kit wire harness (main) ② 2P connector ⑤ through the switch hole ⑳ from the rear of the centre cluster ⑩.
 - b) Reinstall the centre cluster ⑩.
 - c) Connect the fitting kit wire harness (main) ② 2P connector ⑤ (clear) to the status monitor's ⑪ 2P connector (clear).
 - d) Fit the status monitor ⑪ to the switch hole ⑳.



MOUNTING THE RADAR SENSOR

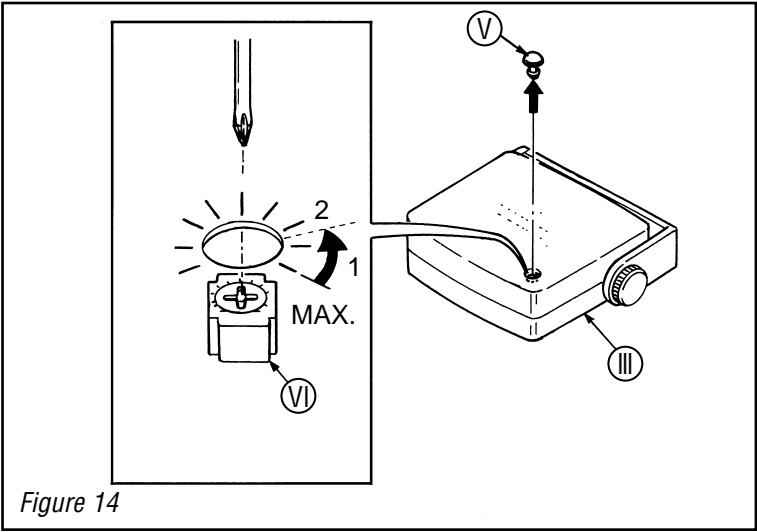


Figure 14

- 1)
 - a) Remove the cap (V) from the radar sensor (III).
 - b) Locate the trimmer (VI) in the small hole.
 - c) Turn the trimmer (VI) clockwise to the maximum.
 - d) Turn the trimmer (VI) counterclockwise between the first and the second position from the maximum.
 - e) Test and adjust the sensor sensitivity in accordance with the SETTING GUIDE.
 - f) Refit the cap (V).

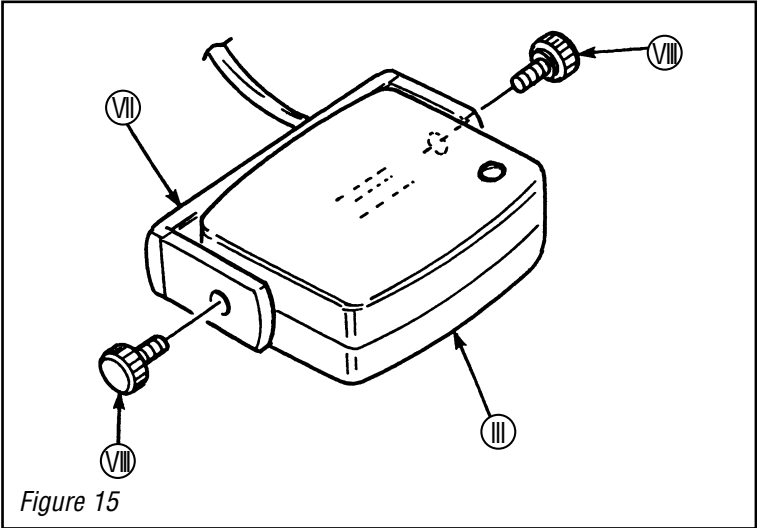


Figure 15

- 2)
 - Remove the bracket (VII).
- (VIII): Screws (2x)

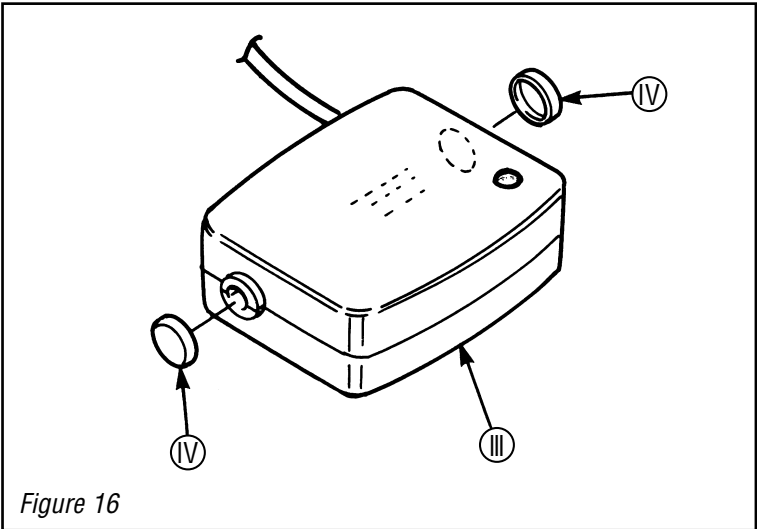


Figure 16

- 3)
 - Fit the caps (IV) (2x) to the radar sensor (III).

Mounting the Radar Sensor

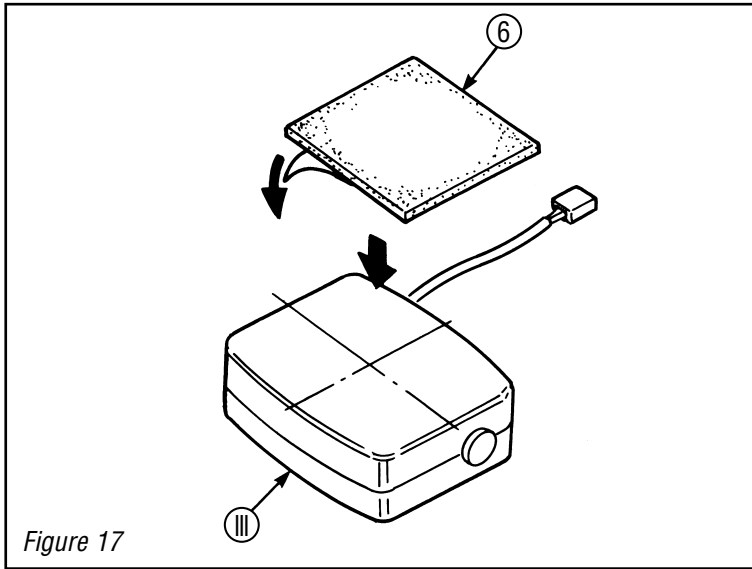


Figure 17

- 4) Attach the butyl tape ⑥ to the back of the radar sensor ③.

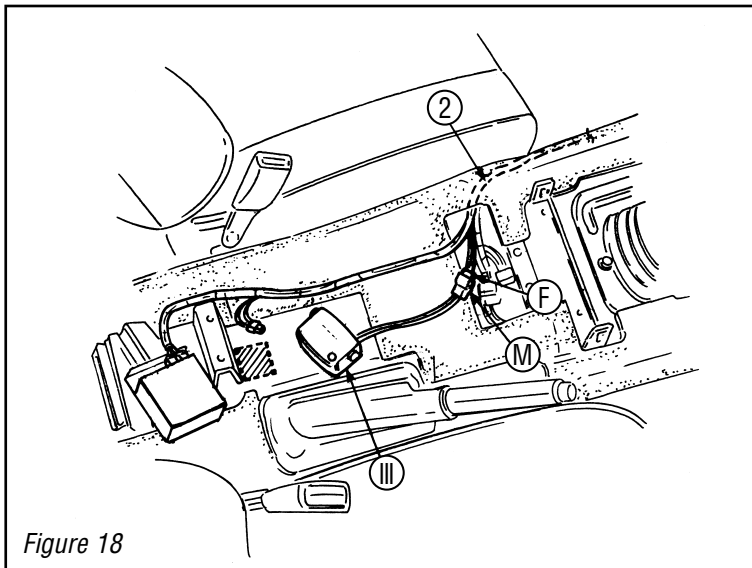


Figure 18

- 5)
 - a) Connect the fitting kit wire harness (main) ② 4P connector ④ (white) to the radar sensor 4P connector ⑤ (white).
 - b) Locate and mark the radar location (shaded portion in the figure).

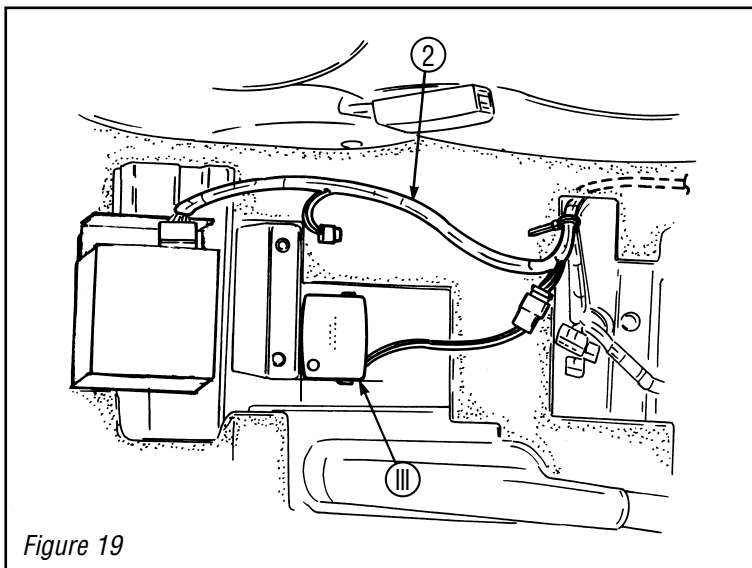


Figure 19

- 6) Position the radar sensor ③ as shown and push to attach.

MOUNTING THE GLASS BREAKAGE CONTROL UNIT

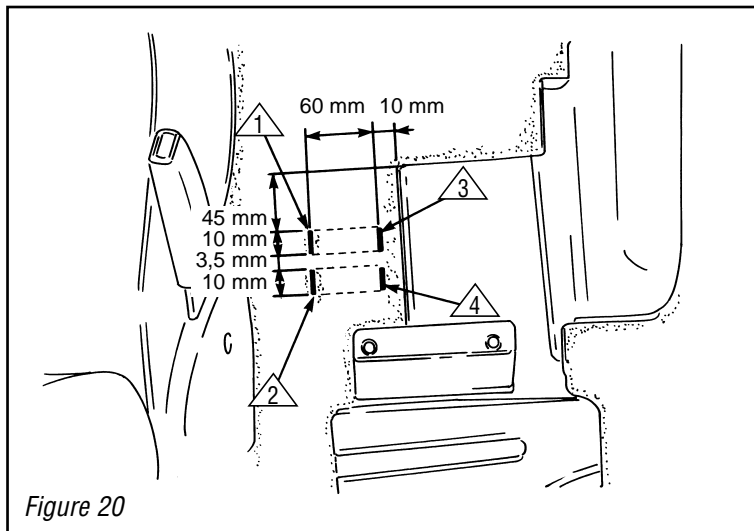
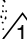
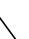
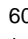
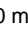


Figure 20

- 1) Measure and cut the carpet as shown to make four slits , ,  and .

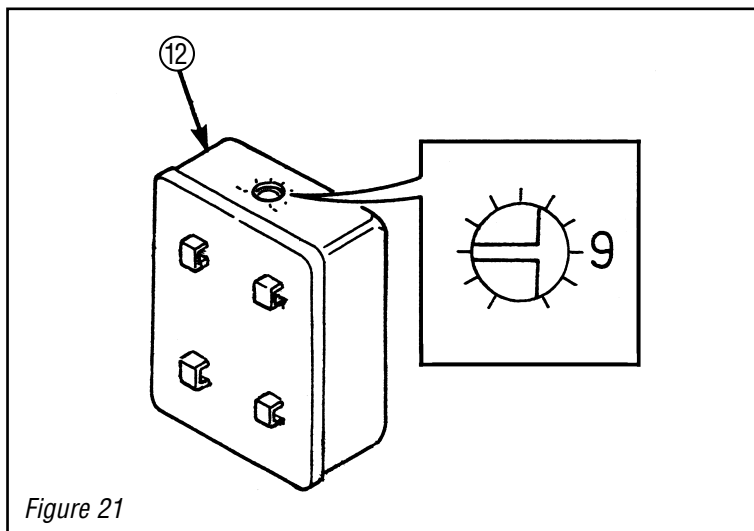


Figure 21

- 2) Turn the sensor adjustment screw to position "9" to obtain optimum sensitivity.

NOTE: False alarm may occur if the sensitivity is set too high. Test the system according to the **SETTING GUIDE** to ensure the correct setting.

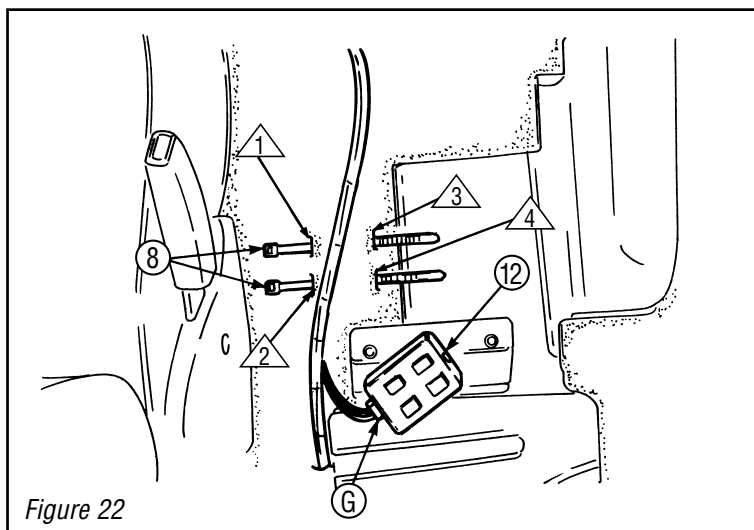


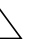



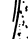



Figure 22

- 3)
 - a) Run the wire ties  (2x) through the slits , ,  and .
 - b) Connect the fitting kit wire harness (main)  6P connector  (white) to the glass breakage control unit .

Mounting the Glass Breakage Control Unit

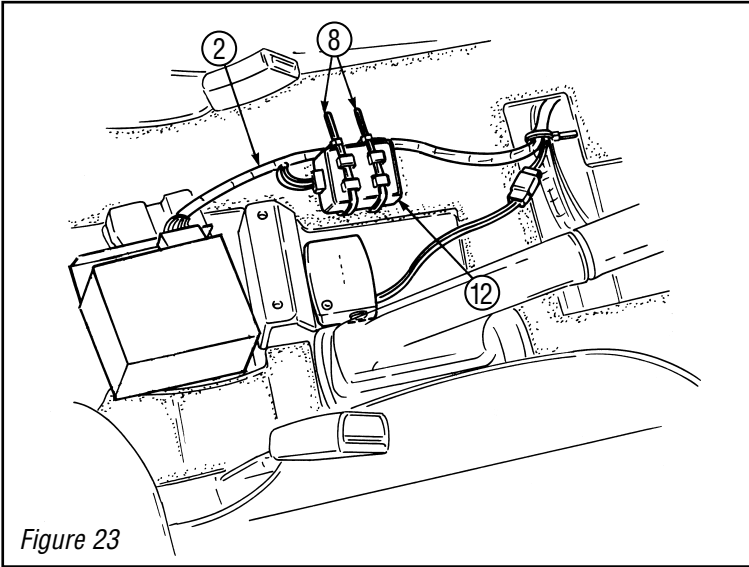
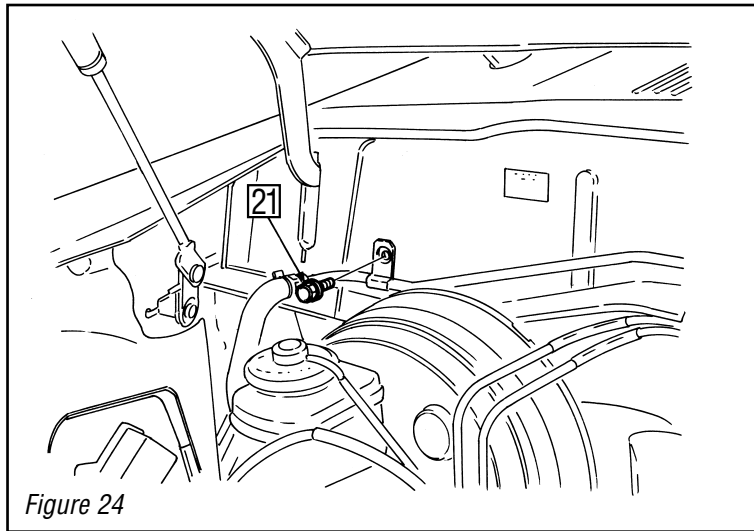


Figure 23

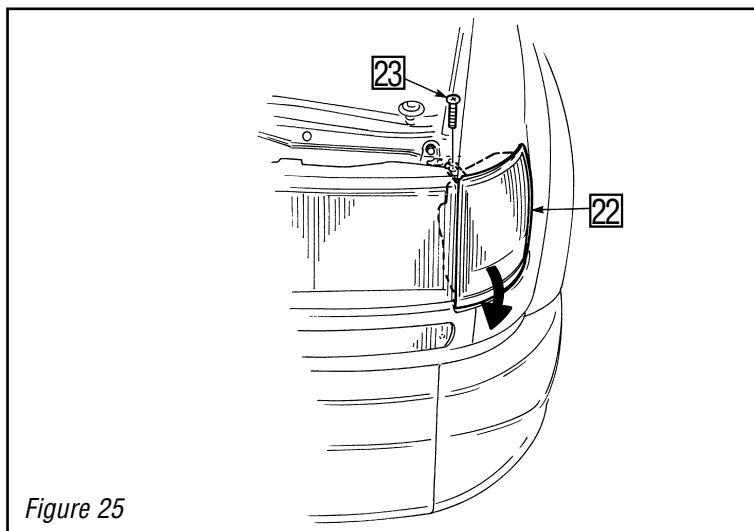
4)

Put the wire ties ⑧ (2x) around the glass breakage control unit ⑫ and secure.

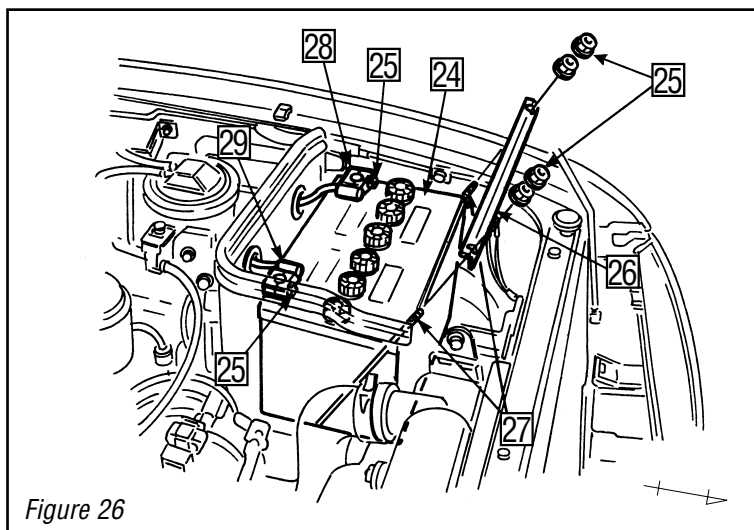
VEHICLE DISASSEMBLY (ENGINE COMPARTMENT)



- 1)
Remove the bolt 21.



- 2)
Remove the passenger's side indicator light 22.
- 23: Screw



FOR PETROL ENGINE MODELS

- 3)
Remove the battery 24.

- 25: Nuts (6x)
- 26: Frame
- 27: Hook brackets (2x)
- 28: Negative battery terminal
- 29: Positive battery terminal

Vehicle Disassembly (Engine Compartment)

Figure 24

Figure 25

Figure 26

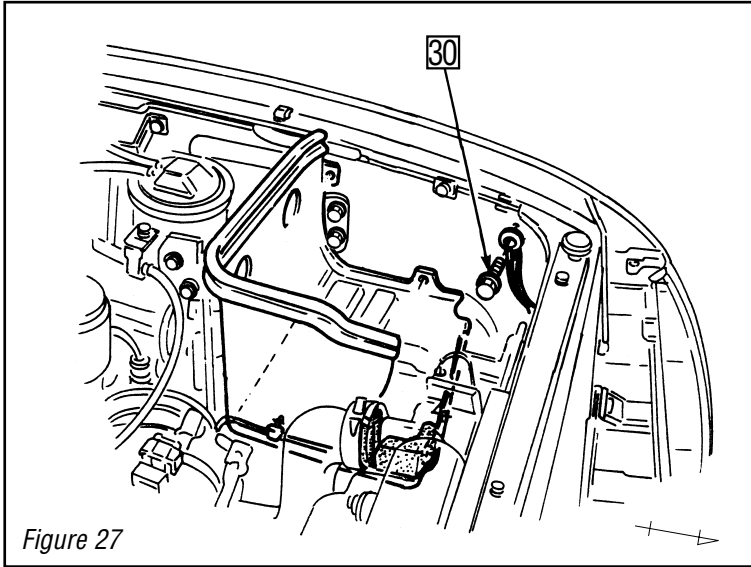


Figure 27

FOR PETROL ENGINE MODELS

- 4)
Remove the ground bolt 30.
(Do not discard)

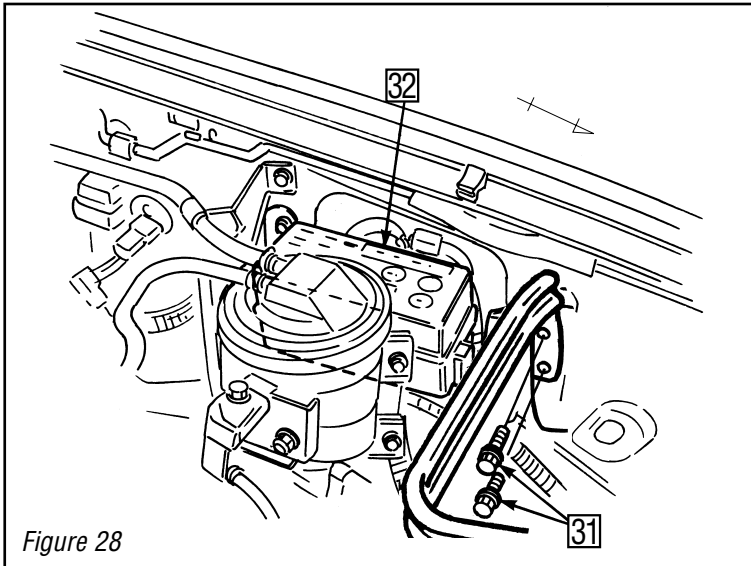


Figure 28

FOR PETROL ENGINE MODELS

- 5)
Remove and discard the two bolts 31 securing the fuse box 32.

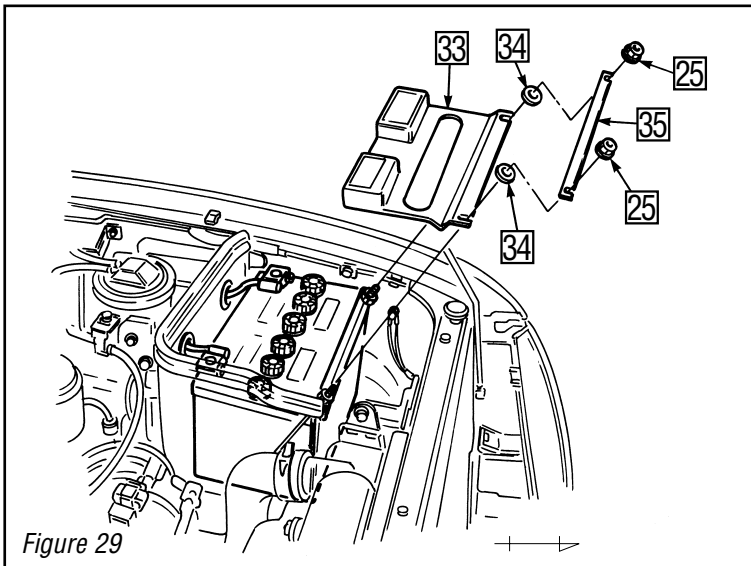


Figure 29

FOR DIESEL ENGINE MODELS

- 6)
Remove the battery cover 33.

- 25: Nuts (2x)
- 34: Washers (2x)
- 35: Bracket

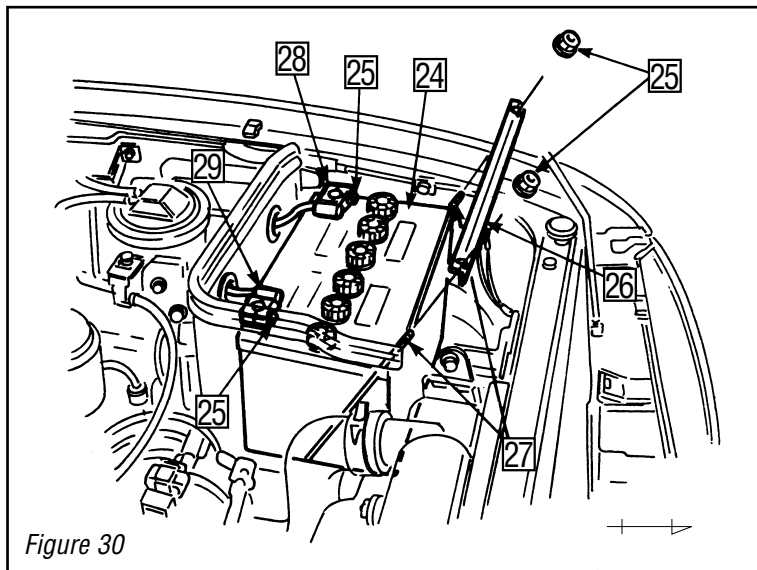


Figure 30

FOR DIESEL ENGINE MODELS

7)

Remove the battery 24.

- 25: Nuts (4x)
- 26: Frame
- 27: Hook brackets (2x)
- 28: Negative battery terminal
- 29: Positive battery terminal

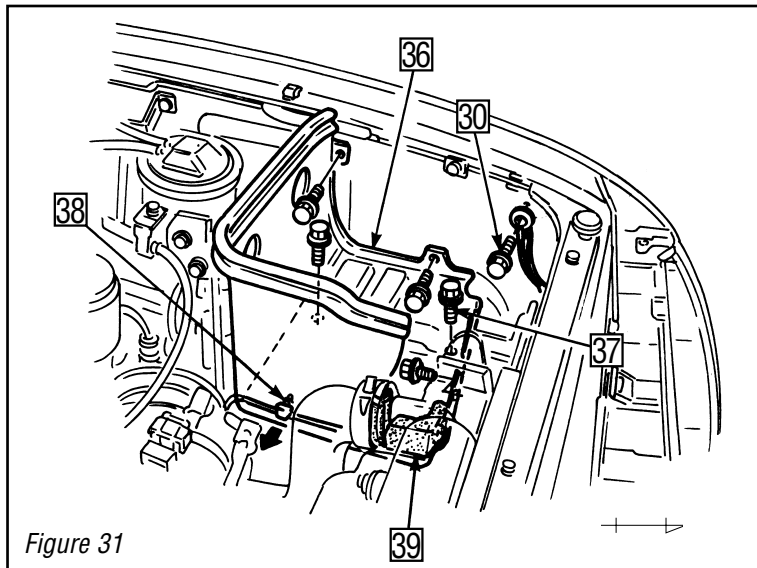


Figure 31

FOR DIESEL ENGINE MODELS

8)

Remove the battery tray 36 and the ground bolt 30.

- 37: Bolts (5x)
- 38: Clip
- 39: Foam

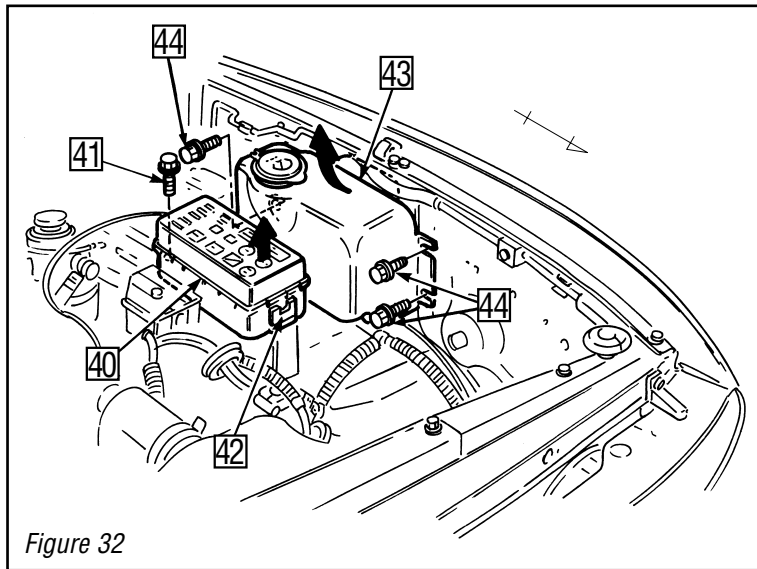


Figure 32

FOR DIESEL ENGINE MODELS

9)

a) Lift the fuse box 40.

- 41: Bolts
- 42: Clip

b) Release the washer tank 43.

- 44: Bolts (3x) (Discard two of them)

MOUNTING THE SIREN

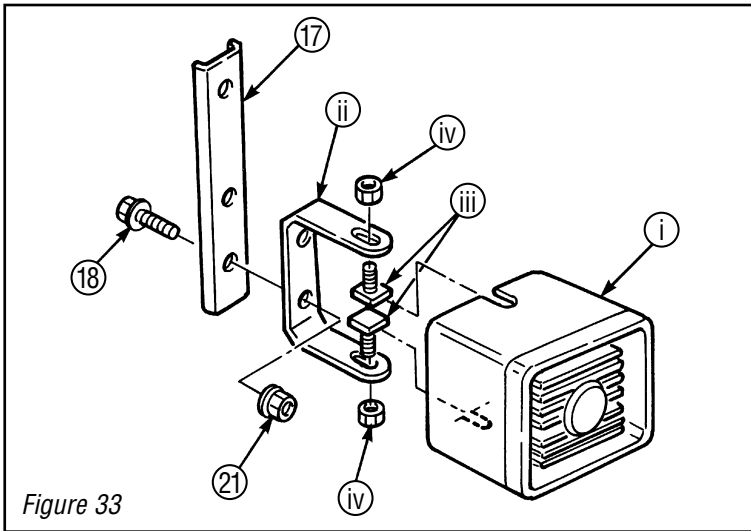


Figure 33

- 1)
 - a) Fit the mounting bracket 17 to the siren bracket ii with bolt 18 and nut 21.
 - b) Fit the siren bracket ii to the siren i with the bolts iii (2x) and nuts iv (2x) temporarily.

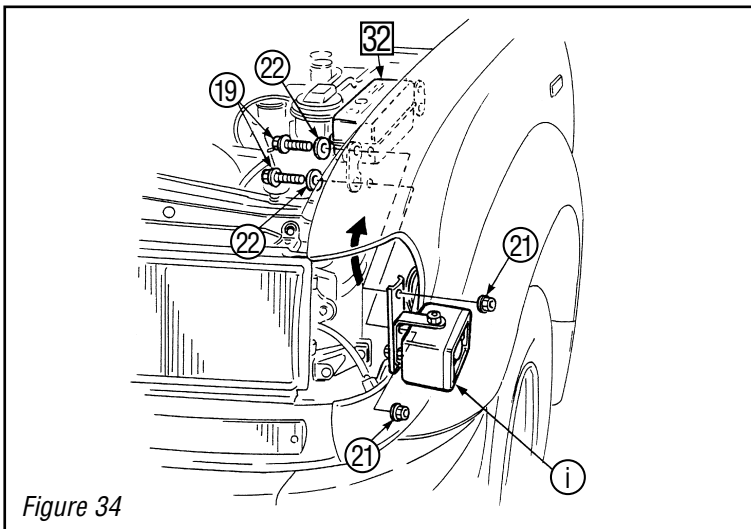


Figure 34

FOR PETROL ENGINE MODELS

- 2)
 - a) Relocate the fuse box 32 with the bolts 19 (2x) and the washers 22 (2x).
 - b) Locate the siren bracket to the tip of the bolts 19.
 - c) Secure the siren to the vehicle with the nuts 21 (2x).

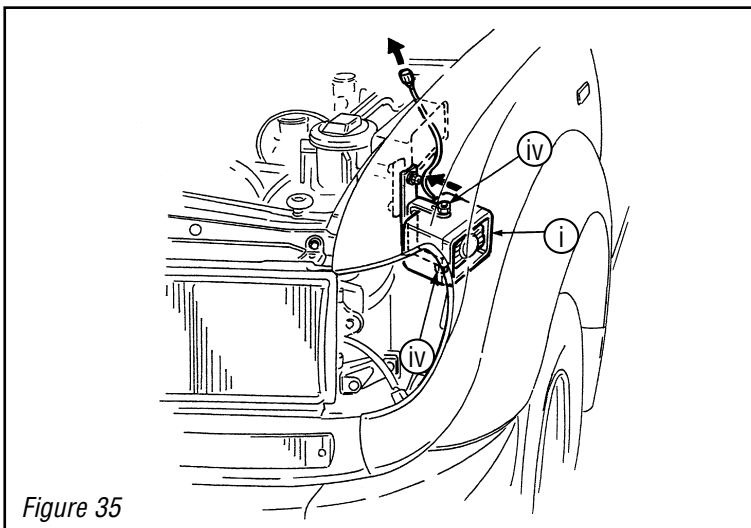


Figure 35

FOR PETROL ENGINE MODELS

- 3)
 - a) Push the siren i towards the siren bracket ii.
 - b) Make sure to tighten the nuts iv (2x).

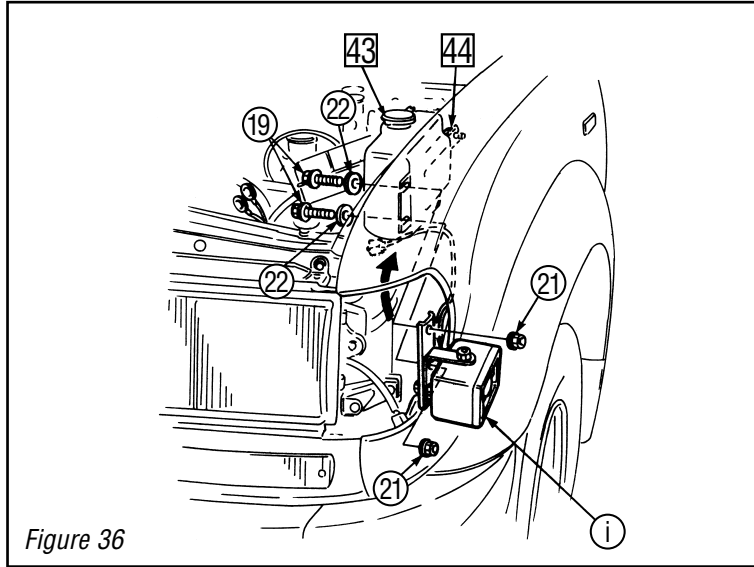


Figure 36

FOR DIESEL ENGINE MODELS

- 4)
- a) Relocate the washer tank 43 with the bolts 19 (2x), the washers 22 (2x) and bolt 44.
- b) Locate the siren bracket to the tip of the bolts 19.
- c) Secure the siren to the vehicle with the nuts 21 (2x).

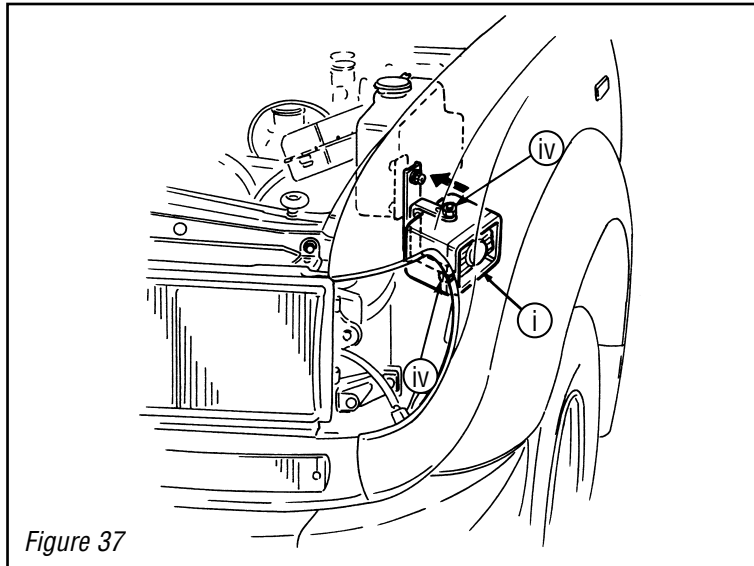


Figure 37

FOR DIESEL ENGINE MODELS

- 5)
- a) Push the siren i towards the siren bracket.
- b) Make sure to tighten the nuts iv (2x).

WIRE HARNESS (ENGINE) INSTALLATION

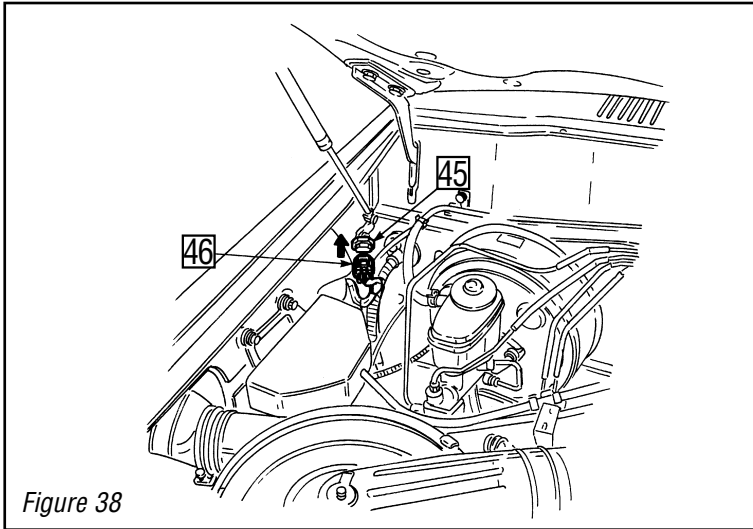


Figure 38

- 1)
 - a) Locate the 6P connector 45 (grey) in the brake booster area.
 - b) Remove and discard the cap 46 from the 6P connector 45.

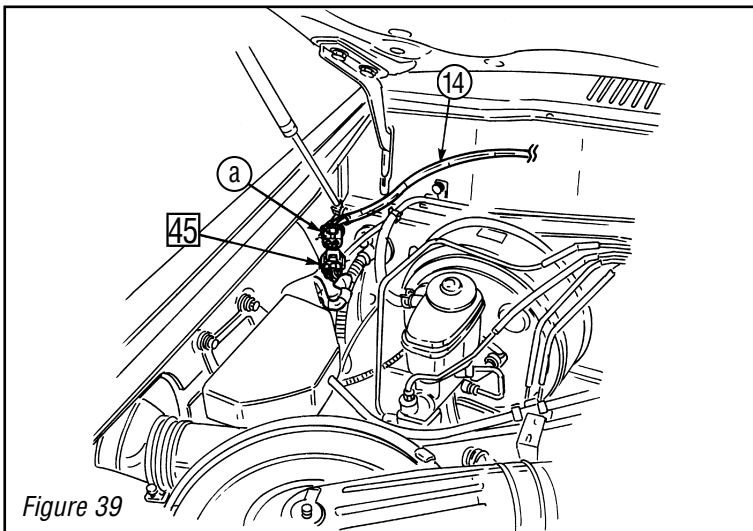


Figure 39

- 2)

Connect the fitting kit wire harness (engine) 14 6P male connector a (grey) to the vehicle 6P female connector 45 (grey).

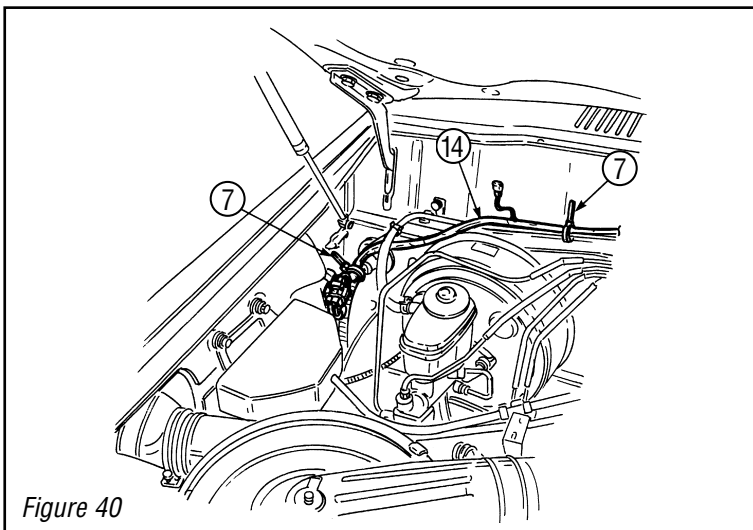


Figure 40

- 3)

Lay and attach the fitting kit wire harness (engine) 14 with the wire ties 7 (2x).

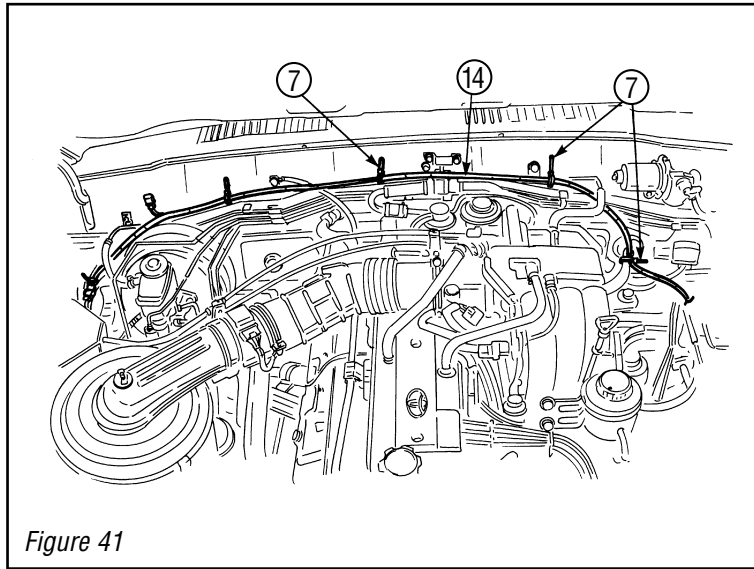


Figure 41

- 4)
Lay and attach the fitting kit wire harness (engine) ⑭ with the wire ties ⑦ (3x).

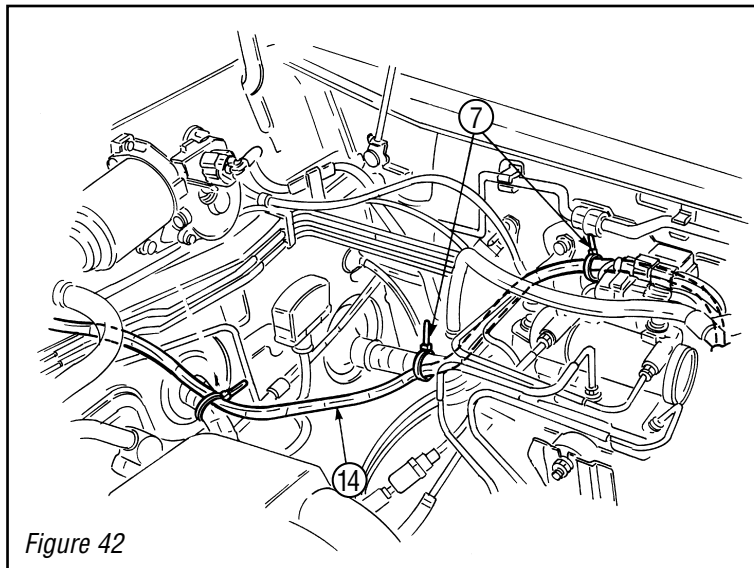


Figure 42

- 5)
Lay and attach the fitting kit wire harness (engine) ⑭ with the wire ties ⑦ (2x).

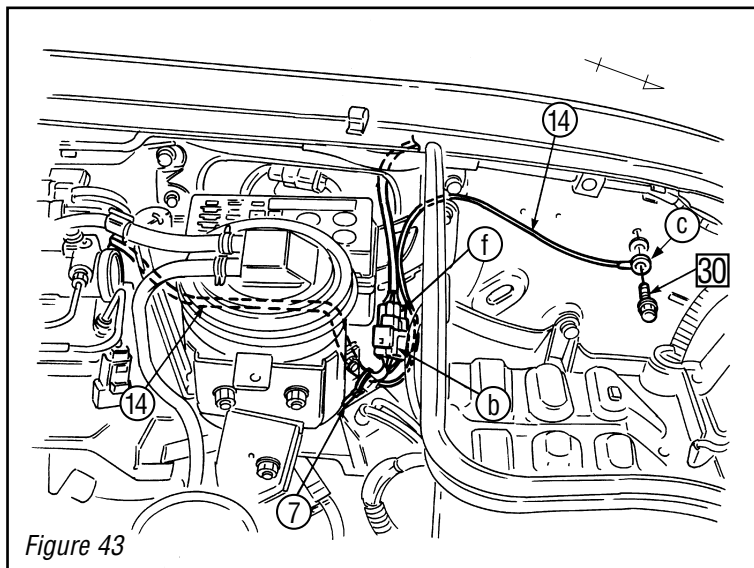


Figure 43

FOR PETROL ENGINE MODELS

- 6)
a) Connect the fitting kit wire harness (engine) ⑭ 6P female connector ⑥ (grey) to the siren 6P male connector ① (grey).
b) Secure the fitting kit wire harness (engine) ⑭ ground terminal ③ with the existing bolt ⑩.
c) Attach the fitting kit wire harness (engine) ⑭ with the wire tie ⑦.

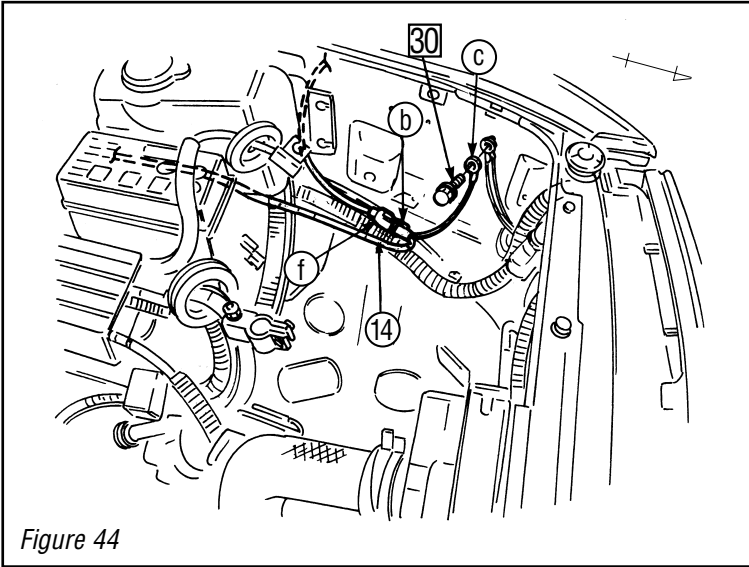


Figure 44

FOR DIESEL ENGINE MODELS

- 7)
- a) Connect the fitting kit wire harness (engine) ⑭ 6P female connector ① (grey) to the siren 6P male connector ① (grey).
- b) Secure the fitting kit wire harness (engine) ⑭ ground terminal ③ with the existing bolt ⑩.

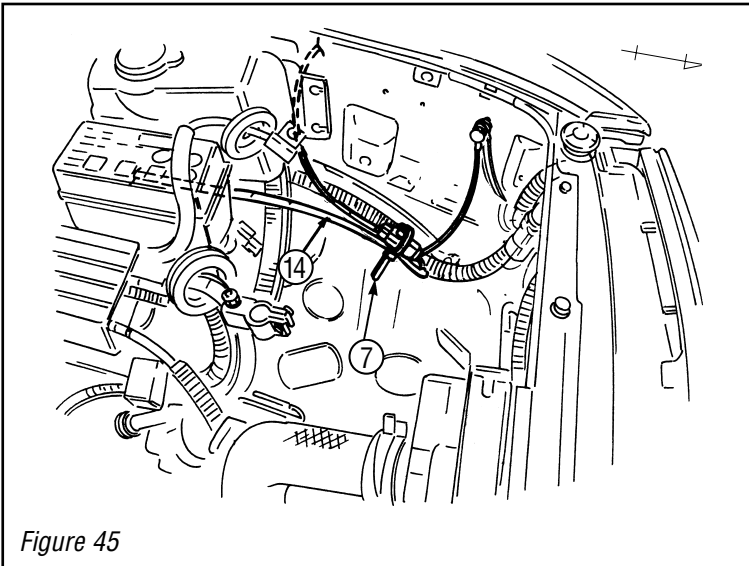


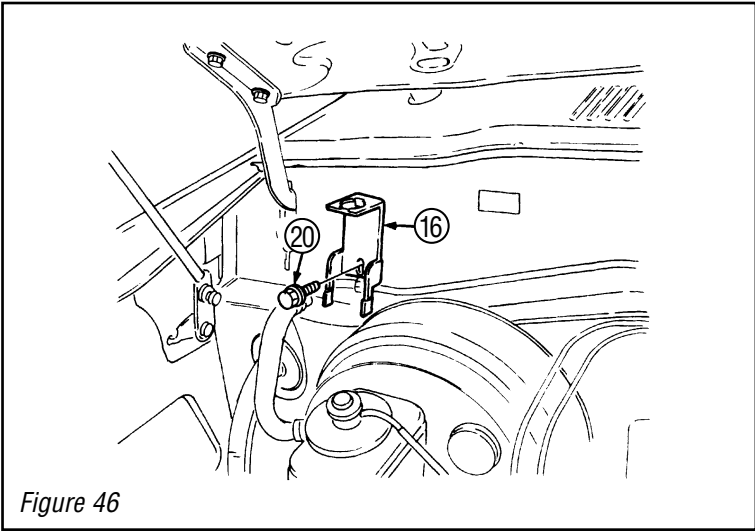
Figure 45

FOR DIESEL ENGINE MODELS

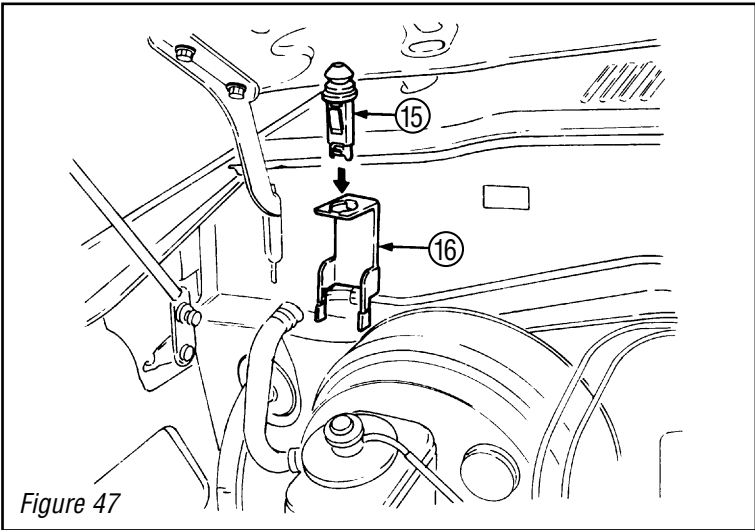
- 8)
- Secure the fitting kit wire harness (engine) ⑭ with the wire tie ⑦.



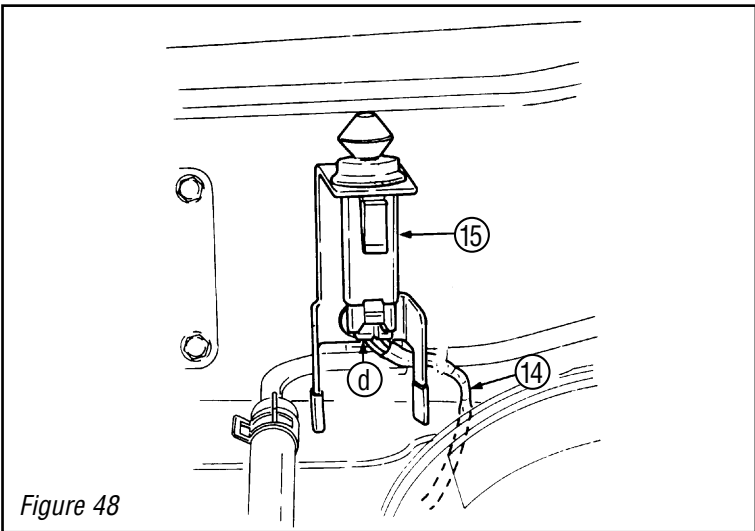
MOUNTING THE HOOD SWITCH



- 1) Fit the hood switch bracket ⑯ to the vehicle with the bolt ⑳.



- 2) Fit the hood switch ⑮ to the hood switch bracket ⑯.



- 3) Connect the fitting kit wire harness (engine) ⑭ 2P connector ① (white) to the hood switch ⑮.

Mounting the Hood Switch

SETTING THE TVSS ECU DIP SWITCHES AND TESTING THE SYSTEM

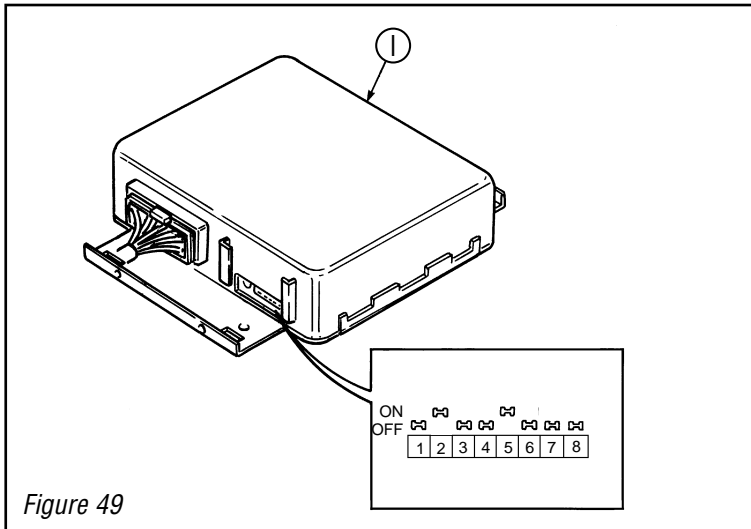


Figure 49

- 1)
 - a) Set the dip switches of the TVSS ECU ① as shown.
 - b) Test the system as explained in the SETTING GUIDE.



MOUNTING THE TVSS ECU

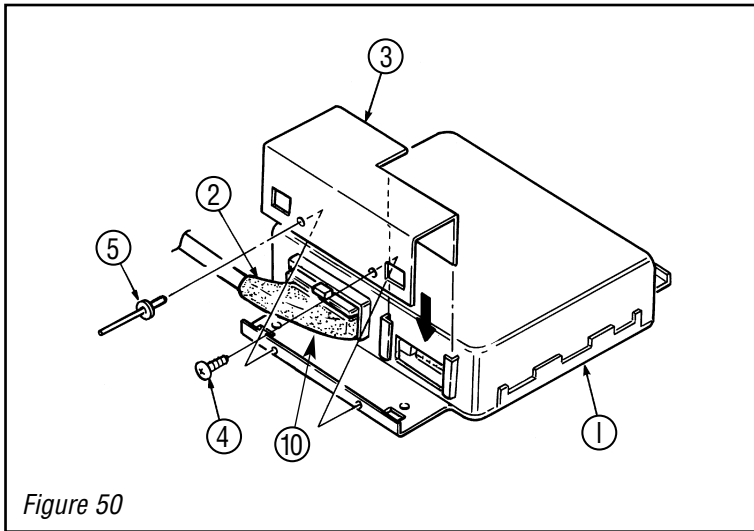


Figure 50

- 1)
 - a) Wrap the fitting kit wire harness ② along the 26P connector ⑥ (grey) in the foam ⑩.
 - b) Fit the protective bracket ③ to the TVSS ECU ① with the screw ④ and the blind rivet ⑤.

(For details of how to use the blind rivet see next figure).

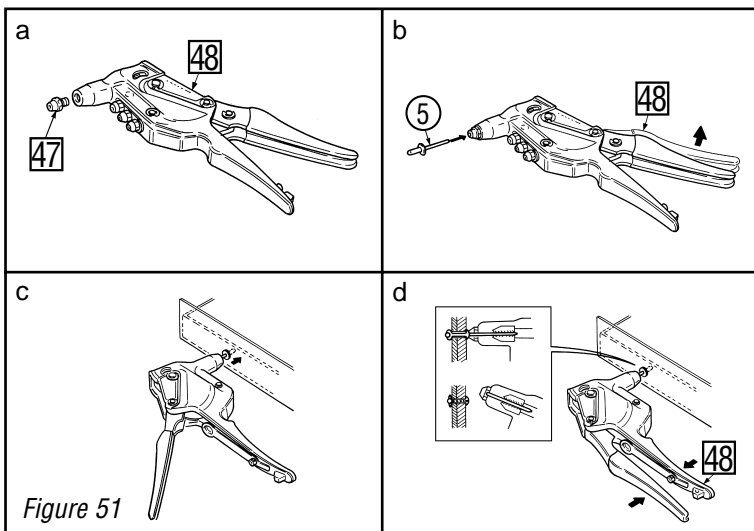


Figure 51

- 2)
 - a) Fit the nose adapter fitting ④⑦ to the nose of the riveting tool ④⑧.
 - b) Open the riveting tool ④⑧ and put the blind rivet ⑤ on the nose.
 - c) Insert the tip of the blind rivet ⑤ through the hole of the TVSS ECU ① as far as it will go.
 - d) Close the riveting tool ④⑧ arms repeatedly until the blind rivet ⑤ comes away.

NOTE: Any other blind riveting tool will do.

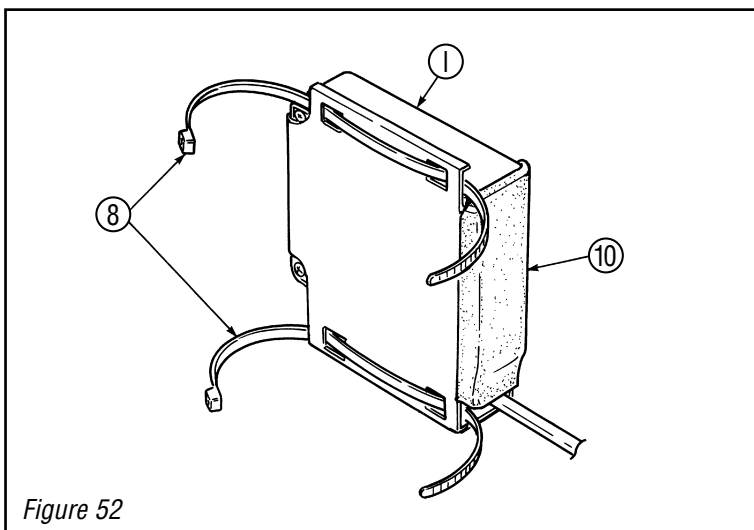


Figure 52

- 3)
 - a) Attach the foam ⑩ to the TVSS ECU ①.
 - b) Run the wire ties ⑧ (2x) through the holes of the TVSS ECU ①.

Mounting the TVSS ECU

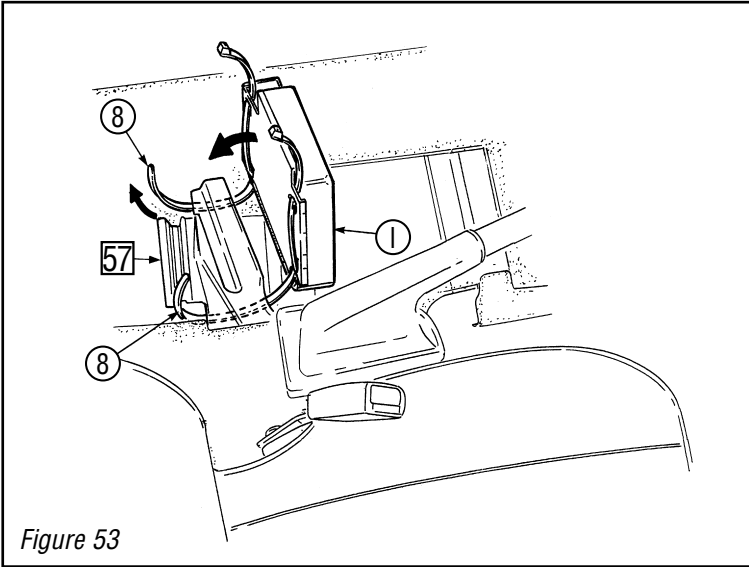


Figure 53

- 4)
 - a) Put the wire ties ⑧ (2x) around the rear heater duct ⑤⑦.
 - b) Put the TVSS ECU ① on to the rear heater duct ⑤⑦.

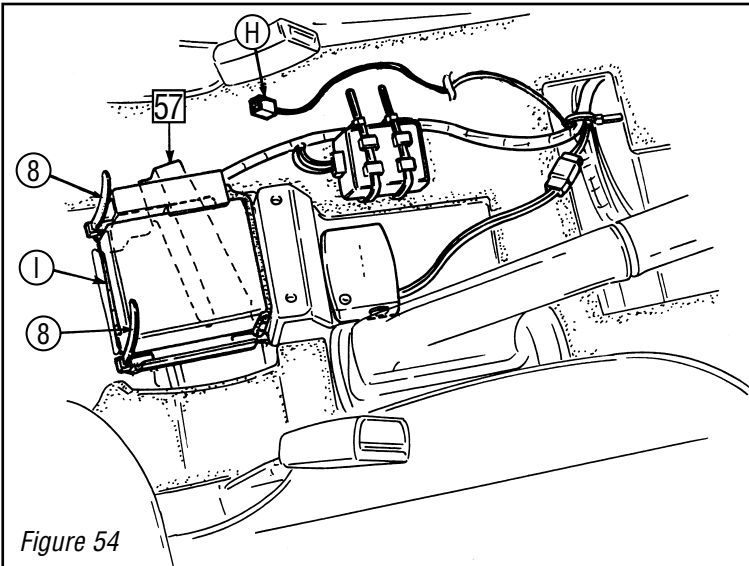


Figure 54

- 5) Secure the TVSS ECU ① to the rear heater duct ⑤⑦ with the wire ties ⑧ (2x).



MOUNTING THE GLASS BREAKAGE SENSOR

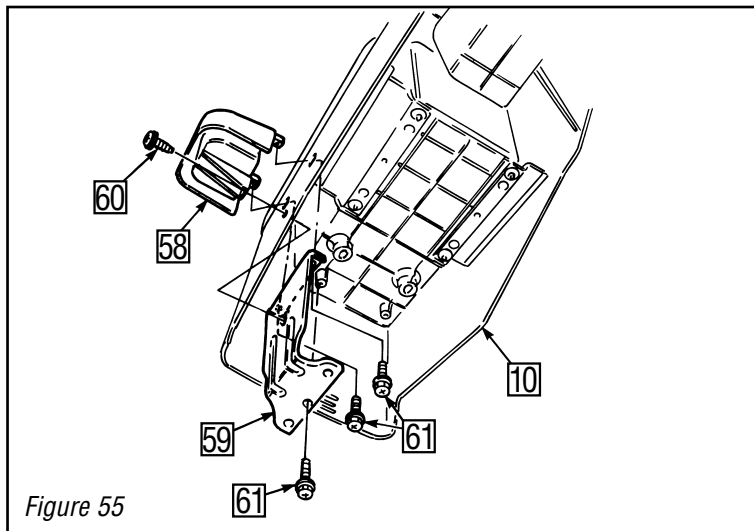


Figure 55

- 1) Remove the accessory tray 58 and bracket 59 from the console compartment 10.

60: Screw
61: Screw (3x)

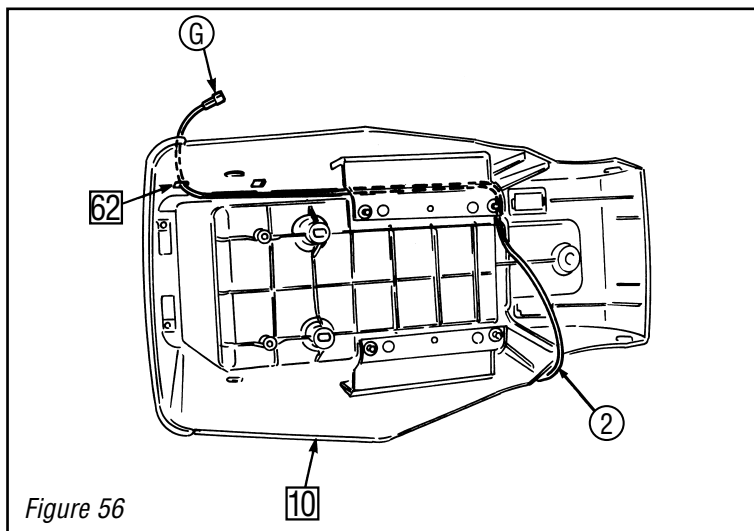


Figure 56

- 2) Route the fitting kit wire harness (main) 2 2P connector G (white) in the console compartment 10 and through the hole 62 from the inside.

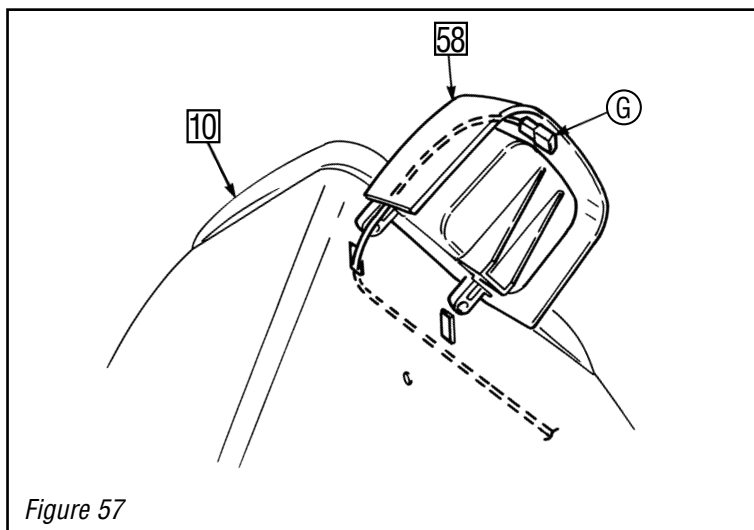


Figure 57

- 3) Refit the accessory tray 58 to the console compartment 10.

Mounting the Glass Breakage Sensor

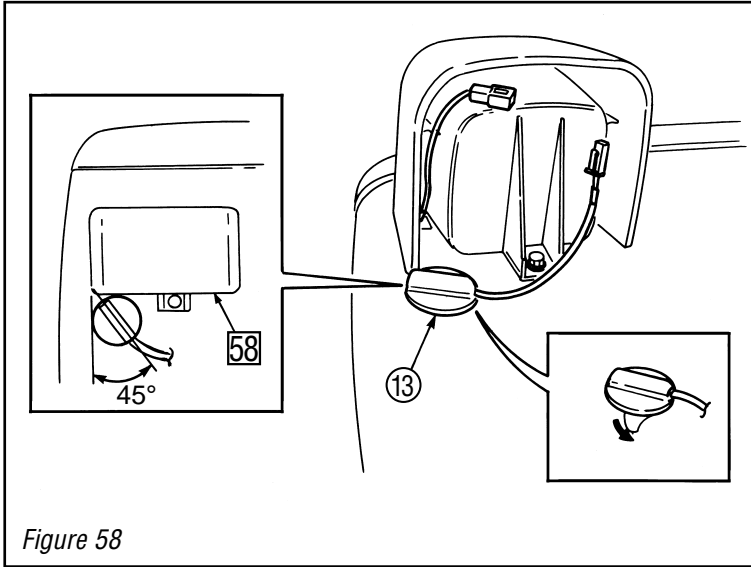


Figure 58

- 4)
- Attach the glass breakage sensor ⑬ to the console compartment so that the sensor ⑬ is located under the accessory tray ⑤⑧ and points to an angle of 45 degrees from top as shown.

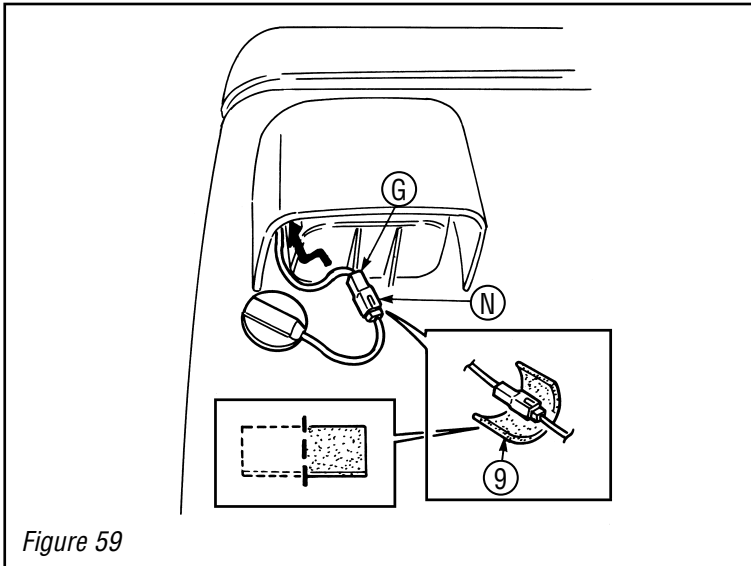


Figure 59

- 5)
- Attach the fitting kit wire harness (main) ② 2P connector ⑥ (white) to the glass breakage sensor 2P connector ⑭ (white).
 - Cut the foam ⑨ in half and wrap the 2P connectors in one half.
 - Put the 2P connectors into the accessory tray.

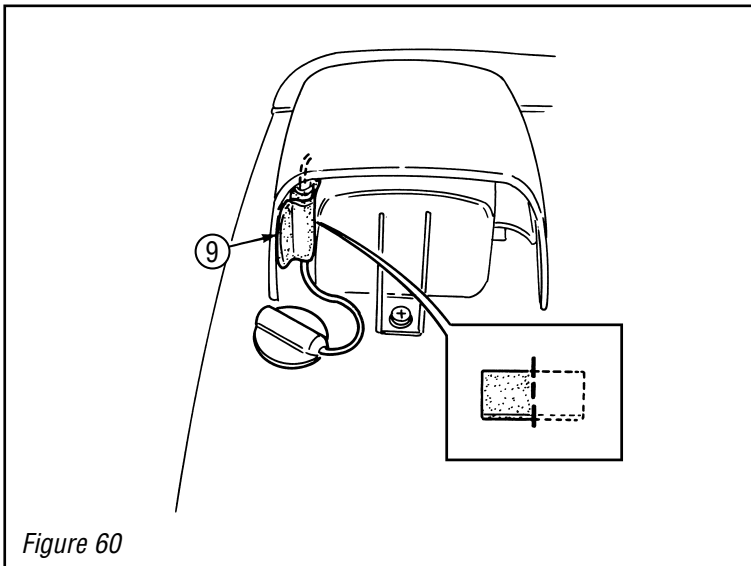


Figure 60

- 6)
- Attach the 2P connectors to the accessory tray by the other half of the foam ⑨ as shown.

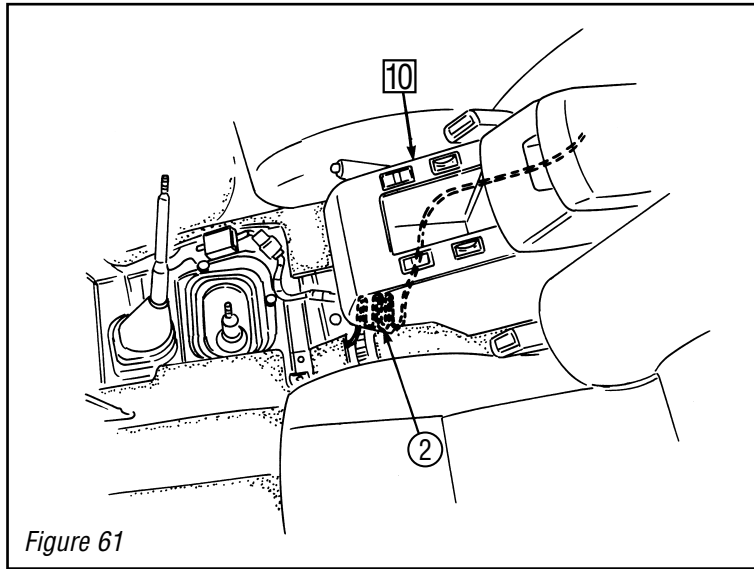


Figure 61

- 7) Refit the console compartment ⑩ and bundle up the excessive part of the fitting kit wire harness (main) ② into it.

ATTACHING THE STICKERS

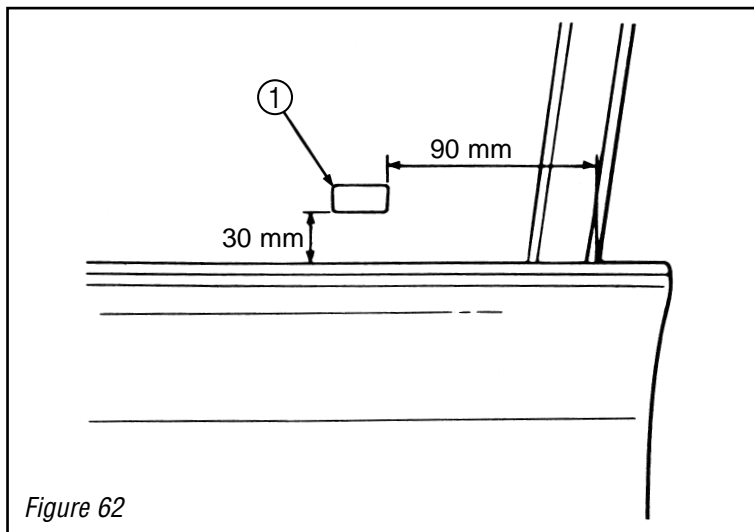


Figure 62

- 1) Attach the stickers ① to both front door windows.

REFIT THE TRIM AND REMOVED PARTS

TOYOTA
GENUINE PARTS