

Hilux

Steel Hard Top Extra/Double Cab

Installation instructions



Model year: 07/2005

Vehicle code: KUN***-R*D*W

Part number: Extra-Cab PZ4AM-N1B2*-**

Double-Cab PZ4AM-N2B2*-**



Weight: Extra-Cab \pm 105 kg / Double-Cab \pm 90 kg

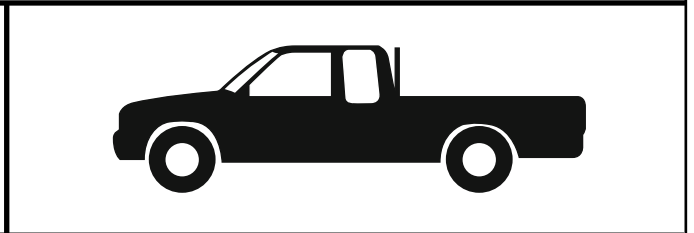
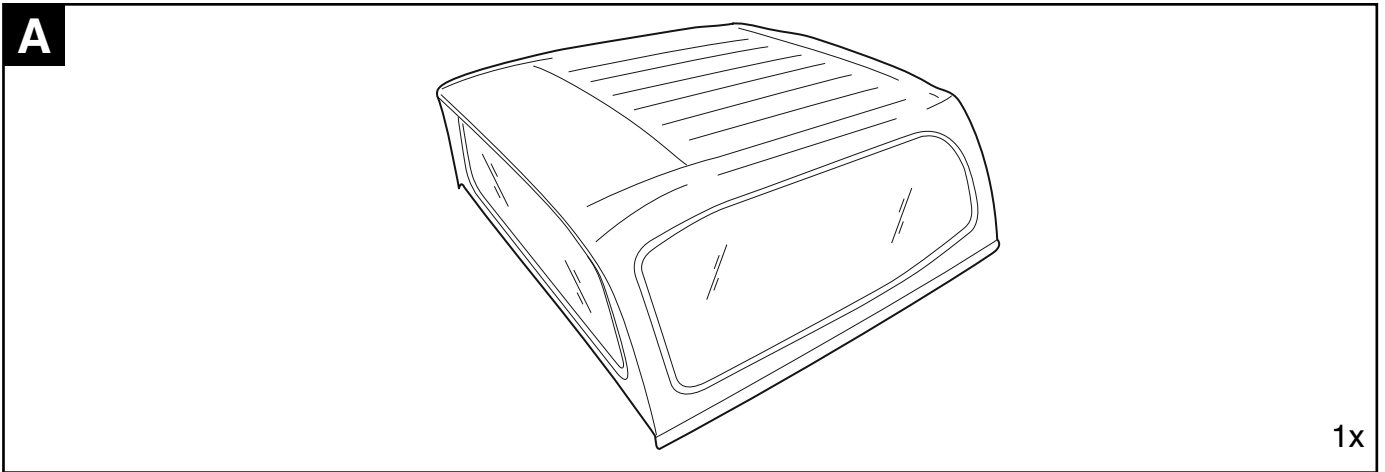


Installation time: 0.5 hours

Manual reference number: AIM 000 950-3

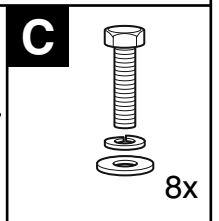
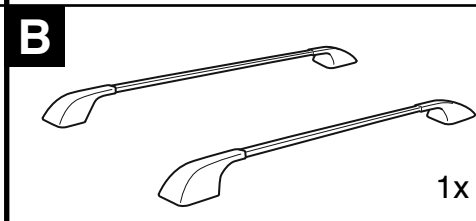
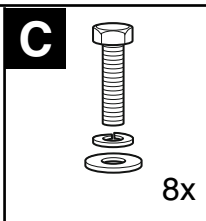
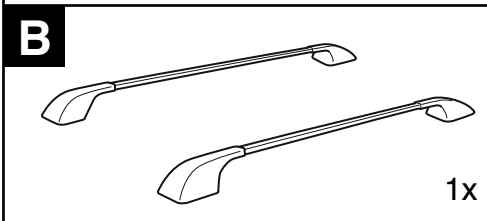
Revision Record

Rev. No.	Date	Page	Picture	Update	New	Deleted Steps
1	10.04.07	3	A	x		
1	10.04.07	3	G		x	
1	10.04.07	4	1		x	
2	17.04.08	3	KIT	x		
2	17.04.08	7	10-11	x		
2	17.04.08	8	14	x		
2	17.04.08	11	18		x	
3	27.07.09	3		X		
3	27.07.09	4				X



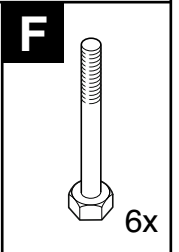
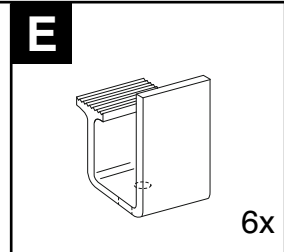
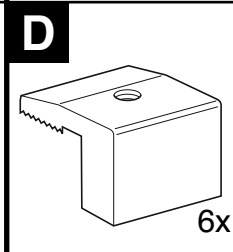
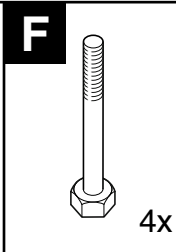
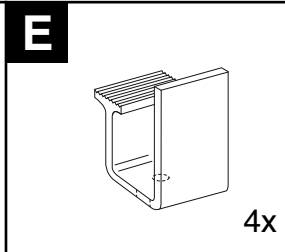
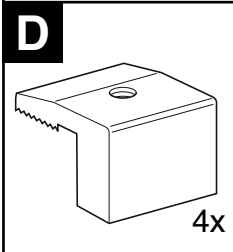
PZ4AM-N2BS0-21

PZ4AM-N1BS0-21



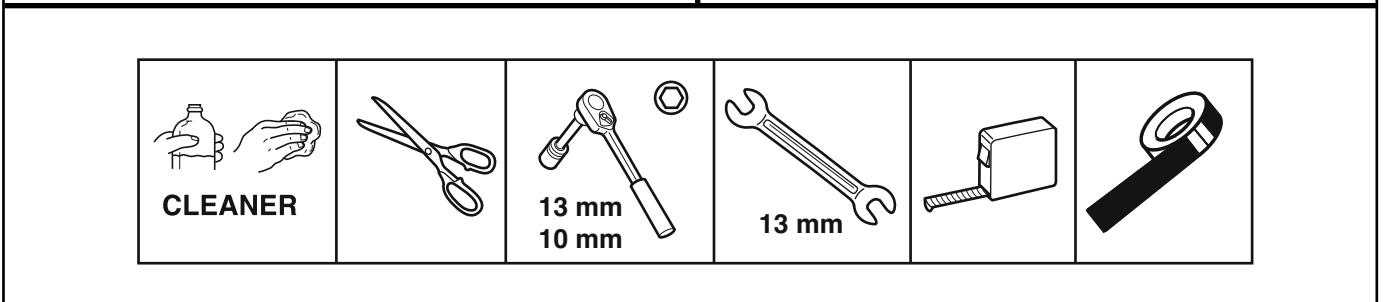
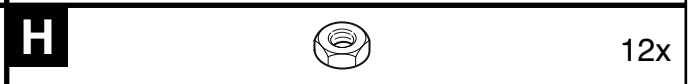
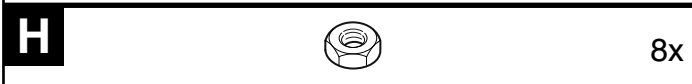
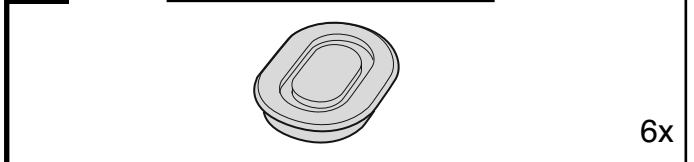
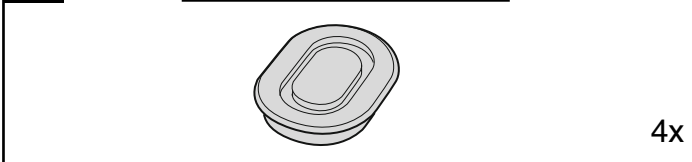
PZ4AM-N2BS0-11

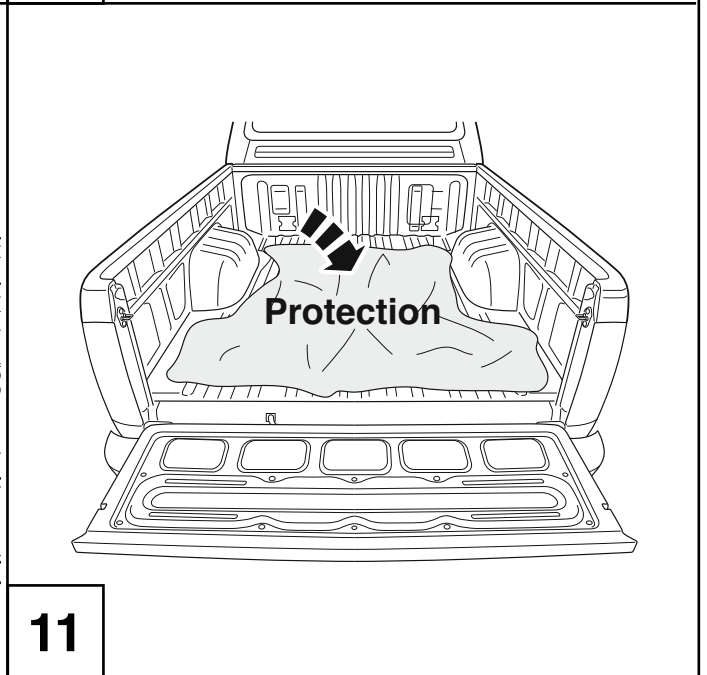
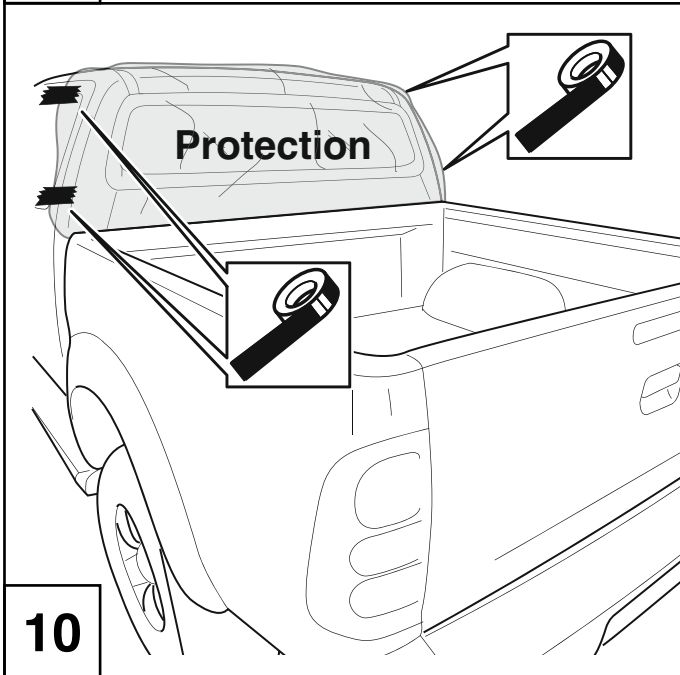
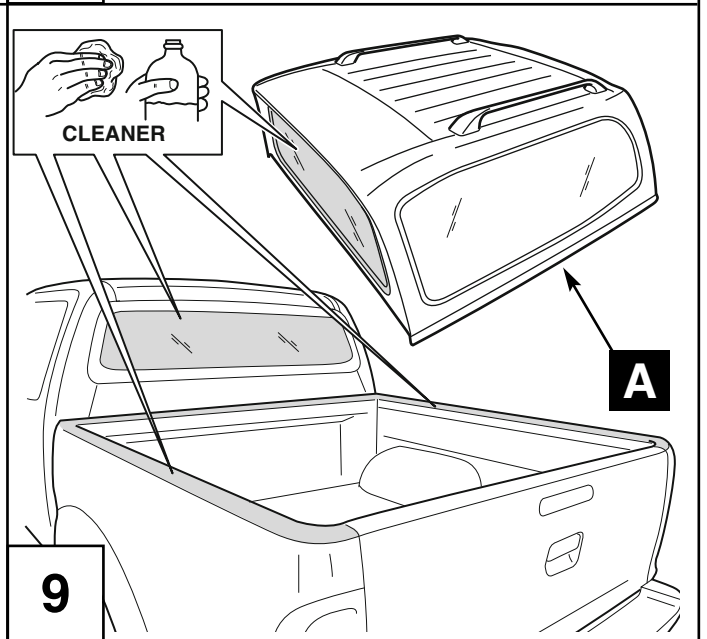
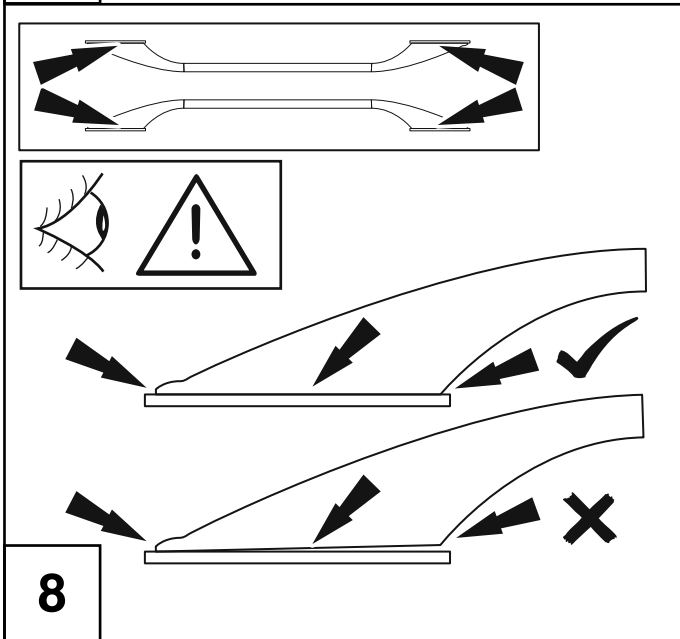
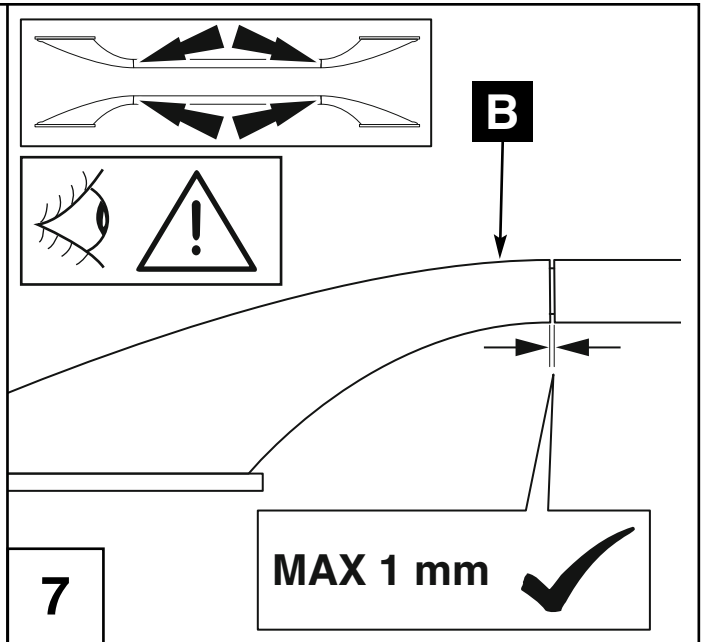
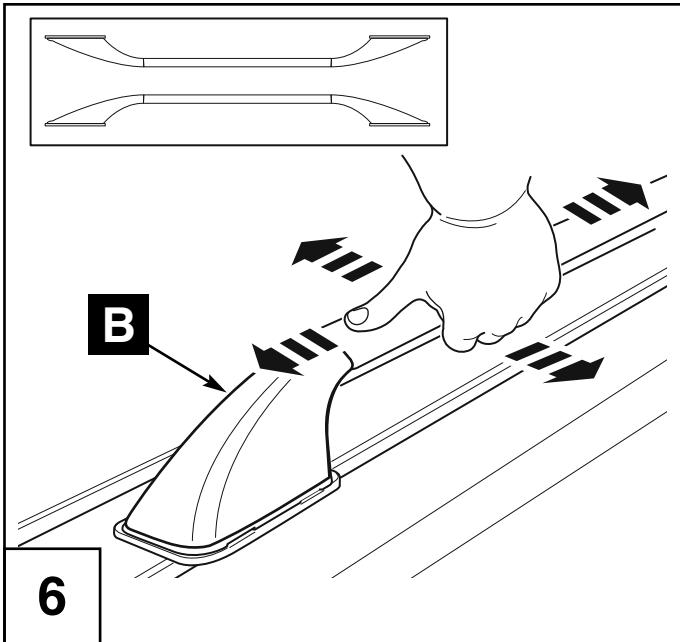
PZ4AM-N1BS0-11

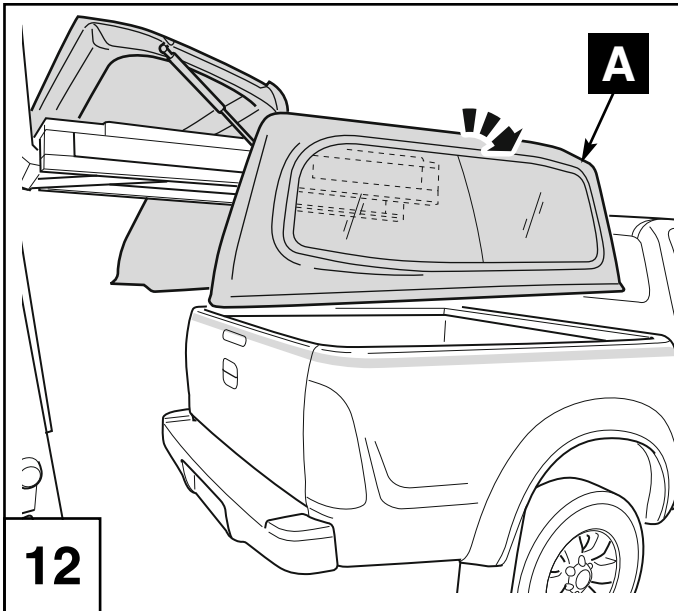


G **PZ4AM-N2BS0-12**

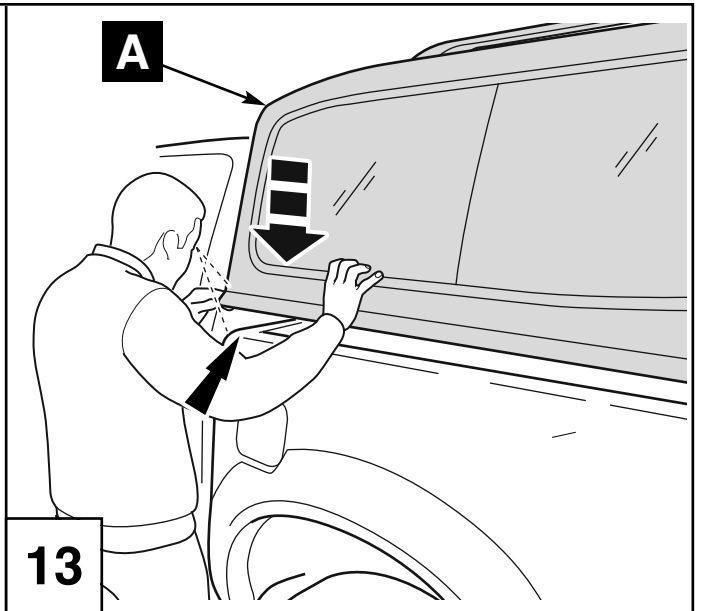
G **PZ4AM-N1BS0-12**



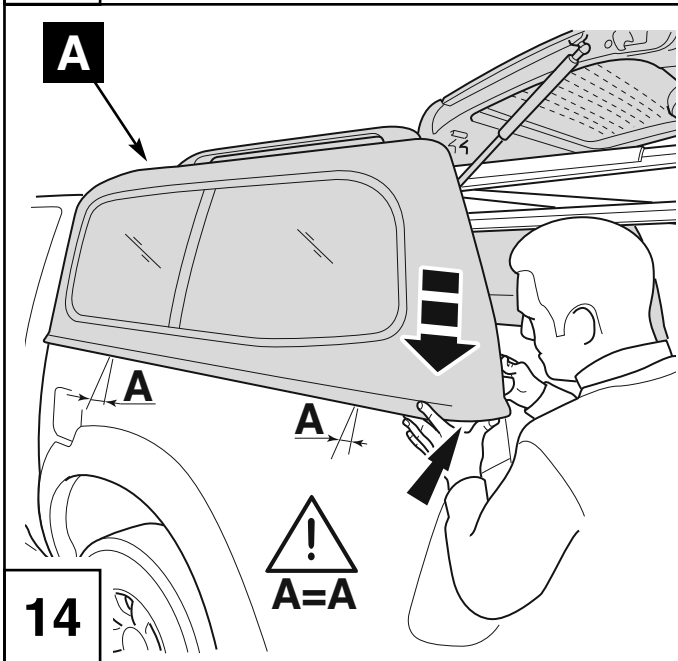




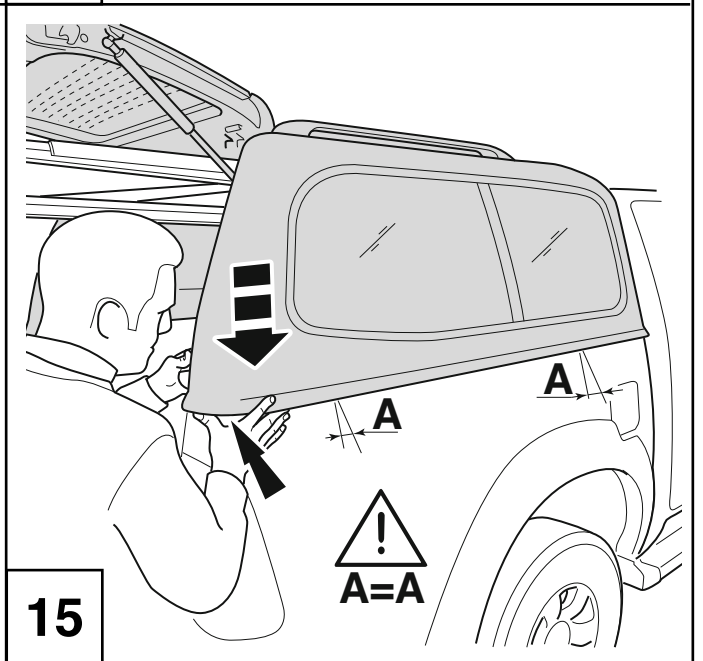
12



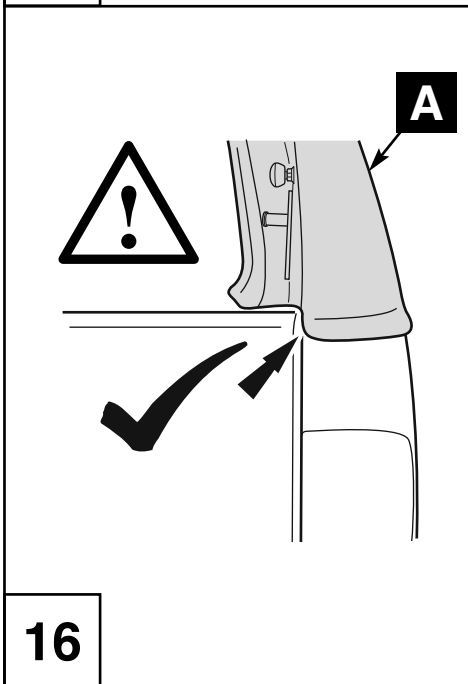
13



14



15



16

