



Accessory Repair Manual
Swivel Seat

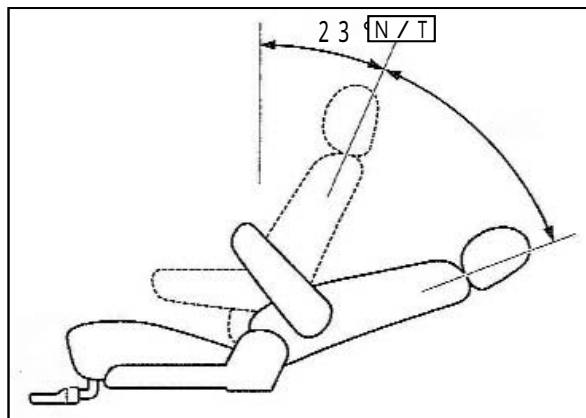
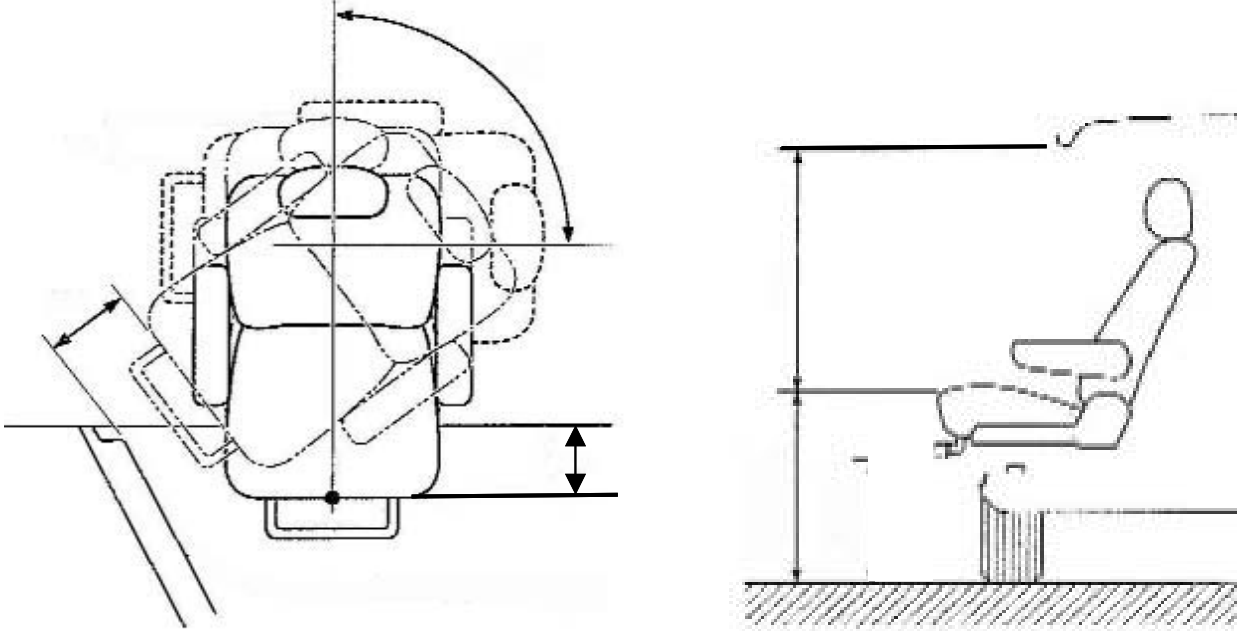


Manual reference number

ASM 000 005-0

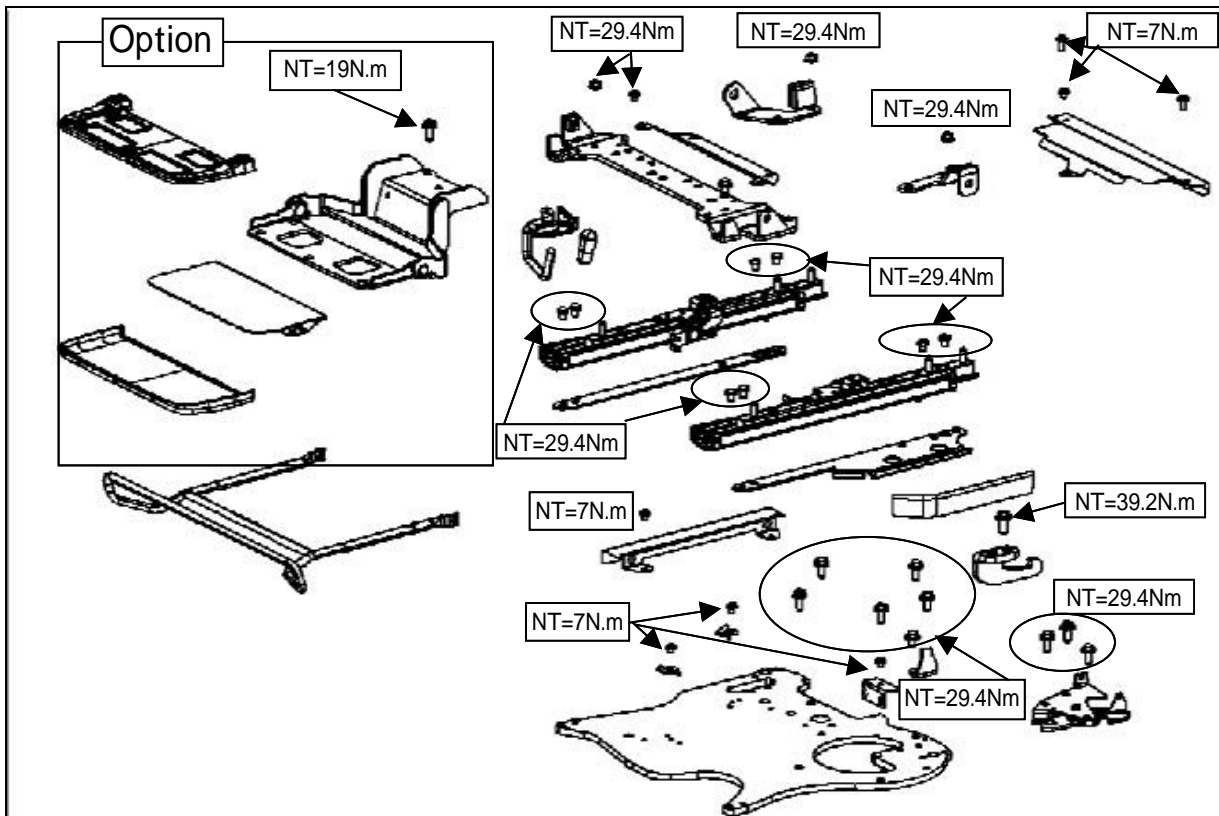
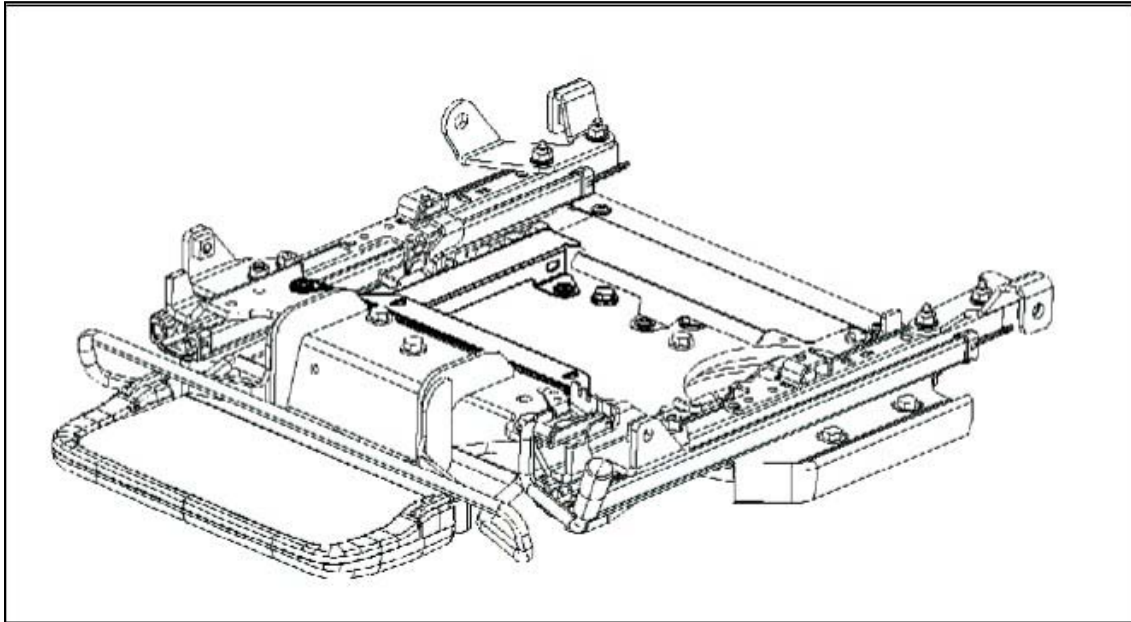
Printed: September .2006

Table of Specifications for Swivel Seat Vehicle

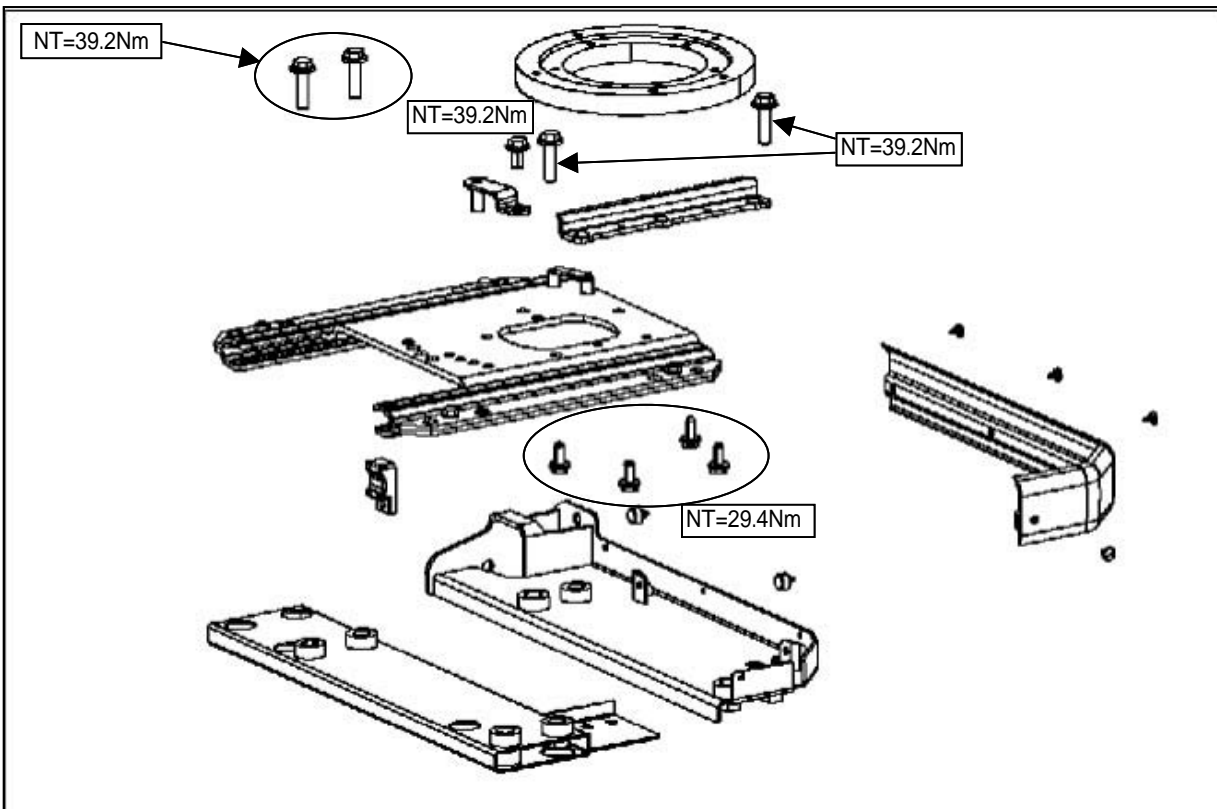
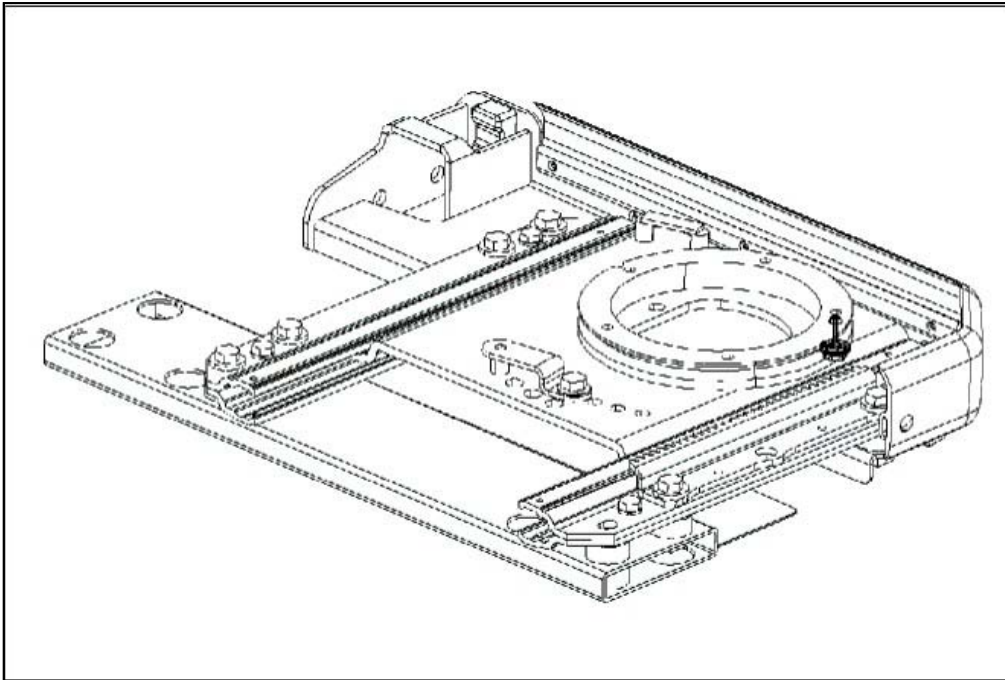


	Foot Space (mm)	Seat Swivel angle	Distance from rocker Panel to Seat front edge (mm)	Height from Seat top to door opening top (mm)	Lowest Seat height (mm)	Reclining angle
Corolla H/B 3DR	255	90 °	272	740	540	46 °
Corolla H/B 5DR	255	75 °	70	740	540	46 °
Corolla Verso	285	67.5 °	75	767	611	46 °
YARIS 3DR	265	90 °	70	755	565	46 °
YARIS 5DR	265	75 °	30	755	565	46 °

Seat Track Diagram



Slide Table Diagram





【Swivel Seat Removal】

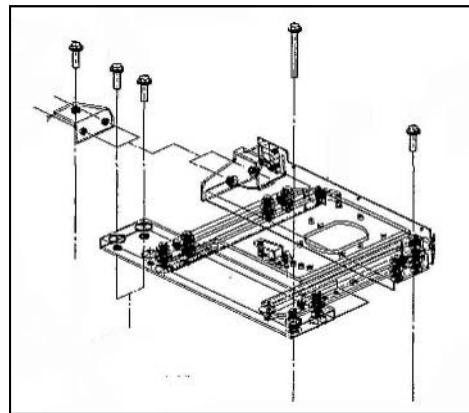
(Preparation)

Remove negative terminal (-) from battery.
Extend the Seat outside the vehicle.

Align the mark of seat before extending the seat.
(COROLLA H/B 3-door Model Only)



1 . Remove 5 of the Seat Anchorage bolts.



2 . Undo the Connectors.

1) Undo the connectors of Air Bag
and Seat Buckle Switch.



3 . Remove the Swivel Seat.

* After retracting the seat inside the vehicle



【 Seat Assembly Removal 】

1 . Remove the Reclining Lever.



2 . Remove the 3 screws to remove the right side Seat Cushion Shield.



3 . Remove the 3 screws to remove the left side Seat Cushion Shield.



4 . Remove 4 of the Seat Cushion Assembly Anchorage bolts.
(2 bolts from front side, 2 bolts from rear side)



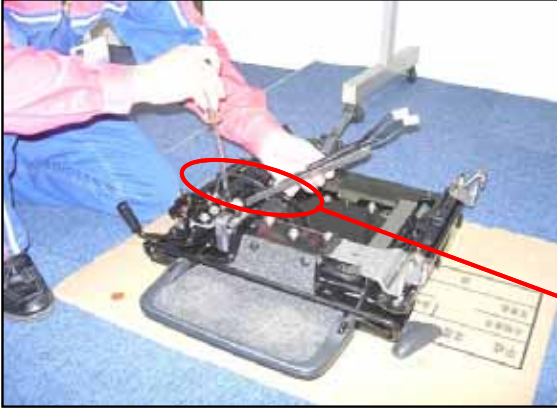
5 . Remove the Seat Buckle.



6 . Undo the wire and harness.
1) Undo the connector of Seat Sensor.
2) Undo the connector of Seat Buckle.



7 . Remove the Seat Cushion Assembly.



【 Swivel Seat Unit Disassembly 】

1 . Remove the wire harness
clamp bracket.

1) Remove 2 of the wire harness clamps.



2 . Remove the 3 bolts to remove
the Footrest.

(Footrest is option)



3 . Remove the Seat Slide Strap
for the rear.

Remove the Belt Webbing Plate.
(COROLLA H/B 3-door Model Only)



4 . Remove the 2 bolts to remove
the Seat Turn Lock Handle.



5 . Remove the Strap Holder Bracket.
(COROLLA H/B 3-door Model Only)

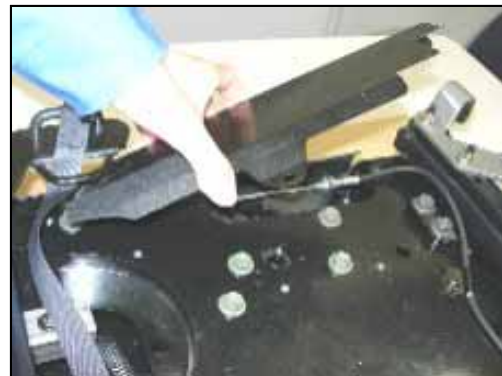


6 . Remove the 4 nuts to remove the Front
Seat Holder Bracket.



7 . Remove the 2 screws to remove the Wire
Harness Protector.

* Remove the wire harness clamp.



8 . Remove the 3 screws to remove the Turn
Table Protector.



9 . Remove the Seat Turn Cable.

1) Open the Caulking Part with pliers.



2) Loosen the double nut of Cable.
(Wire cable adjustment nut)



3) Remove the screws to remove 2 of the
clamps of the Seat Turn Cable.
(1 screw for each clamp)



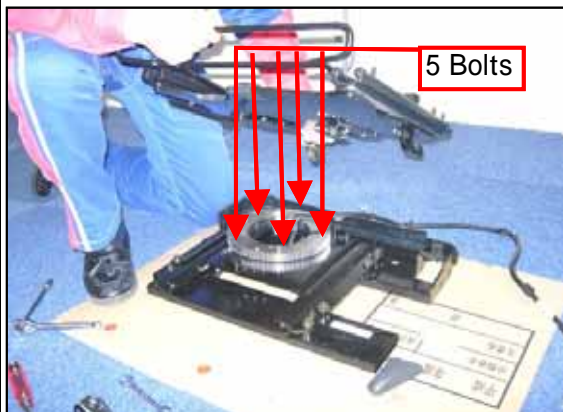
10 . Remove the right side
Rear Seat Holder Bracket.
(Photo shows COROLLA H/B 3Door Model)



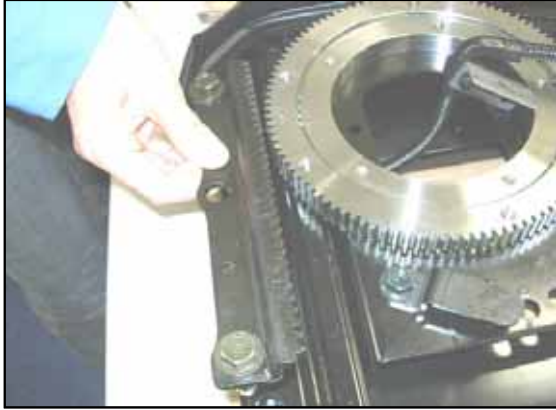
11 . Remove the left side Rear Seat Holder Bracket.



12 . Remove the screw to remove the wire harness bracket from the Slide Table.



13 . Remove the Seat Track.
* Remove 5 of the turn table bolts.



14. Remove the Slide Table.

- 1) Remove the 2 bolts to remove the Rock Gear.



- 2) Remove the 3 bolts to remove the Slide Table.



In Case of Emergency

If the Swivel Seat does not move

In case it is not possible to pull the swivel lever, retract the seat inside the vehicle as follows:

- If an occupant is seated in the Swivel Seat, move the occupant to a safe location before performing this operation.

Warning

Do not allow anyone to sit in the Swivel Seat until it is repaired.

Caution

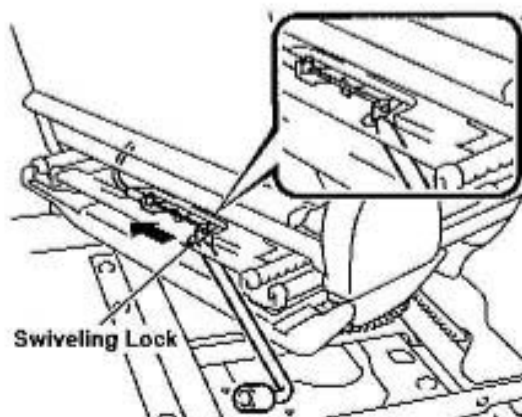
When retracting the seat, pay attention to the following:

- Do not place your hands or feet in the space provided for retracting the seat. This could cause your hands or feet to become caught in the moving parts of the seat, resulting in injury.
- After using a tool, make sure to store it in its designated location. It could cause an accident if it is left inside the vehicle.



- ① Take out the wheel nut wrench, which is provided in the vehicle.

- For the location where the wrench is stored, refer to the operation manual for the base vehicle.



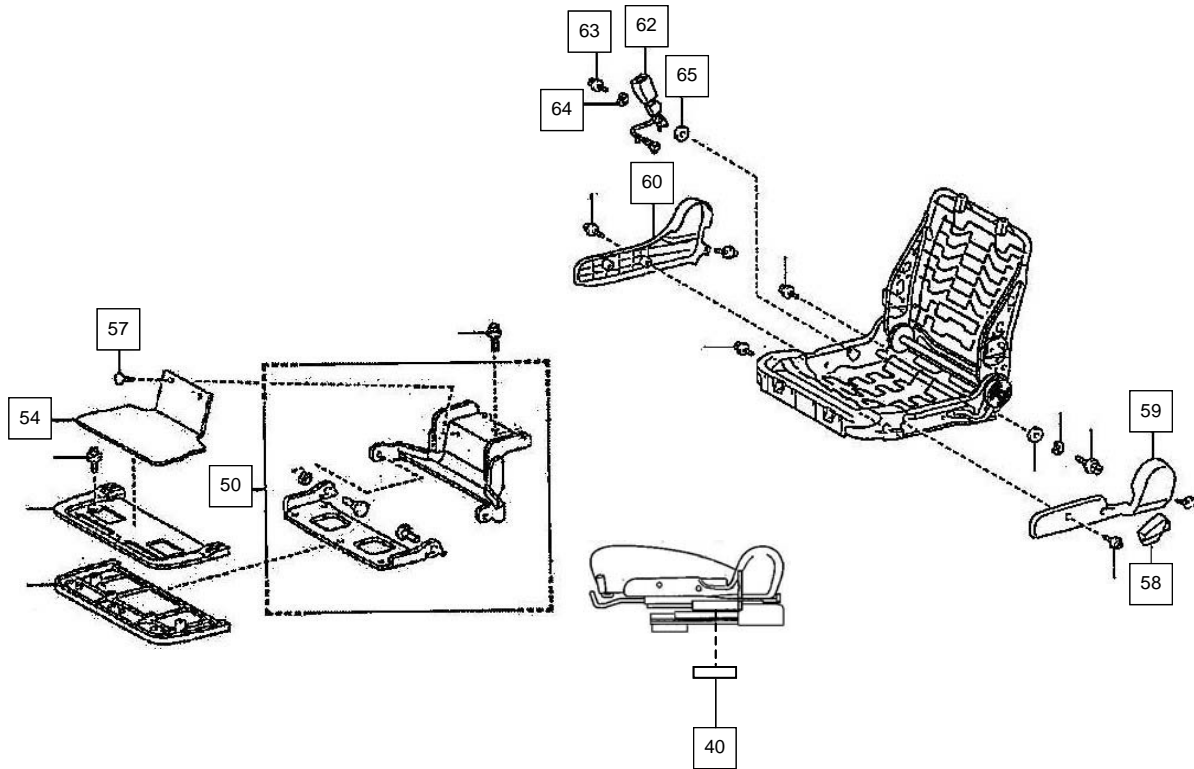
- ② Swiveling the seat while pressing on the swiveling lock with the wheel nut wrench.

- After the seat stops swiveling, pull out the wheel nut wrench.

Information

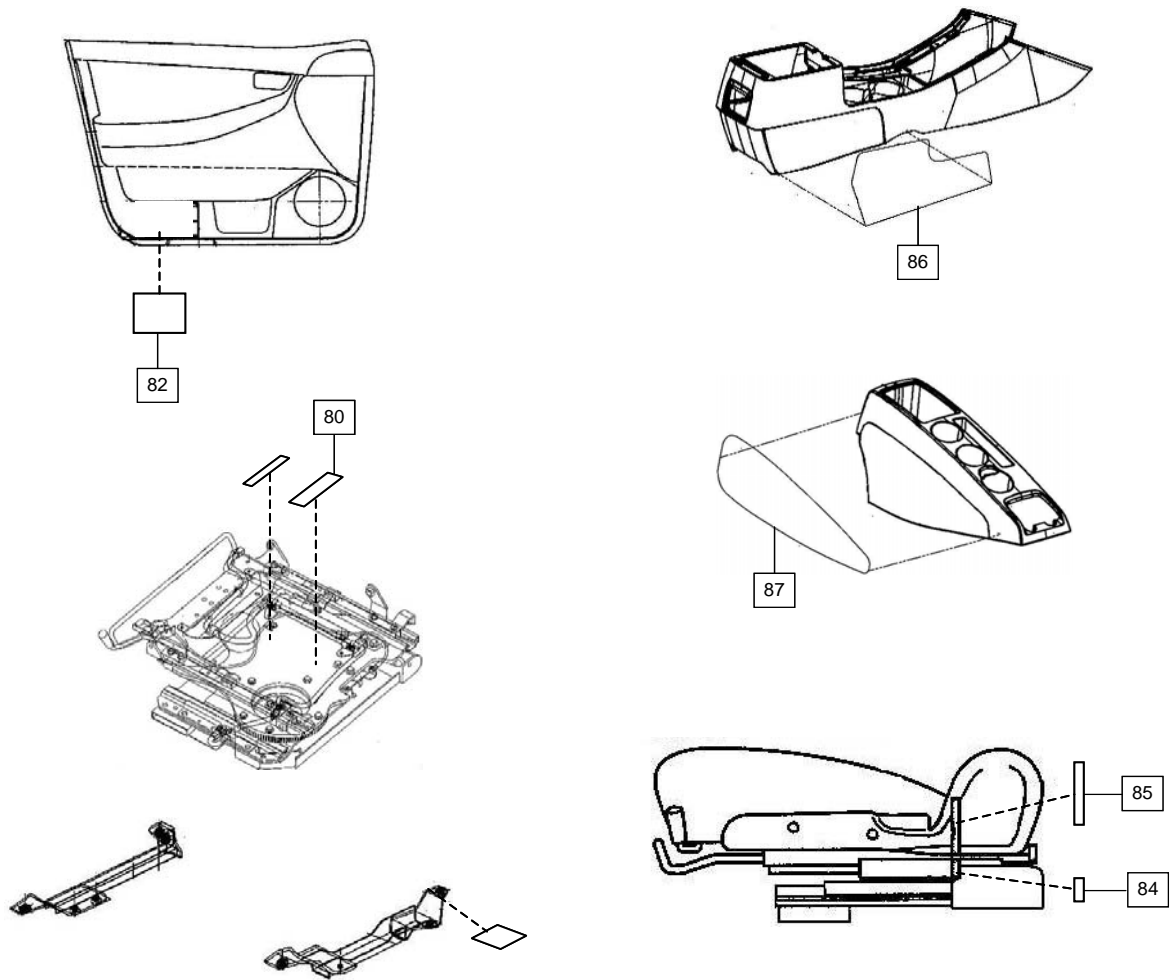
Swivel the seat while pressing on the swiveling lock with the wheel nut wrench. You will not be able to swivel the seat if you pull out the wheel nut wrench before the seat starts to swivel.

Assembly diagram for the cover and fitting (1)



No.	Part number	Part name	Quantity	No.	Part number	Part name	Quantity
40	C7149-D1090	PROTECTOR, TURN TABLE PANEL EDGE, LH	1				
50	C7210-D1080	FOOTREST ASSY, SEAT	1				
54	C7227-D1010	CARPET, FOOTREST STEP	1				
57	90467-08188	CLIP	2				
58	72526-58040	HANDLE, RECLINING ADJUSTER RELEASE, LH (H/B+YAR+RHD)	1				
	72525-58030	HANDLE, RECLINING ADJUSTER RELEASE, RH (H/B+SAU+YAR+LHD)	1				
59	71812-D1020	SHIELD, FR SEAT CUSHION, LH (H/B+YAR+RHD)	1				
	71811-D1050	SHIELD, FR SEAT CUSHION, RH (H/B+SAU+YAR+LHD)	1				
60	71862-D1020	SHIELD, FR SEAT CUSHION, INN LH (H/B+SAU+YAR+LHD)	1				
	71861-D1020	SHIELD, FR SEAT CUSHION, INN RH (H/B+YAR+RHD)	1				
62	73230-D1210	BELT ASSY, FR SEAT, INNER (H/B)	1				
	73230-D1060	BELT ASSY, FR SEAT, INNER (SAU)	1				
	73230-D1250	BELT ASSY, FR SEAT, INNER (YAR)	1				
63	C9910-11001	BOLT (H/B+SAU+YAR)	1				
64	90206-17005	WASHER, WAVE	1				
65	94612-11200	WASHER, PLATE	1				

Assembly diagram for the label



No.	Part number	Part name	Quantity	No.	Part number	Part name	Quantity
80	74552-D1050	LABEL, SAFETY CAUTION	1				
	74552-D1060	LABEL, SAFETY CAUTION (FRN)	1				
82	74553-D1020	LABEL, FR SEAT CAUTION (5DR+VER+SAU)	1				
	74553-D1030	LABEL, FR SEAT CAUTION (3DR)	1				
	74553-D1040	LABEL, FR SEAT CAUTION (5DR+FRN)	1				
	74553-D1050	LABEL, FR SEAT CAUTION (3DR+FRN)	1				
84	C6241-D1010	PLATE, GENERAL MARK, NO.1 (3DR)	1				
85	C6241-D1020	PLATE, GENERAL MARK, NO.1 (3DR)	1				
86	58551-D1050	CARPET, FR FLOOR SIDE, LH (H/B+RHD)	1				
	58561-D1380	CARPET, FR FLOOR SIDE, RH (H/B+SAU+LHD)	1				
87	58551-D1060	CARPET, FR FLOOR SIDE, RH (VER)	1				