

ETA

ELECTRONIC TRAFFIC AVOIDANCE

INSTALLATION INSTRUCTIONS for

Corolla

PART NUMBER

MAIN KIT ETA	PZ445-E9331-00
RDS-ANTENNA WIRE (*)	PZ445-T9281-01
UNIVERSAL MASKING (*)	PZ438-90331-00
A-PILLAR CLIPS (*)	75597-05010 / 90467-10161

(*) Only for vehicles without prewired ETA-antenna. Verify whether the vehicle has a prewired ETA by checking the presence of the ETA-antenna in the proximity of the rear view mirror.



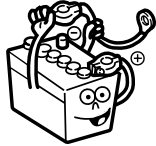
FÜR-FOR-POUR ****E12*R**

RHD

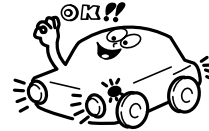
PRECAUTIONS

PLEASE READ THOROUGHLY THESE PRECAUTIONS BEFORE THE INSTALLATION

- Be sure to disconnect the negative (-) lead from the battery terminals.



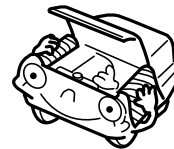
- Confirm that lamps, horn, wiper and other car accessories operate normally.



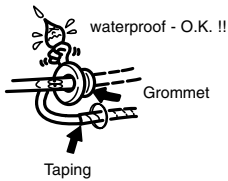
- Do not pinch the rear wiring or harness in the tightened part.



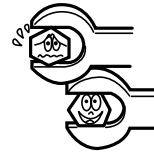
- Protect your car using wing covers, seat and so on.



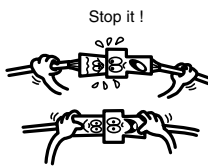
- When passing the wires through the bulkhead or other panels, use a grommet to ensure waterproofing.
- Protect the wiring using tape when it is passed through a hole.



- Use the correct tool when tightening bolts or nuts.



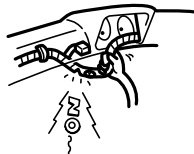
- When disconnecting the connectors, be sure to grip the connector body. Do not tug on the wiring.



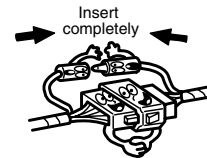
- Before drilling a hole, check that the rear of the mounting wall is clear.



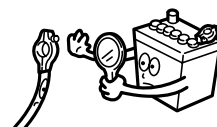
- Do not forcibly pull any car wiring harness. Rough tugging may result in opened connections, or a broken wire or harness.



- Be sure to firmly tighten connectors and terminals.



- Before connecting the power wiring to the battery, check the wiring connections, harness, etc. to see that they are properly secured.




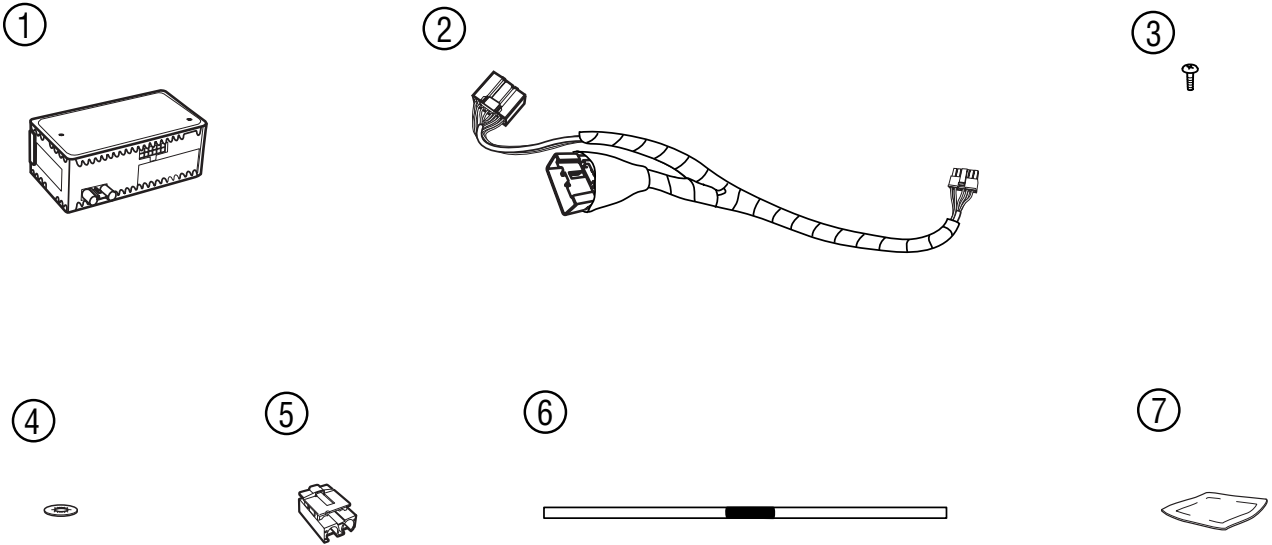
- Check body and trim near area of installation to be certain no dirt or scratches resulted from the installation.

TABLE OF CONTENTS

Precautions.....	2
Main Kit ETA	4
Universal Masking	5
RDS-Antenna Wire.....	5
Installation Overview.....	6
Vehicle Disassembly	7
Installation of the RDS-Antenna Wire	11
Installation of the RDS-Antenna.....	14
Installation of the RDS-Tuner strip	16

(For installation of navigation, please refer to the navigation installation manual 000 160-0)

MAIN KIT ETA **PZ445-E9331-00** 



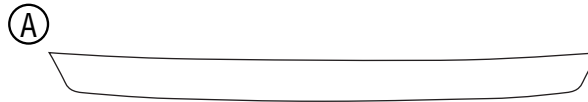
No.	Part Name	Part No.	Qty
①	RDS-TUNER	PZ445-E9331-02	1
②	SUBWIRE HARNESS	PZ445-E9330-03	1
③	TAPPING SCREW	_____	1
④	TOOTHED WASHER	_____	1
⑤	FAKRA CONNECTOR	PZ445-E9330-01	1
⑥	ANTENNA STRIP	PZ445-E9280-01	1
⑦	CLEANING TISSUE	_____	1

UNIVERSAL MASKING

PZ438-90331-00



For vehicles without prewired ETA-antenna

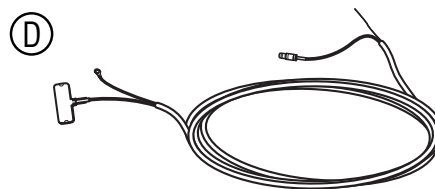


RDS-ANTENNA WIRE

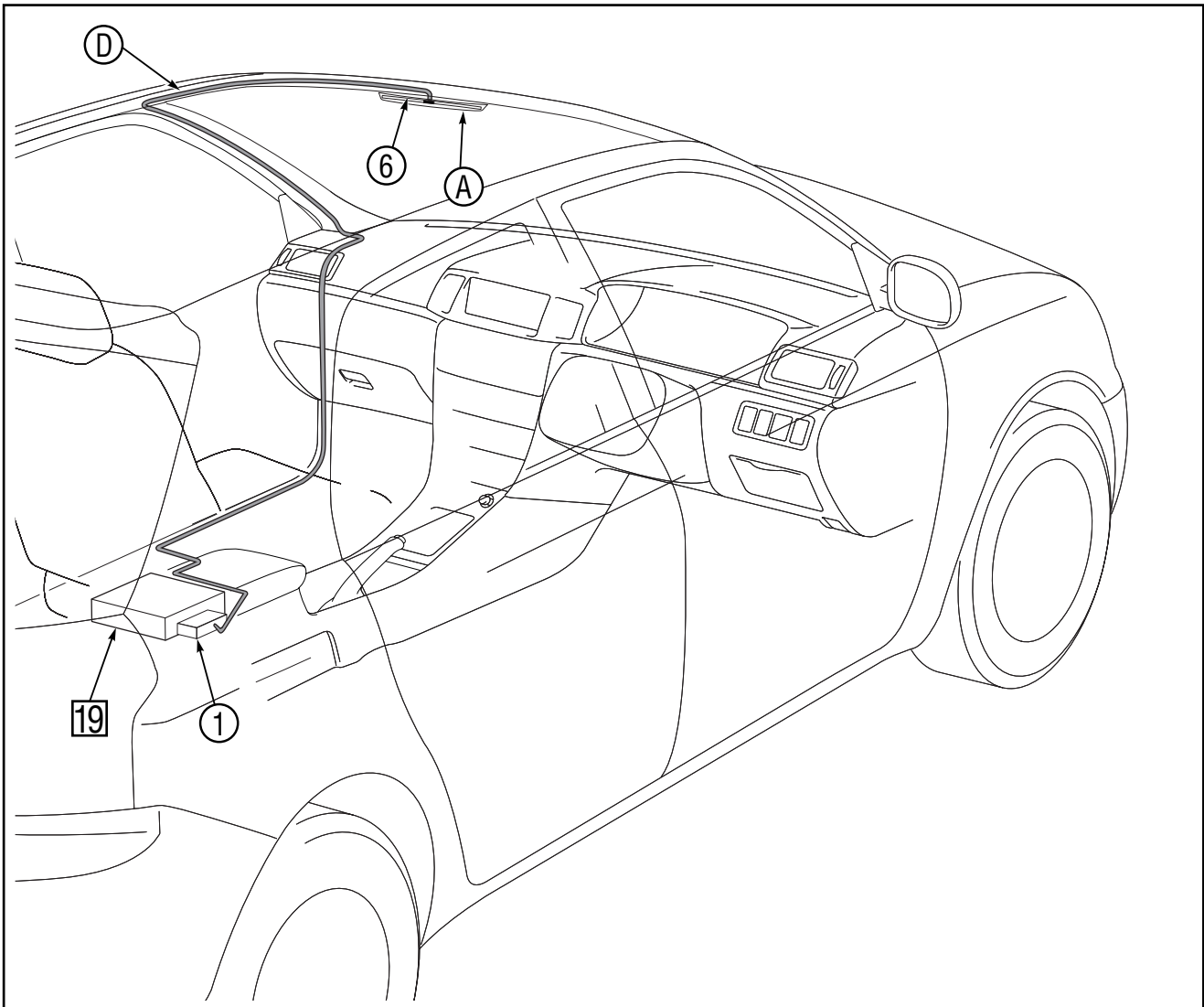
PZ445-T9281-01




For vehicles without prewired ETA-antenna



INSTALLATION OVERVIEW



Ⓓ	RDS-ANTENNA + WIRE
①	RDS-TUNER
⑥	ANTENNA STRIP
19	NAVIGATION ECU
Ⓐ	MASKING

VEHICLE DISASSEMBLY 

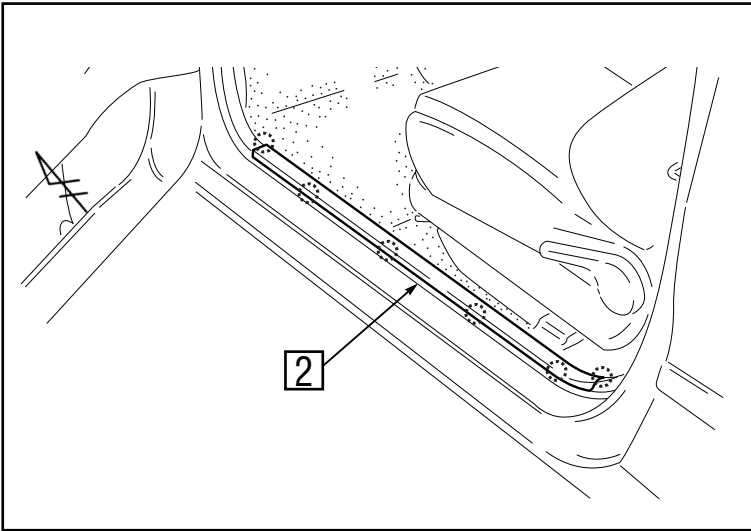


Fig. 1

1. Remove the front door scuff plate 2 (L).
○: Clip (6x)

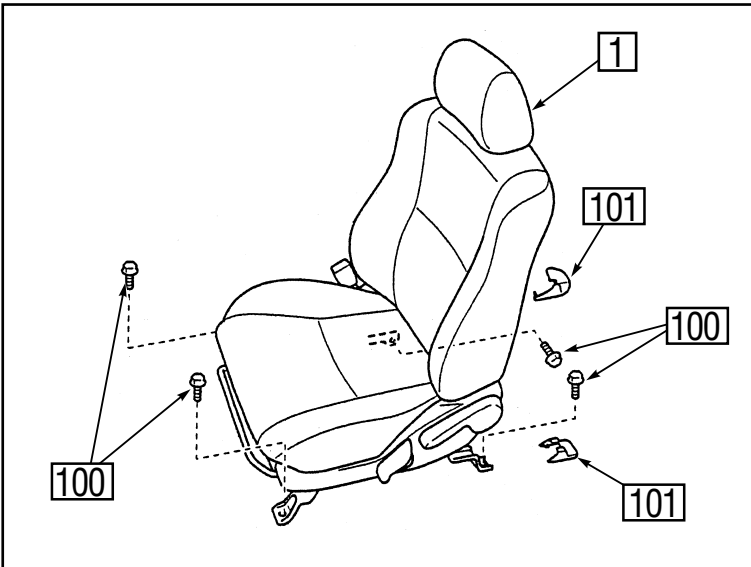


Fig. 2

2. Remove the passenger seat 1.
100: Bolt (4x)
101: Cover (2x)

CAUTION

Carefully disconnect the airbag connector.

CAUTION

Fasten the bolt with specified torque wrench (37 N.m) when reassembling.

Fig. 3-10: for vehicles without prewired ETA-antenna

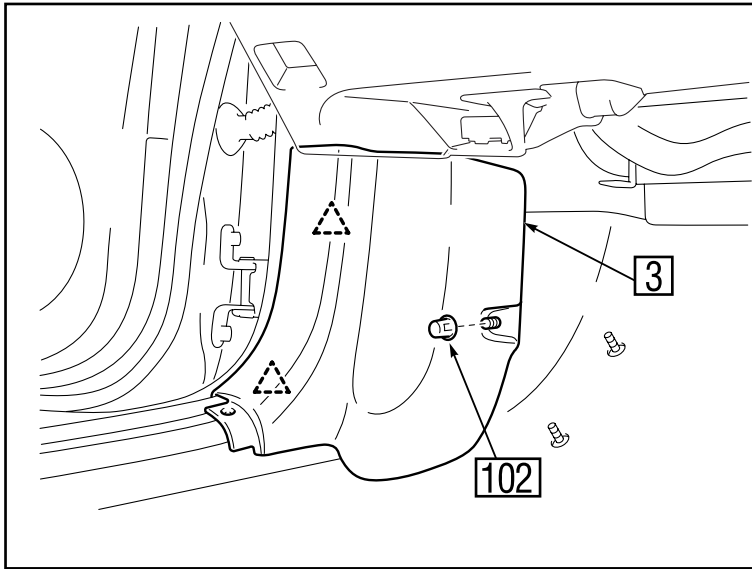


Fig. 3

3. Remove the kick panel [3] (L).
 [102]: Nut (1x)
 △: Hook (2x)

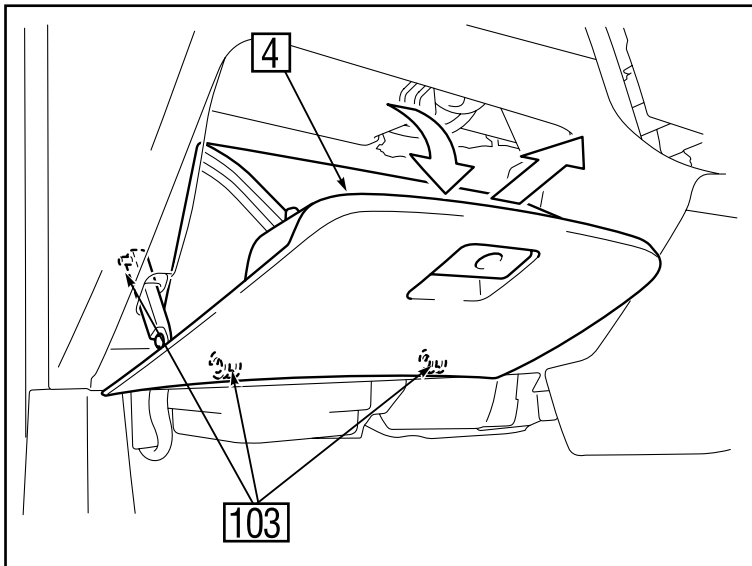


Fig. 4

4. Remove the glove box [4].
 [103]: Hook (3x)

NOTE

When reassembling, first connect the glove box stopper.

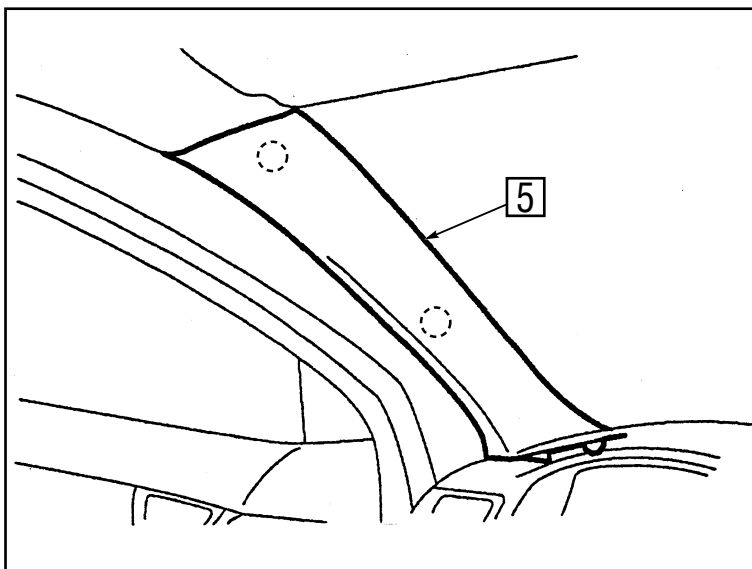


Fig. 5

5. Remove the front pillar garnish [5] (L).
 ○: Clip (2x)

CAUTION

Do not reuse the removed clips. Order new clips (part nrs. 75597-05010 and 90467-10161).

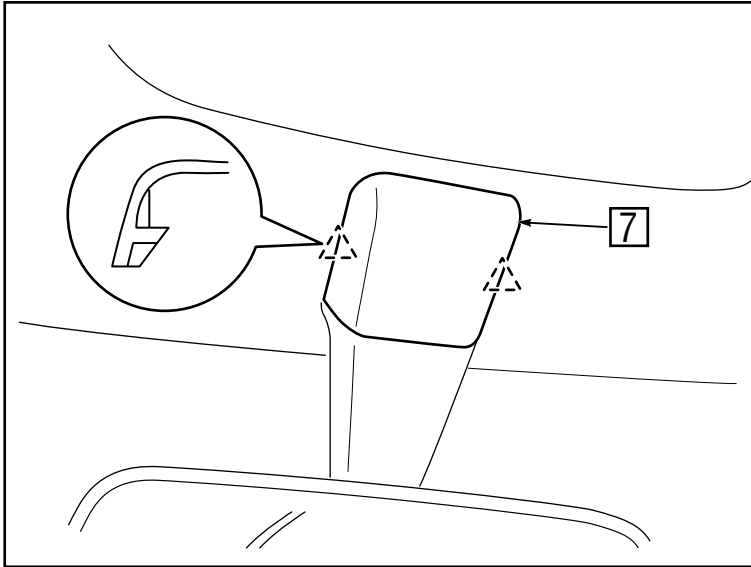


Fig. 6

FOR WAGON MODELS

6. Remove the inner rear view mirror cover [7].
 △: Hook (2x)

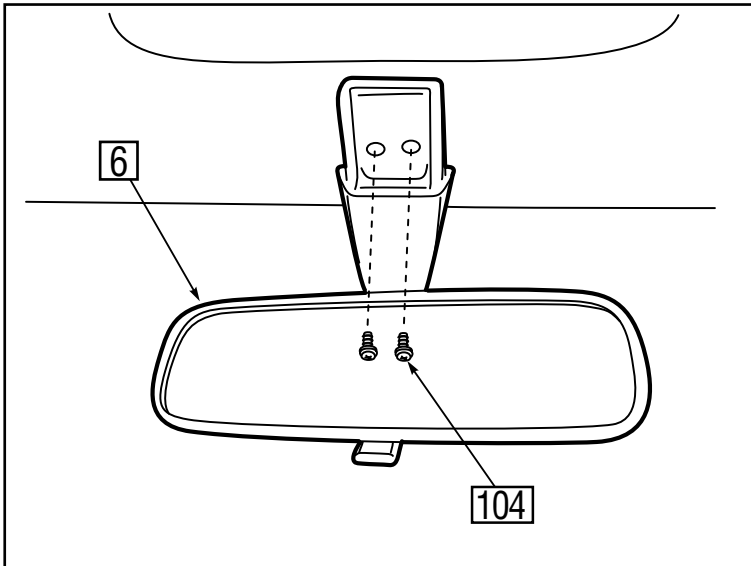


Fig. 7

FOR WAGON MODELS

7. Remove the screws [104] and the inner rear view mirror assembly [6].
 [104]: Screw (2x)

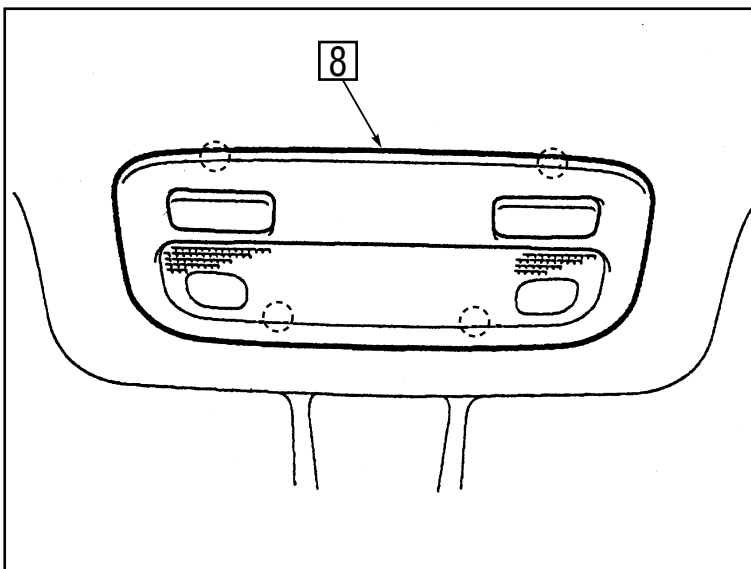


Fig. 8

ALL MODELS

8. Remove the map lamp assembly [8], and disconnect the connector.
 ○: Clip (4x)

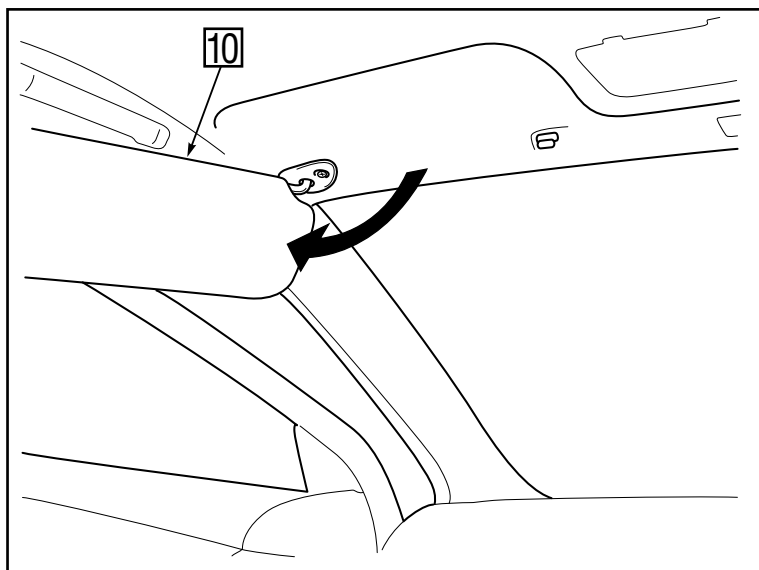


Fig. 9

9. Pull the sun visor **10** to the LH side of the vehicle.

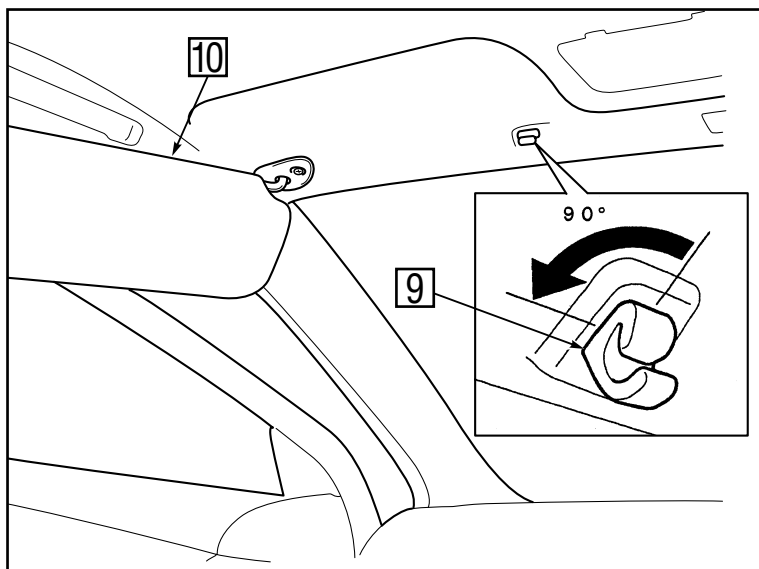


Fig. 10

10. Remove the holder **9** of the sun visor **10** by turning it counterclockwise.

INSTALLATION OF THE RDS-ANTENNA WIRE



For vehicles without prewired ETA-antenna

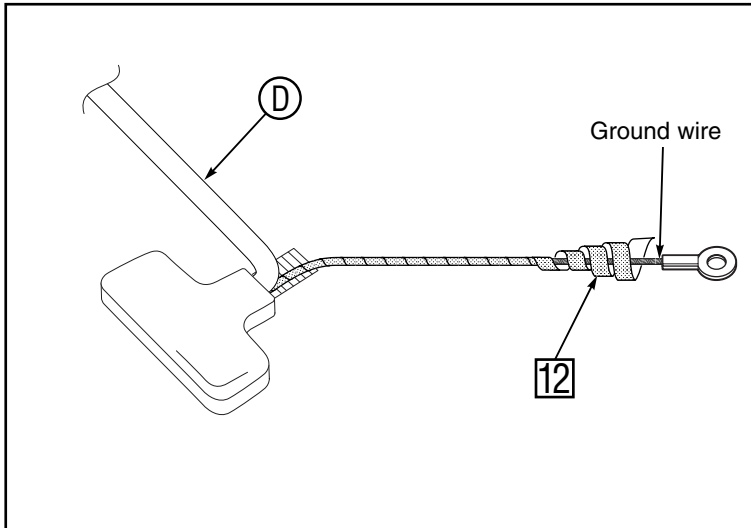


Fig. 11

1. If not yet insulated, do so with the complete ground wire of the RDS-antenna wire ① by wrapping it into tape ⑫.

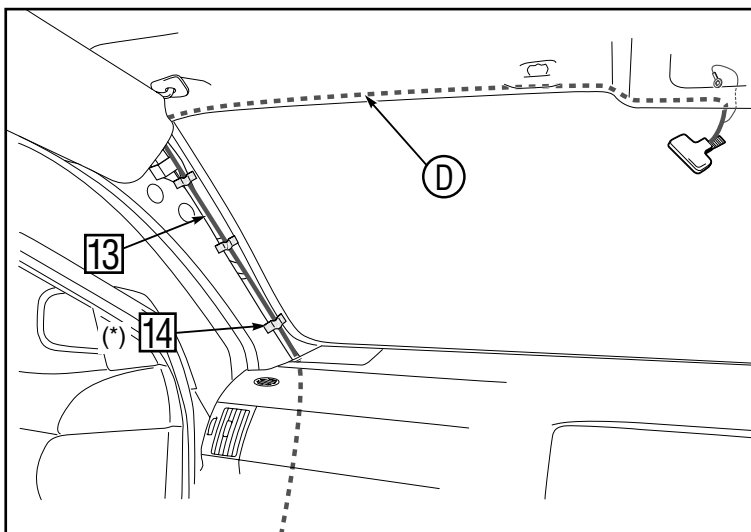


Fig. 12

2.
 - a) Tuck the RDS-antenna wire ① through the space between the roof headliner and windshield.
 - b) Route and attach the RDS-antenna wire ① along the vehicle wire harness ⑬ using tapes ⑭ (3x)(*).
- (*) Included in the navigation kit.

CAUTION

Be sure to attach the RDS-antenna wire as far as possible against the border of the roof headliner.

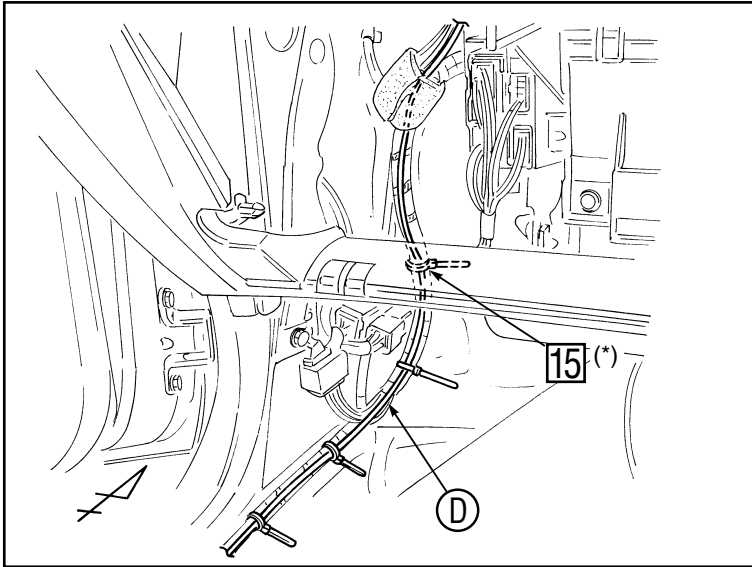


Fig. 13

3. Route and attach the RDS-antenna wire ① down the instrument panel into the left kick panel section of the vehicle using wire ties 15.

15: Wire tie (4x) (*)

(*) Included in the navigation kit.

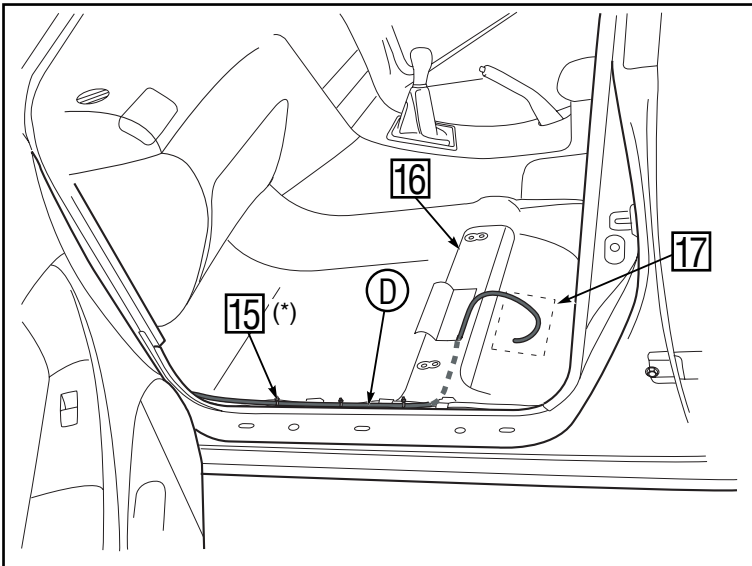


Fig. 14

4.
 - a) Route the antenna ① wire along the front scuff plate area under the carpet (along the cross member 16) to the navigation-ECU location 17.

- b) Attach the antenna ① wire to the vehicle wire harness using wire ties 15.

15: Wire tie (3x) (*)

(*) Included in the navigation kit.

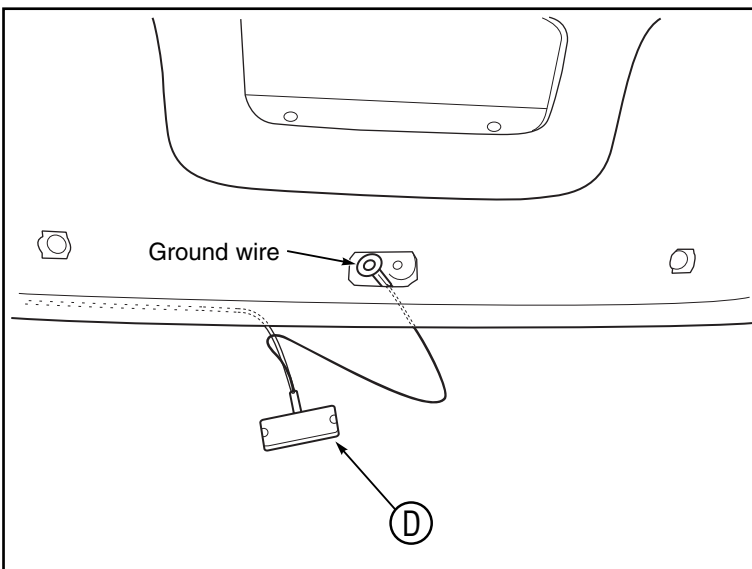


Fig. 15

GROUNDING THE ANTENNA WIRE

FOR WAGON MODELS

5.
 - a) Route the ground wire of the antenna ① as shown.

- b) Attach the ground wire using a screw 104 when reinstalling the inner rear view mirror assembly 6.

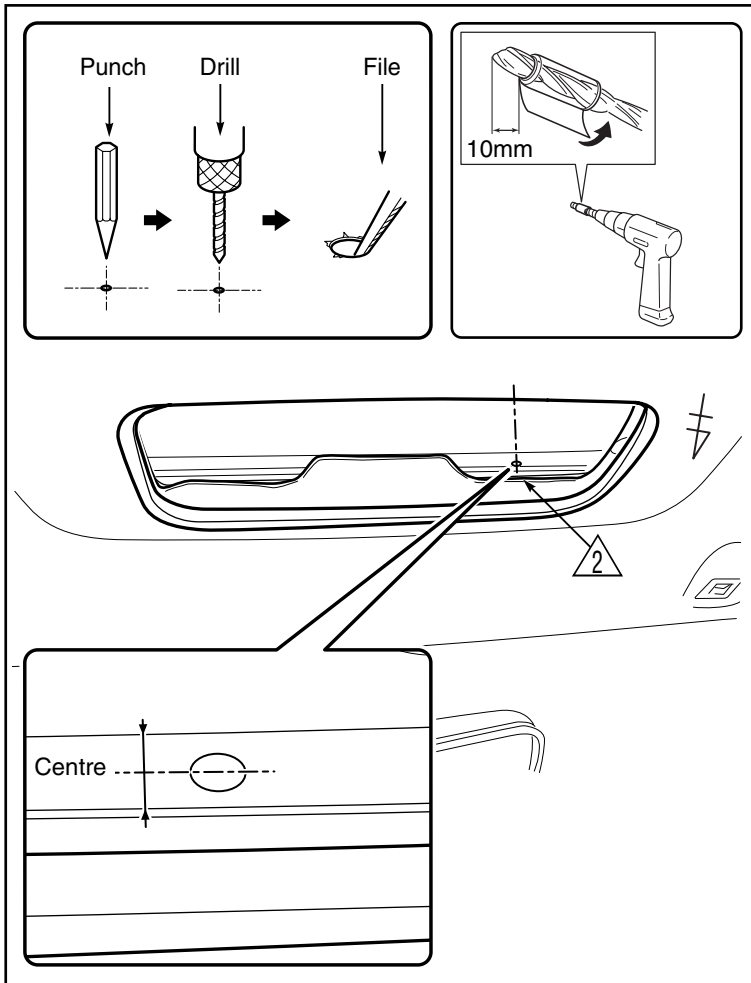


Fig. 16

FOR HATCH BACK MODELS

6. Drill a hole $\triangle 2$ (\varnothing 3mm) at the position shown.

CAUTION

In order to prevent the drill from making a deeper hole than is necessary, wind tape around the drill bit while leaving enough of the tip of the bit uncovered.

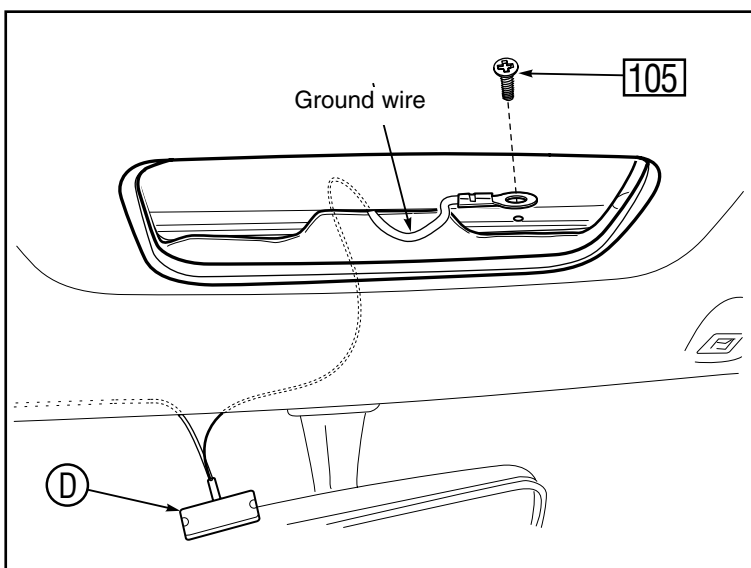


Fig. 17

7. Route and attach the ground wire using a tapping screw $\boxed{105}$ as shown.



INSTALLATION OF THE RDS-ANTENNA STRIP

For vehicles without prewired ETA-antenna

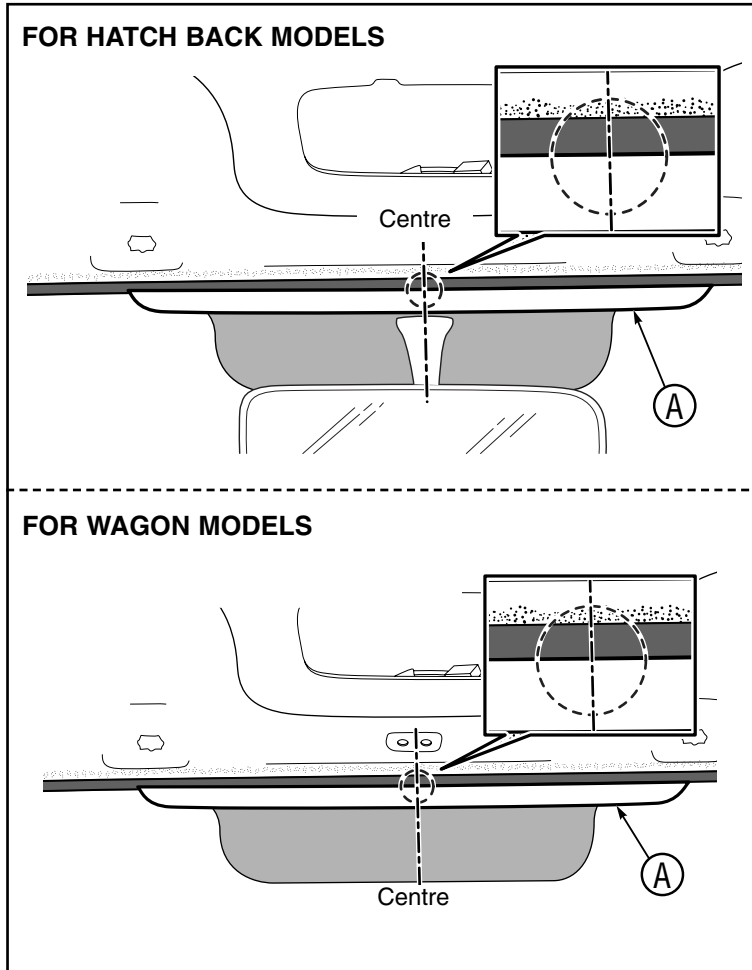


Fig. 18

1.
 - a) Thoroughly clean the mounting surface of the front window to which the masking (A) is to be affixed.
 - b) Peel off the adhesive release paper of the back of the masking (A).
 - c) Fit the masking (A) horizontally making sure that the centre of the masking aligns with the black area of the front window.

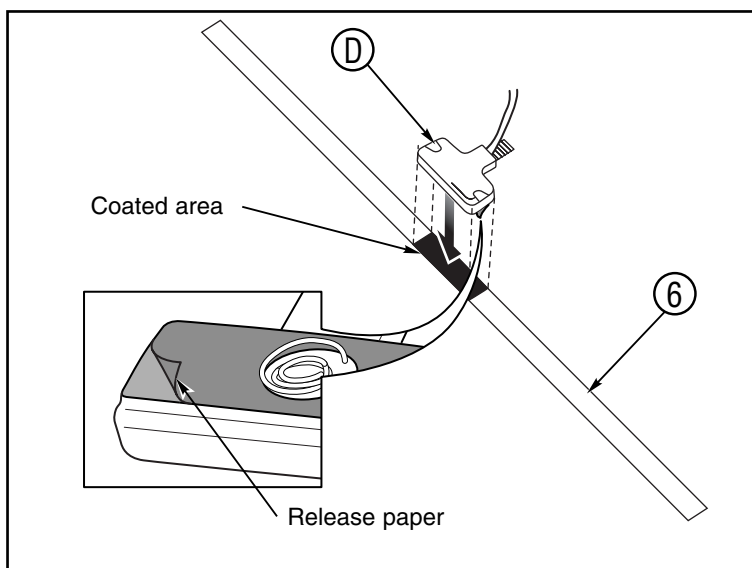


Fig. 19

2. Peel off the release paper at the back of the RDS-antenna (D) and attach it to the coated area of the antenna strip (6).

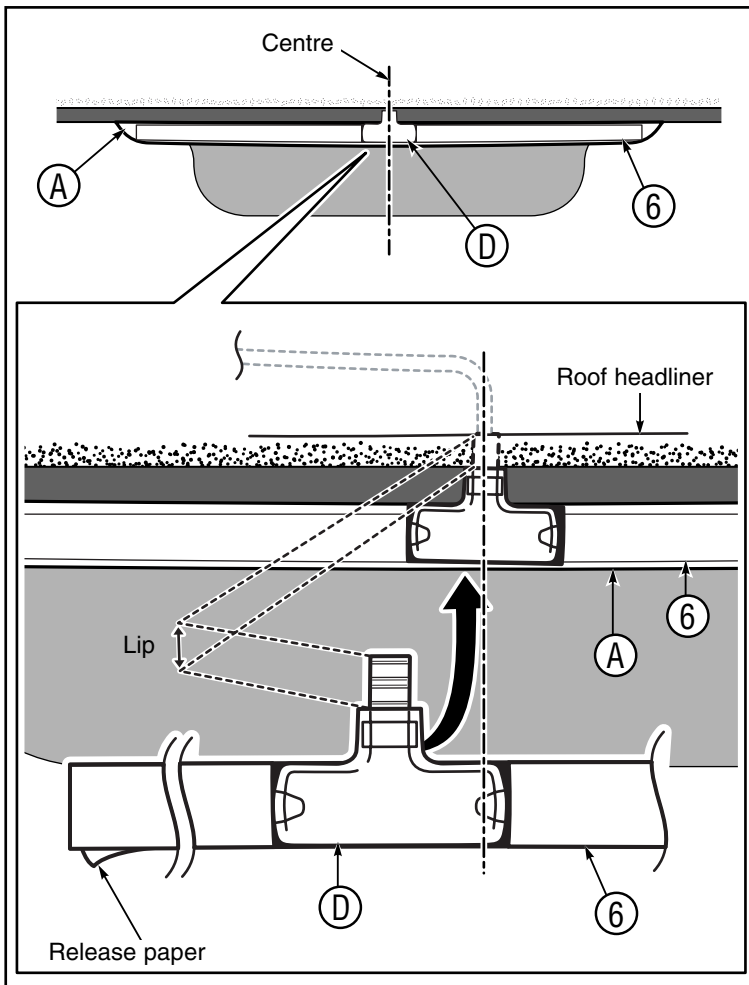


Fig. 20

3.
 - a) Remove the release paper from the antenna strip ⑥.
 - b) Attach the antenna strip ⑥ to the masking ①. Ensure that the antenna strip ⑥ is attached horizontally.

CAUTION

Be sure the top side of the lip is pushed against the body of the roof.

For vehicles with prewired ETA-antenna

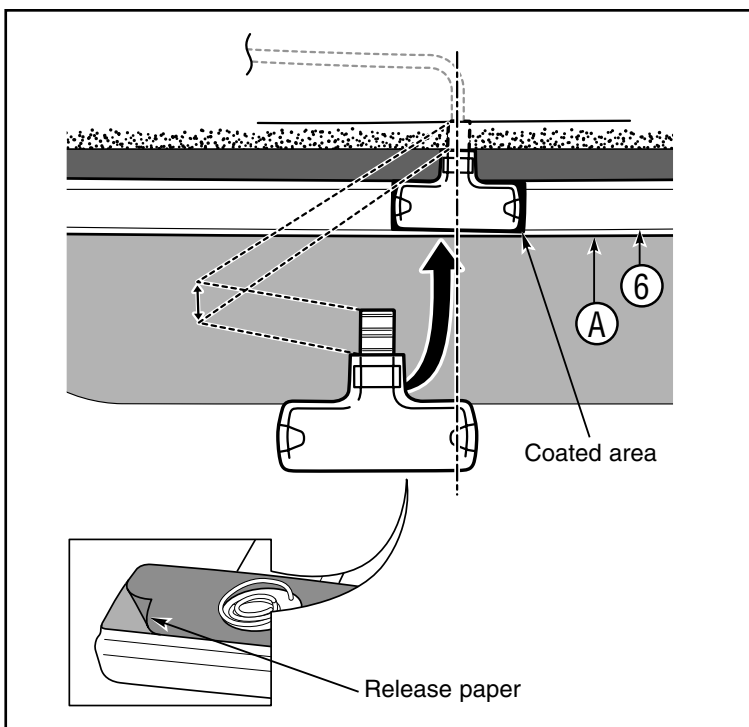


Fig. 21

4.
 - a) Remove the white release paper from the antenna strip ⑥.
 - b) Peel off the release paper at the back of the RDS-antenna ①.
 - c) Attach the RDS-antenna ① to the coated area of the antenna strip ⑥.

EINBAU DES RDS-TUNERS INSTALLATION OF THE RDS-TUNER INSTALLATION DU TUNER RDS



FOR INSTALLATION OF NAVIGATION, PLEASE REFER TO THE NAVIGATION INSTALLATION MANUAL 000 160-0.

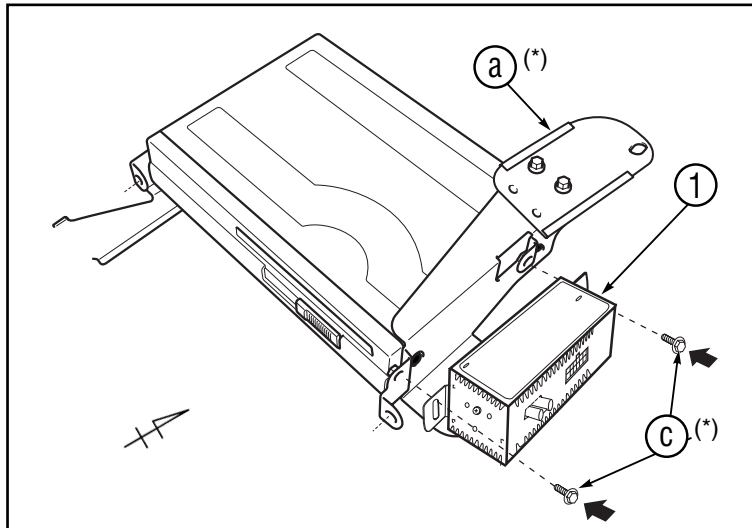


Fig. 22

1. Fit the RDS-tuner ① to the RH side bracket ①(*) using bolts ③(*).
③: Bolt (M5x8) (2x) (*)
(*) Included in the navigation kit.

CAUTION

Make sure that the RDS-tuner ① is installed at the lowest position

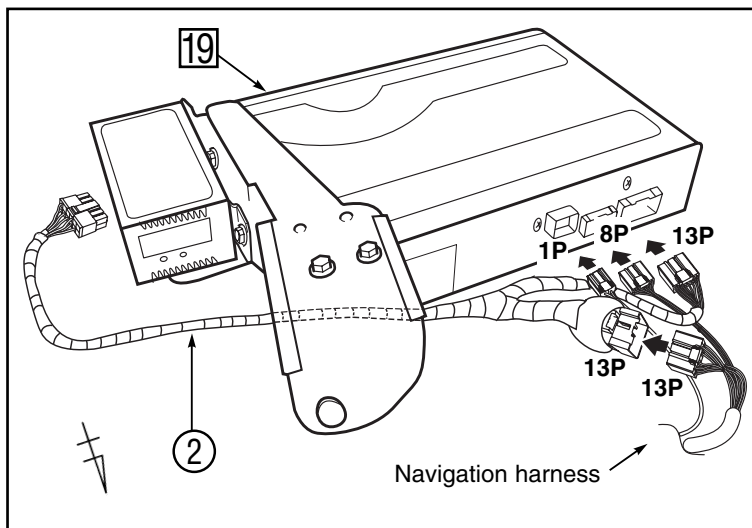


Fig. 23

2.
 - a) Connect the 1P and 8P connector of the navigation harness to the navigation ECU ⑩.
 - b) Connect the navigation 13P female connector to the RDS-subwire harness ② 13P male connector.
 - c) Connect the RDS-subwire harness ② 13P female connector to the navigation ECU ⑩.

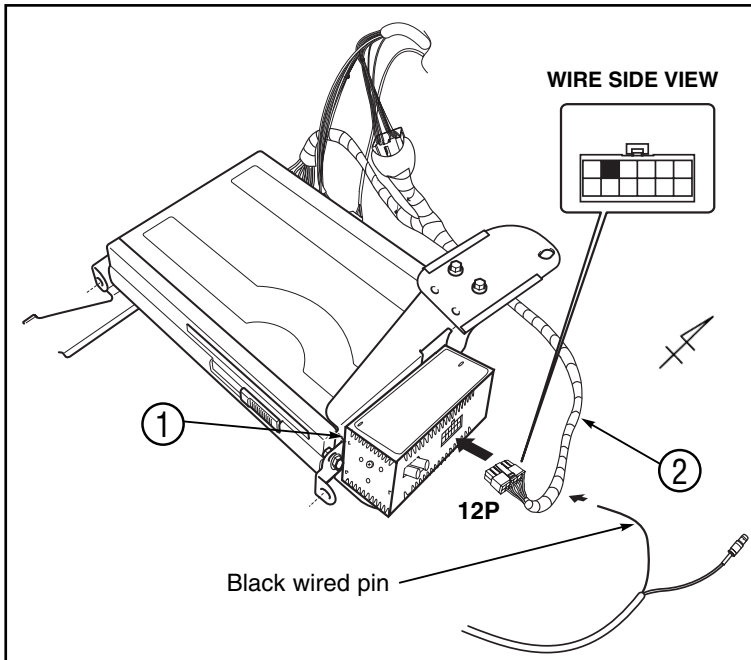


Fig. 24

3.
 - a) Connect the RDS-antenna black wired pin to the RDS-subwire harness ② 12P connector to the second position from the left on the top row (wires face you and tab is on top).
 - b) Connect the RDS-subwire harness ② 12P connector to the RDS-tuner ①.

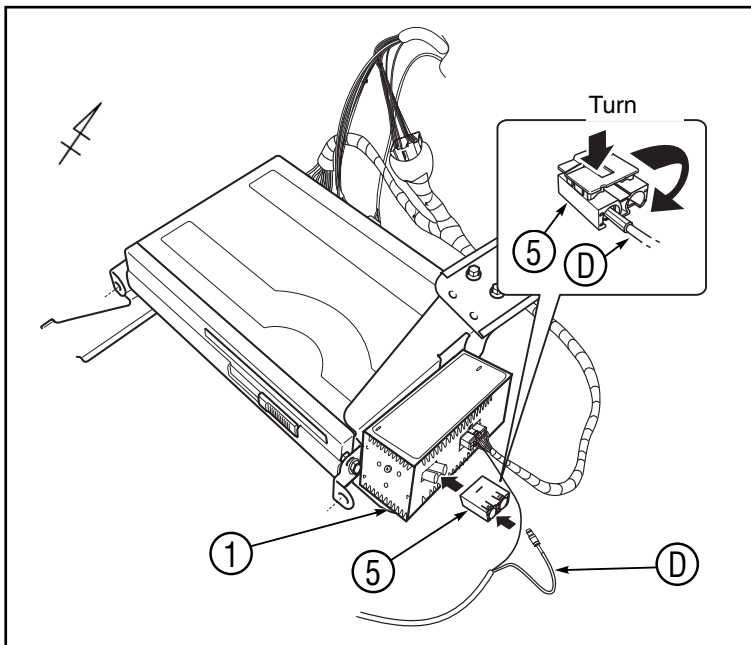


Fig. 25

4.
 - a) Connect the RDS-antenna ④ connector to the fakra connector ⑤ as shown.
 - b) Insert the fakra connector ⑤ with antenna ④ to the RDS-tuner ①.

CAUTION

Be careful not to close the fakra connector ⑤ before the RDS-antenna connector ④ is inserted till it clicks.

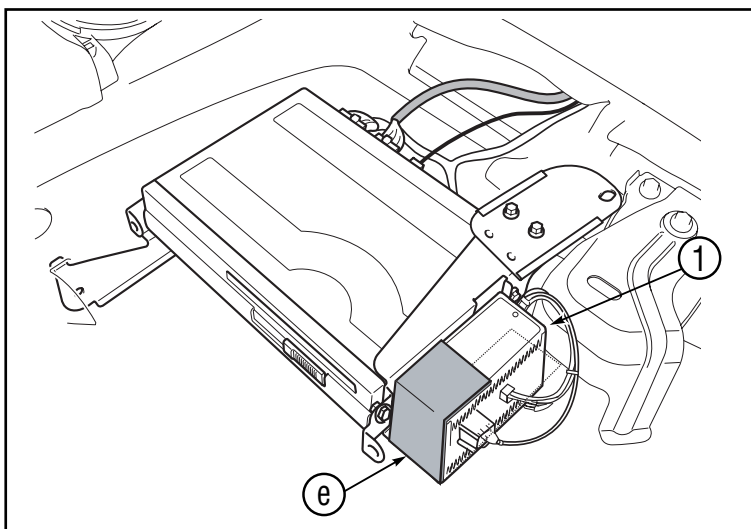


Fig. 26

5. Use foam tape ⑥ to mask the RDS-tuner ① from view.

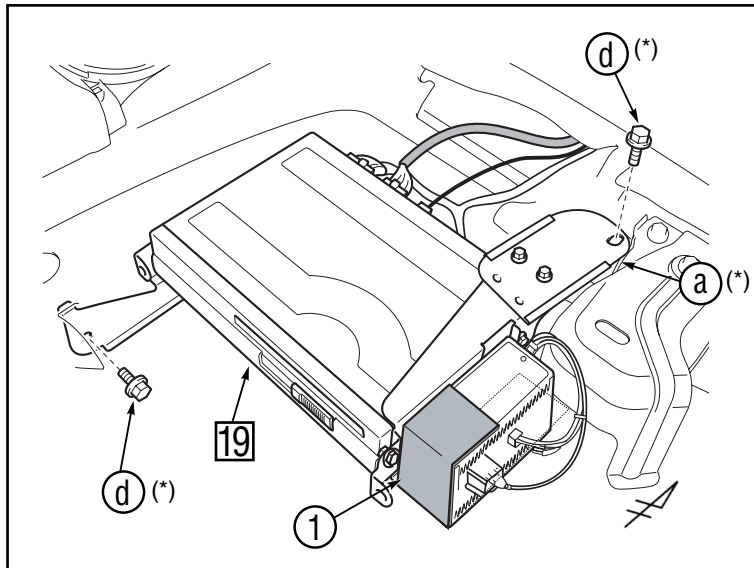


Fig. 27

EXCEPT FOR TMC MADE MODELS

6. Fold the carpet and fit the navigation ECU 19 with RDS-tuner 1 and bracket a(*) on the floor as shown using bolts d(*).

d: Bolt (M8x16) (2x) (*)

(*) Included in the navigation kit.

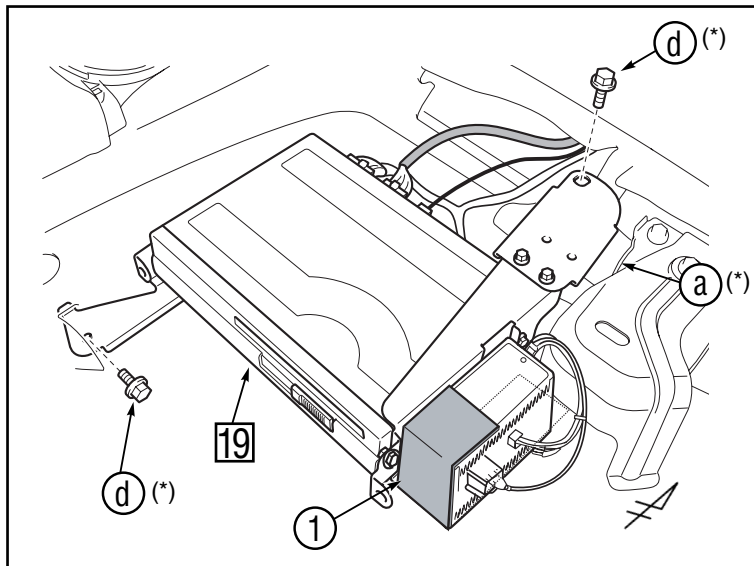


Fig. 28

FOR TMC MADE MODELS

6. Fold the carpet and fit the navigation ECU 19 with RDS-tuner 1 and bracket a(*) on the floor as shown using bolts d(*).

d: Bolt (M8x16) (2x) (*)

(*) Included in the navigation kit.

**ENSURE THAT ALL REMOVED CONNECTORS ARE PUT BACK CORRECTLY.
REFIT THE TRIM AND REMOVED PARTS.**

TOYOTA MOTOR CORPORATION