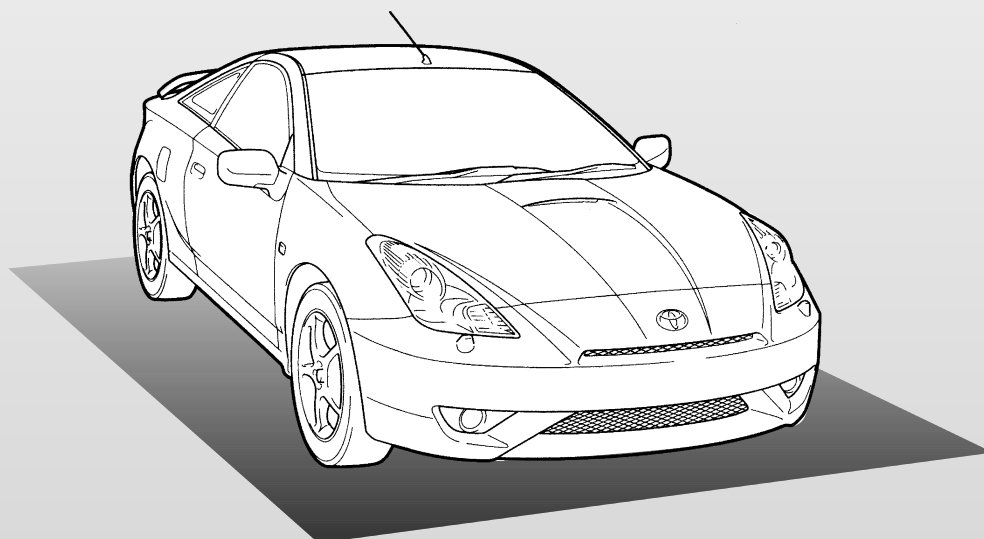




# TNS 200/300

**TOYOTA NAVIGATION SYSTEM**



## **Celica (RHD) (MY03)**

**INSTALLATION INSTRUCTIONS**

FOR **\*\*T23\*R (MY03)**

**PART NUMBER**

NAVIGATION KIT

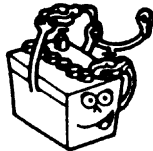
08545-00802 / 08545-00806

# PRECAUTIONS

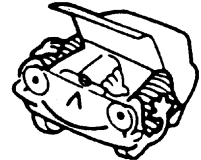


## PLEASE READ THOROUGHLY THESE PRECAUTIONS BEFORE THE INSTALLATION

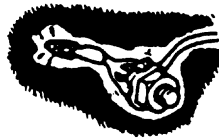
- Be sure to disconnect the negative (-) lead from the battery terminals.



- Protect your car with fender covers, seat and so on.



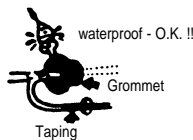
- Do not pinch the rear wiring or harness in the tightened part.



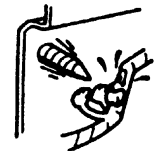
- Use the correct tool when tightening bolts or nuts.



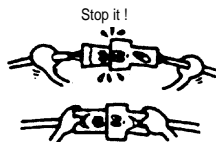
- When passing the wires through the dashboard or other panels, use a grommet to ensure waterproofing.
- Protect the wiring with tape when it is passed through a hole.



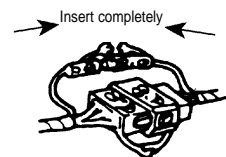
- Before drilling a hole, check that the rear of the mounting wall is clear.



- When disconnecting the connectors, be sure to grip the connector body. Do not tug on the wiring.



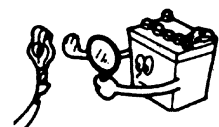
- Be sure to firmly tighten connectors and terminals.



- Do not forcibly pull any car wiring harness. Rough tugging may result in opened connections, or a broken wire or harness.



- Before connecting the power wiring to the battery, check the wiring connections, harness, etc. to see that they are properly secured.



- Confirm that lamps, horn, wiper and other car accessories operate normally.



- Check body and trim near area of installation to be certain no dirt or scratches resulted from the installation.

# TABLE OF CONTENTS



Precautions .....	2
Application Chart .....	4
Component Parts .....	5
Required Parts .....	6
Wiring Connection .....	7
Installation Overview .....	8
Vehicle Disassembly .....	9
Installation of the GPS Antenna .....	13
Wire Harness Installation .....	16
Installation of the Computer .....	21
Installation of Navigation Disc .....	23
Post-Installation Inspection .....	24
Reassembling .....	24

**AUDIO & NAVIGATION APPLICATION CHART**  
 TMME-CA Division Dev. Dept. II - August 26th, 2002

**Celica (\*\*T23\*) MY03**

**(LHD + RHD)**

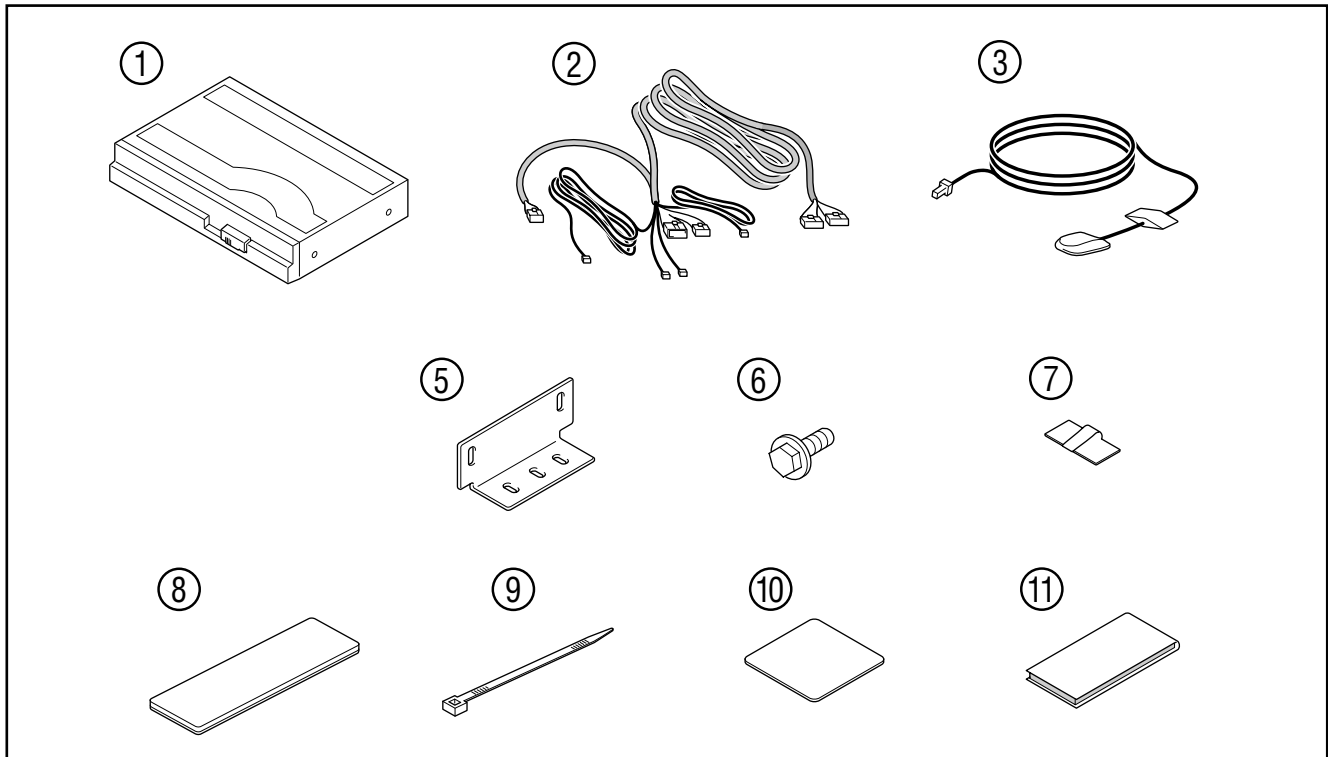
**+ ADD-ON UNIT(S)**

COMBINATION		HEAD UNIT	REQUIRED ADDITIONAL PARTS
<p><b>1,4 DIN Head-Unit</b></p>			
1	Cassette-Tuner (only)	08600-00964 (orange)	Cover plate (65522-42010)
2	Cassette-Tuner + CD-Deck	08600-00964 (orange)	-
3	Cassette-Tuner + CD-Changer	08600-00964 (orange) 08600-00964 (orange)	-
4	CD-Tuner (only)	08600-00966 (orange)	Cover plate (65522-42010)
5	CD-Tuner + CD-Deck	08600-00966 (orange)	-
6	CD-Tuner + CD-Changer	08600-00966 (orange) 08600-00966 (orange)	Cover plate (65522-42010)
<p><b>Wide 2-DIN Head-Unit</b></p>			
7	Cassette-Tuner (only)	MOP-Unit or 08600-00954 (orange)	-
8	Cassette-Tuner + CD-Changer	MOP-Unit or 08600-00954 (orange)	-
9	Cassette-Tuner + Navigation (TBT)	MOP-Unit or 08600-00954 (orange)	-
10	Cassette-Tuner + CD-Changer + Navigation (TBT)	MOP-Unit or 08600-00954 (orange)	-
11	CD-Tuner (only)	MOP-Unit or 08600-00959 (orange)	-
12	CD-Tuner + CD-Changer	MOP-Unit or 08600-00959 (orange)	-
13	CD-Tuner + Navigation (TBT)	MOP-Unit or 08600-00959 (orange)	-
14	CD-Tuner + CD-Changer + Navigation (TBT)	MOP-Unit or 08600-00959 (orange)	-

0.6 In-Dash CD-Changer (orange) (08601-00913) 0.6 CD-Deck (orange) (08601-00908)  
 Navigation System TNS300 (08545-00806) / Navigation System TNS200 (08545-00802)  
 Hide-Away CD-Changer (08601-00911)

About the Subwoofer (PZ426-B0250-00): in the luggage deck . (1) in the luggage area . (2) in the rear right hand floor deck

**COMPONENT PARTS** **08545-00802 / 08545-00806** 



No.	Part name	Quantity
①	COMPUTER	1
②	WIRE HARNESS	1
③	GPS ANTENNA	1
⑤	COMPUTER BRACKET	2
⑥	BOLT (M5 X 8)	4
⑦	CORD CLAMP	2
⑧	FOAM	2
⑨	WIRE TIE	5
⑩	EARTH PLATE	1
⑪	BUTYL TAPE	4

## REQUIRED PARTS



### NAVIGATION DISC

To be ordered separately.

Please refer to the list of available DISC for Turn by Turn Navigation Systems (Access to accessories).

### OWNER'S MANUAL

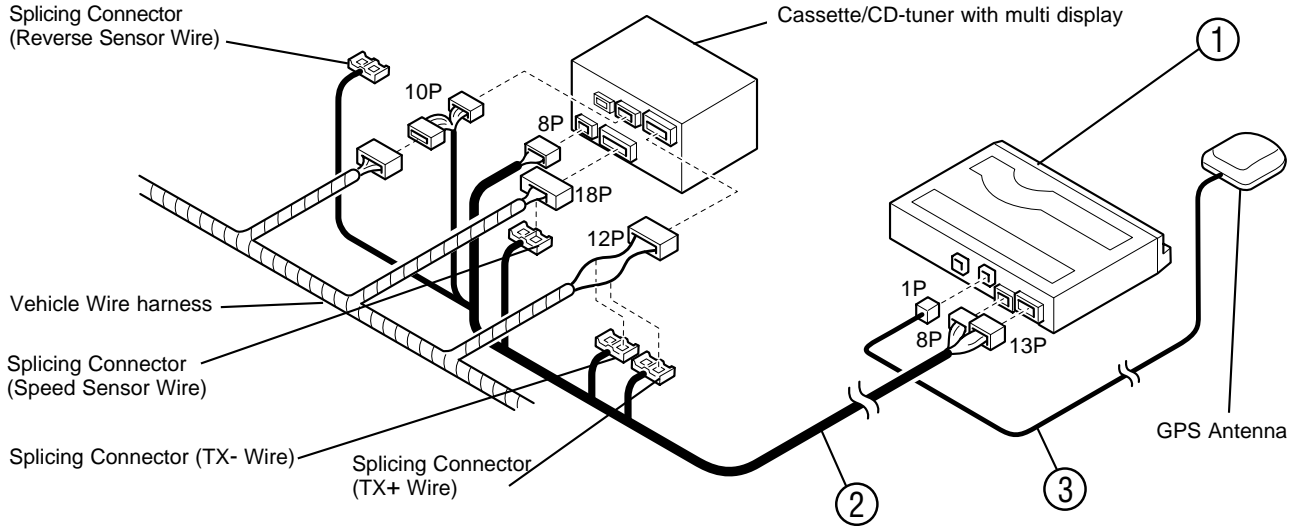
To be ordered separately.

# WIRING CONNECTION

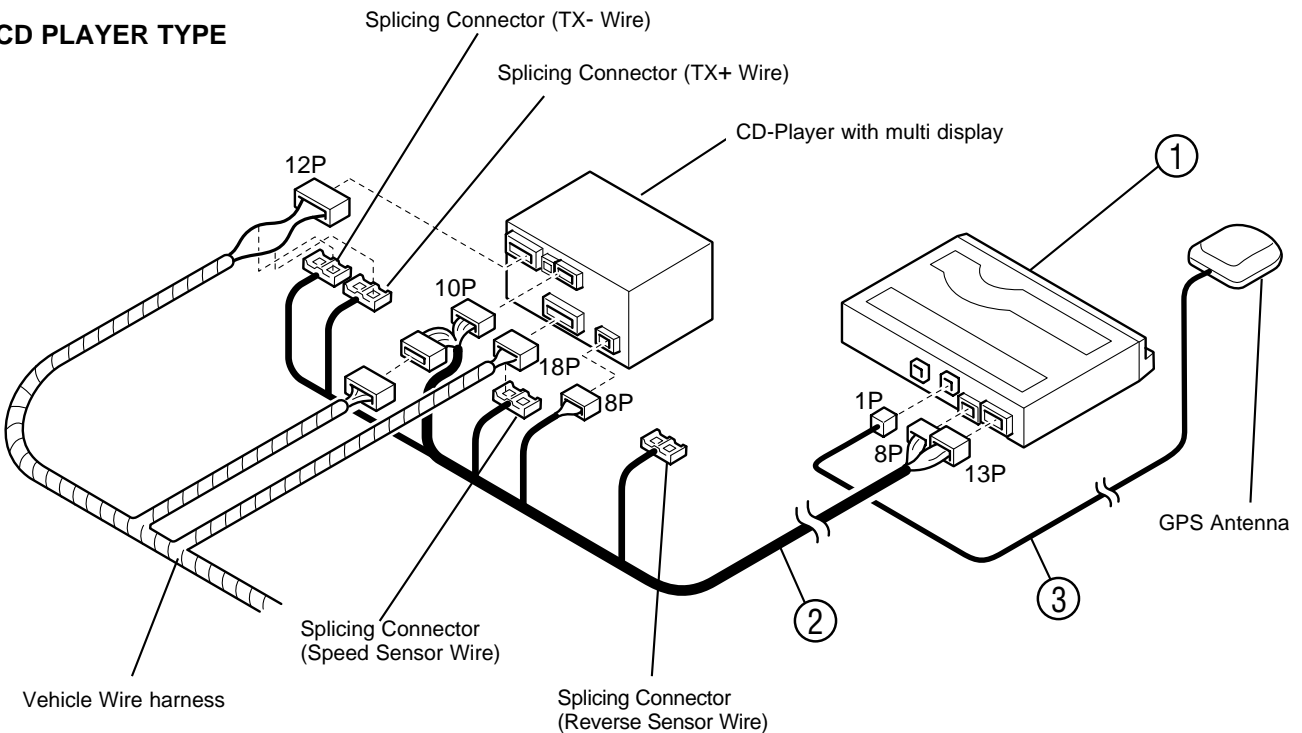


**Connection Method:**

**CASSETTE TAPE PLAYER TYPE**

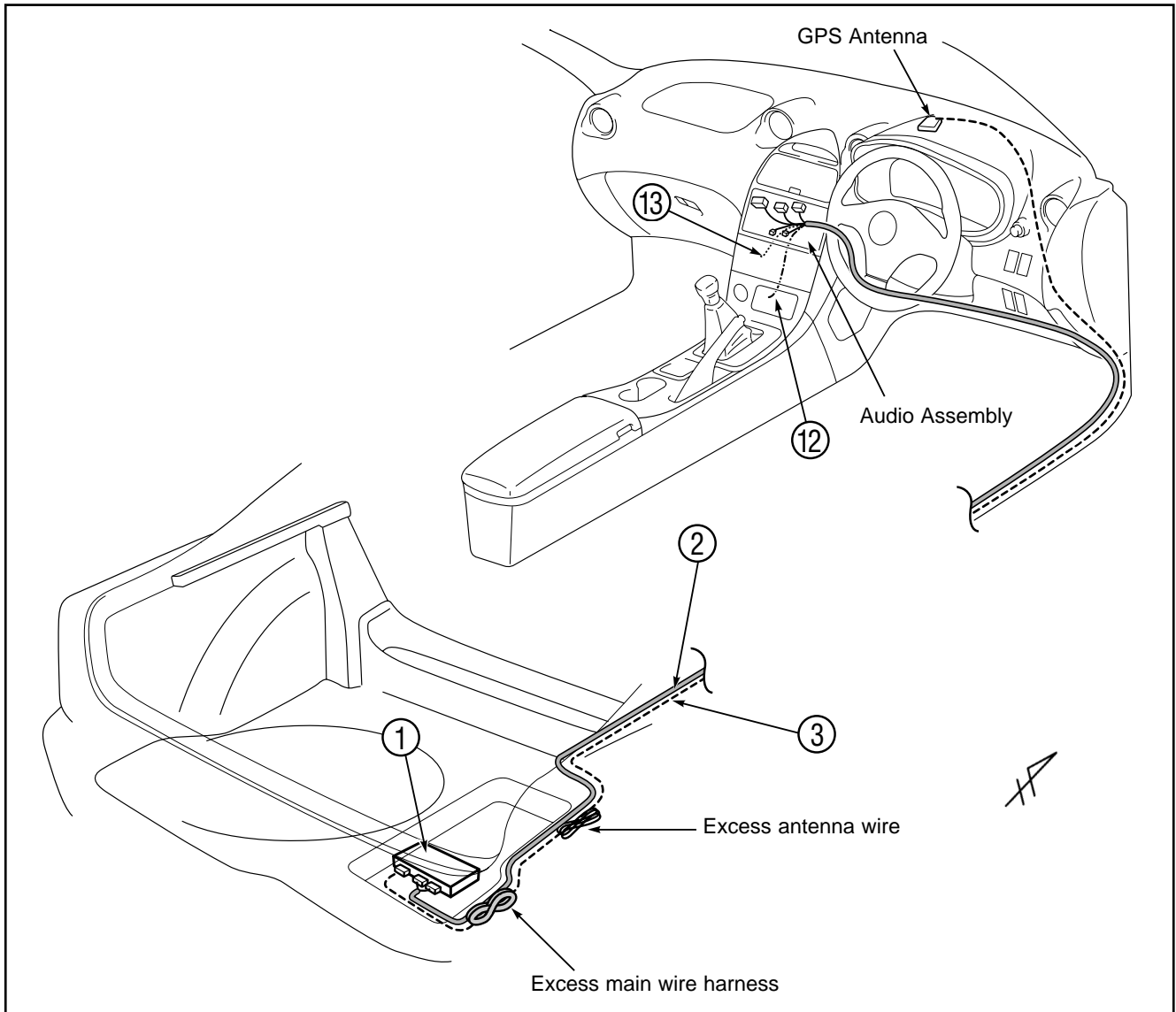


**CD PLAYER TYPE**



No.	Part name	Quantity
①	COMPUTER	1
②	WIRE HARNESS	1
③	GPS ANTENNA	1

# INSTALLATION OVERVIEW



- ..... ⑫ WIRE HARNESS - SPEED LINE (VIOLET/WHITE)
- ==== ② WIRE HARNESS
- ③ ANTENNA CORD
- - - - - ⑬ WIRE HARNESS REVERSE SENSOR WIRE (RED/BLUE)



**VEHICLE DISASSEMBLY** 

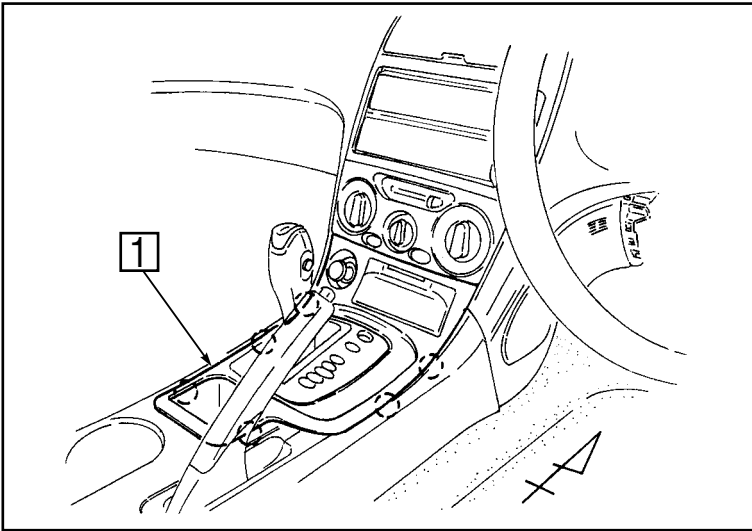


Fig. 1

● **FOR A/T MODELS**

1. Remove the console panel **1**.

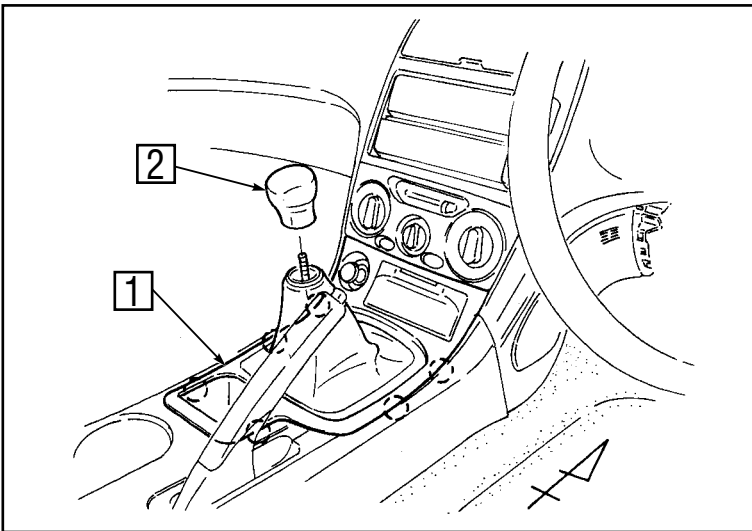


Fig. 2

● **FOR M/T MODELS**

1. Remove the gear lever knob **2** and console panel **1**.

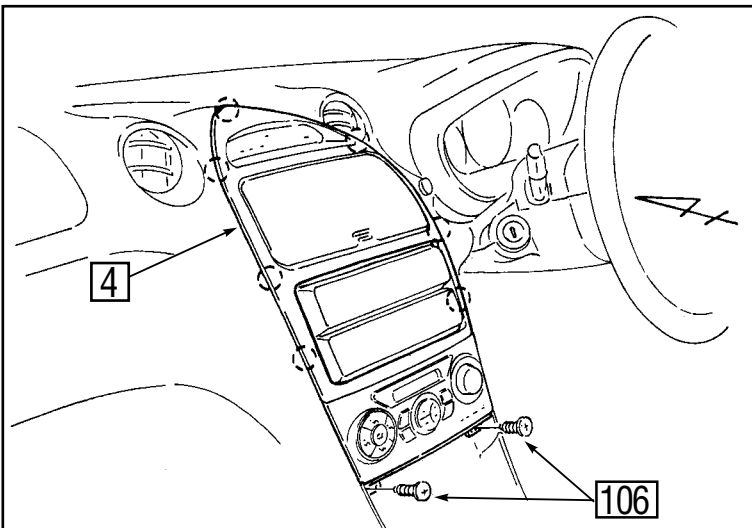


Fig. 3

● **FOR VEHICLES WITH AUTO AIR CONDITIONER**

3. Remove the center cluster panel **4**.

○: Clip (7x)

**106**: Screw (2x)

● FOR VEHICLES WITH MANUAL AIR CONDITIONER

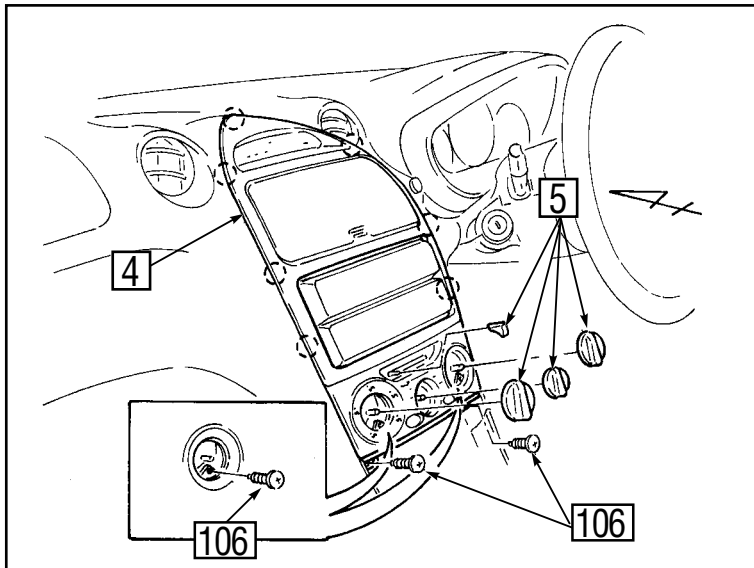


Fig. 4

3. Remove the heater control knobs [5] (4x) and center cluster panel [4].

○: Clip (7x)  
 [106]: Screw (2x)

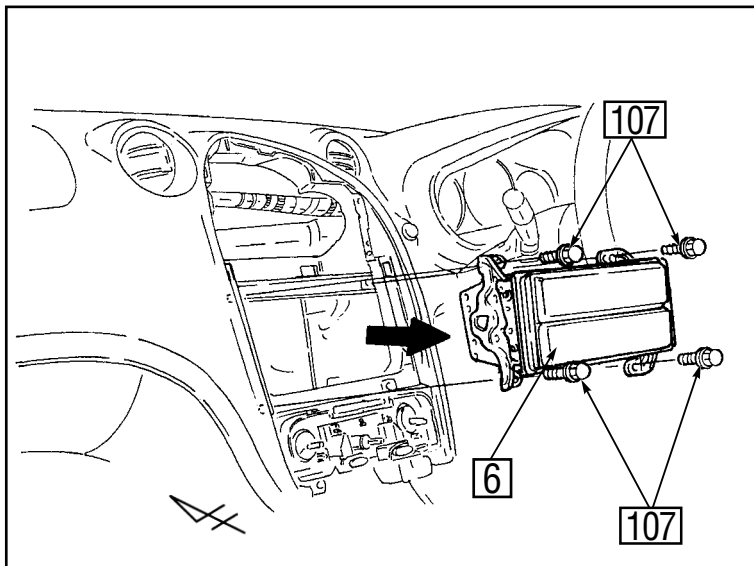


Fig. 5

4. Remove the covers [6].

[107]: Bolt (4x)

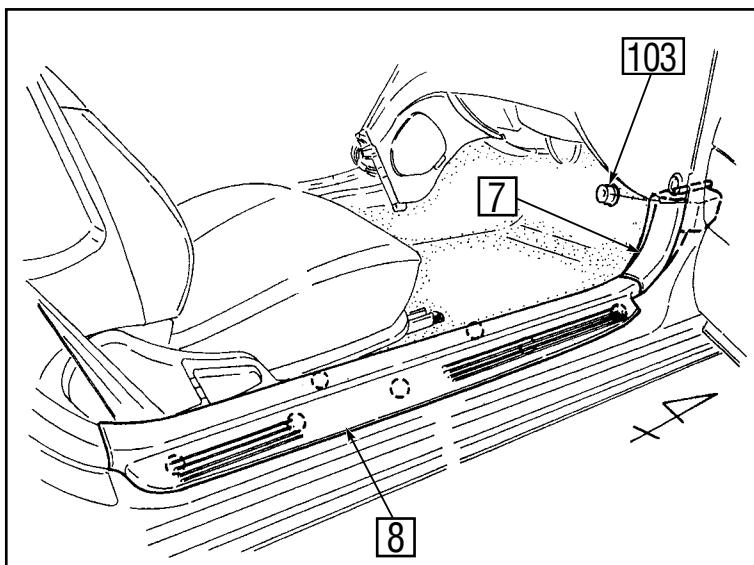


Fig. 6

5. Remove the kick panel (RH) [7] and front door scuff plate (RH) [8].

○: Clip (7x)  
 [103]: Nut (1x)

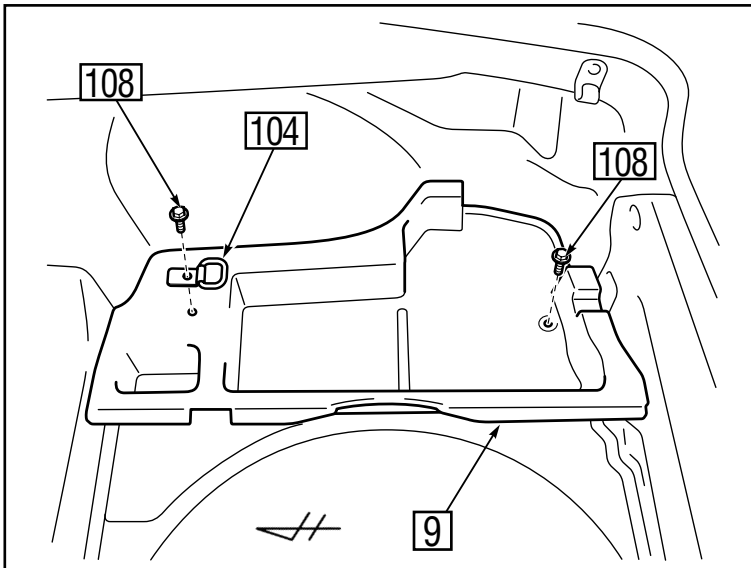


Fig. 7

6. Remove the deck floor box (RH) 9.

104 : Hook (1x)  
 108 : Bolt (2x)

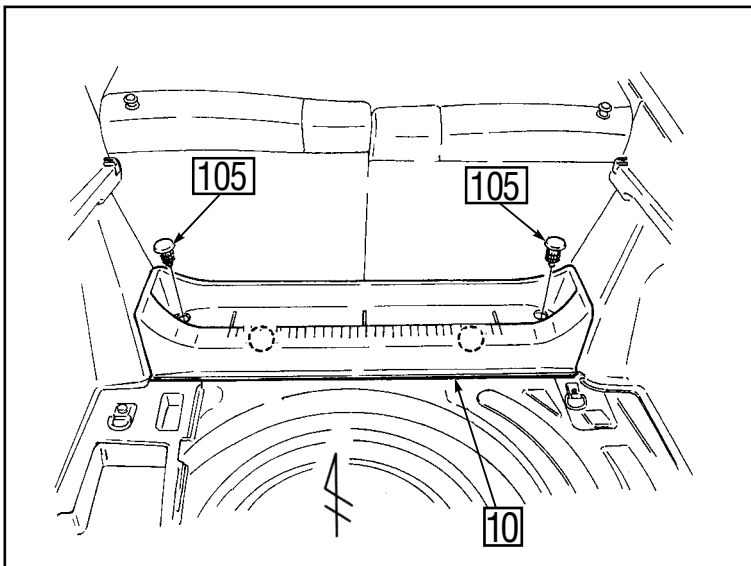


Fig. 8

7. Remove the luggage front box 10.

105 : Clip (2x)  
 ○ : Clip (2x)

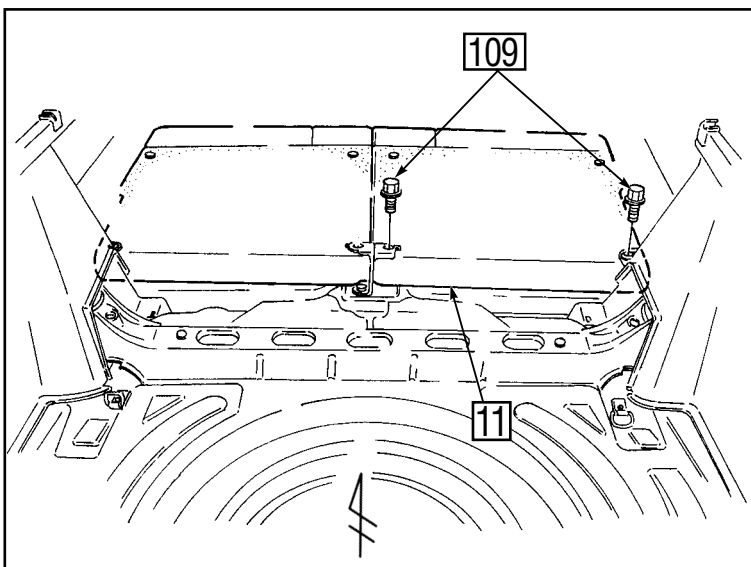


Fig. 9

8. Release the rear seat textile to locate the bolts 109.

Remove the rear seat back 11.  
 109 : Bolt (2x)

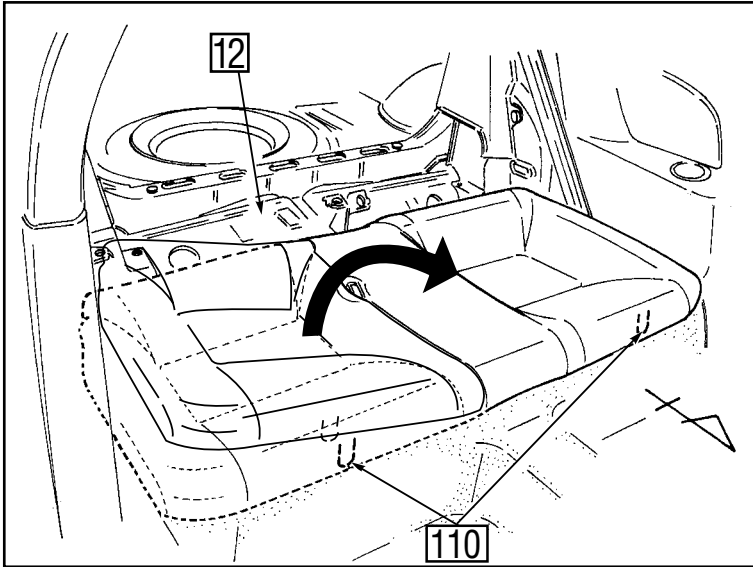


Fig.10

9. Release the rear seat cushion 12.  
110: Hook (2x)

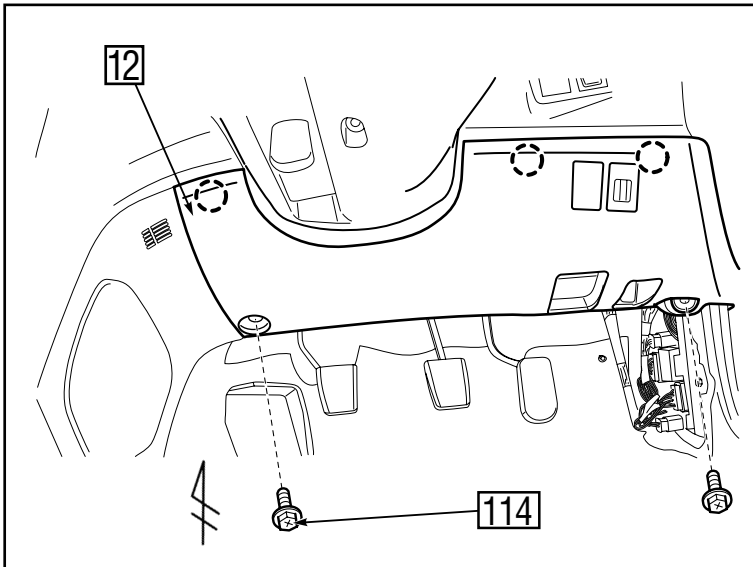


Fig.11

10. Remove the lower steering column panel 12.  
○: Clip (3x)  
114: Bolt (2x)

# INSTALLATION OF THE GPS ANTENNA

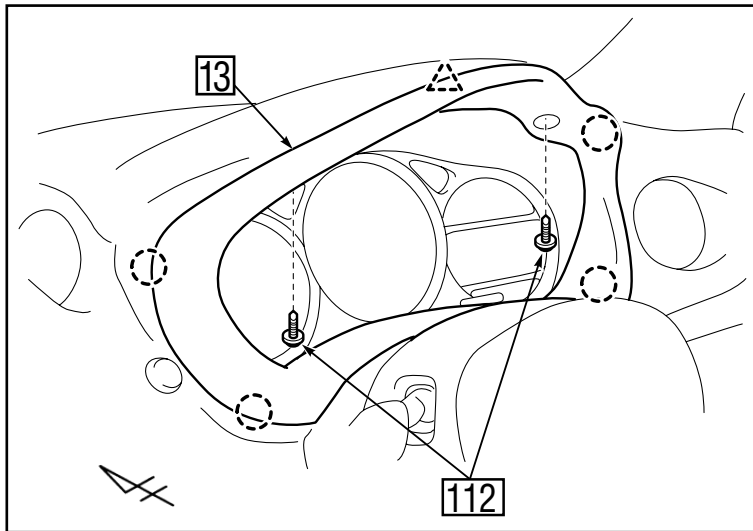


Fig. 12

1. Remove the meter cluster panel 13.  
 △: Hook (1x)  
 ○: Clip (4x)  
 112: Screw (2x)

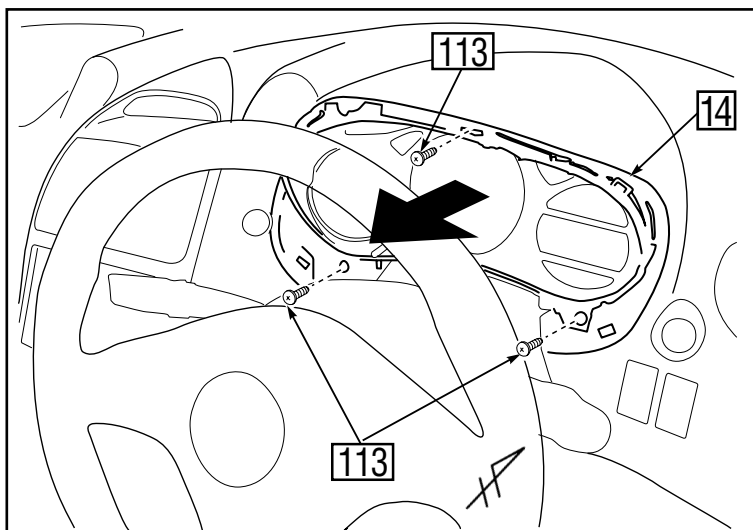


Fig. 13

2. Remove the combination meter assembly 14.  
 113: Screw (3x)

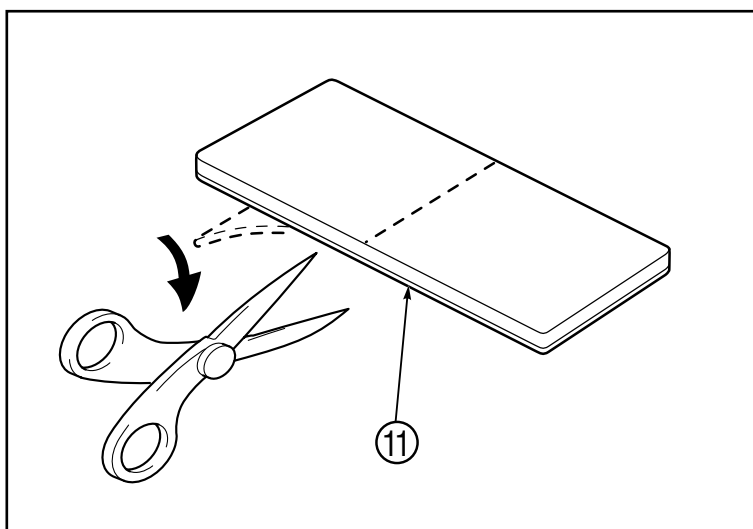


Fig. 14

4. Cut one butyl tape 11 into 2 equal sized pieces.

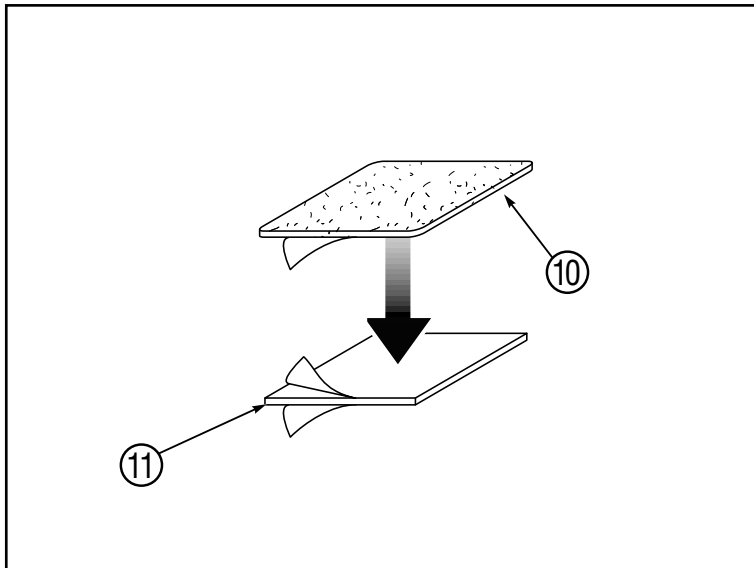


Fig. 15

4.
  - a) Remove the release paper of the earth plate ⑩ and attach the tape ⑪ as shown.
  - b) Apply the tapes ⑪ to the adhesive side of the earth plate ⑩.

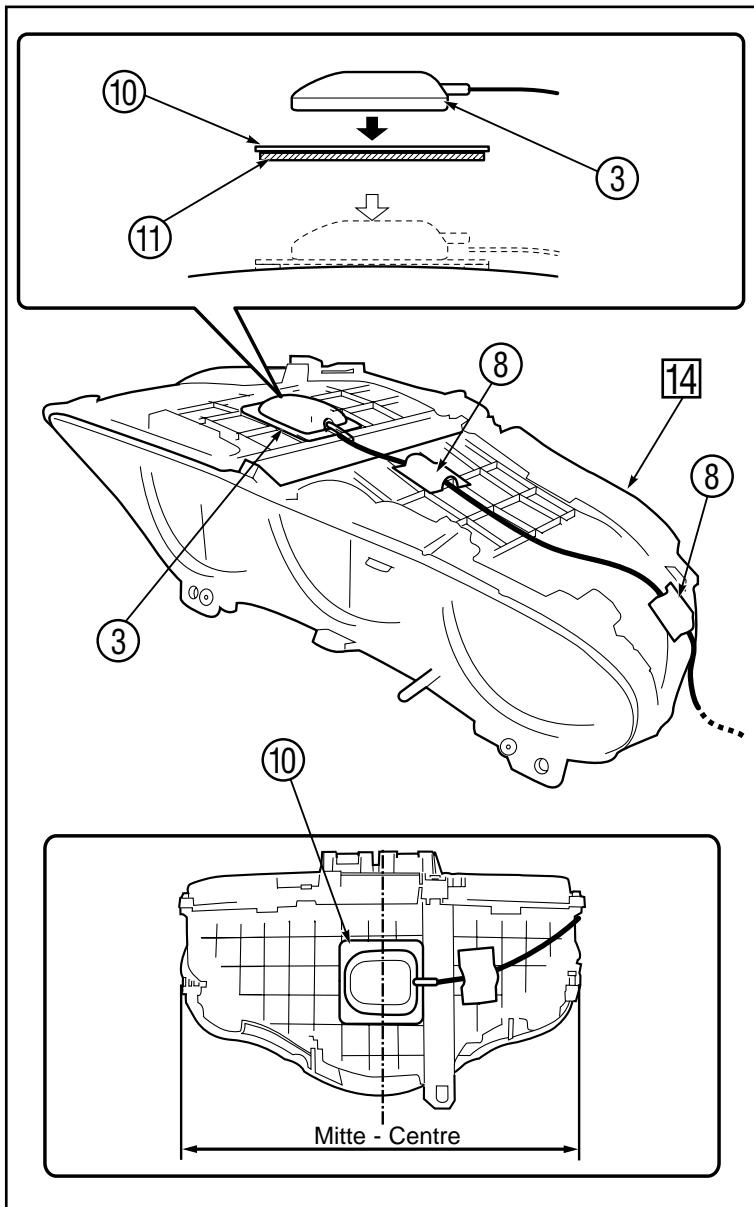


Fig. 16

5. Attach the earth plate ⑩ to the combination meter assembly ⑭ as shown and mount the GPS antenna ③ to the earth plate ⑩.

**CAUTION**  
**Clean the installation position surface before attaching the earth plate ⑩.**

Fix the antenna cord using foam ⑧ (2x).

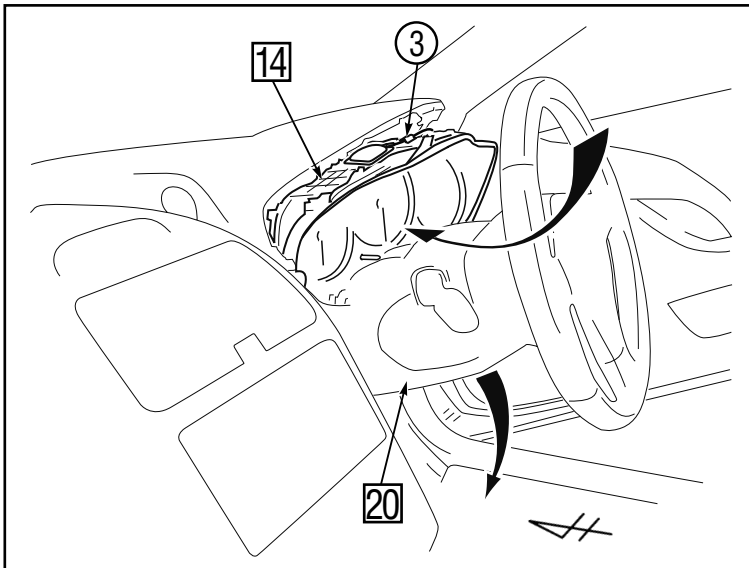


Fig. 17

6. Route the antenna cord ③ as shown in the illustration.
7. Push down the steering column ⑳, and return the combination meter assembly ⑭ to its original position, without rubbing the GPS antenna ③ against the instrument panel.

**CAUTION**

**Be careful not to slip away the GPS antenna ③ from the earth plate ⑩.**

# WIRE HARNESS INSTALLATION

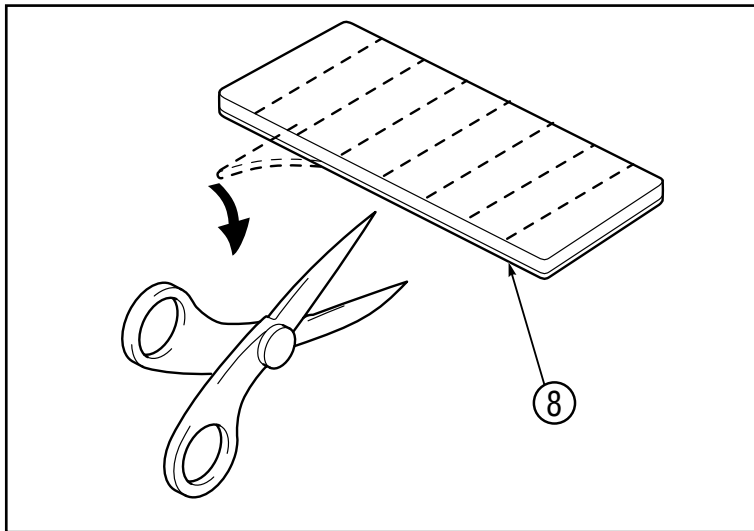


Fig. 18

1. Cut the foam tape ⑧ into 8 equal sized pieces.

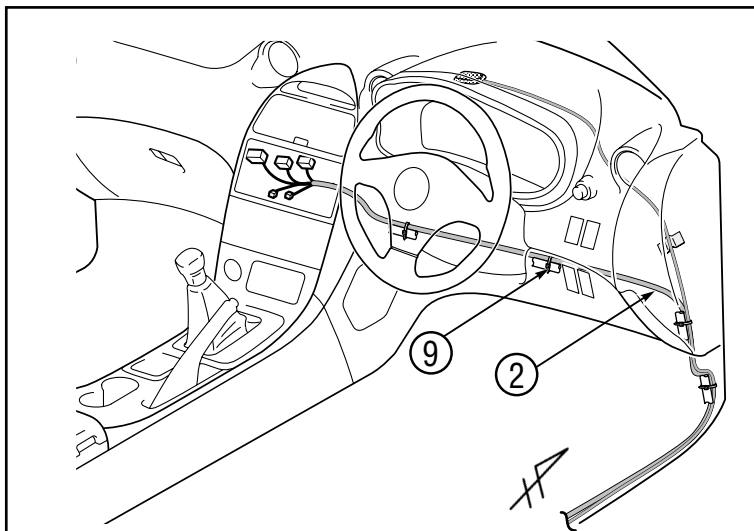


Fig. 19

2. Route the wire harness ② as shown using wire ties ⑨ (4x).

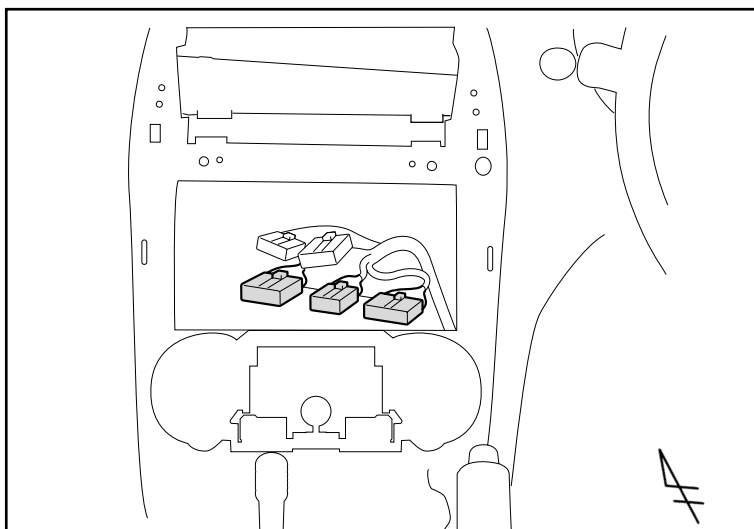


Fig. 20

3. The connectors shown in the illustration are the vehicle side connectors to be spliced.



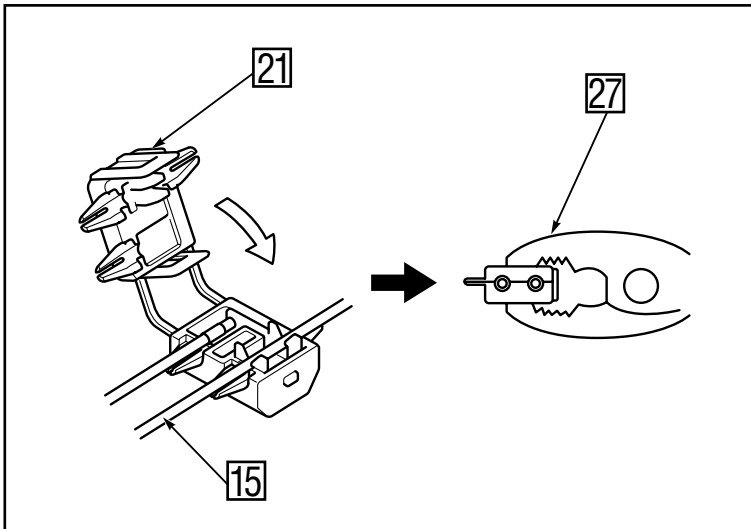


Fig. 21

● WIRE SPLICING CONNECTOR INSTRUCTIONS

4.
  - a) Remove appropriate amount of tape wrapping the vehicle side harness to be connected.
  - b) Insert the vehicle harness 15 to be connected securely into the guide slit.
  - c) After inserting the vehicle side harness into the guide slit, fix the splicing connector 21, and lock it securely using a plier 27 until the connector clicks.

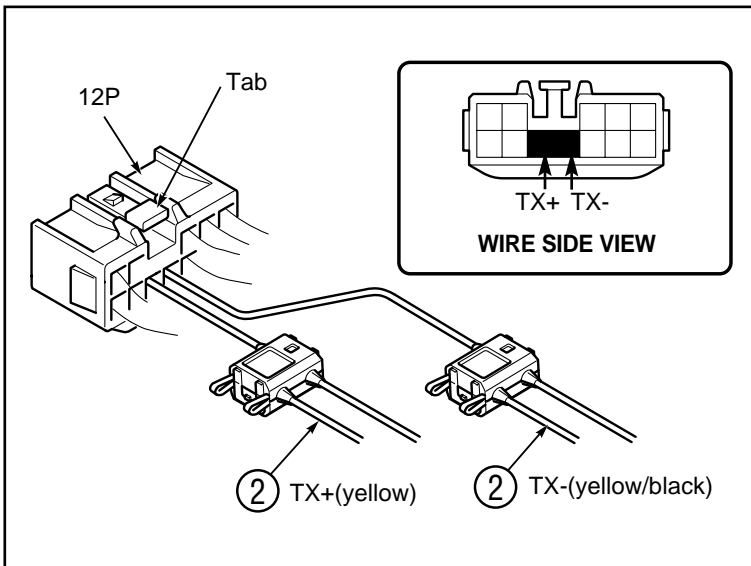


Fig. 22

● TX WIRE CONNECTION

5.
  - a) Turn the connector so that the wires face you and the tab is on top.
  - b) Connect the TX(+) (yellow) wire of the wire harness 2 to the wire of the third position from the left side of the bottom row.
  - c) Connect the TX(-) wire (yellow/black) of the wire harness 2 to the wire of the fourth position from the left side of the bottom row.

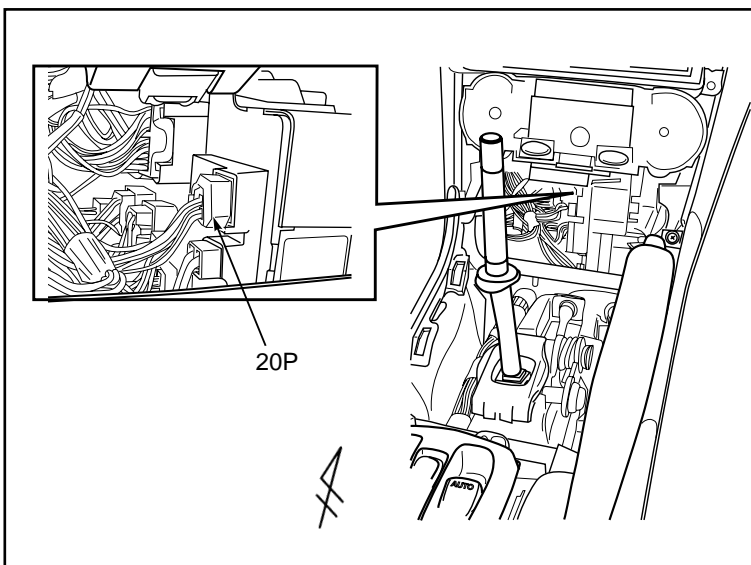


Fig. 23

● SPEED SENSOR CONNECTION

6. Locate and disconnect the 20P connector from the centre J/B.

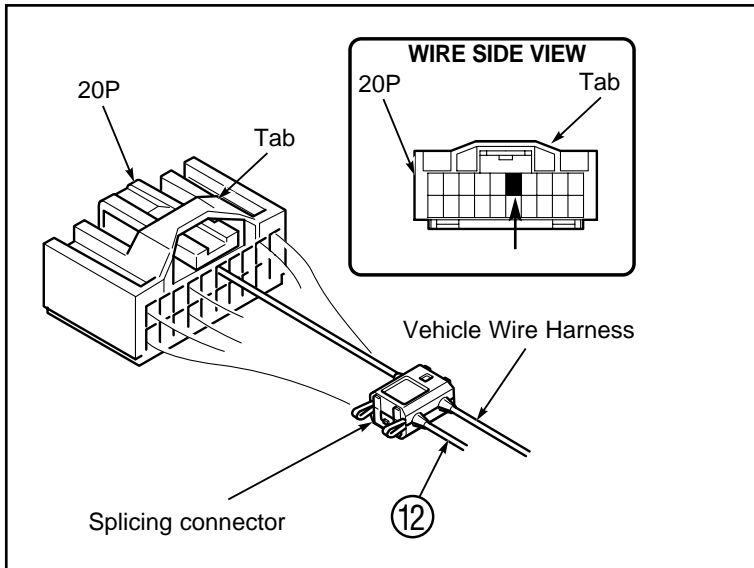


Fig. 24

7.
  - a) Turn the connector so that the wires face you and the tab is on top.
  - b) Connect the speed sensor wire ⑫ (violet/white) of the wire harness ② to the wire of the fifth position from the right side of the top row.

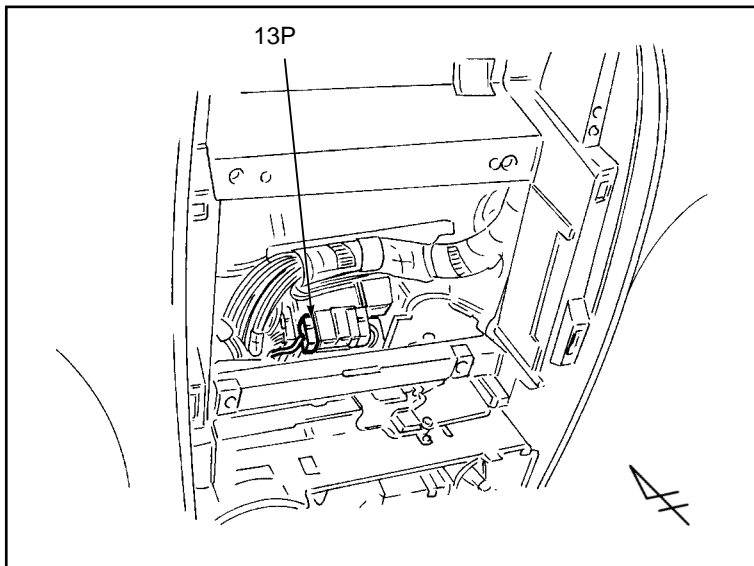


Fig. 25

● REVERSE SENSOR CONNECTION

8. Locate and disconnect the 13P connector at the top of the centre J/B.

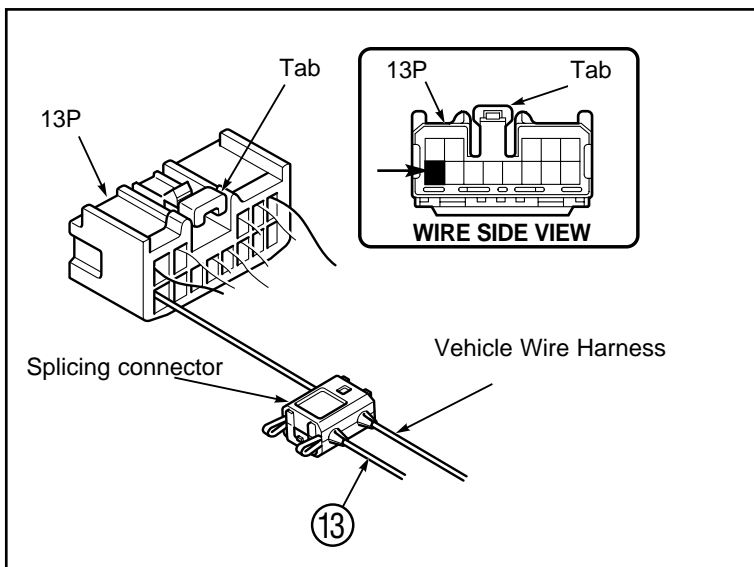


Fig. 26

9.
  - a) Turn the connector so that the wires face you and the tab is on top.
  - b) Connect the reverse sensor wire ⑬ (red/blue) of the wire harness ② to the wire of the first position from the right side of the bottom row.

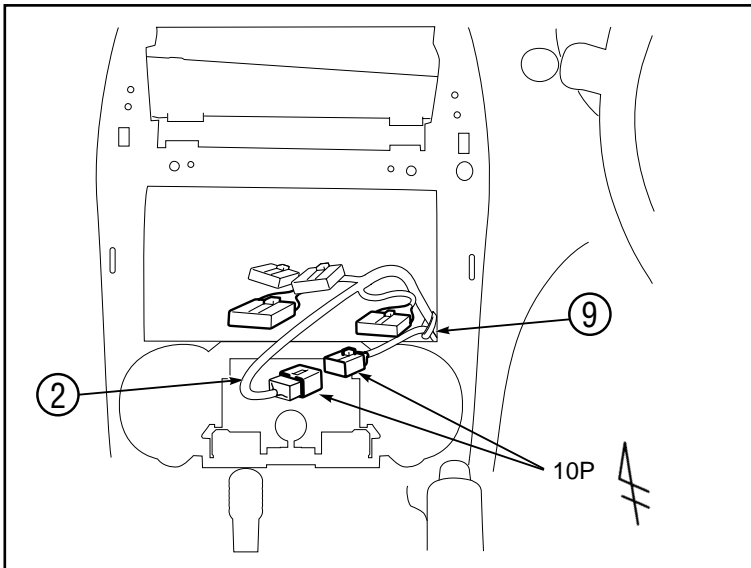


Fig. 27

10. Connect the wire harness ② 10P connector to the vehicle side 10P connector.  
Secure the wire harness ② to the vehicle wire harness using the wire tie ⑨ (1x).

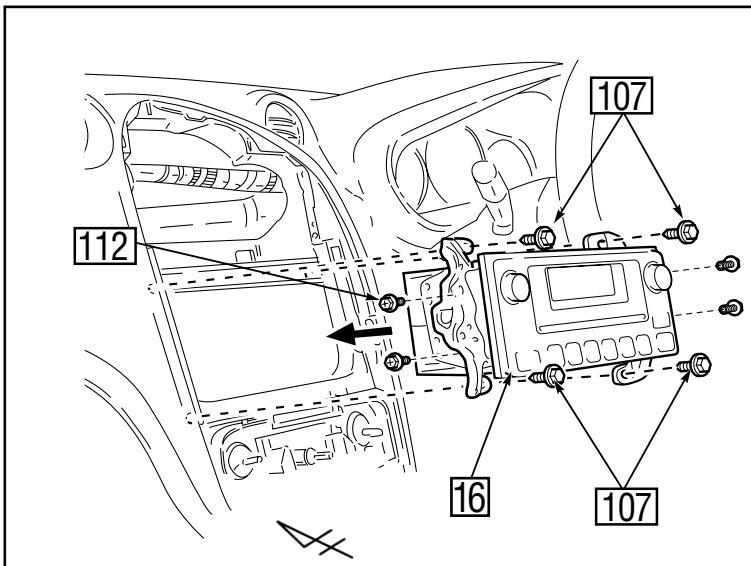


Fig. 28

11.
  - a) Fit the brackets to the wide 2-DIN audio assy 16.  
112: Bolt (4x)
  - b) Fit the audio assy using bolts as shown.  
107: Bolt (4x)

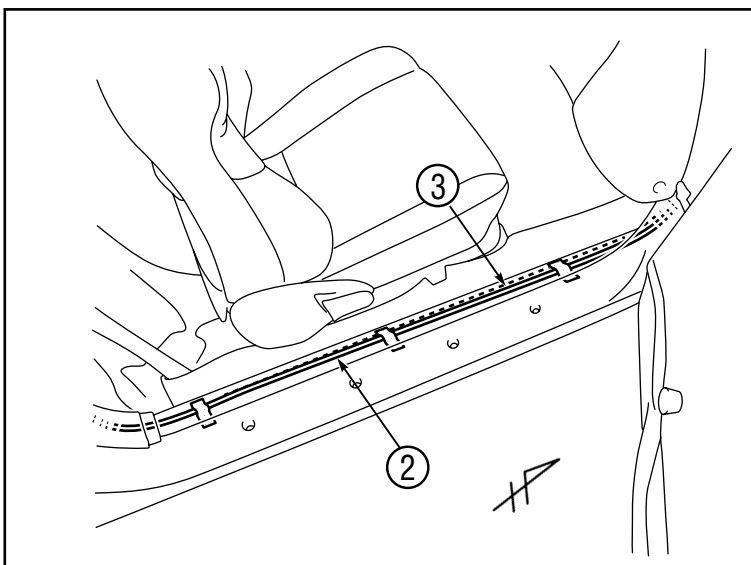


Fig. 29

● WIRE HARNESS ROUTING

12. Wire the antenna cord ③ to the computer along with the wire harness ② as shown in the left figure.

**CAUTION**  
Tape the tip of the screwdriver to protect, and insert the antenna cord using the screwdriver.

**CAUTION**  
To insert the antenna cord between the wind shield and instrument panel, use minus screwdriver mentioned above.

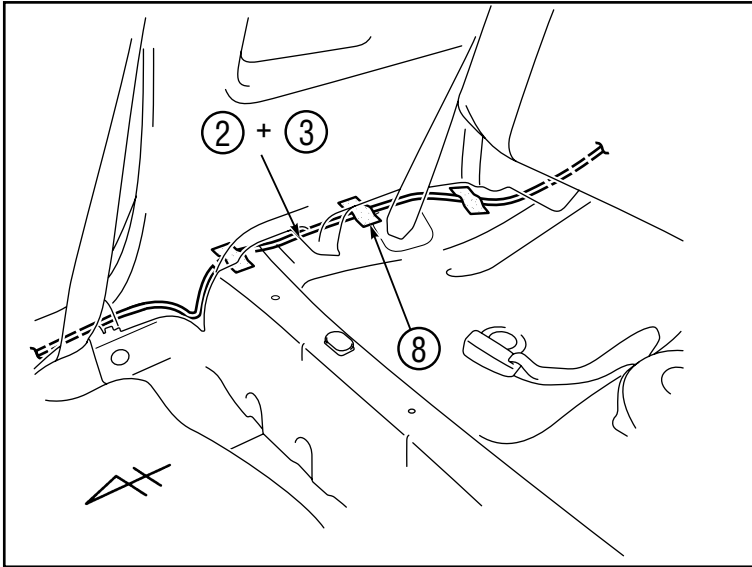


Fig. 30

13. Route and attach the main wire harness ② and antenna cord ③ by using foam tape ⑧ (3x) as shown.

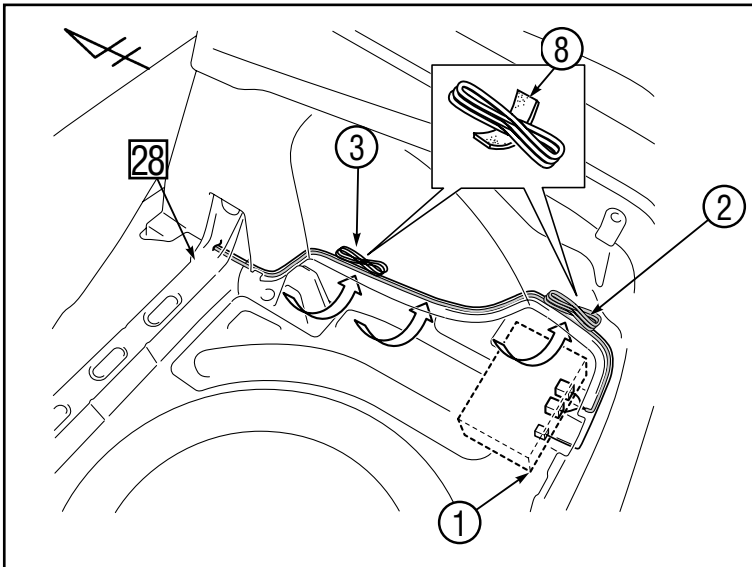


Fig. 31

14. Route the main wire harness ② and antenna cord ③ through the cross member ⑳.
15. Bundle up and wrap the excess part of the main harness ② into foam ⑧ and put it under the trim as shown.
16. Bundle up and wrap the excess part of the antenna cord ③ into foam ⑧ and put it under the trim as shown.

# INSTALLATION OF THE COMPUTER

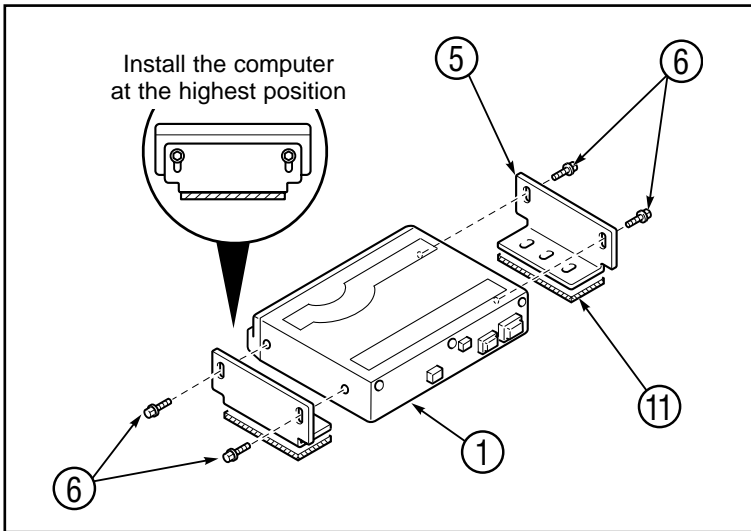


Fig. 32

1. Place the brackets (5) on the computer (1). Make sure that the ECU (1) is in the highest position.
2. Attach the tapes (11) to the under part of the brackets (5).

**CAUTION**  
Do not remove the release paper on the under side of the tapes (11) yet.

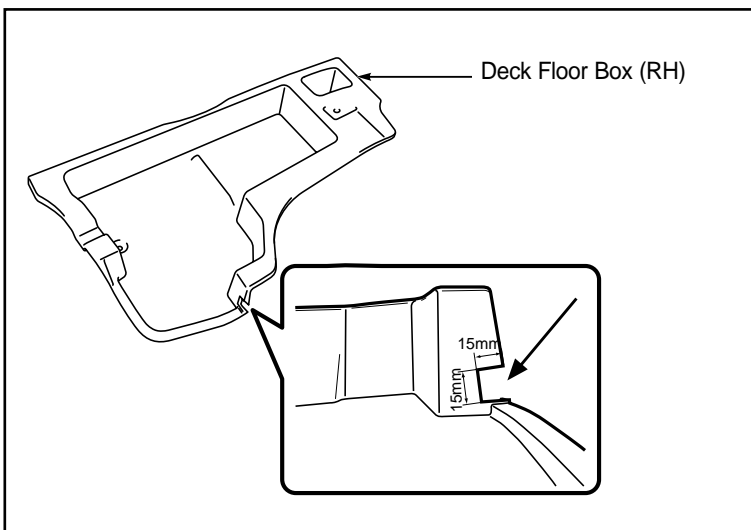


Fig. 33

- FOR MODELS USING DECK FLOOR BOX
3. Cut out a piece (15 x 15 mm) using a cutter knife as shown in the left figure.

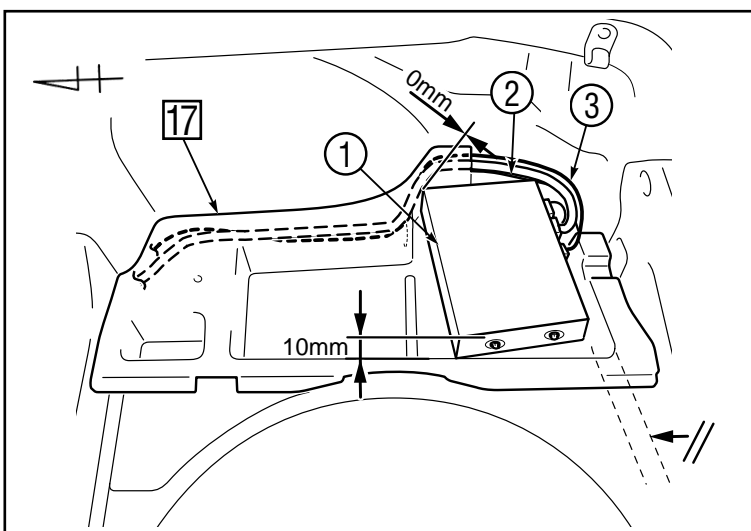


Fig. 34

4. Refit the deck floor box (17).
5. Connect the main wire harness (2) and the antenna (3) to the ECU (1).

**CAUTION**  
Connect the connectors before affixing the computer (1).

6. Position the ECU (1) in such a way that the rear of the ECU (1) is parallel to the rear of the deck floor box (17).

**CAUTION**  
Make sure that the antenna connector still is free.

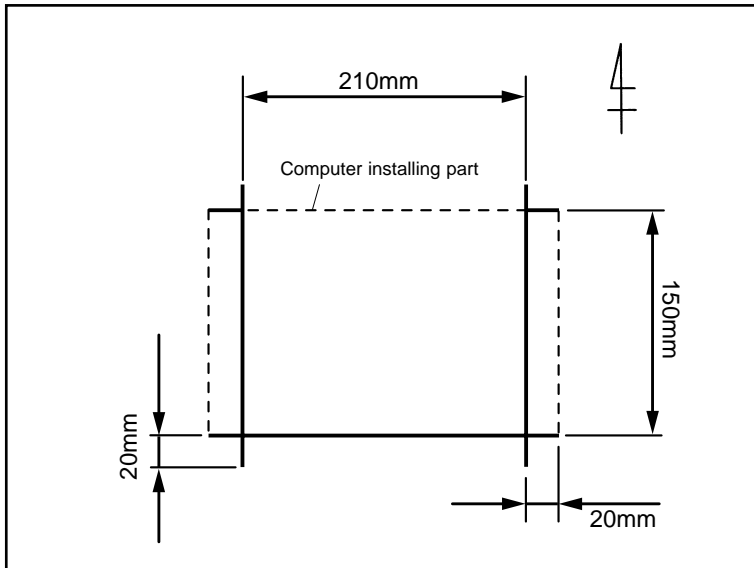


Fig. 35

● FOR MODELS WITHOUT DECK FLOOR BOX

- 7. Slit the luggage carpet at the computer installation position.

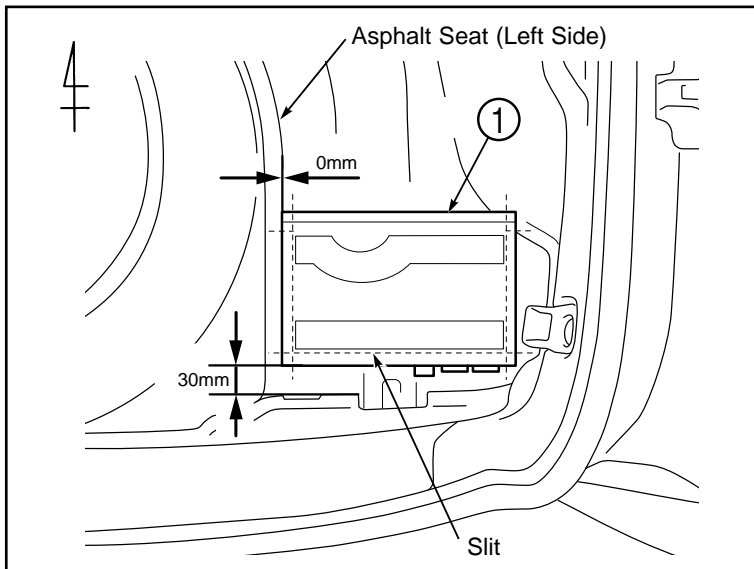
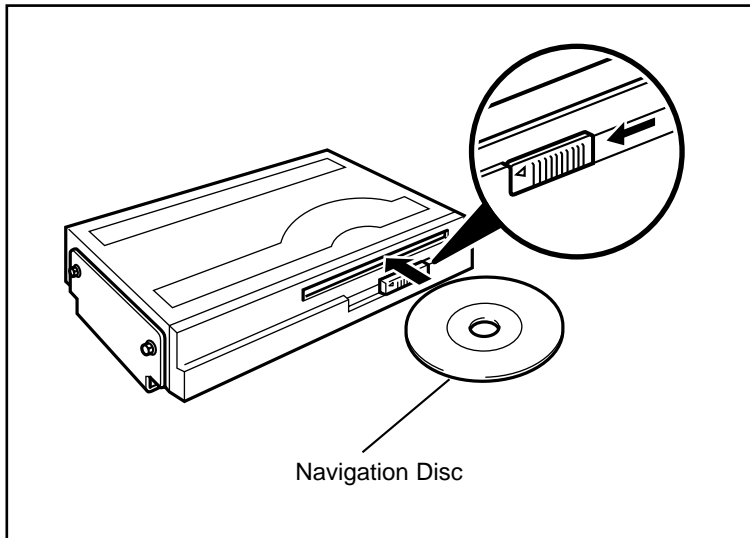


Fig. 36

- 8. Install the computer ① at the right rear position of the luggage room.

**INSTALLATION OF NAVIGATION DISC***Fig. 37*

1. Connect the battery and turn the ignition switch to the ACC position.
2. Slide the eject switch on the computer to the left to open the disc insertion slot.
3. With the label side of the disc facing up, insert the Navigation Disc into the disc insertion slot.  
**\* The disc will be pulled into the computer automatically.**
4. Slide the eject switch on the computer to the right to close the disc insertion slot.

## POST-INSTALLATION INSPECTION



### Installation Check

1. Inspect the wiring and installation for abnormalities.
2. Check particularly closely for any locations where the vehicle harness, wire harness or divergency harness is being pushed, pulled or pinched using excessive force. Also check again that clamps and bands have not shifted out of position and that all parts have been tightened.

### Operation Check

1. Attach the (-) terminal of the battery and turn the key to the ACC or ON position or start the engine.
2. Press the NAVI switch and confirm that the navigation screen is displayed.
3. Adjust the volume by following the section on "Adjusting the Volume of the Guide Voice" in the TNS Owner's Manual, and confirm that the sound from the speakers changes.
4. Perform the "auto-compensation" procedure by following the section on "When Tires are Replaced" in the TNS Owner's Manual.

*When an abnormality is suspected, perform troubleshooting based on the "Toyota Genuine Navigation System Service Manual".*

## REASSEMBLING



Return all vehicle parts that have been removed to their original locations. Especially make sure to attach trim and other interior materials properly so that they do not have a detrimental effect on the function of the vehicle. During reassembling, make sure that wires are not pinched and all bolts and screws are tightened.

**ENSURE THAT ALL REMOVED CONNECTORS  
ARE PUT BACK CORRECTLY.  
REFIT THE TRIM AND REMOVED PARTS.**



**TOYOTA**  
**GENUINE PARTS**