



TOYOTA

ALWAYS A
BETTER WAY

Yaris

Roof Spoiler

Installation Instruction

Model year: 2011/07, 2014/07

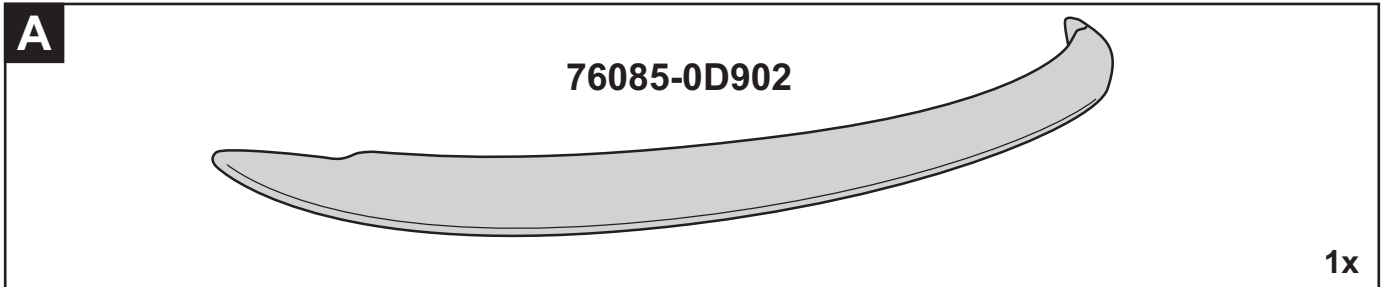
Vehicle code: **P130*-C****W

Part number: 76085-0D902

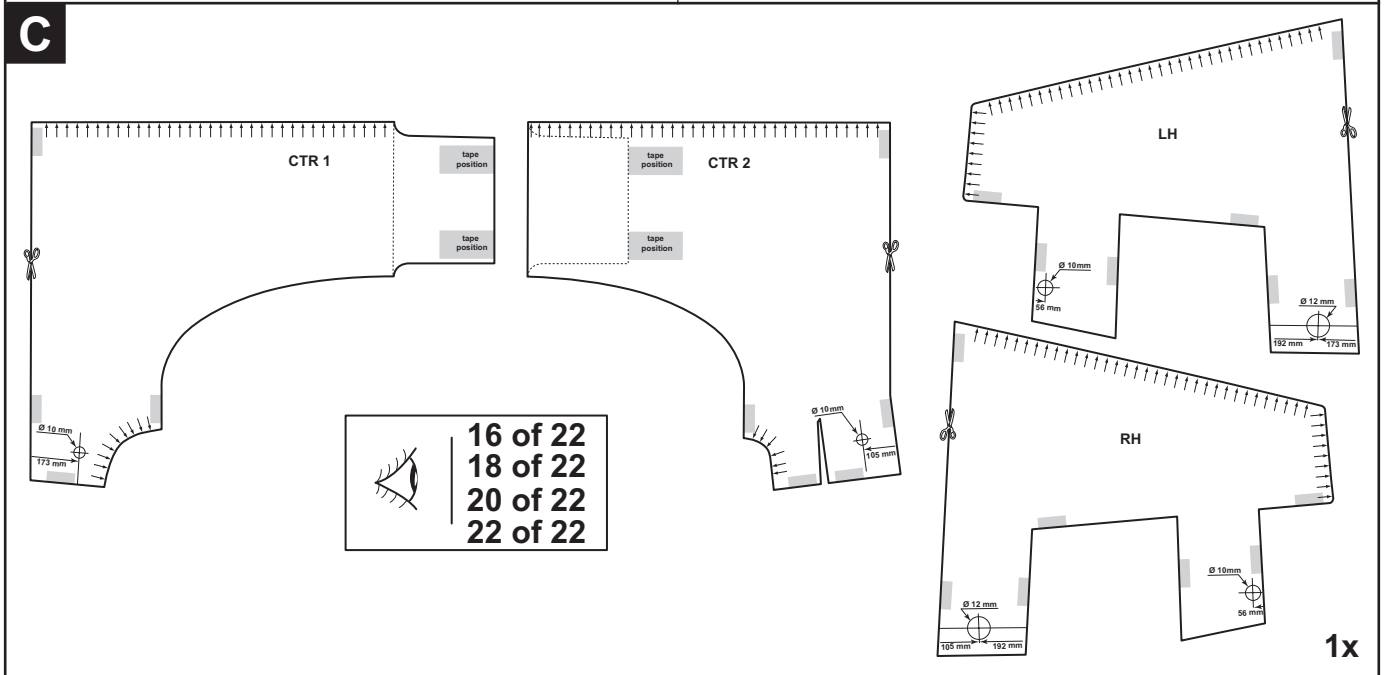
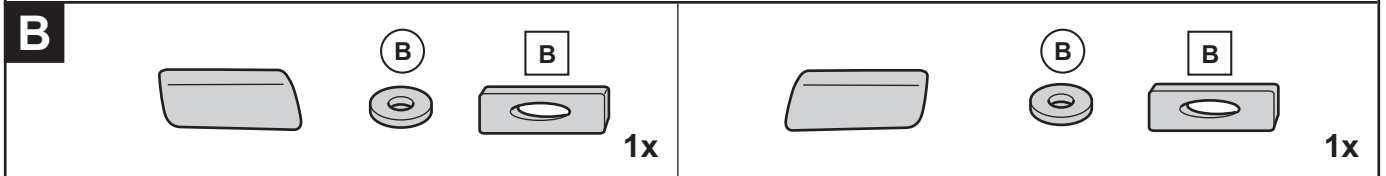
Manual reference number: AIM 002 232 - 3

Revision Record

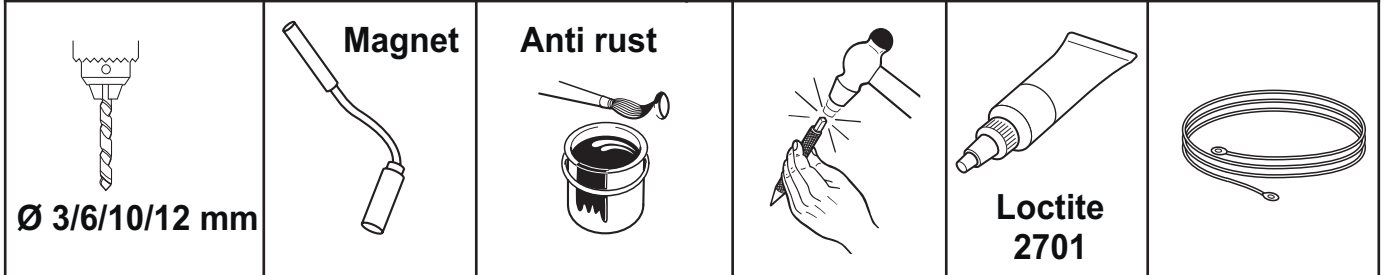
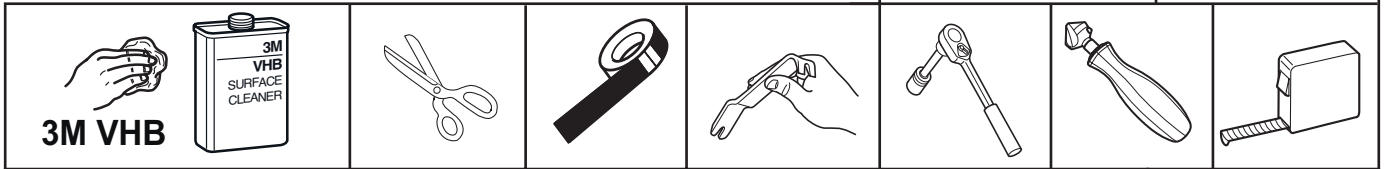
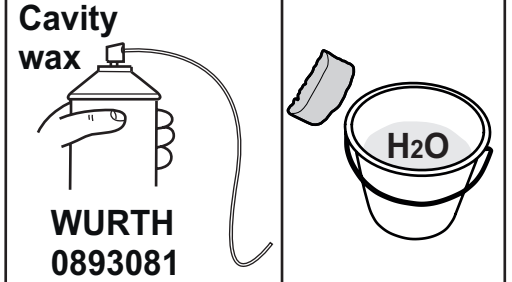
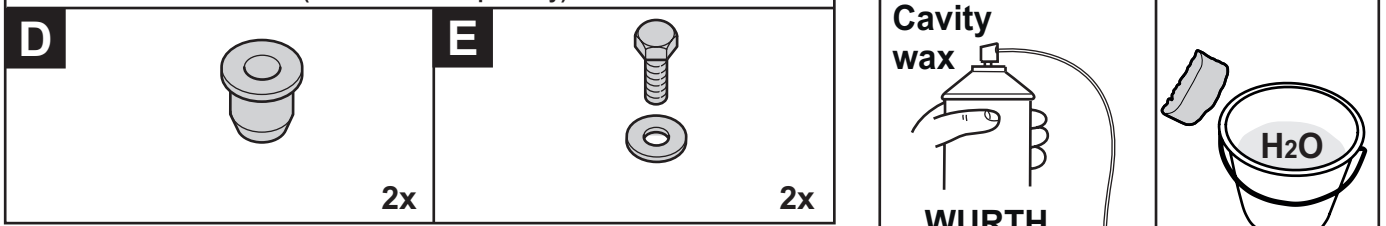
Rev. No.	Date	Page	Picture	Update	New	Deleted steps
1	11-08-11	1	Model year	X		
1	11-08-11	3	F	X		
2	23-11-11	All	Various	X	X	
3	12-03-14	All	All	X		



76894-0D903 (LH) (to be ordered separately) **76893-0D903 (RH)**



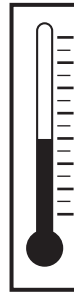
PZ402-B9475-60
(to be ordered separately)



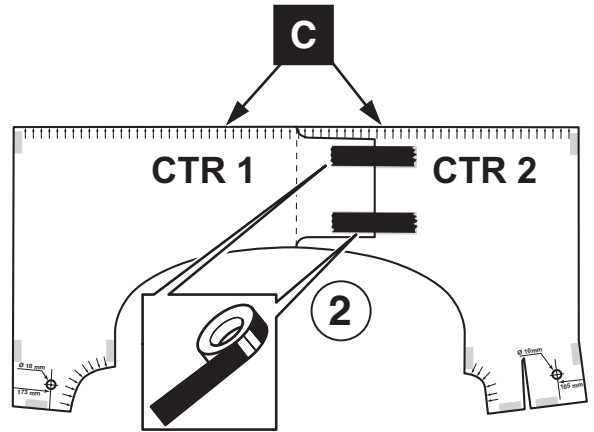
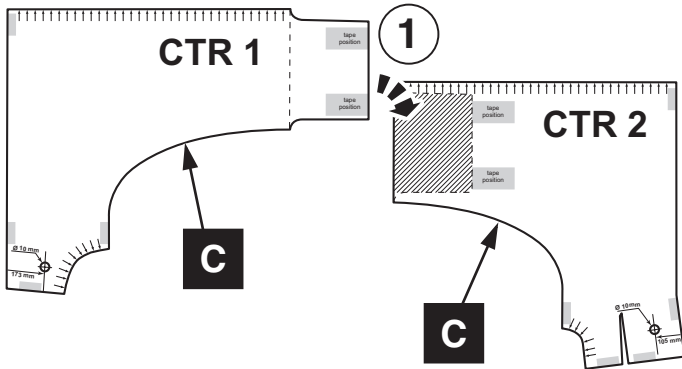


40°C

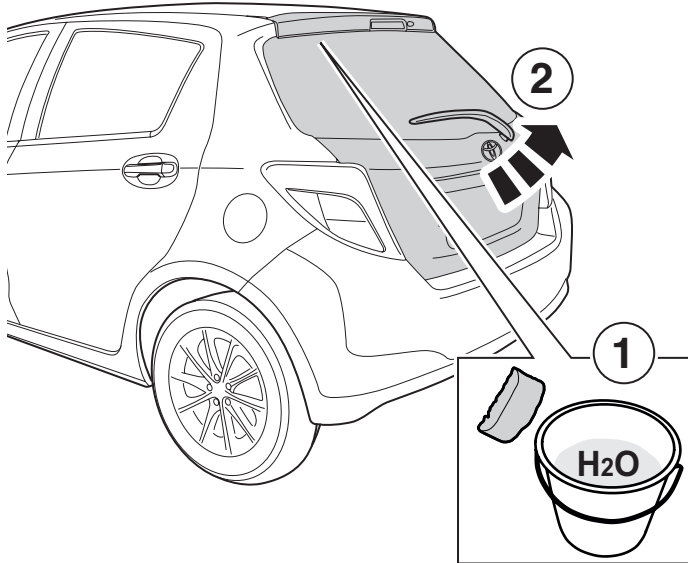
18°C



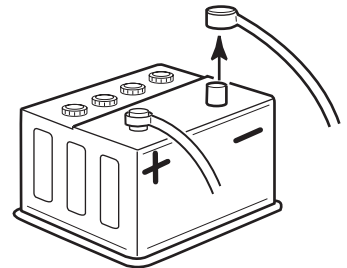
1



2

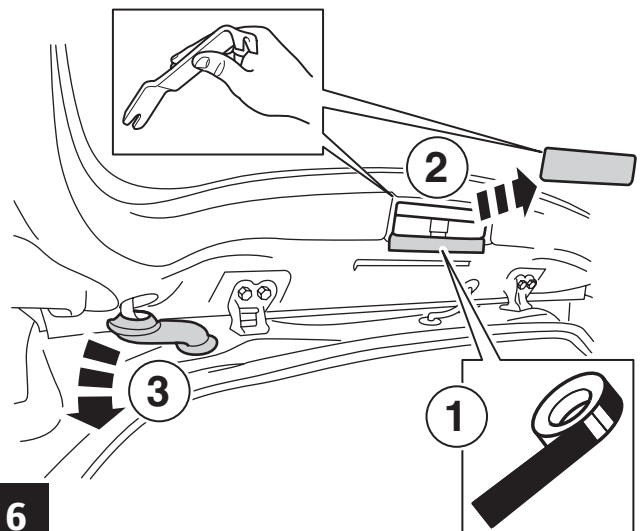
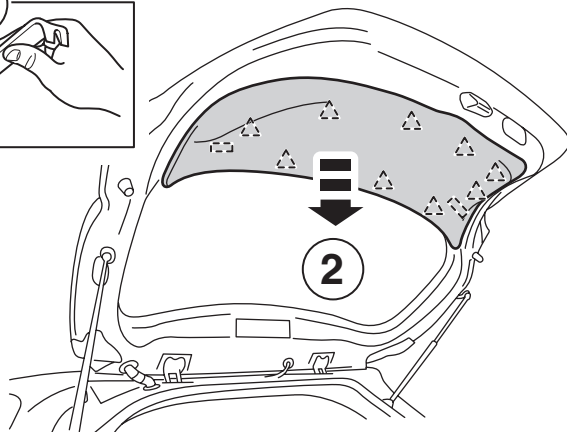
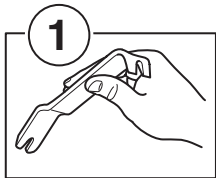


2.9-7.8 Nm



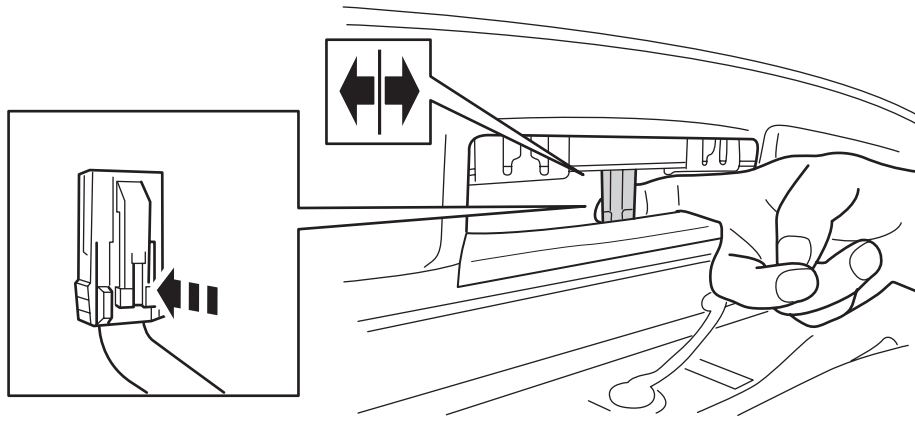
3

4

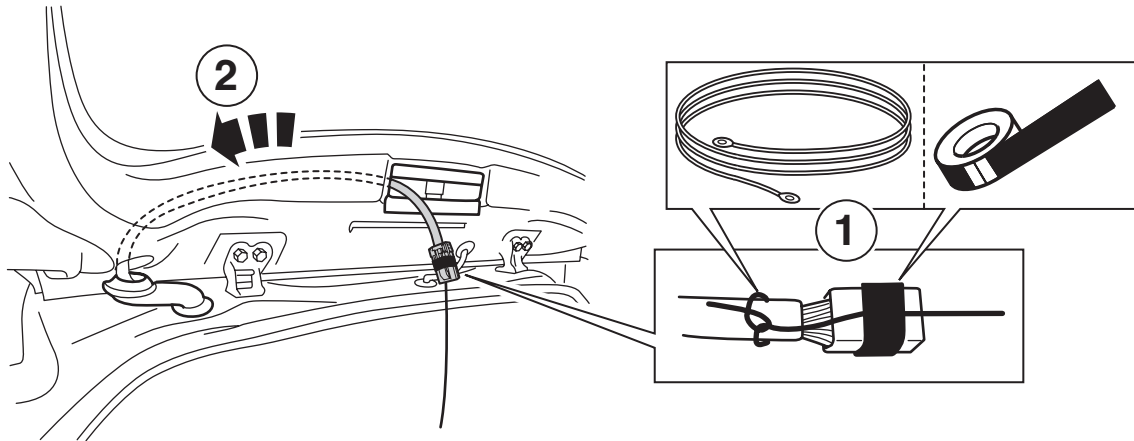


5

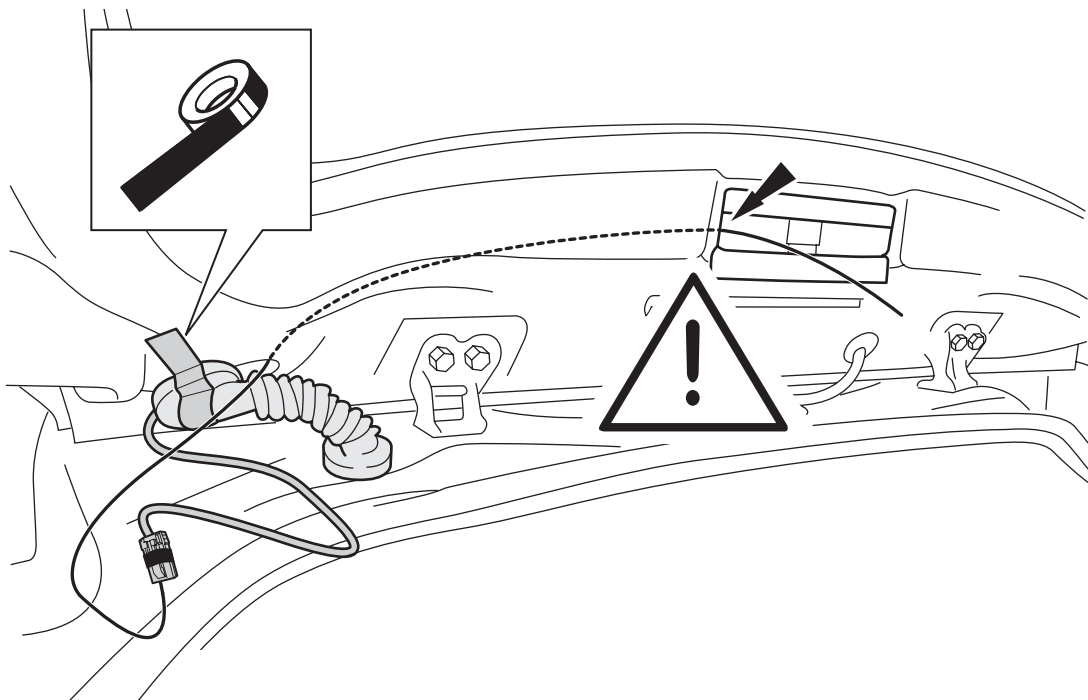
6



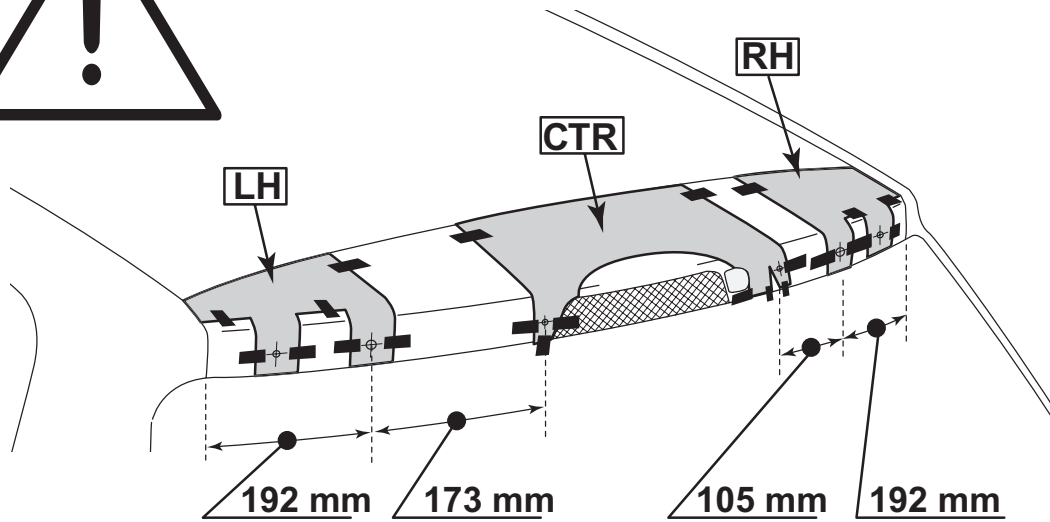
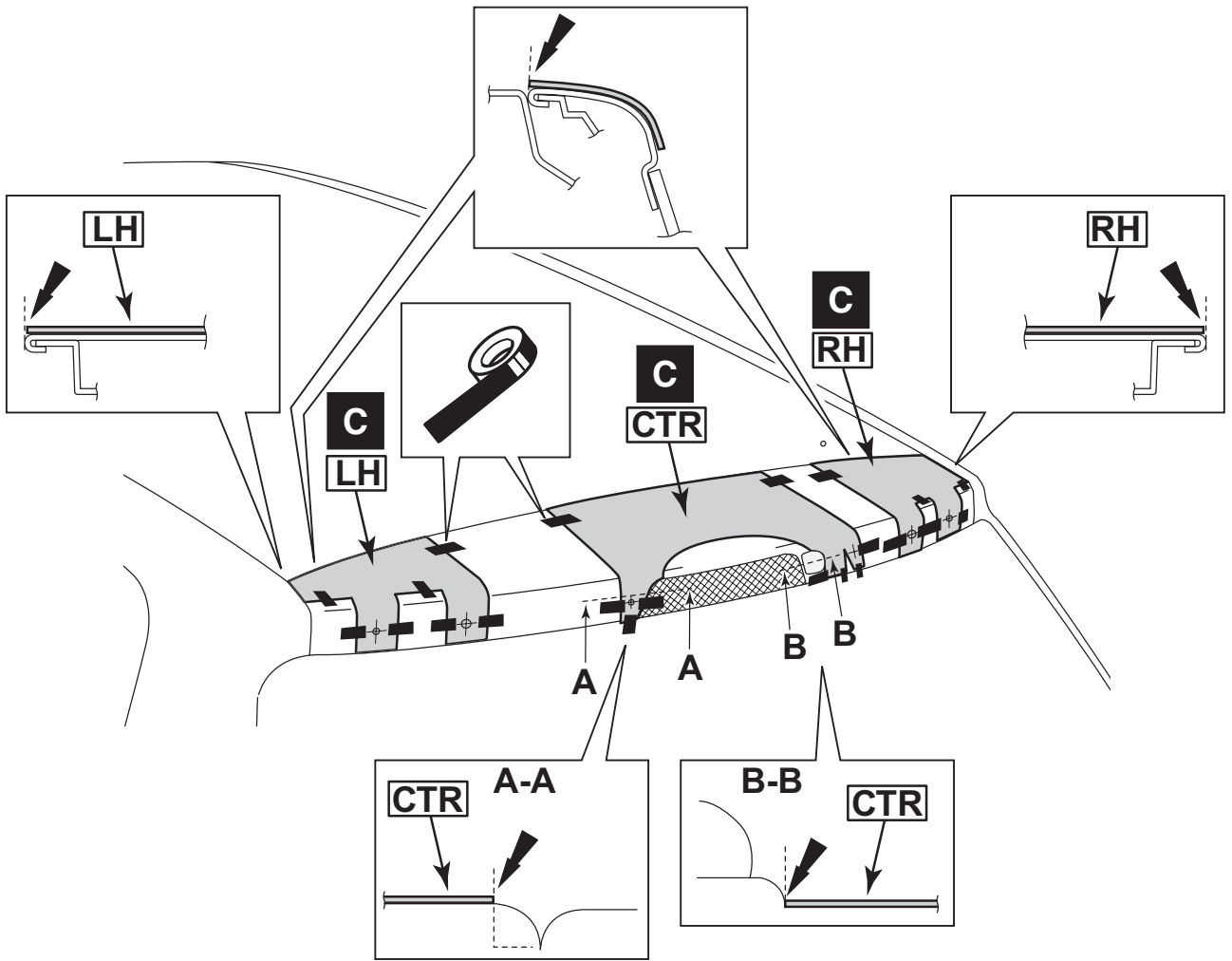
7

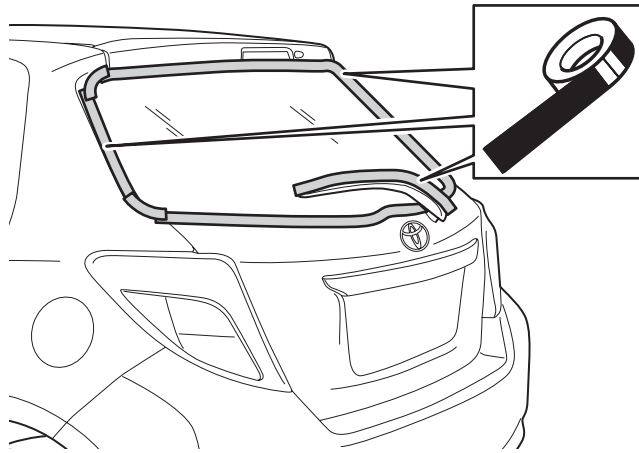


8

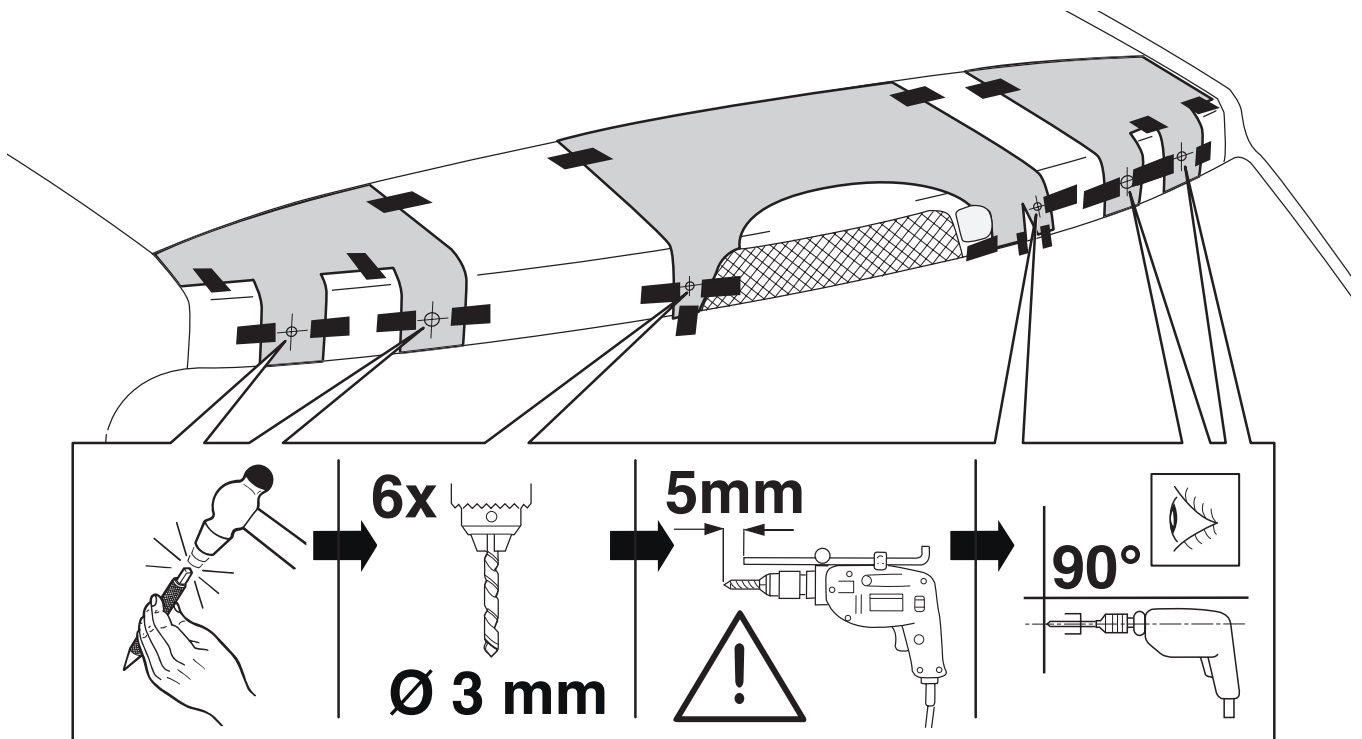


9

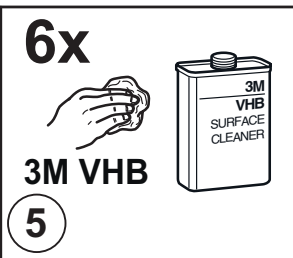
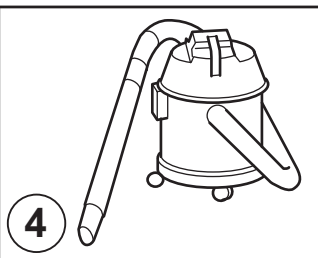
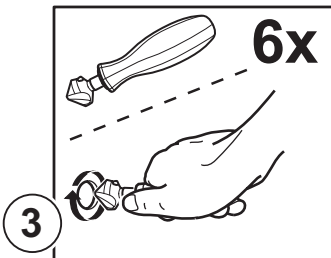
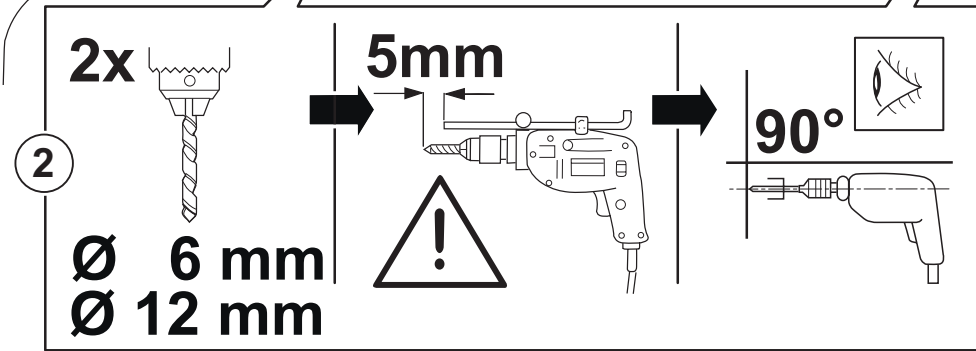
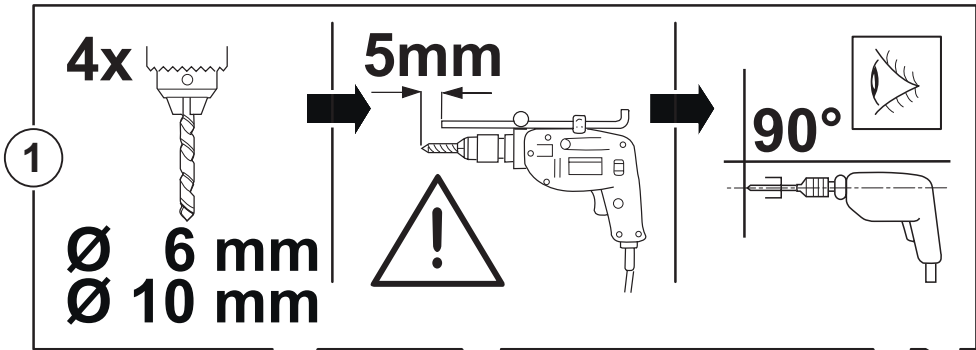


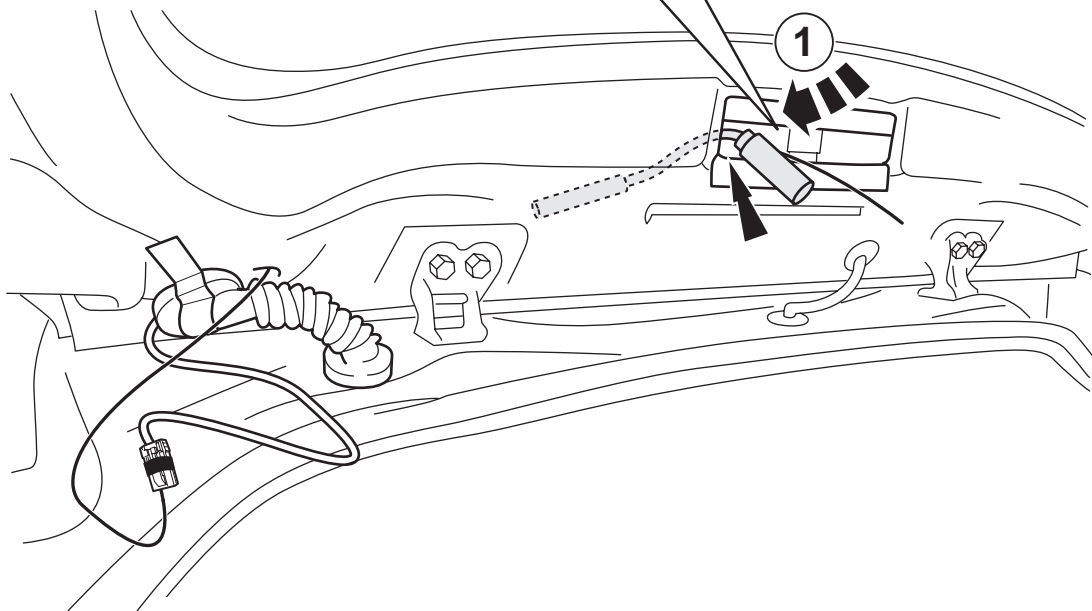
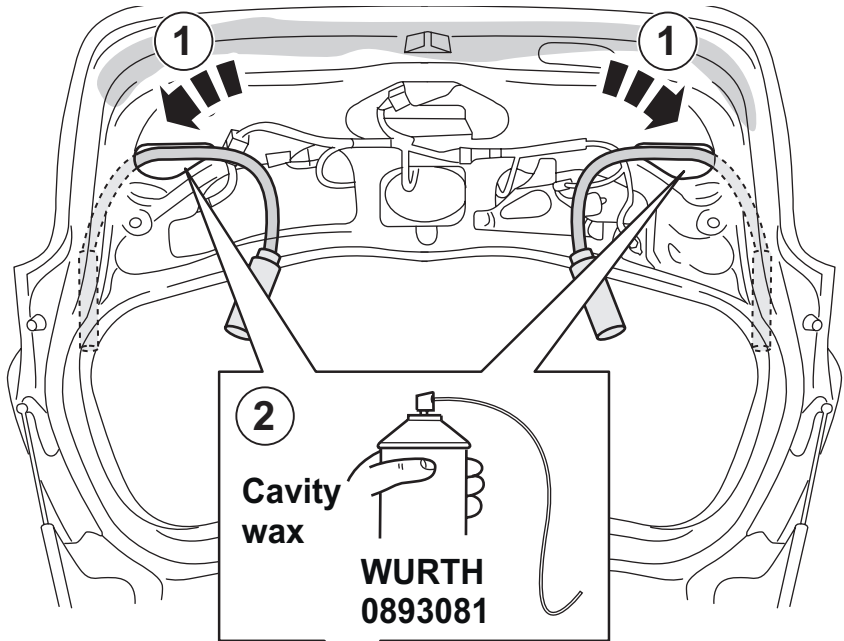
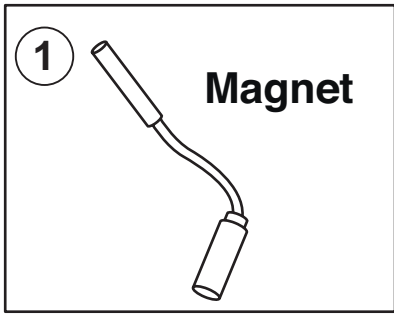


11

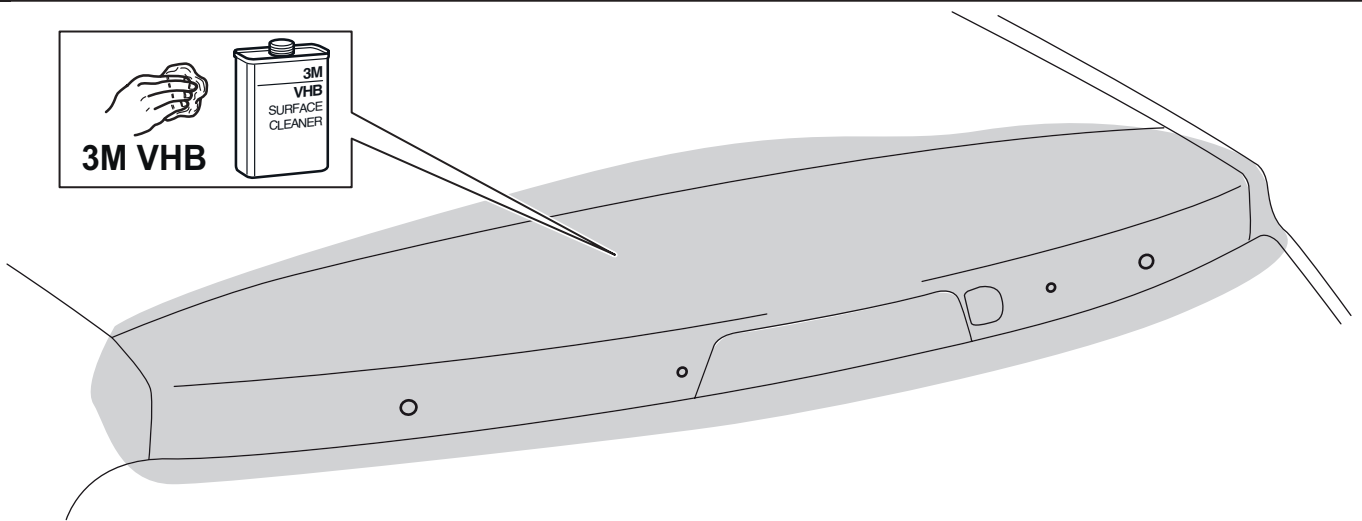
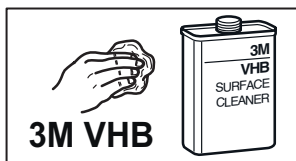


12

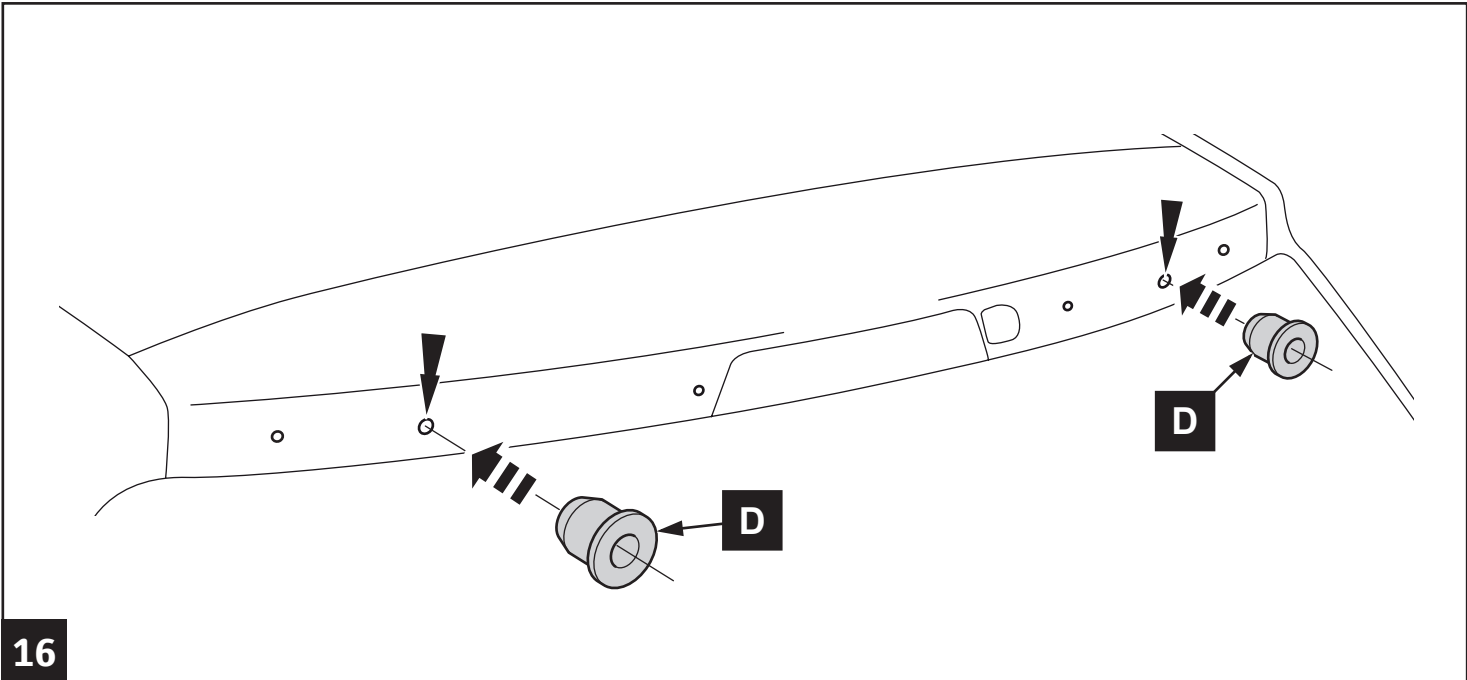




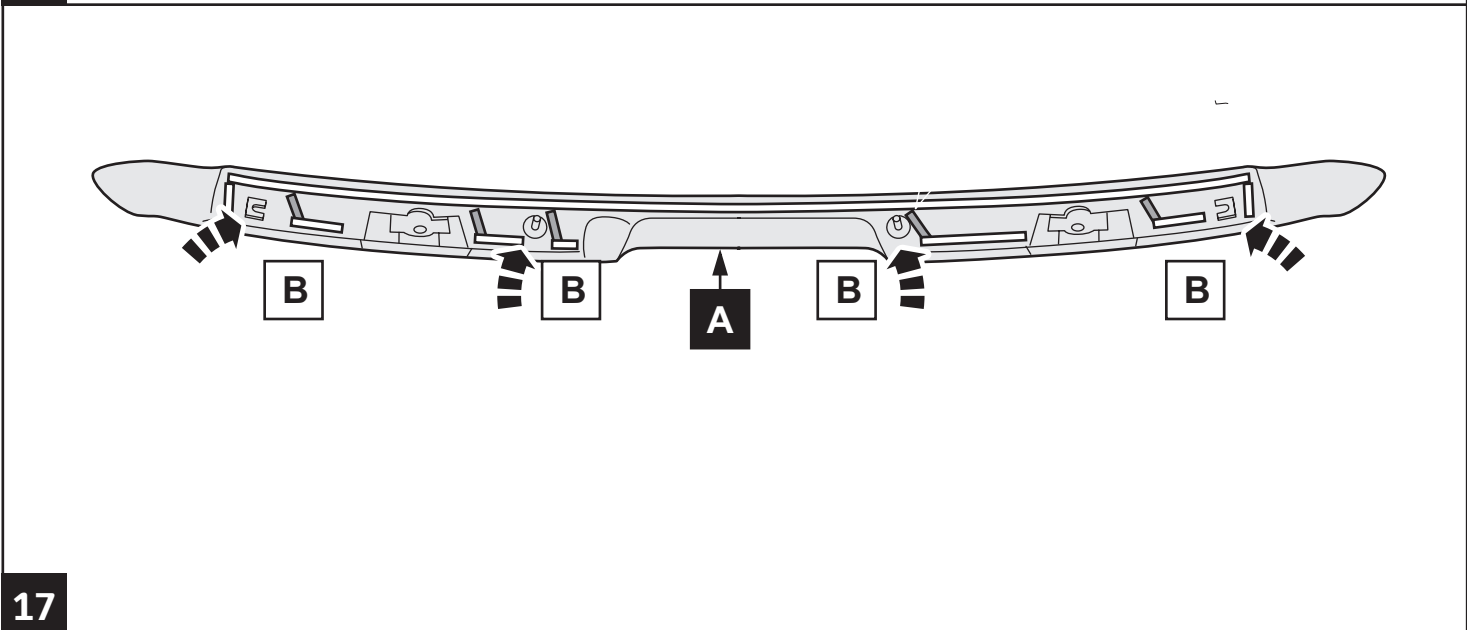
14



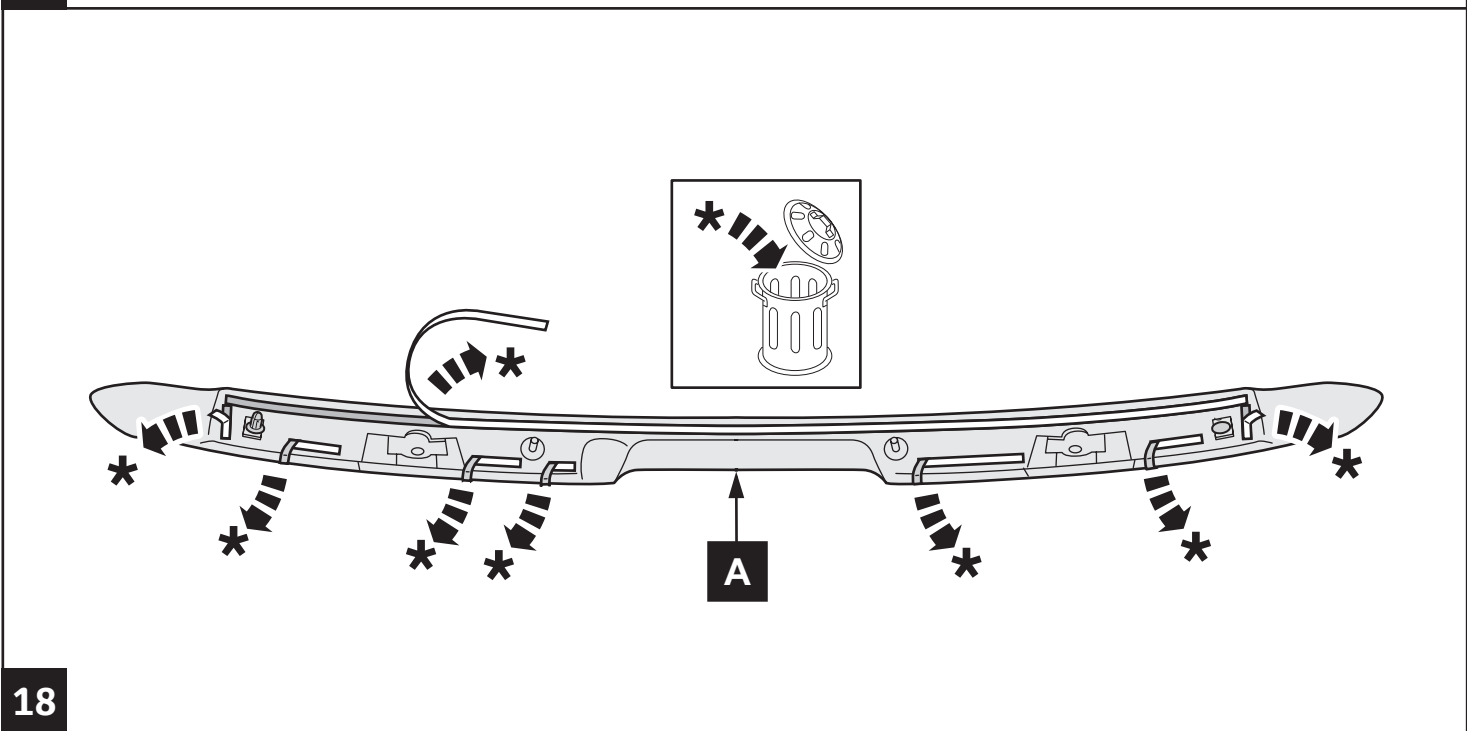
15



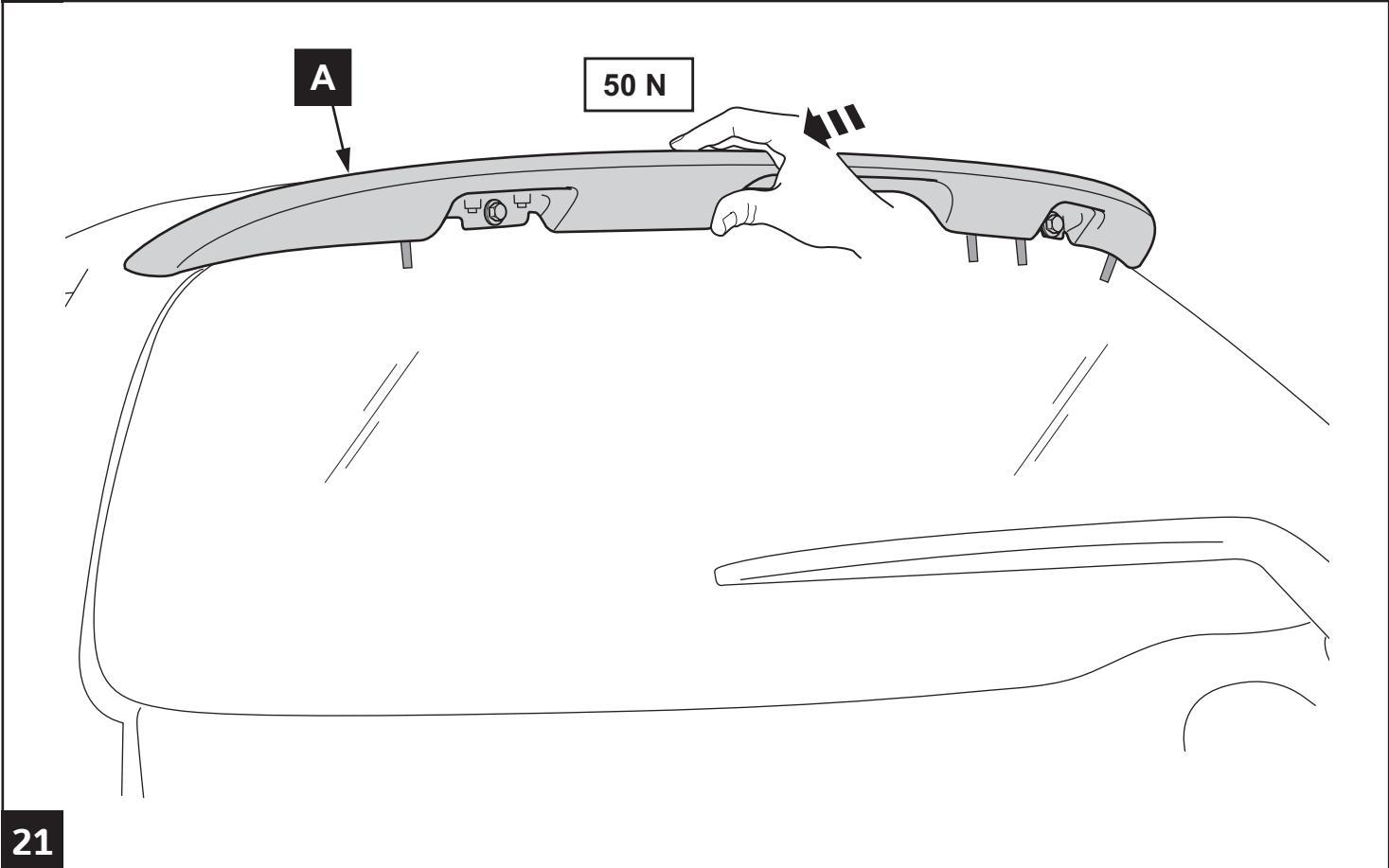
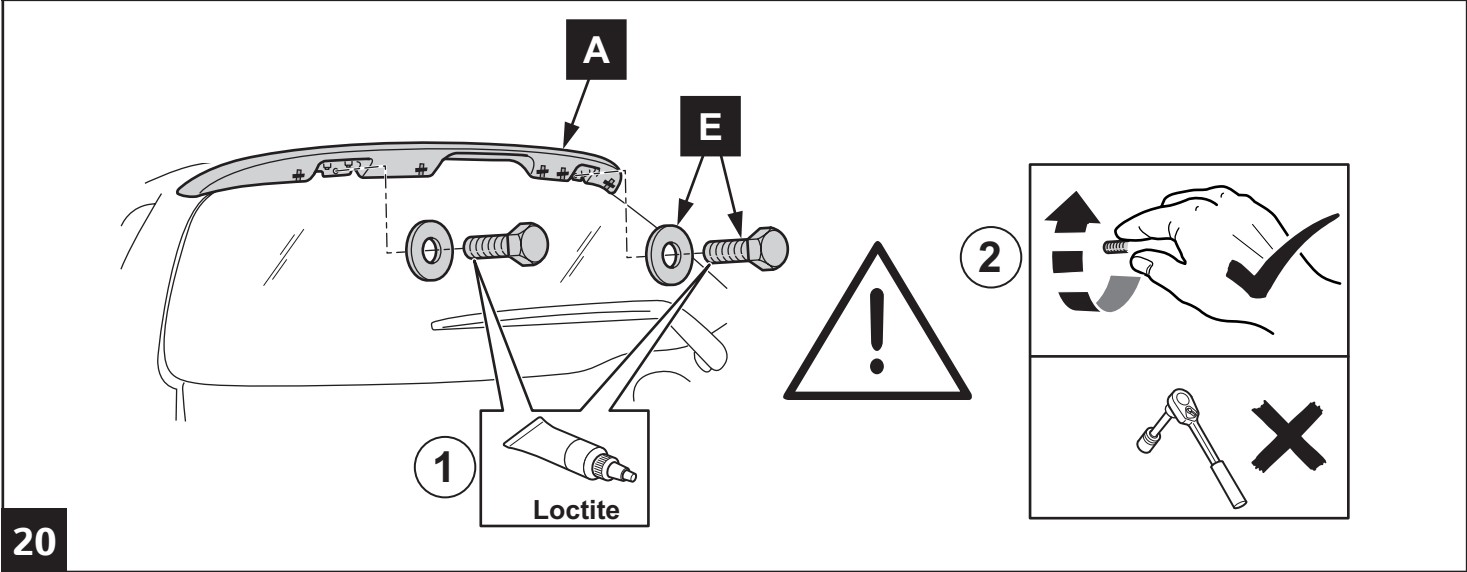
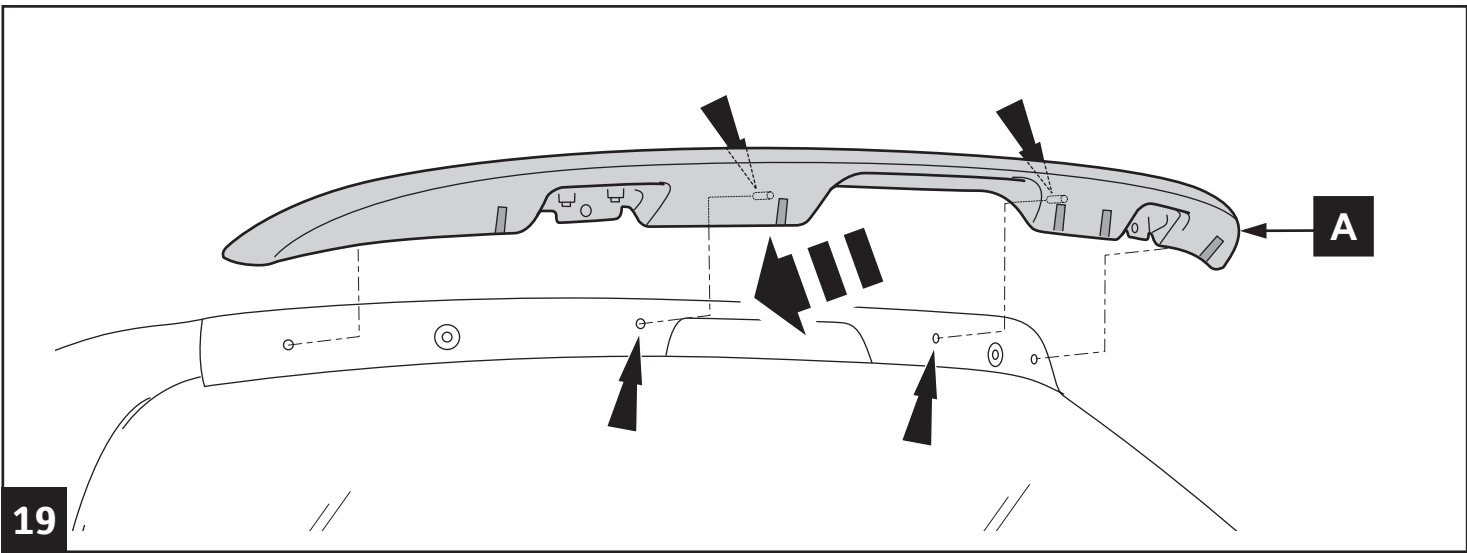
16

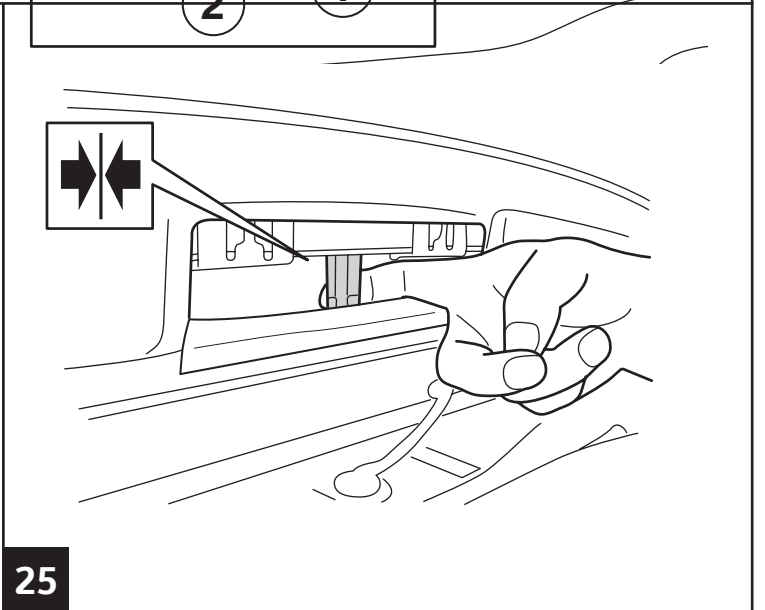
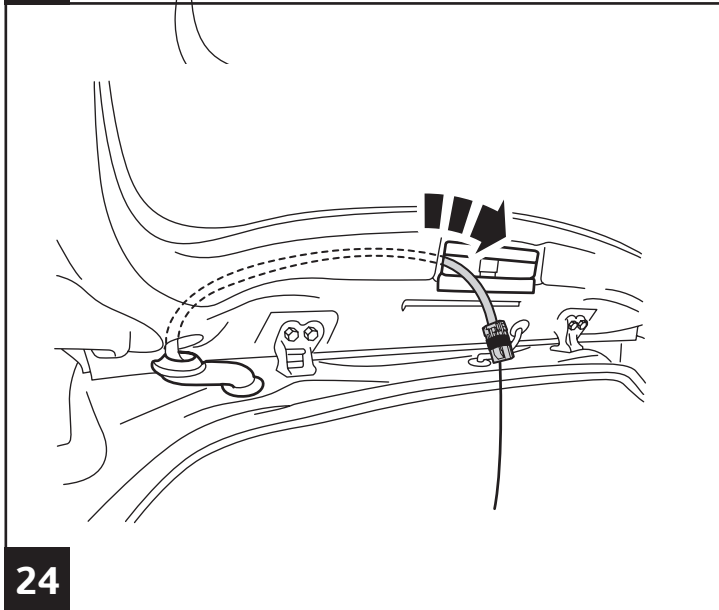
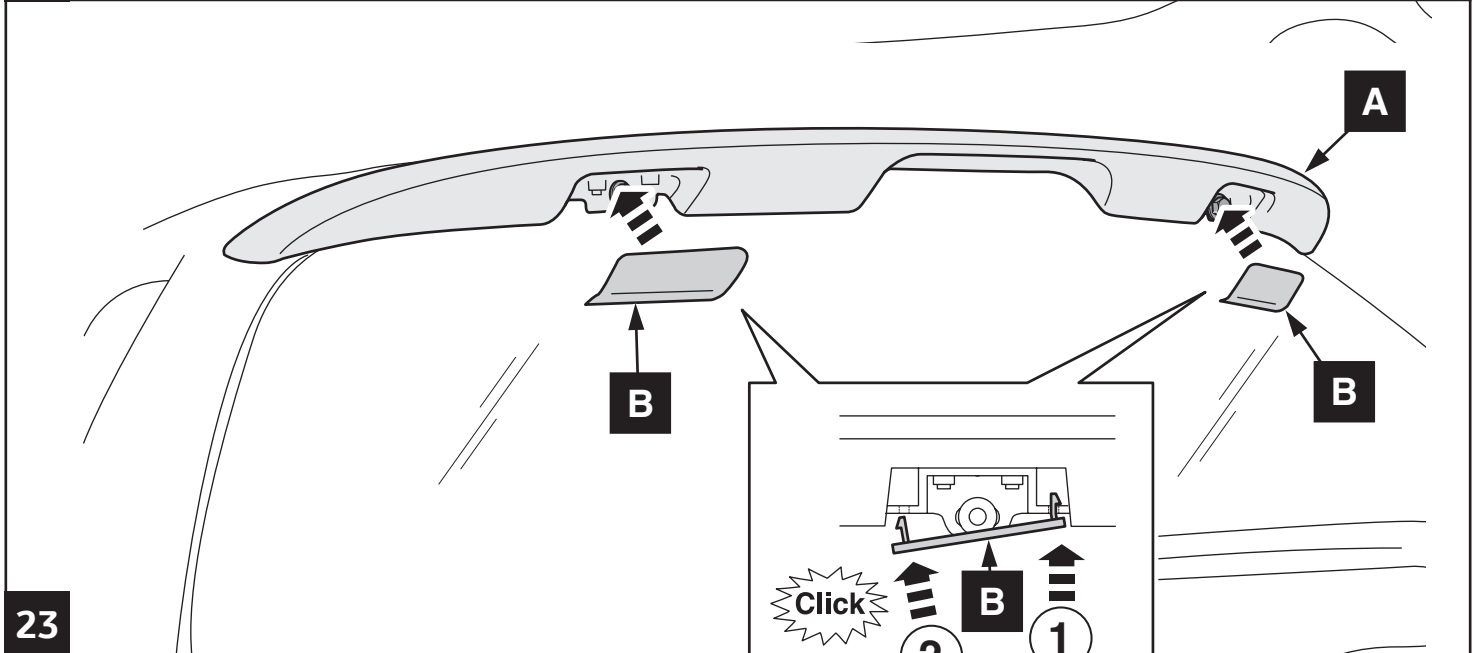
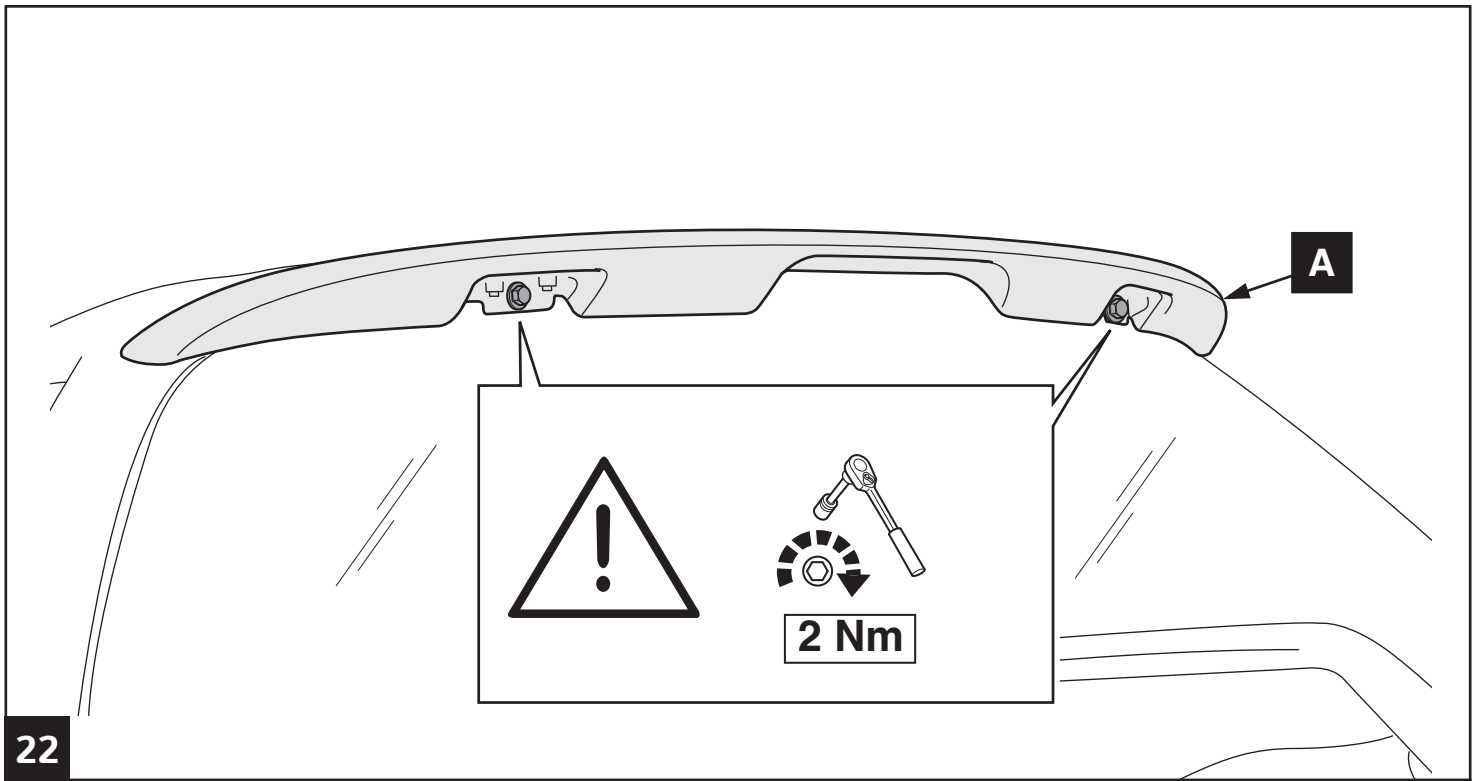


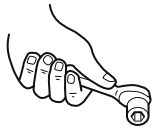
17



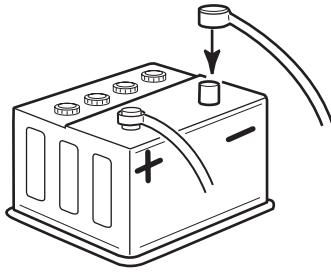
18



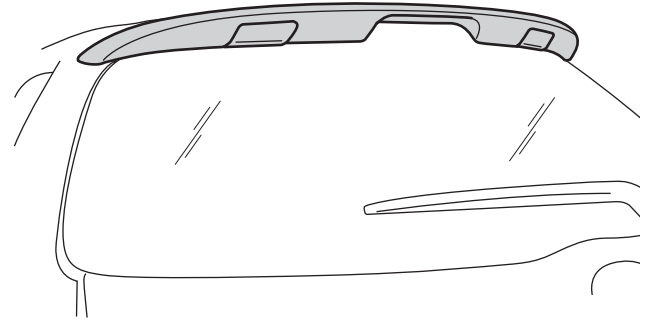




2.9-7.8 Nm



26



27

CHECK SHEET



TOYOTA

Model / Year **Yaris**
2011/07, 2014/07

Roof Spoiler

VIN n°

ALWAYS A BETTER WAY

P/N = OK

40°C

18°C

CLEANER

Anti rust

Cavity wax

WURTH
0893081

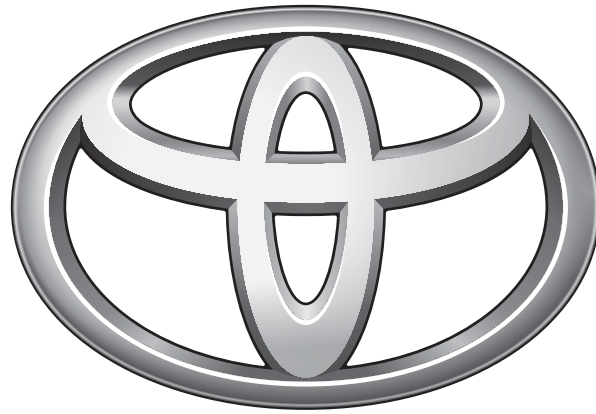
Loctite

= OK

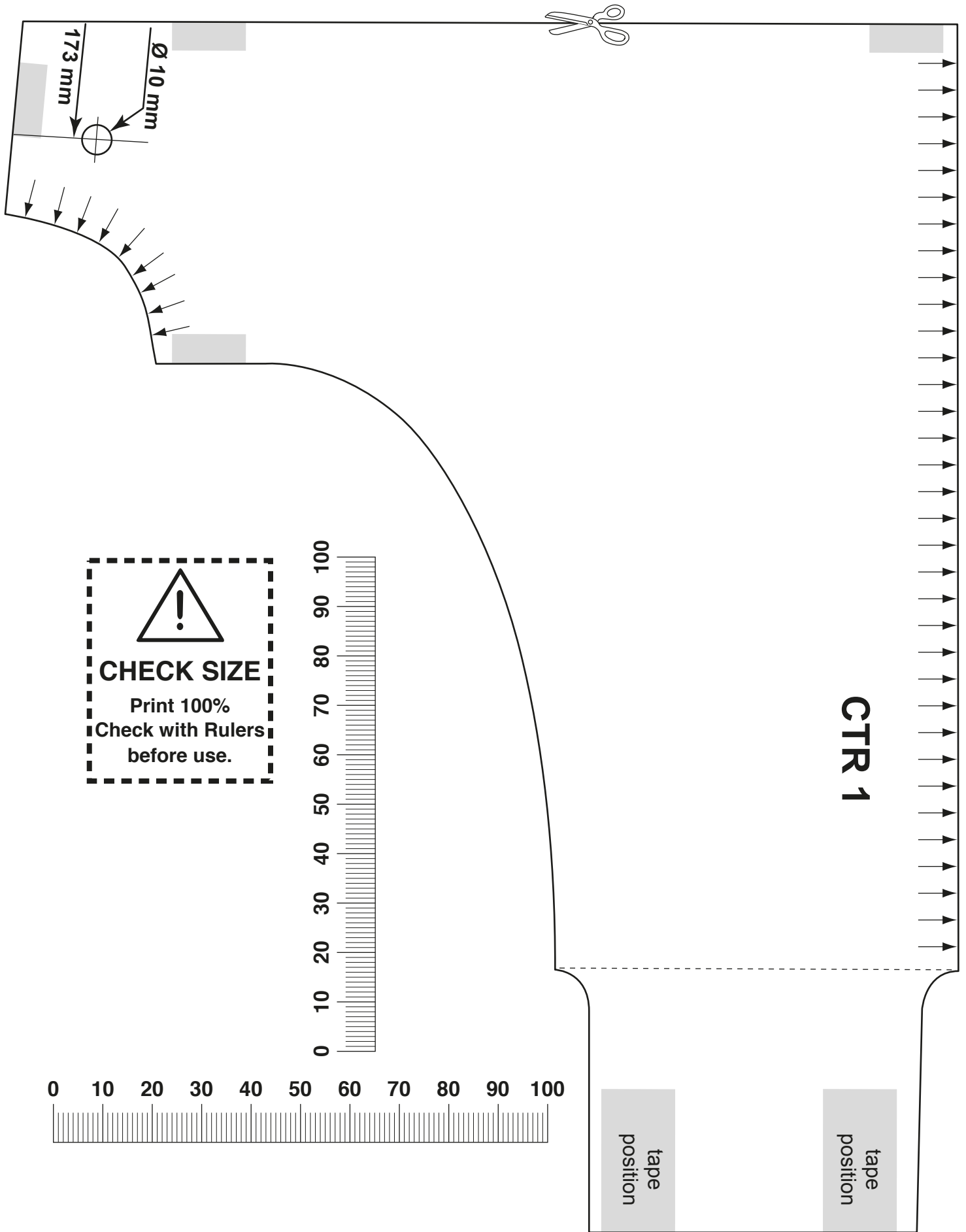
Installation Date:
... / ... / ...

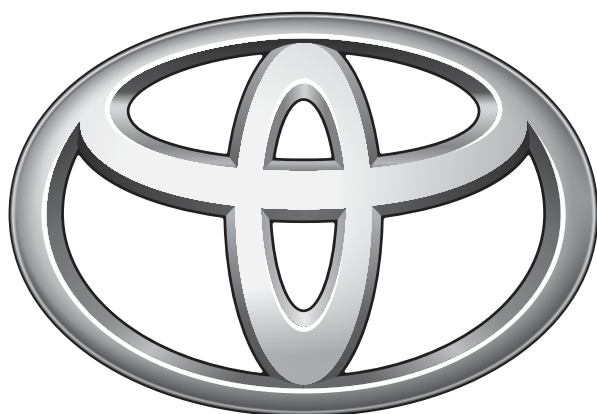
Technician Name & Signature:

Stamp:

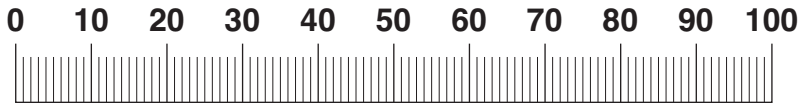


TOYOTA

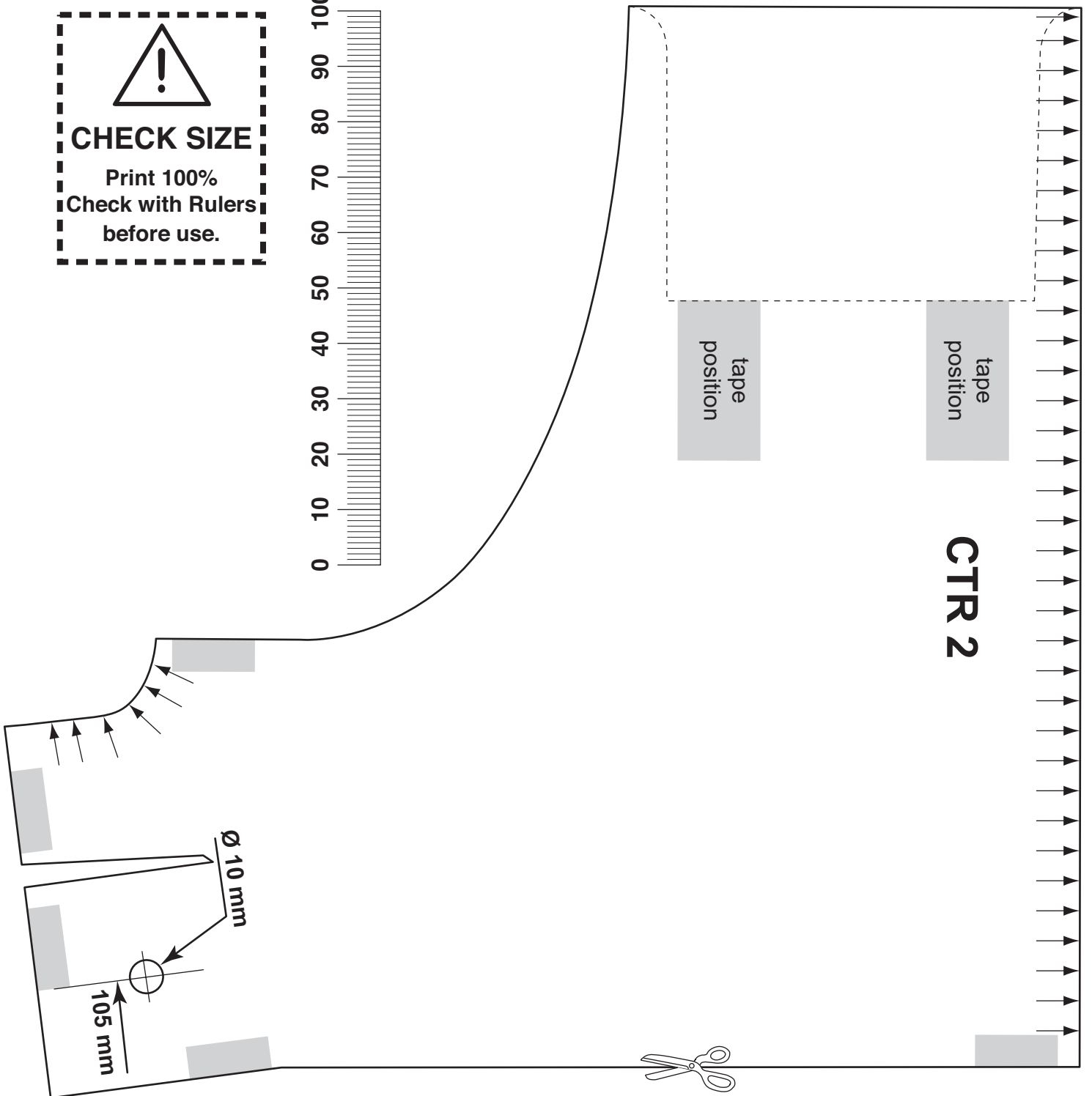
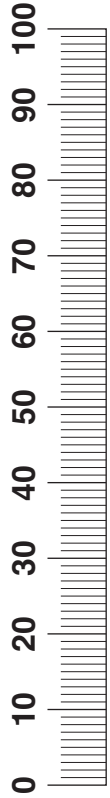


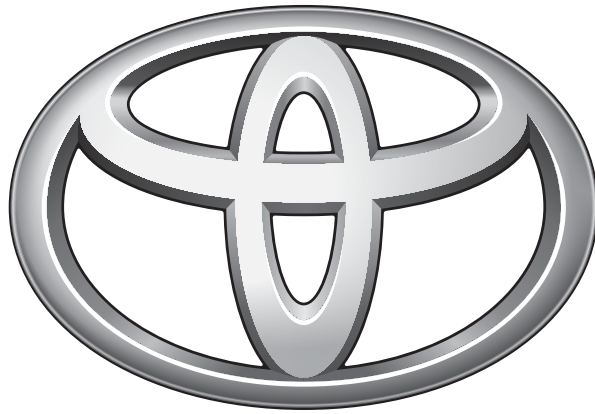


TOYOTA



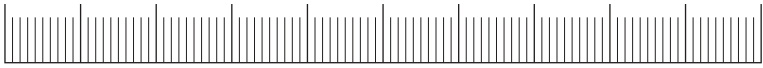

CHECK SIZE
Print 100%
Check with Rulers
before use.



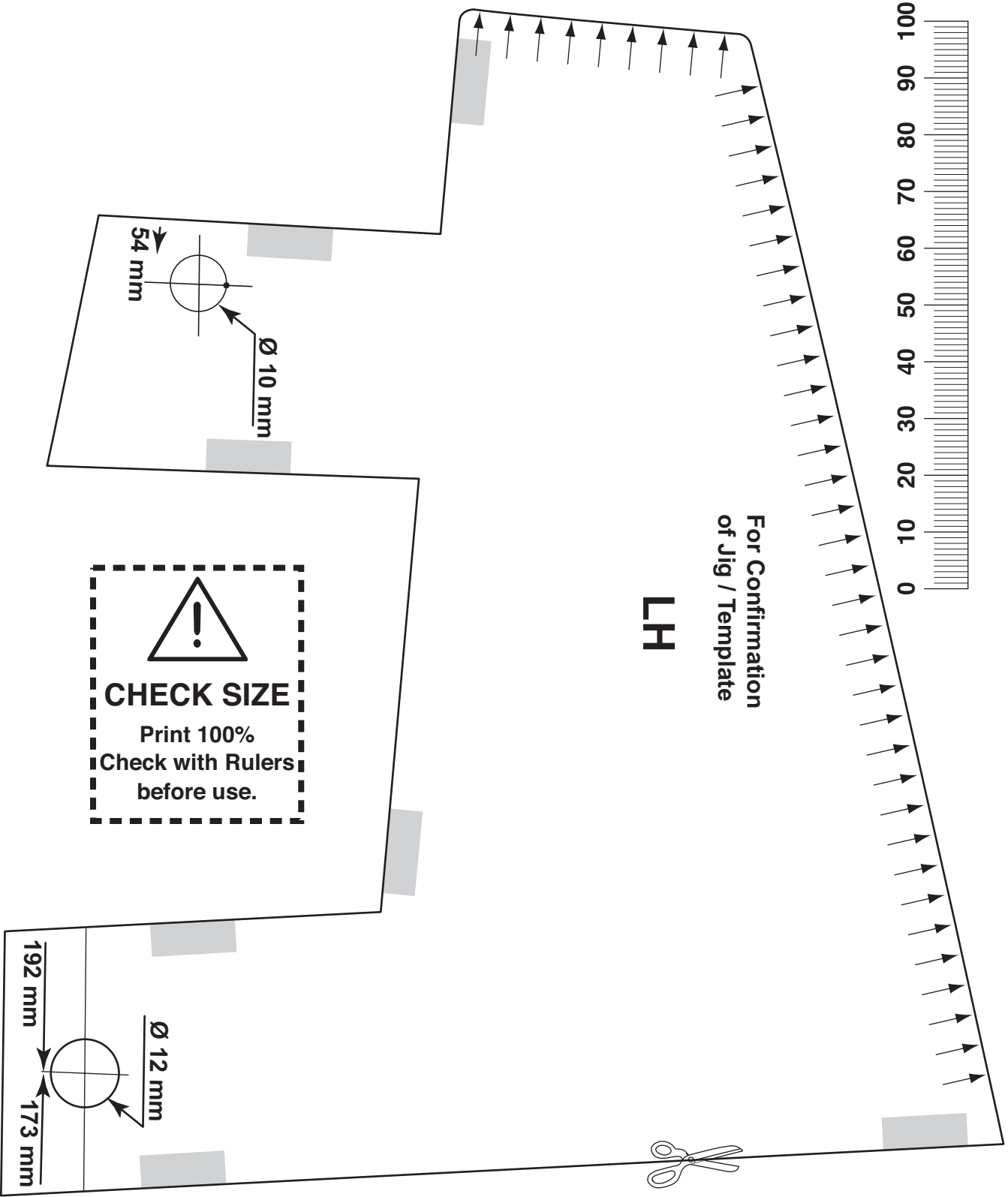
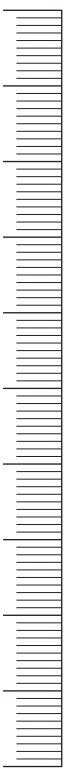


TOYOTA

0 10 20 30 40 50 60 70 80 90 100



0 10 20 30 40 50 60 70 80 90 100

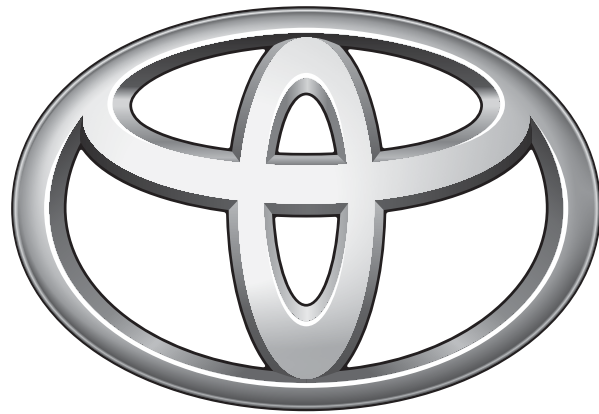


!
CHECK SIZE
Print 100%
Check with Rulers
before use.

54 mm
Ø 10 mm

192 mm
173 mm
Ø 12 mm

LH
For Confirmation
of Jig / Template



TOYOTA

