



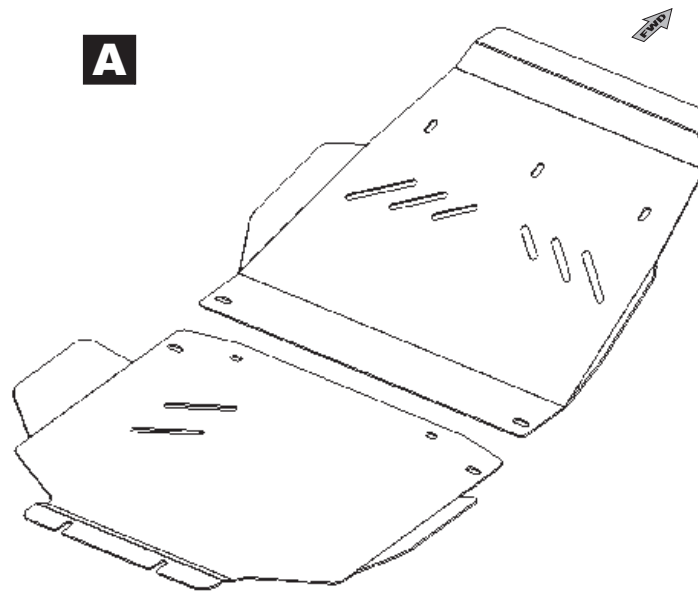
Installation instructions for PZ4AL- 01270- 00, PZ4AL- 01275- 00
Under Run Protective Shield

LEXUS LX 570

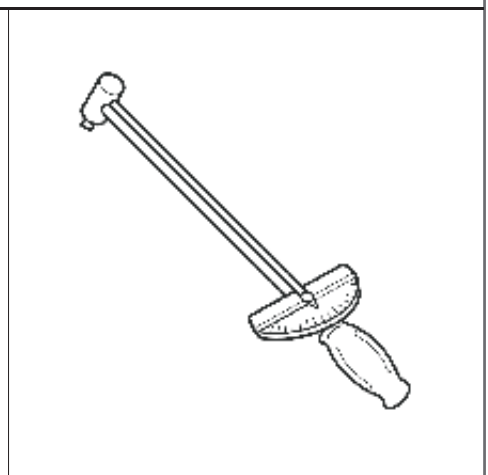
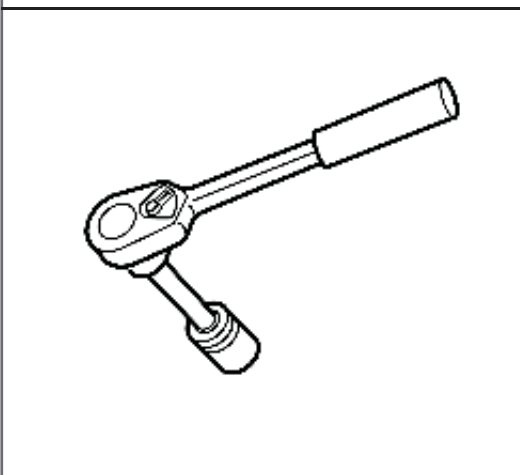
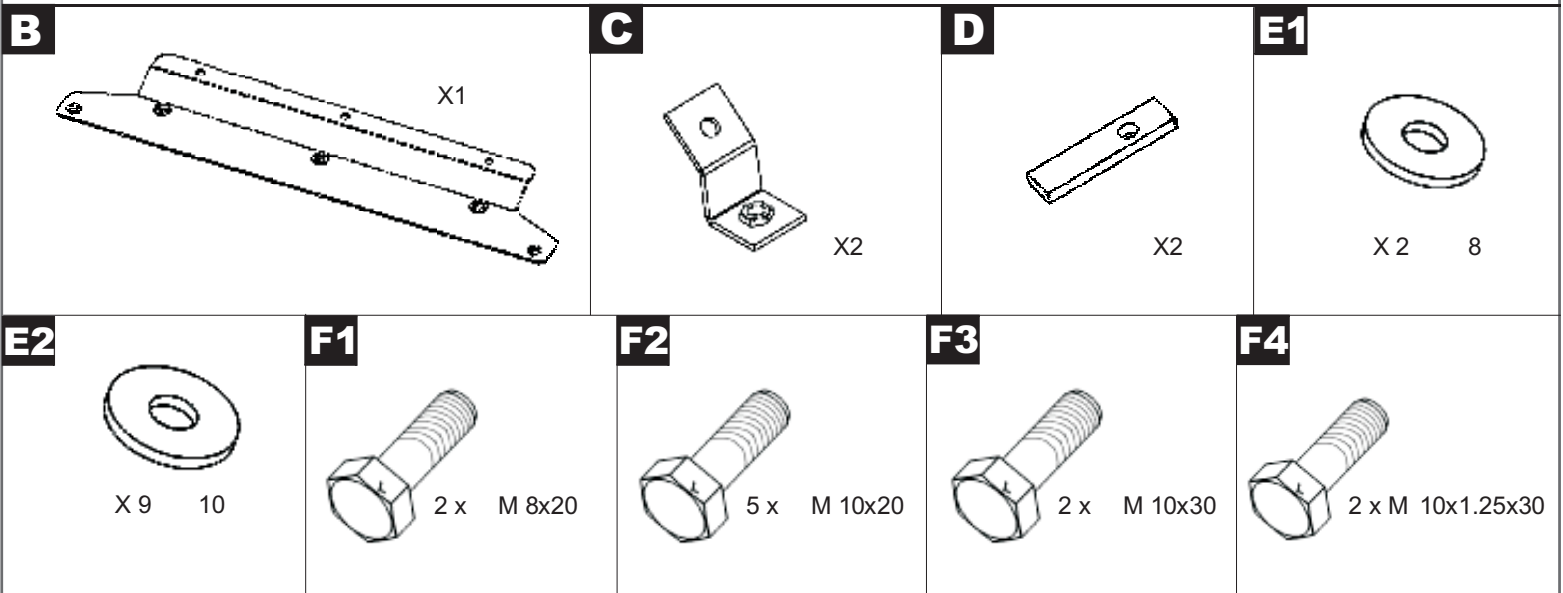
Toyota Land Cruiser 200

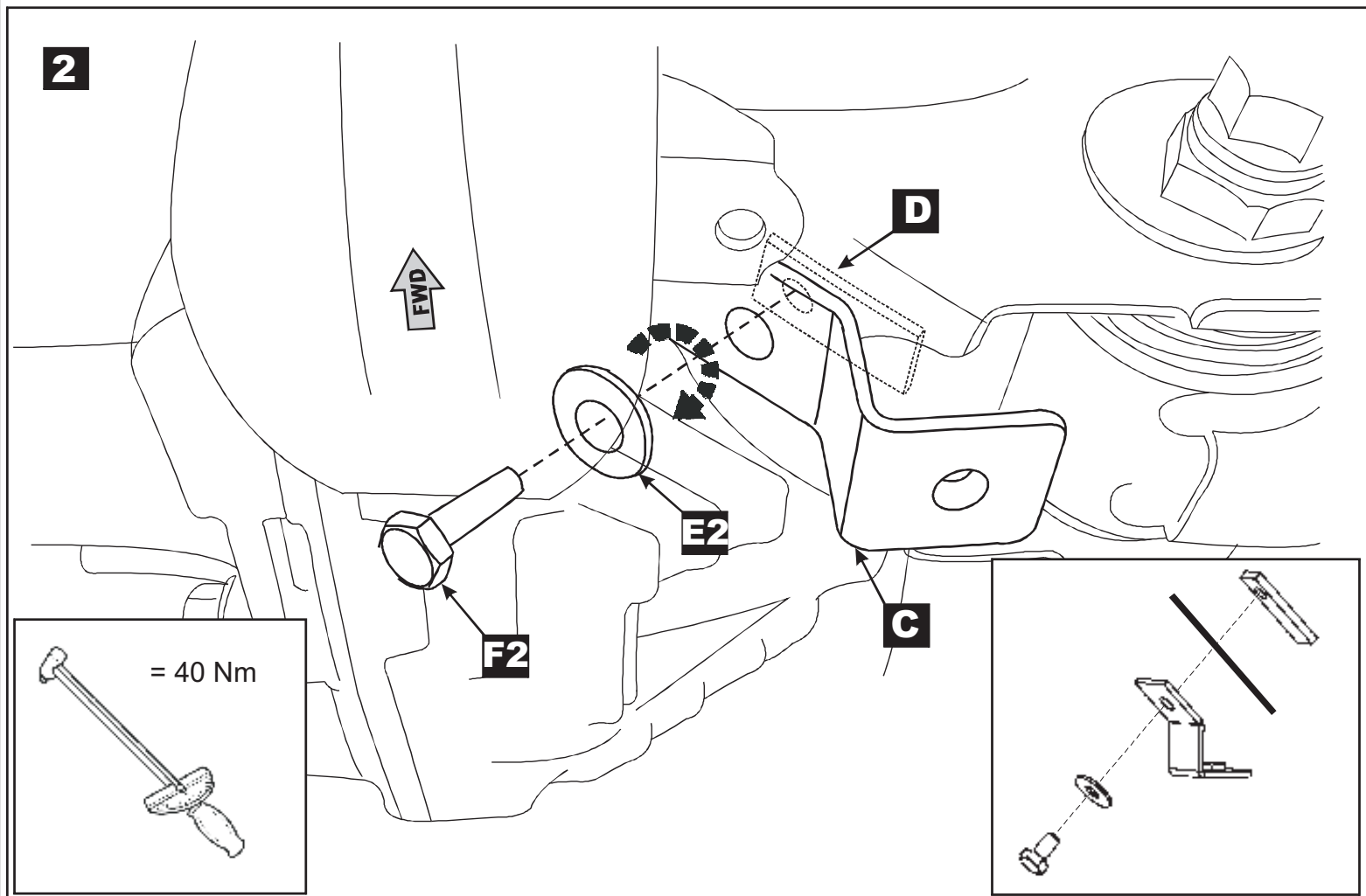
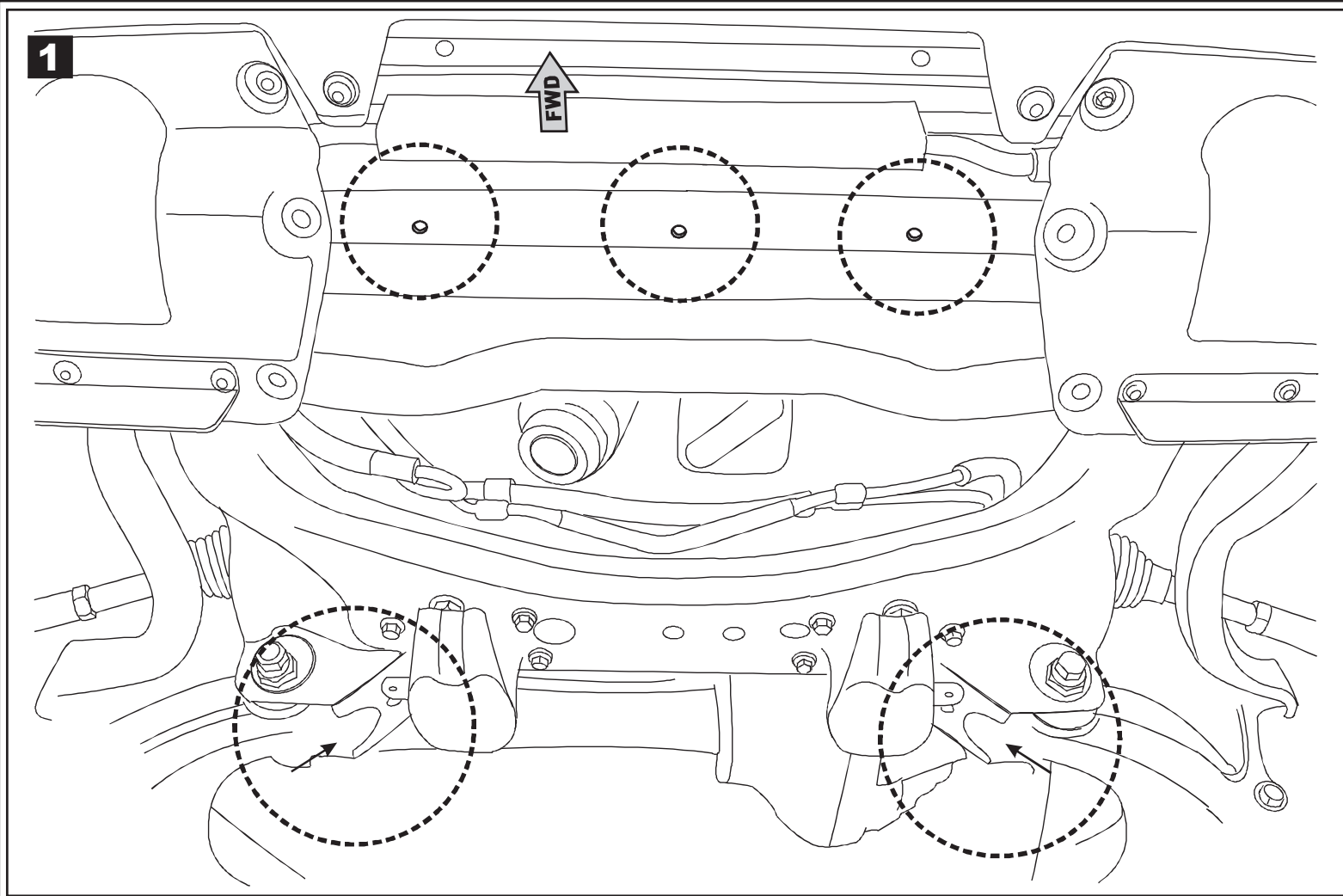


Model Year	LX570 - 2007	LC200 - 2007
Vehicle Code	URJ201-Gxxxxx	UZJ200L - Gxxxxx; VDJ200L - Gxxxxx
Part Number		Steel: PZ4AL- 01270- 00 Aluminium: PZ4AL- 01275- 00
 Weight		Steel: 20.3 Kg Aluminium: 13 Kg
 Installation Time		30min
Manual reference number		AIM 001-097-1

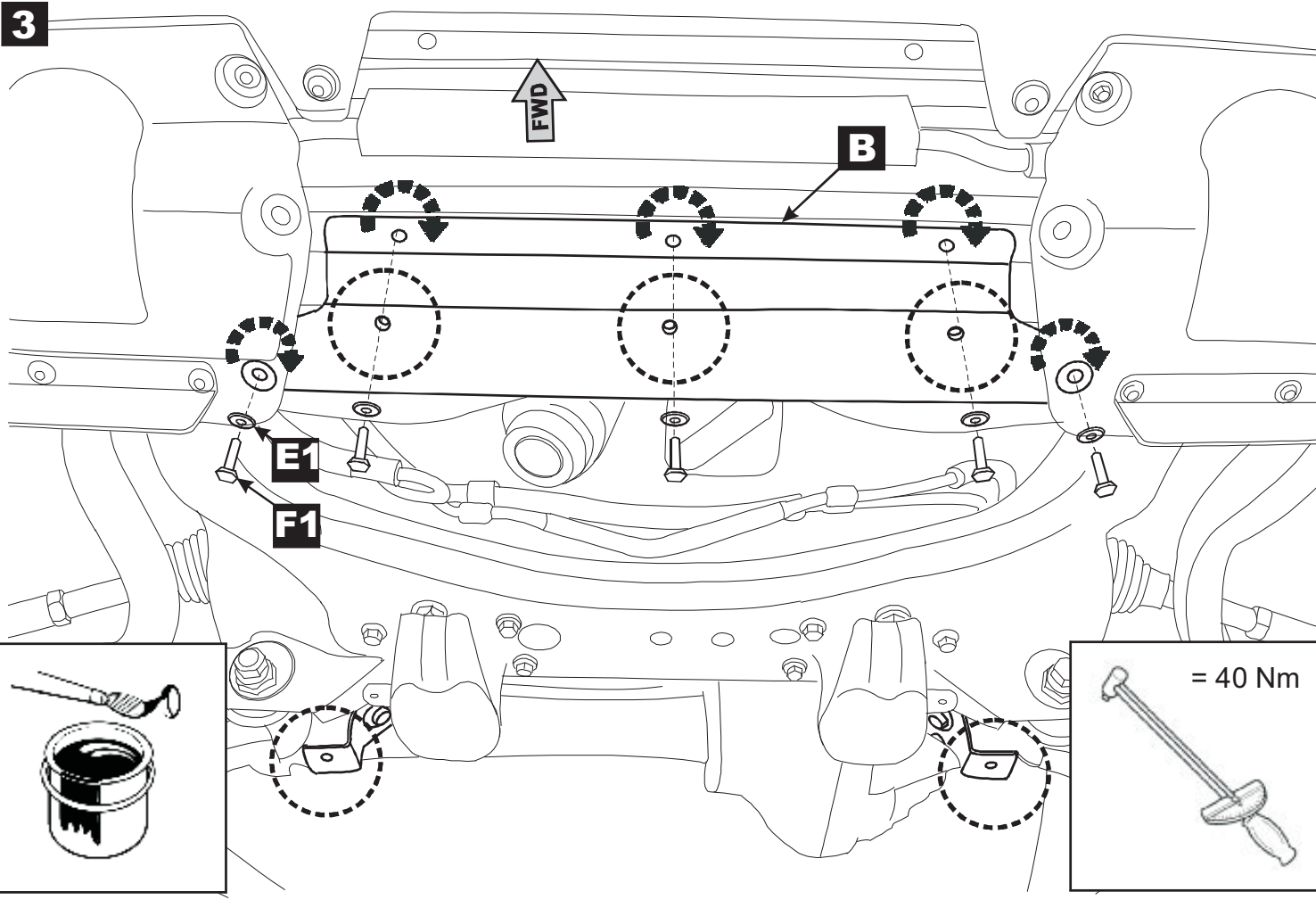


PZ4AL-01275-60





3



4

