

# GS 300, GS 450h, GS 460

Alloy Wheels

Installation instructions



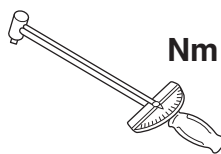
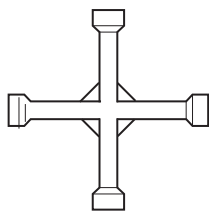
Model year: 2007  
Vehicle code: \*\*S19\*\*-BE\*QHW  
Part number: 08457-30120  
08457-30813  
08457-30815




Manual reference number: AIM 001 100 -0

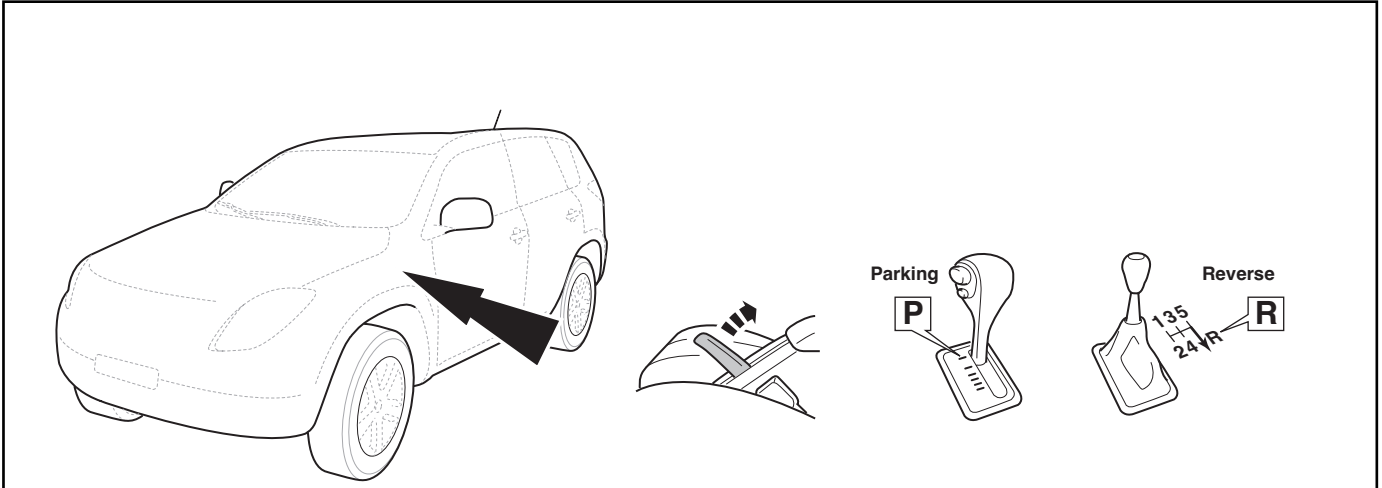
# Revision Record

Rev. No.	Date	Page	Picture	Update	New	Deleted Steps

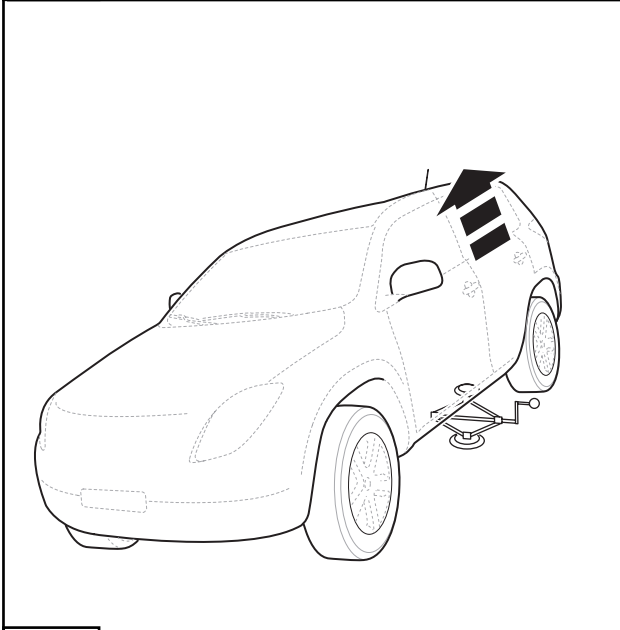
Large empty rectangular area for detailed revision notes or descriptions.



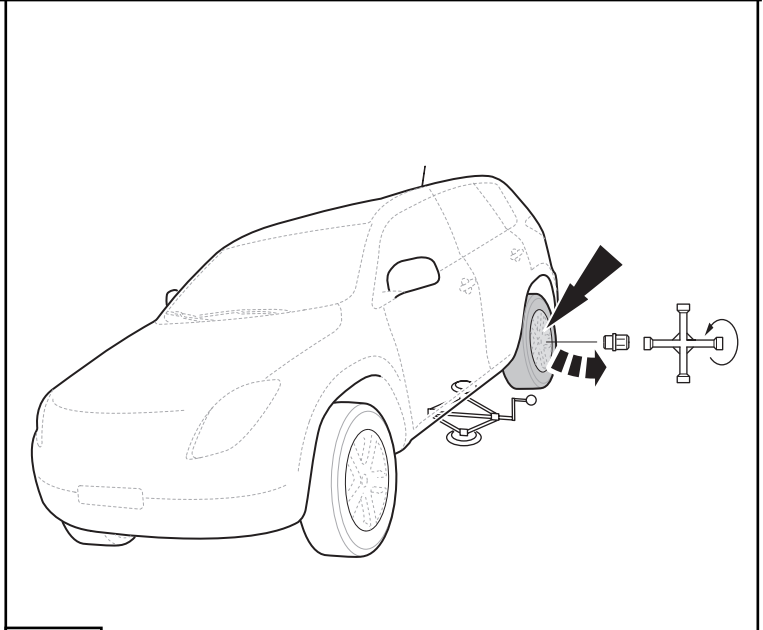
Kit	P/N			Wheel rim size					Tire size	Styling	Weight (kg)	
	Wheel	Center ornament	Nut	Dia.	Width	e	Hole	Offset				PCD
08457-30815	08457-30816	08402-30801	90942-01033	18	8	J	5	45	114,3	245/40R18		12,37
08457-30813	08457-30812	42603-30590		18	8	JJ	5	45	114,3	245/40R18		11,95
08457-30120	08457-30120	42603-30590		18	8	JJ	5	45	114,3	245/40R18		12,57



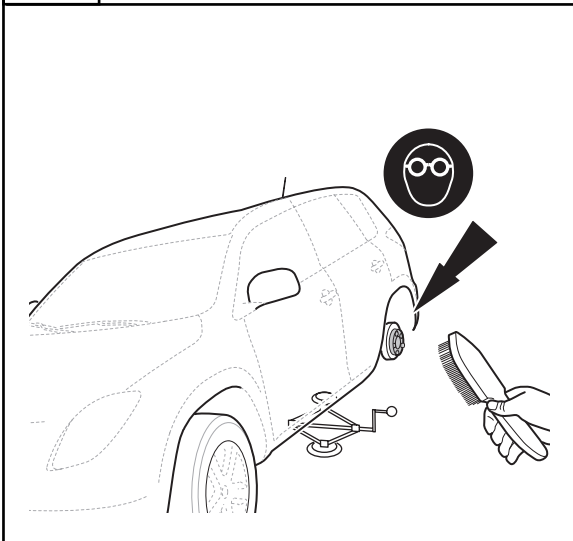
**1**



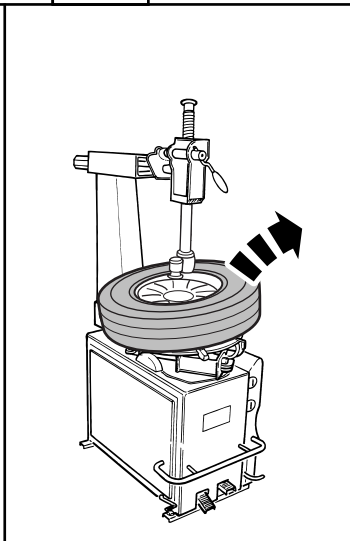
**2**



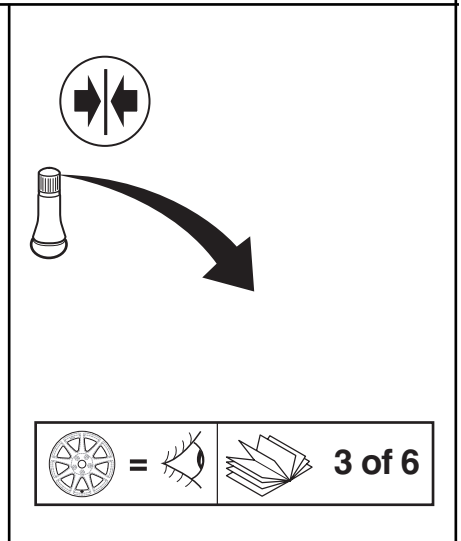
**3**



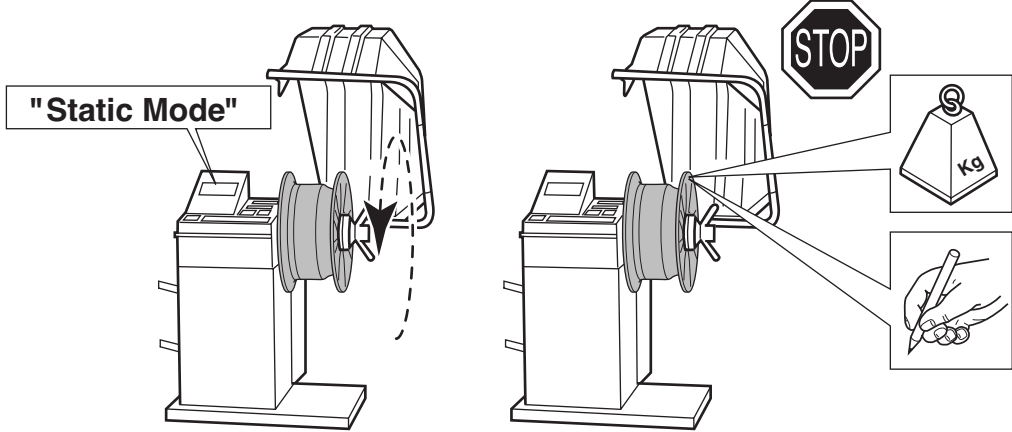
**4**



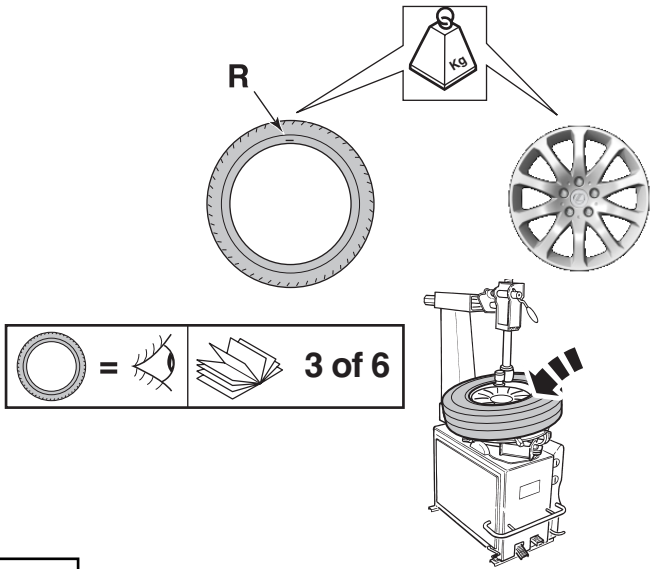
**5**



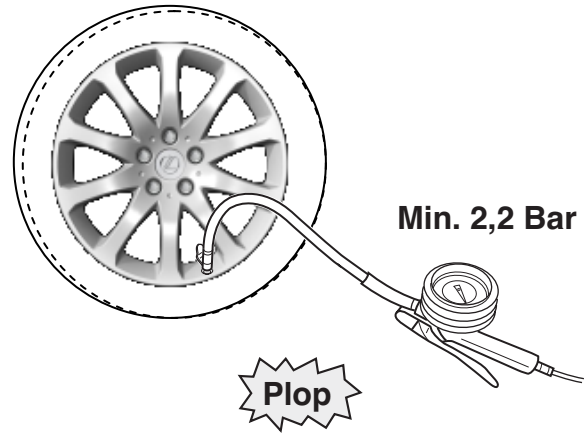
**6**



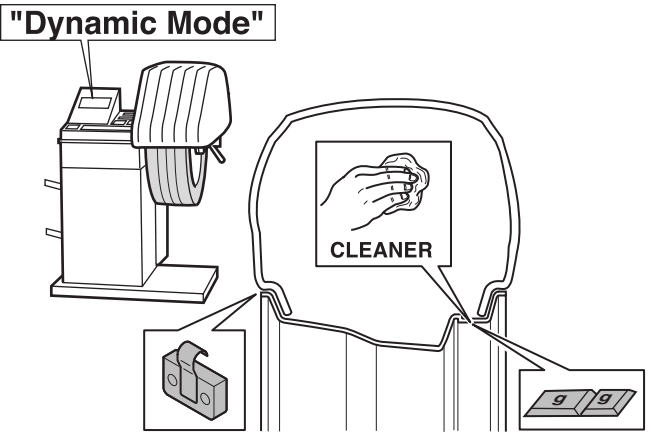
7



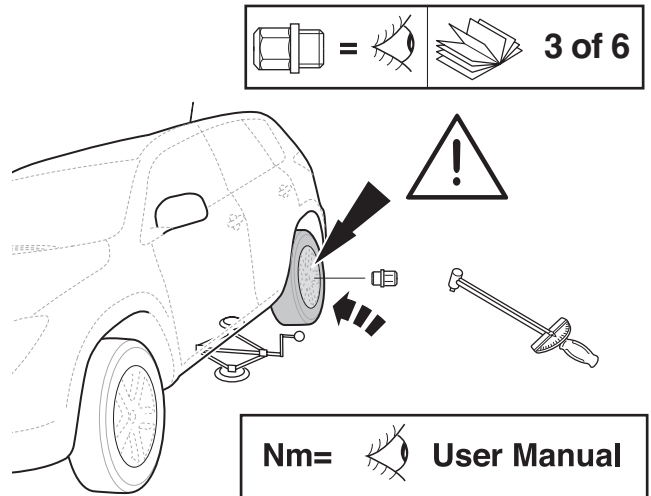
8



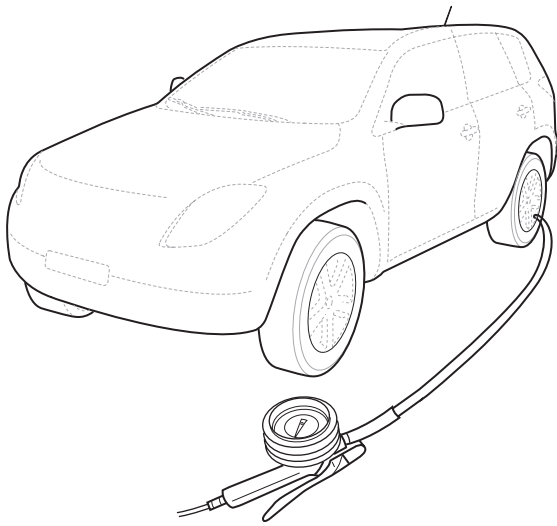
9



10



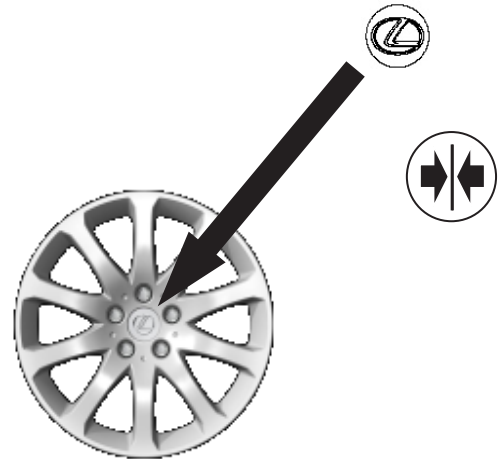
11



12

$P_{max}$  =  User Manual

 =   3 of 6



13