

TOYOTA

Auris

AUDIO

LHD installation instructions



Model year: 2006

Vehicle code: **E15**-*G****W / **E15**-*H****W

Part number Audio:

- Hide-Away CD-Changer TM0461: 08601-00911
- Audio Conversion wire: 08695-00370

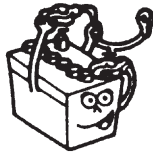
Manual ref. n°: AIM 000 818-0

PRECAUTIONS

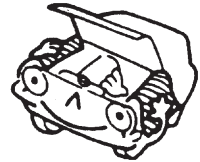


PLEASE READ THOROUGHLY THESE PRECAUTIONS BEFORE THE INSTALLATION

- Be sure to disconnect the negative (-) lead from the battery terminals.



- Protect your car with fender covers, seat and so on.



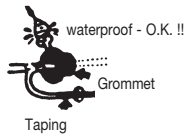
- Do not pinch the rear wiring or harness in the tightened part.



- Use the correct tool when tightening bolts or nuts.



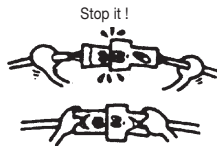
- When passing the wires through the dashboard or other panels, use a grommet to ensure waterproofing.
- Protect the wiring with tape when it is passed through a hole.



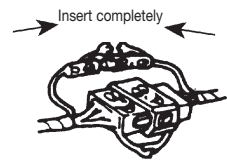
- Before drilling a hole, check that the rear of the mounting wall is clear.



- When disconnecting the connectors, be sure to grip the connector body. Do not tug on the wiring.



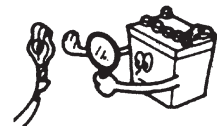
- Be sure to firmly tighten connectors and terminals.



- Do not forcibly pull any car wiring harness. Rough tugging may result in opened connections, or a broken wire or harness.



- Before connecting the power wiring to the battery, check the wiring connections, harness, etc. to see that they are properly secured.



- Confirm that lamps, horn, wiper and other car accessories operate normally.



- Check body and trim near area of installation to be certain no dirt or scratches resulted from the installation.

VEHICLE DISASSEMBLY 

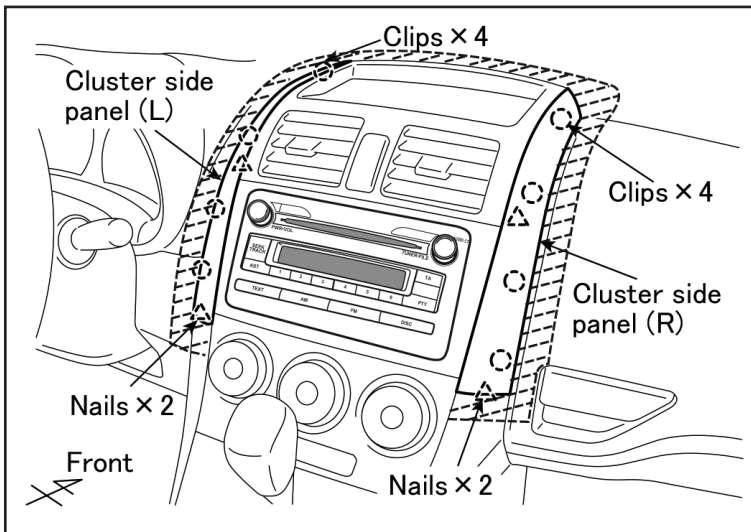


Fig. 1

1.
 - a) Place tape to protect dashboard from scratches.
 - b) Remove the cluster side panel (R) and cluster side panel (L).

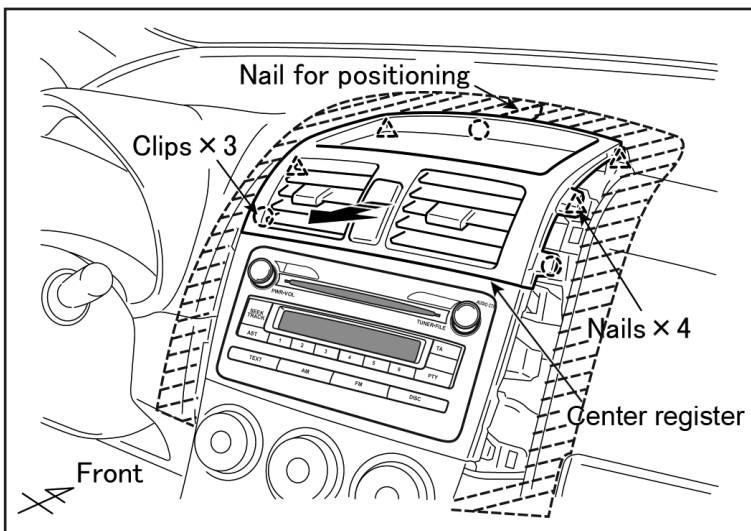


Fig. 2

2. Remove the center register.

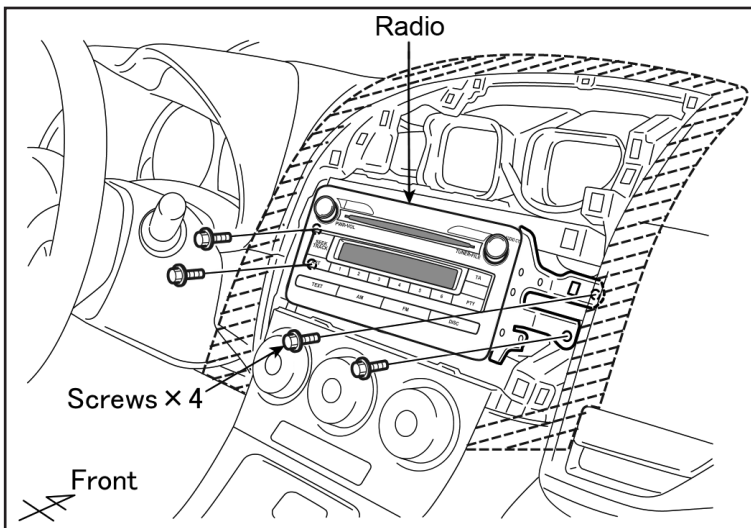


Fig. 3

3. Remove the Audio unit.

- 4. Remove the under cover (R).

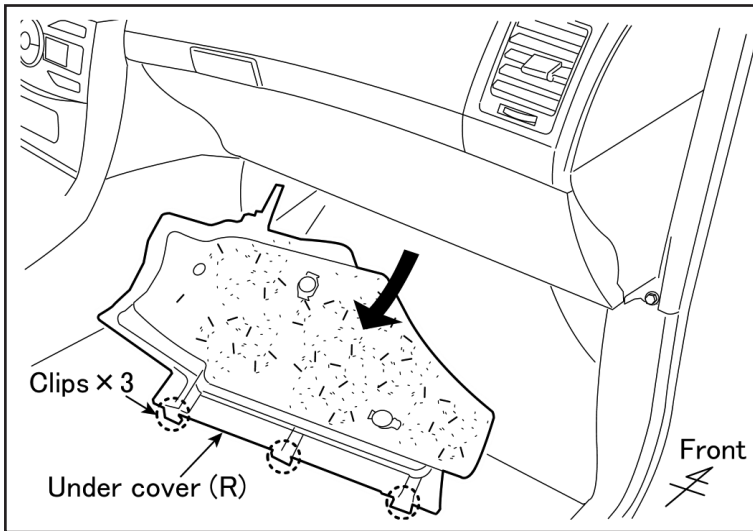


Fig. 4

- 5. Remove the glove compartment.

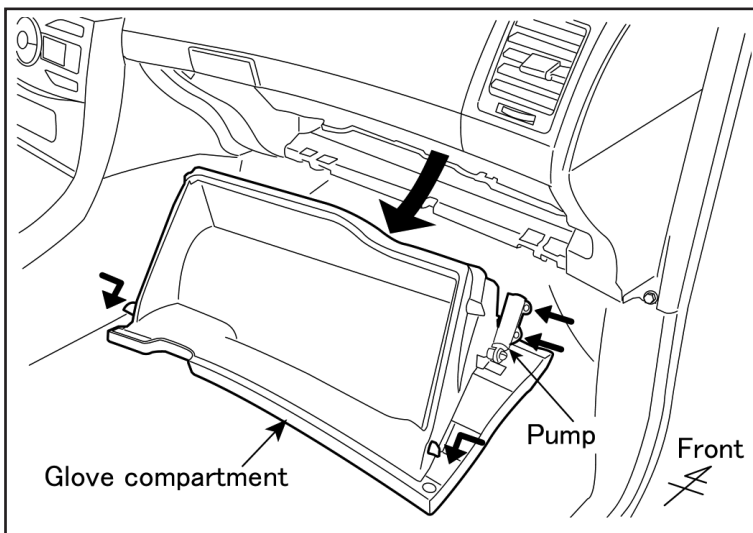


Fig. 5

- 6. Place tape (shaded area) to protect side cover from scratches. Remove the side cover (R).

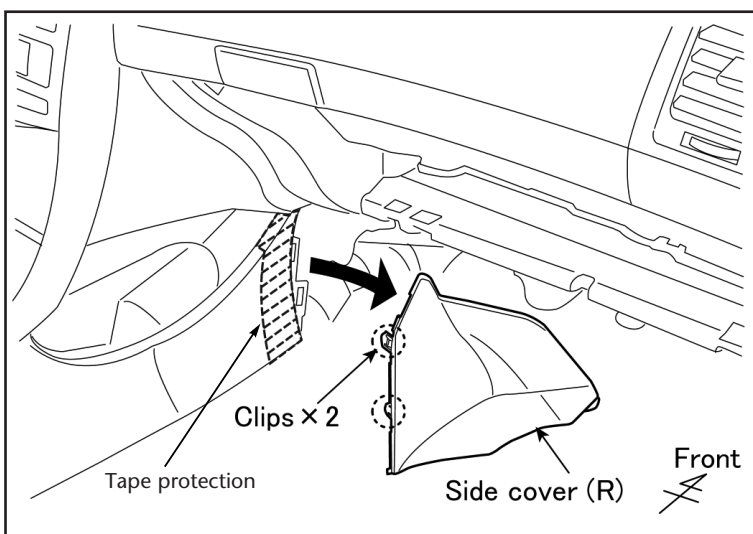


Fig. 6

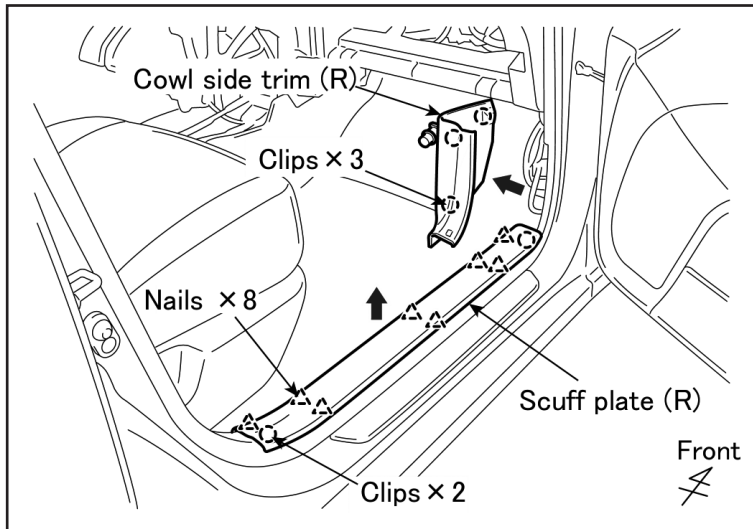


Fig. 7

7. Remove the cowl side trim (R) and scuff plate (R)

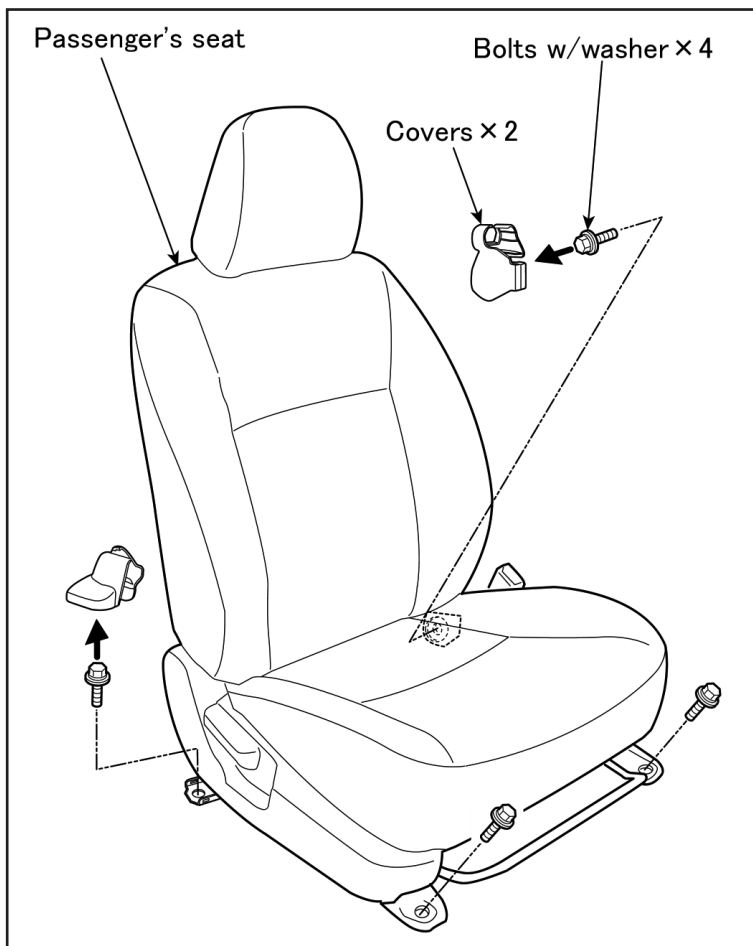


Fig. 8

8.
 - a) Remove the passenger's seat.
 - b) Remove the under seat tray

CAUTION:
Fasten the bolt with specified torque when reassembling. T = 37Nm

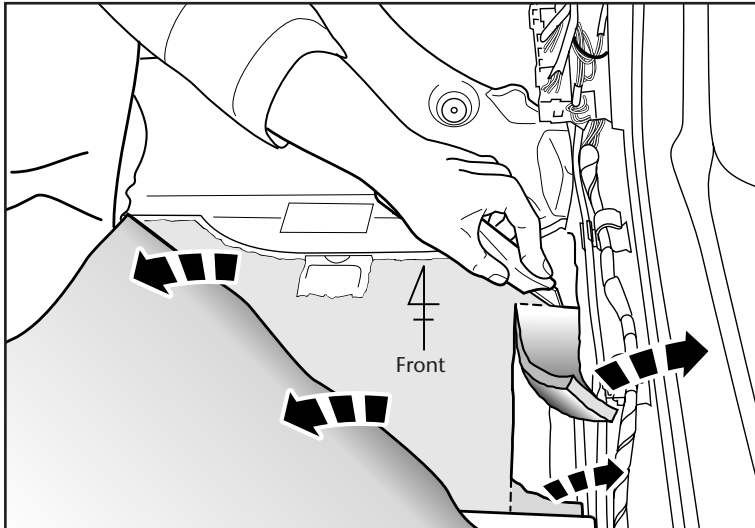


Fig. 9

9.
 - a) Roll back the carpet.
 - b) Cut out the marked area of the foam. (5cm x 30 cm)

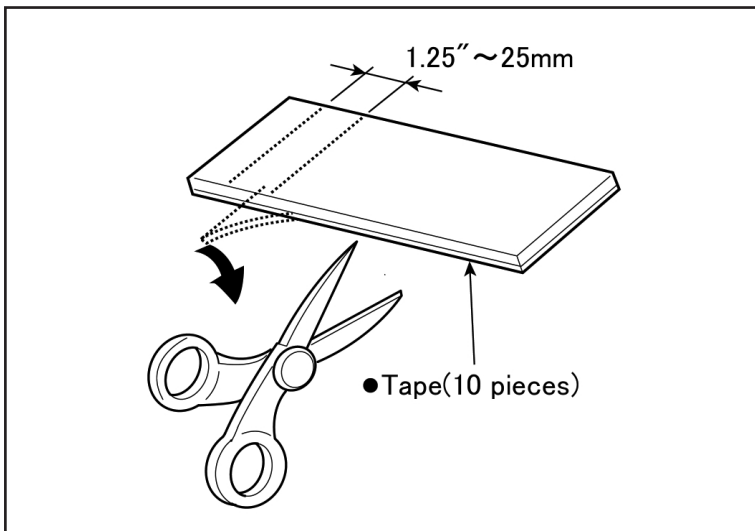


Fig. 10

10. Cut the tape. (10 pieces)
(Component parts of CD CHANGER)

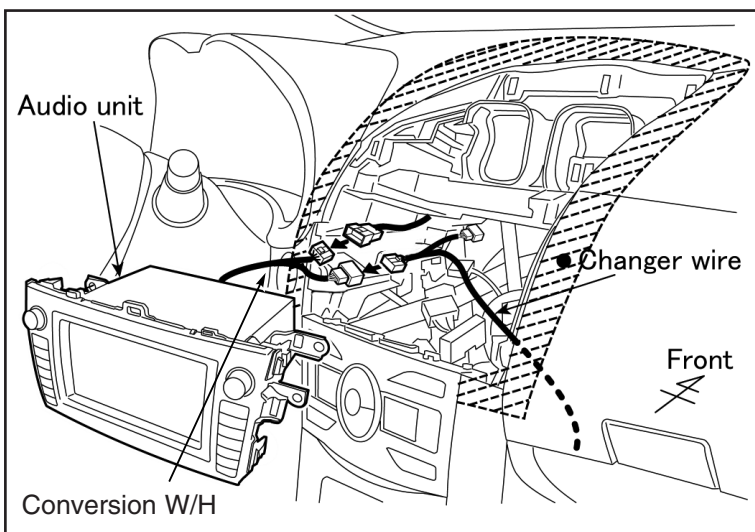


Fig. 11

11. Route the CHANGER WIRE by using the conversion wire 08695-00370 to connect it to the radio.

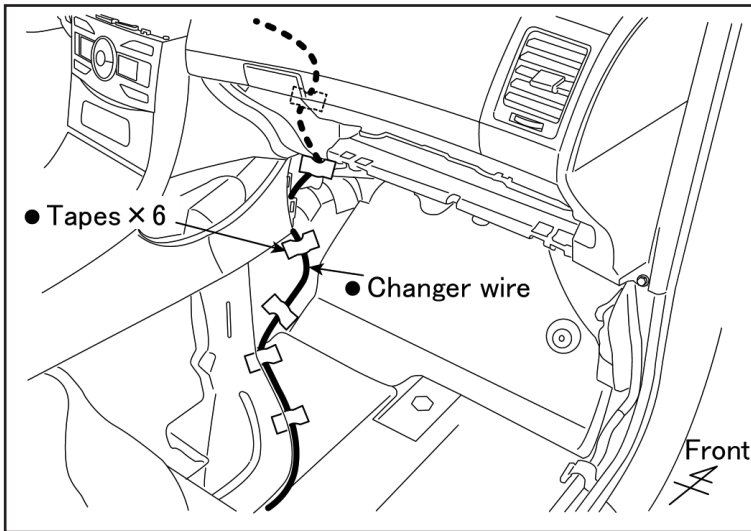


Fig. 12

12. Route the CHANGER WIRE and fix the changer wire according to the instruction.

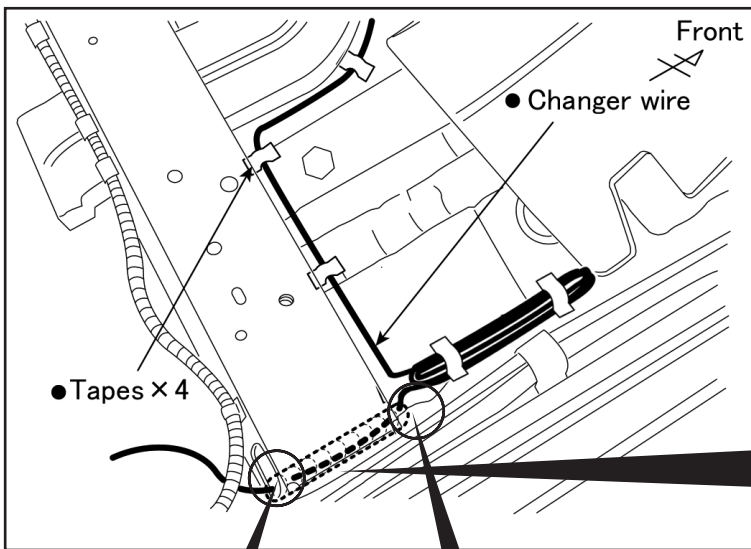


Fig. 13

13. Fix the changer wire and excess wire according to the drawing.

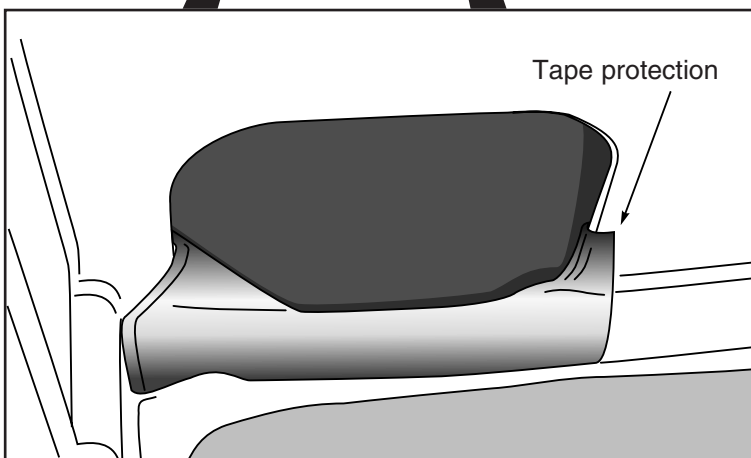


Fig. 14

14. Tape protection for the edges.

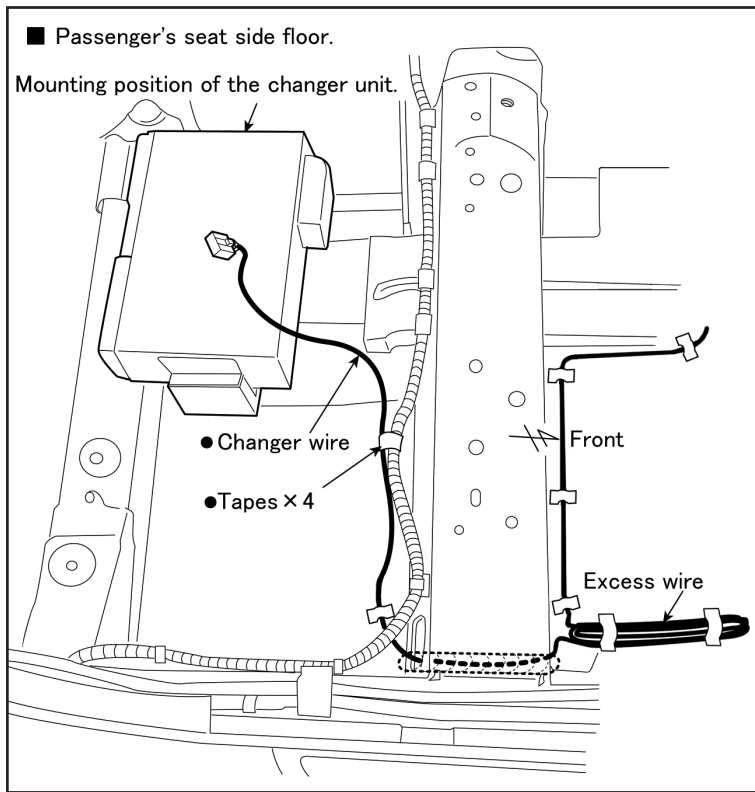


Fig. 15

15. Route the CHANGER WIRE.
Excess wire to the front of crossbar in foam.

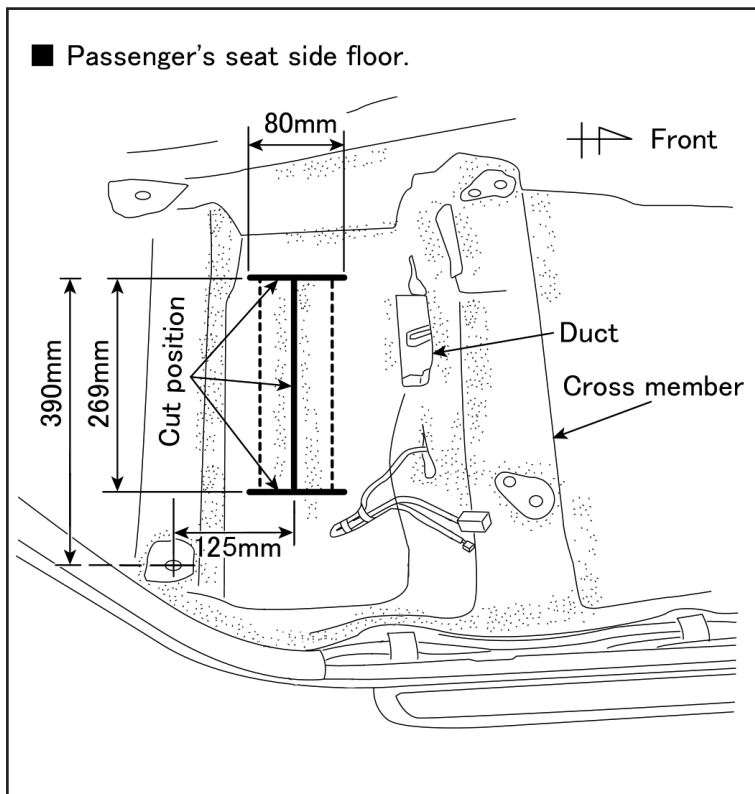


Fig. 16

16. Cut off the floor carpet to the CHANGER UNIT attachment position.

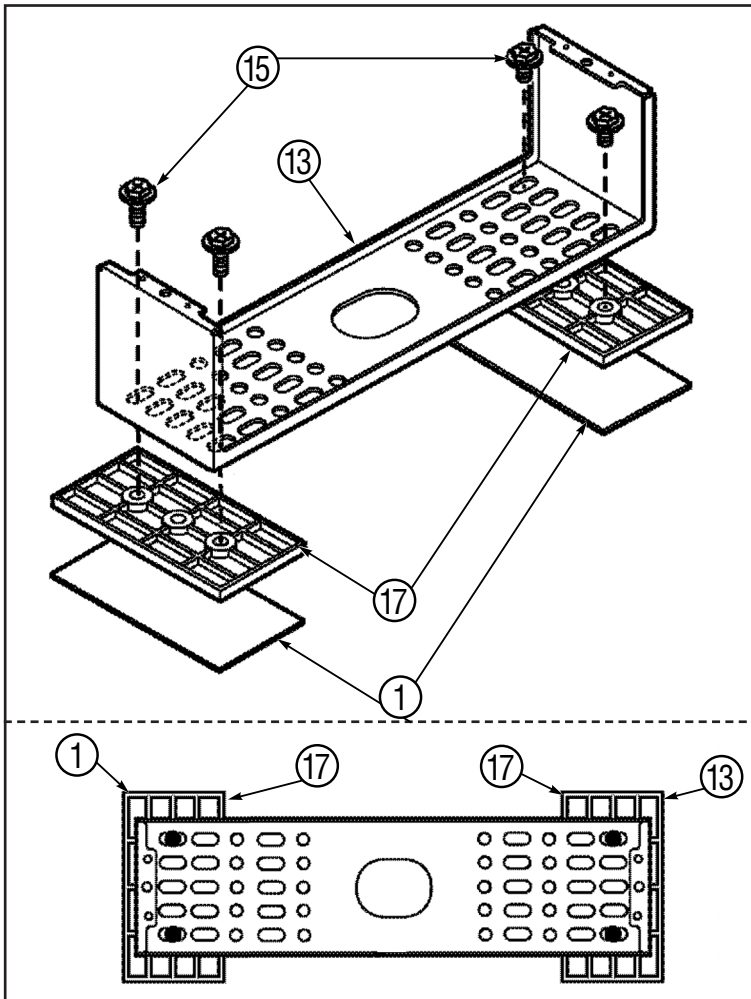


Fig. 17

17. Attach the spacers (17) and the tapes (1) to the base bracket (13).
- (15): Screw (M5x10) (2x)
 - (17): Spacer with nut (2x)
 - (1): Tape(2x)

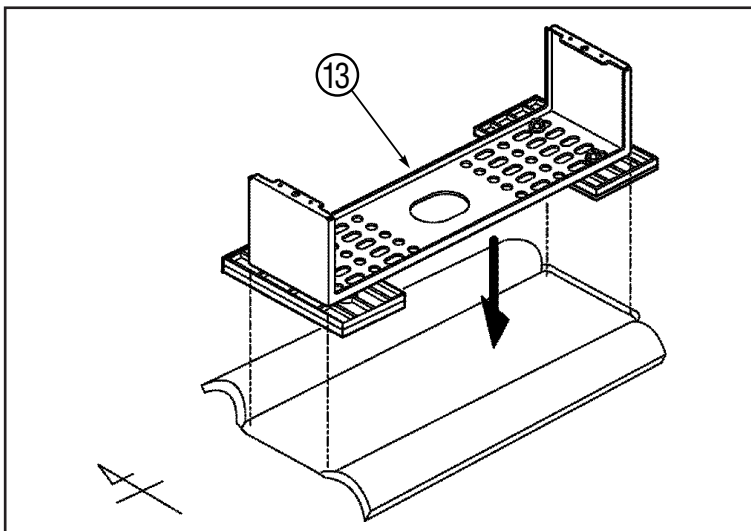


Fig. 18

18. Attach the base bracket (13) on the floor under the passenger seat.

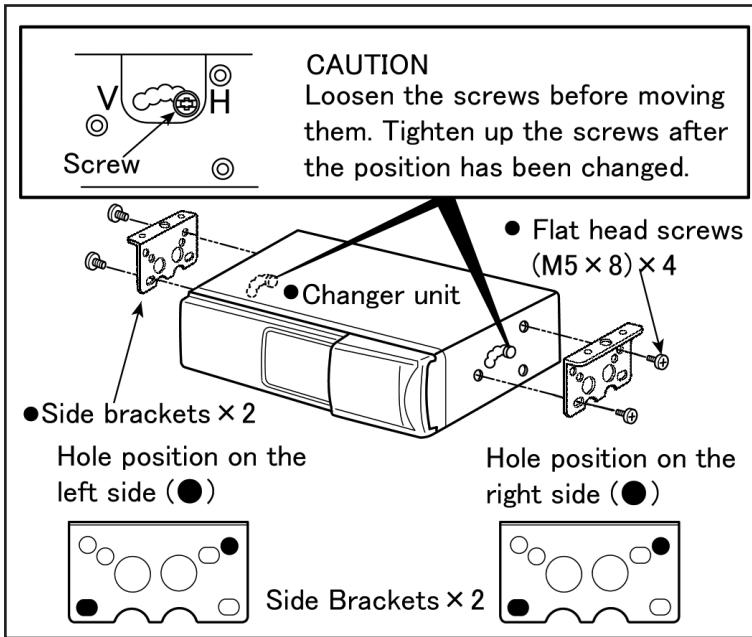


Fig. 19

19. Install the SIDE BRACKETS to the CHANGER UNIT.

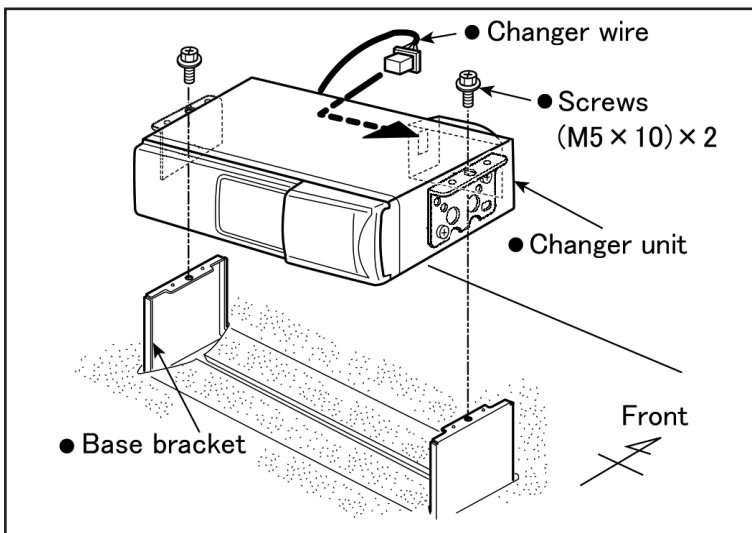


Fig. 20

20. Install the CHANGER UNIT.
Connect the CHANGER WIRE to the CHANGER UNIT.
Then install the CHANGER UNIT to the BASE BRACKET.
21. Re-assembly.
Replace all removed parts and panels.
Be sure all panel clips and connectors are properly engaged.

TOYOTA
GENUINE PARTS