

TOYOTA - HILUX

Underrail inner bedliner

Installation Instructions

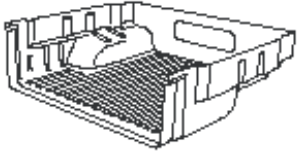
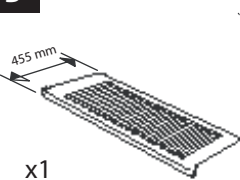
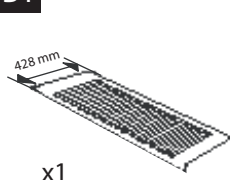
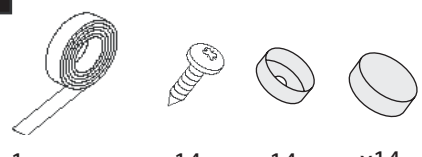



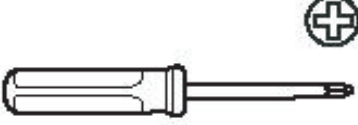
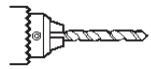
Model Year:	07/2005
Cab Type:	Double cab / Extra cab
Part Number:	PZ4AD-PL700- 3A Double
	PZ4AD-PL700- 4A Extra
	PZ4AD-PL700- 5A Double (Trimmed tailgate)
	PZ4AD-PL700- 6A Extra (Trimmed tailgate)


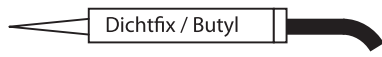



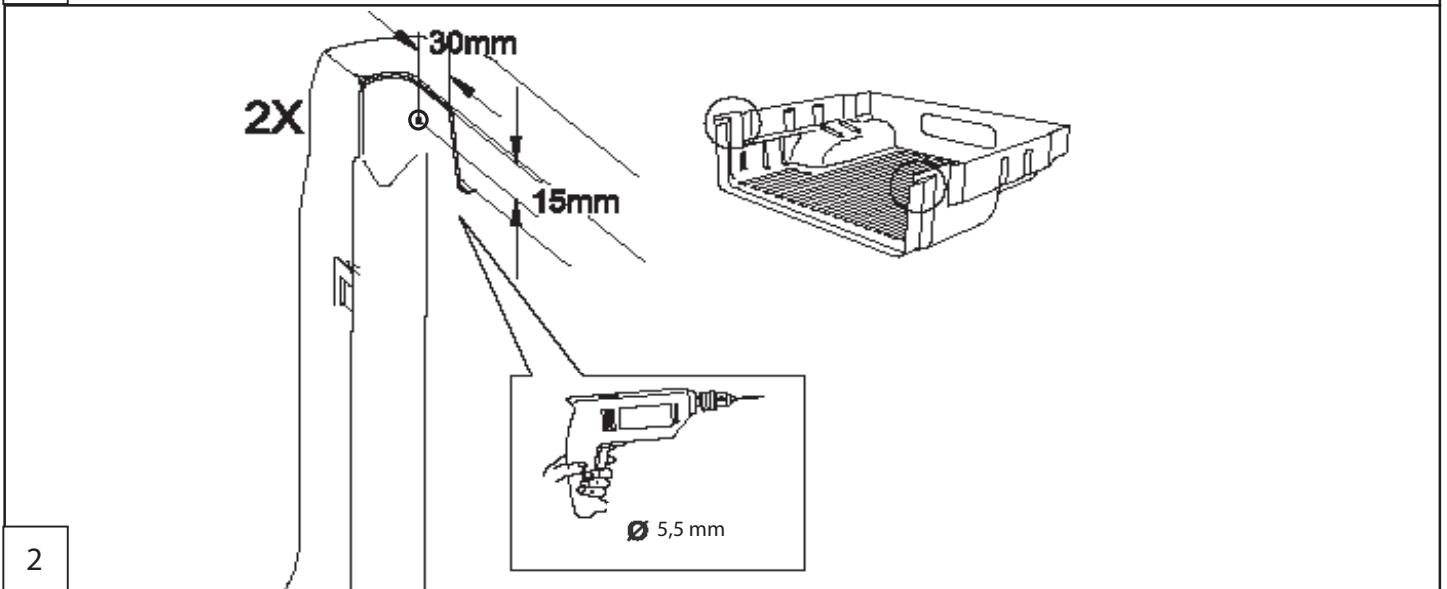
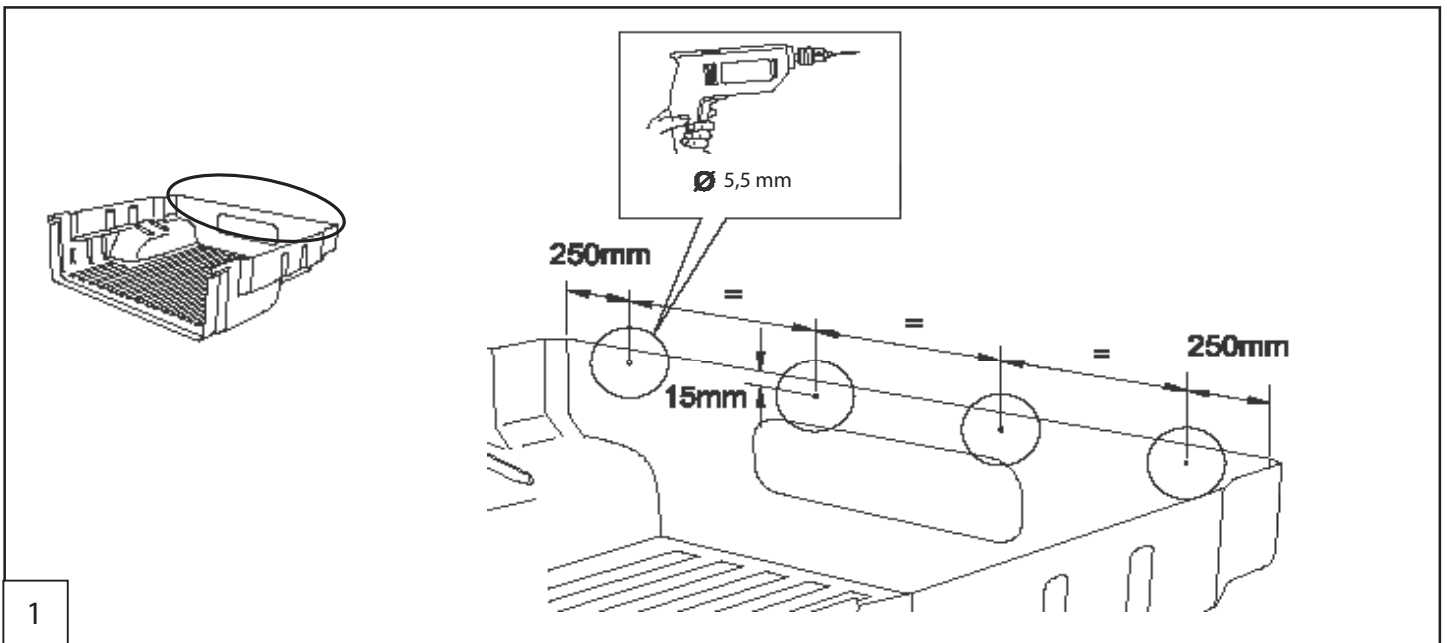
Weight 22 / 23 kg

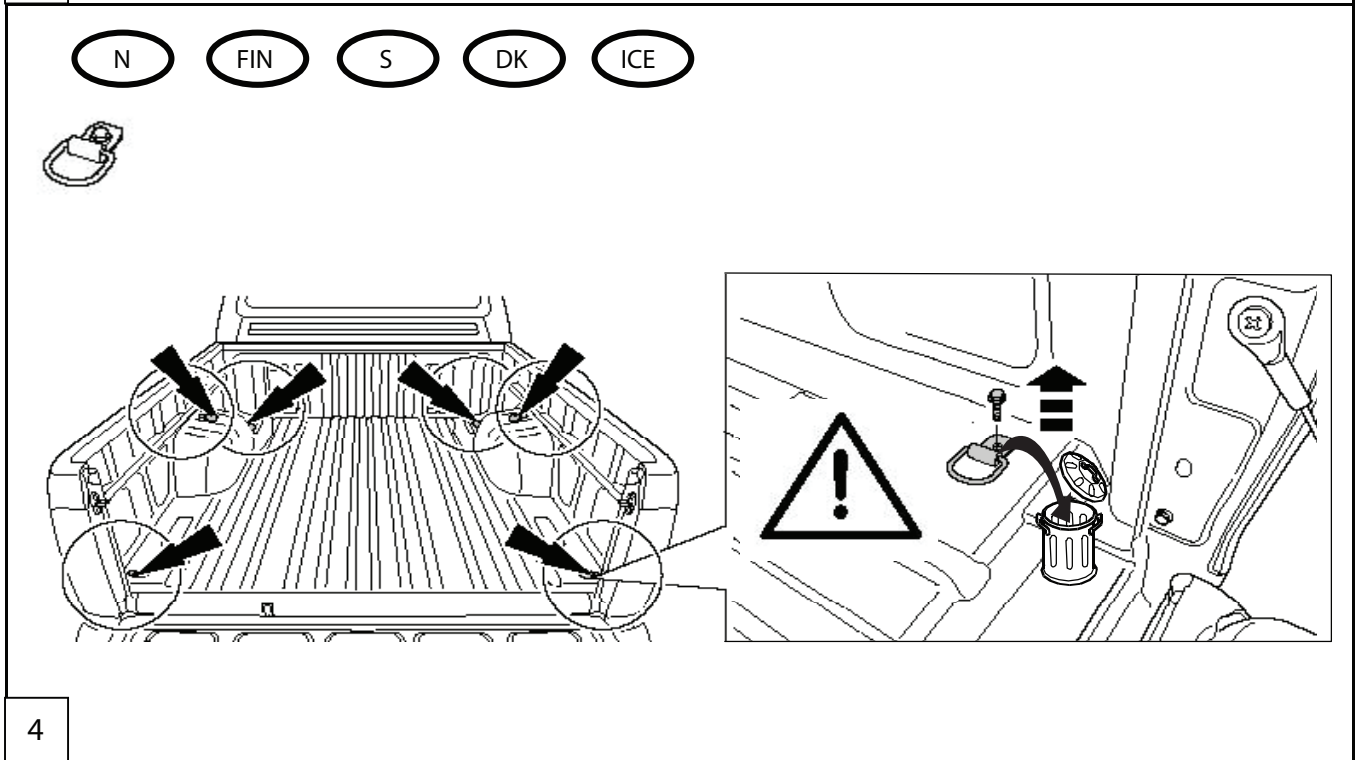
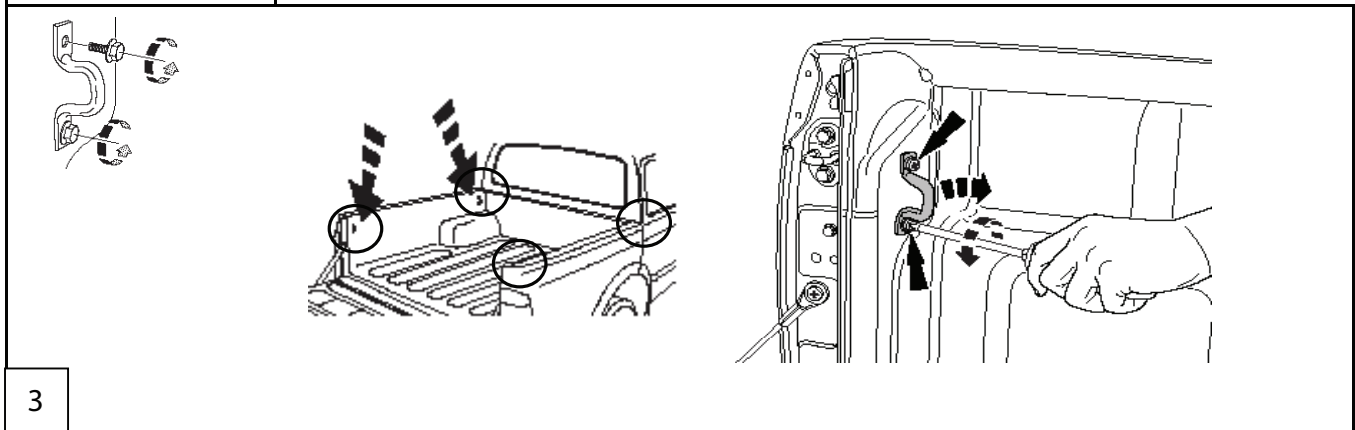
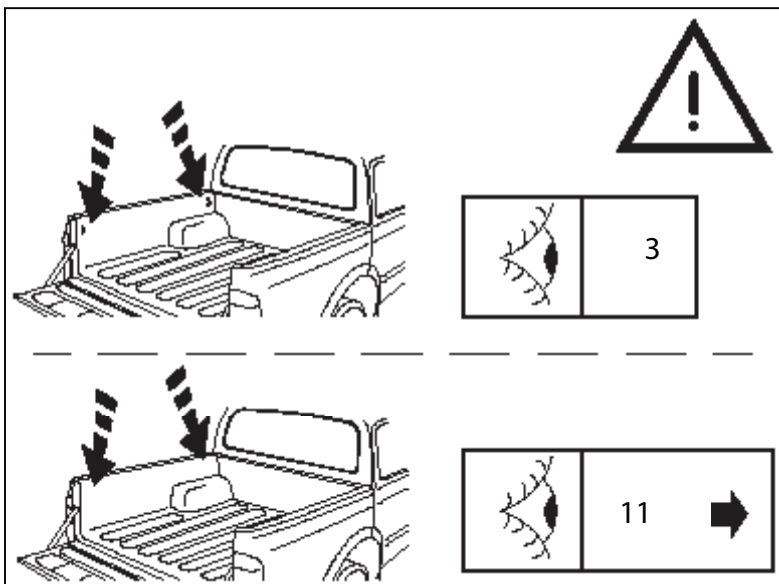
Manual reference number	AIM 000 454 -10	Double / Extra
	AIM 000 902 -10 (trimmed tailgate)	Double / Extra

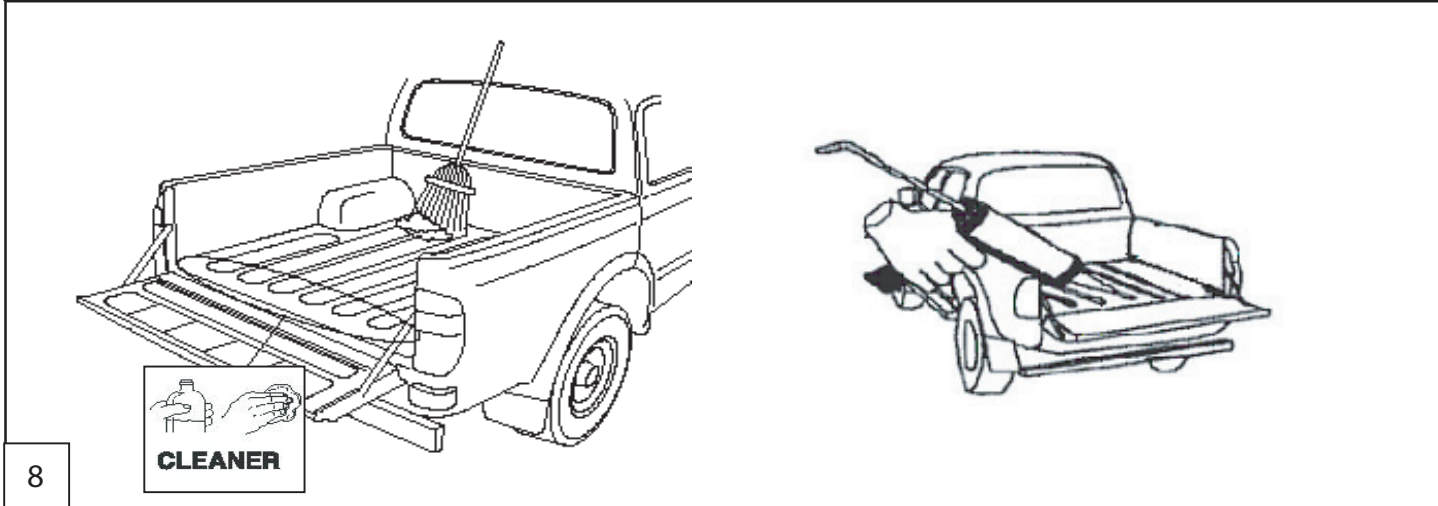
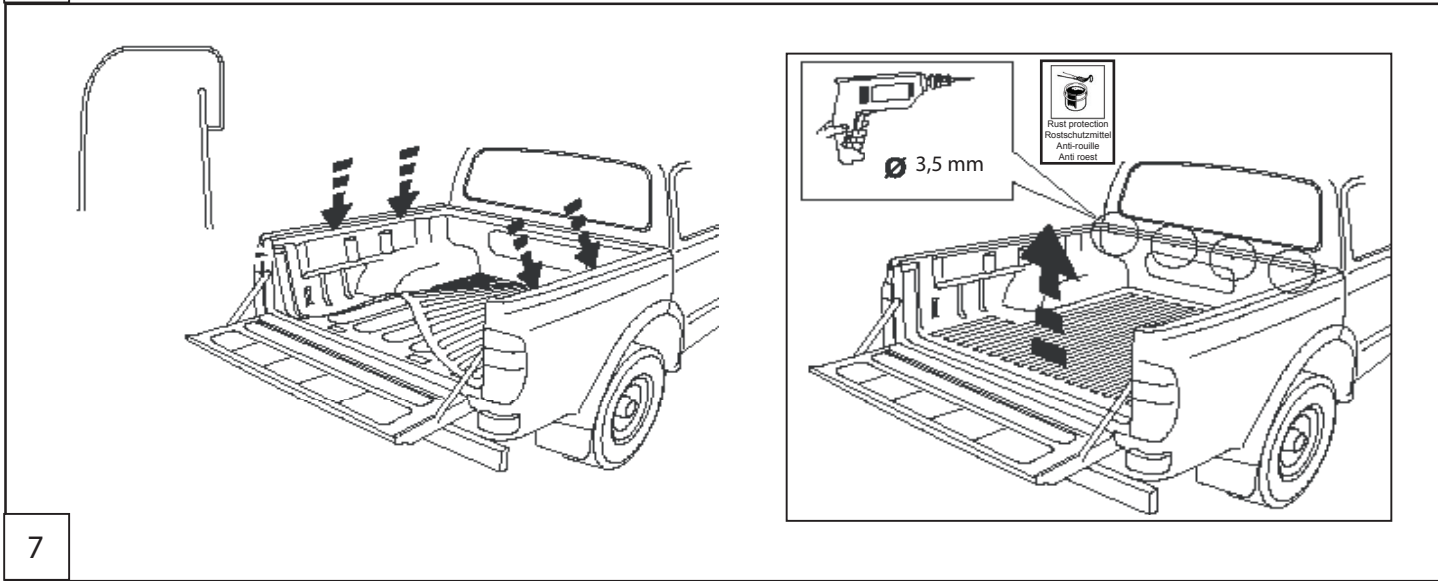
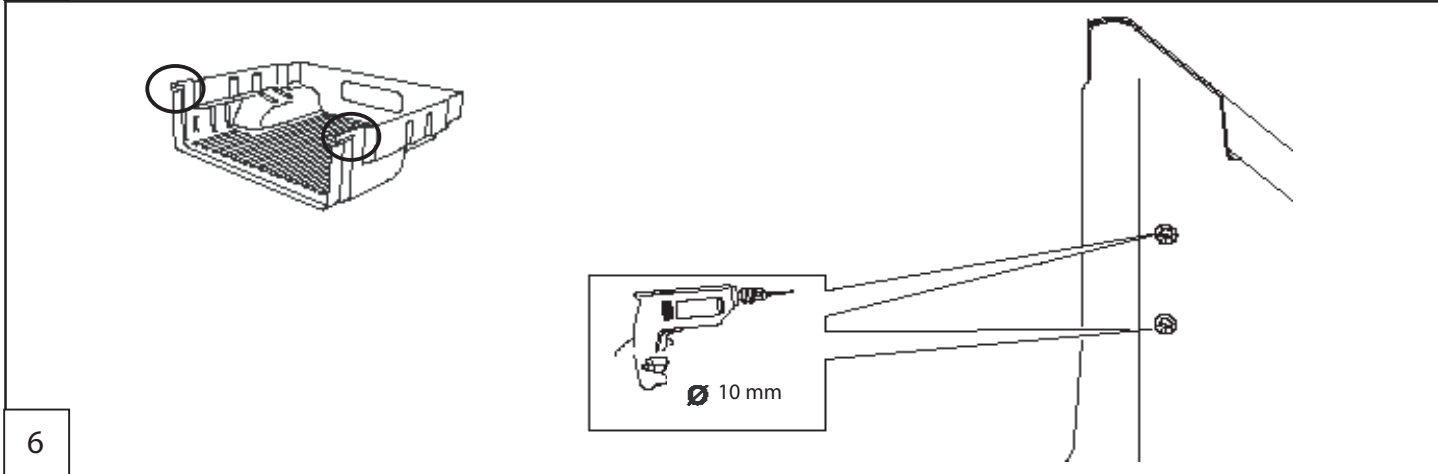
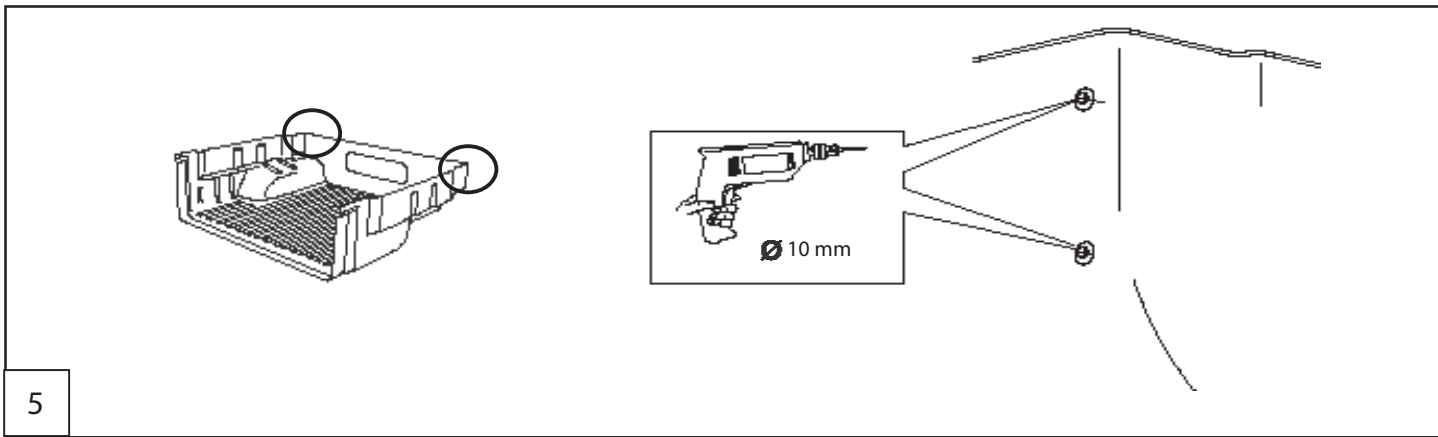
<p>A</p>  <p>x1</p>	<p>B</p> <p>PZ4AD-PL700-01</p>  <p>455 mm</p> <p>x1</p>	<p>B1</p> <p>PZ4AD-PL700-02</p> <p>(Trimmed)</p>  <p>428 mm</p> <p>x1</p>	<p>C</p>  <p>x1 x14 x14 x14</p>
---	---	---	--

		 <p>Ø 3,5 mm Ø 10 mm</p> <p>Ø 5,5 mm</p>
---	---	--

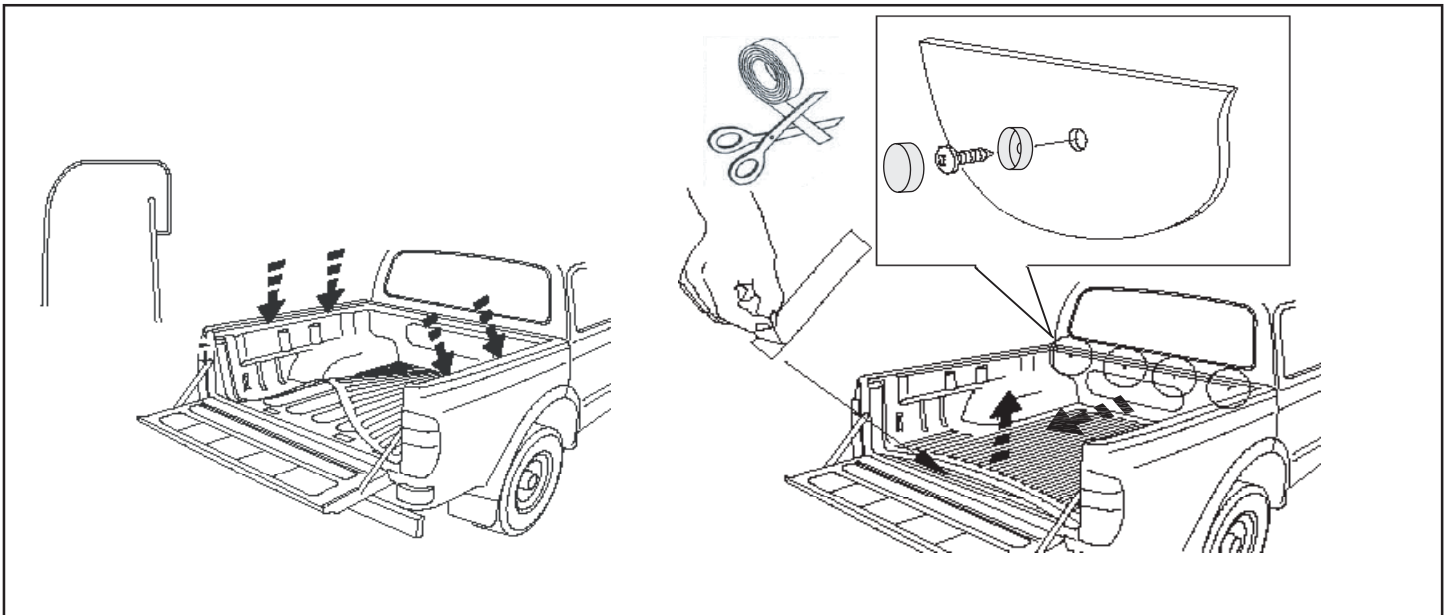
	 <p>Dichtfix / Butyl</p> <p>Würth Dichtfix: 0893 227</p>	 <p>CLEANER</p>
---	---	---



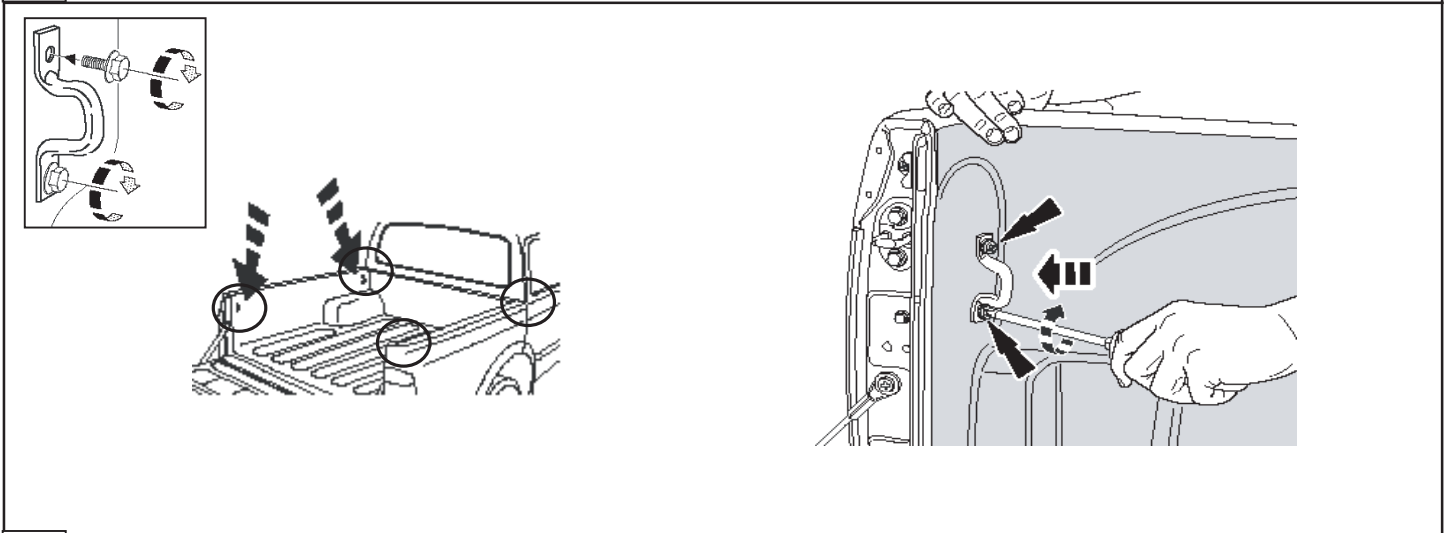




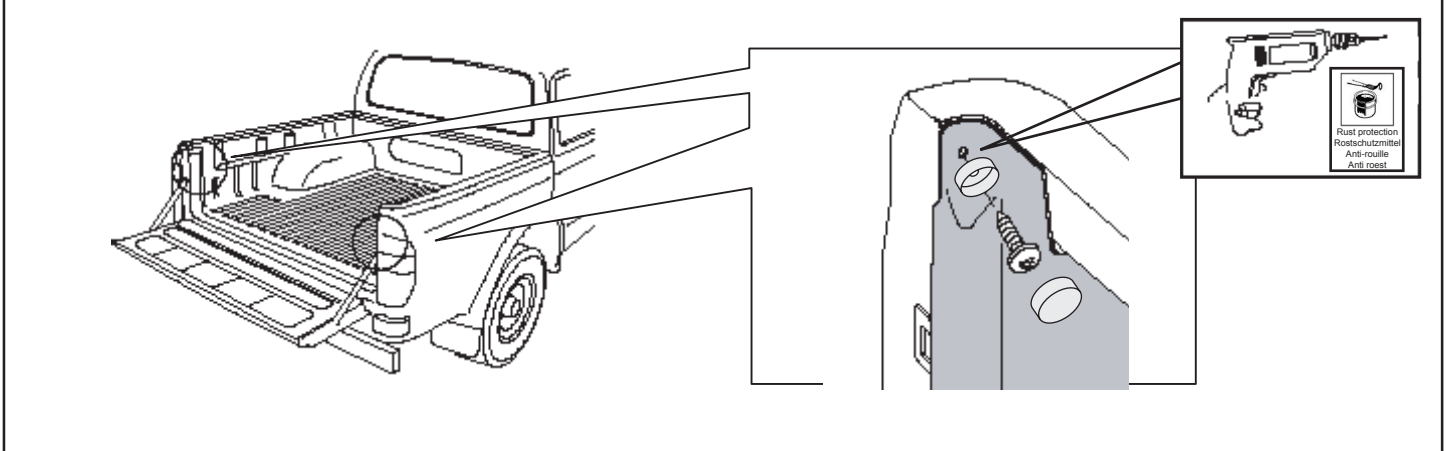
MTI-number 885 070	Issue 10	Partnumber PZ4AD-PL700-3A-4A-5A-6A	Manual ref. number 000 454 - 000 902	Date 11/05/2009	Cab Type D/C - X/C	Page 4/9
Pedersholmparken 10 3600 Frederikssund Denmark			ph: +45 4810 2950	Fax +45 4810 2960	www.mountaintop.dk	



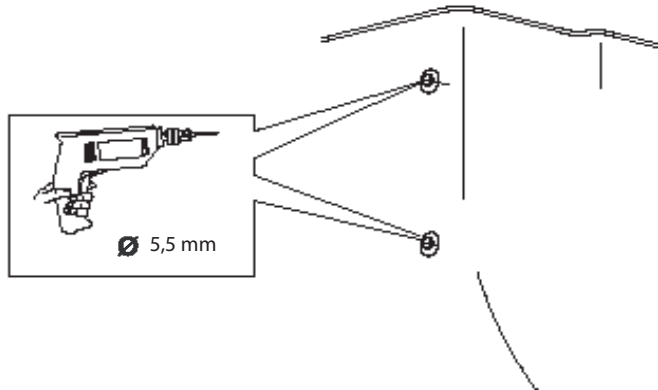
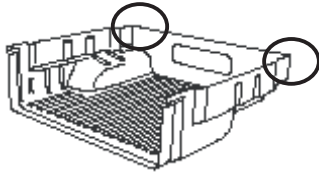
9



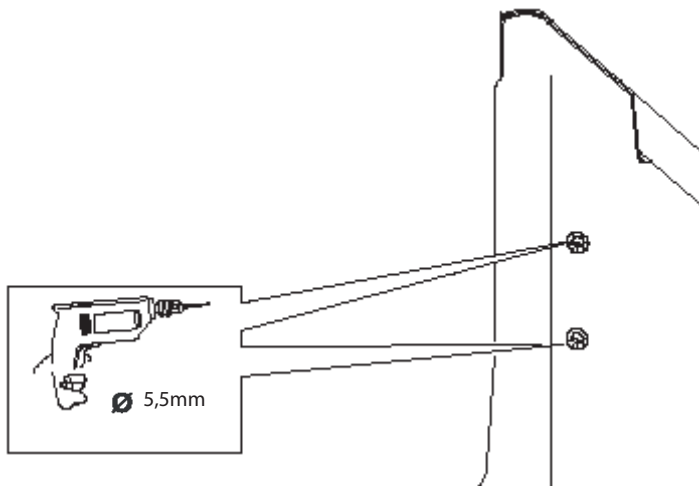
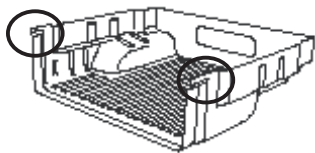
10



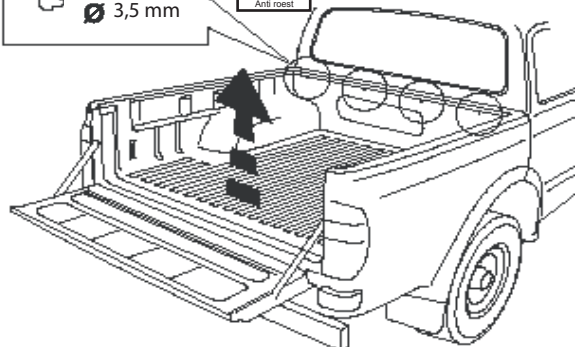
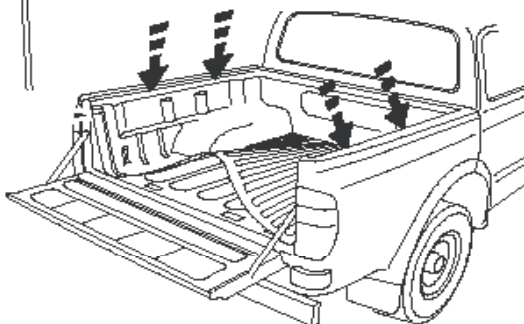
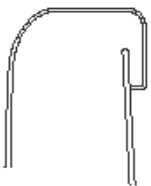
11



12

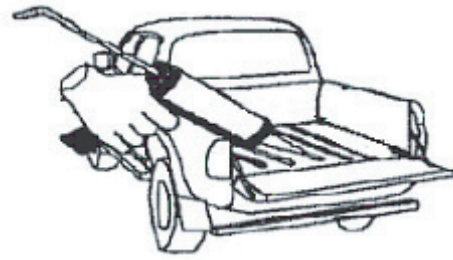
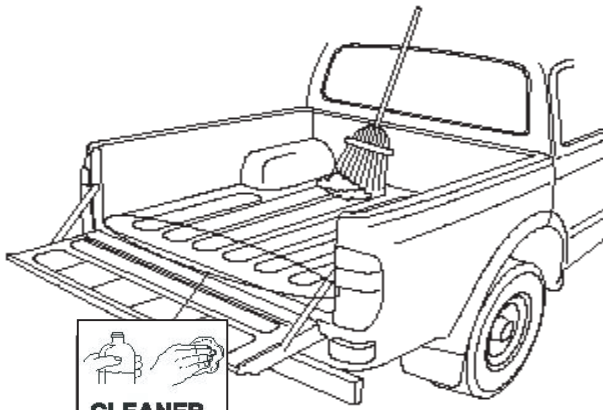


13

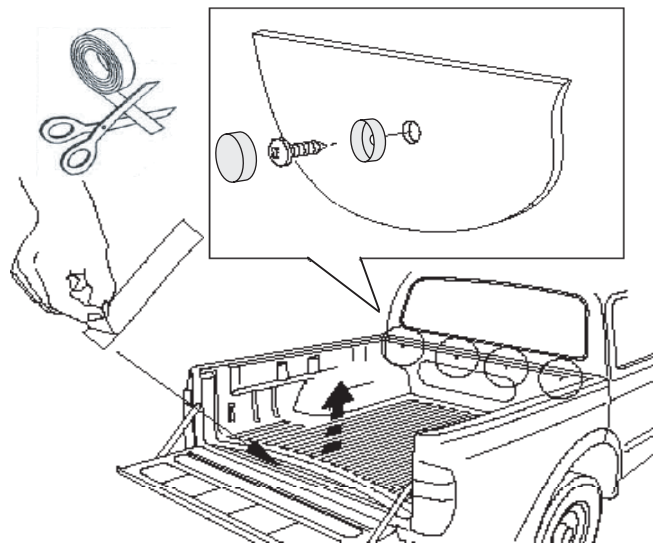
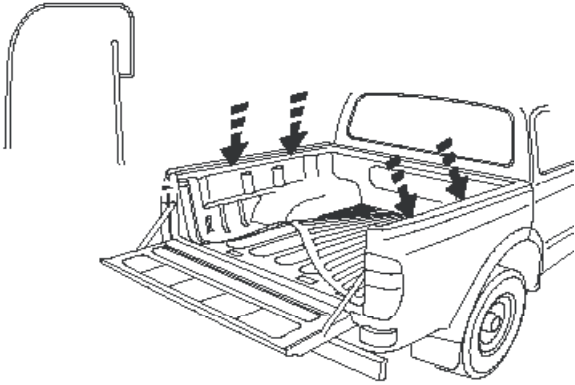


14

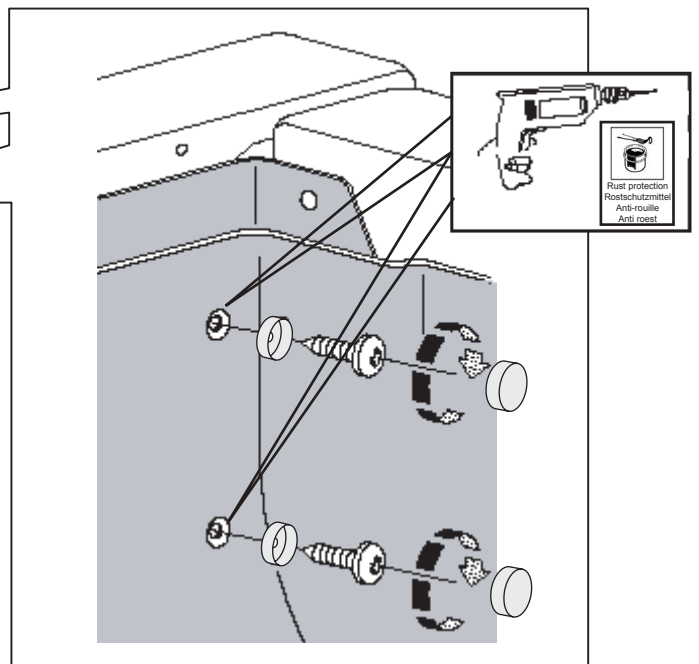
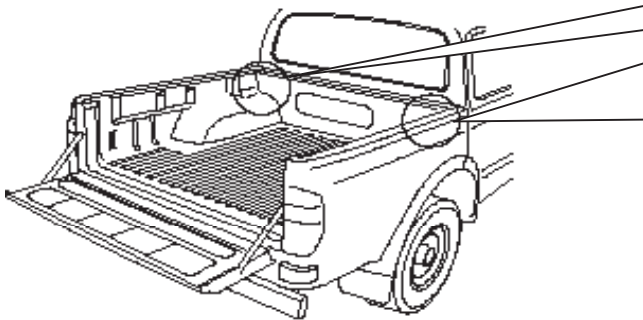
MTI-number 885 070	Issue 10	Partnumber PZ4AD-PL700-3A-4A-5A-6A	Manual ref. number 000 454 - 000 902	Date 11/05/2009	Cab Type D/C - X/C	Page 6/9
Pedersholmparken 10 3600 Frederikssund Denmark			ph: +45 4810 2950	Fax +45 4810 2960	www.mountaintop.dk	



15

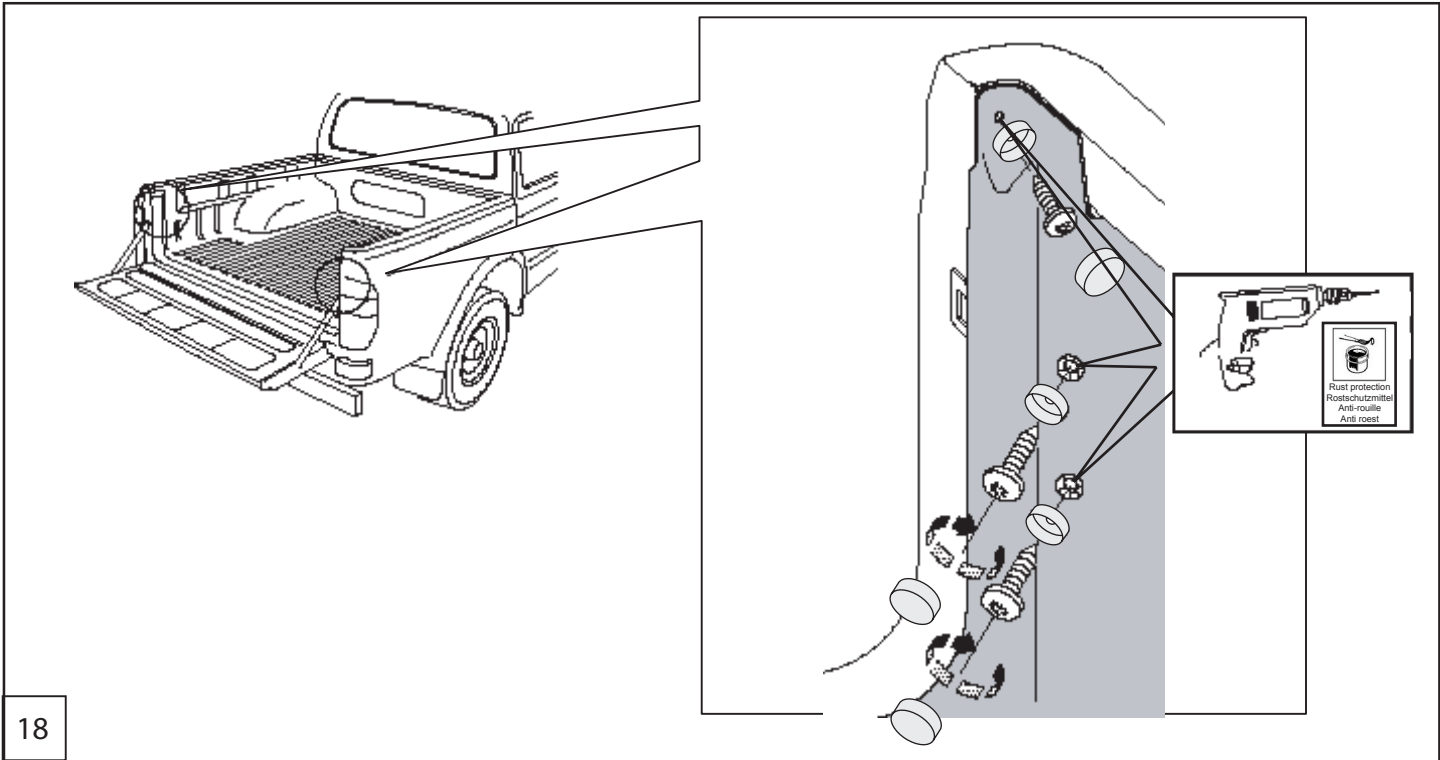


16

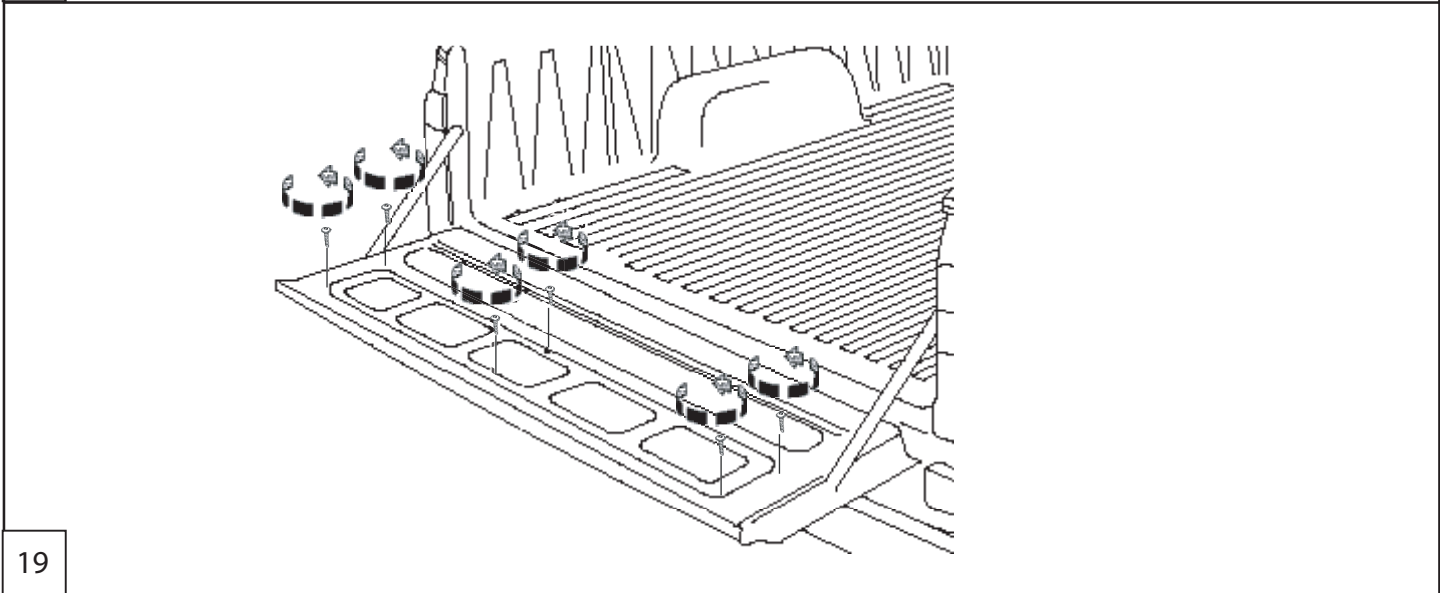


17

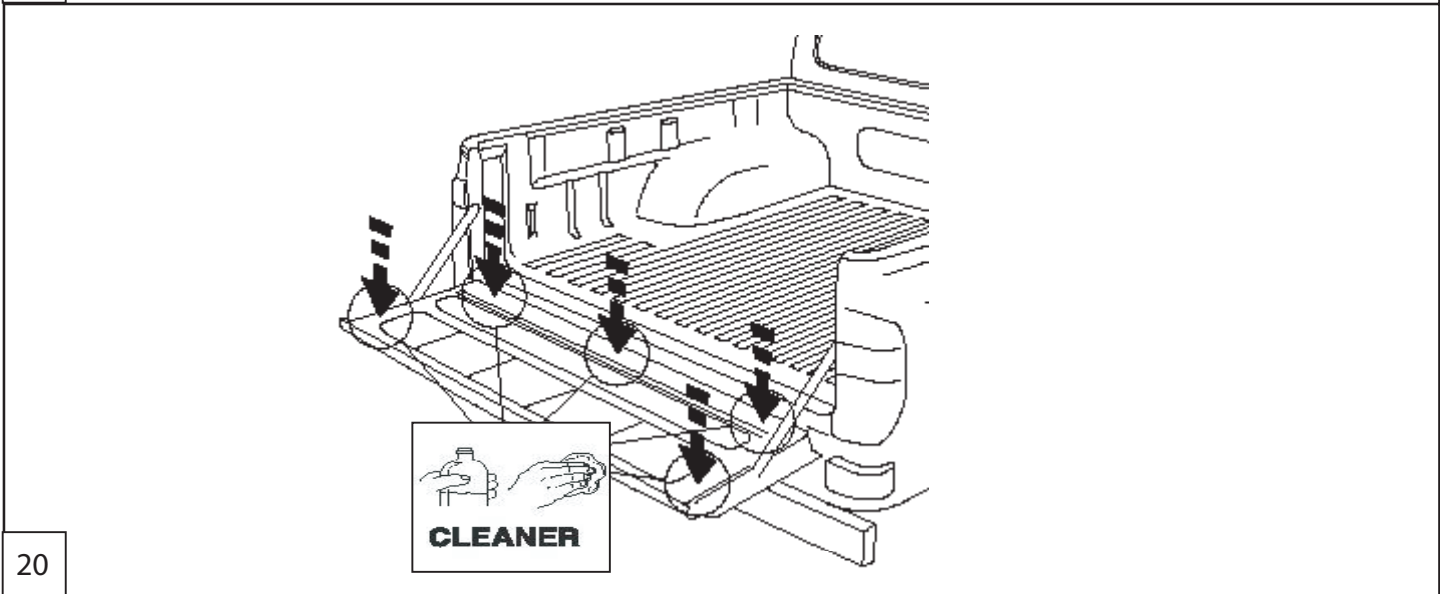
MTI-number 885 070	Issue 10	Partnumber PZ4AD-PL700-3A-4A-5A-6A	Manual ref. number 000 454 - 000 902	Date 11/05/2009	Cab Type D/C - X/C	Page 7/9
Pedersholmparken 10		3600 Frederikssund Denmark	ph: +45 4810 2950	Fax +45 4810 2960	www.mountaintop.dk	



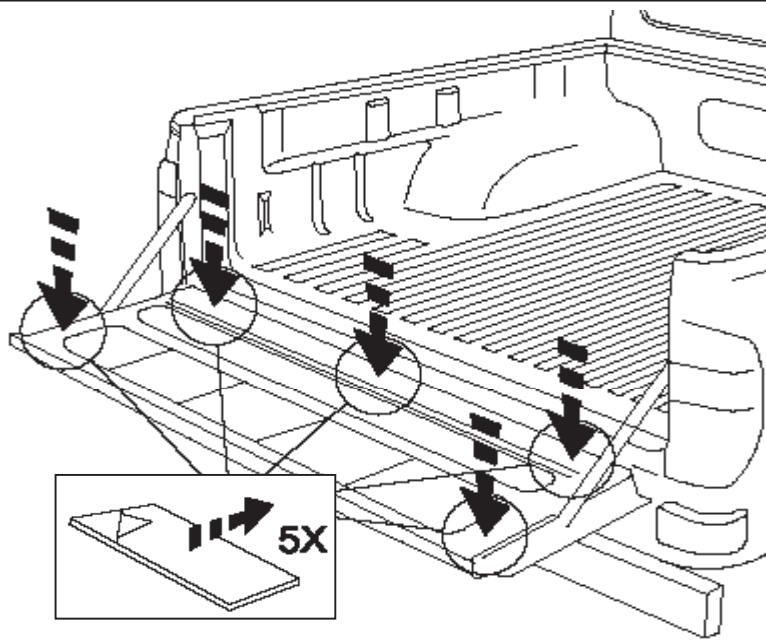
18



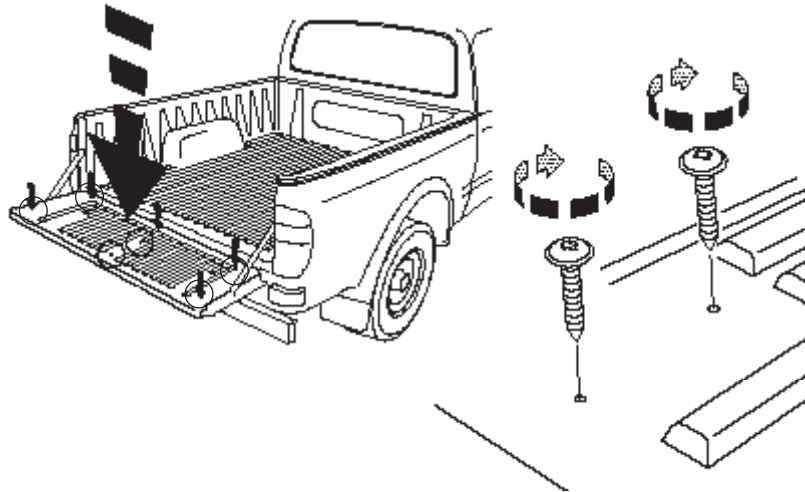
19



20



21



22