



Toyota Genuine Audio

INSTALLATION INSTRUCTIONS

FOR



Corolla Verso (RHD)

**R1*R

TABLE OF CONTENTS


1. Application Chart	4
2. System Layout	5
3. 6 CD-changer Installation	6
3.1 Vehicle Disassembly	6
3.2 Installation under the Passenger's Seat	11
4. Subwoofer Installation	16

AUDIO APPLICATION CHART

TMME-CS Group - January 28th, 2004

Corolla Verso **R1**

(LHD + RHD)

		+ ADD-ON UNIT(S)	
In Car Entertainment System (ICE) = PZ462-E8370-00 + PZ462-E8371-00 Subwoofer (08691-00834)		Navigation System TMS300 (08545-52801)	
Hide-Away CD-Changer TM 0461(08601-00911)		REQUIRED ADDITIONAL PARTS	
COMBINATION	HEAD UNIT		
1 CD-Tuner (only)	Standard from factory		
2 6CD-Tuner (only)	Optional from factory		
3 CD-Tuner + Navigation (TBT)	Standard from factory	●(1)	FIK PZ425-E8330-60 + 08673-64801 (*) + 08673-64800 (**)
4 CD-Tuner + Subwoofer	Standard from factory	●(2)	FIK PZ425-E8370-60
5 CD-Tuner + CD-Changer	Standard from factory	●(2)	FIK PZ425-E8370-60 + 08695-00370 (****)
6 CD-Tuner + CD-Changer + Navigation (TBT)	Standard from factory	●(1)	FIK PZ425-E8370-60 + 08695-00370 (****) + FIK PZ425-E8330-60 + 08673-64801 (*)
7 CD-Tuner + Subwoofer + Navigation (TBT)	Standard from factory	●(1)	FIK PZ425-E8370-60 + FIK PZ425-E8330-60 + 08673-64801 (*) + 08673-64800 (**)
8 CD-Tuner + In Car Entertainment	Standard from factory	●(2)	FIK PZ425-E8370-60 + PZ457-00370-00 (****)
9 CD-Tuner + In Car Entertainment + Navigation (TBT)	Standard from factory	●(2)	FIK PZ425-E8370-60 + FIK PZ425-E8330-60 + 08673-64801 (*) + 08673-64800 (**)
10 6CD-Tuner + Navigation (TBT)	Optional from factory	●(1)	FIK PZ425-E8330-60 + 08673-64801 (*) + 08673-64800 (**)
11 6CD-Tuner + Subwoofer	Optional from factory	●(2)	FIK PZ425-E8370-60
12 6CD-Tuner + Subwoofer + Navigation (TBT)	Optional from factory	●(1)	FIK PZ425-E8370-60 + FIK PZ425-E8330-60 + 08673-64801 (*) + 08673-64800 (**)
13 6CD-Tuner + In Car Entertainment	Optional from factory	●(2)	FIK PZ425-E8370-60 + PZ457-00370-00 (****)
14 6CD-Tuner + In Car Entertainment + Navigation (TBT)	Optional from factory	●(2)	FIK PZ425-E8370-60 + FIK PZ425-E8330-60 + 08673-64801 (*) + 08673-64800 (**)
15 Head unit + CD-Changer	Optional from factory	●(2)	FIK PZ425-E8370-60 + 08695-00370 (****)
16 Head unit + Subwoofer	Optional from factory	●(2)	FIK PZ425-E8370-60
17 Head unit + In Car Entertainment	Optional from factory	●(2)	FIK PZ425-E8370-60 + PZ457-00370-00 (****)
Full Map Navigation System			

ATTENTION: You can only install one of the following items: Hide-Away CD-Changer - Subwoofer - In Car Entertainment

PZ425-E8330-60: Navigation Mounting Kit • PZ425-E8370-60: ICE / CD-Changer / Subwoofer Mounting Kit

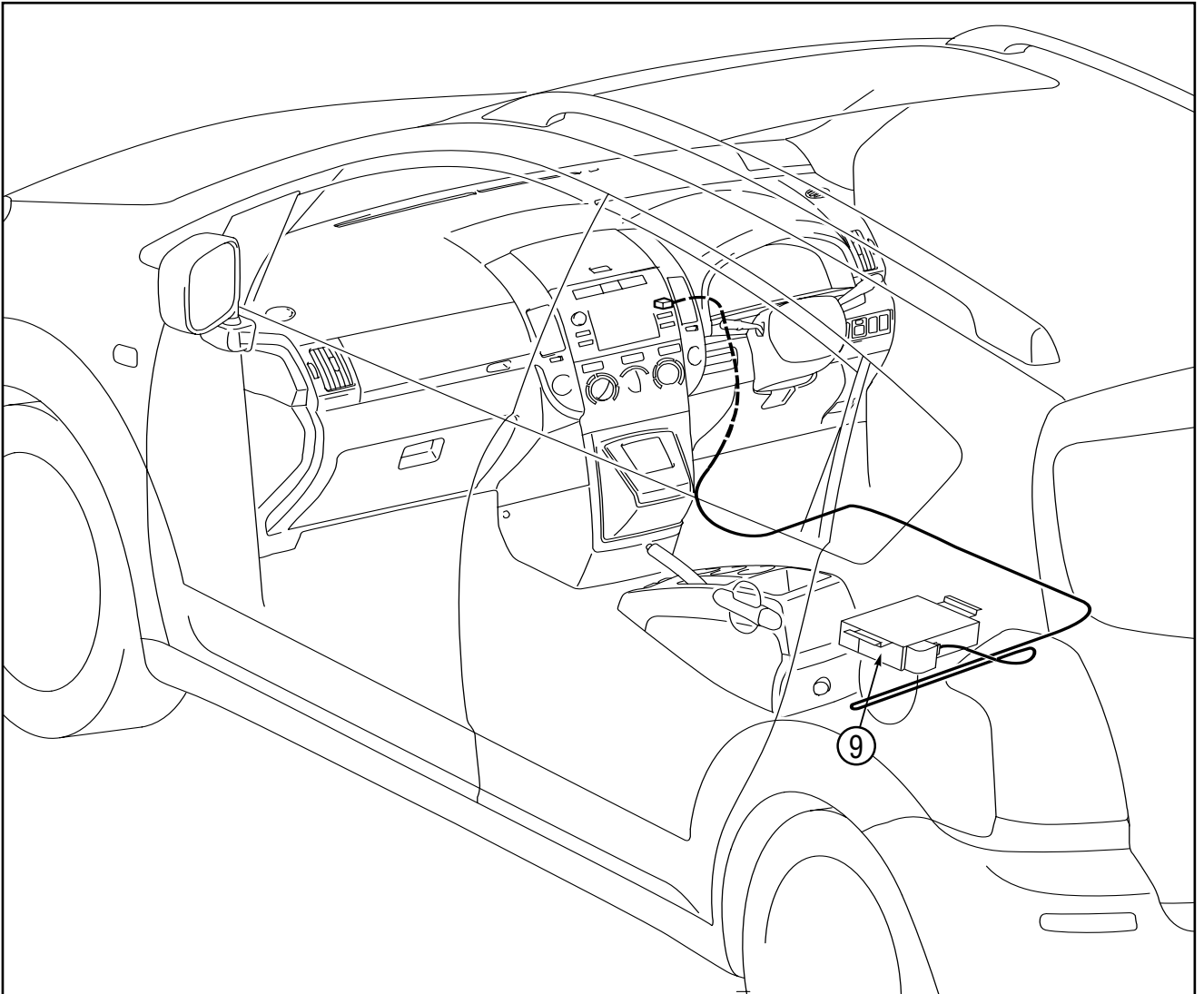
(*) 08673-64801: Sub Harness for Display • (**) 08673-64800: Sub Harness for TX+, TX- • (****) 08695-00370: AUDIO conversion wire • (*****) PZ457-00370-00: ICE conversion wire

(1): Located under front left hand seat • (2): Located under front right hand seat

2. SYSTEM LAYOUT



6 CD-CHANGER



See Application Chart



3. 6 CD-CHANGER INSTALLATION

3.1 VEHICLE DISASSEMBLY

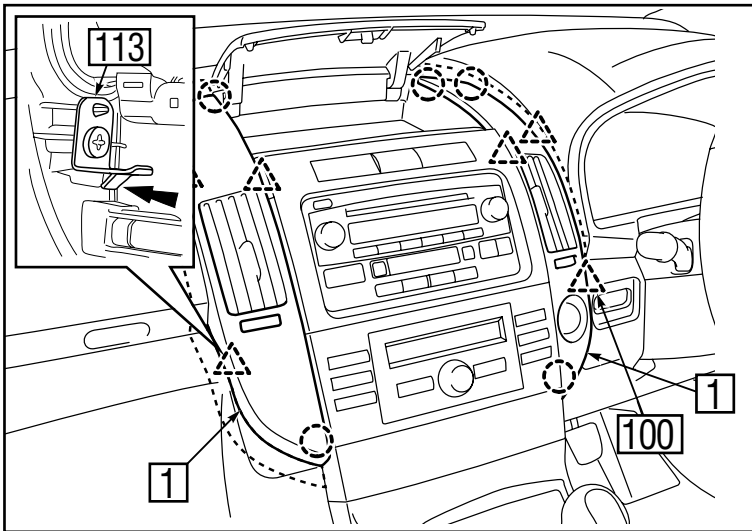


Fig. 1

1. Remove the louver 1 (L+R).
 100: Hook (6x)
 ○: Clip (3x)
 △: Hook (3x)

CAUTION

Remove the hook 113 at the inner side of the glove compartment.

CAUTION

Put the protective tapes on the shaded areas. Be sure to remove the parts carefully not to damage the section.

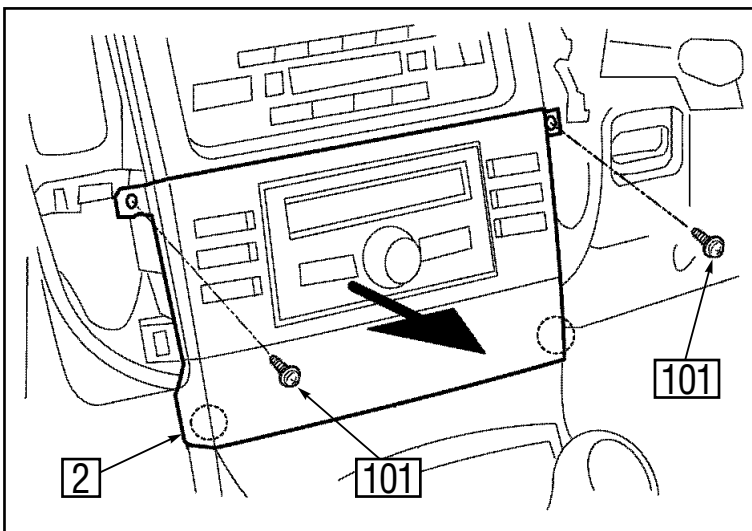


Fig. 2

IN CASE OF AUTO AIR CONDITIONER

2. Remove the heater control panel 2.
 101: Screw (2x)
 ○: Clip (2x)

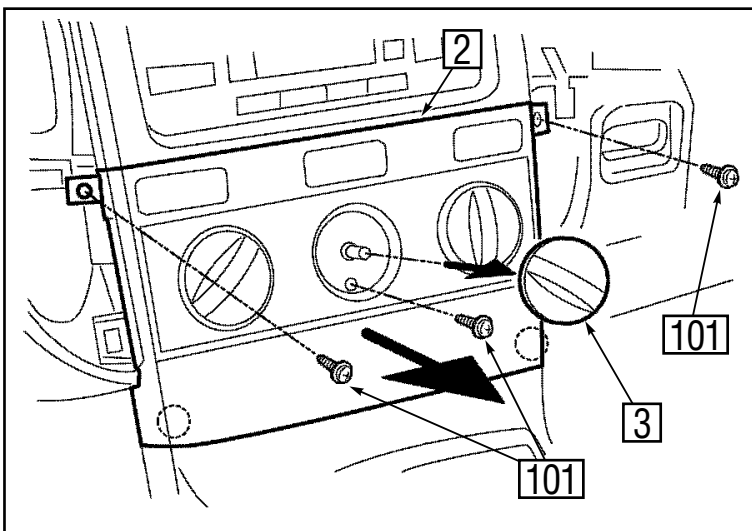


Fig. 3

IN CASE OF MANUAL AIR CONDITIONER

3. Remove these parts:
 - a) Control knob 3
 - b) Heater control panel 4
 101: Screw (3x)
 ○: Clip (2x)

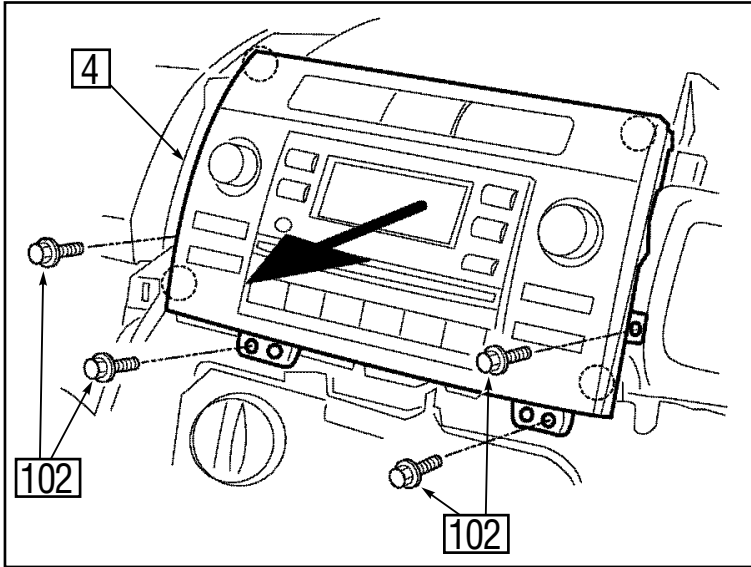


Fig. 7

4. Remove the combo **4**.
102: Screw (4x)
 ○: Clip (4x)

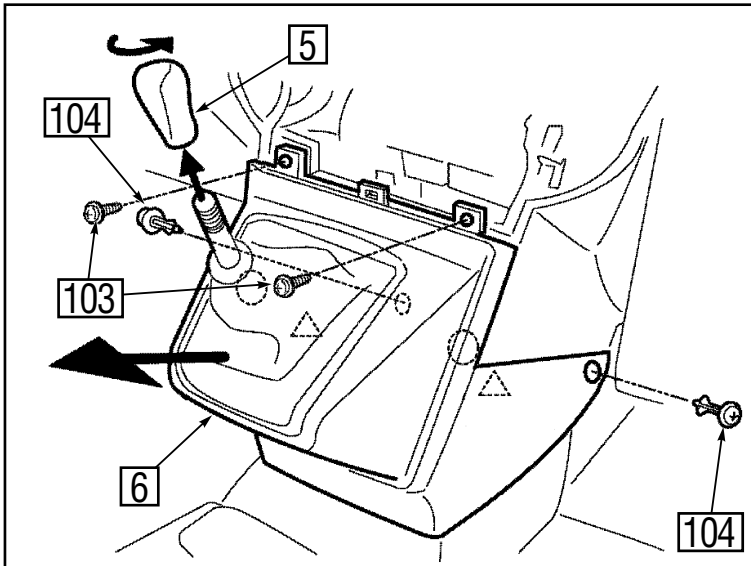


Fig. 8

FOR M/T MODELS

5.
 - a) Remove the shift knob **5**.
 - b) Remove the center lower cover **6**.
103: Screw (2x)
 ○: Clip (2x)
104: Clip (2x)
 △: Hook (2x)

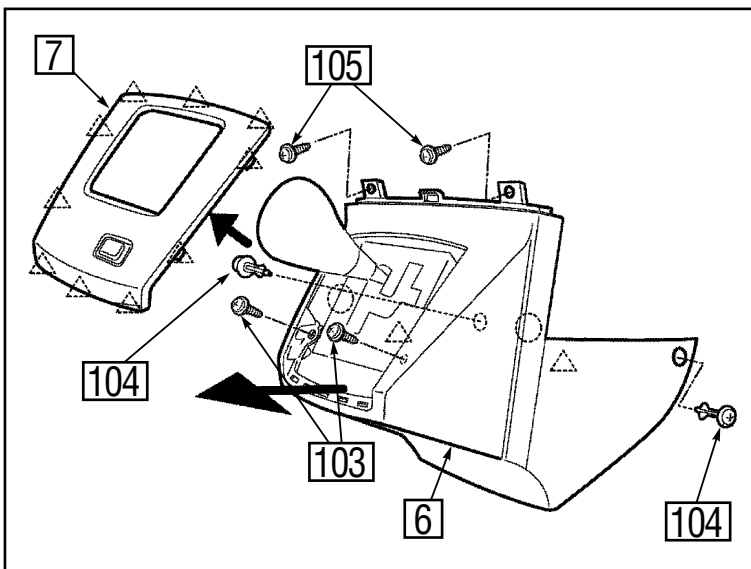


Fig. 9

FOR A/T MODELS

6.
 - a) Remove the shift cover **7**.
 △: Hook (10x)
 - b) Remove the center lower cover **6**.
103: Screw (4x)
 ○: Clip (2x)
104: Clip (2x)
 △: Hook (2x)

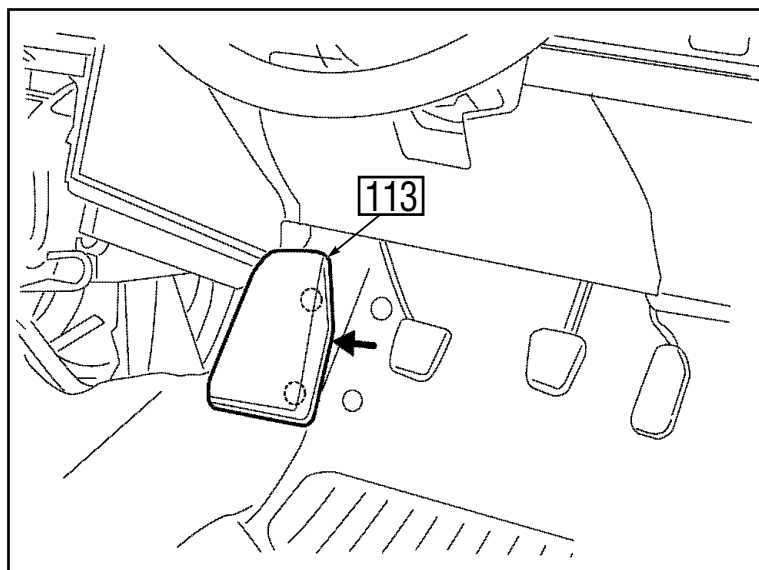


Fig. 7

7. Remove the footrest **113**.
 ○: Clip (2x)

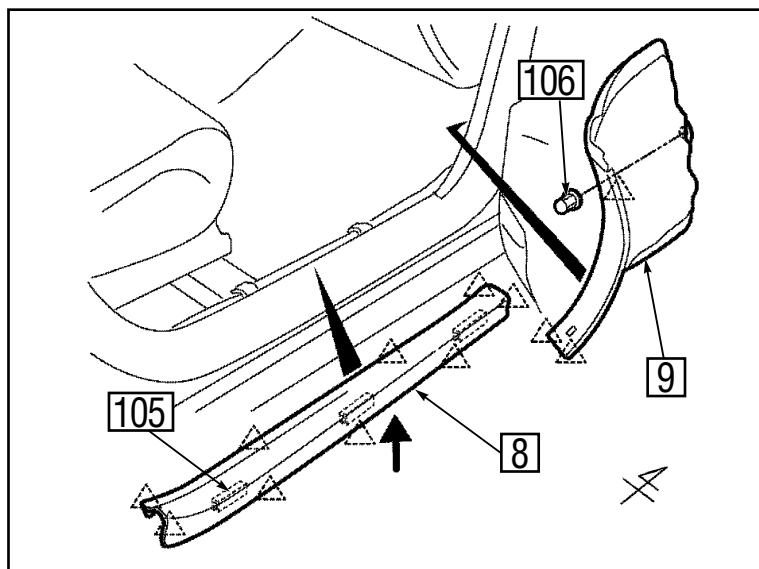


Fig. 8

8.
 - a) Remove the front door scuff plate **8** (R).
 □105: Clip (3x)
 △: Hook (9x)
 - b) Remove the kick panel **9** (R).
 □106: Nut (1x)
 △: Hook (3x)

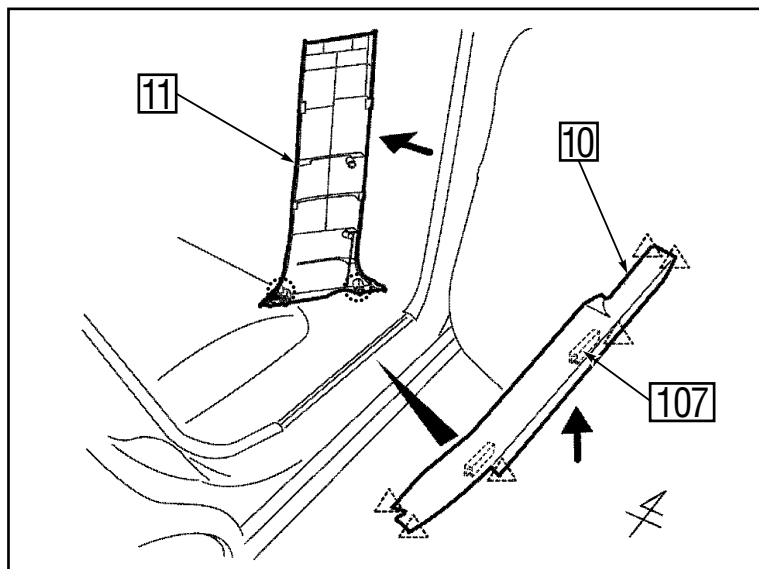


Fig. 9

9.
 - a) Remove the rear door scuff plate **10** (R).
 □107: Clip (2x)
 △: Hook (6x)
 - b) Remove the centre pillar cover **11** (R).
 ○: Clip (2x)

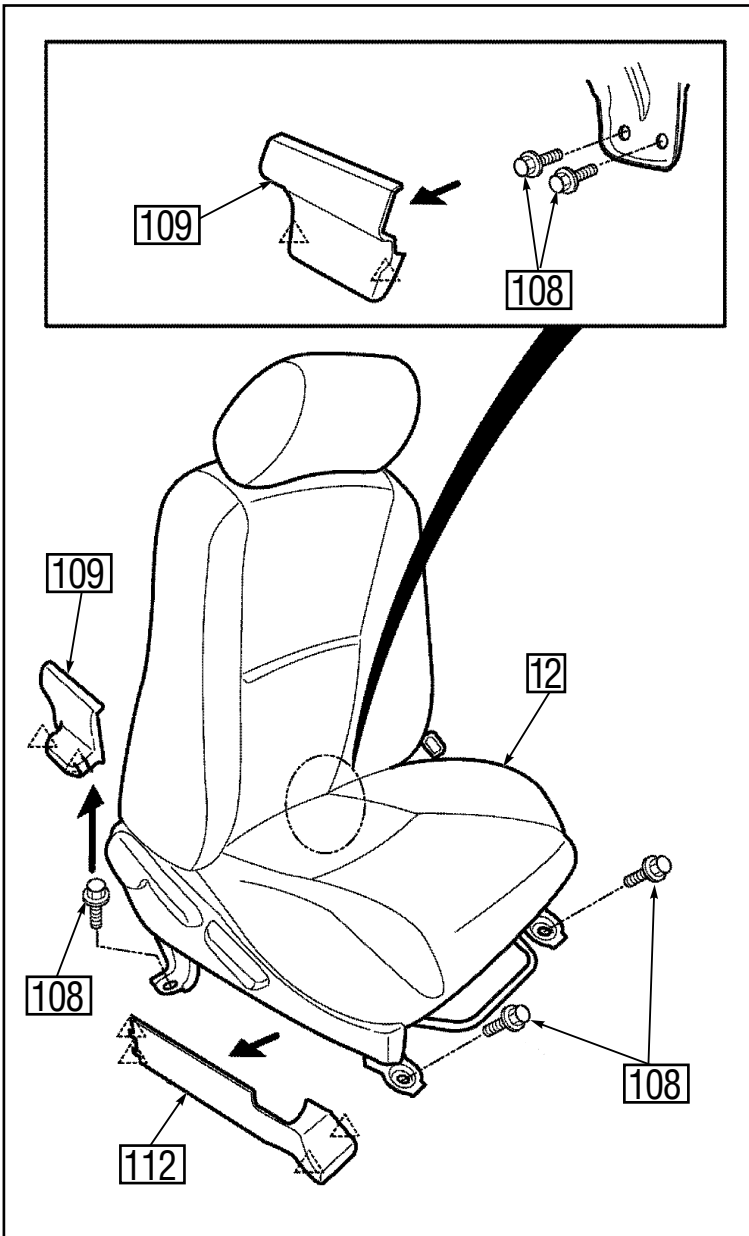


Fig. 10

10. Remove the driver seat 12.

108: Bolt (5x)

109: Cover (2x)

112: Seat side trim

△ : Hook (8x)

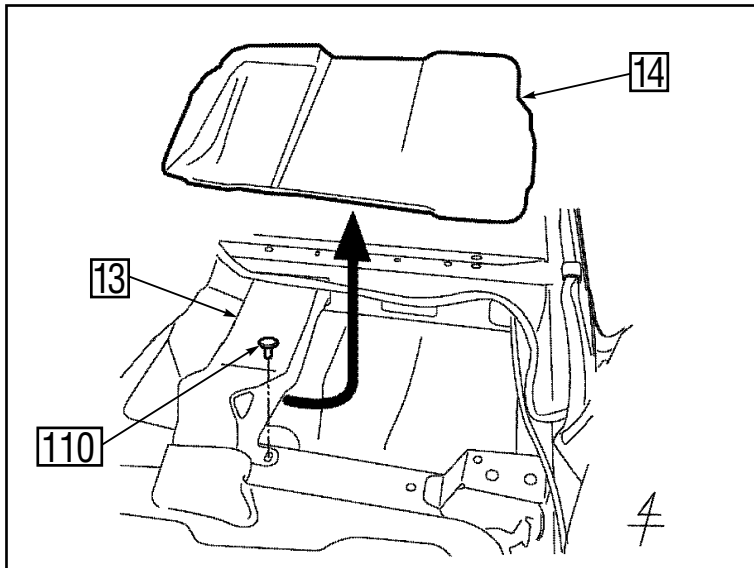


Fig. 11

11.
 - a) Remove the clip 110 of the duct 13.
 - b) Remove the silencer mat 14.

3.2 INSTALLATION UNDER THE DRIVER SEAT

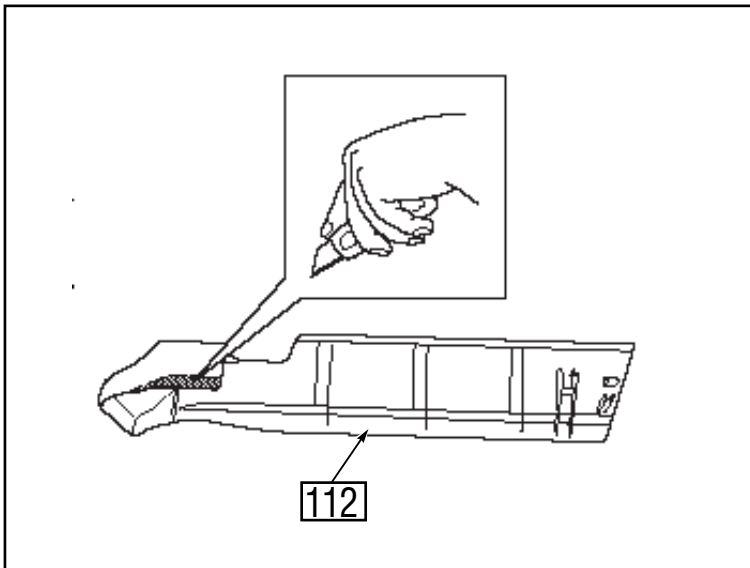


Fig. 12

12. Hold the seat side trim **112** as shown and cut off a small part at the front 5mm wide for 55mm long.

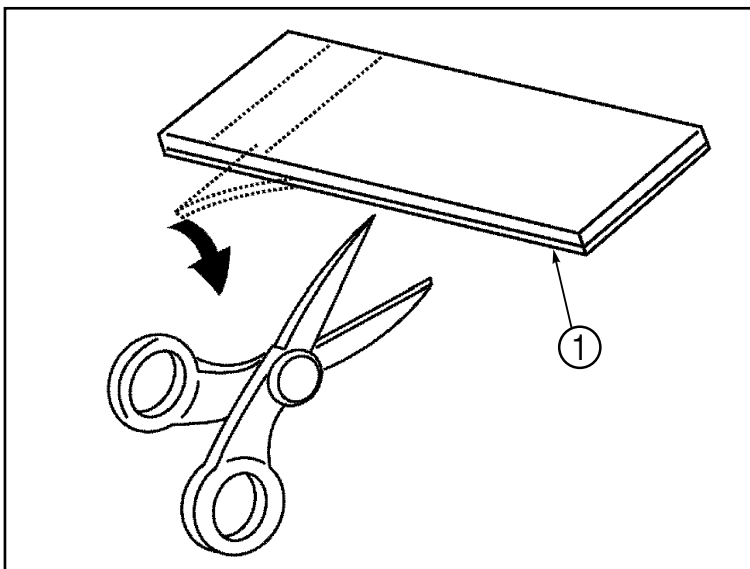


Fig. 13

13. Cut the tape **①** into 10 pieces.

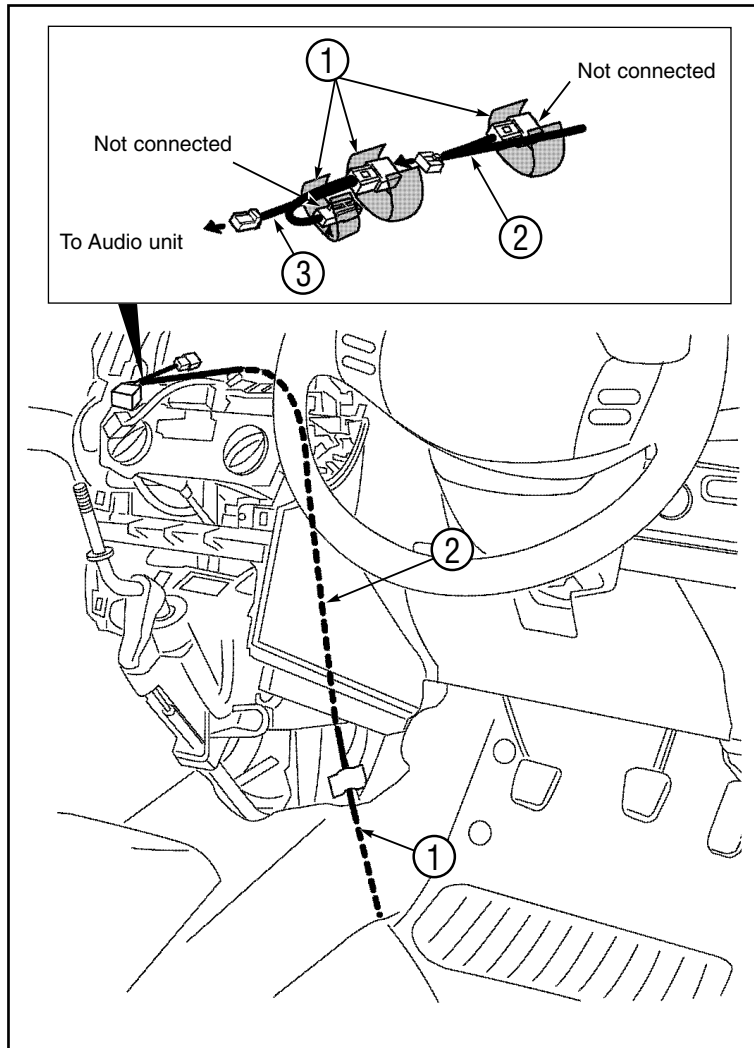


Fig. 14

14. Route the changer wire ② and attach using tape ①.
① : Tape (1x)

ONLY IN CASE OF FULL MAP NAVIGATION

15. Connect the conversion harness ③ (08695-00370).

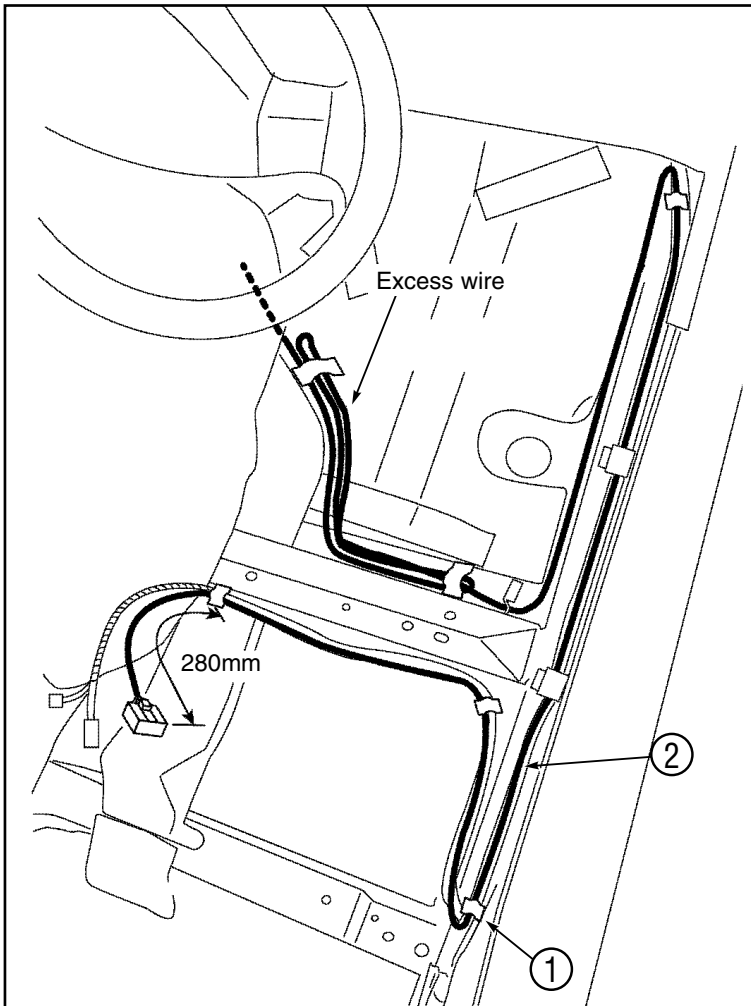


Fig. 15

16.
 - a) Route the changer wire ② and attach using tape ①.
①: Tape (4x)
 - b) Attach the excess wire of the changer wire ② as shown using tape ①.
①: Tape (2x)

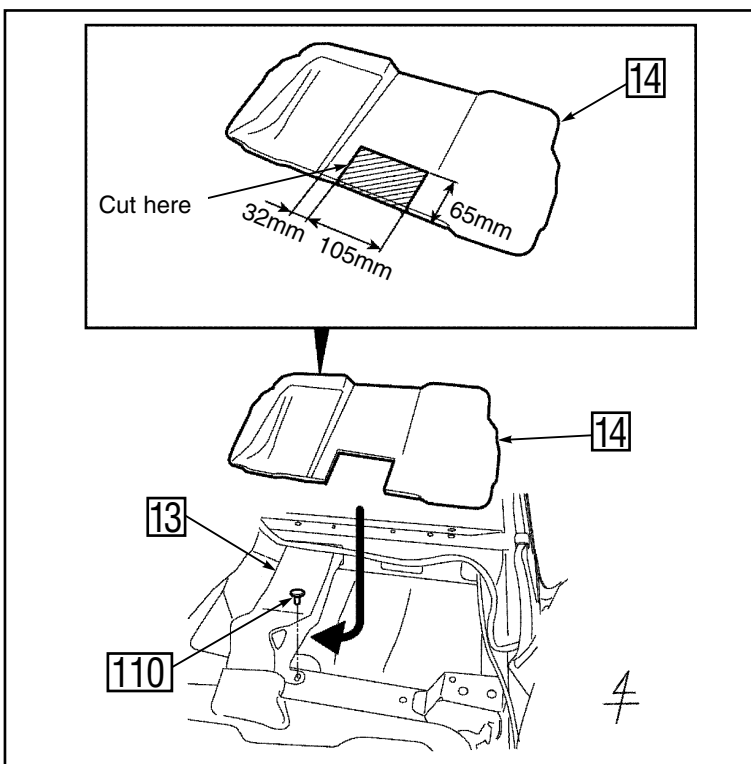


Fig. 16

17.
 - a) Cut the silencer mat ⑭ as shown.
 - b) Reinstall the silencer mat ⑭.
 - c) Refit the clip ①①① of the duct ⑬.

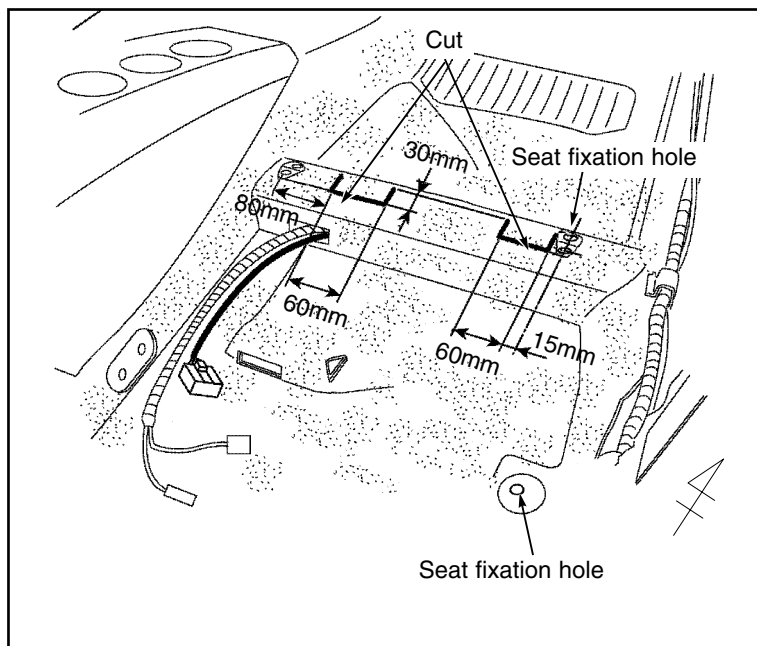


Fig. 17

- 18.
- a) Cut the carpet as shown in the illustration.
- b) Strip off the insulation mat underneath the shaded area.

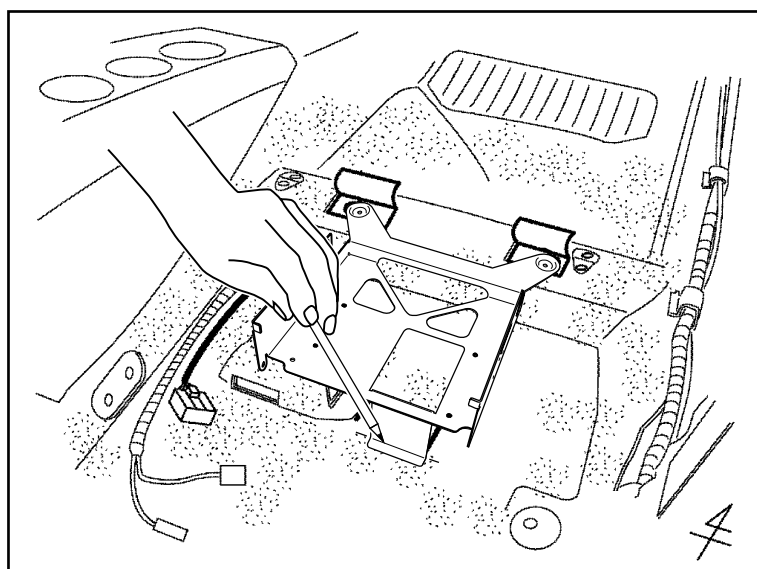


Fig. 18

19. Mark the position of the base bracket as shown.

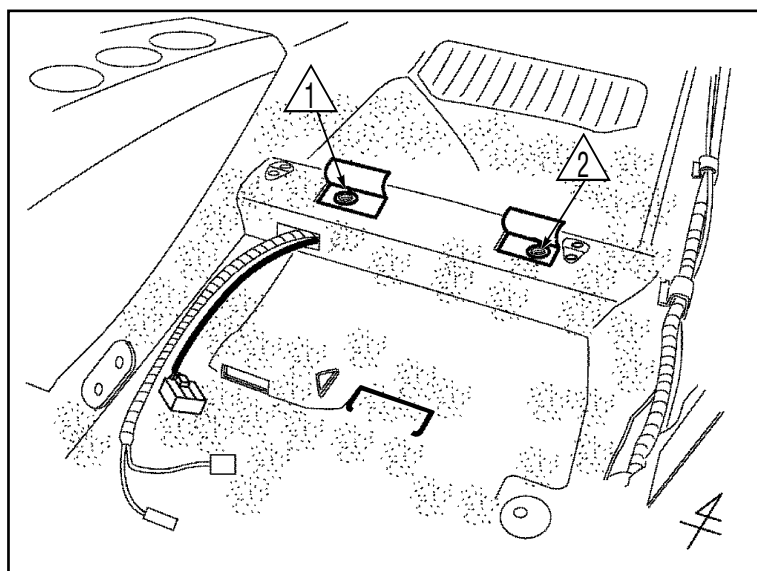


Fig. 19

- 20.
- a) Cut the carpet at the base bracket position as shown.
- b) Fit the anchor nuts ④ in the existing holes △ and △ (Ø10mm).
④: Anchor nut (M5) (2x)

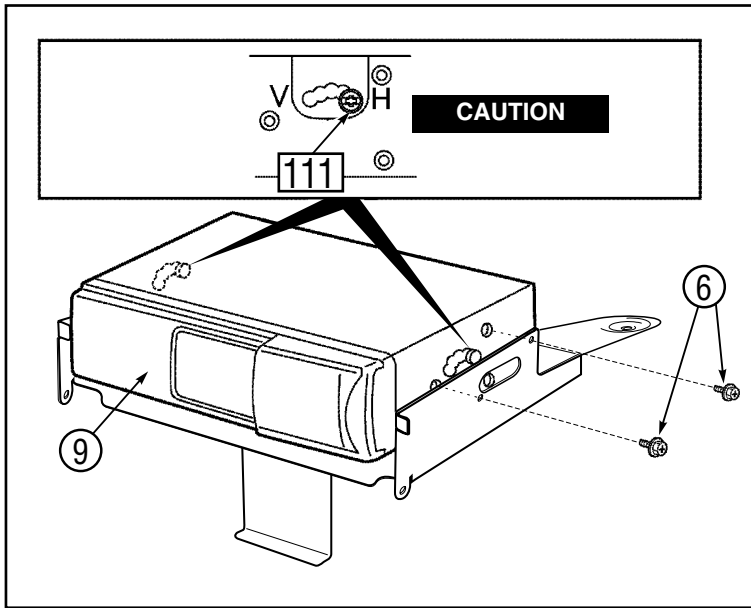


Fig. 20

21. Fit the bracket ⑤ to the changer unit ⑨ using screws ⑥.
 ⑥: Screw (M5x8) (2x)

CAUTION
 Loosen the screws 111 before moving them. Screw up after the position is changed.

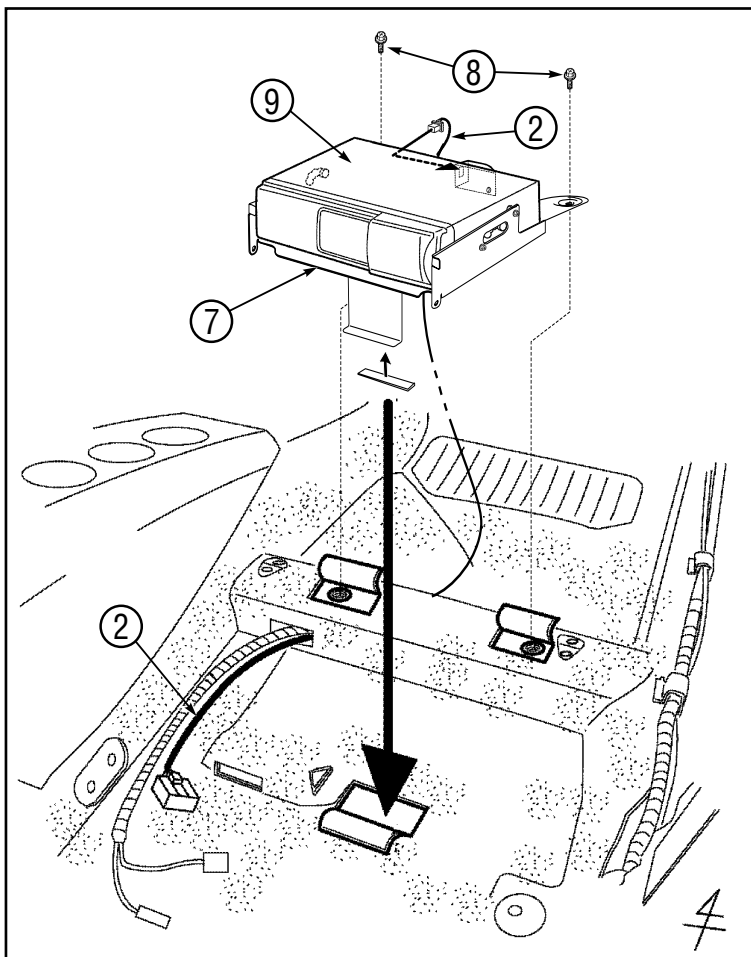


Fig. 21

22.
 a) Attach tape ① to the base bracket ⑦ as shown.
 ①: Tape (70mmx25mm) (1x)
 b) Fit the base bracket ⑦ using screws ⑧.
 ⑧: Screw (M5x16) (2x)
 c) Connect the changer wire ② to the changer unit ⑨.



4. SUBWOOFER INSTALLATION

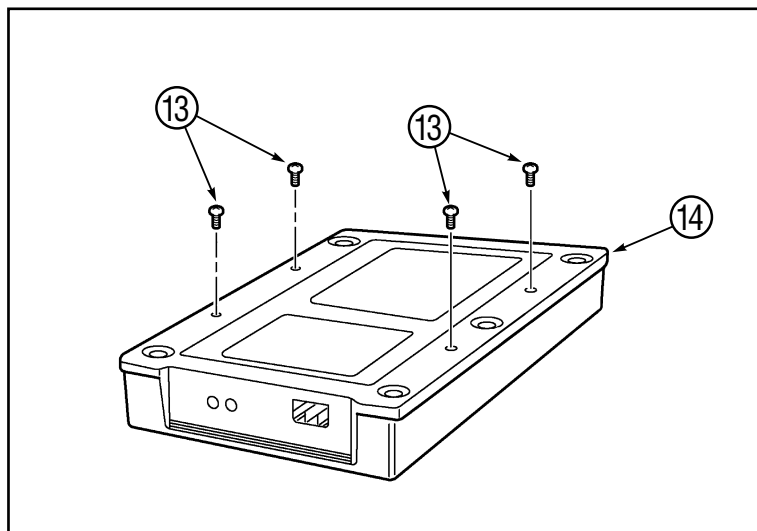


Fig. 22

1. Remove the screws ⑬ from the subwoofer ⑭.

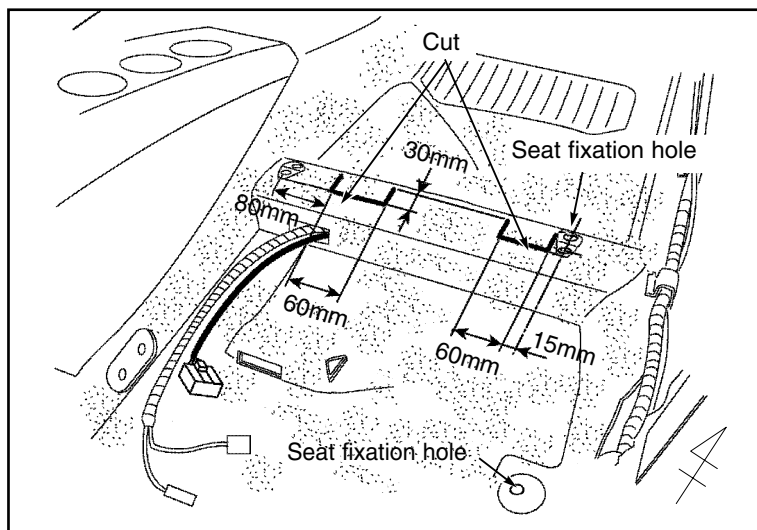


Fig. 23

2.
 - a) Cut the carpet as shown in the illustration.
 - b) Strip off the insulation mat underneath the shaded area.

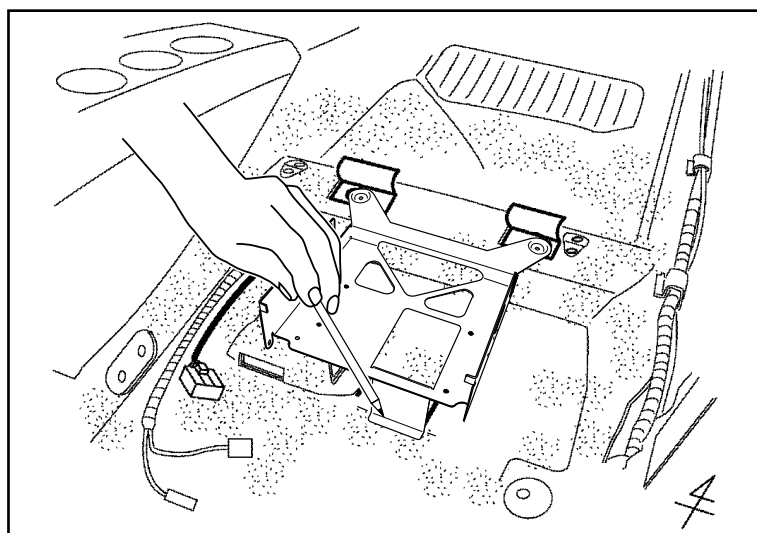


Fig. 24

3. Mark the position of the base bracket as shown.

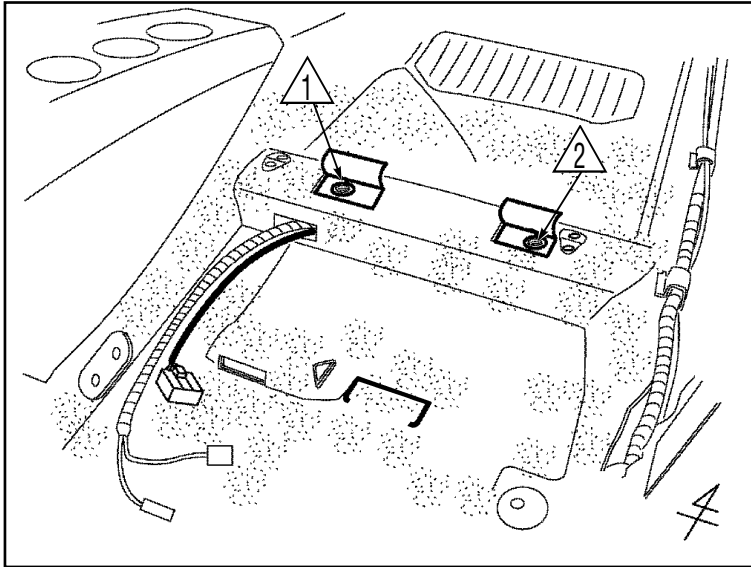


Fig. 25

- 4.
- a) Cut the carpet at the base bracket position as shown.
- b) Fit the anchor nuts ④ in the existing holes \triangle and \triangle (Ø10mm).
④: Anchor nut (M5) (2x)

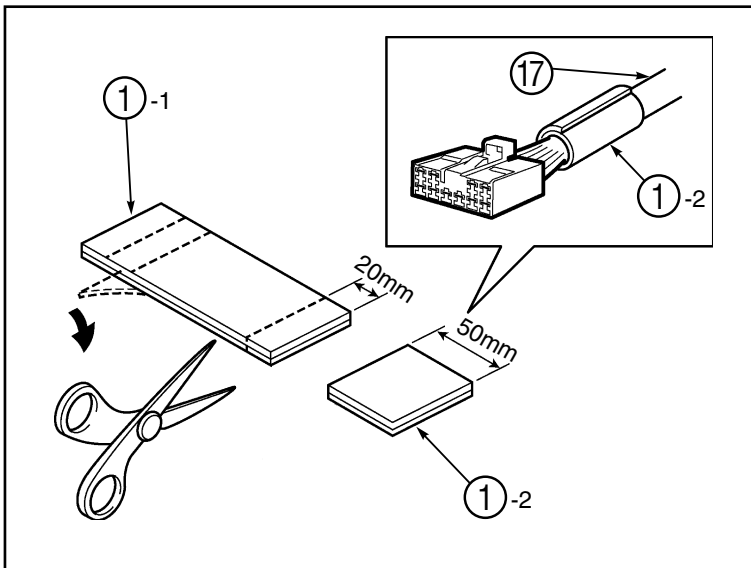


Fig. 26

- 5.
- a) Cut the tape ① into 11 pieces.
- b) Wrap tape ①-2 to the subwoofer harness ⑰ as shown.

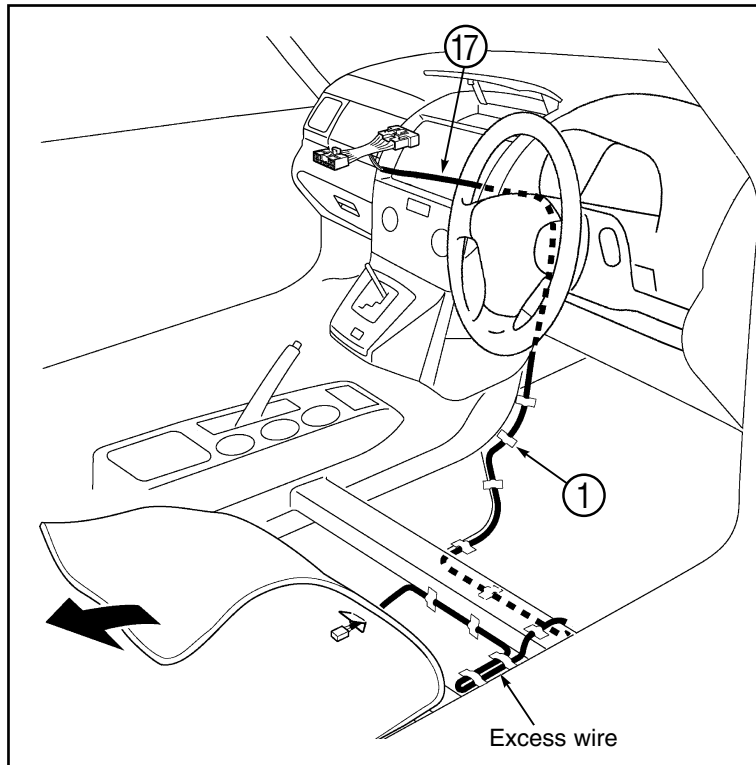


Fig. 27

- 6.
 - a) Fold up the floor carpet 21.
 - b) Route and attach the subwoofer wire harness 17 using tape 1.
- 1: Tape (10x)

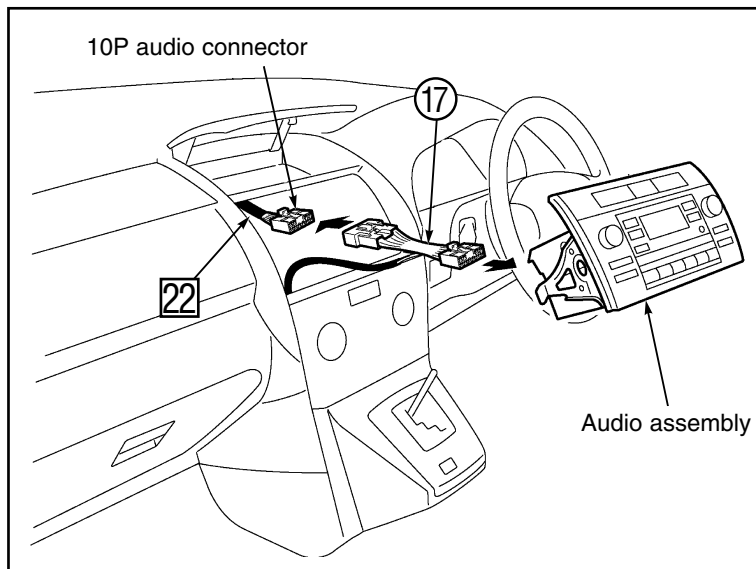


Fig. 28

7. Connect the subwoofer wire harness 17 to the 10P audio connector of the vehicle wire harness 22.

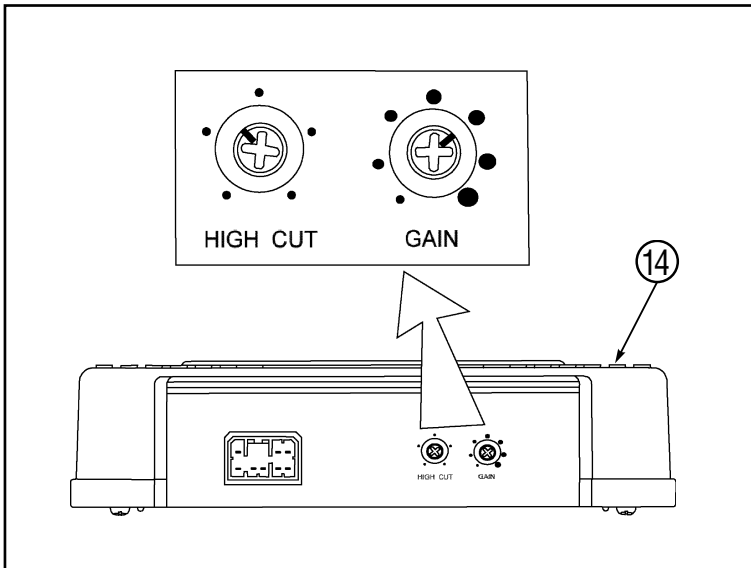


Fig. 29

8. Before fitting the subwoofer (14) adjust the sensitivity to the correct position.

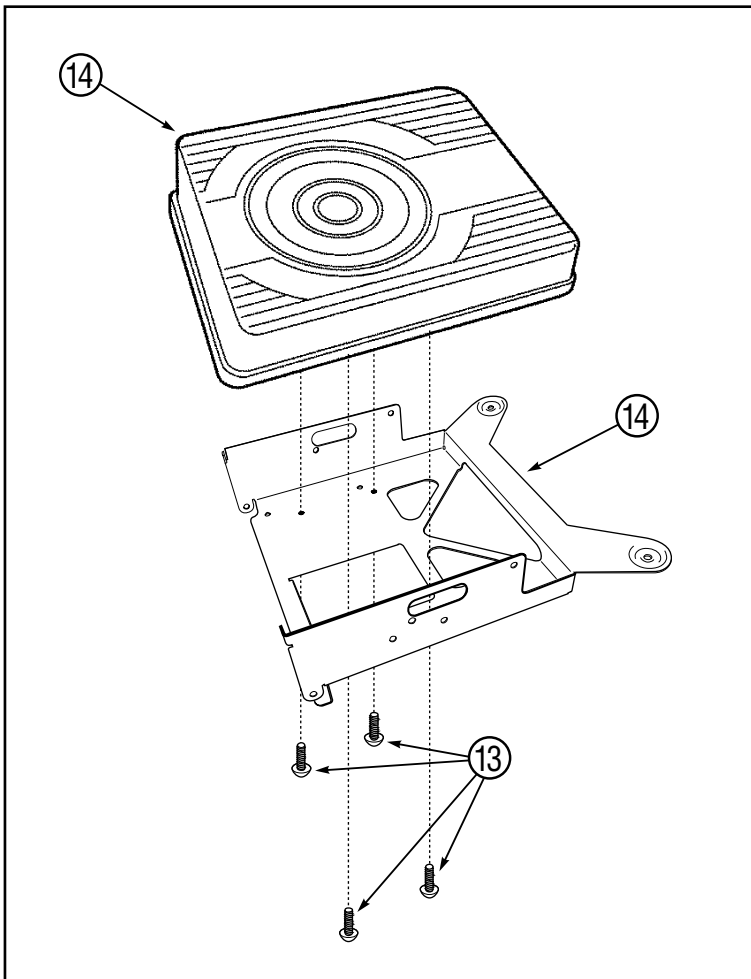


Fig. 30

9. Fit the bracket (15) to the subwoofer (14) using the screws (13) (4x).

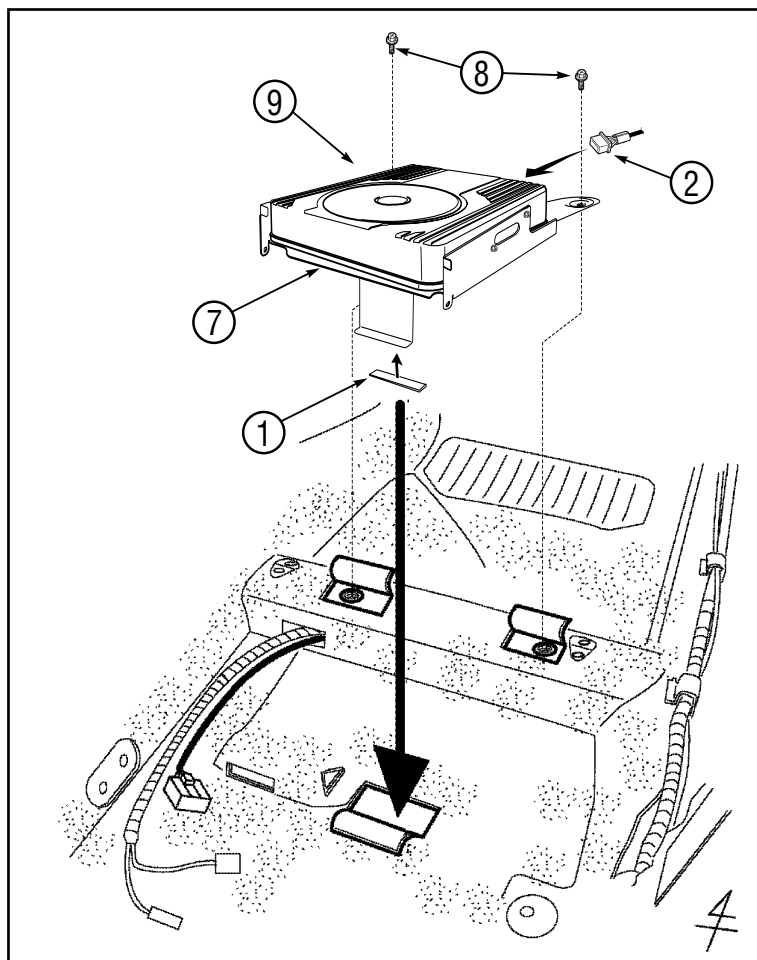


Fig. 31

- 10.
- a) Attach tape ① to the base bracket ⑦ as shown.
①: Tape (70mmx25mm) (1x)
 - b) Fit the base bracket and the subwoofer ⑦ using screws ⑧.
⑧: Screw (M5x16) (2x)
 - c) Connect the subwoofer wire harness ② to the subwoofer ⑨.

**ENSURE THAT ALL REMOVED CONNECTORS ARE PUT BACK CORRECTLY.
REFIT THE TRIM AND REMOVED PARTS.**

TOYOTA
GENUINE PARTS