



TOYOTA

ALWAYS A
BETTER WAY

Toyota C-HR

Front skirt

Installation instructions

Model year: 2016/10
Vehicle code: **X*O*-AH***W
Part number: PW154-10000

Manual reference number: AIM 003 845 - 2

Revision Record

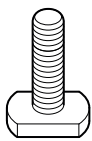
Rev. No.	Date	Page	Picture	Update	New	Deleted steps
1	21.10.16	2, 13		X		
1	21.10.16	4 - 12	1 - 6, 9 - 18, 21 - 23	X		
1	21.10.16	6, 10	7, 8, 19		X	
2	07.03.17	8, 12, 13	14	X		

PW154-10000



A

1x



B

5x

C

5x

D

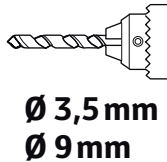
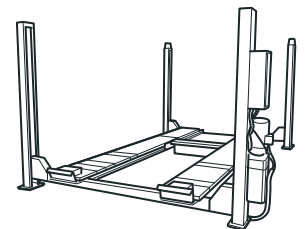
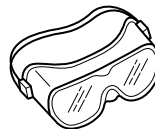
2x

E

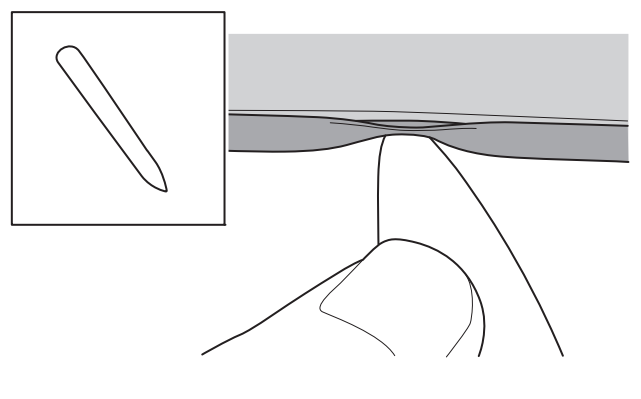
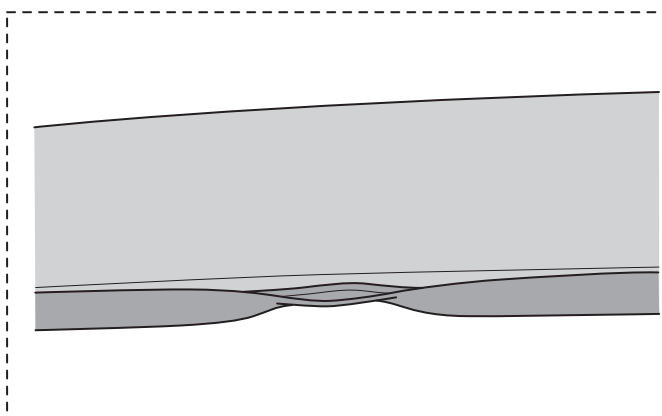
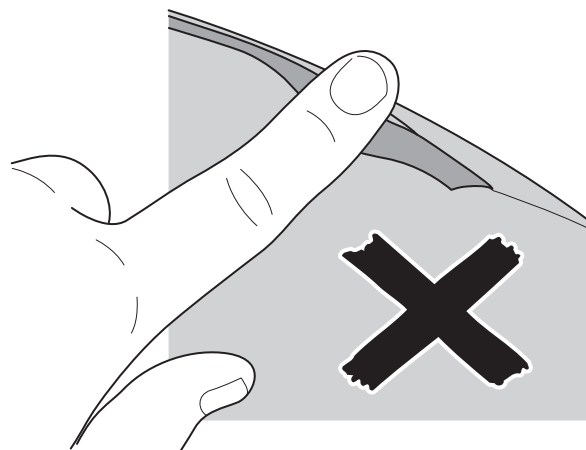
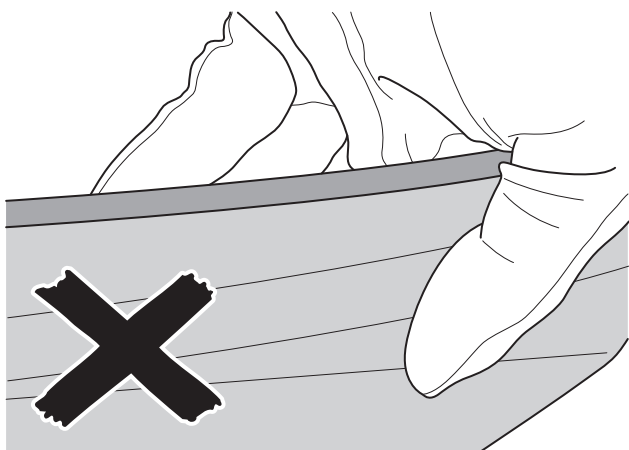
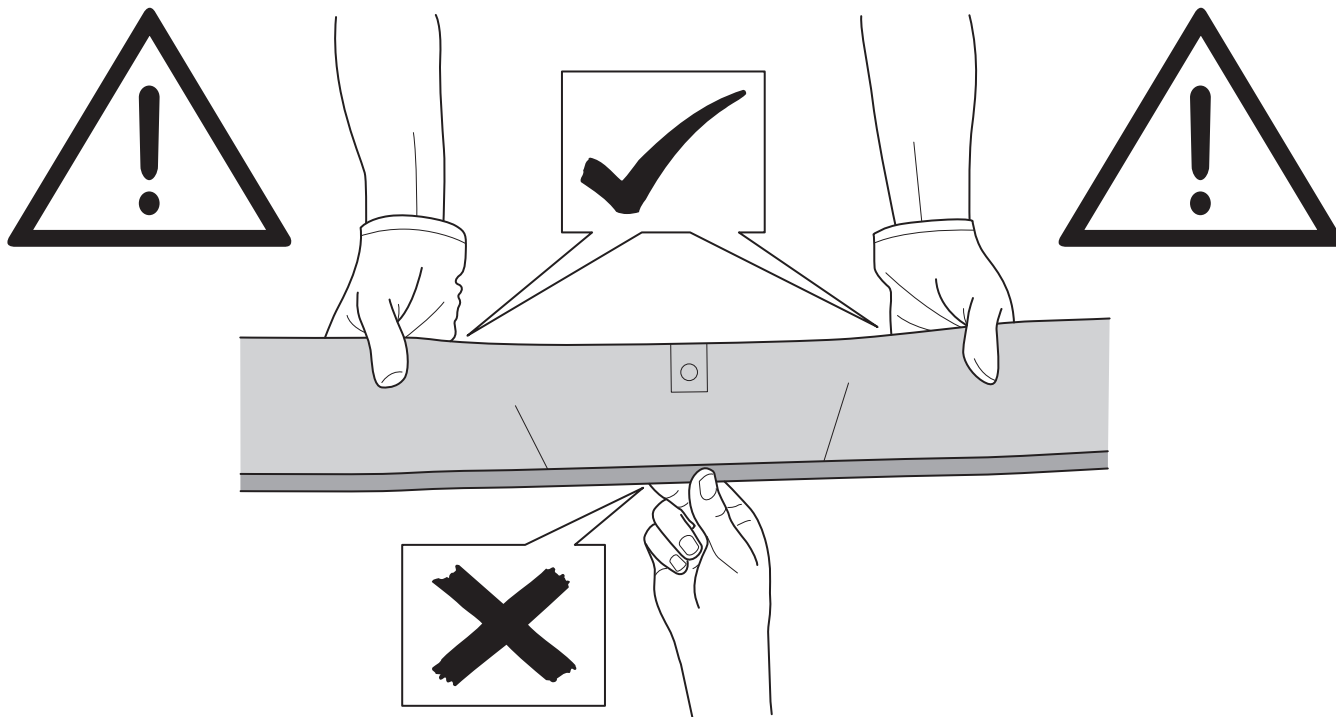
5x

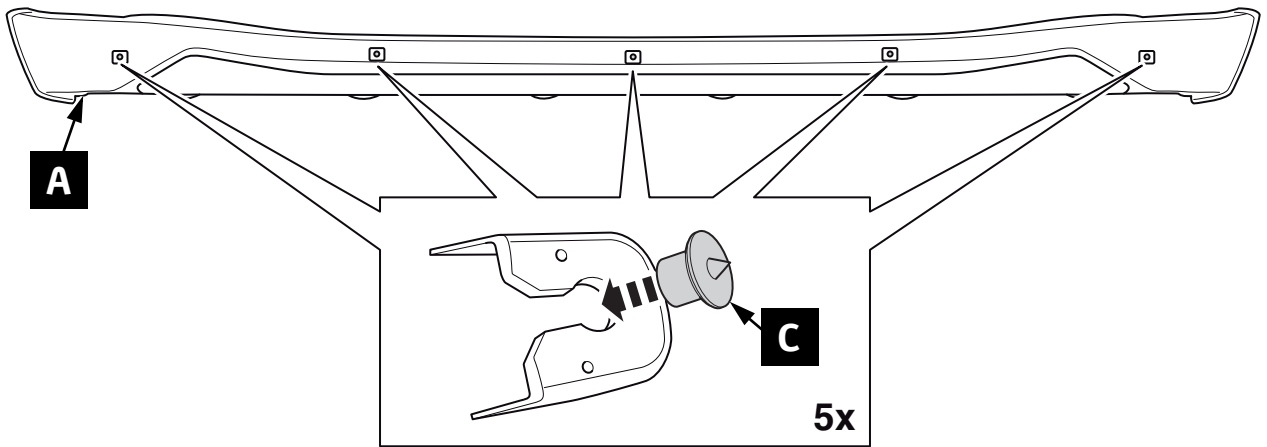
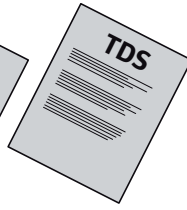
F

5x

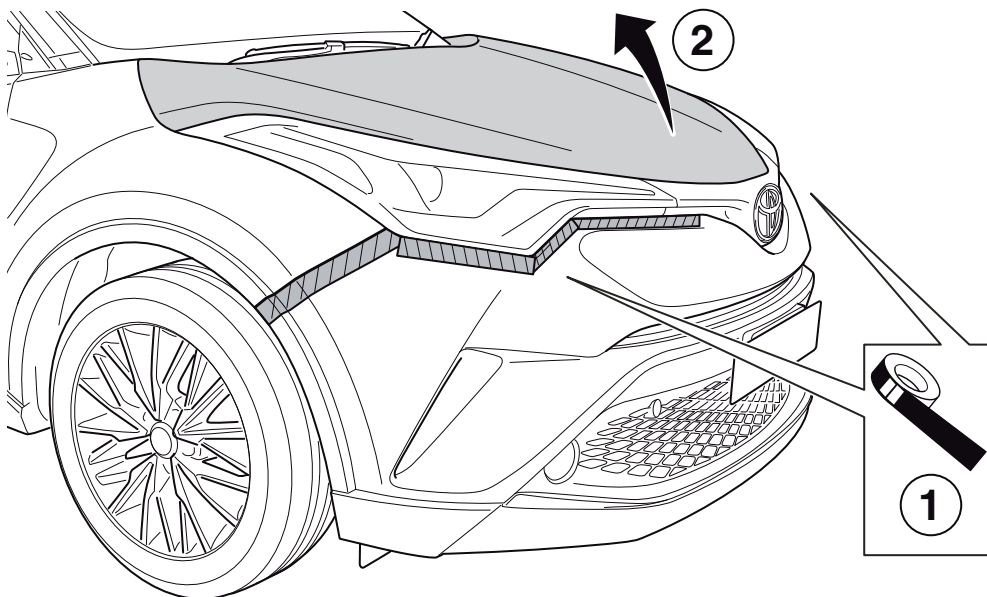


INFO

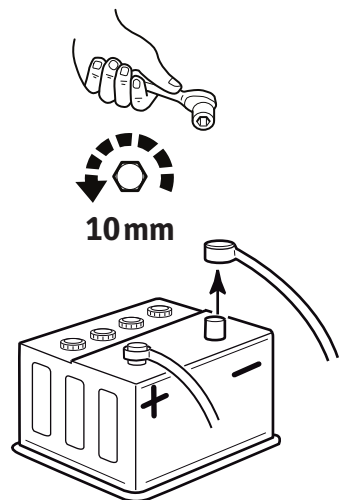




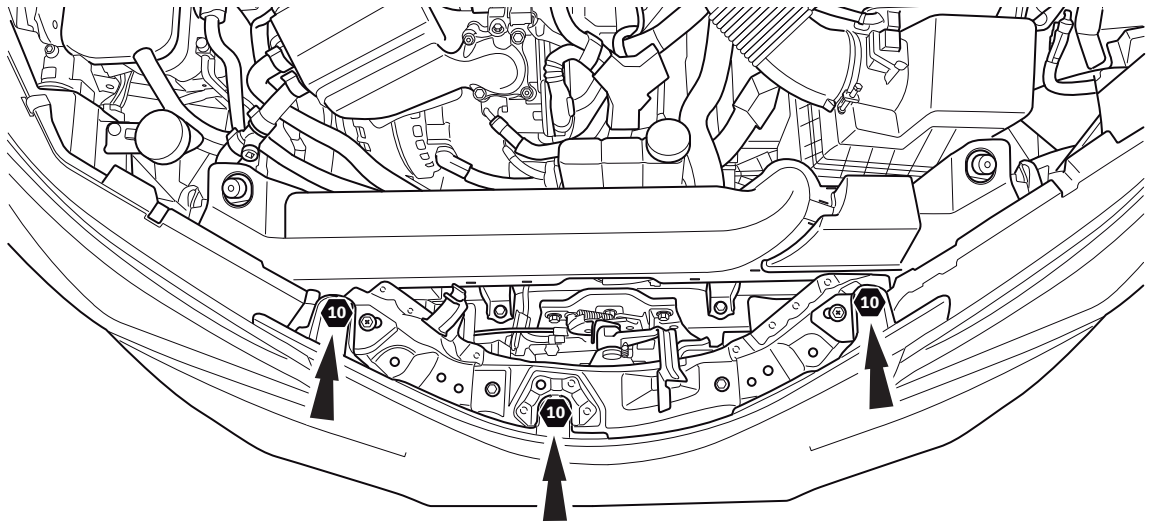
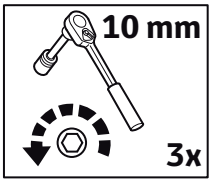
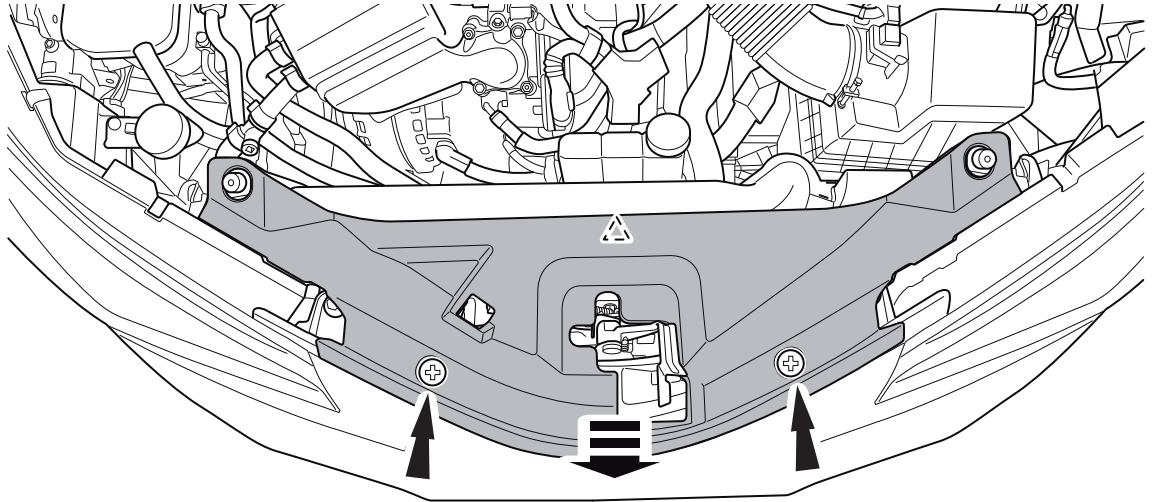
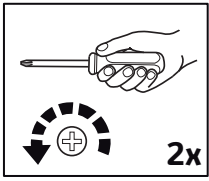
1



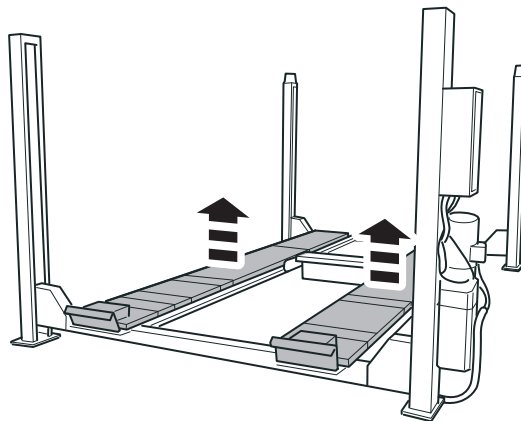
2



3

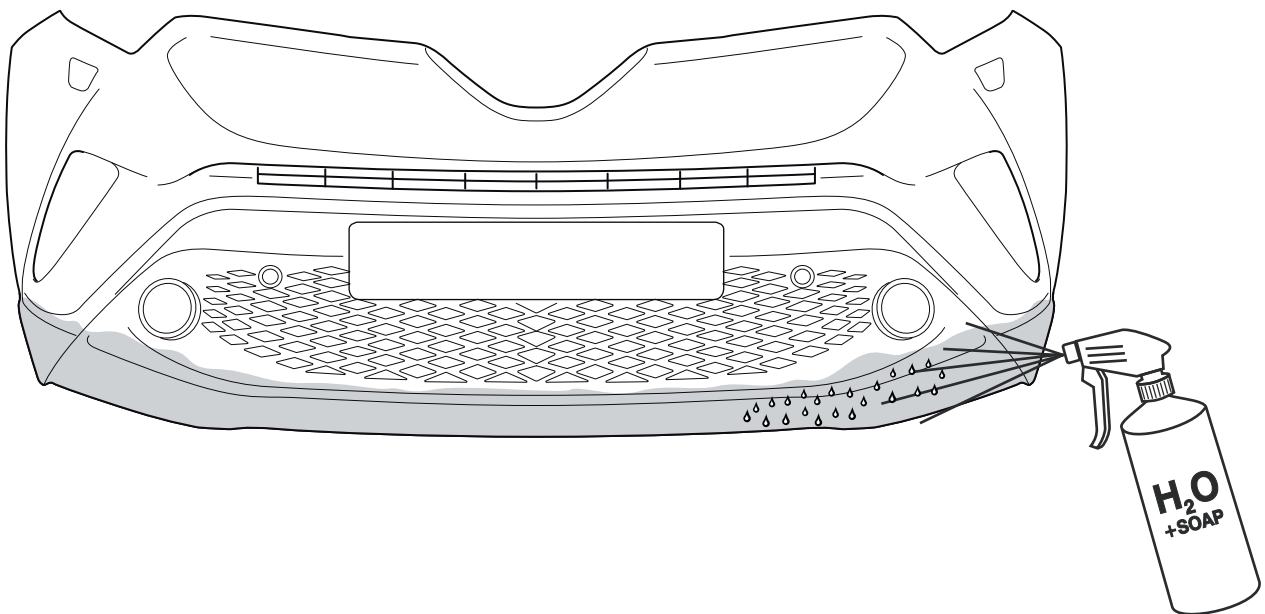
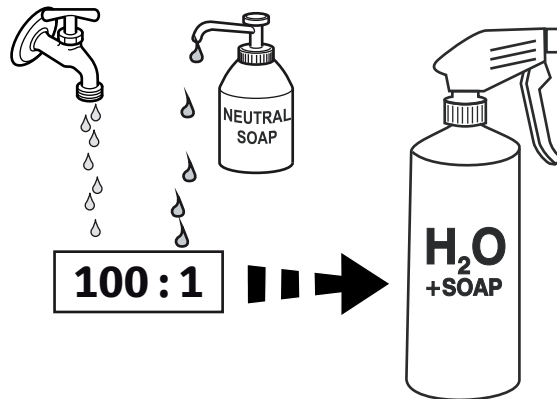
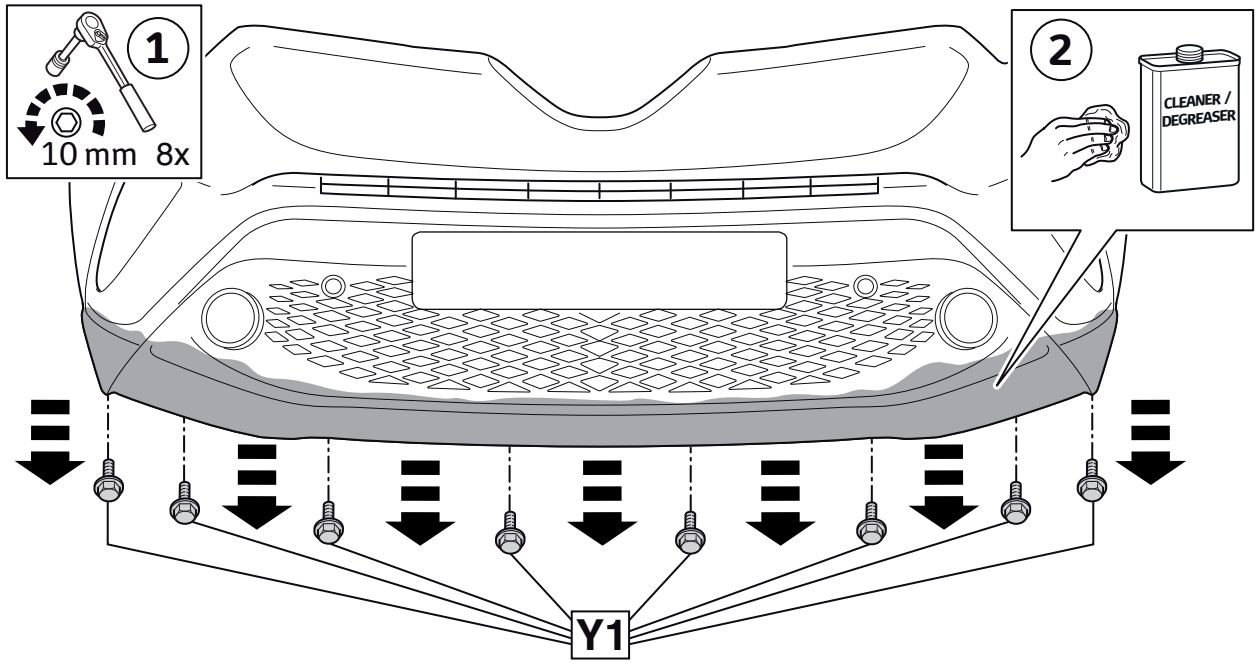


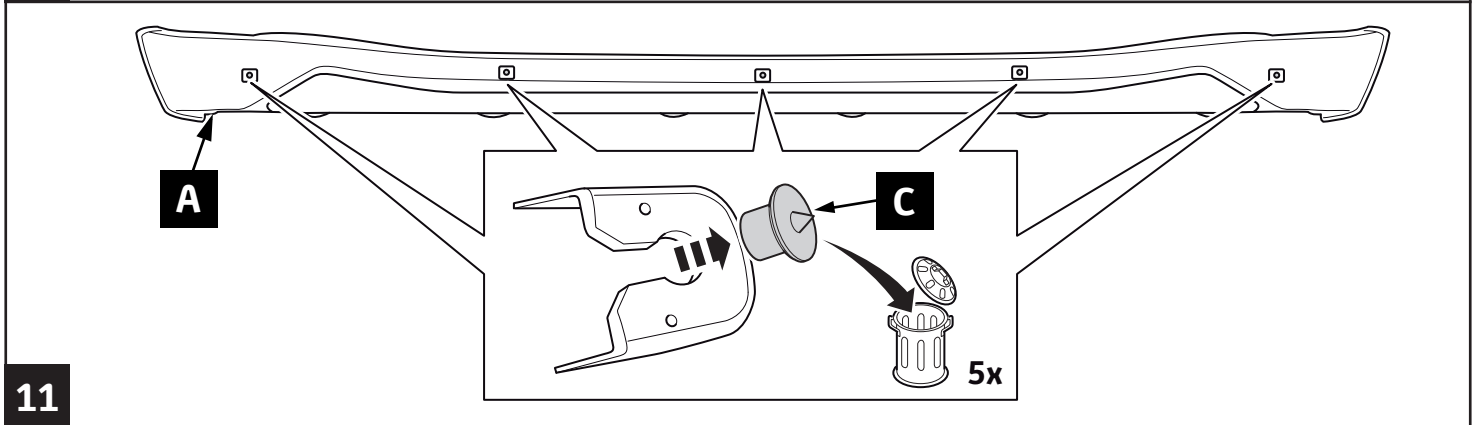
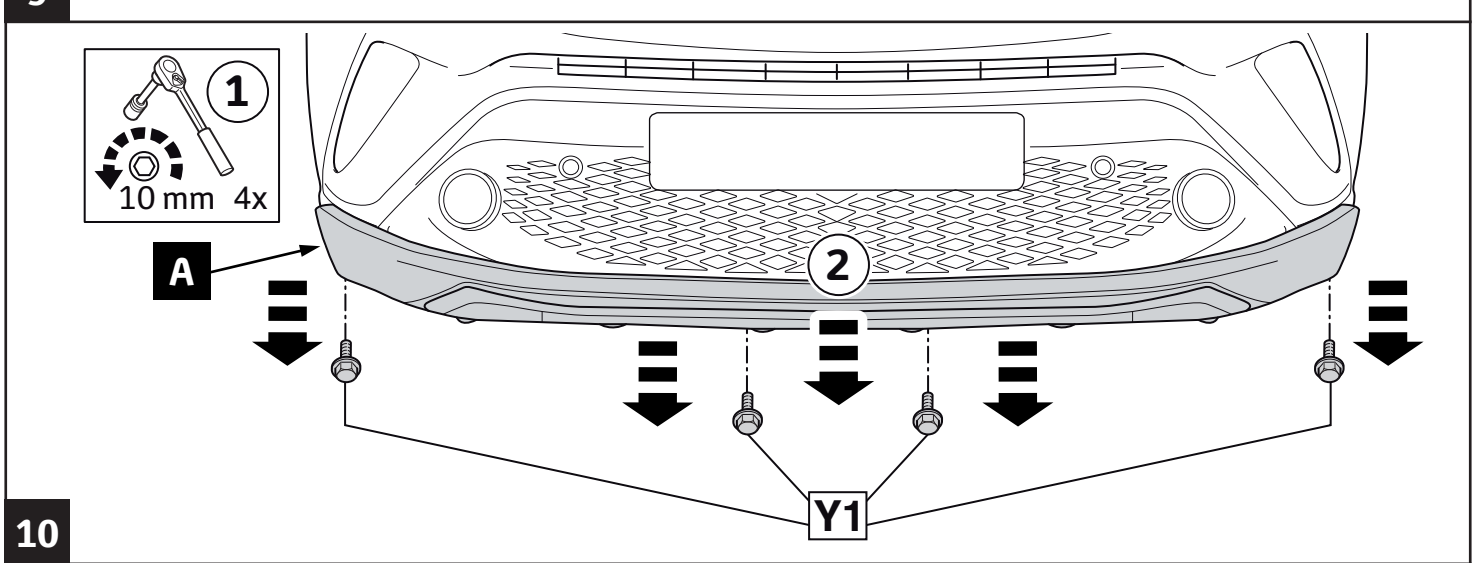
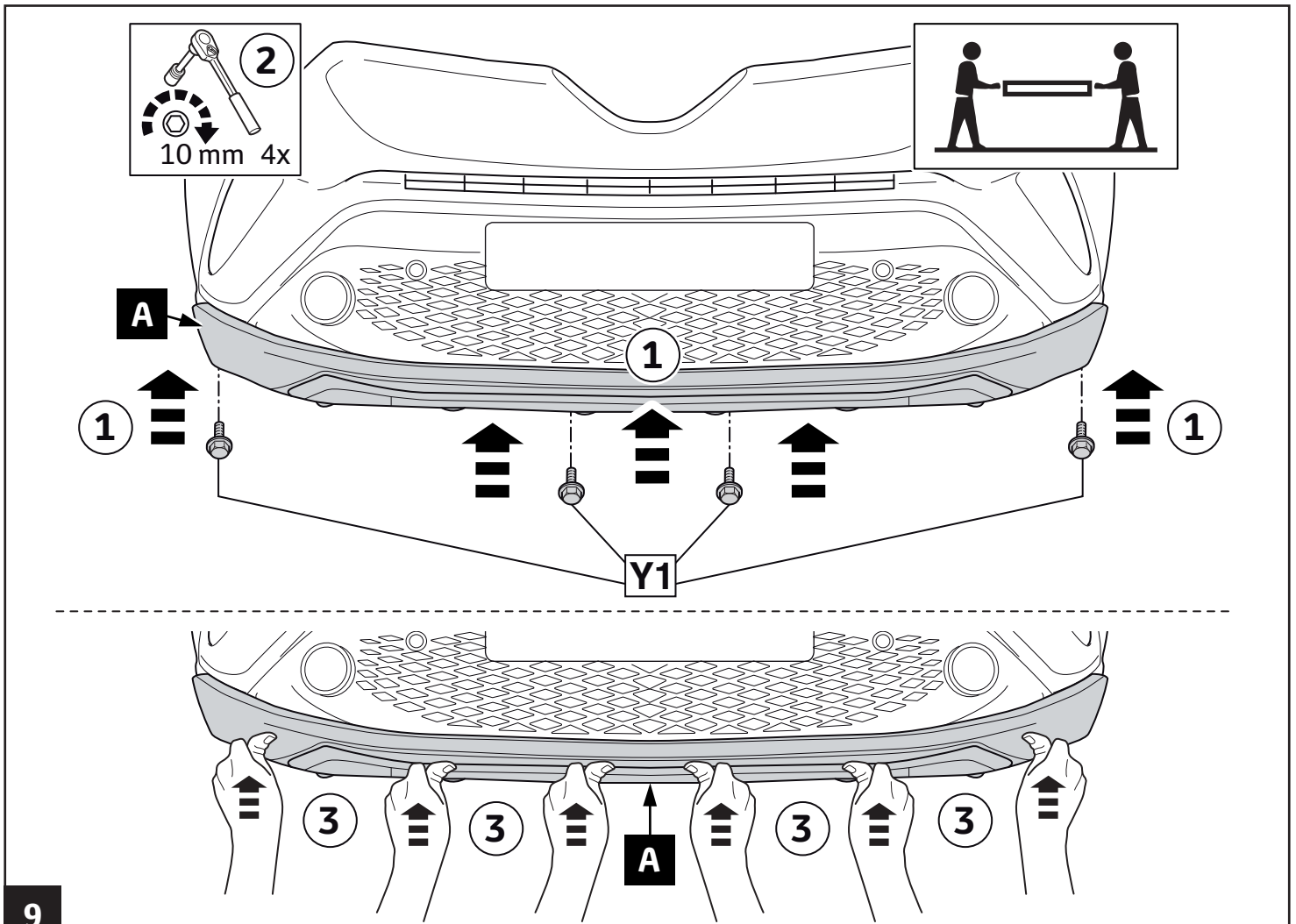
4

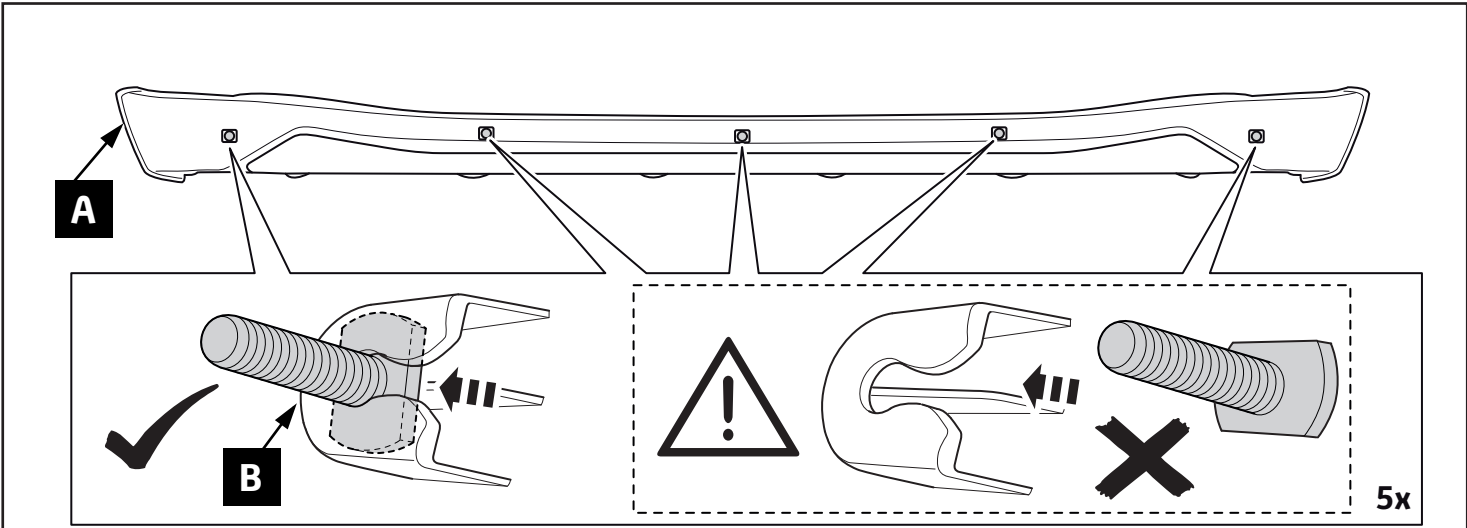


5

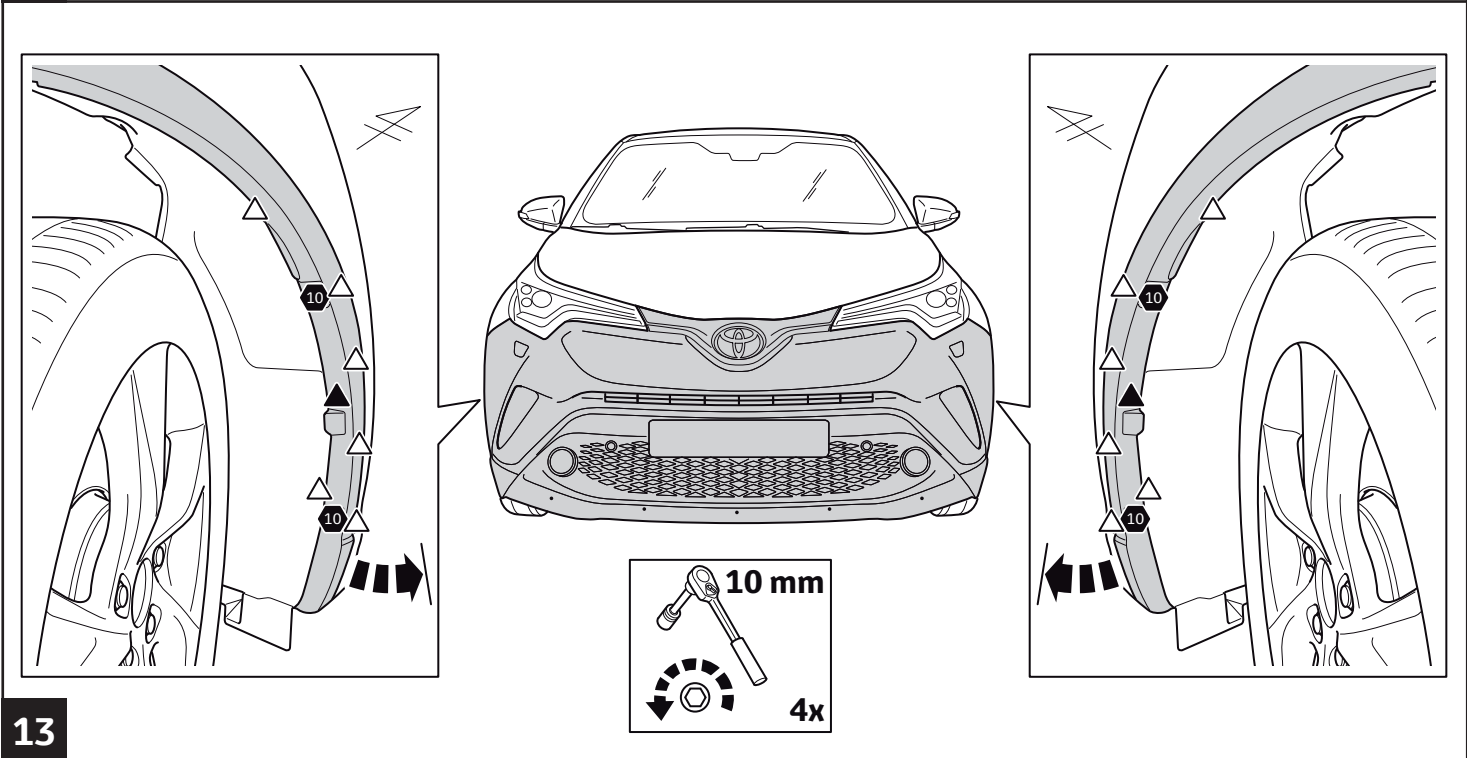
=	=	=	=	=
=	=	=	=	= START



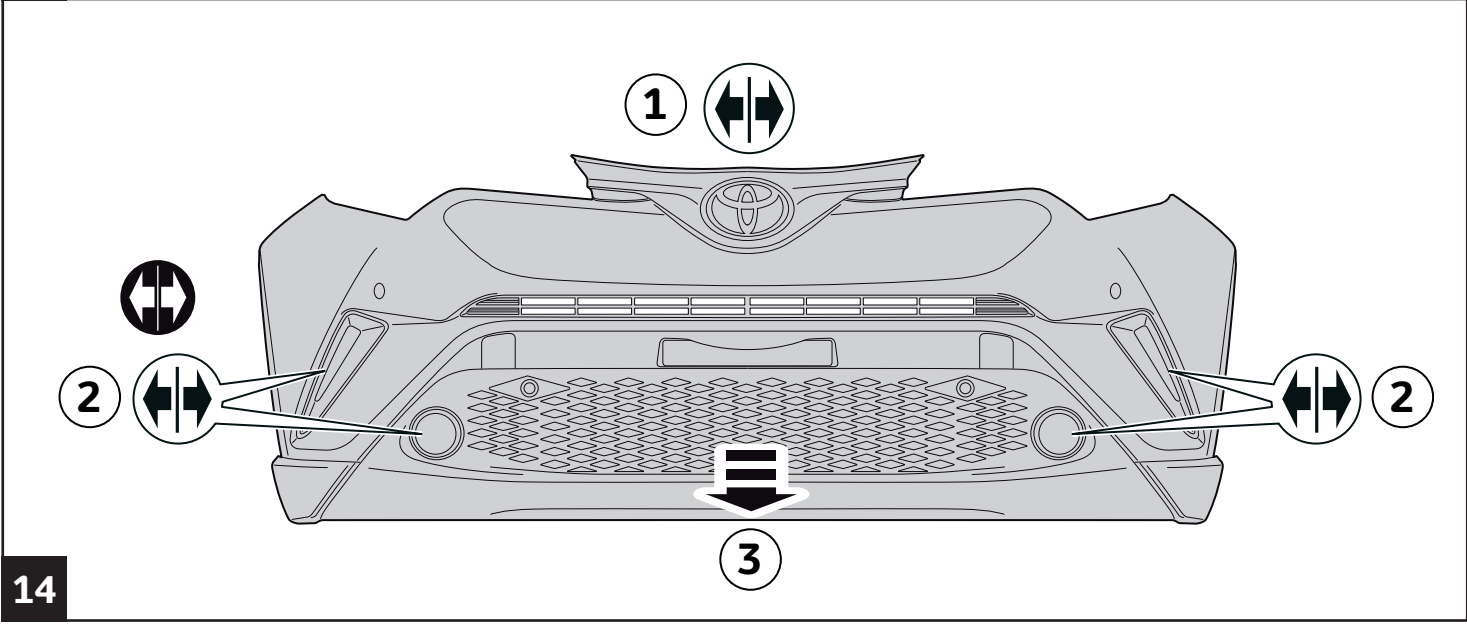




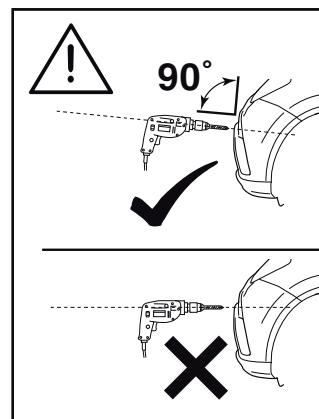
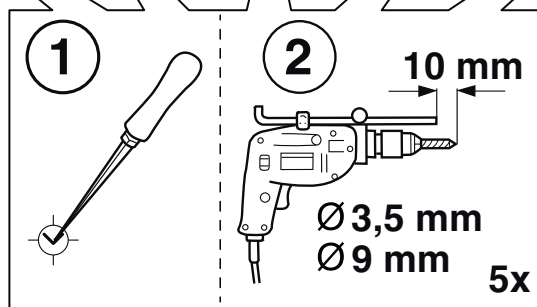
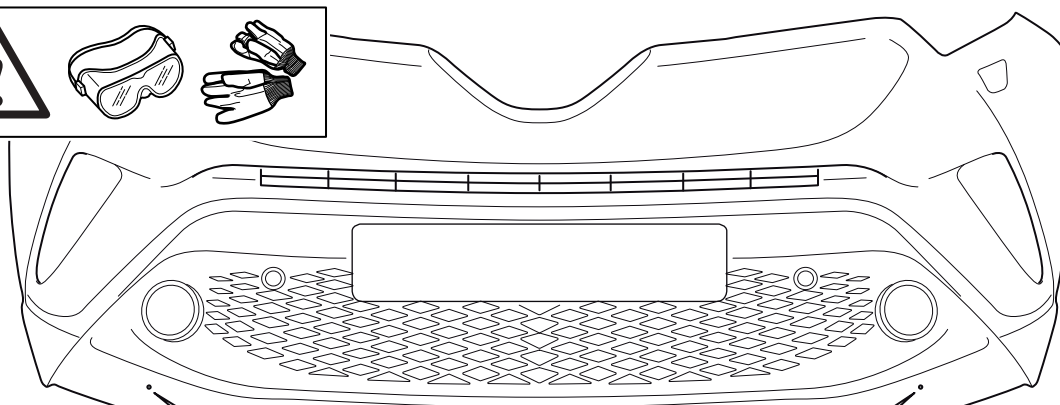
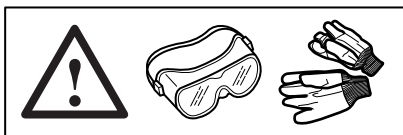
12



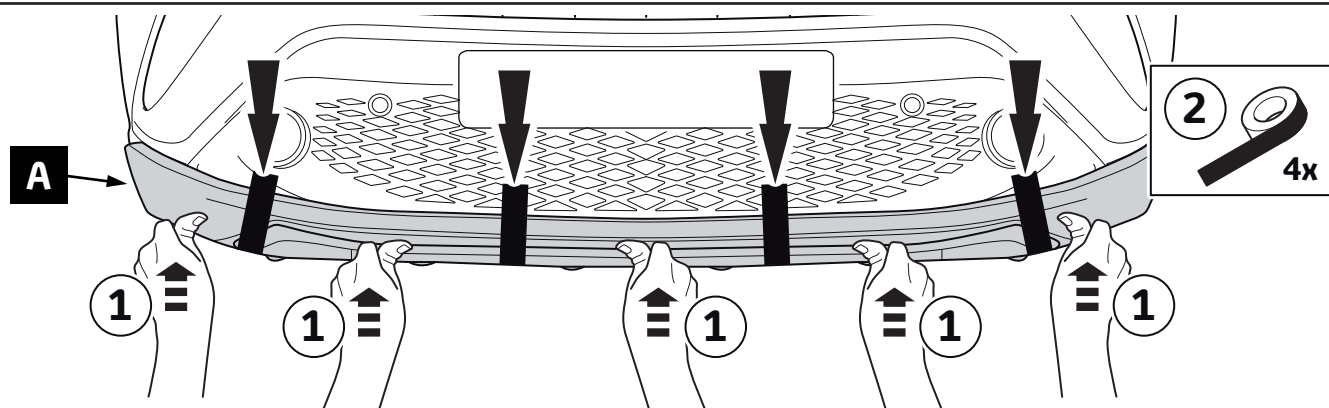
13



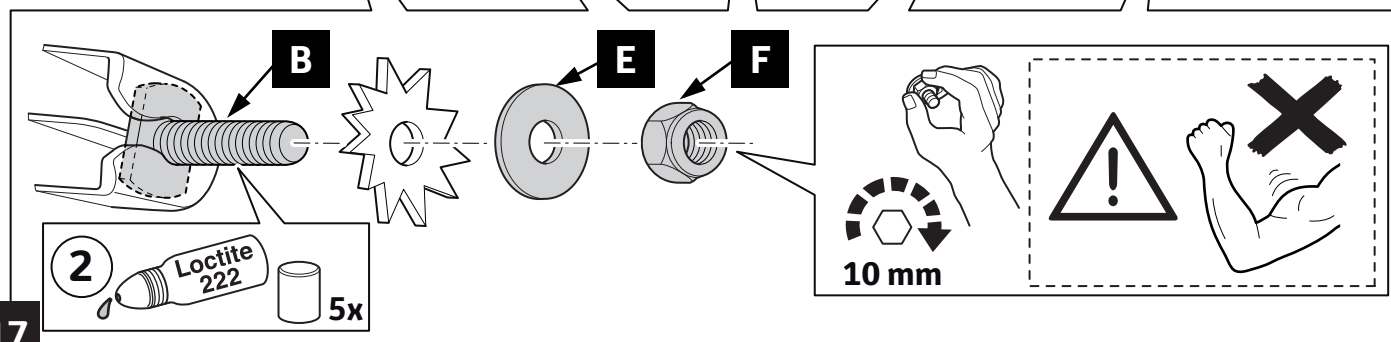
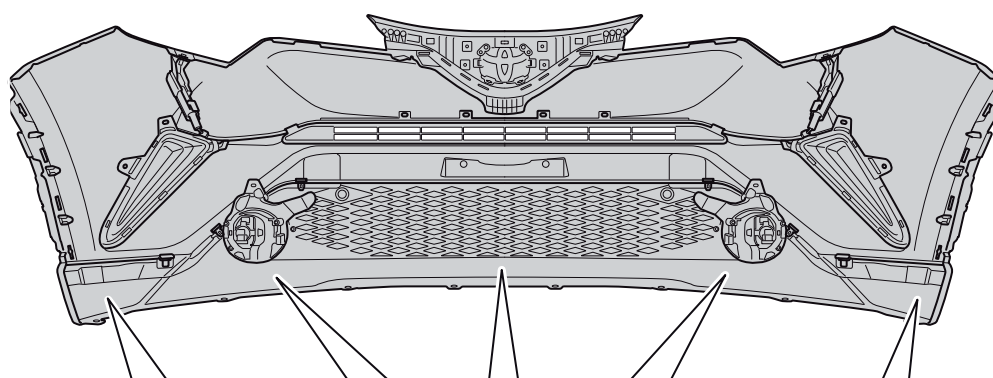
14



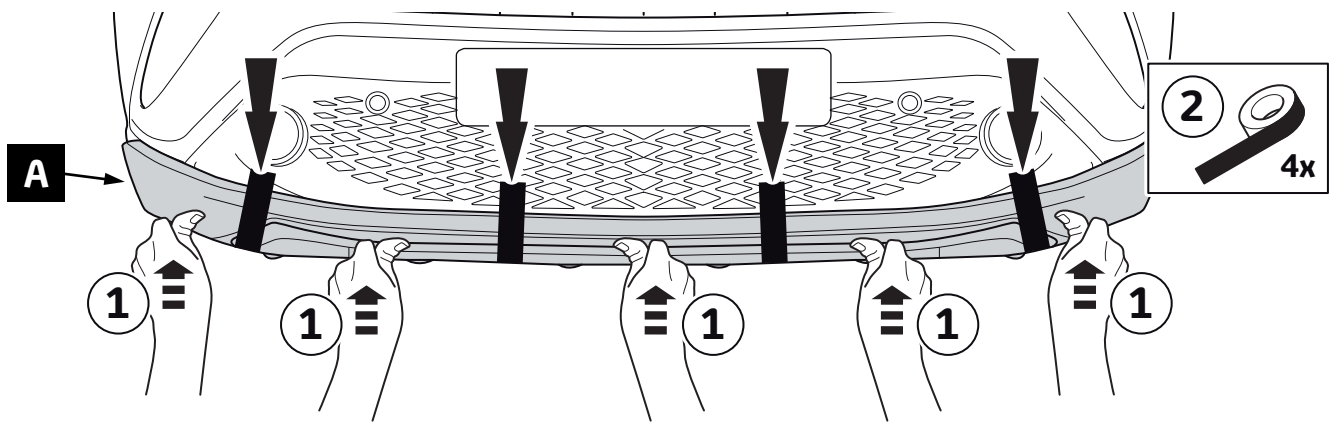
15



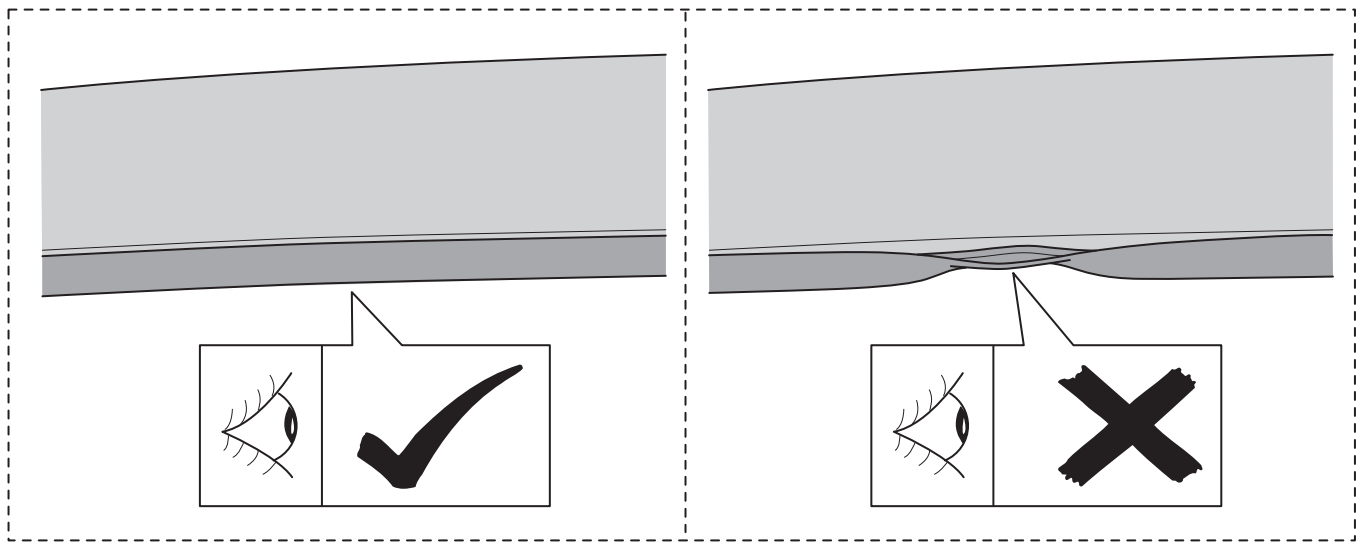
16



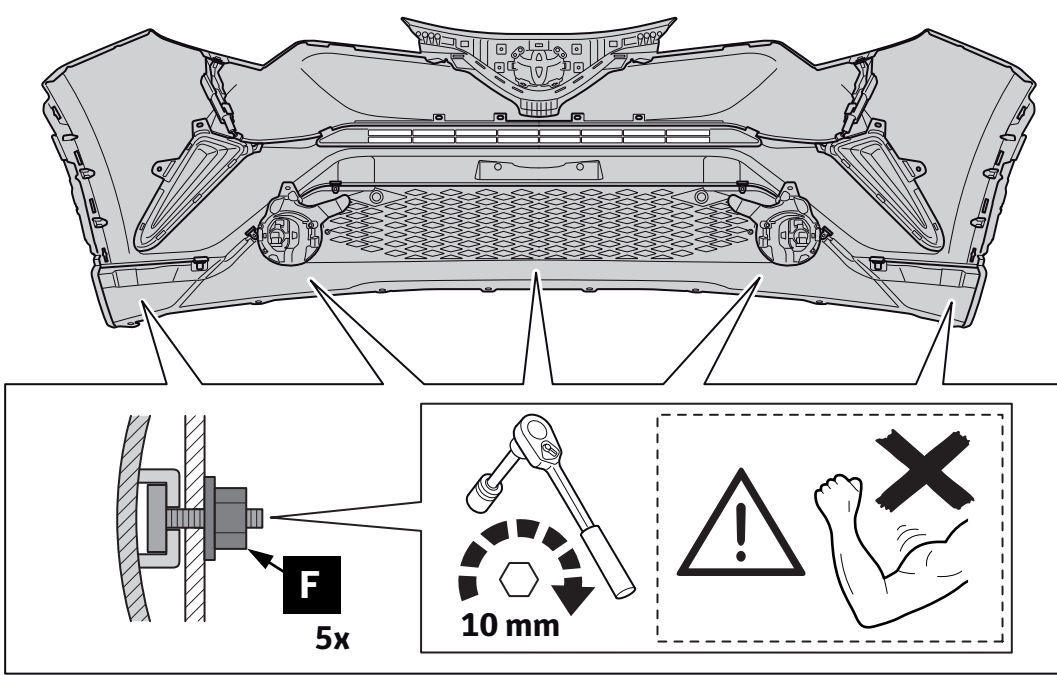
17



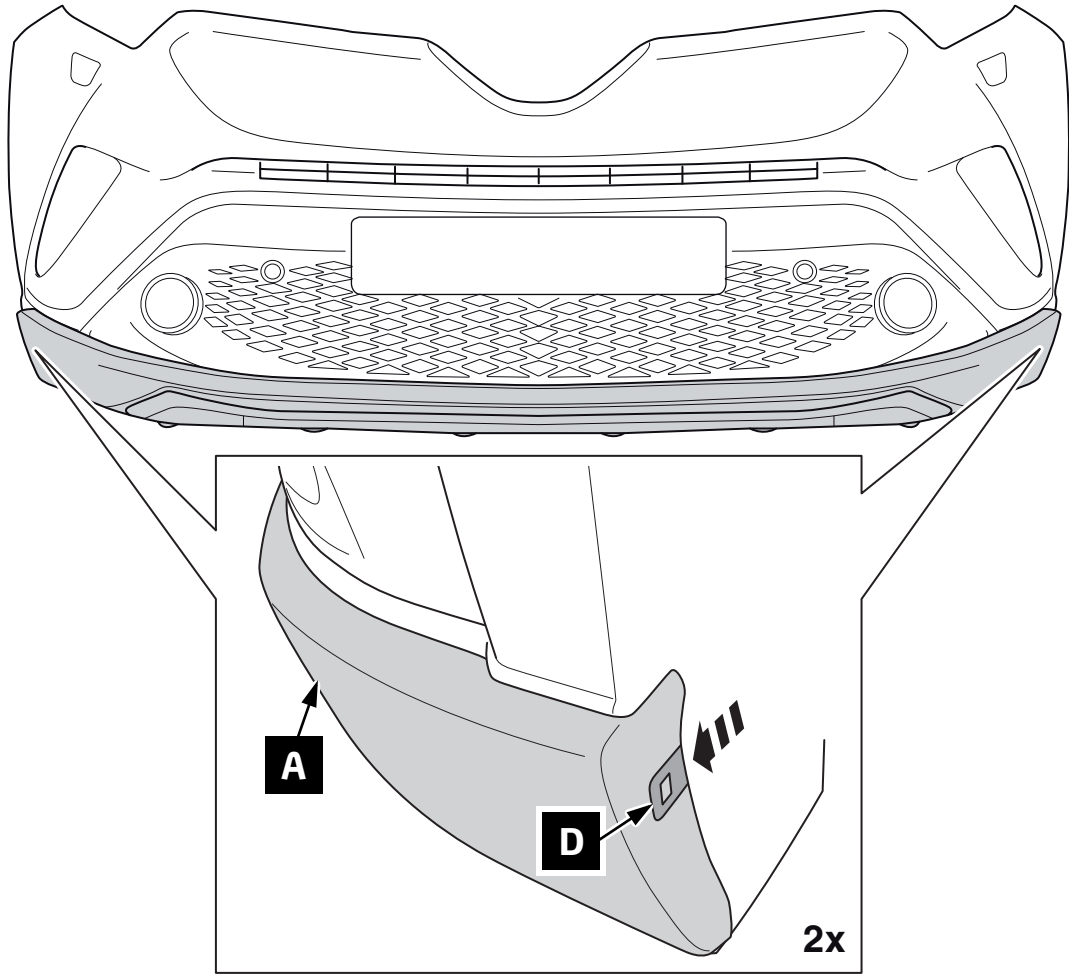
18



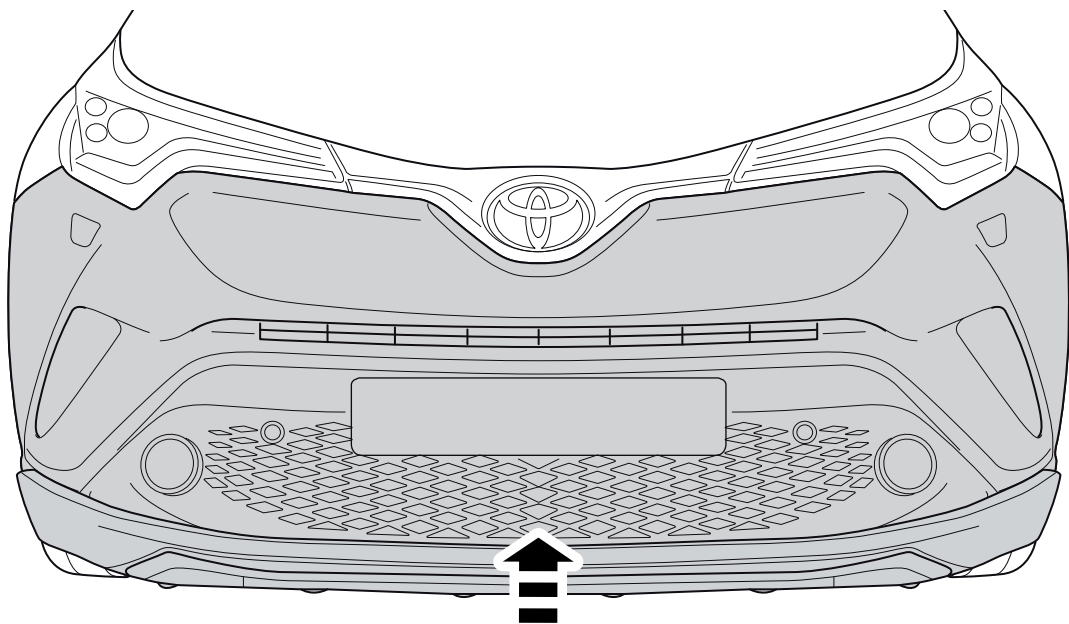
19



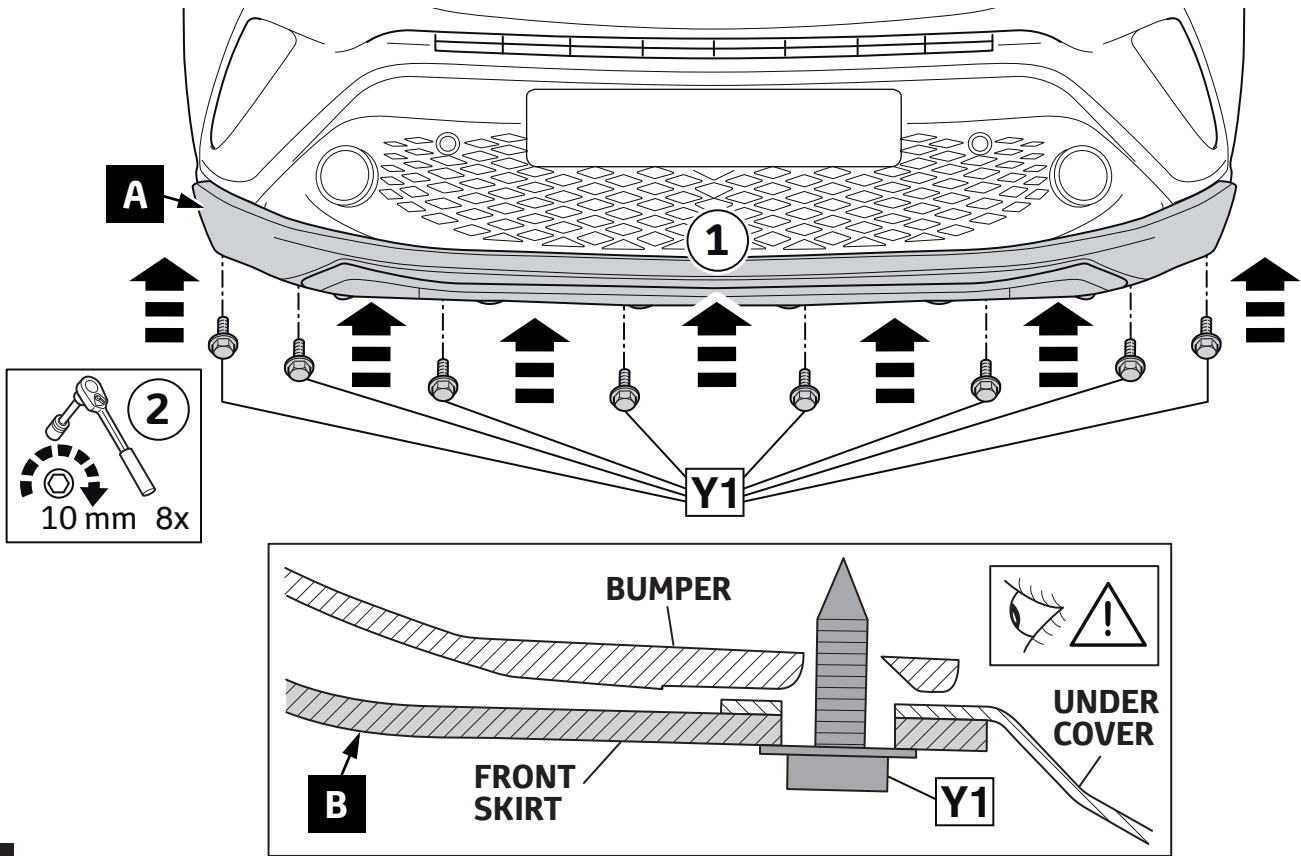
20



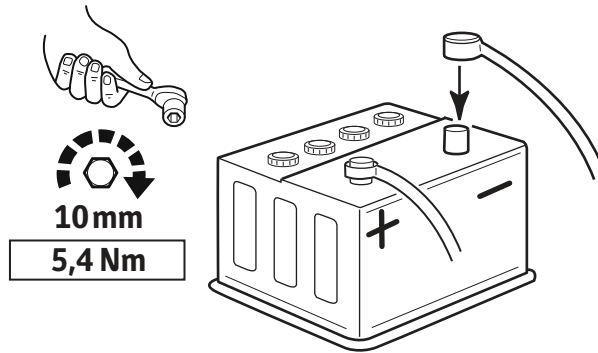
21



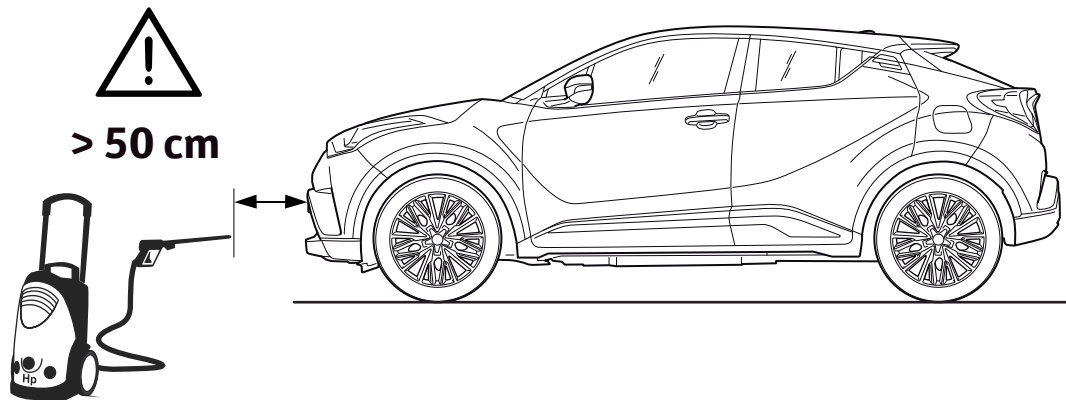
22



23



24



CHECK SHEET



TOYOTA

ALWAYS A BETTER WAY

Model / Year Toyota C-HR
2016/10

Front Skirt

VIN n°

P/N = OK

5,4 Nm

Serial Number

No DTC = OK

= OK

T1/T2/T3/T4

Beep

= OK

Installation Date:
... / ... / ...

Technician Name & Signature:

Stamp: