

AYGO X

Scuff Plates

Installation Instructions

Model year: As from 2022/03

Vehicle code: KGB70*-AH**KW

Part number: PW382-0H000-DC SUPER RED (3P0)
PW382-0H001-CE BLACK (202)

**Latest Version
SCAN HERE**



Manual reference number: AIM 006 152-3

CLICK TO NAVIGATE

REVISION RECORD

Page

3

KIT CONTENT

Page

4

TOOLS

Page

4

CONSUMABLES

Page

4

PERSONAL PROTECTION EQUIPMENT

Page

4

USEFUL GENERAL MANUALS

Page

5

GENERAL



Info

Pages

5 - 6

INSTALLATION INSTRUCTIONS

Pages

6 - 11

CHECK SHEET

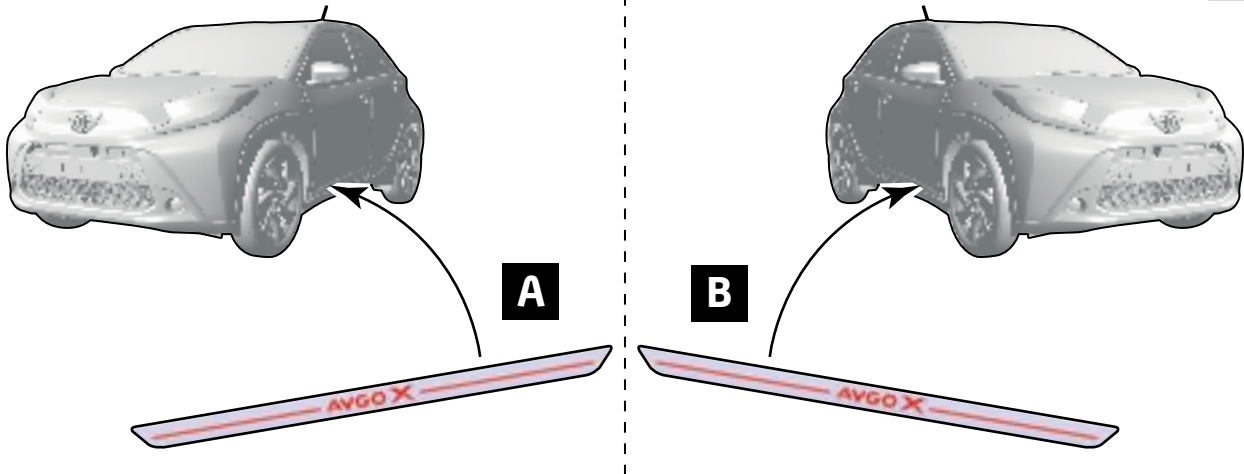


Pages

12 - 13

KIT CONTENT

PW382-0H000-DC
PW382-0H001-CE



1x

TOOLS

PRESSURE ROLLER	PLASTIC TRIM REMOVAL TOOL	TAPE MEASURE	TEMPERATURE SENSOR	

CONSUMABLES

MASKING TAPE	CLEANER / DEGREASER SPRAY			

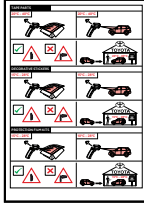
PERSONAL PROTECTION EQUIPMENT

PROTECTIVE GLOVES				

USEFUL GENERAL MANUALS

INSTALLATION CONDITIONS

Latest Version
SCAN HERE



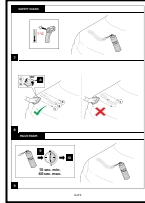
SYMBOLS

Latest Version
SCAN HERE



CLEANER / DEGREASER

Latest Version
SCAN HERE



GENERAL

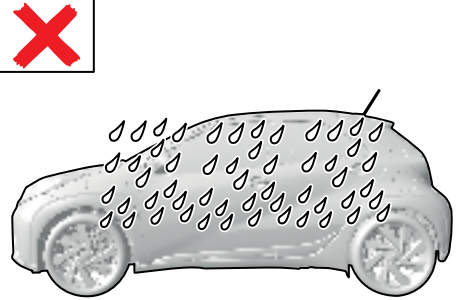
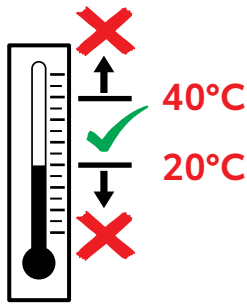
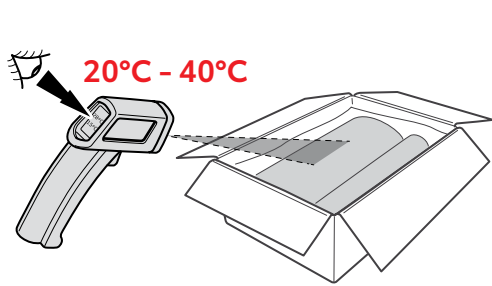
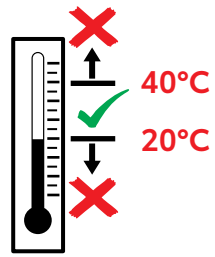
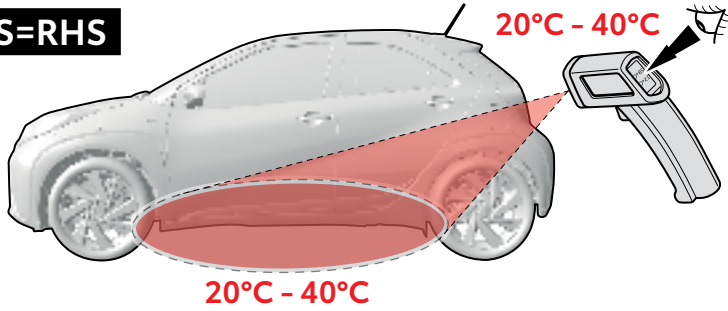


Material Safety Data Sheet

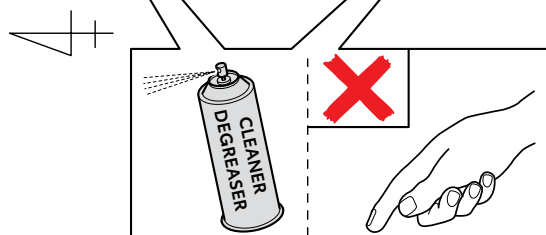
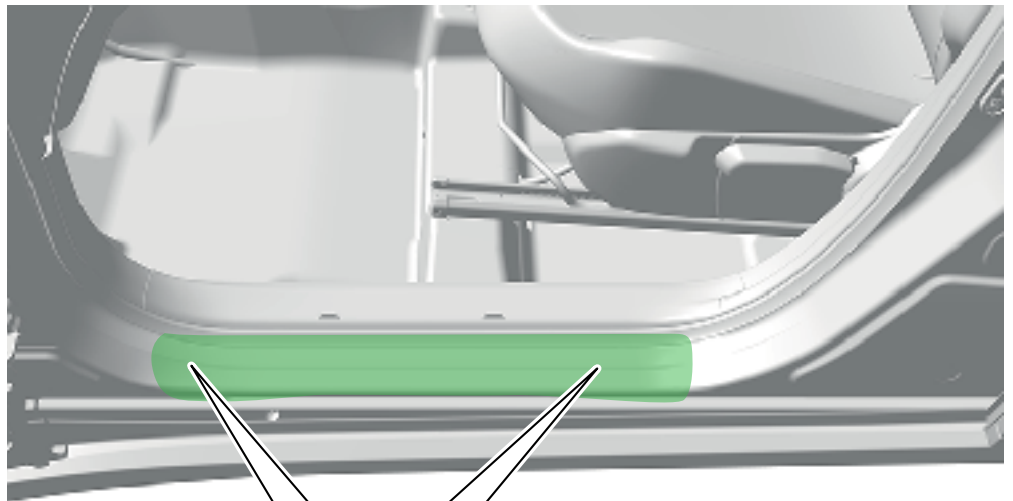
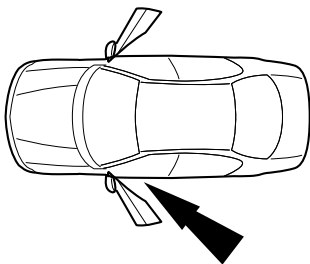


Technical Data Sheet

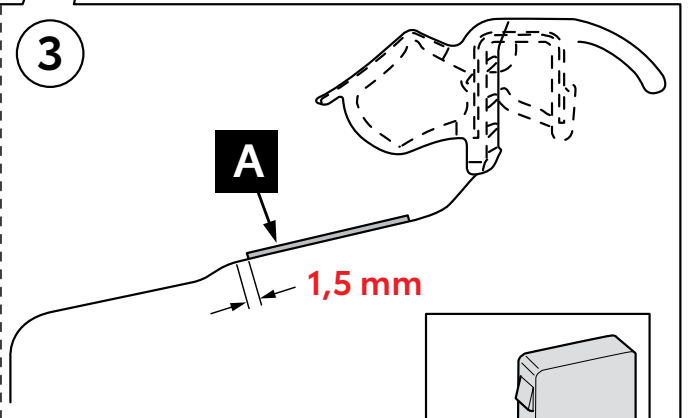
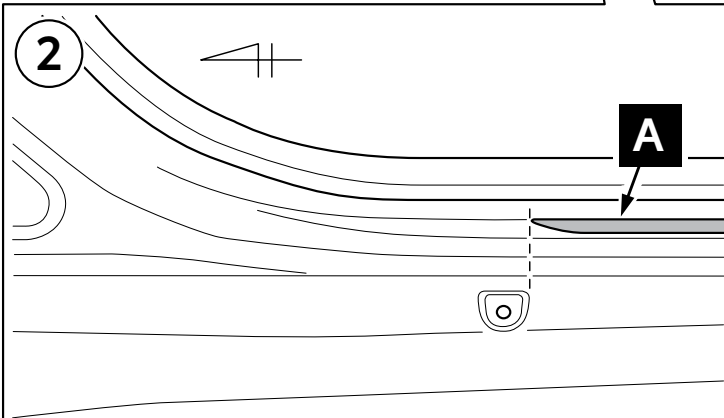
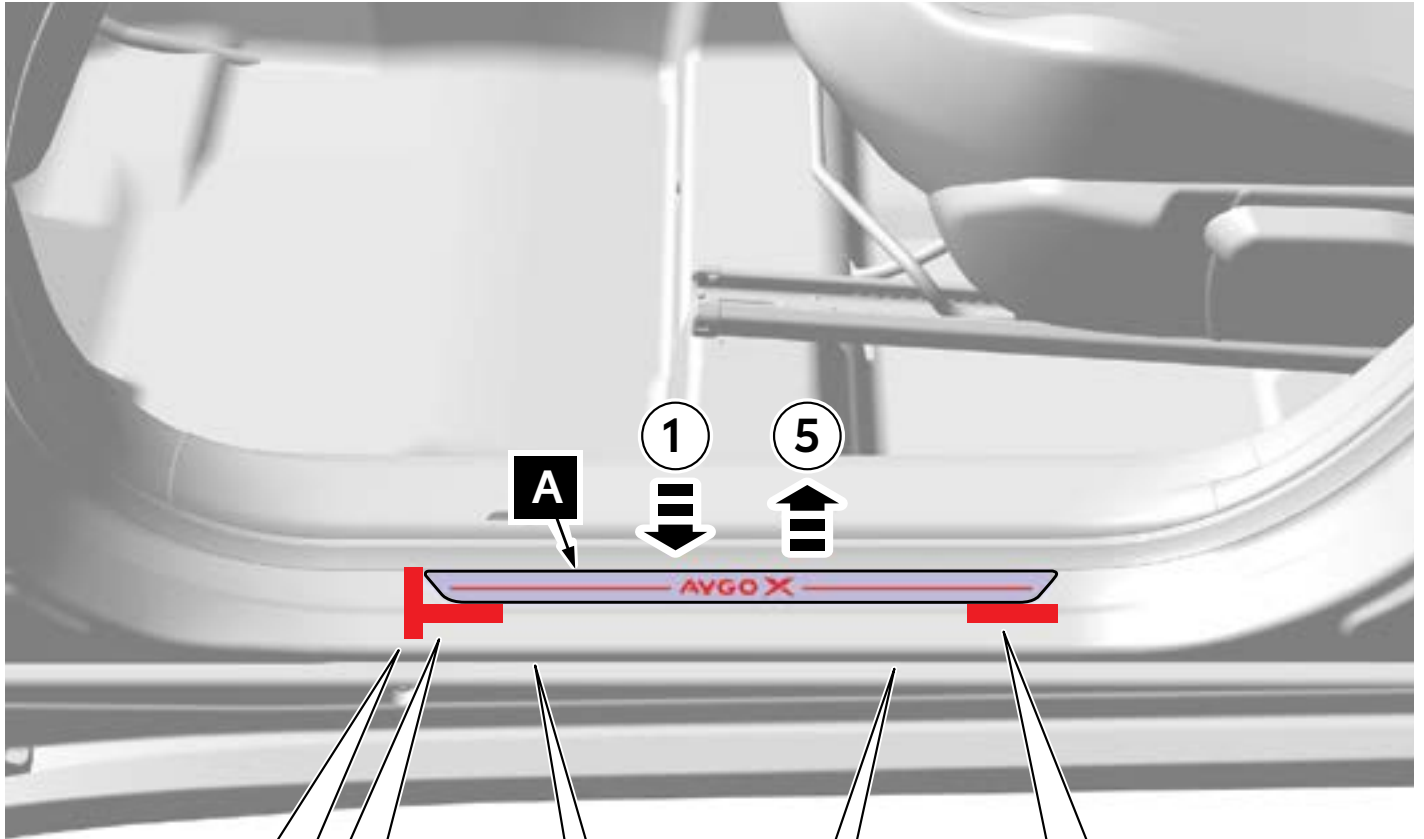
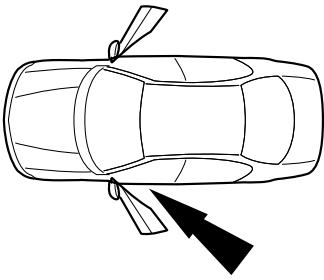
LHS=RHS

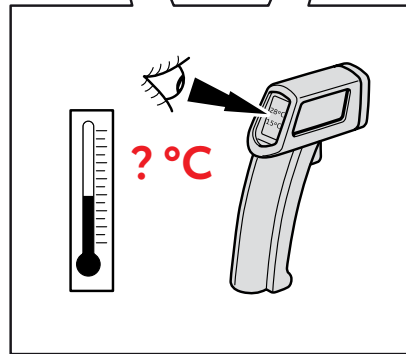
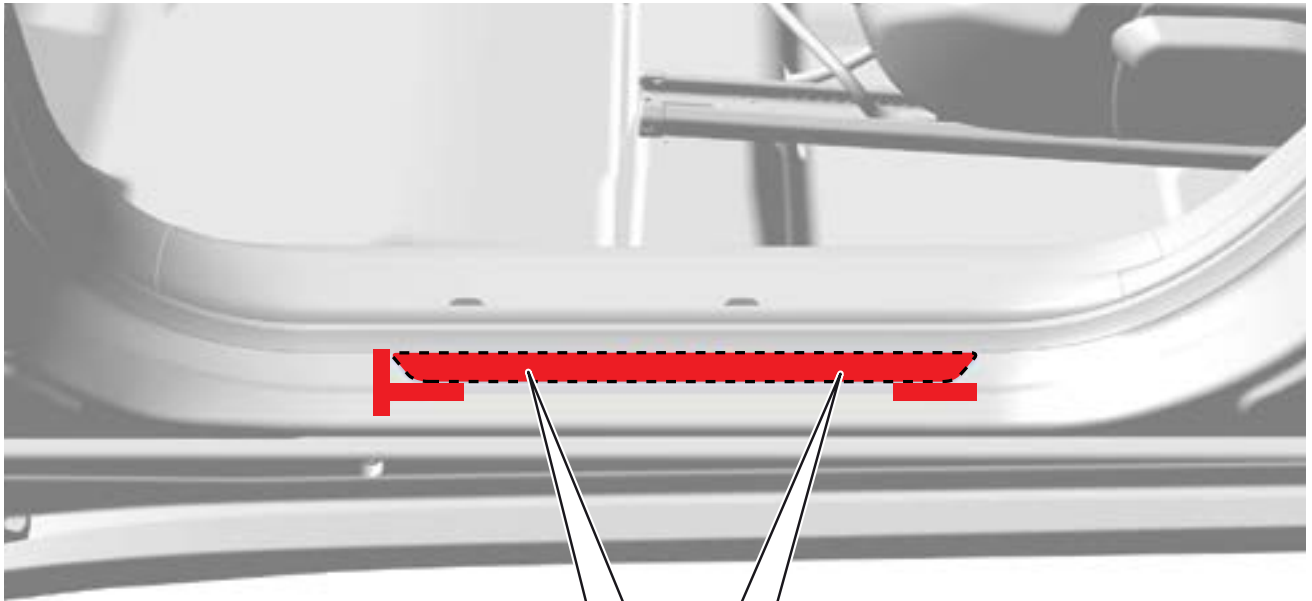


INSTALLATION INSTRUCTIONS



1

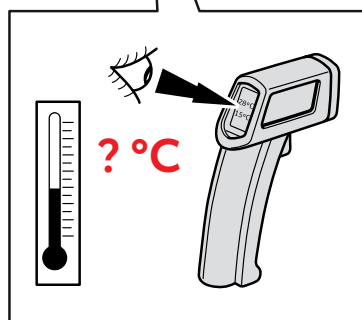




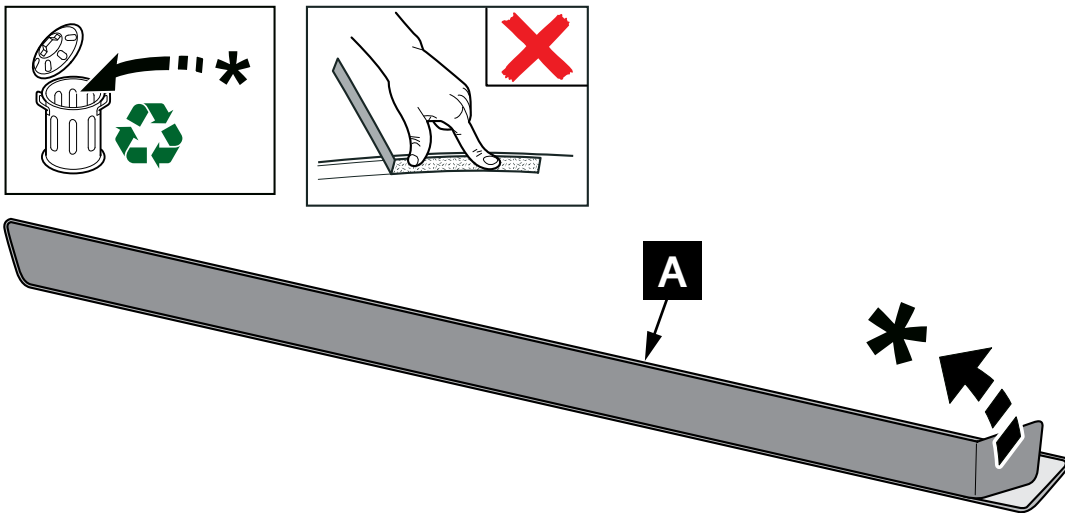
3



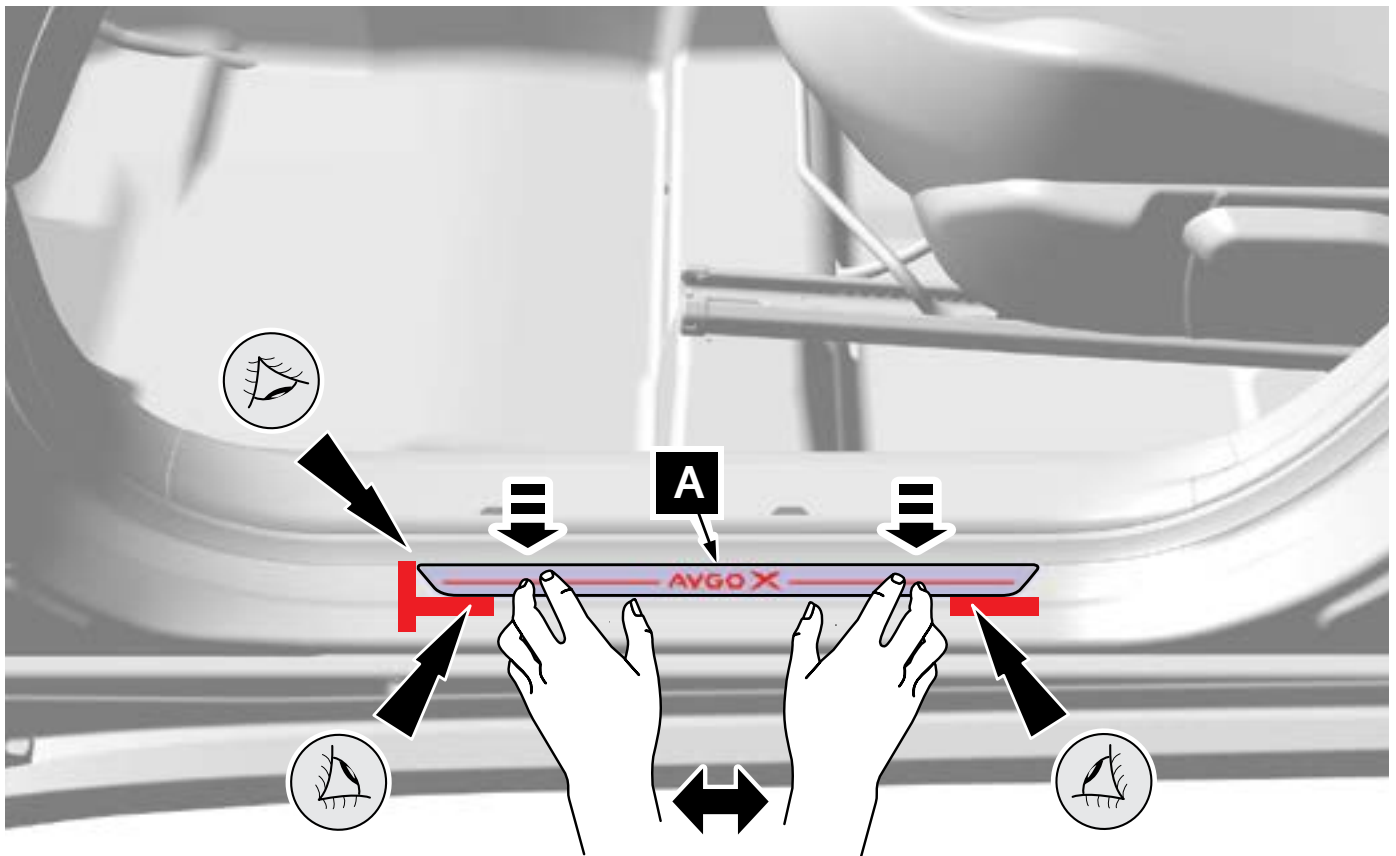
A



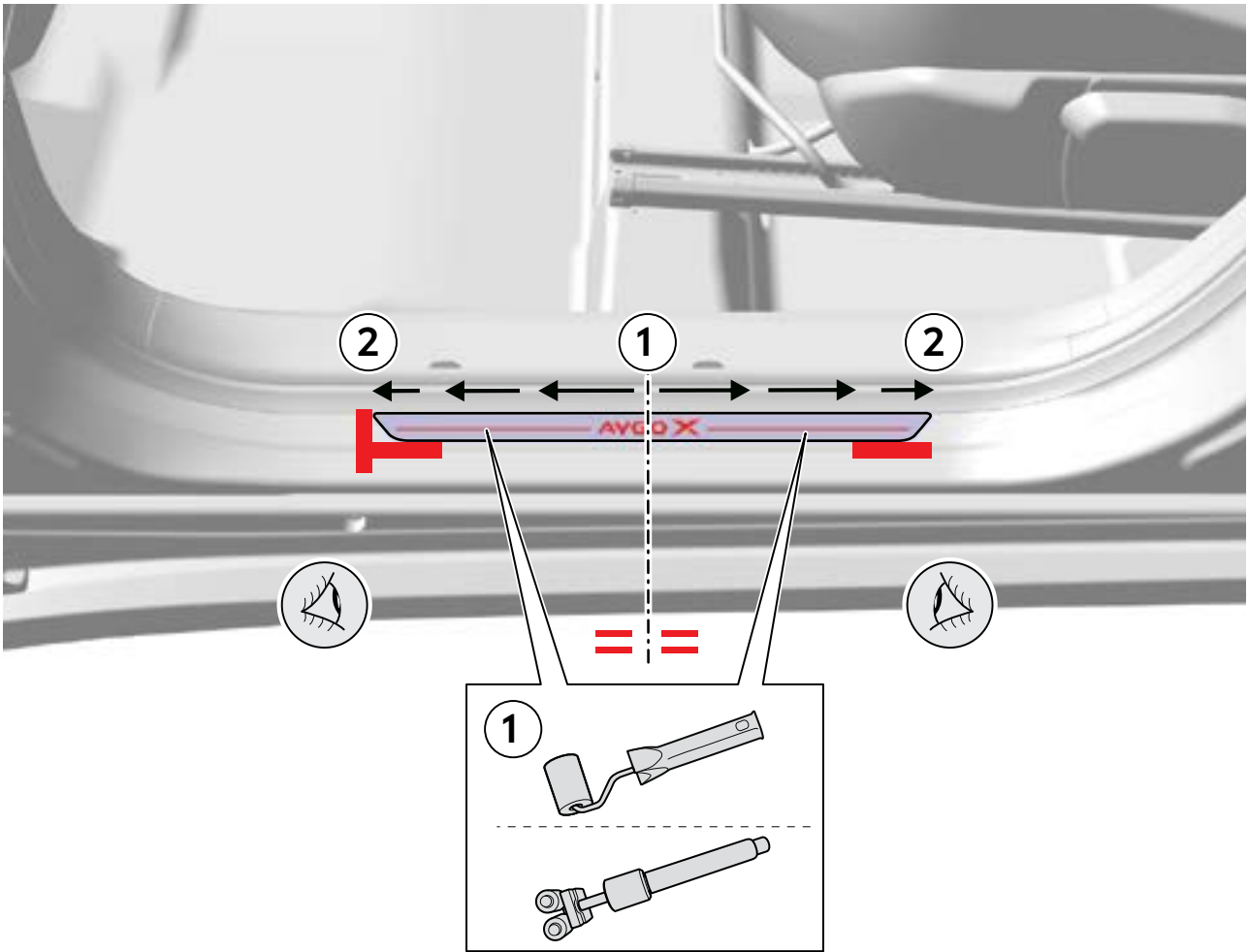
4



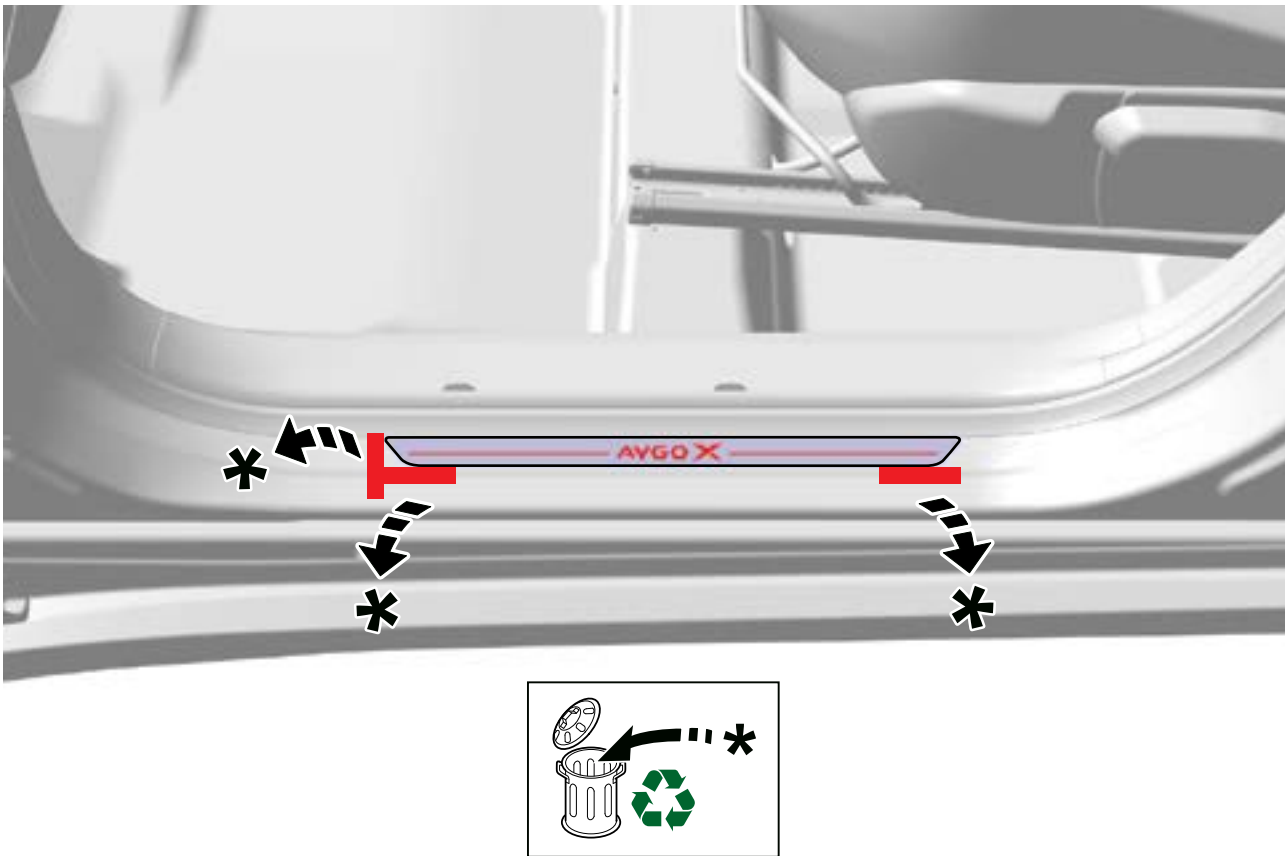
5



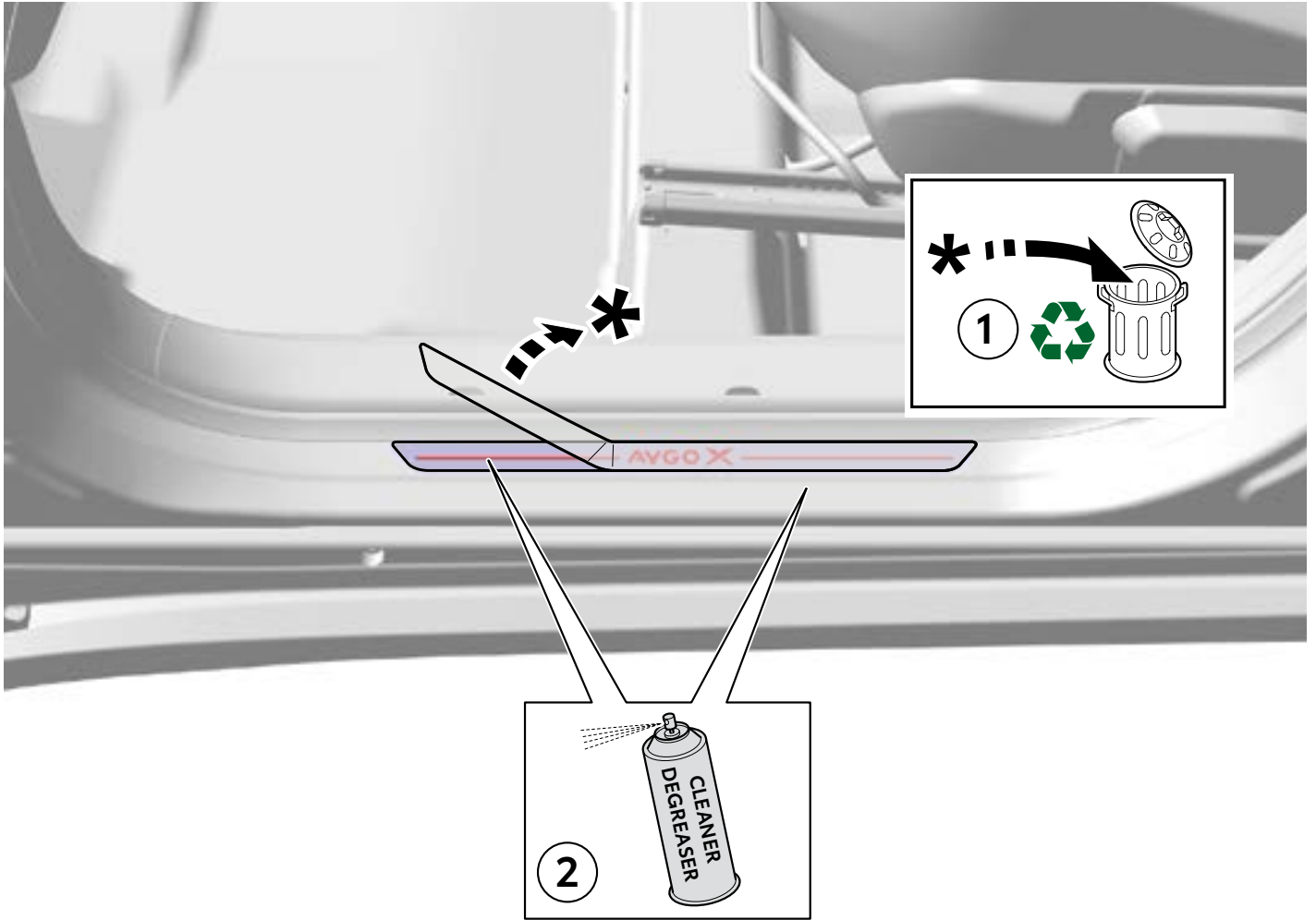
6



7



8



9



RHS = LHS

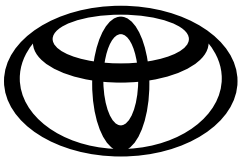


B

A



10



CHECK SHEET

Page 1 of 2

Model/Year

AYGO X
As from 2022/03

Scuff Plates

VINn°

DURING INSTALLATION

P/N = OK

1

LHS RHS

2

AFTER INSTALLATION

LHS RHS

1

LHS RHS

2

✓

LHS RHS

✗

LHS RHS

3

Installation Date:

. . / . . /

Technician Name & Signature:

Stamp: