



TOYOTA

ALWAYS A
BETTER WAY

Avensis Wagon

Roof spoiler

Installation instructions

Model year: 2008/11, 2011/11, 2015/05

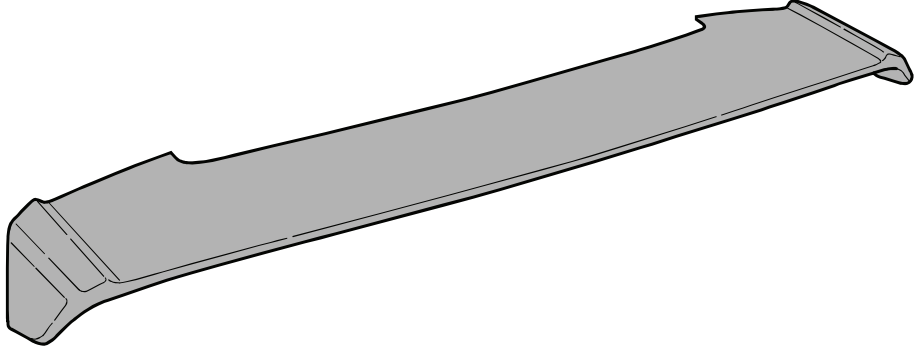
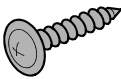
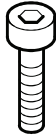



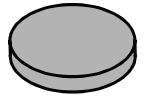
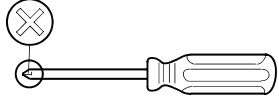
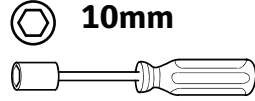
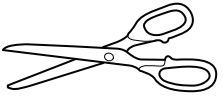
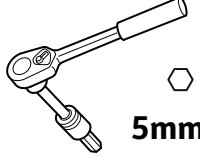
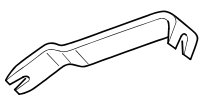
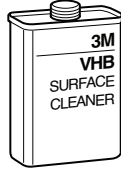
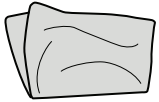
Vehicle code: **T27**-AW***W

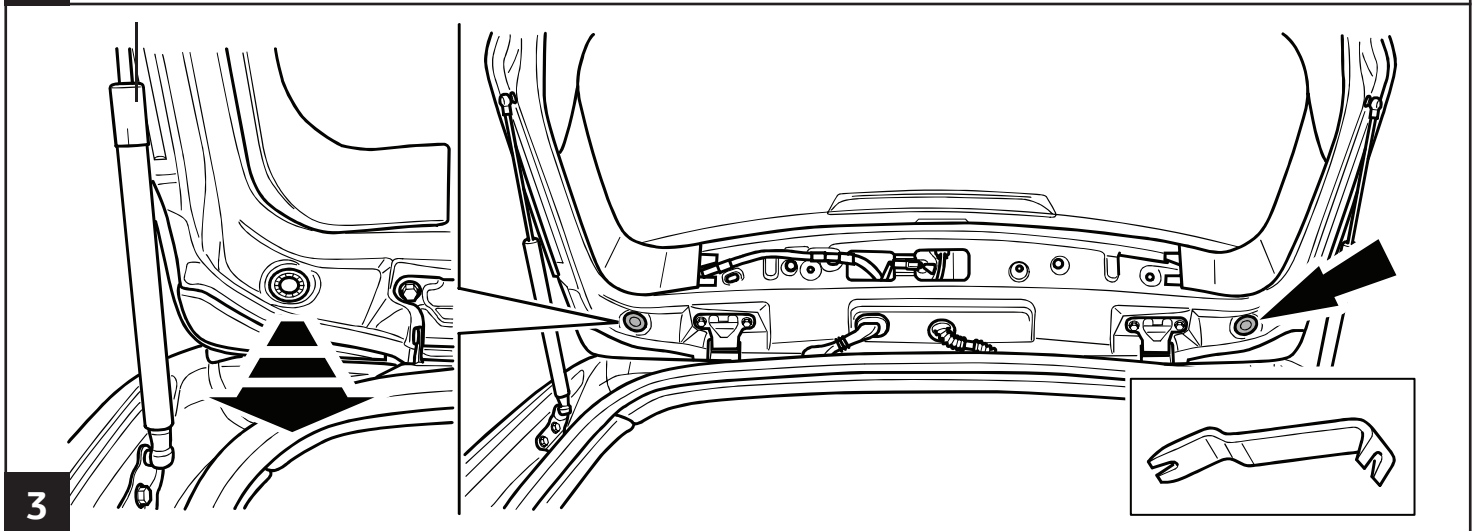
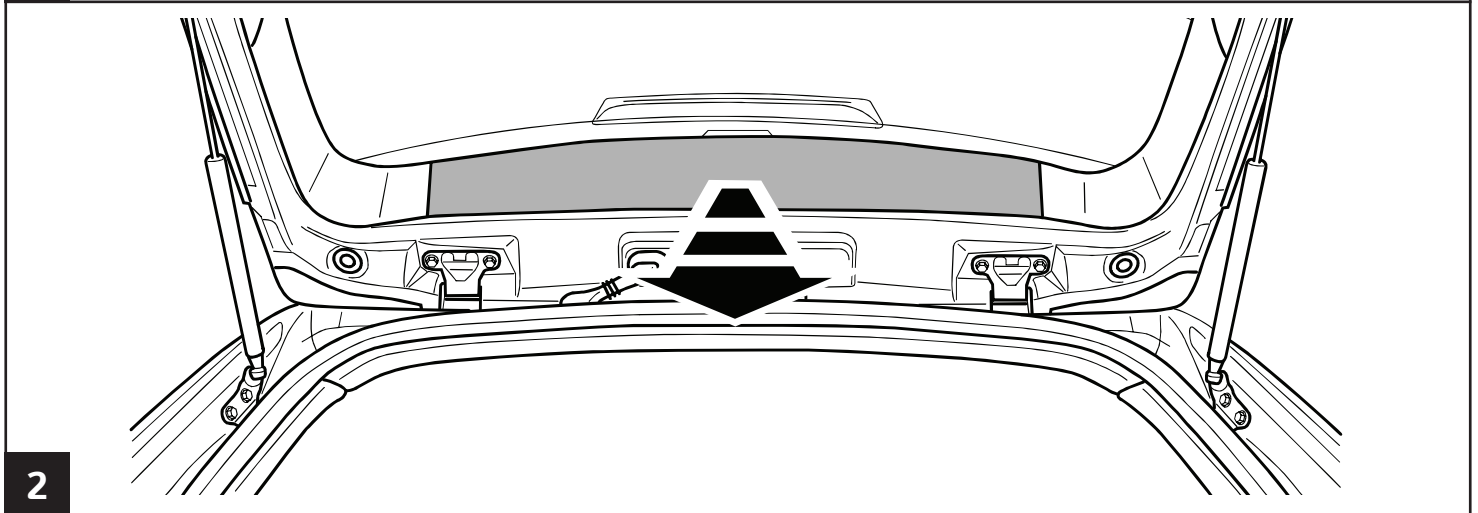
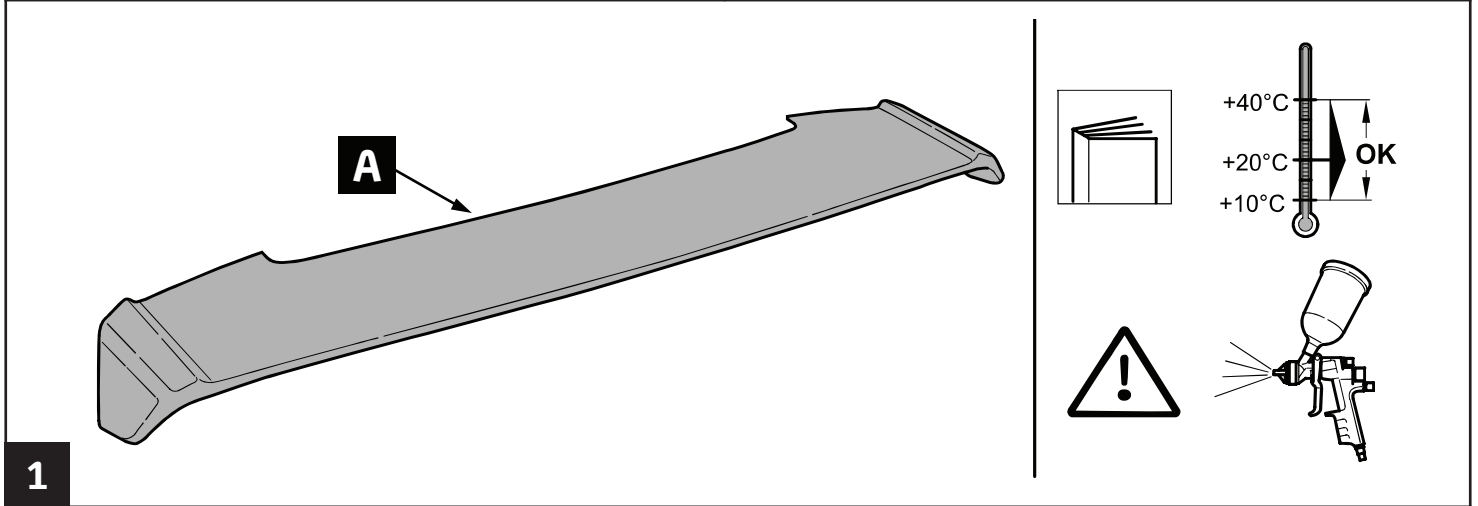
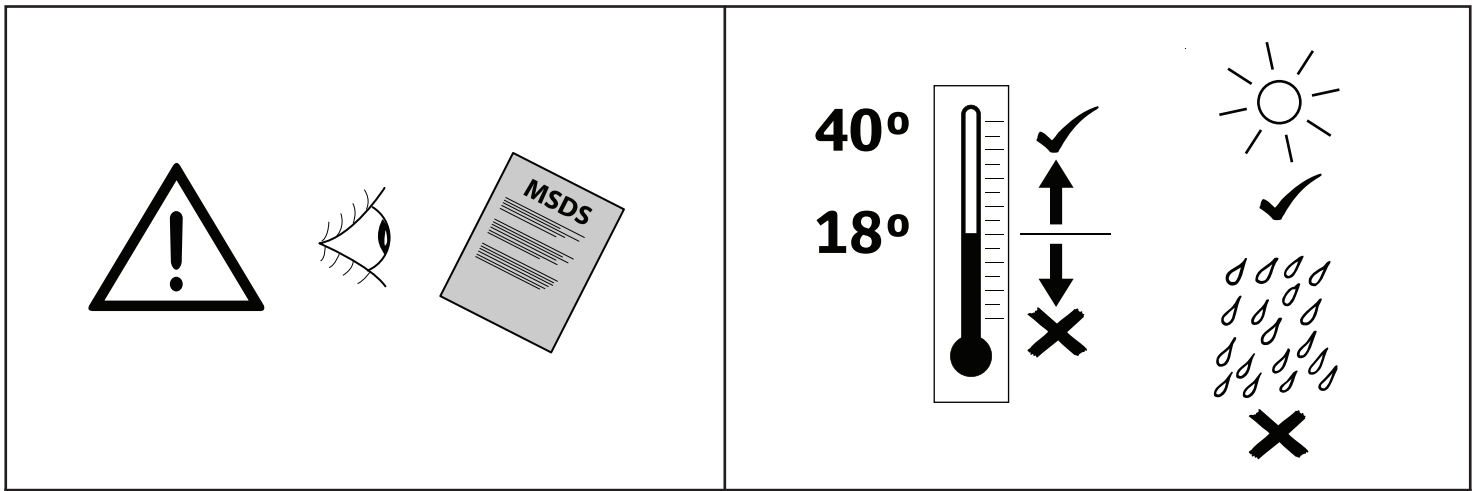
Part number: PZ495-T5470-AB

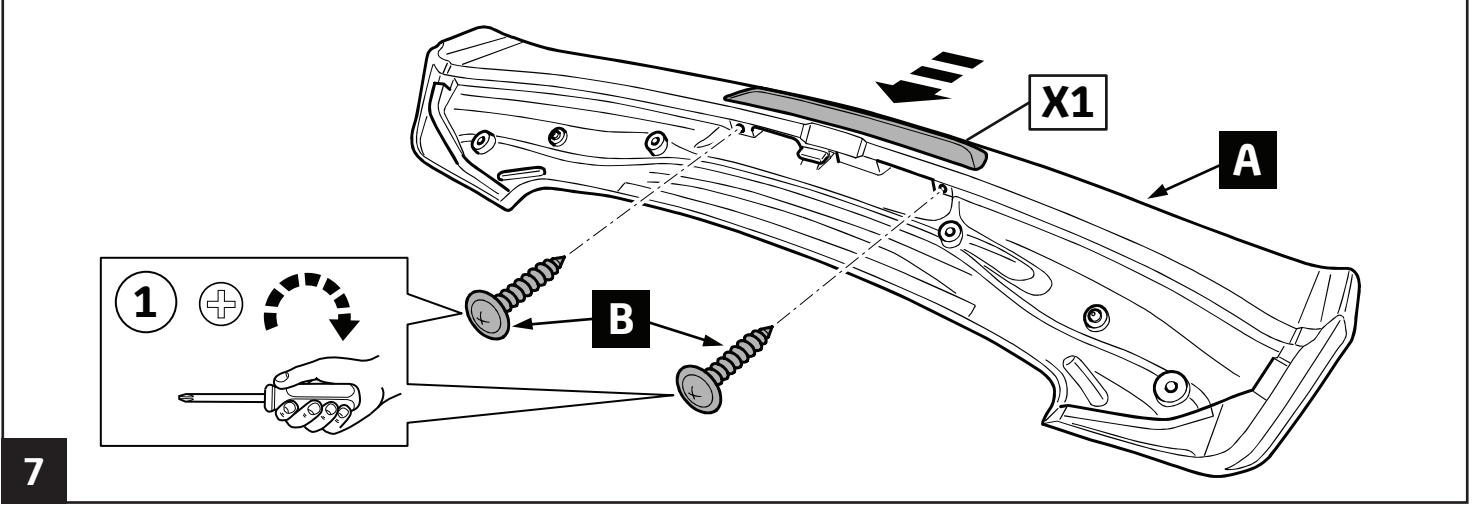
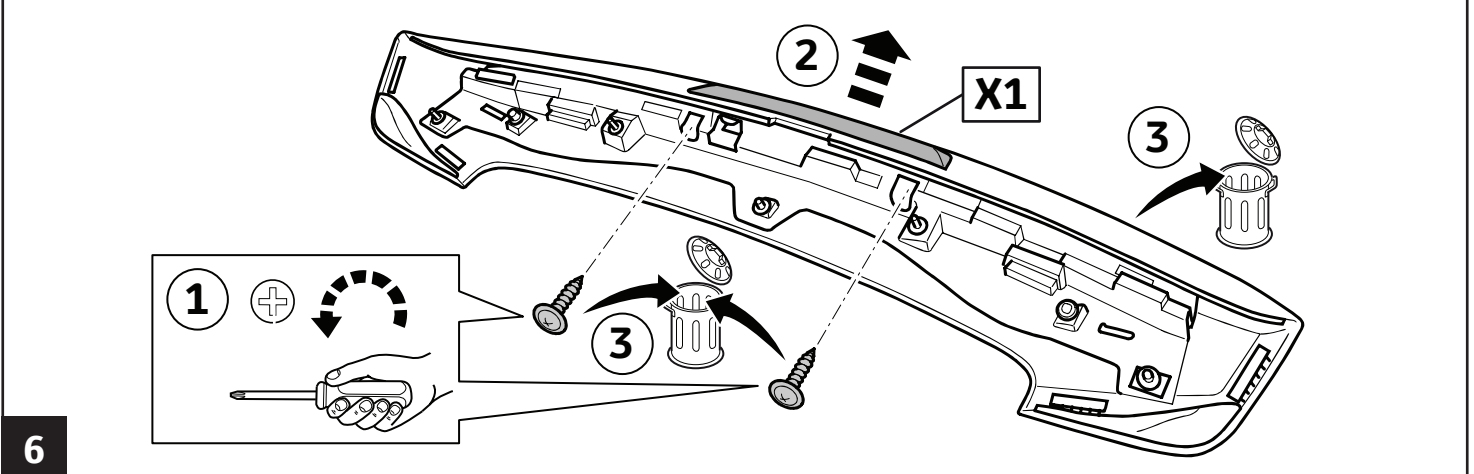
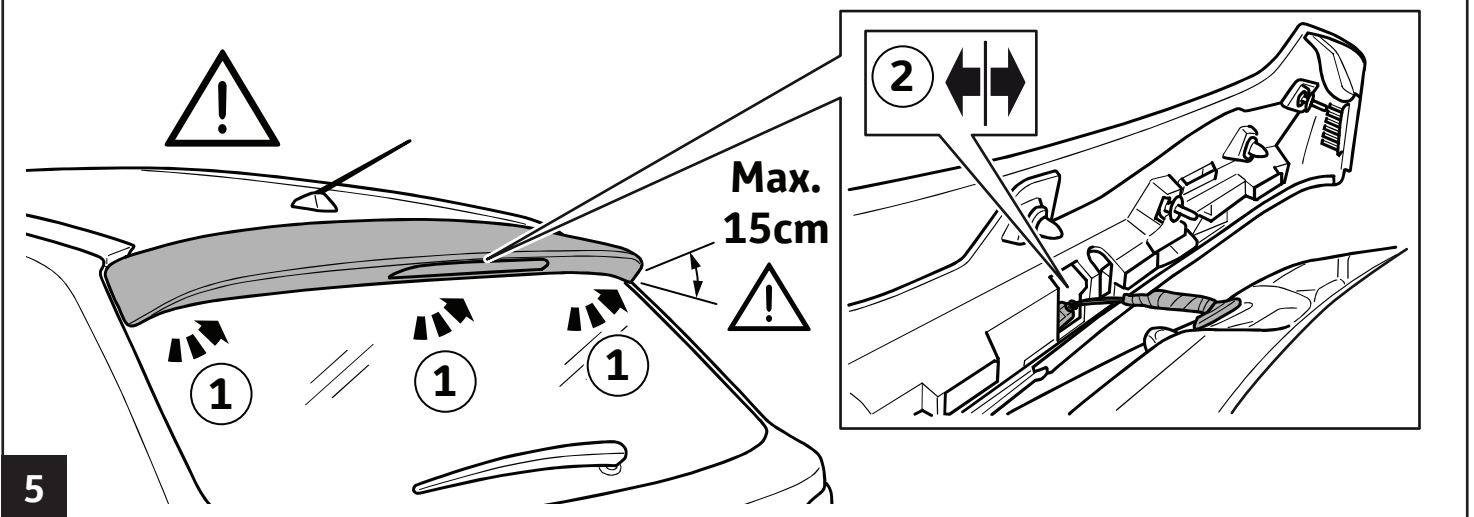
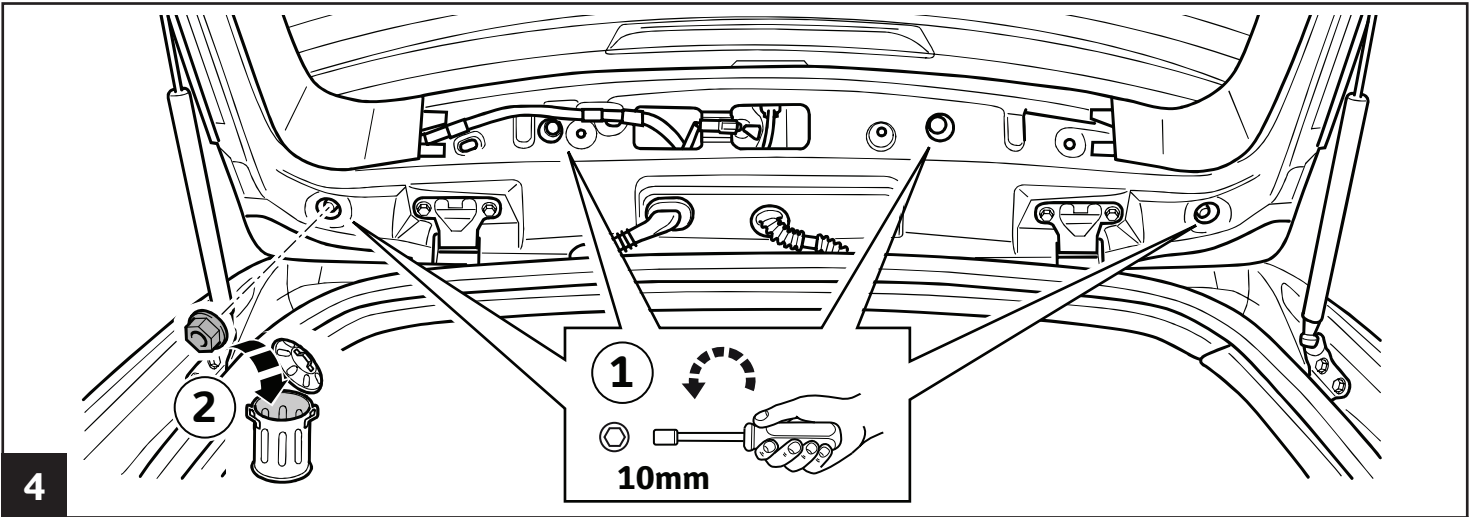
Manual reference number: AIM 003 417 - 0

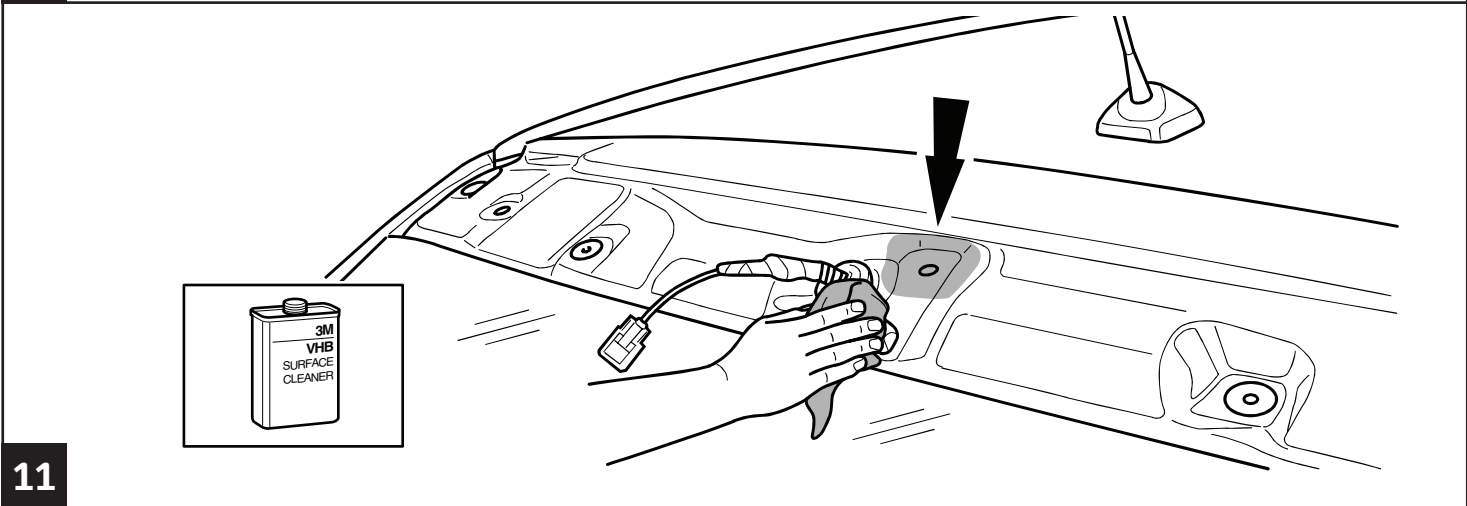
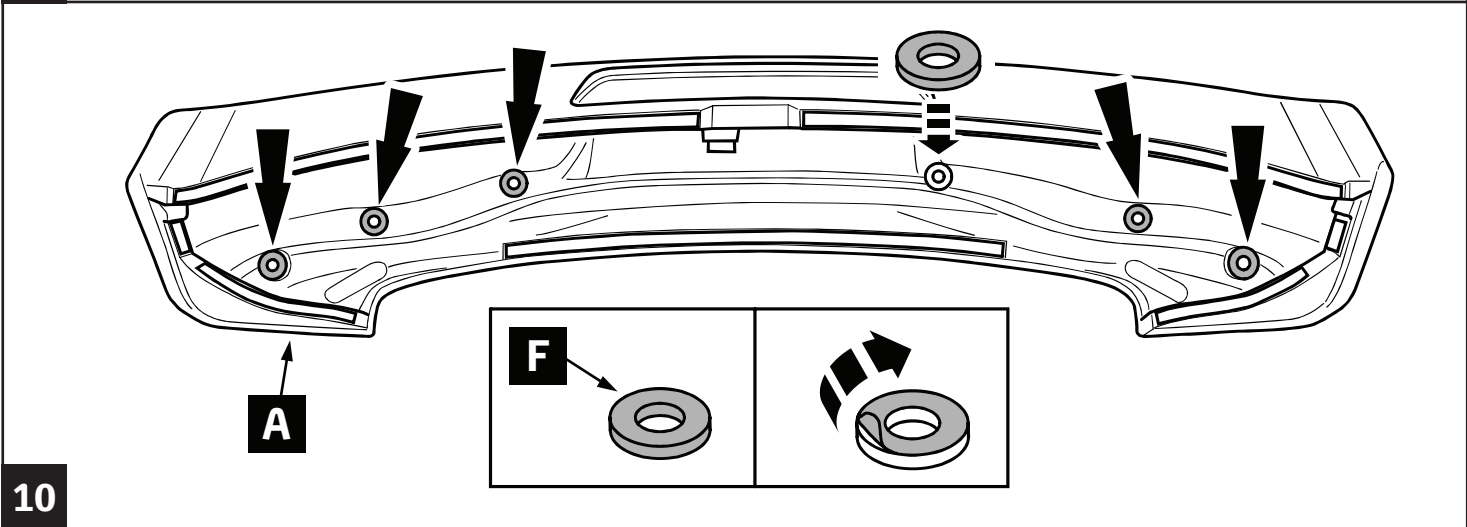
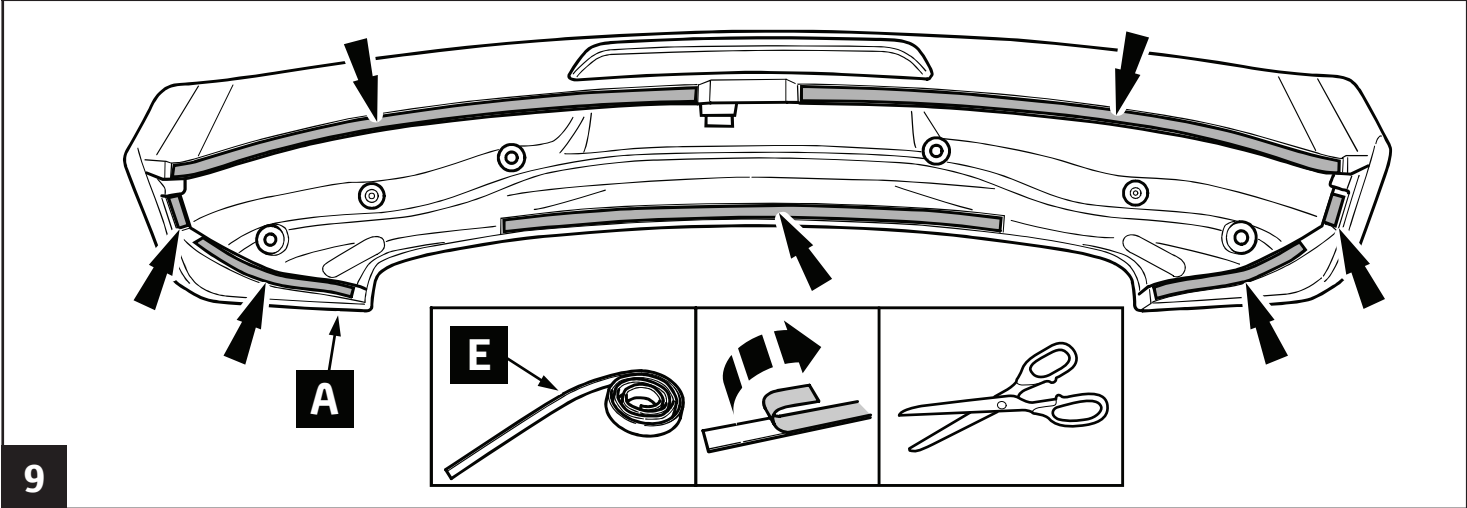
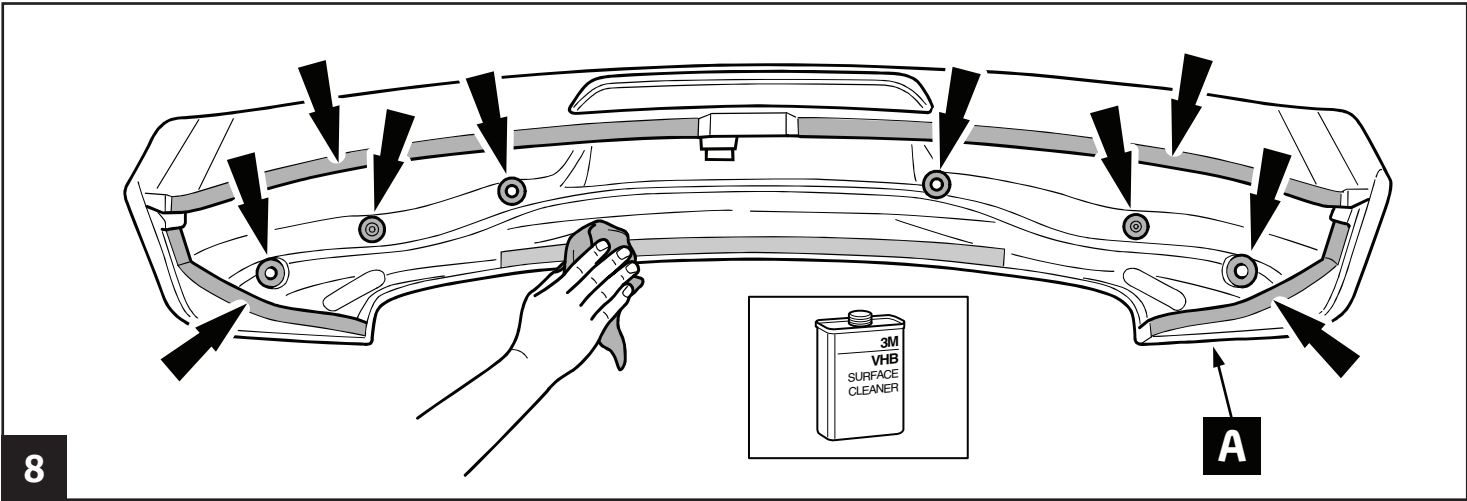
Revision Record

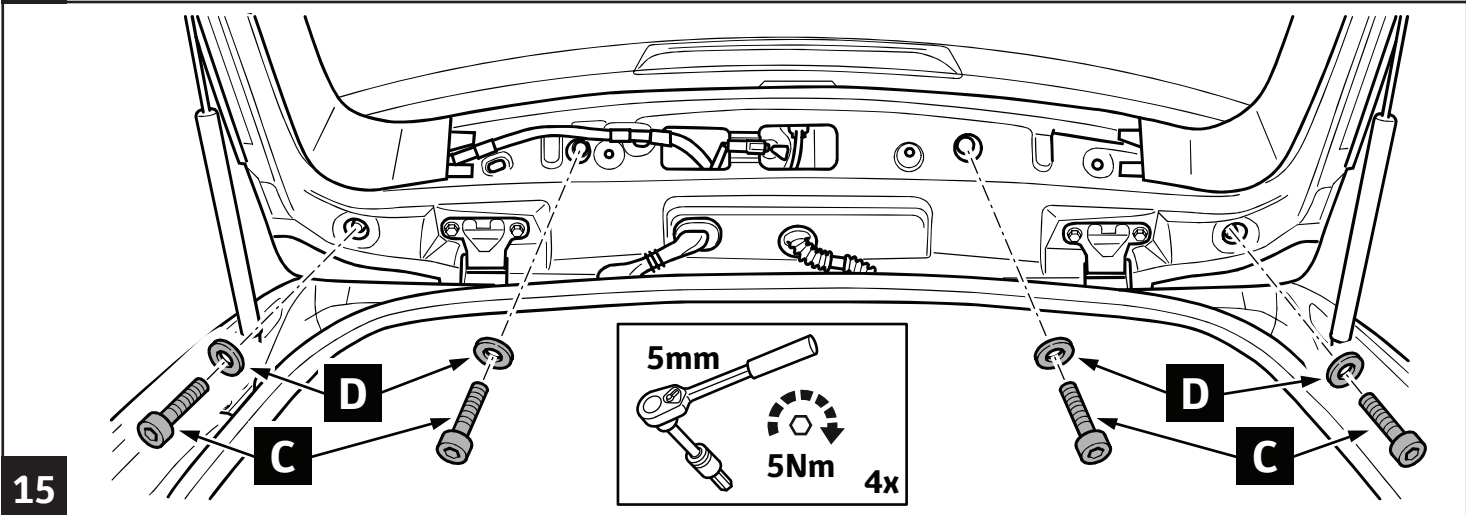
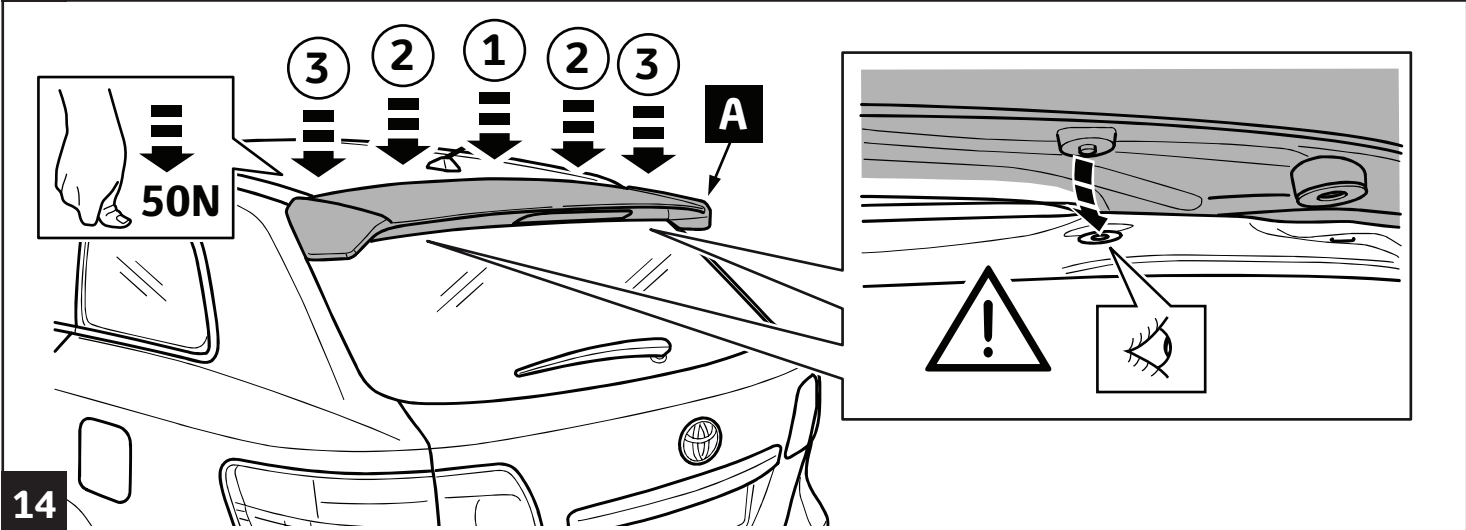
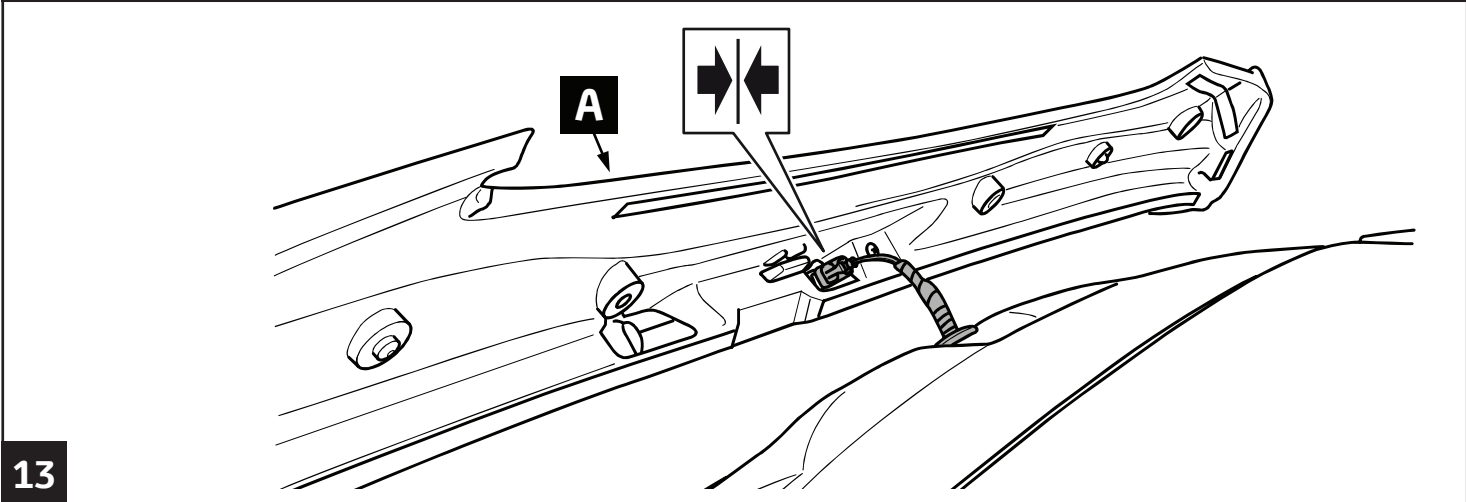
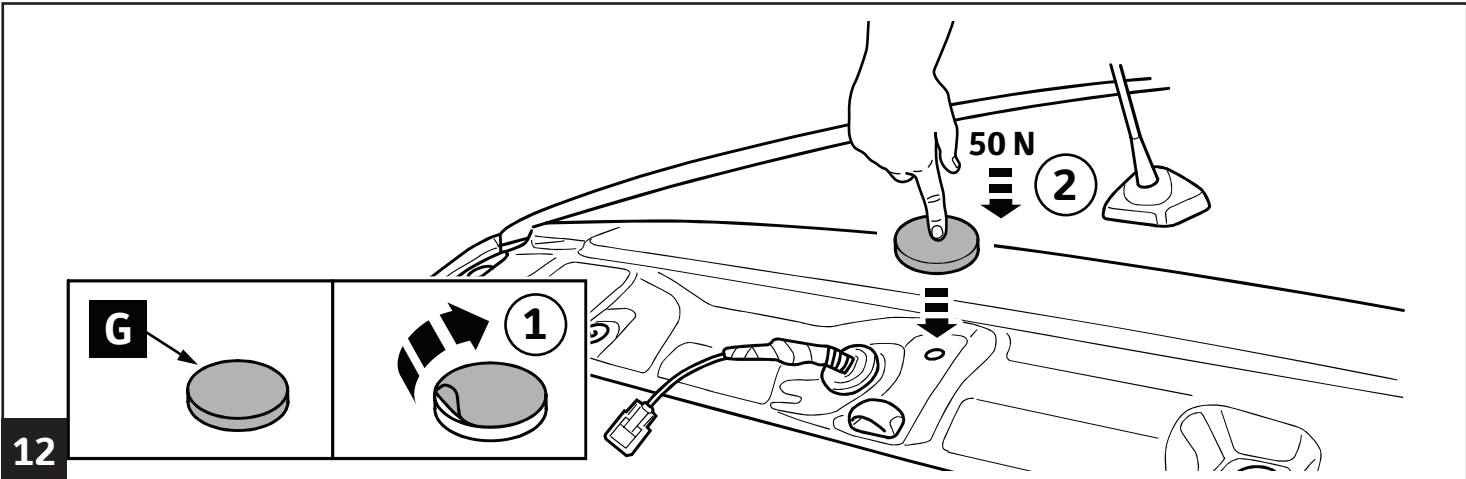
Rev. No.	Date	Page	Picture	Update	New	Deleted steps

				
A	1x	B	2x	
	4x		4x	
C		D		
			1x	
E			F	6x
				
			G	1x
				
				
5mm				

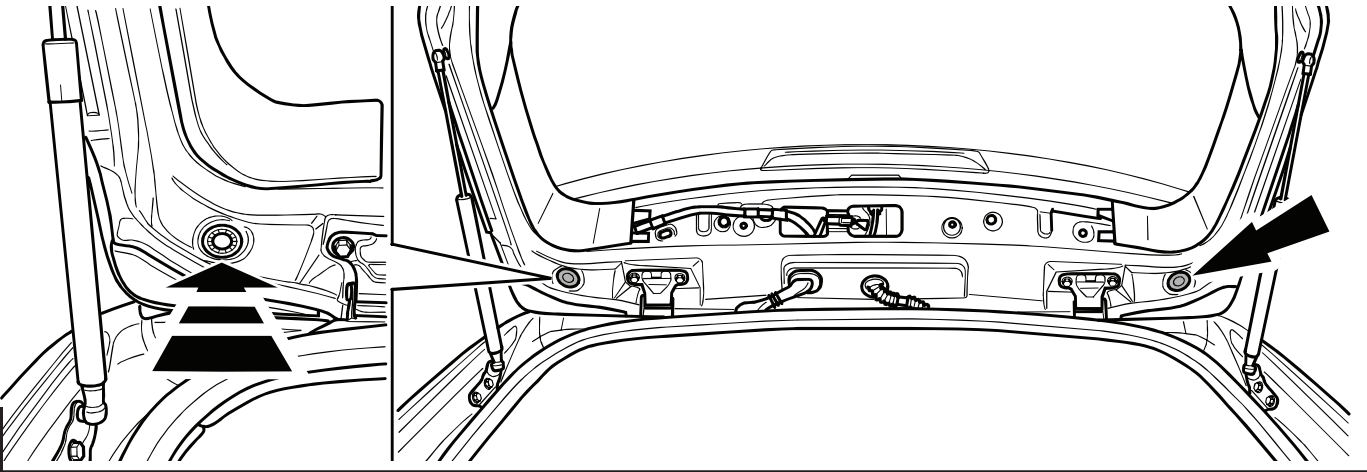




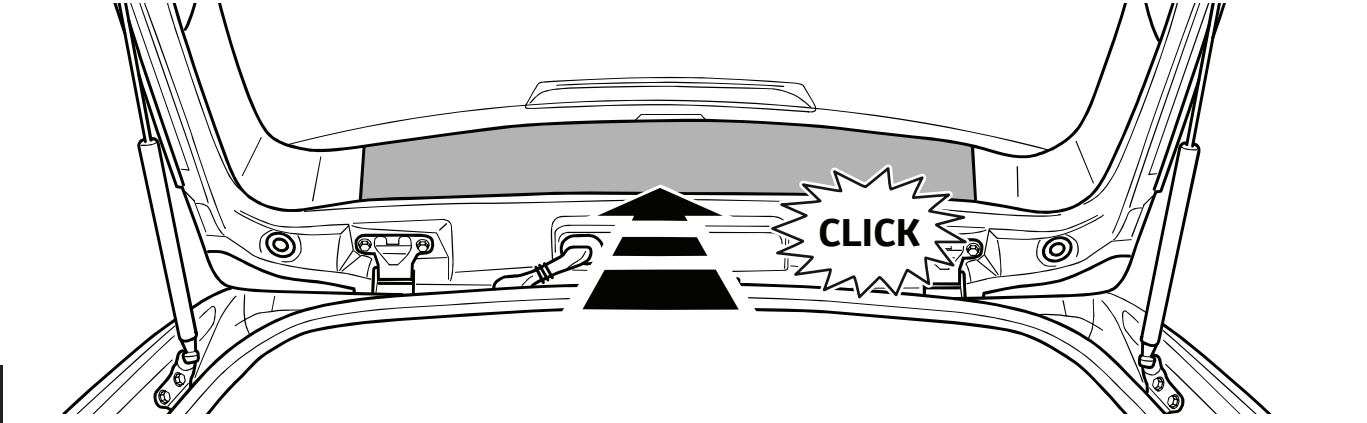




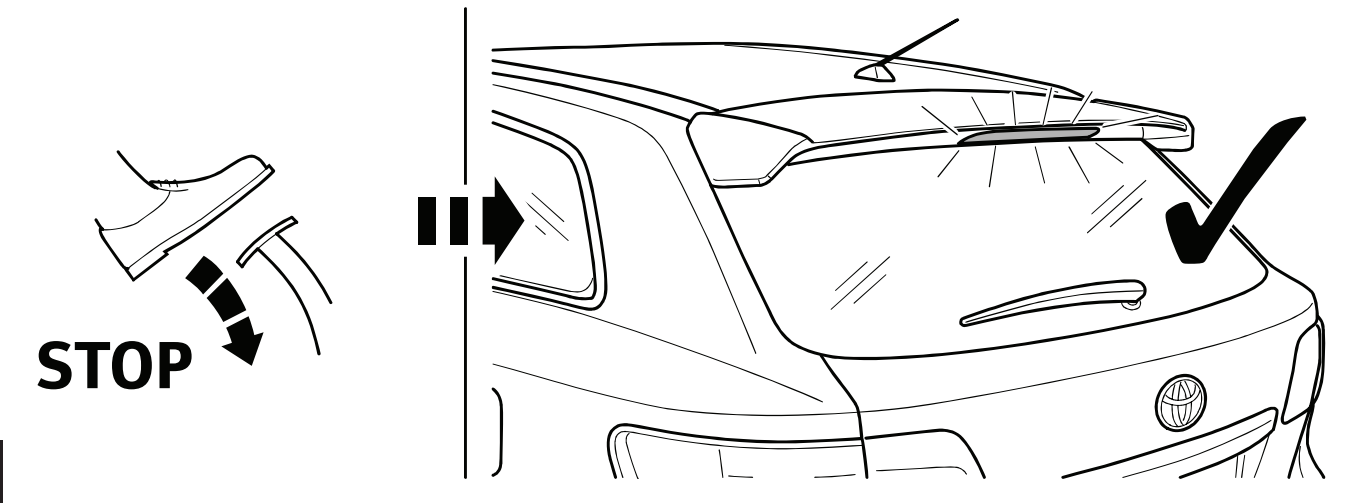
16



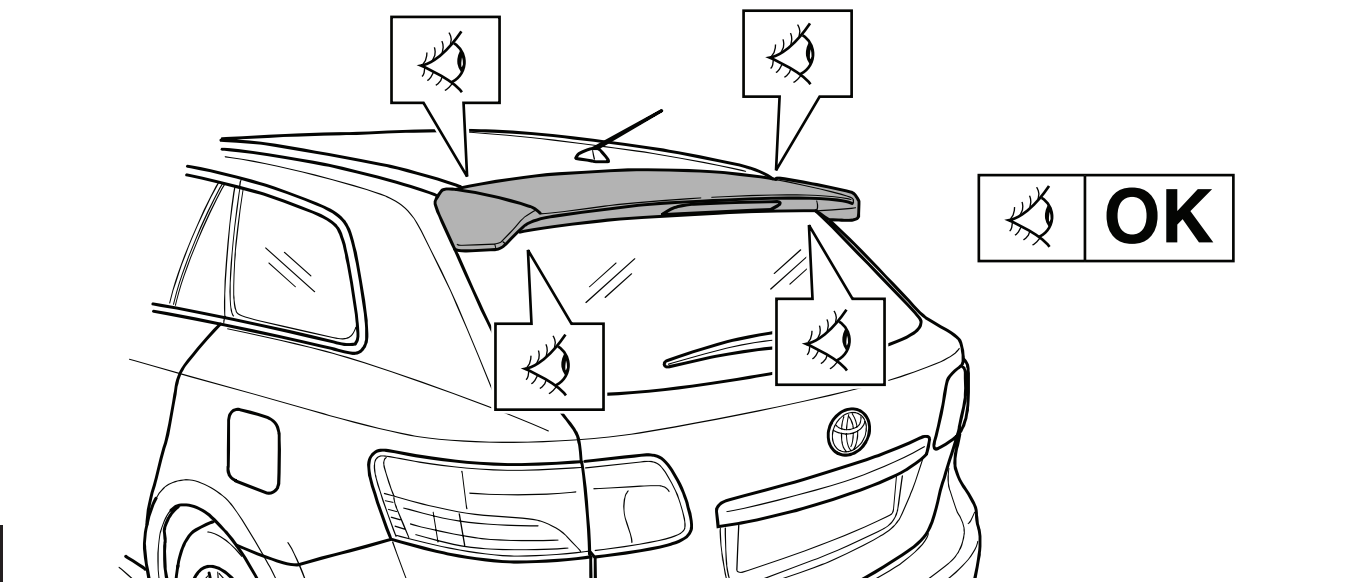
17



18



19



CHECK SHEET



TOYOTA

ALWAYS A BETTER WAY

Model / Year Avensis Wagon
2008/11, 2011/11, 2015/05

Roof Spoiler

VIN n°

P/N = OK

CLICK

Serial Number

5 Nm
4x

15

STOP

= OK

Installation Date:

.. / .. / ..

Technician Name & Signature:

Stamp:

