



**TOYOTA**

ALWAYS A  
**BETTER WAY**

# RAV4

## Side Sills

Installation Instructions

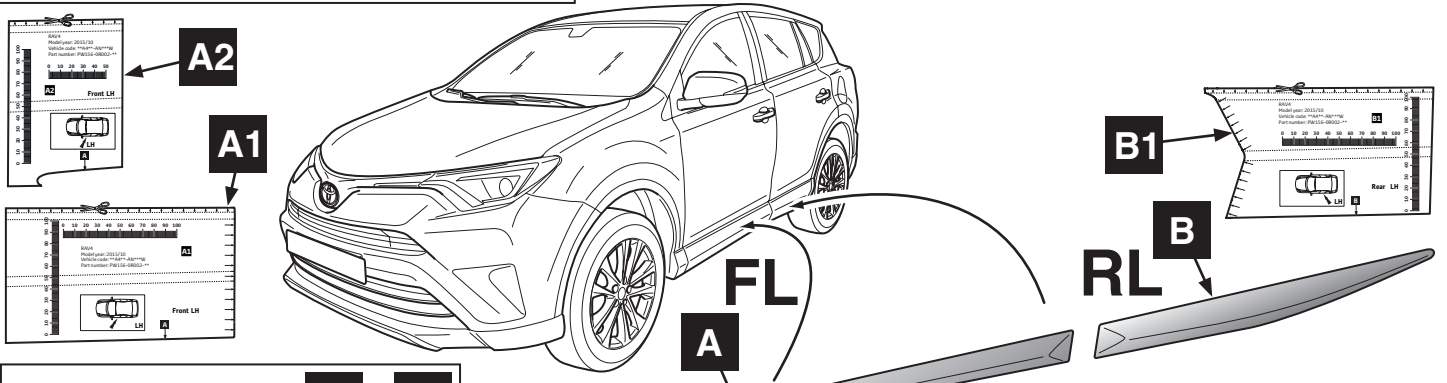
Model year: 2015/10  
Vehicle code: \*\*A4\*\*-AN\*\*\*W  
Part number: PW156-0R000-01  
PW156-0R000-24

Manual reference number: AIM 003 581-0

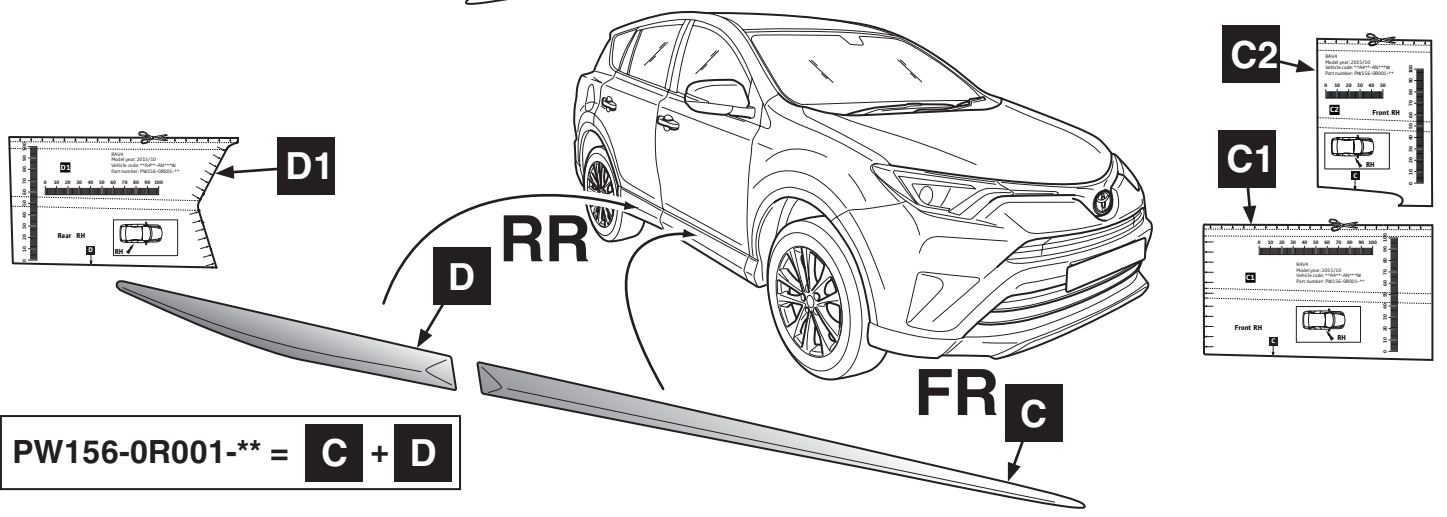
# Revision record

Rev. No.	Date	Page	Picture	Update	New	Deleted steps

## PW156-0R000-01 / PW156-0R000-24

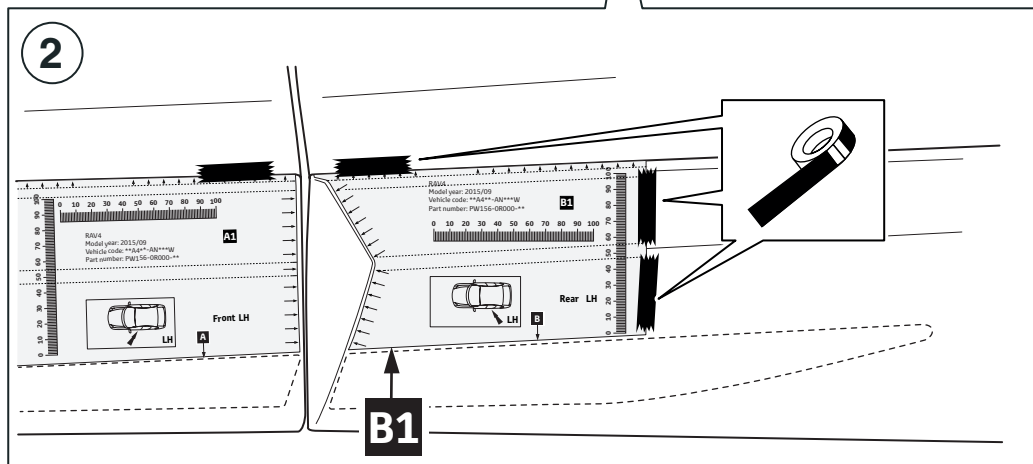
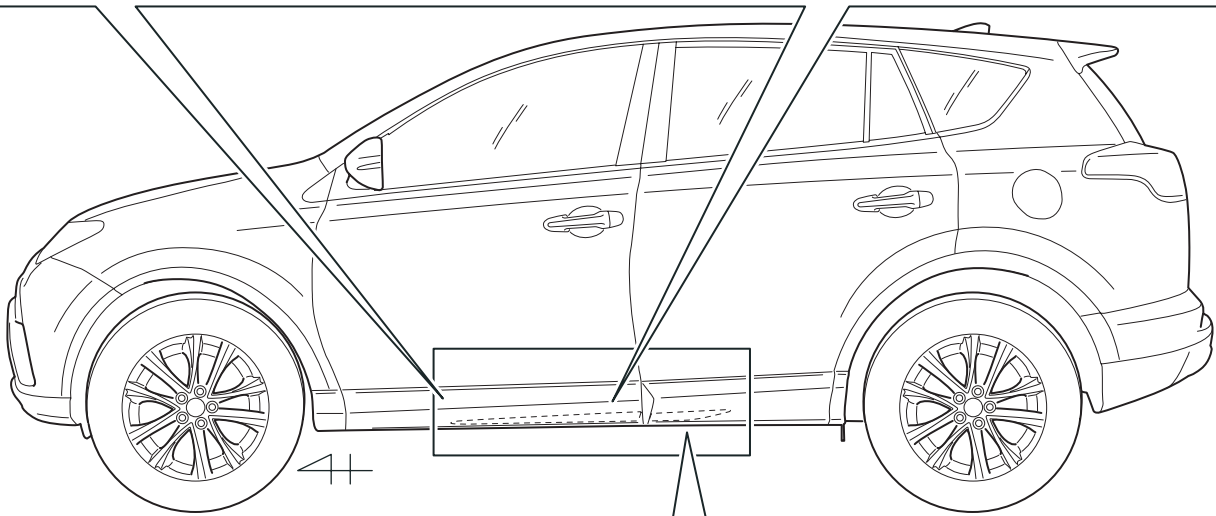
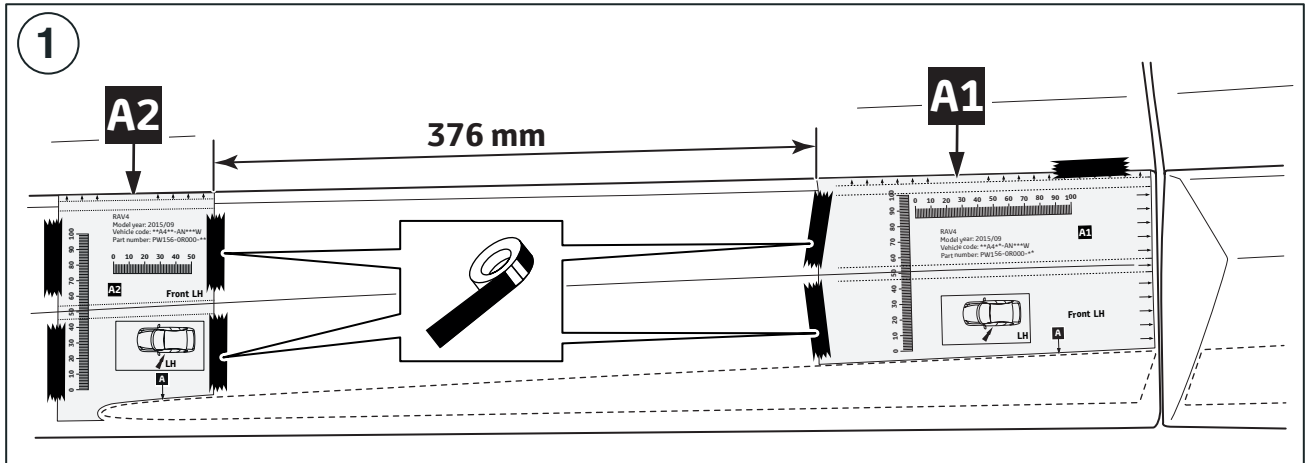
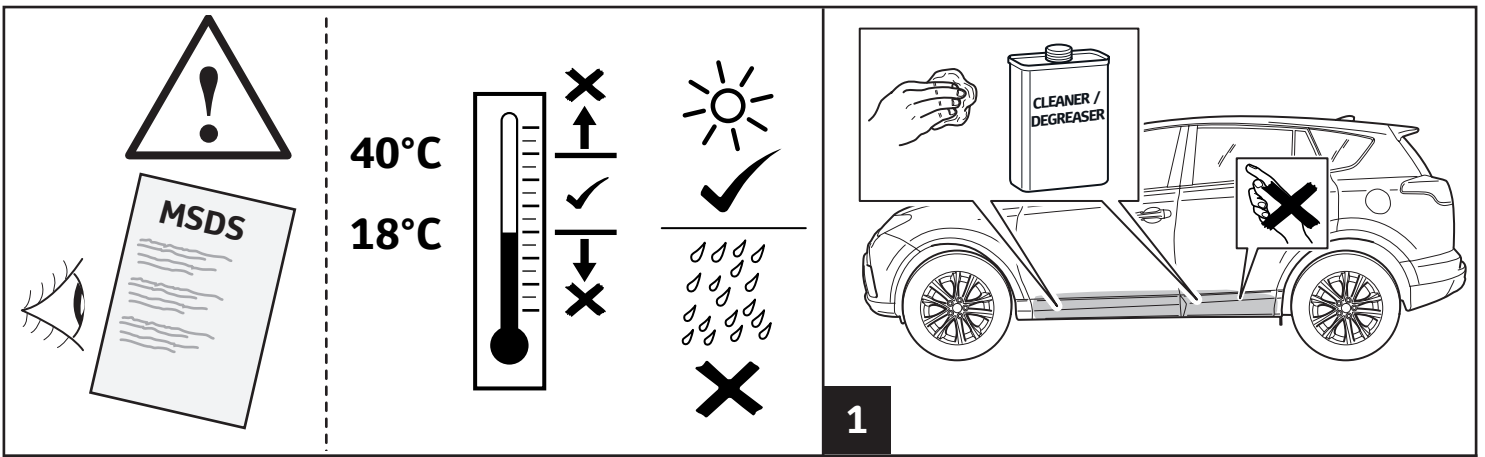


**PW156-0R002-\*\* = A + B**

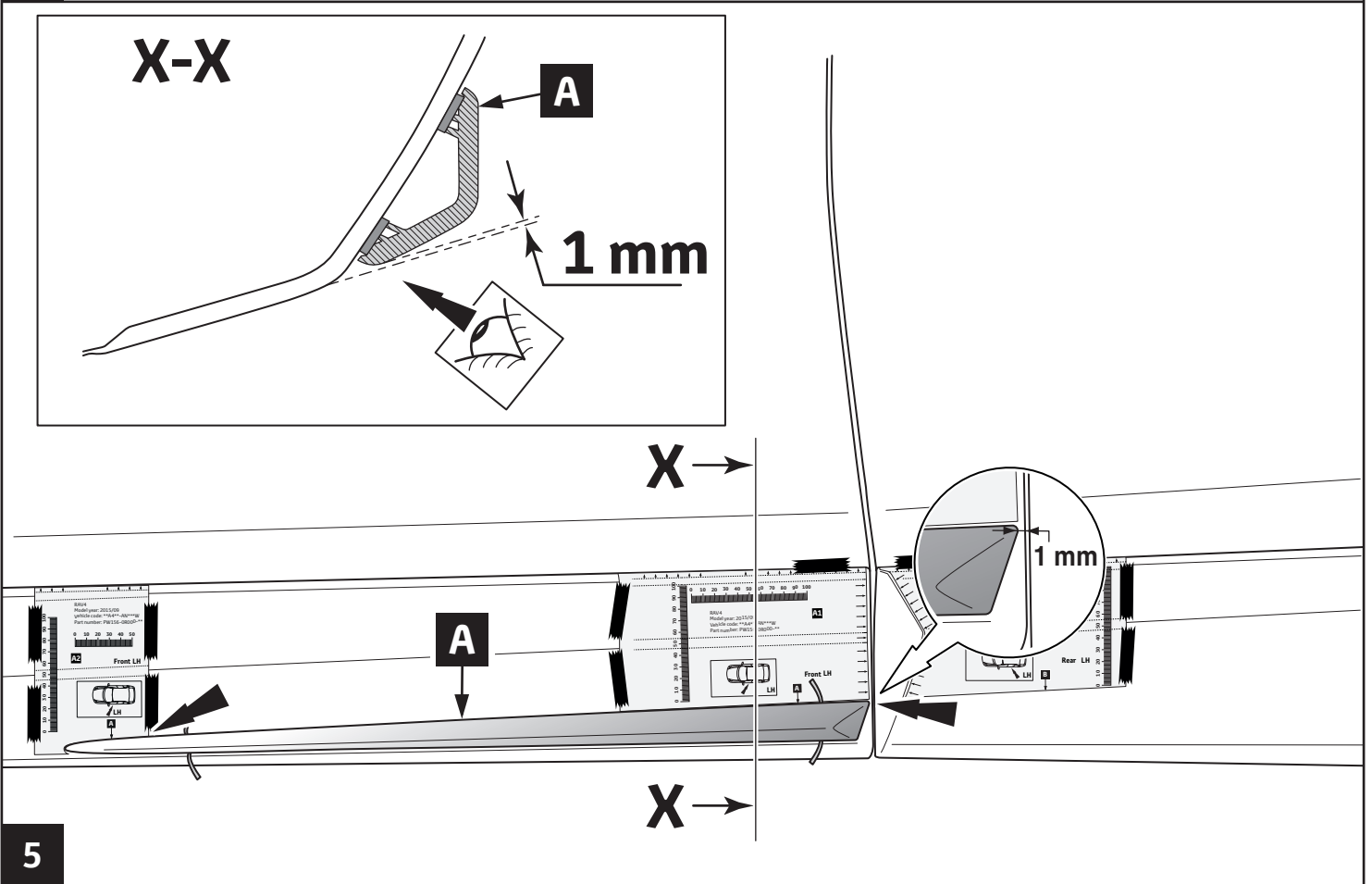
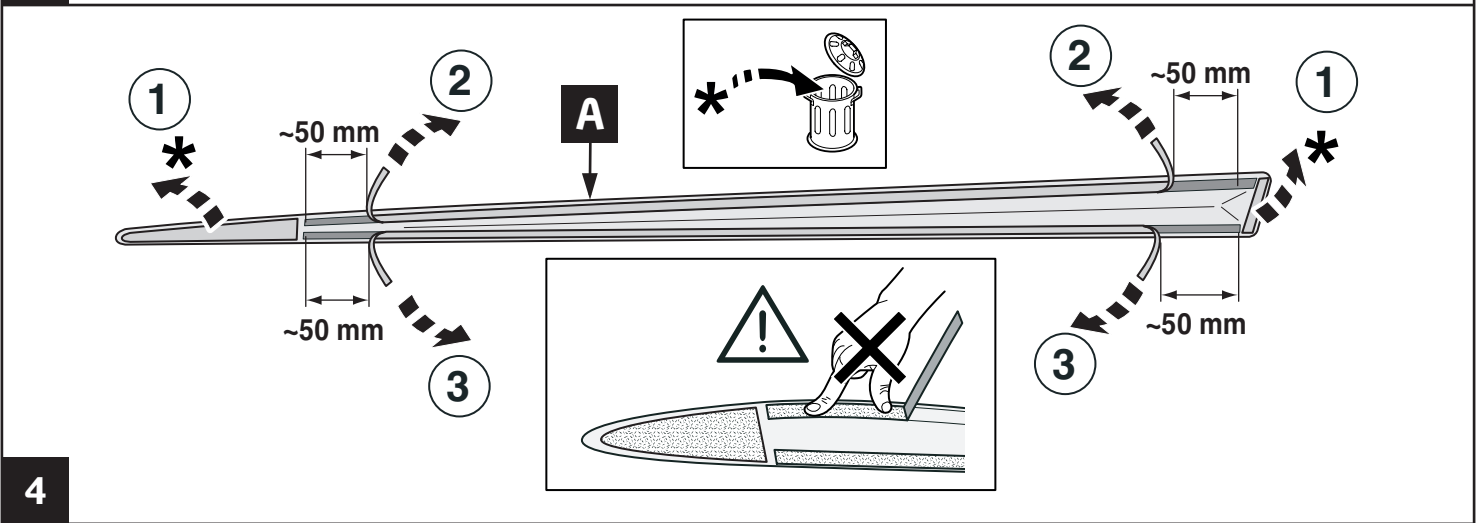
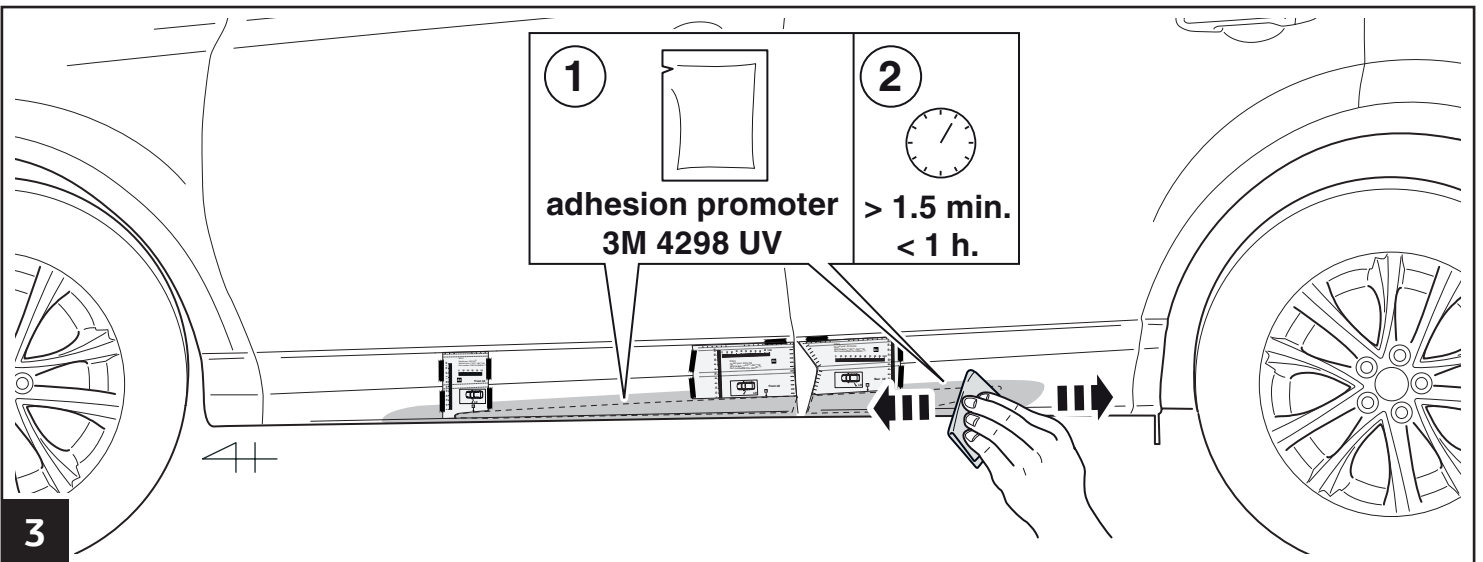


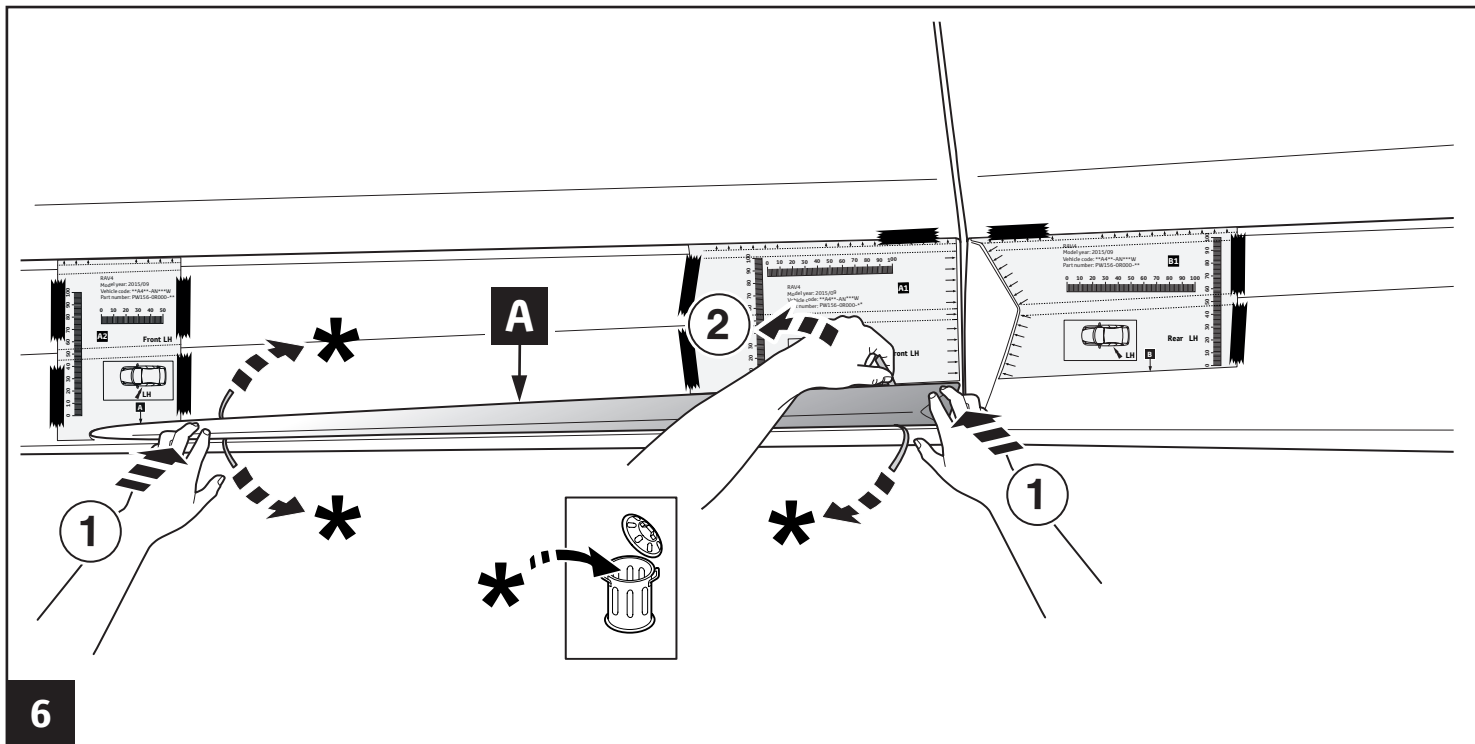
**PW156-0R001-\*\* = C + D**

	 3M 751	 DEGREASER CLEANER		 3M 2010		<b>PZ415-00000-00</b>  2x adhesion promoter 3M 4298 UV
--	------------	-----------------------	--	-------------	--	--

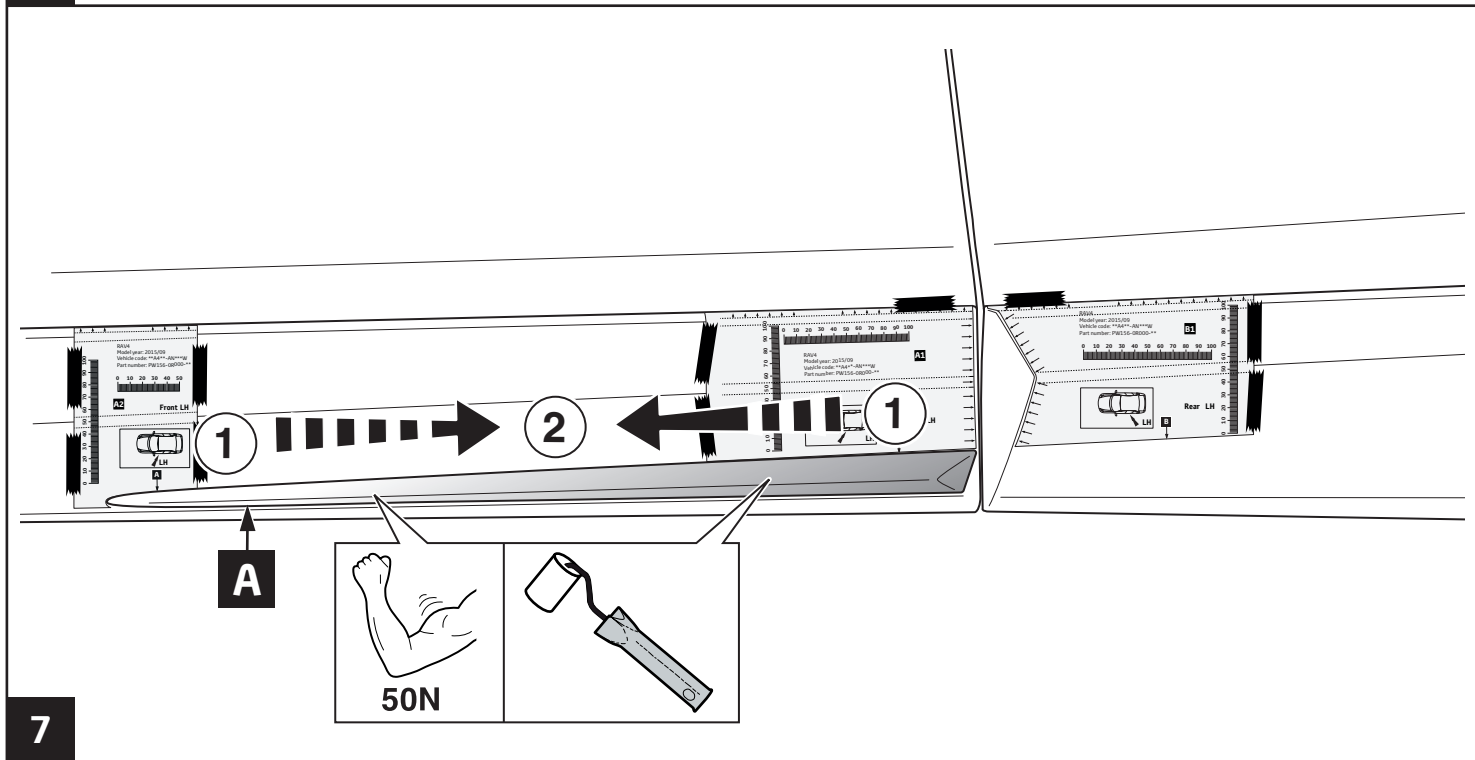


2

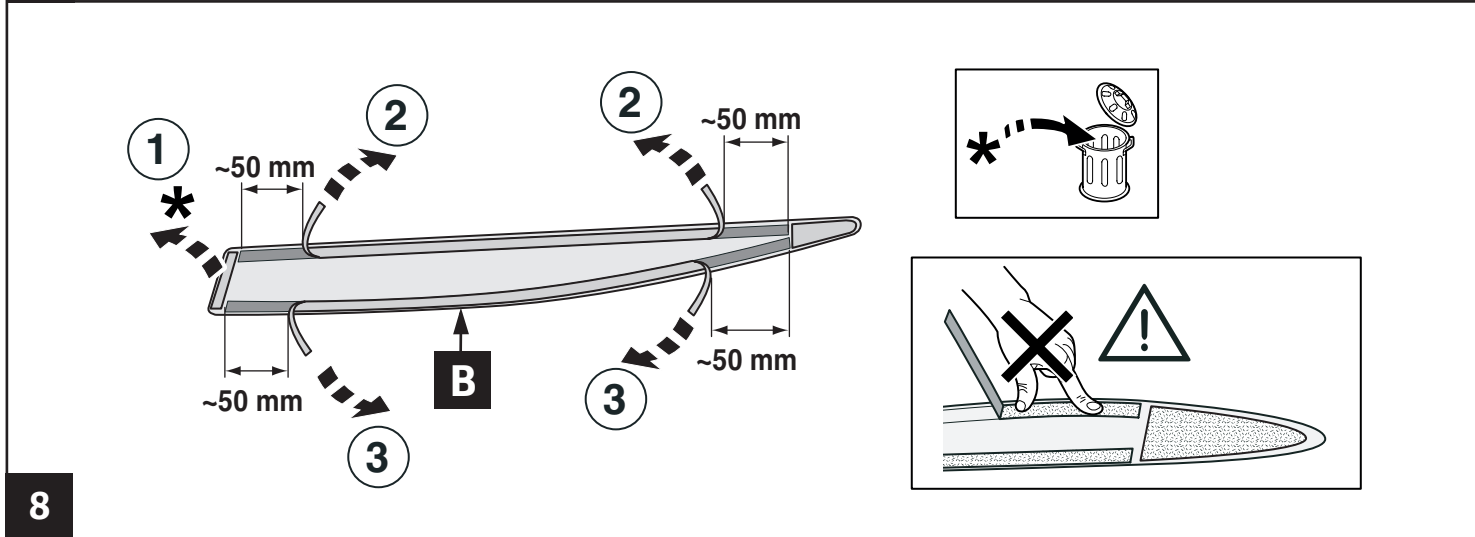




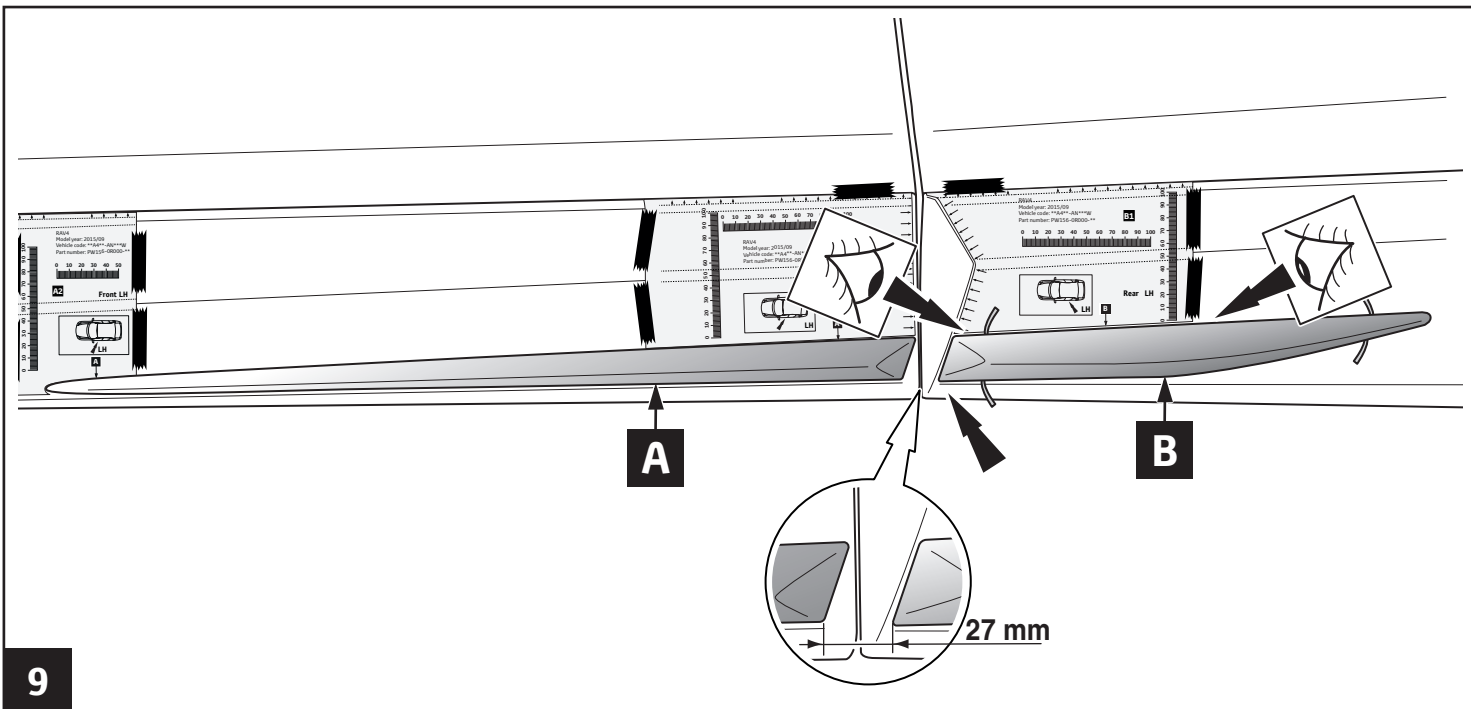
6



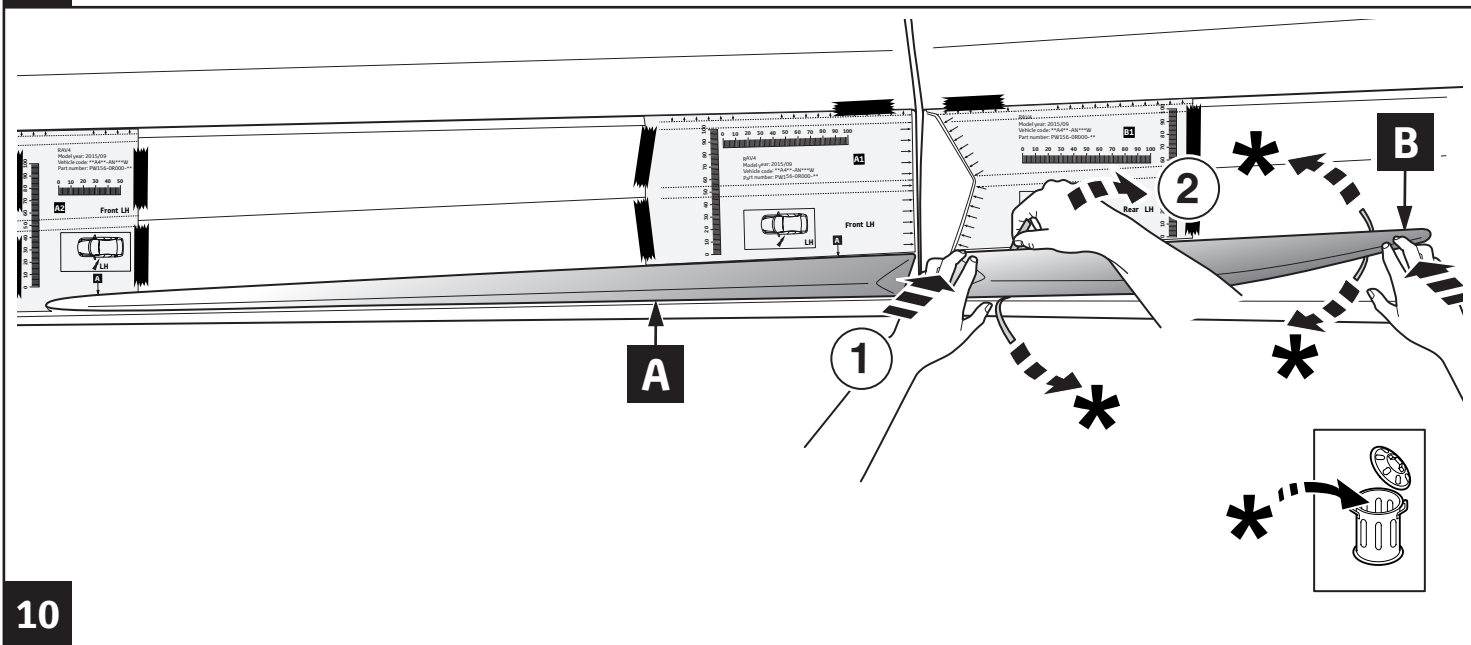
7



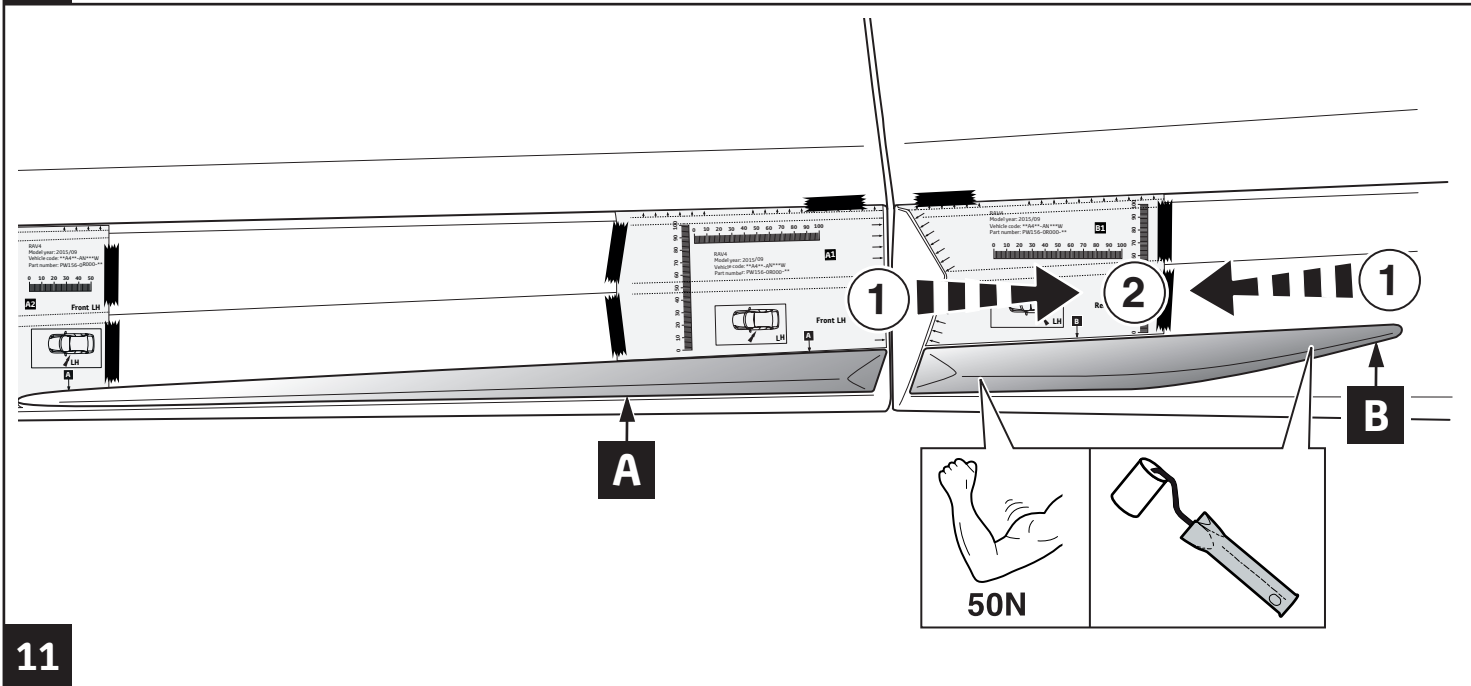
8



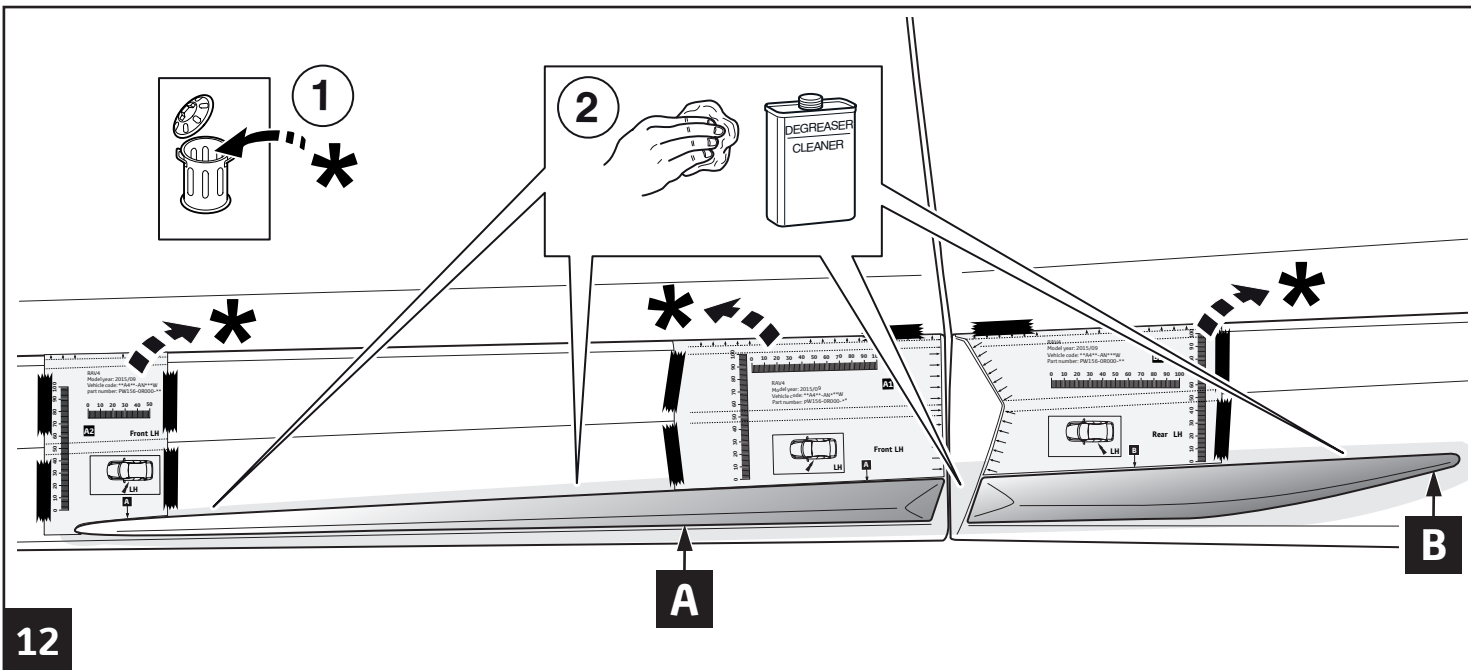
9



10

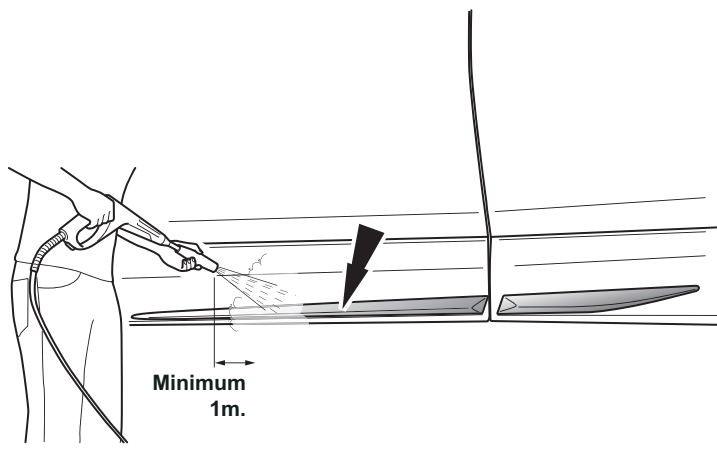
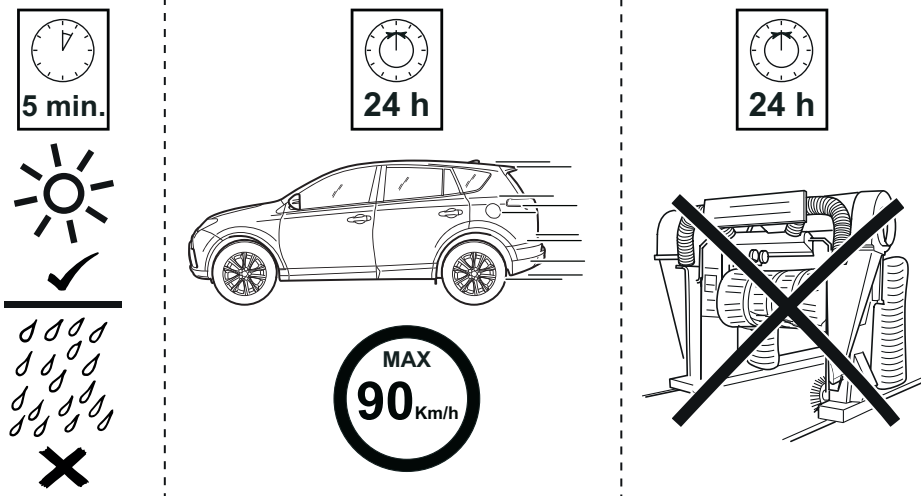
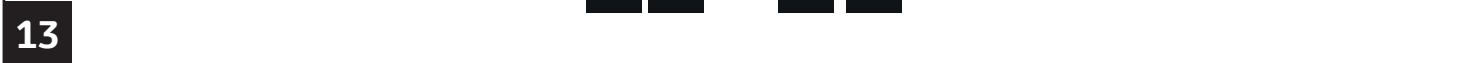


11



RHS = LHS

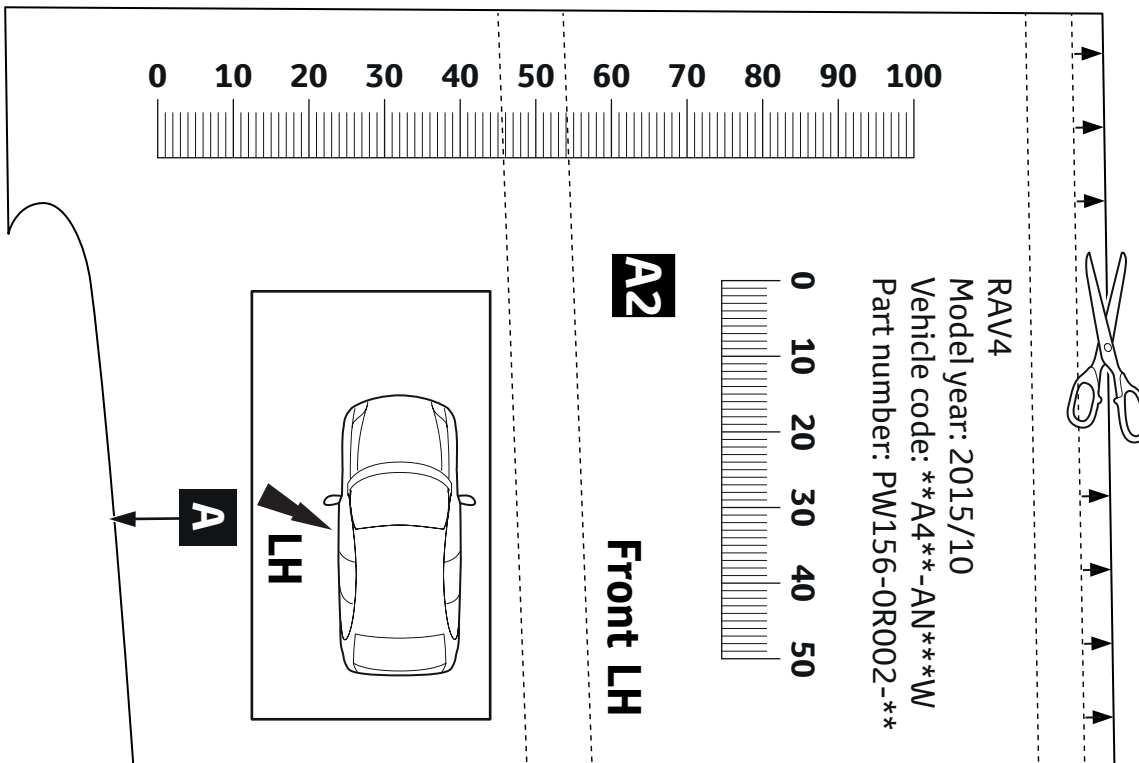
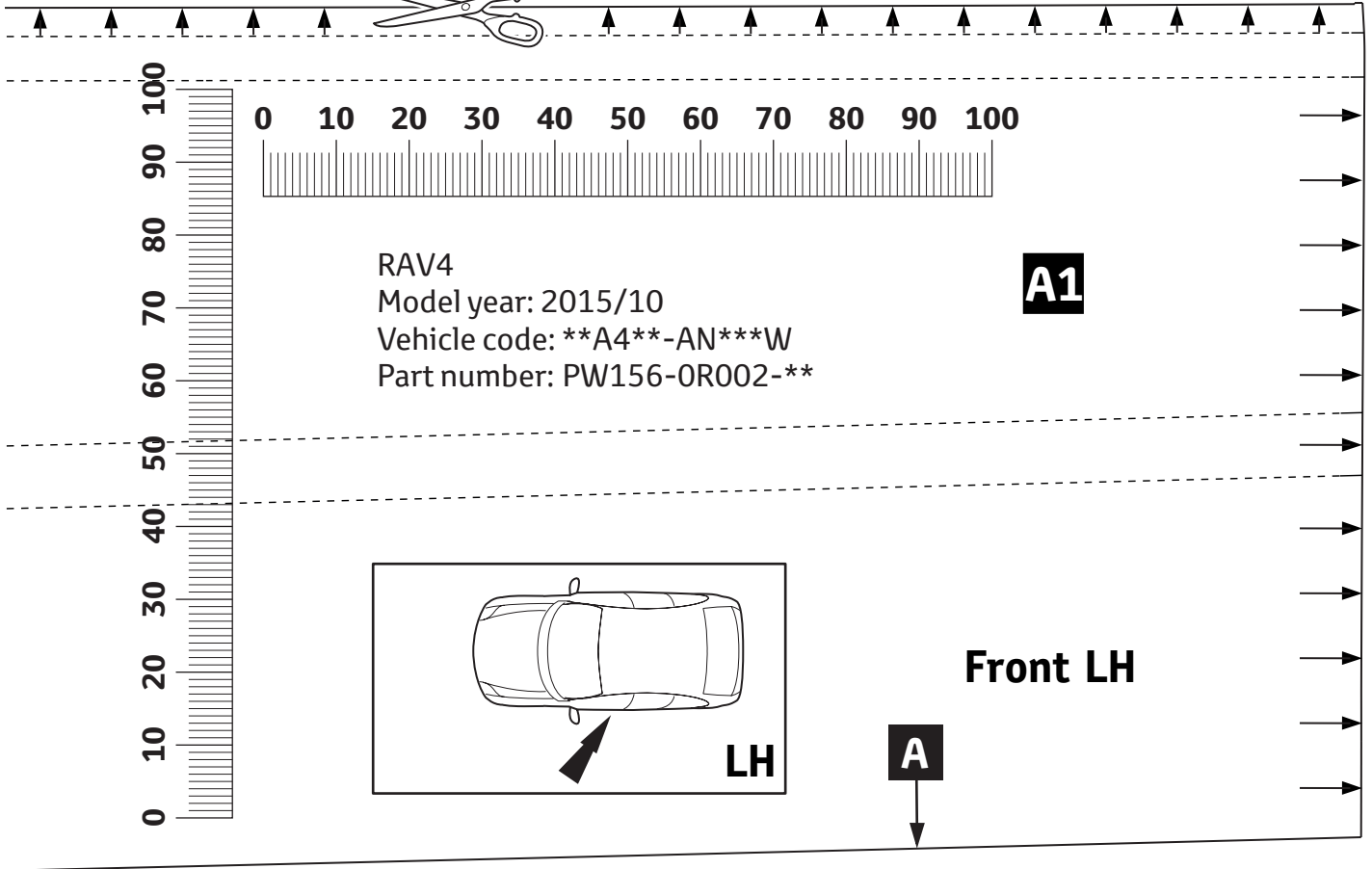
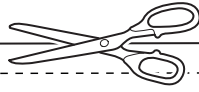
C D A B



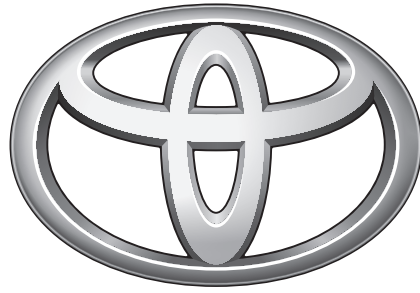
**CHECK SIZE**  
Print 100%



Check with rulers  
before use.







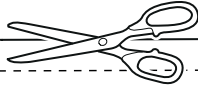
**TOYOTA**

# CHECK SIZE

Print 100%



Check with rulers  
before use.



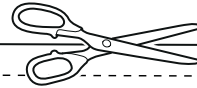
RAV4  
Model year: 2015/10  
Vehicle code: \*\*A4\*\*-AN\*\*\*W  
Part number: PW156-OR002-\*\*

**B1**

0 10 20 30 40 50 60 70 80 90 100

Rear LH

**B**



RAV4  
Model year: 2015/10  
Vehicle code: \*\*A4\*\*-AN\*\*\*W  
Part number: PW156-OR001-\*\*

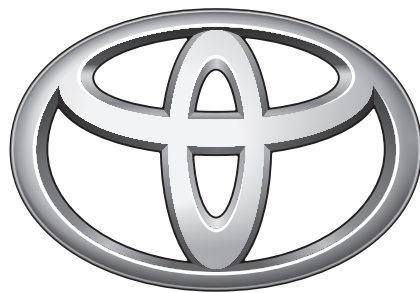
**D1**

0 10 20 30 40 50 60 70 80 90 100

Rear RH

**D**

**RH**



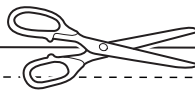
**TOYOTA**

# CHECK SIZE

Print 100%



Check with rulers  
before use.



0 10 20 30 40 50 60 70 80 90 100

RAV4  
Model year: 2015/10  
Vehicle code: \*\*A4\*\*-AN\*\*\*W  
Part number: PW156-0R001-\*\*

**C1**

Front RH

**C**

RH

0 10 20 30 40 50 60 70 80 90 100

RAV4  
Model year: 2015/10  
Vehicle code: \*\*A4\*\*-AN\*\*\*W  
Part number: PW156-0R001-\*\*

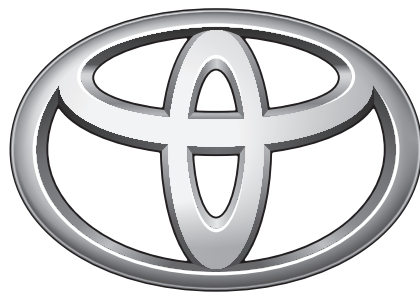
**C2**

Front RH

RH

**C**

0 10 20 30 40 50 60 70 80 90 100



**TOYOTA**

# CHECK SHEET



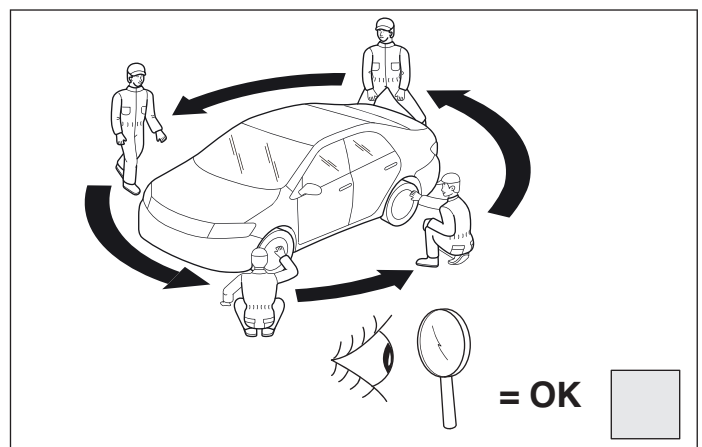
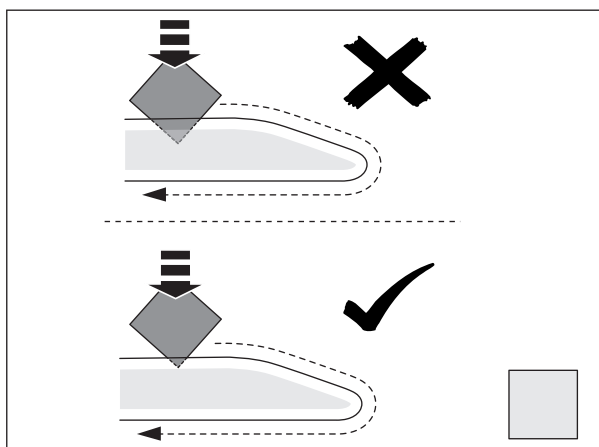
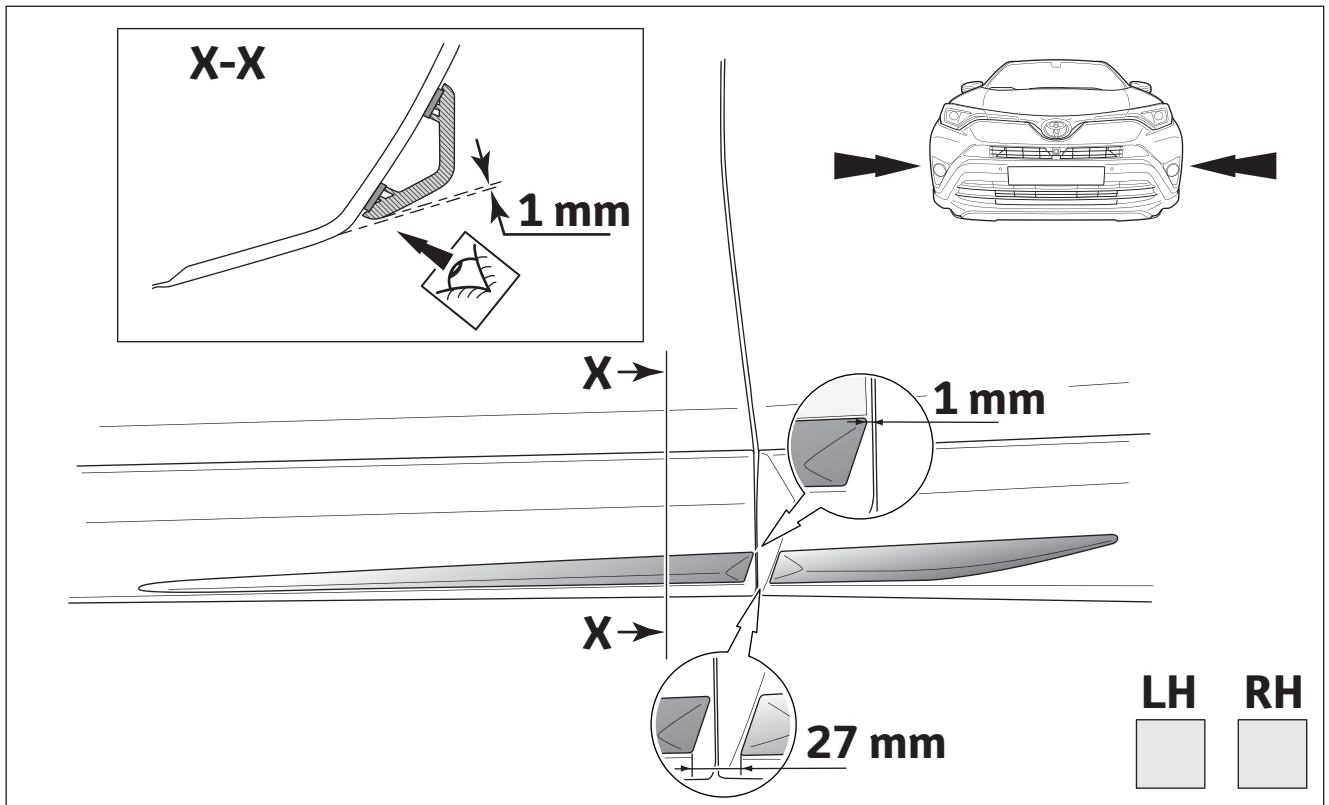
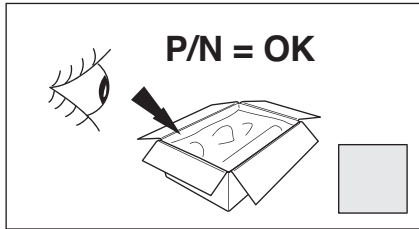
**TOYOTA**

ALWAYS A BETTER WAY

Model / Year **RAV4**  
**2015/10**

**Side Sills**

VIN n°



**Installation Date:**  
... / ... / ...

**Technician Name & Signature:**

**Stamp:**