



**TOYOTA**

ALWAYS A  
BETTER WAY

# Toyota C-HR

## Wind deflectors

Installation instructions

Model year: 2016/10  
Vehicle code: \*\*X\*0\*-AH\*\*\*W  
Part number: PW162-10000  
PW162-10002

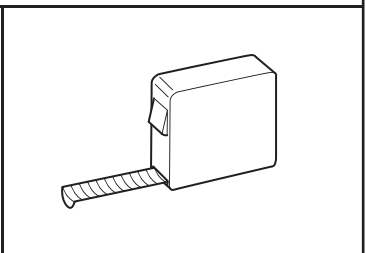
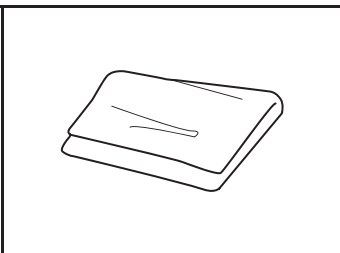
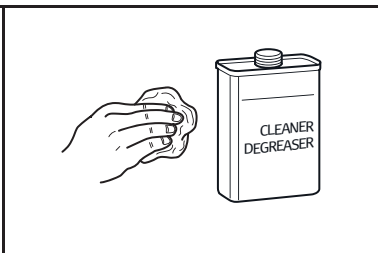
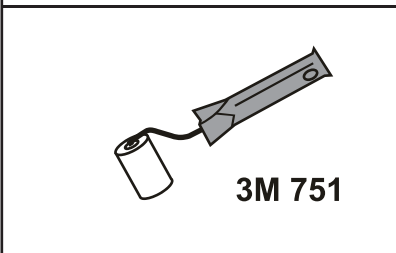
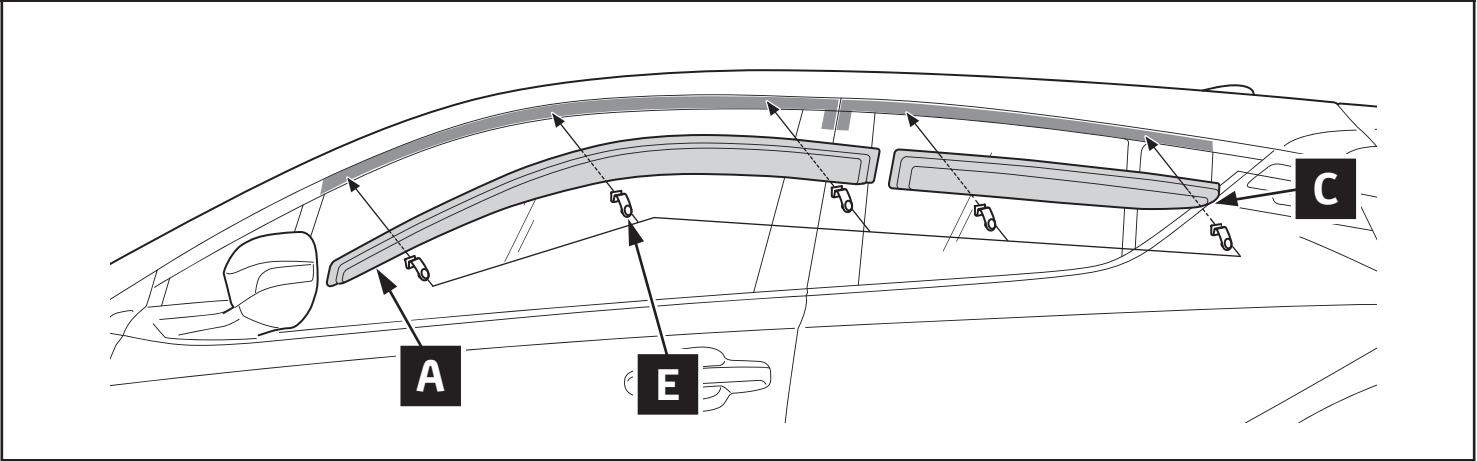
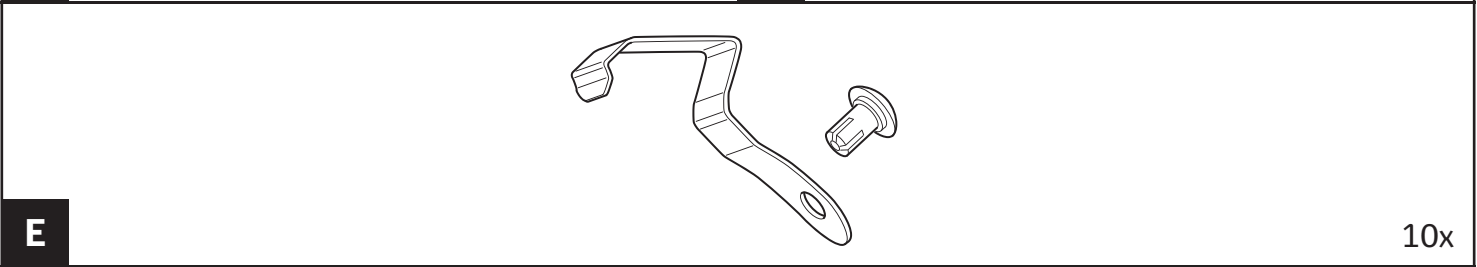
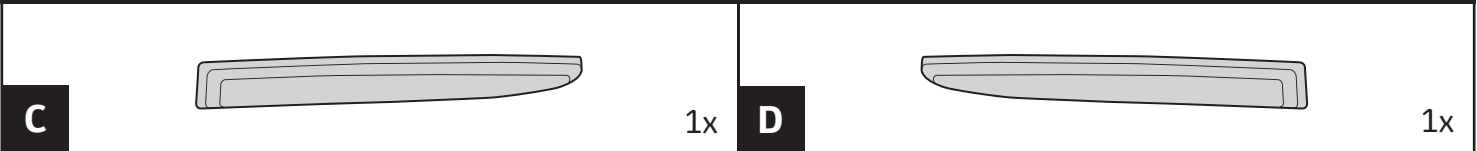
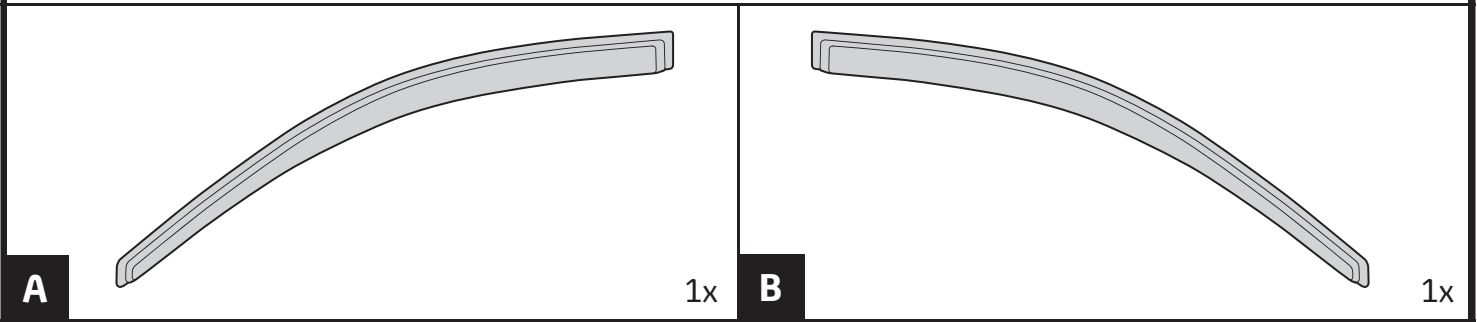
Manual reference number: AIM 003 792 - 0

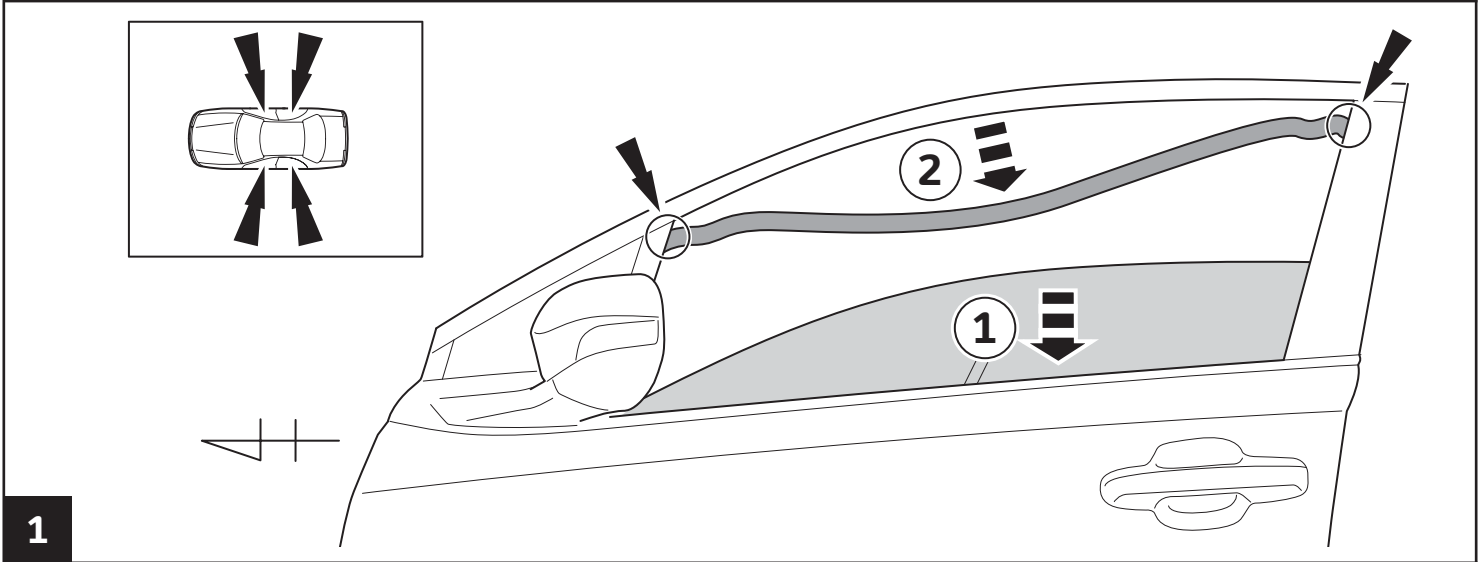
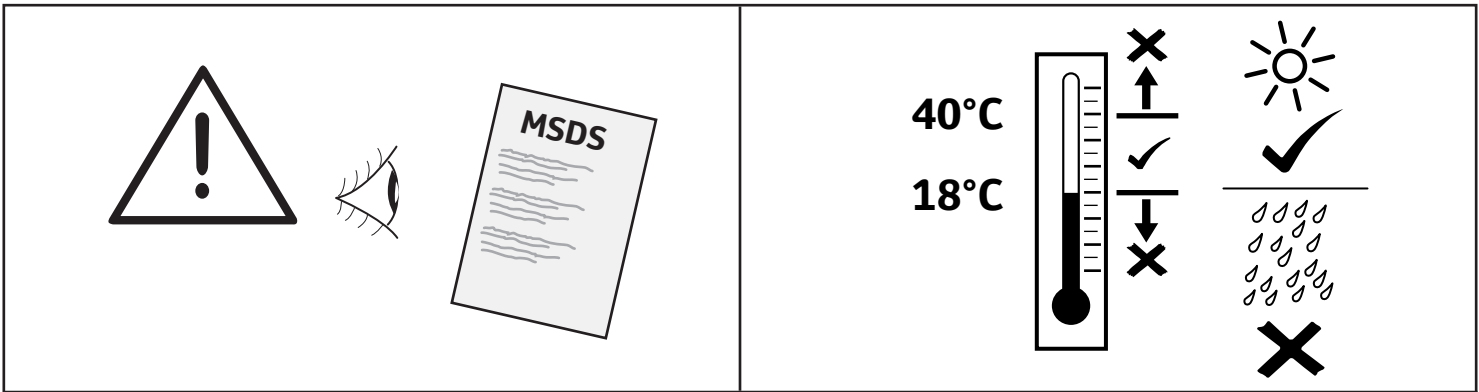
# Revision Record

Rev. No.	Date	Page	Picture	Update	New	Deleted steps

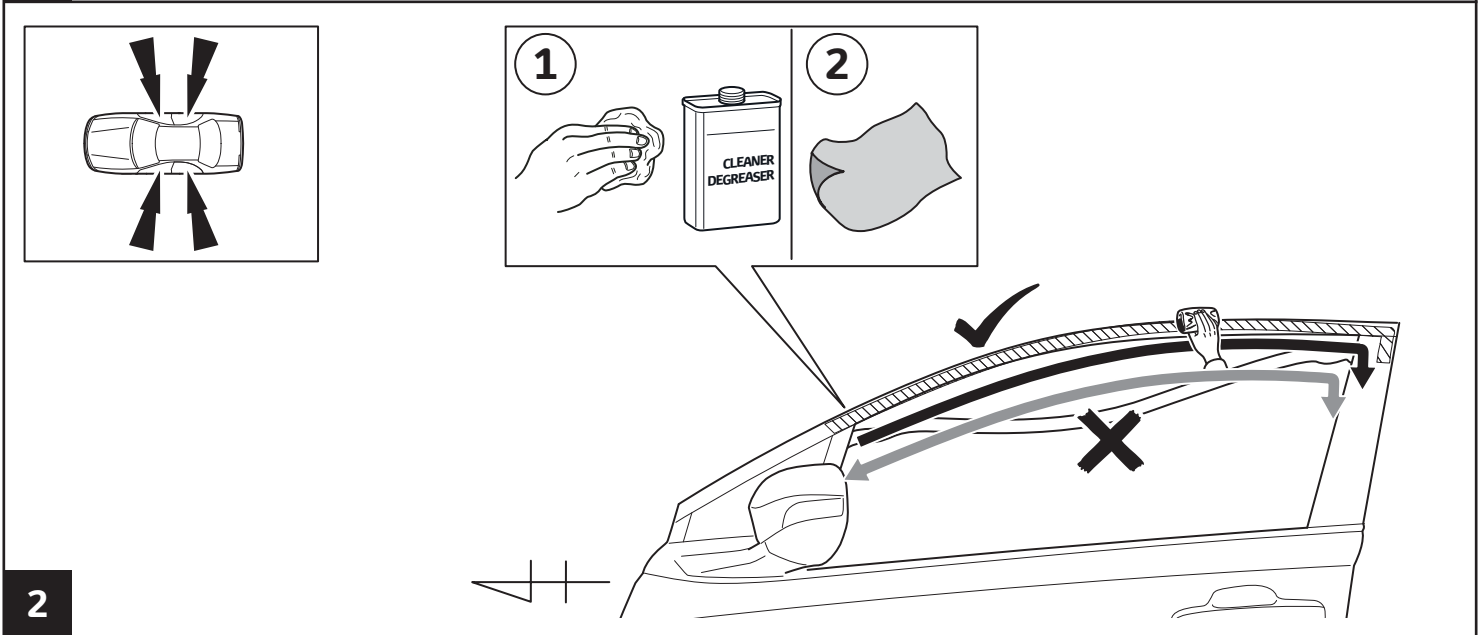
**PW162-10000**

**PW162-10002**

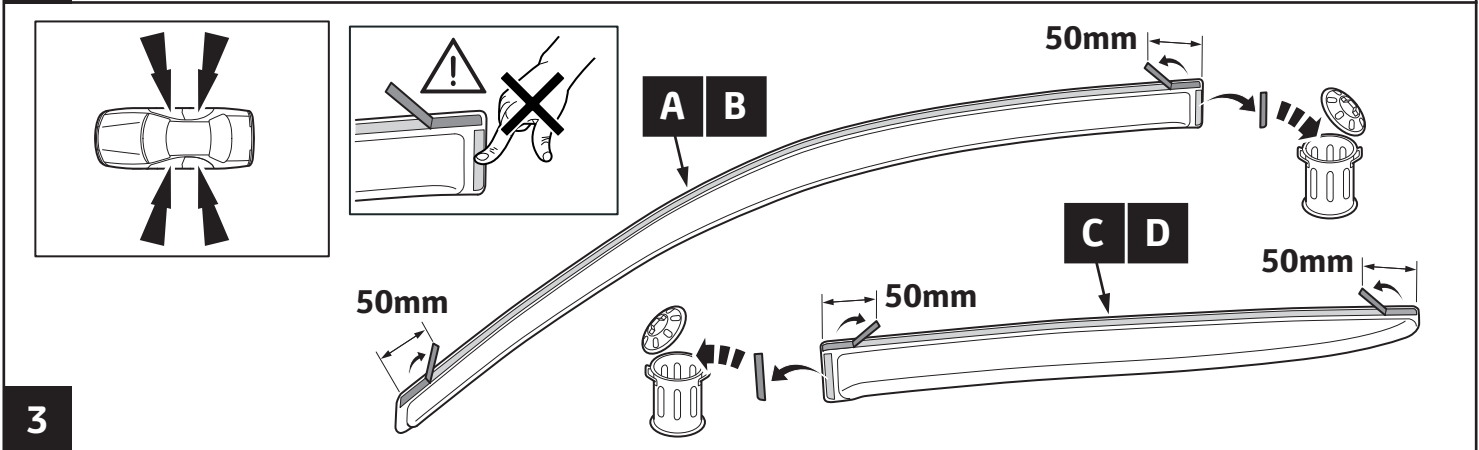




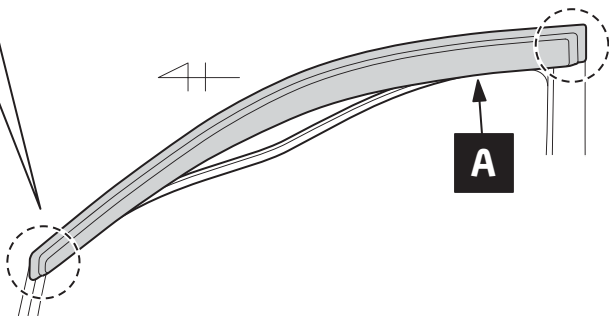
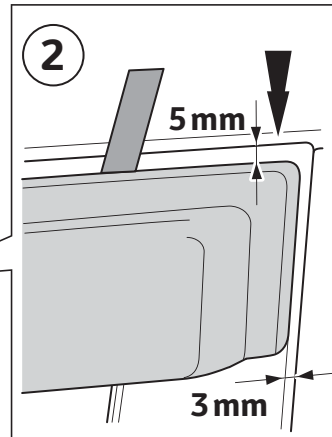
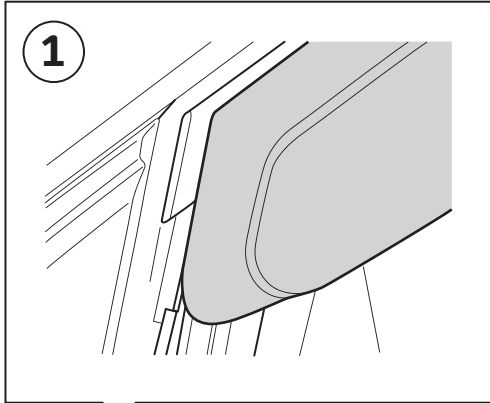
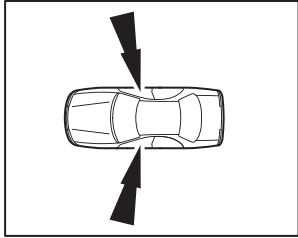
1



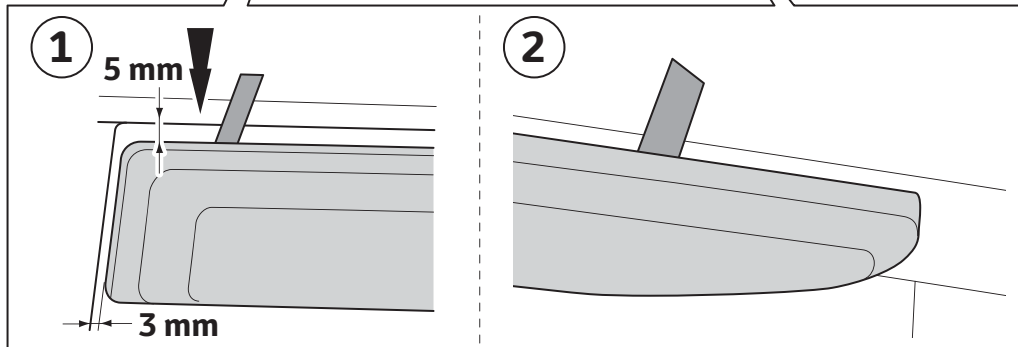
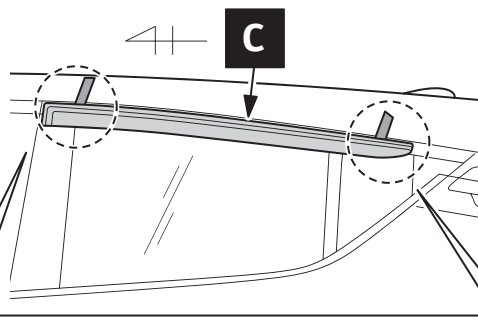
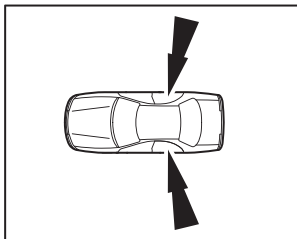
2



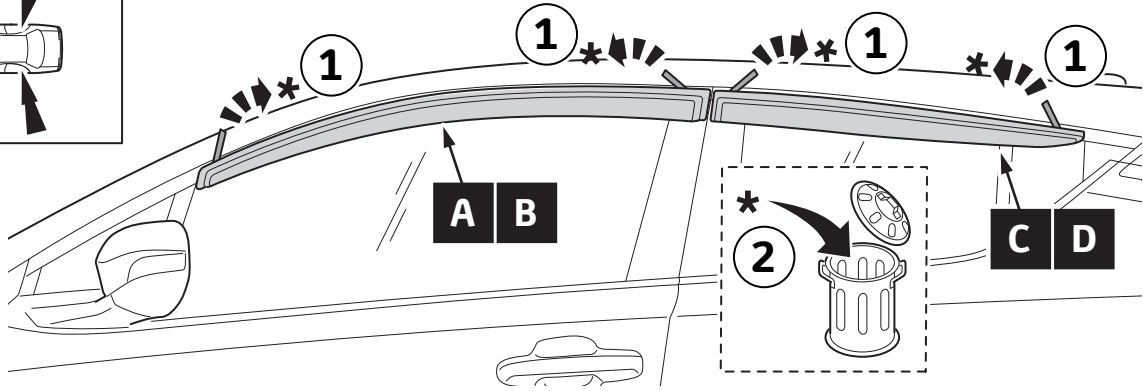
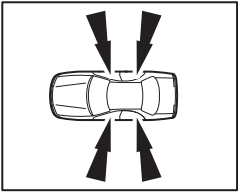
3



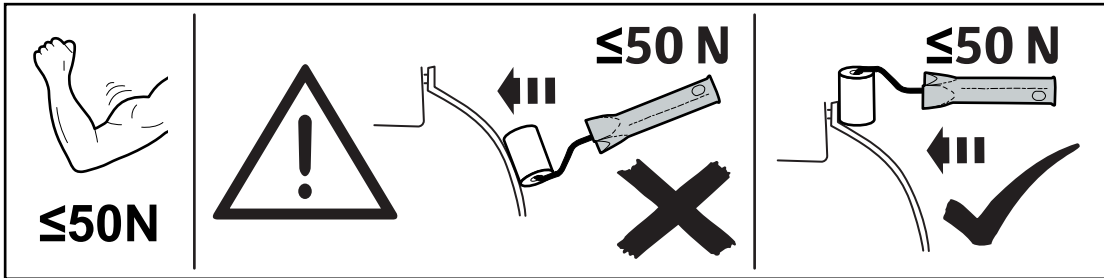
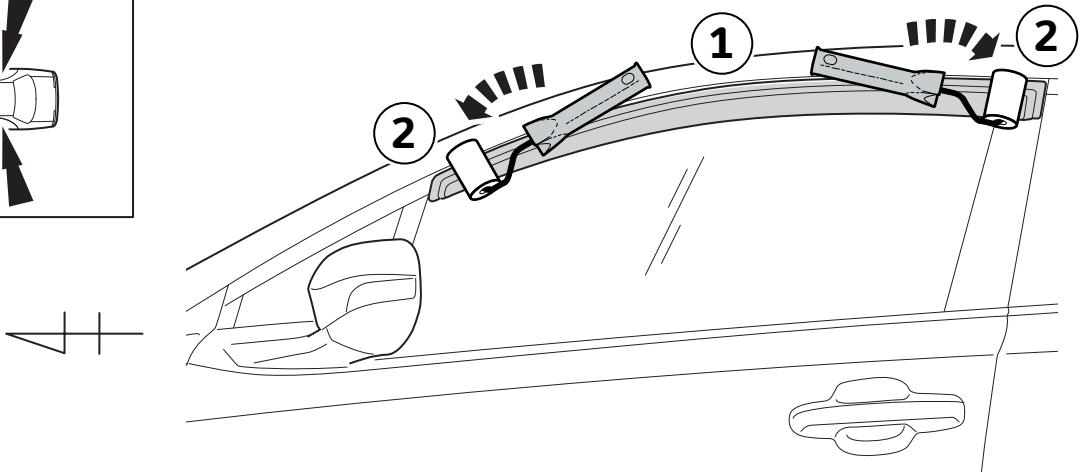
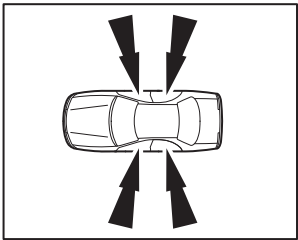
4



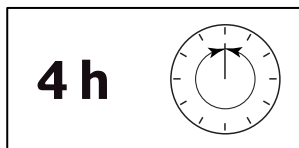
5



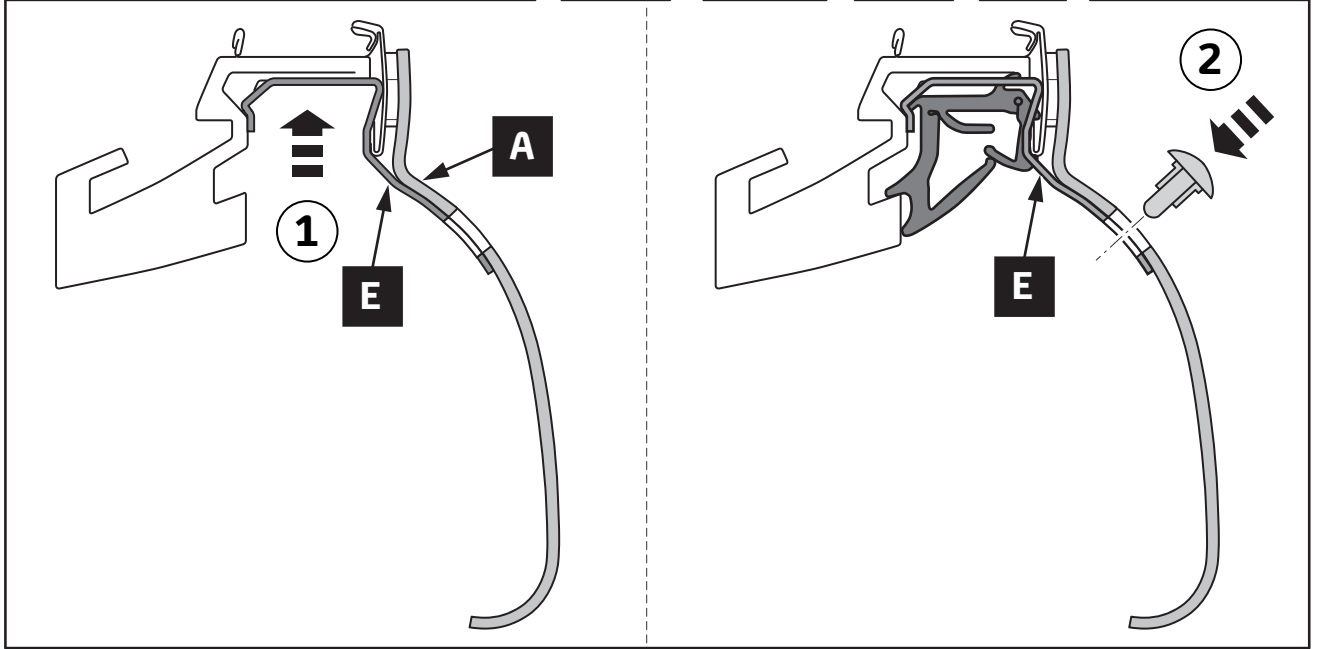
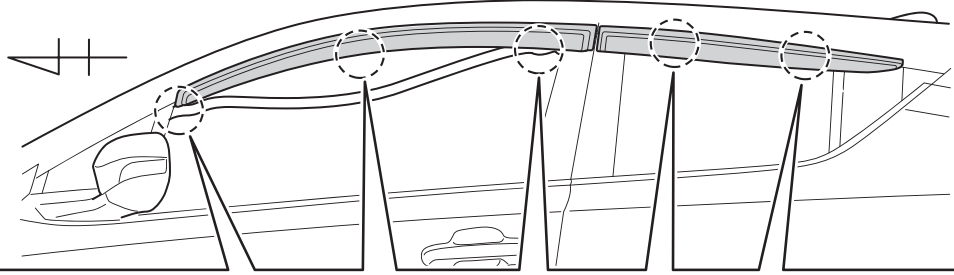
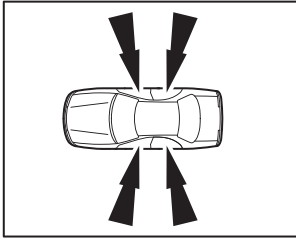
6



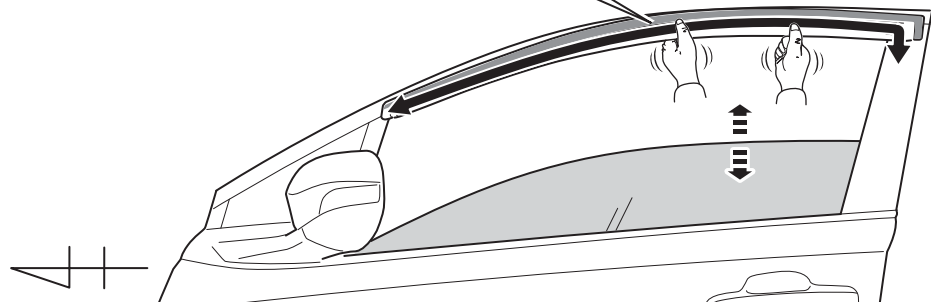
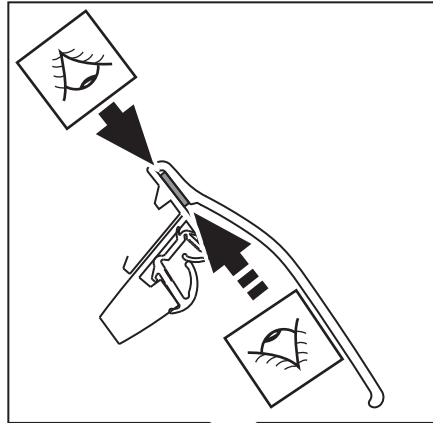
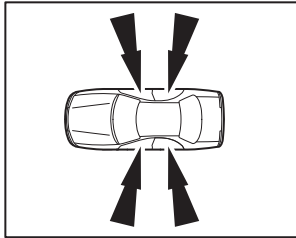
7



8




9

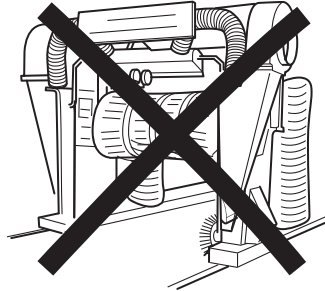


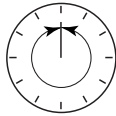
10

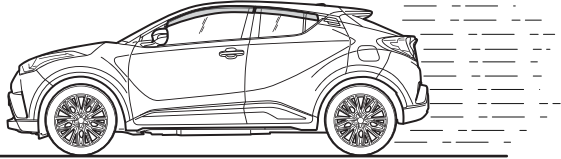
**5 min.** 



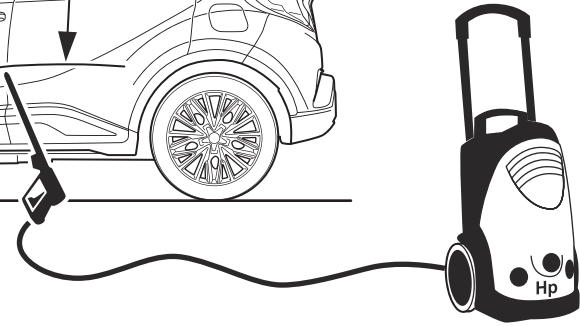
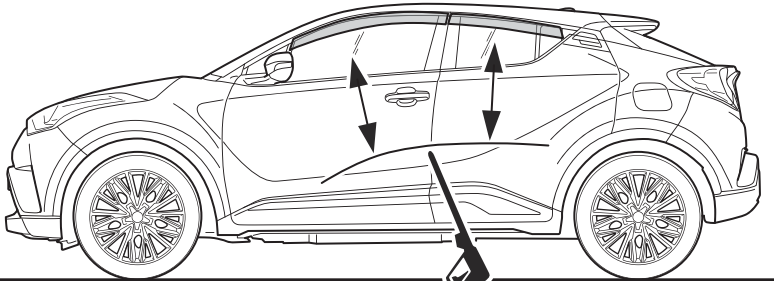
**24 h** 



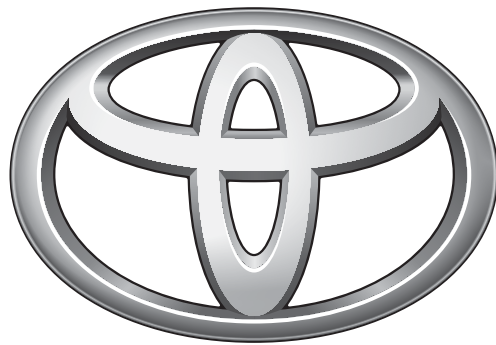
**24 h** 



**Max. 90 Km/h**



**> 1 meter**



**TOYOTA**



# CHECK SHEET



**TOYOTA**

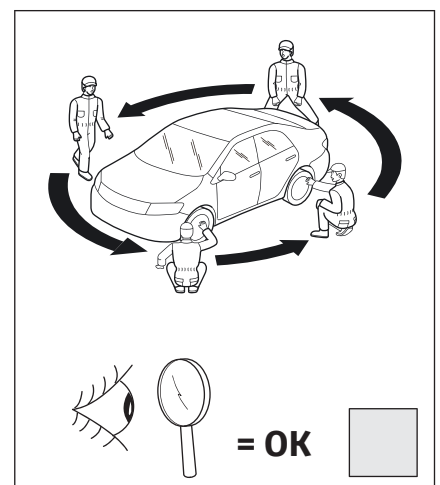
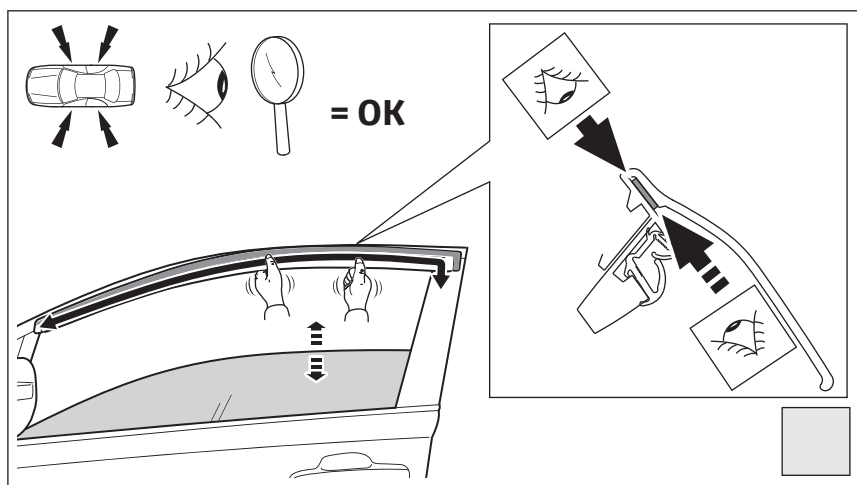
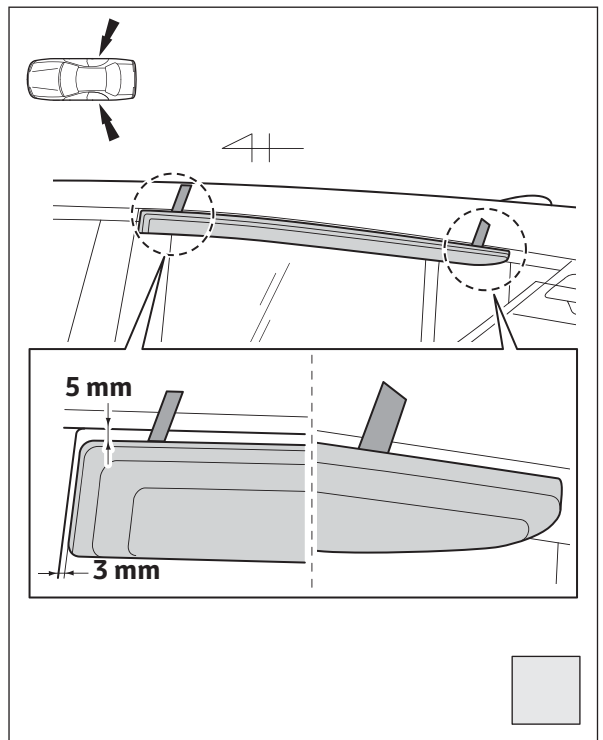
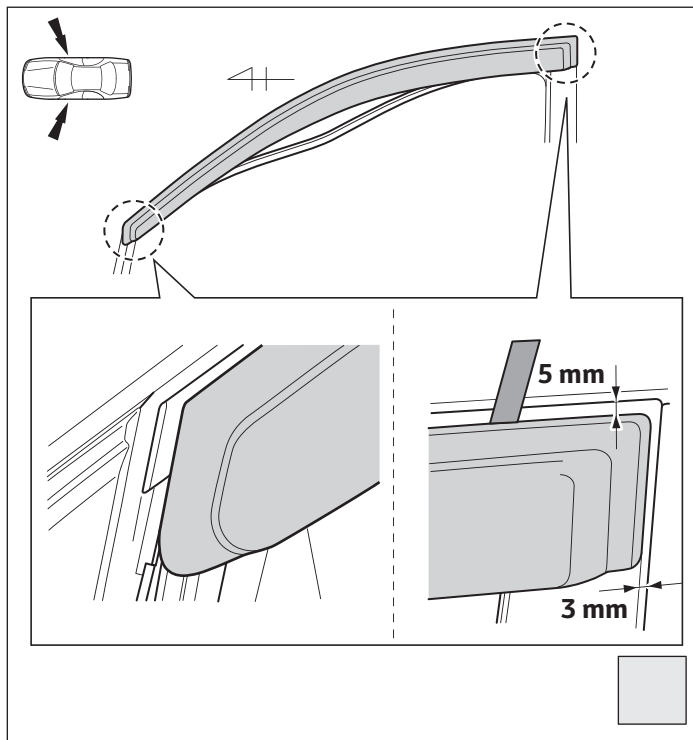
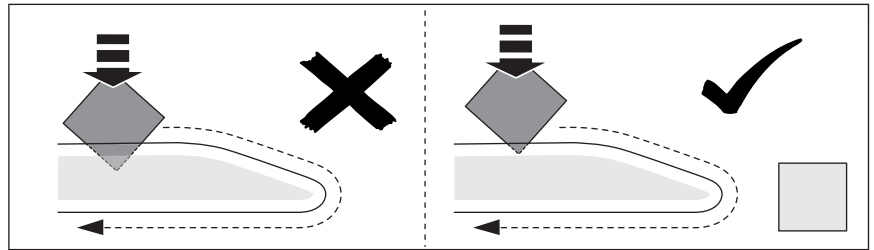
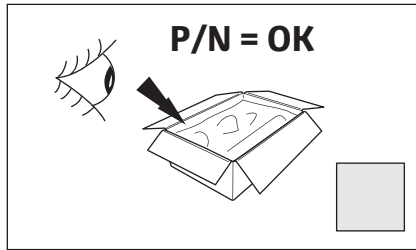
Model / Year

**Toyota C-HR  
2016/10**

**Wind deflectors**

VIN n°

ALWAYS A  
BETTER WAY



**Installation Date:**

... / ... / ...

**Technician Name & Signature:**

**Stamp:**