



Toyota C-HR

Front bumper garnish (Painted / Chrome)

Installation instructions

ALWAYS A
BETTER WAY

Model year:	2016/10
Vehicle code:	**X*0*-AH***W **X*0*-AH***X
Part number:	PW401-10000-**

Manual reference number: AIM 003 808 - 0

Revision Record

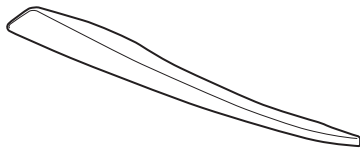
Rev. No.	Date	Page	Picture	Update	New	Deleted steps

PW401-10000-**



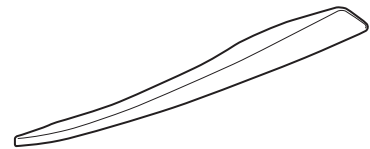
A

1x



B

1x



C






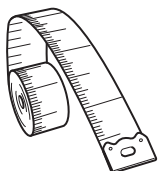

1x



3M Adhesion Promoter

D

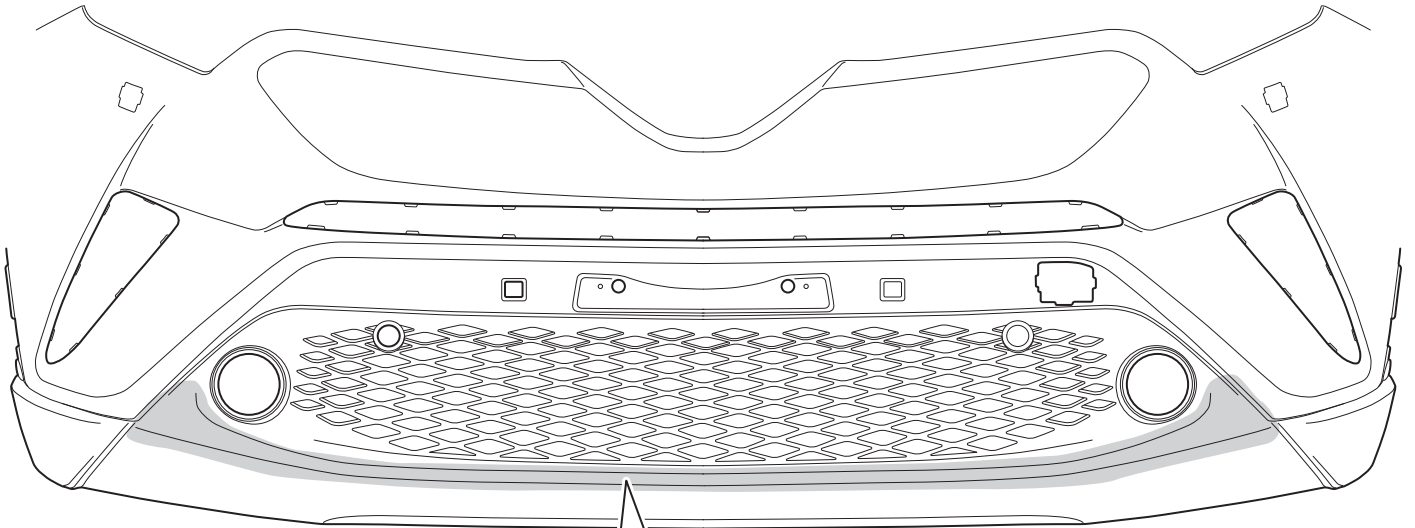
1x

		 3M 2010		 3M 751		 TESA 4651 3M 3960
--	---	---	---	---	---	---



40°C

18°C



1

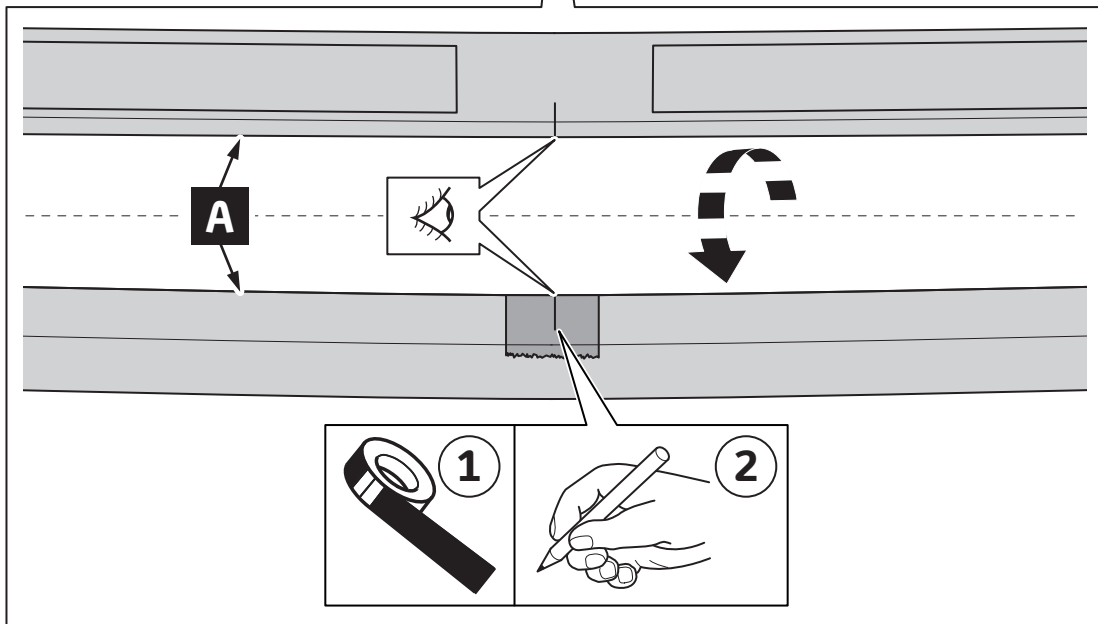


2

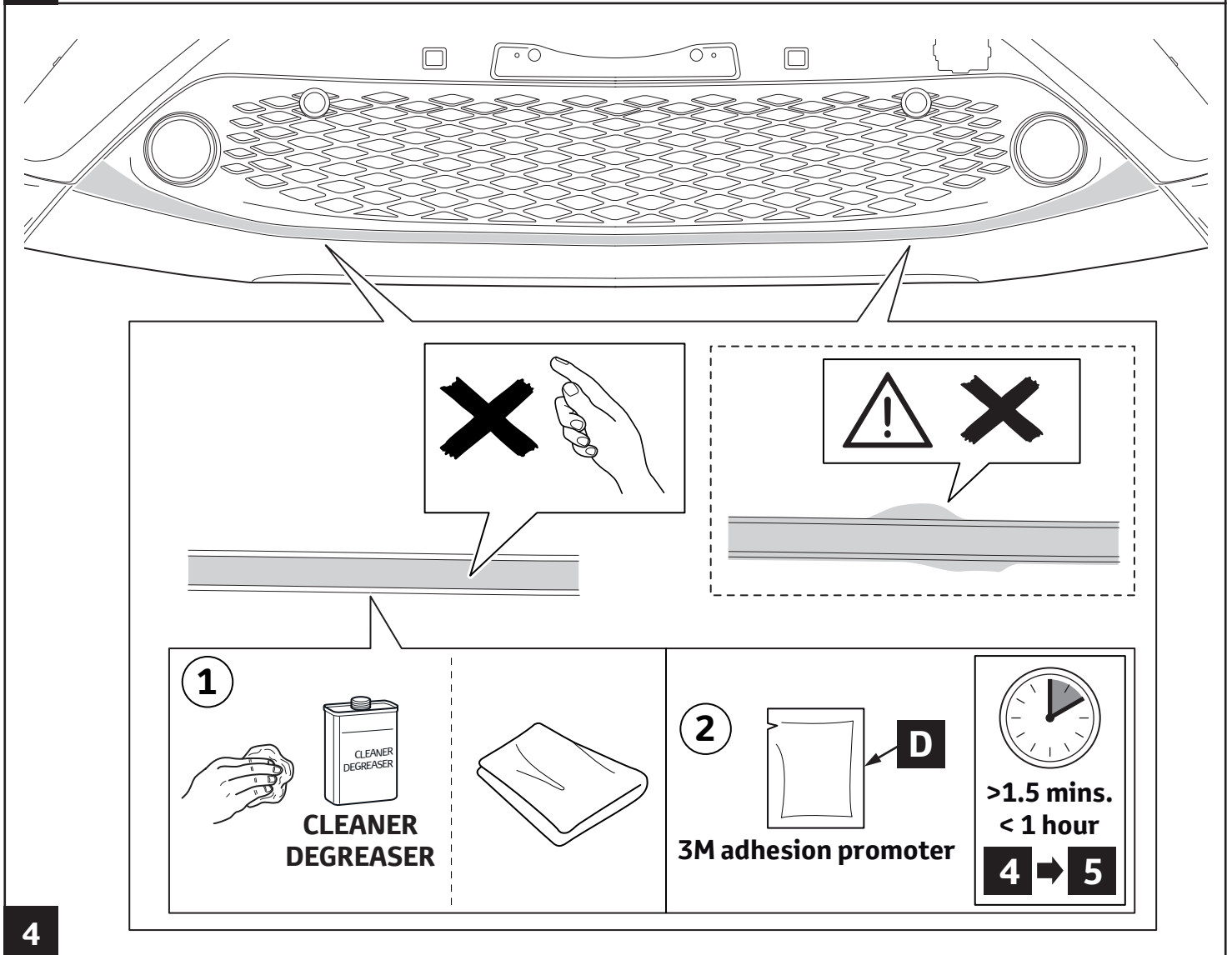
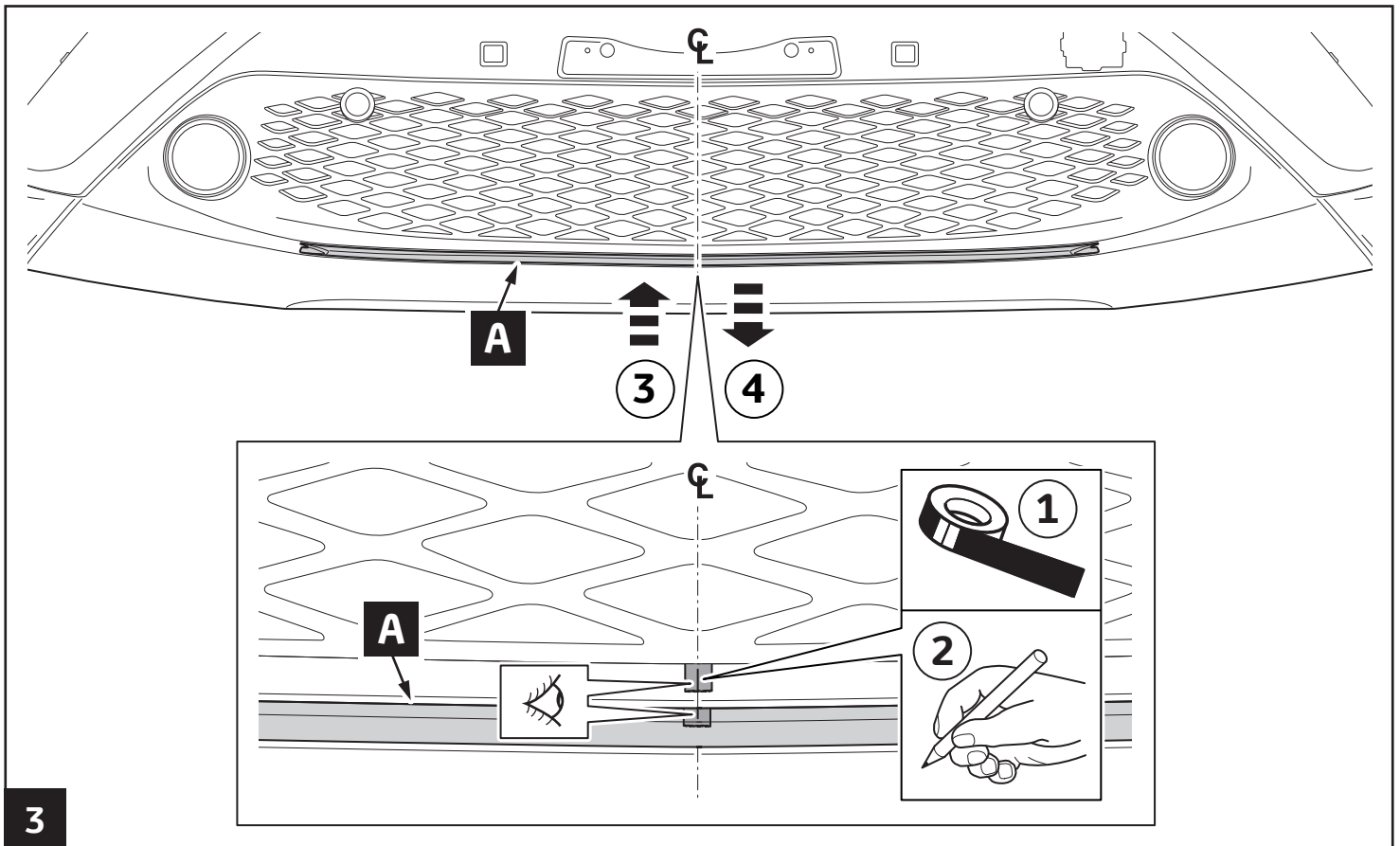
3M 2010

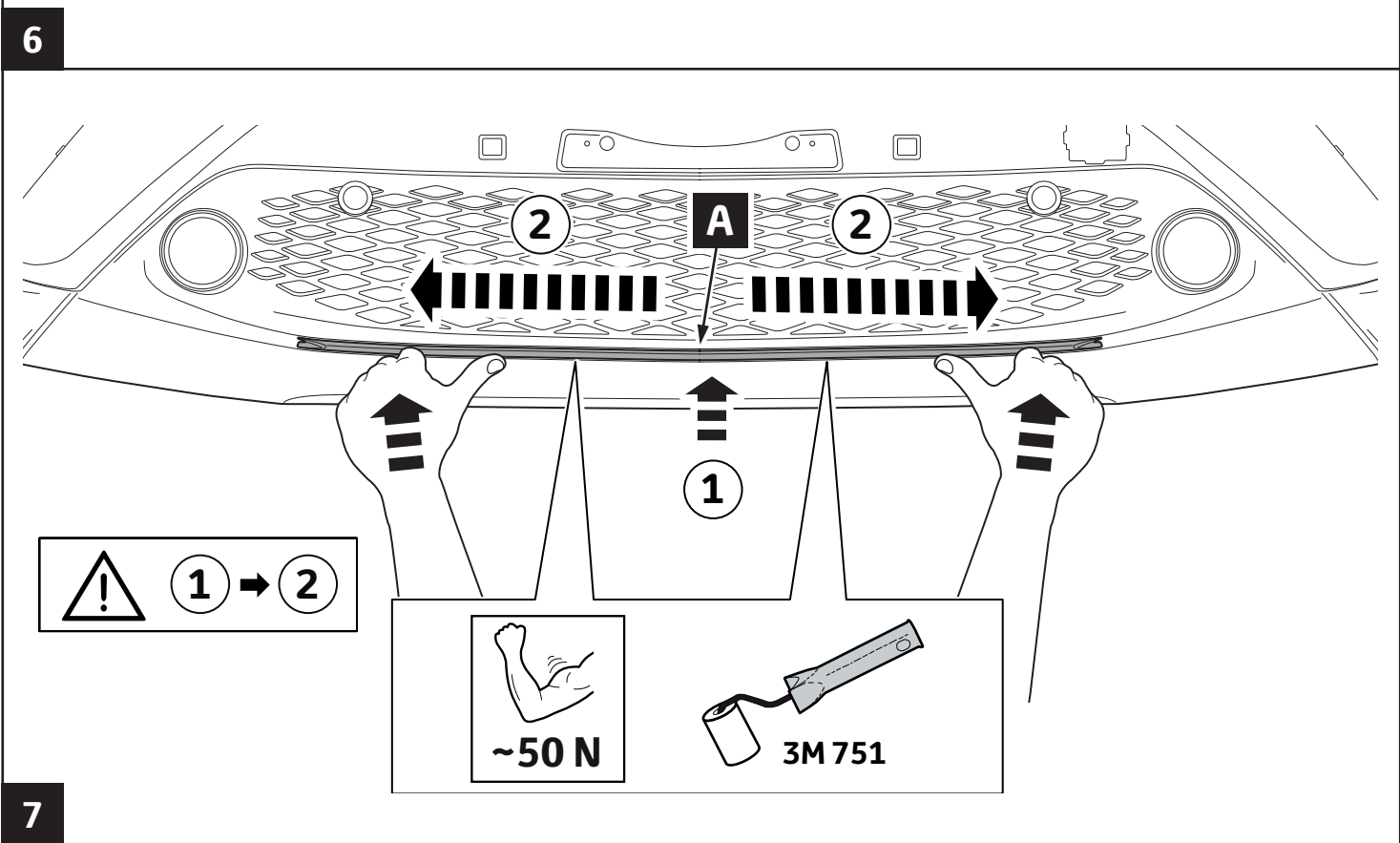
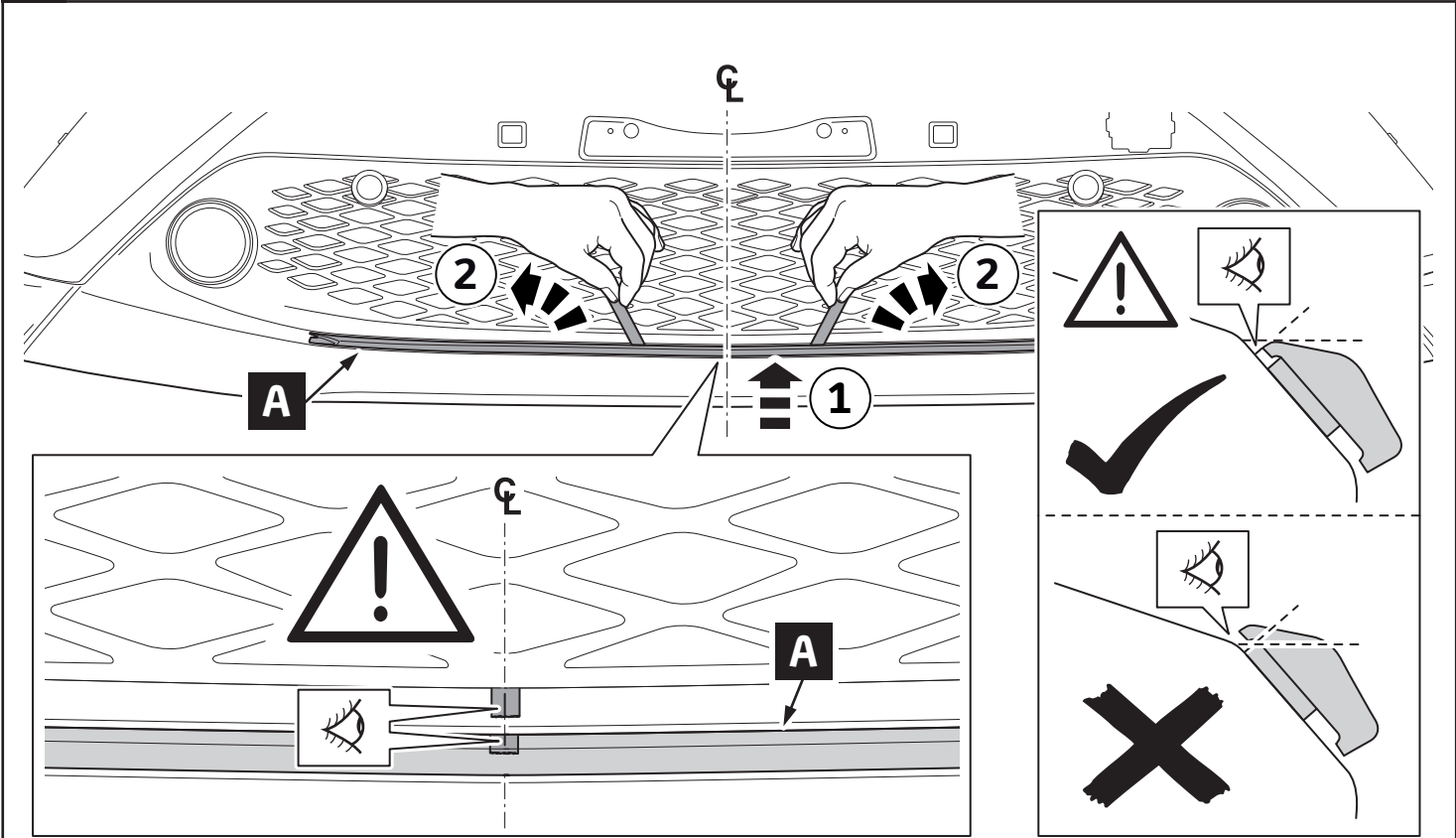
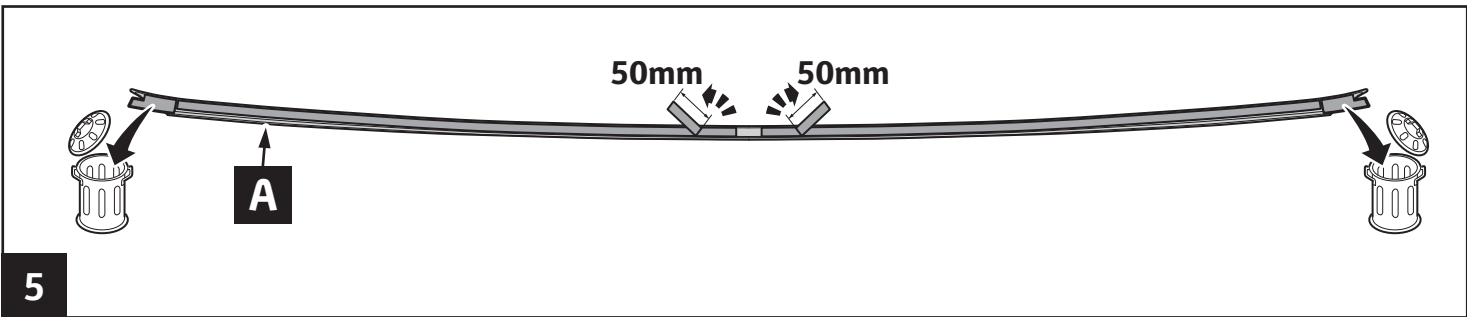


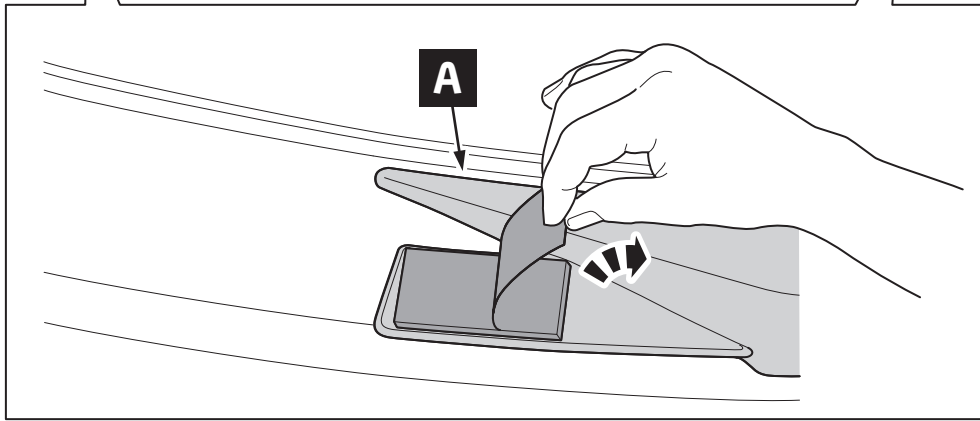
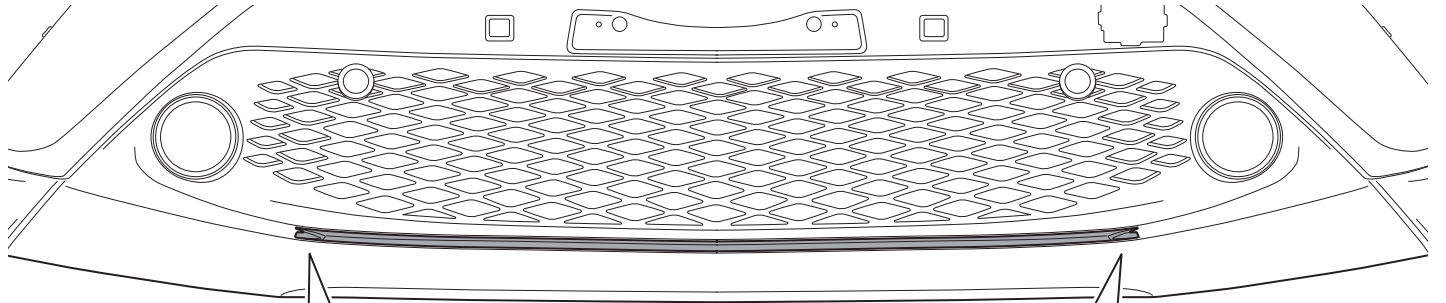
1



2

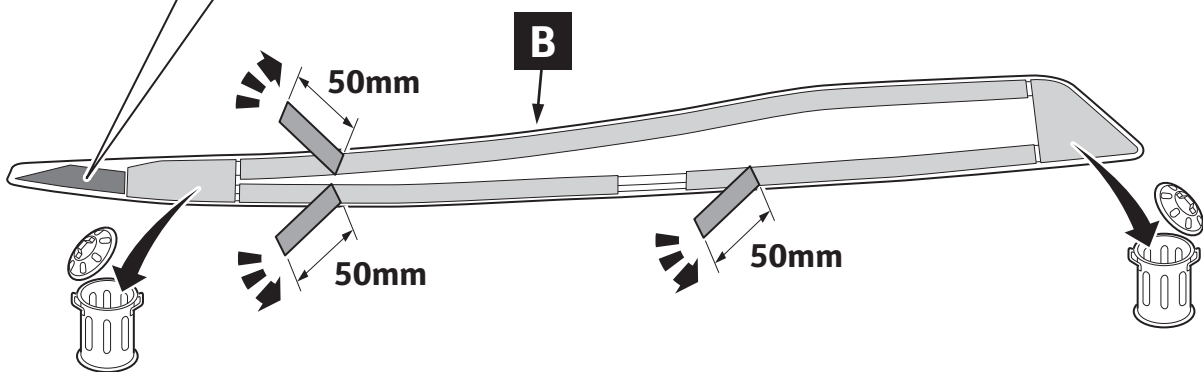




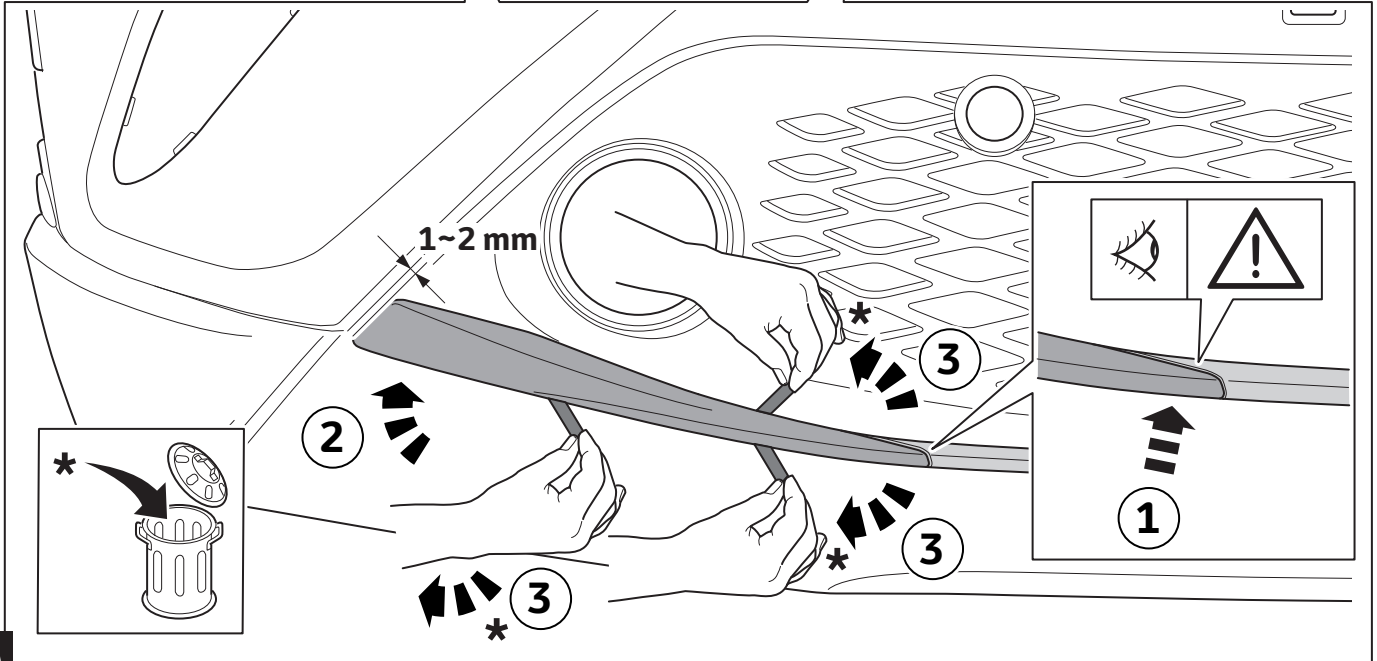
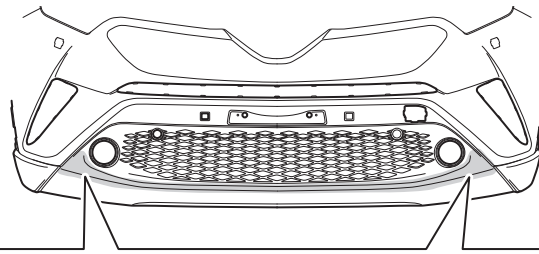


8

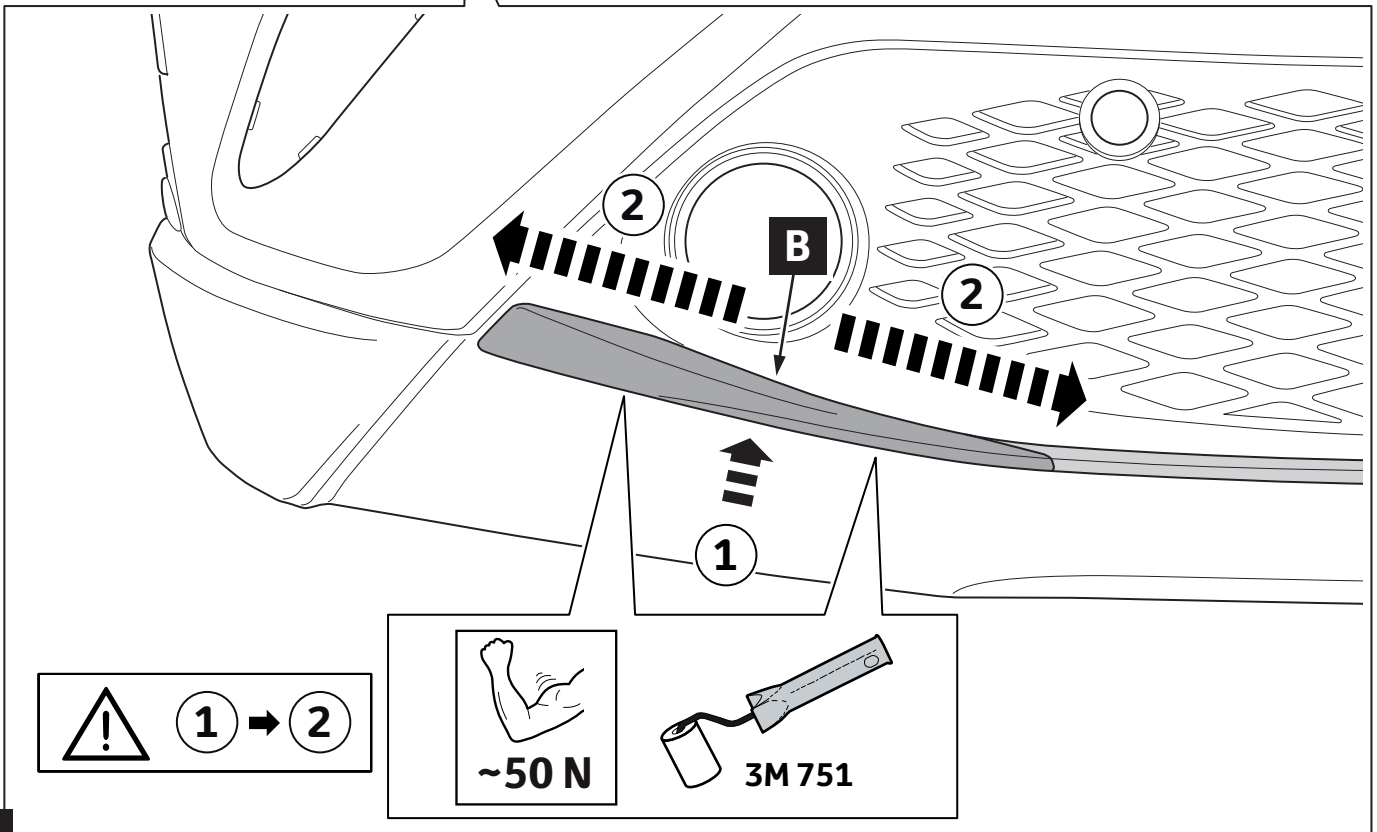
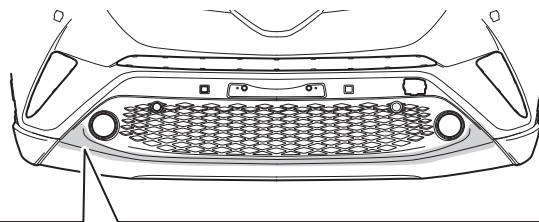
<p>1</p> <p>CLEANER DEGREASER</p>	<p>2</p> <p>3M adhesion promoter</p>	<p>>1.5 mins. < 1 hour</p> <p>10 → 11</p>
---	--	---



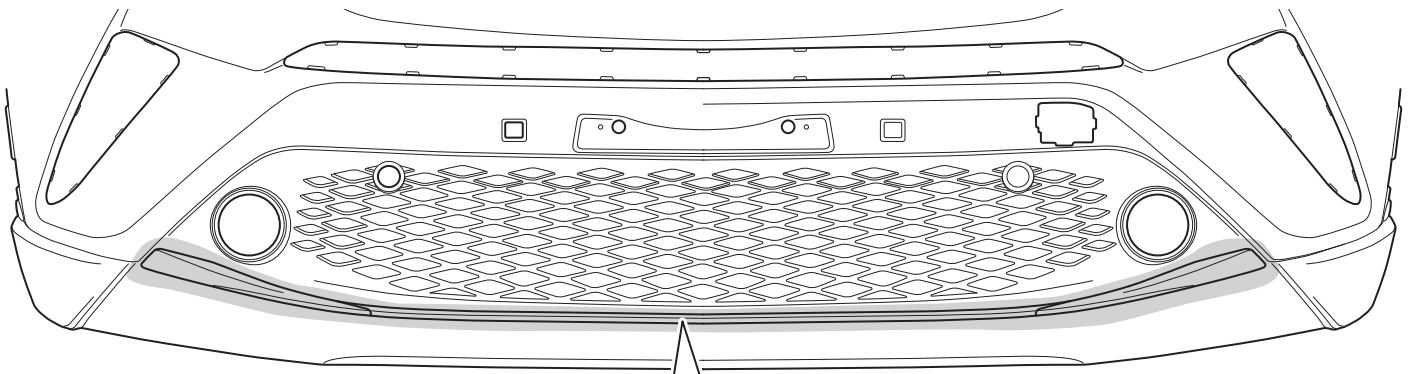
9


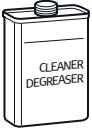



10



11



<p>1</p> 		<p>2</p> <p>3M 2010</p> 
---	---	--

12

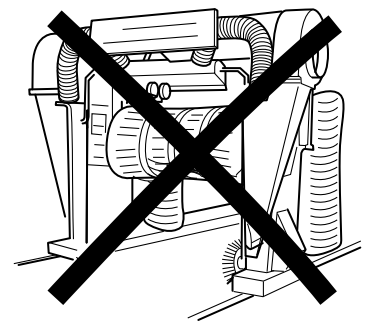
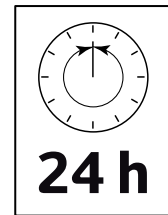
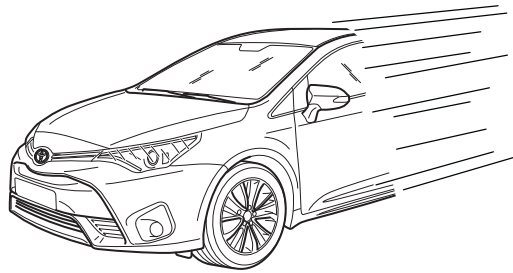
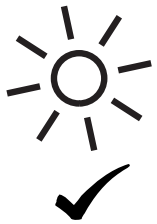
Fig.8 - Fig.12

Fig.8 - Fig.12

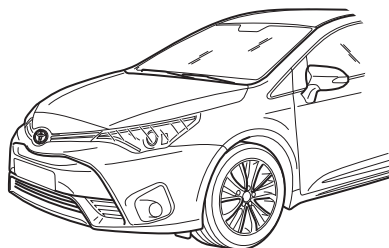
RHS = LHS

B C

14



> 1 meter



CHECK SHEET



TOYOTA

Model / Year Toyota C-HR
2016/10

Front bumper garnish

VIN n°

ALWAYS A
BETTER WAY

P/N = OK

= OK

= OK

Installation Date:
... / ... / ...

Technician Name & Signature:

Stamp: