



TOYOTA

ALWAYS A
BETTER WAY

Auris

Exhaust pipe finisher

Installation Instructions

Model year: 2012/10, 2015/05

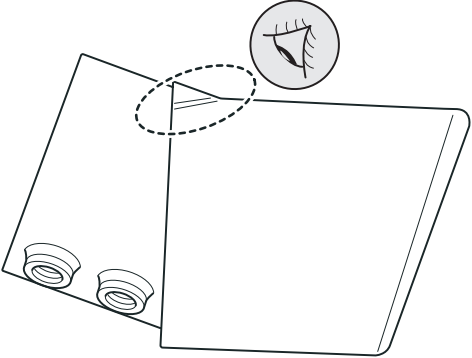

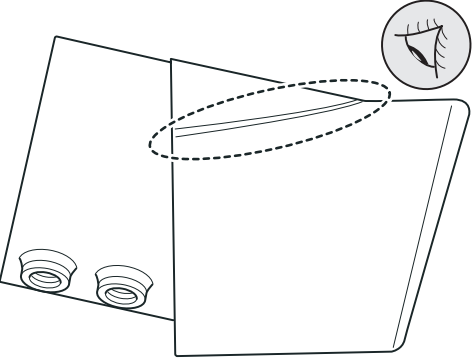


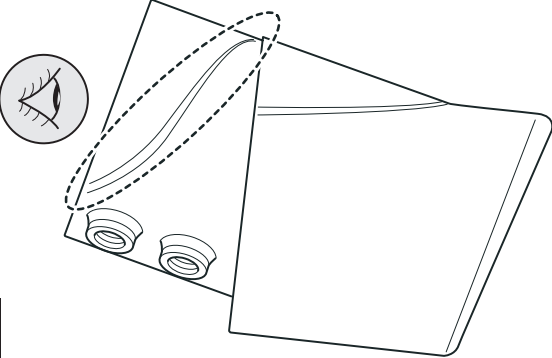


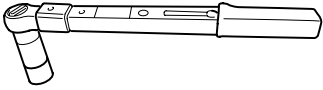
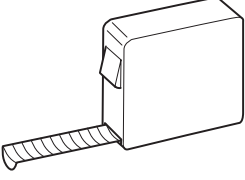

Vehicle code: NDE180*-DH***XW / ZRE185*-DH**PW
WW185L-DHF*XW / ZWE186*-DHX*BW

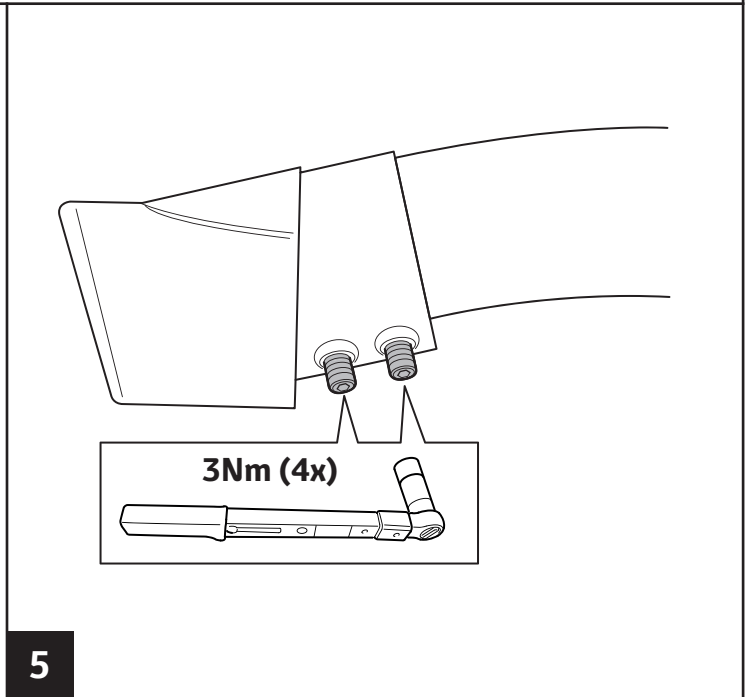
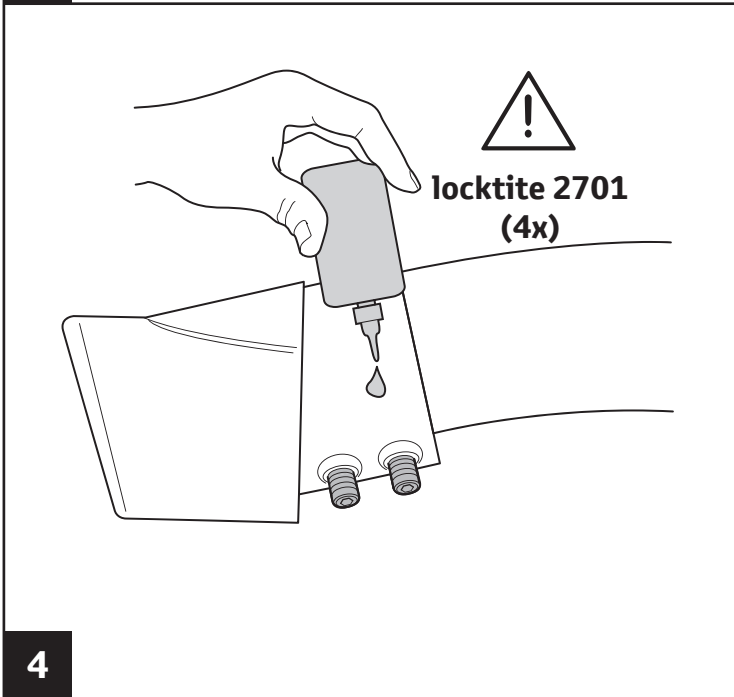
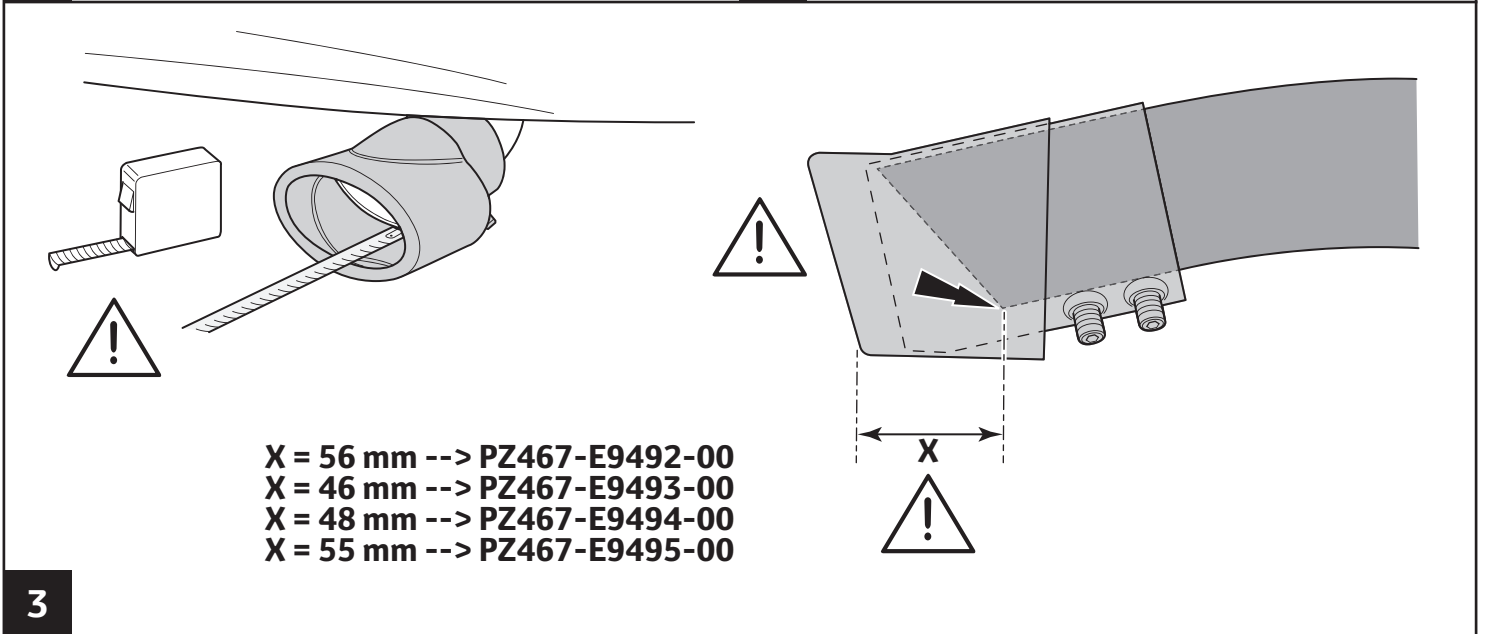
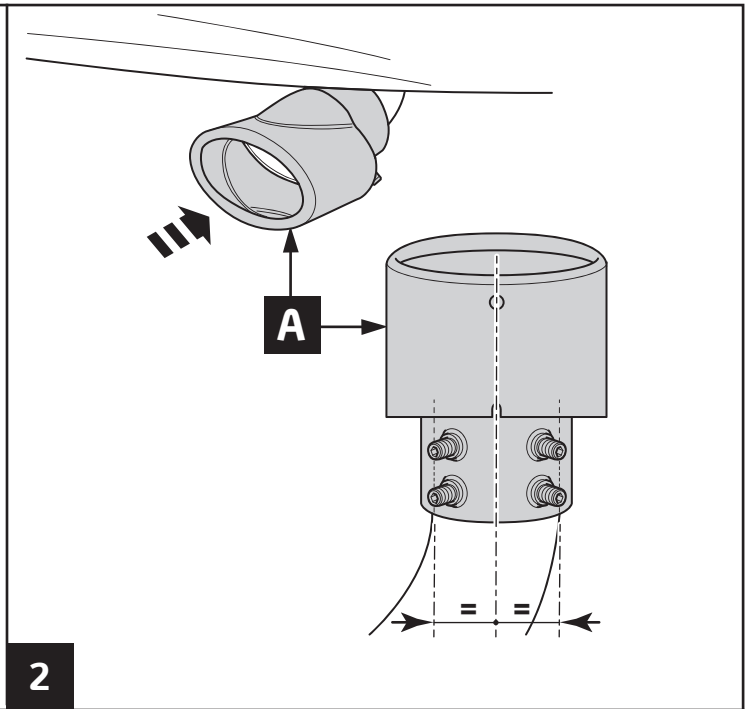
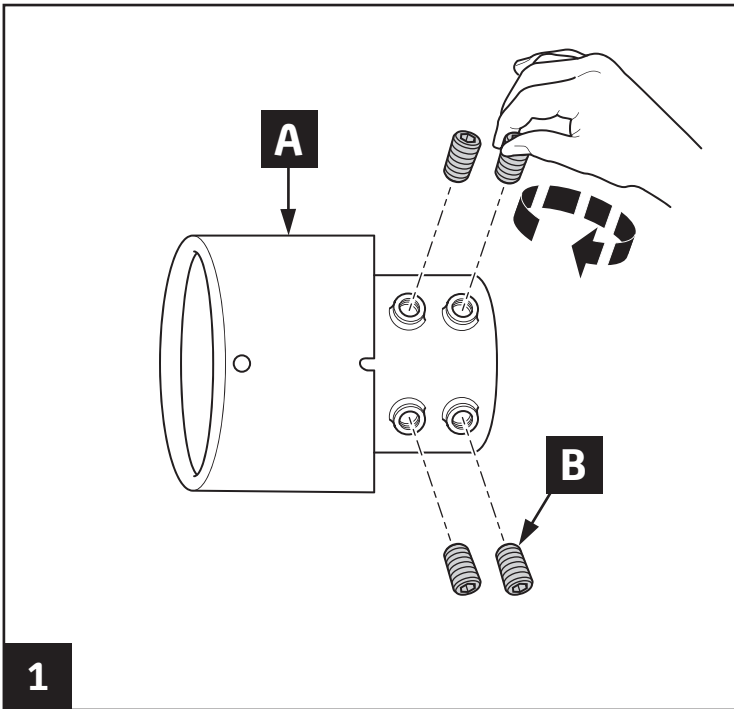
Part number: PZ467-E9492-00 / PZ467-E9493-00
PZ467-E9494-00 / PZ467-E9495-00

Manual reference number: AIM 002 587-1

Revision record

Rev. No.	Date	Page	Picture	Update	New	Deleted steps
1	26/03/2015	all	all		X	

 <p>A</p>	<p>PZ467-E9492-00 1ND-TV 1.4L Diesel</p> <p>1x</p>	 <p>M8x18mm</p> <p>B 4x</p>
 <p>A</p>	<p>PZ467-E9493-00 1ZR-FAE 1.6L Petrol</p> <hr/> <p>PZ467-E9494-00 1WW 1.6L Diesel</p> <p>1x</p>	 <p>M8x14mm 4x</p> <hr/>  <p>M8x10mm 4x</p> <p>B</p>
 <p>A</p>	<p>PZ467-E9495-00 2ZR-FXE 1.8L Hybrid</p> <p>1x</p>	 <p>M8x18mm</p> <p>B 4x</p>
 <p>4 mm</p> 		 <p>thread locking adhesive loctite 2701 or comparable</p>



CHECK SHEET



TOYOTA

Model / Year Auris 2012/10, 2015/05

Exhaust pipe finisher

ALWAYS A BETTER WAY

P/N = OK

X = 56 mm --> PZ467-E9492-00	<input type="checkbox"/>	X = 48 mm --> PZ467-E9494-00	<input type="checkbox"/>
1ND-TV 1.4L Diesel		1WW 1.6L Diesel	
X = 46 mm --> PZ467-E9493-00	<input type="checkbox"/>	X = 55 mm --> PZ467-E9495-00	<input type="checkbox"/>
1ZR-FAE 1.6L Petrol		2ZR-FXE 1.8L Hybrid	

1 **locktite 2701 (4x)**

2

Serial Number

3Nm (4x)

= OK

Installation Date:

... / ... / ...

Technician Name & Signature:

Stamp: