

# Corolla Cross

## Front & Rear Set Mudflaps

### Installation Instructions

Model year: As from 2022/07

Vehicle code: \*\*\*\*1\*\*-KHX\*\*W

Part number: PW389-16000

Manual reference number: AIM 005 183-1

Latest Version  
SCAN HERE



# Revision Record


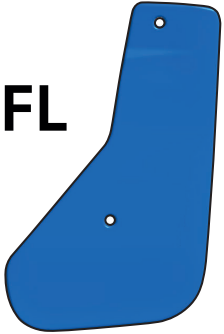

| Rev. No. | Date     | Page | Step | Remarks                  |
|----------|----------|------|------|--------------------------|
| △1       | 02.06.23 | All  |      | Updated to new standards |
|          |          |      |      |                          |
|          |          |      |      |                          |
|          |          |      |      |                          |
|          |          |      |      |                          |
|          |          |      |      |                          |
|          |          |      |      |                          |

**KIT CONTENT**

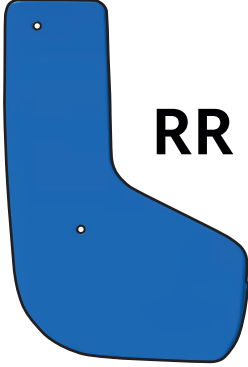
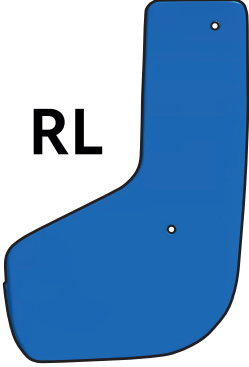
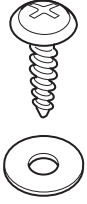

**PW389-16000**

**PW389-16001**

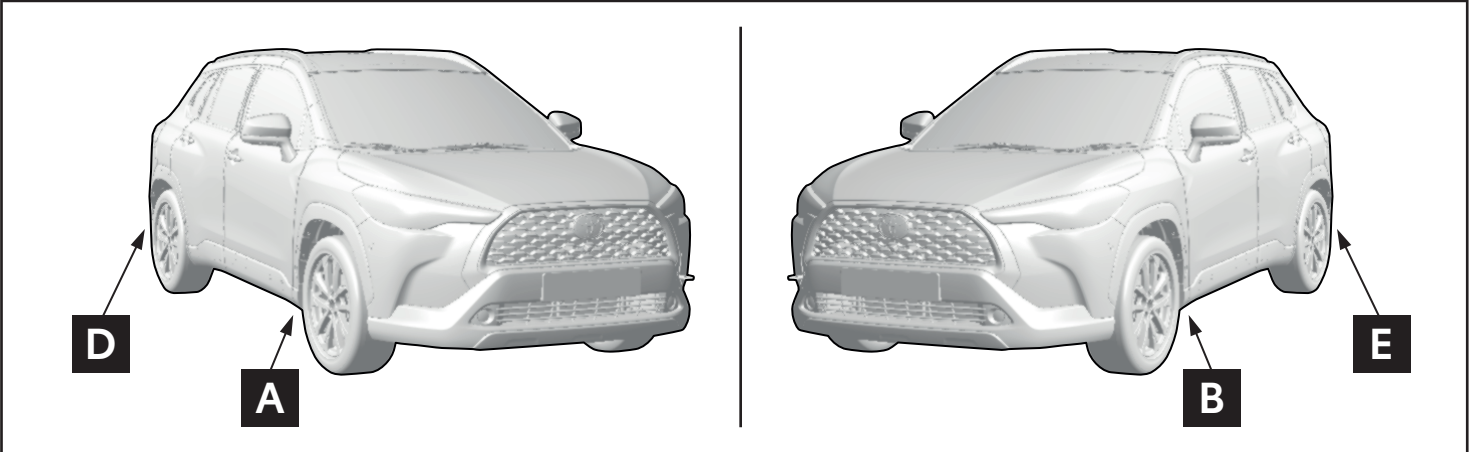


|   |   |   |
|---|---|---|
|  <p><b>A</b> <b>FR</b></p> <p>1x</p> |  <p><b>B</b> <b>FL</b></p> <p>1x</p> |  <p><b>C</b></p> <p>6x</p> |
|---|---|---|

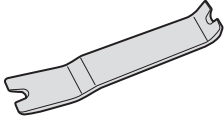
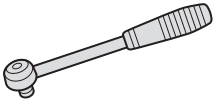

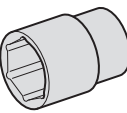

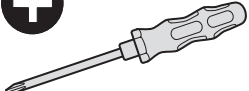

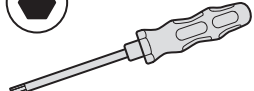
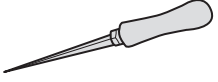
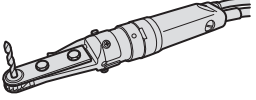

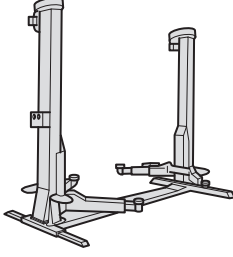
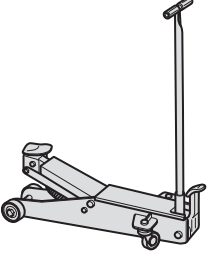
**PW389-16002**

|  |  |   |   |
|--|--|---|---|
|  <p><b>D</b> <b>RR</b></p> <p>1x</p> |  <p><b>E</b> <b>RL</b></p> <p>1x</p> |  <p><b>F</b></p> <p>4x</p> |  <p><b>G</b></p> <p>4x</p> |
|--|--|---|---|




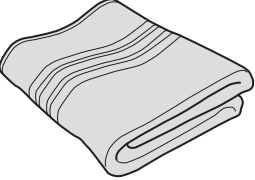

**GENERAL**



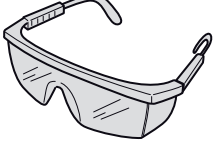
## TOOLS

|  |   |  |  |   |
|--|---|--|--|---|
|  |  | <br><br><b>10 mm</b> | <b>PH2</b><br><br> | <b>4 mm</b><br><br> |
|  |  | <b>COBALT DRILL BIT</b><br><br><b>Ø 3 mm</b><br><b>Ø 5 mm</b>   |    |    |

## CONSUMABLES

|  |  |  |  |  |
|--|--|--|--|--|
| <b>CLEANER / DEGREASER SPRAY</b>   |  |  |  |  |
| <br><b>1</b> | <br><b>2</b> |  |  |  |
|              | <b>AIM 003 516-*</b>   |  |  |  |

## PERSONAL PROTECTION EQUIPMENT

|  |  |  |  |  |
|--|--|--|--|--|
|  |  |  |  |  |
|--|--|--|--|--|

For Symbols  
Explanation  
SCAN HERE



# GENERAL



Info

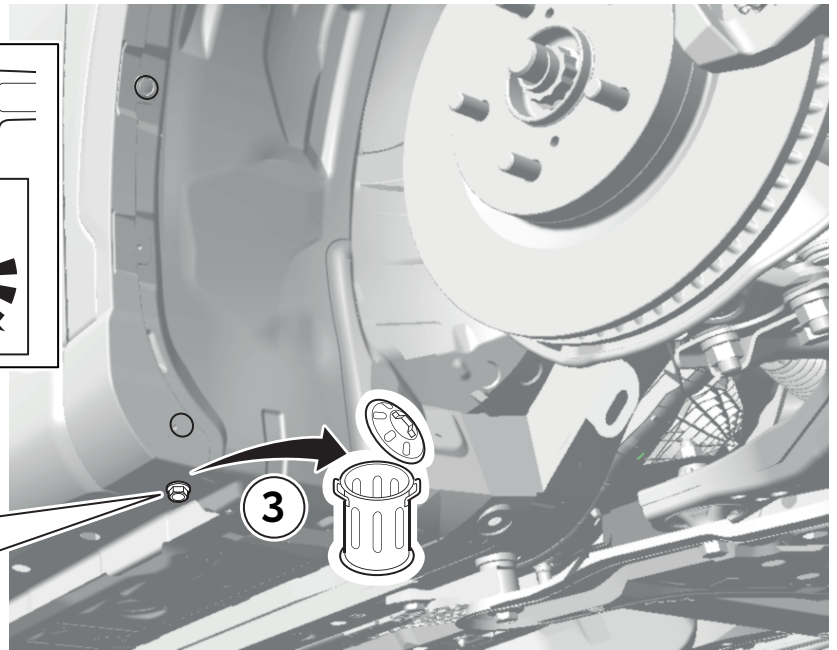
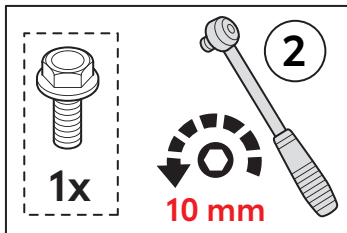
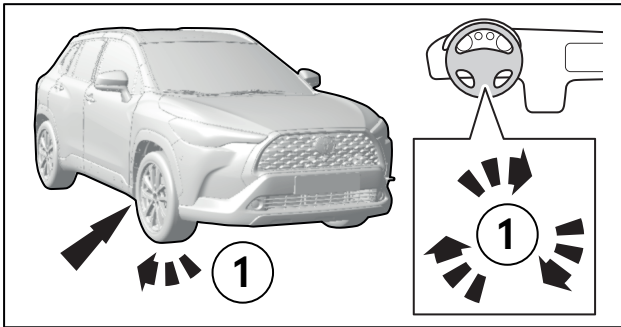


Material Safety Data Sheet

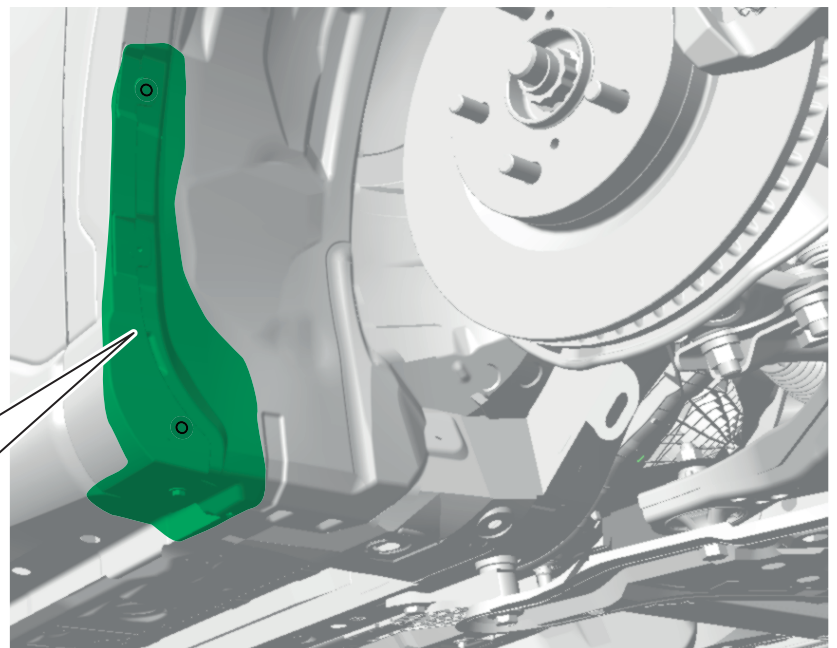
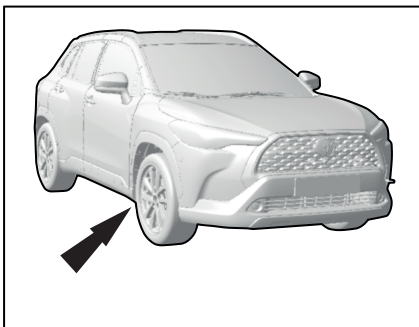


Technical Data Sheet

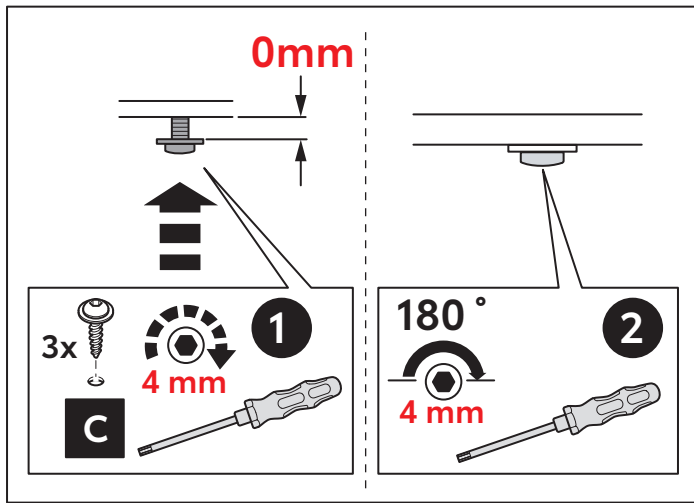
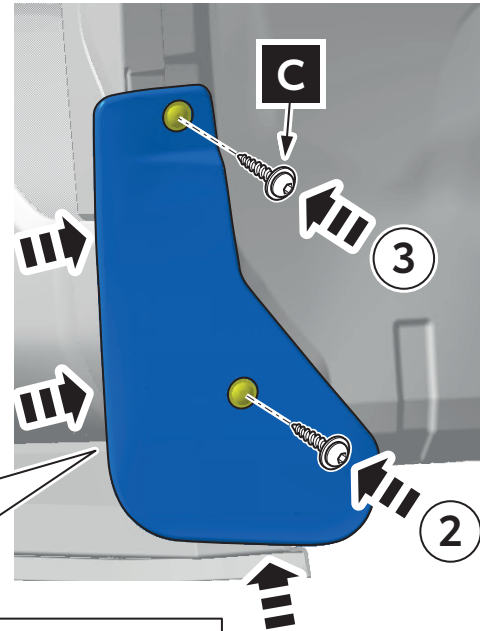
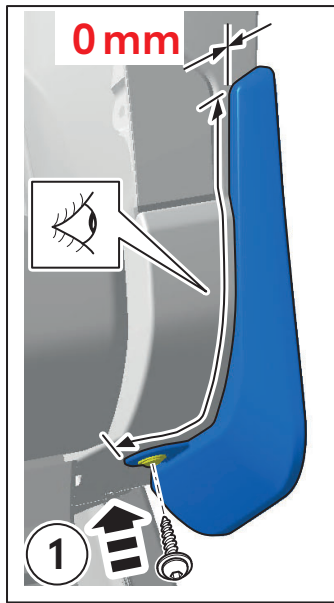
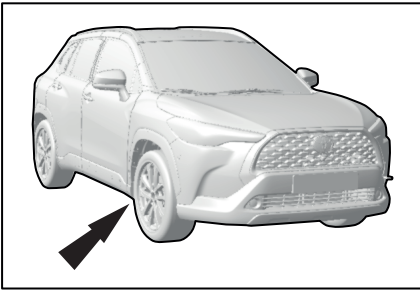
## INSTALLATION INSTRUCTIONS - FRONT SET



1



2

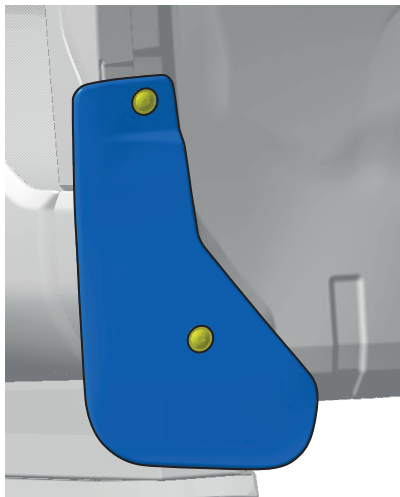


3

GENERAL

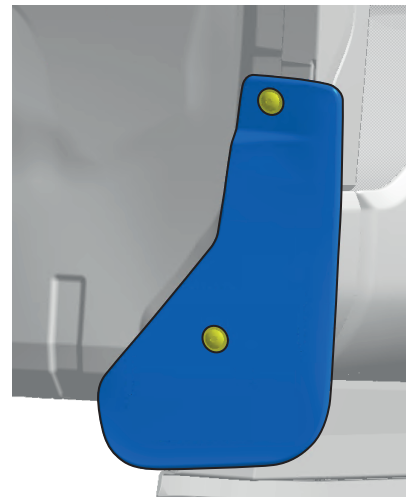


Info



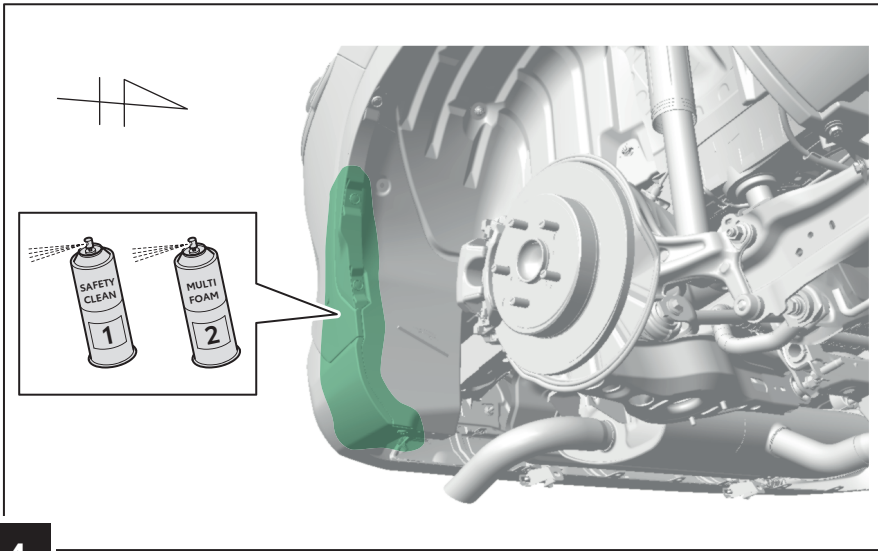
RHS

=

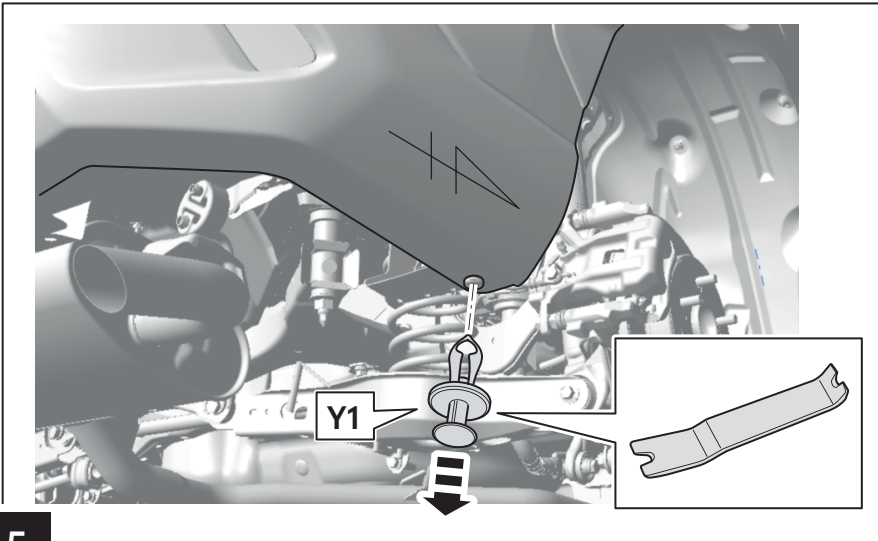


LHS

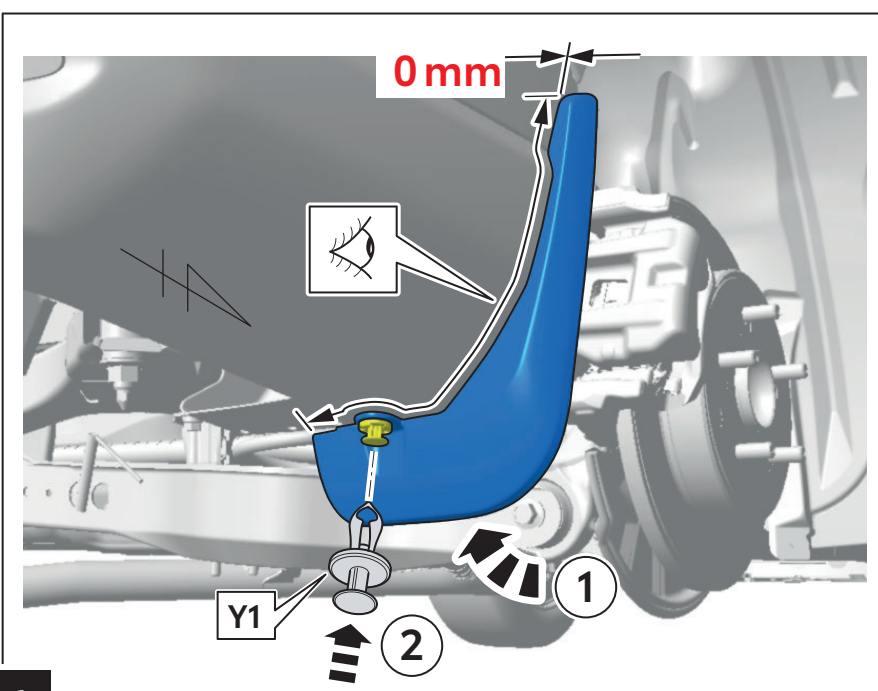
# INSTALLATION INSTRUCTIONS - REAR SET



4

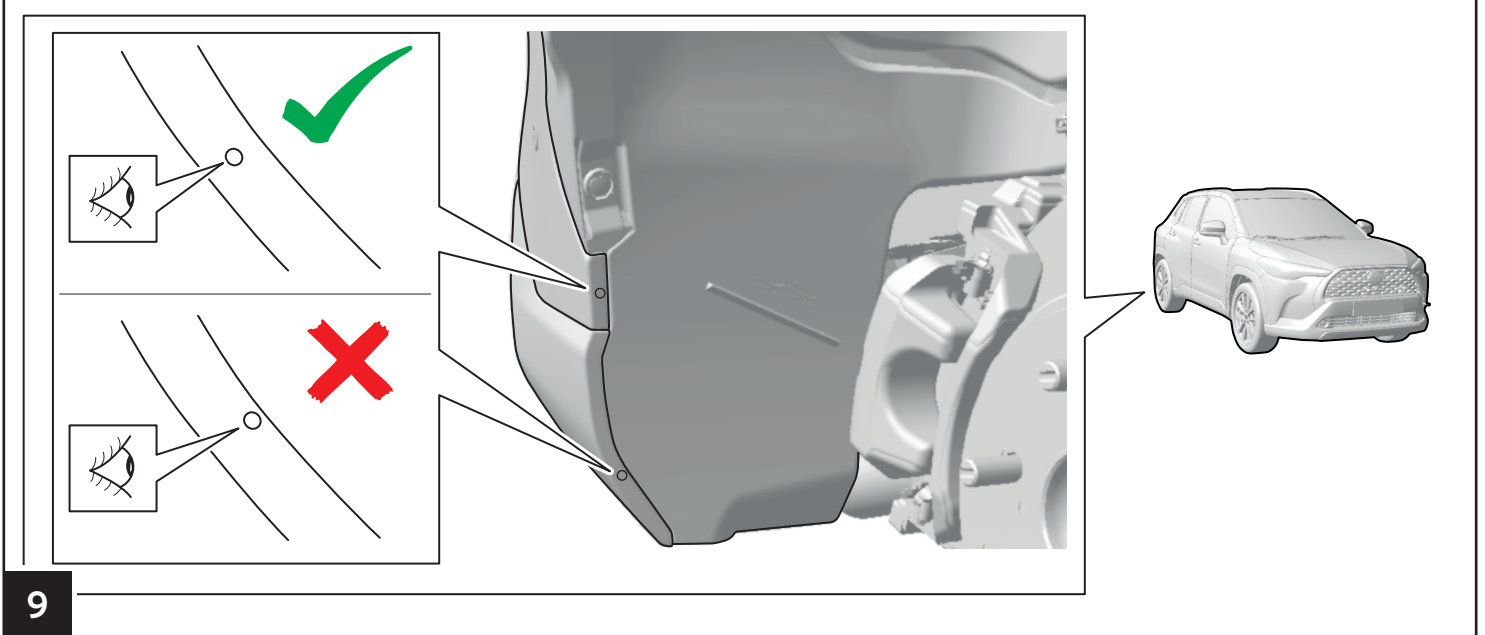
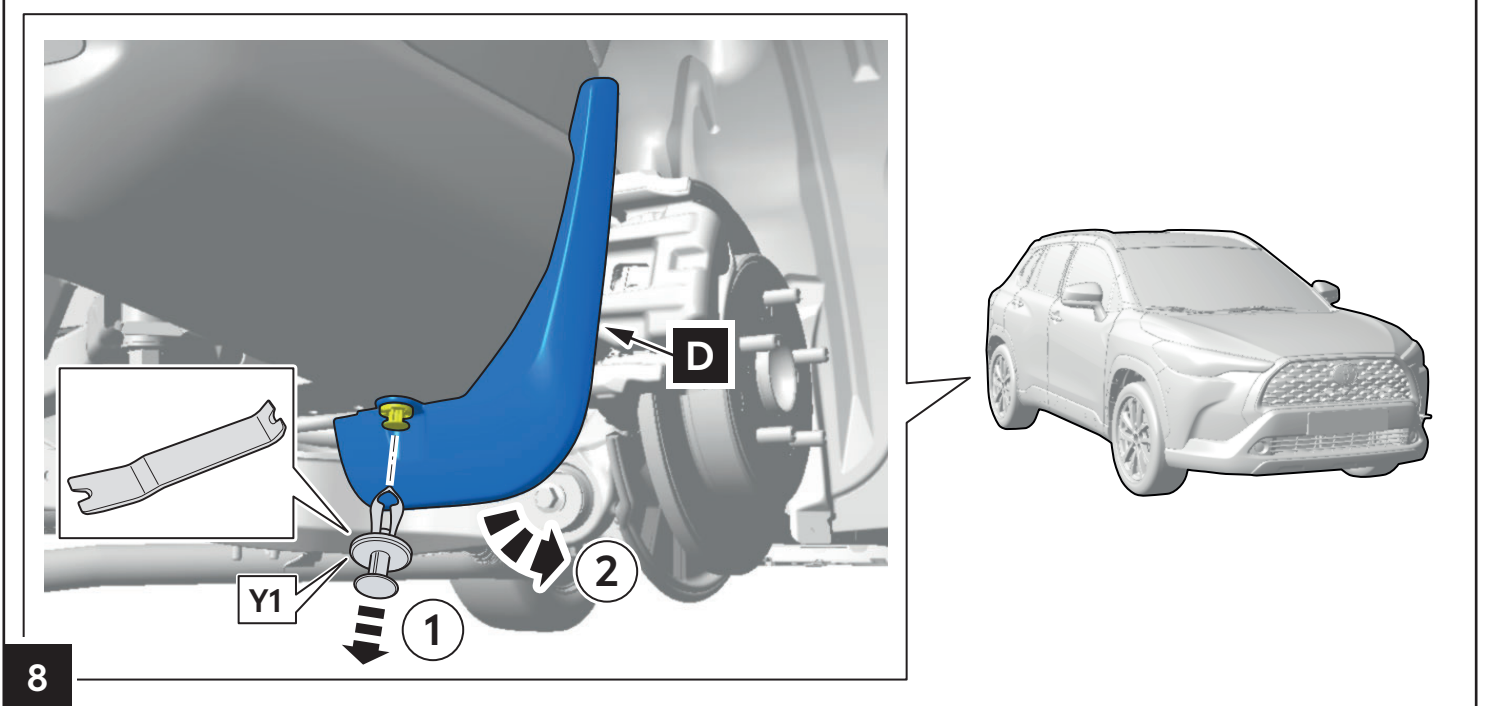
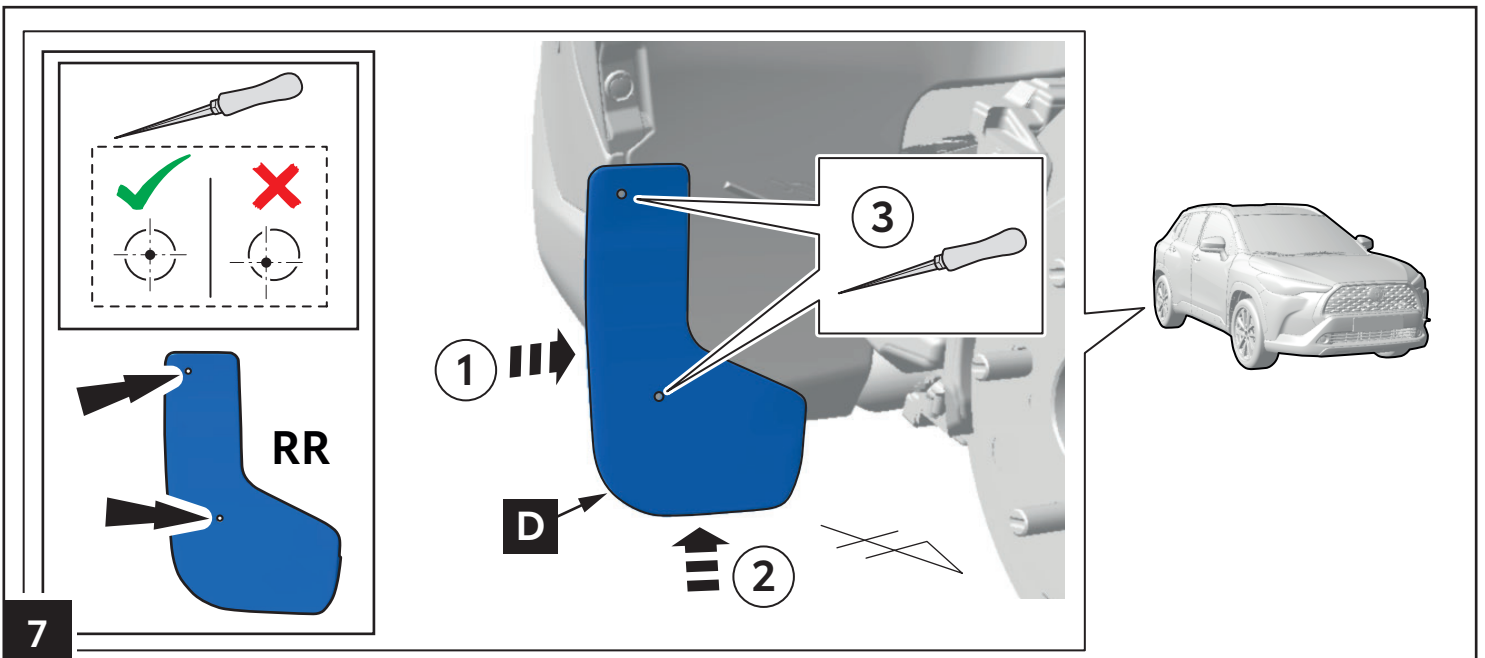


5

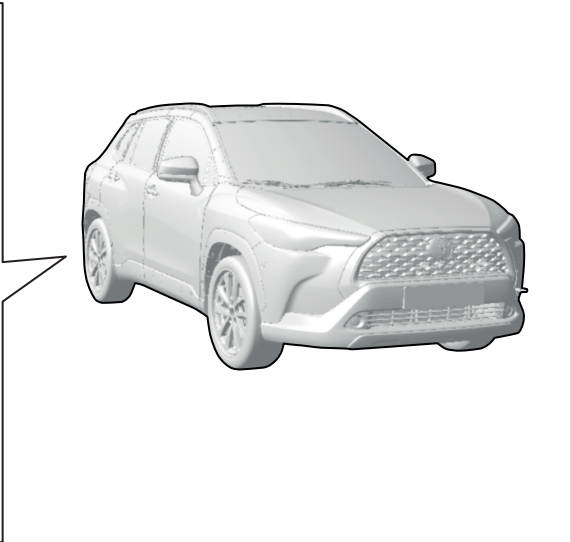
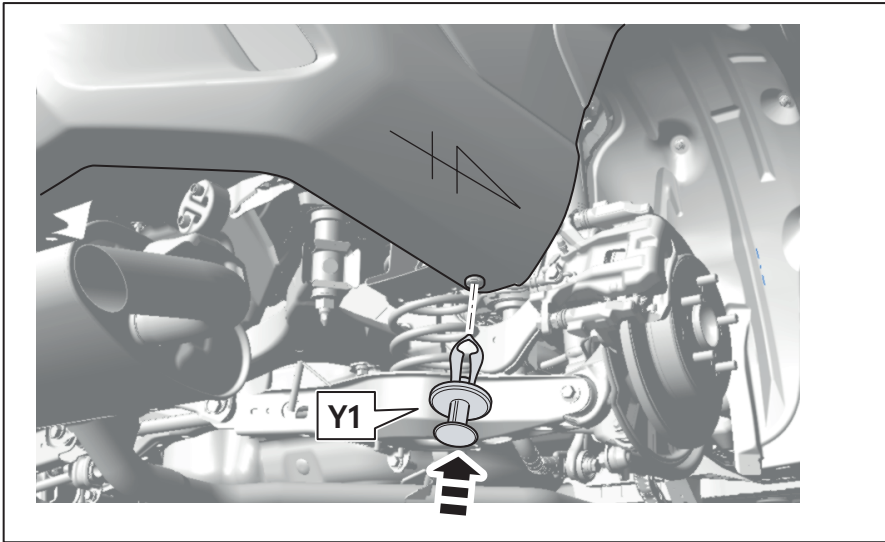


6

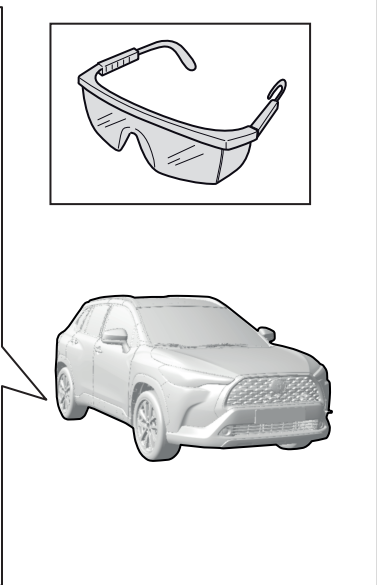
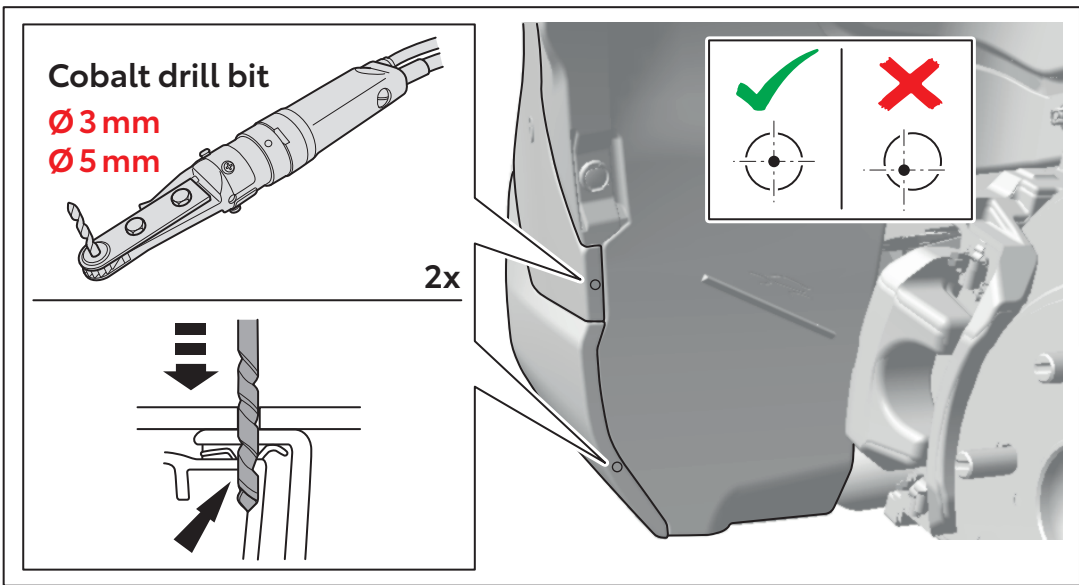




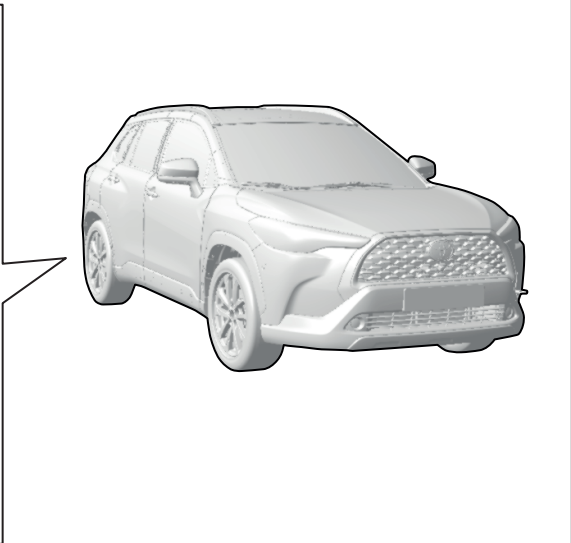
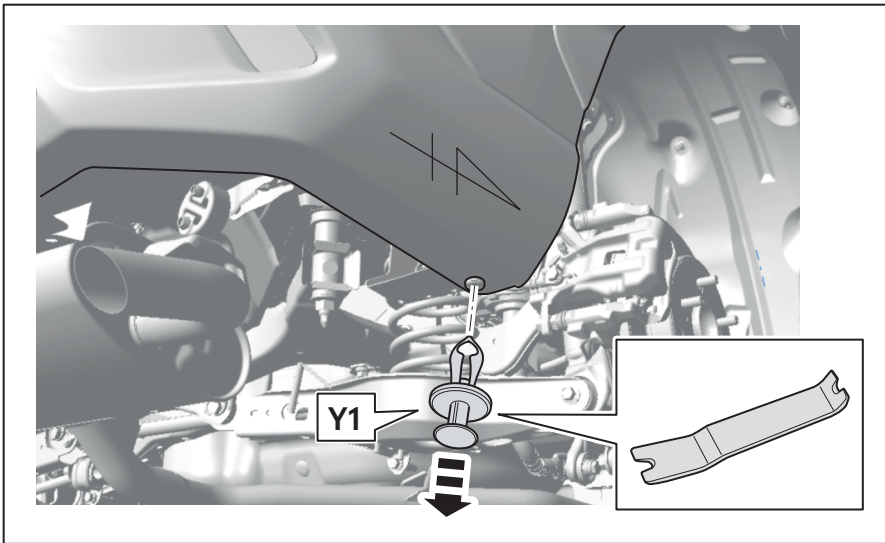




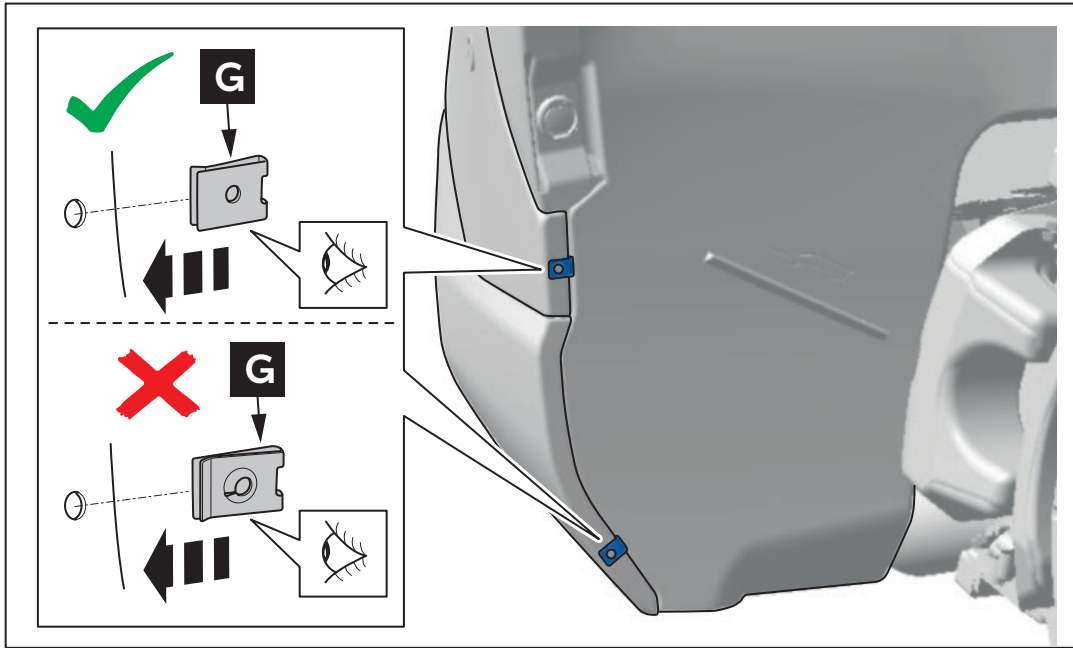
10



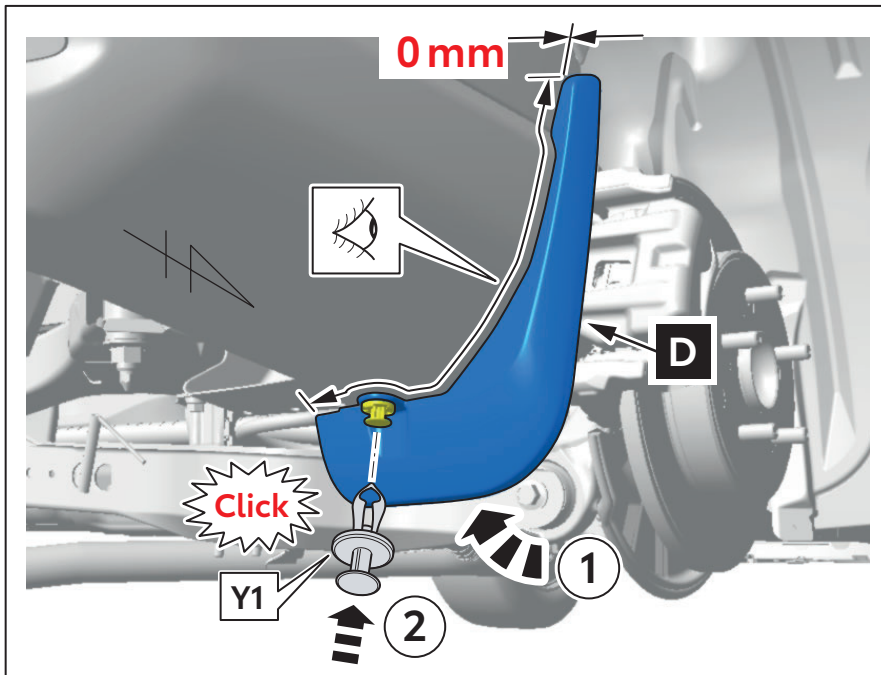
11



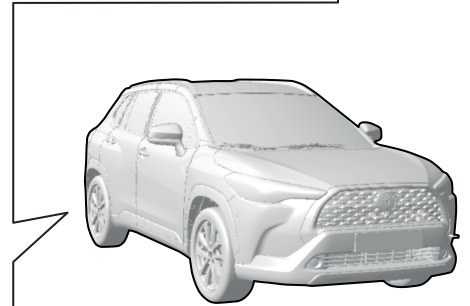
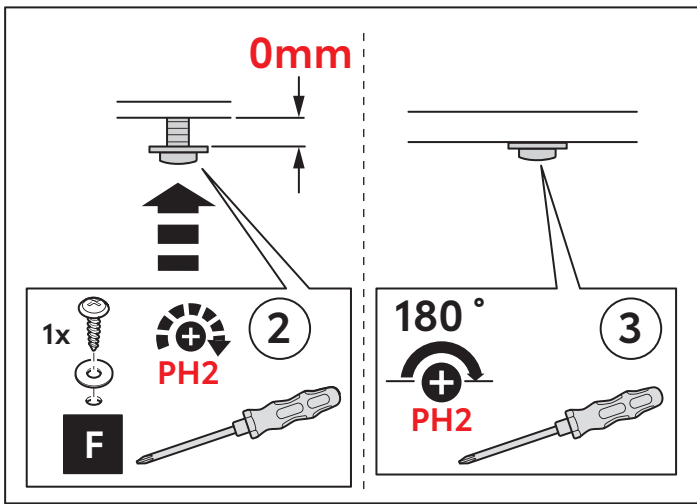
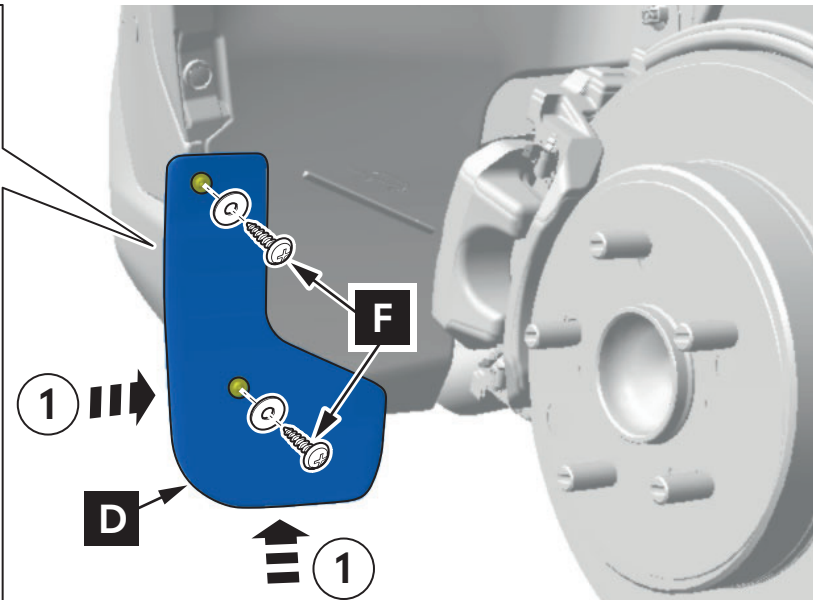
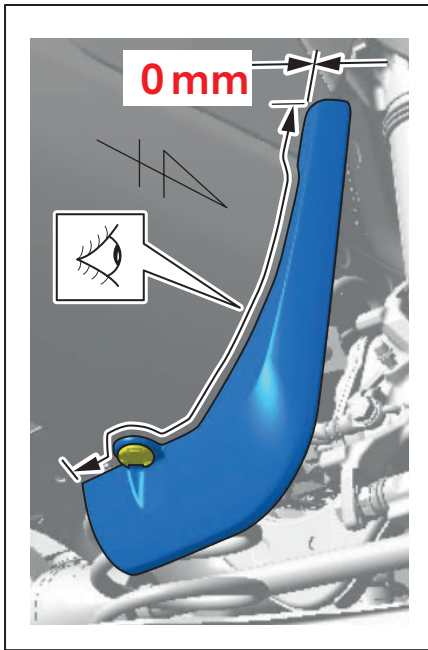
12



13

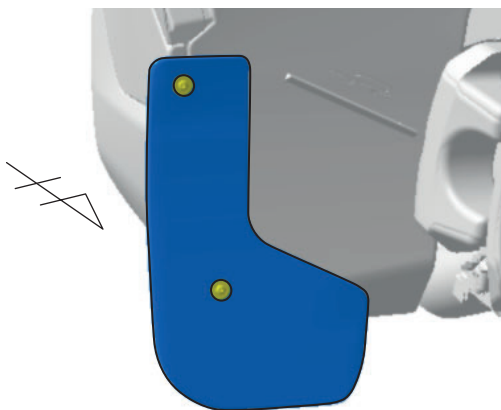


14

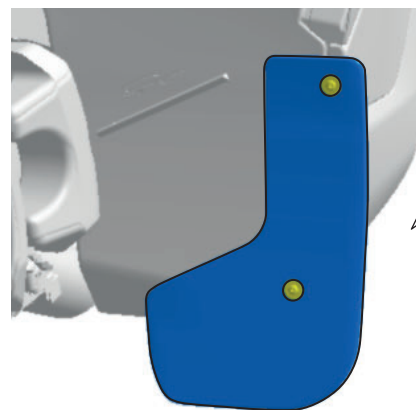


15

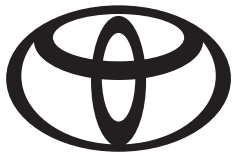
GENERAL



RHS



LHS



# CHECK SHEET

Page 1 of 2



Model/Year **Corolla Cross**  
As from 2022/07

Front & rear mudflaps

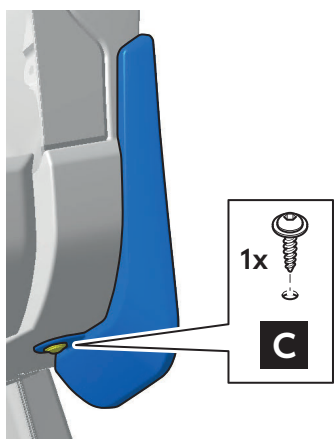
VINn°


## DURING INSTALLATION

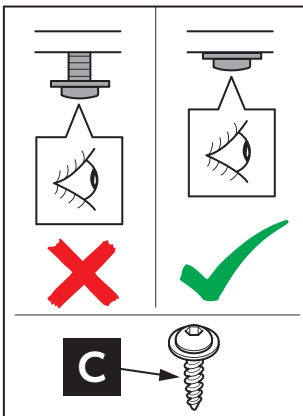
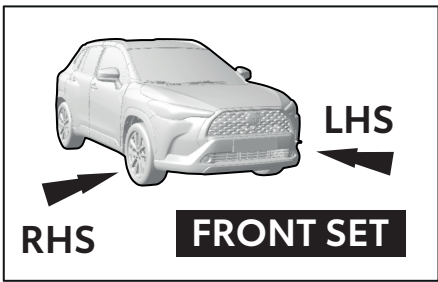
**1**

 = OK  
  
 P/N = OK 

**2**



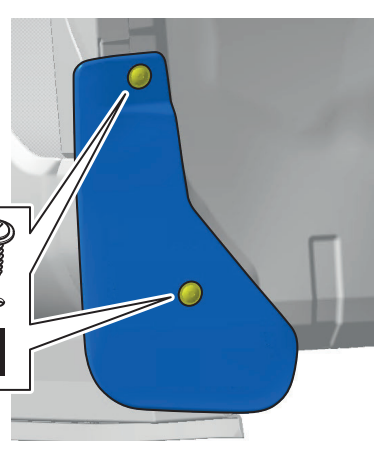
1x  **C**





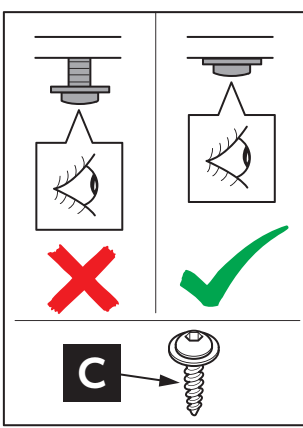
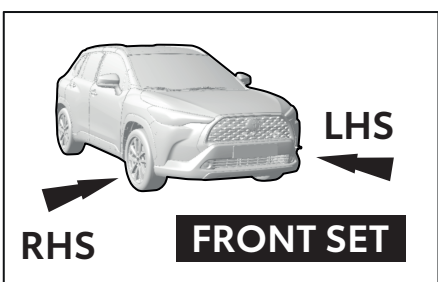
**FRONT SET**

LHS  RHS

**3**



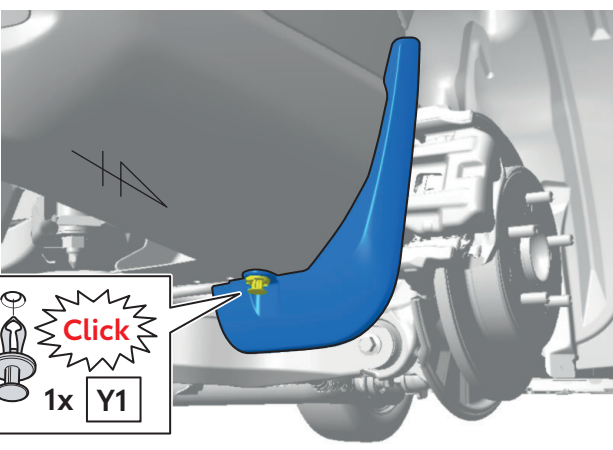
2x  **C**





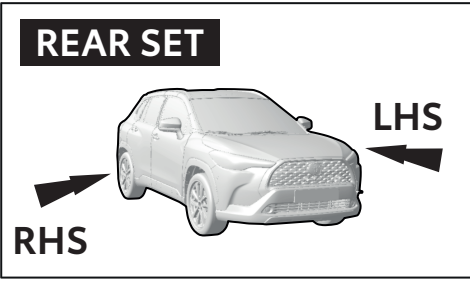
**FRONT SET**

LHS  RHS

**4**



 **Click**  
1x **Y1**



**REAR SET**

LHS  RHS

## DURING INSTALLATION

**5**

2x  
F

REAR SET

RHS LHS

LHS RHS

## AFTER INSTALLATION

**1**

0mm

= OK

FRONT SET

RHS LHS

LHS RHS

**2**

0mm

= OK

REAR SET

RHS LHS

LHS RHS

**3**

= OK

Installation Date:

.. / .. / .....

Technician Name & Signature:

Stamp: