

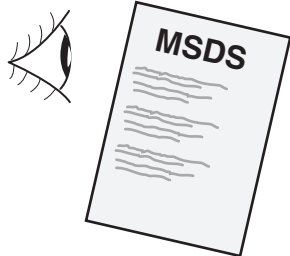
Dog Guard & Divider INSTALLATION INSTRUCTIONS NX

Model year	As from 2021/09	
Vehicle code	*AZ*2**-AW*L*W	
Part number	PW255-78000	Dog Guard
	PW255-78001	Divider

Revision Record

Rev. No.	Date	Page	Step	Remarks
△ ₁	19.04.2022	6, 8	5, 8	Detail updated.

INFORMATION



Material Safety Data Sheet



Technical Data Sheet

KIT CONTENT

PW255-78000



<p>A</p> <p>1x</p>	<p>B LHS</p> <p>1x</p>	<p>C RHS</p> <p>1x</p>
<p>F</p> <p>2x</p>	<p>D</p> <p>2x</p>	<p>E</p> <p>4x</p>
<p>F</p> <p>2x</p>	<p>G</p> <p>2x</p>	<p>H</p> <p>2x</p>

PW255-78001

<p>I</p> <p>1x</p>	<p>J</p> <p>1x</p>	<p>K</p> <p>2x</p>	<p>L</p> <p>2x</p>
---------------------------	---------------------------	---------------------------	---------------------------

CONSUMABLES



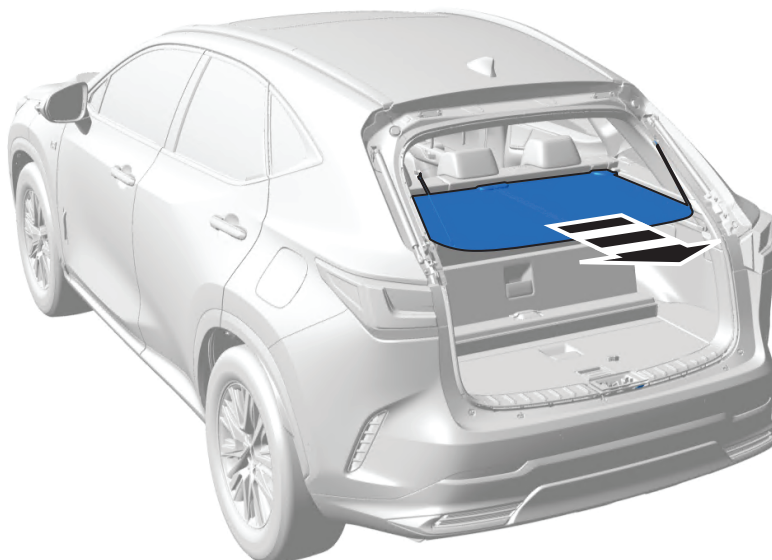
TOOLS



FITTING INSTRUCTIONS



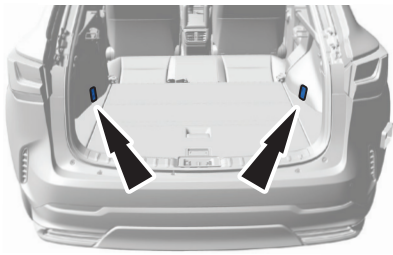
1



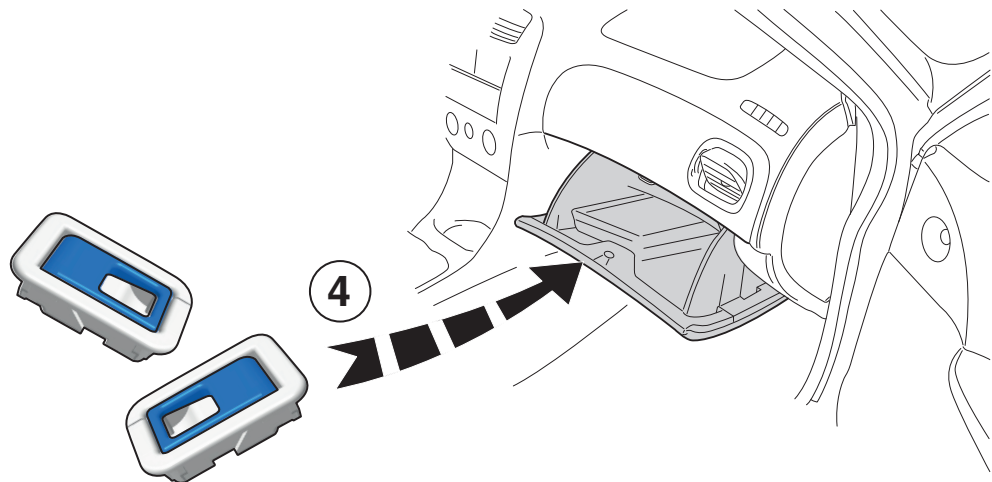
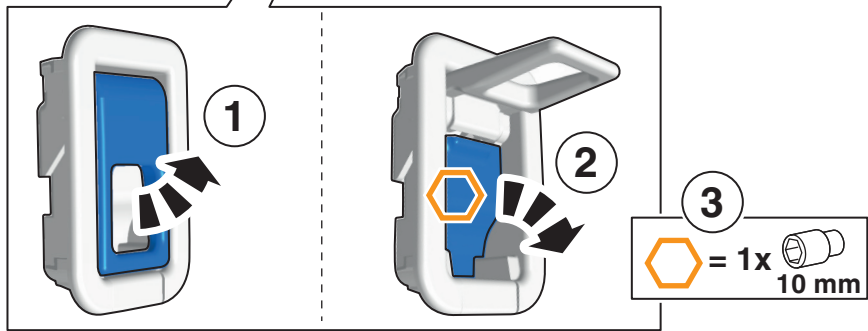
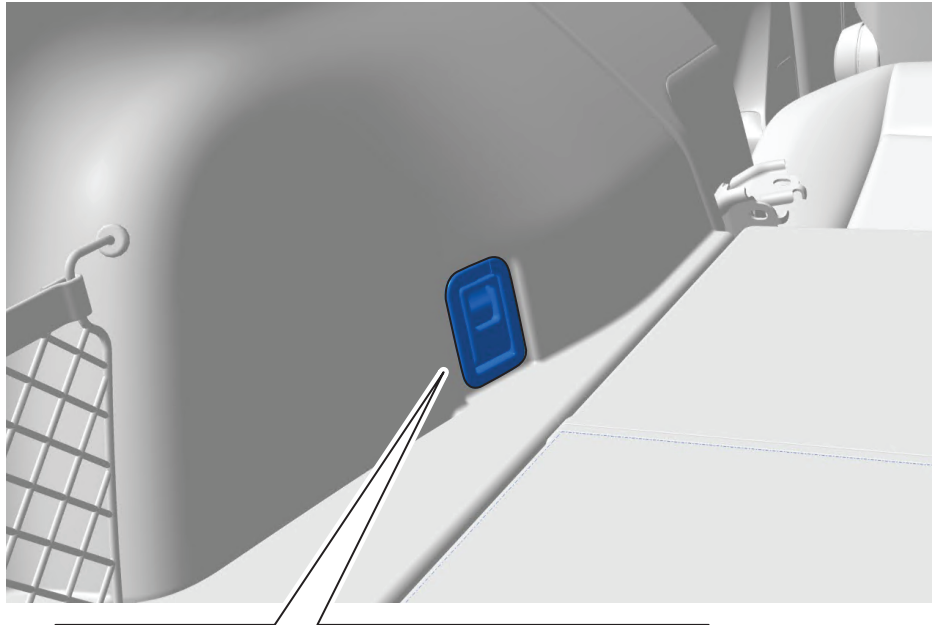
2



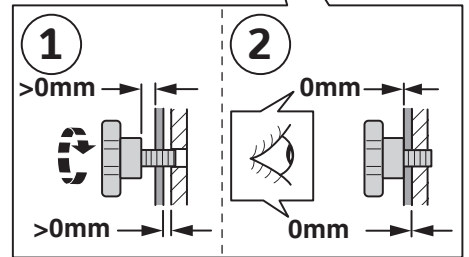
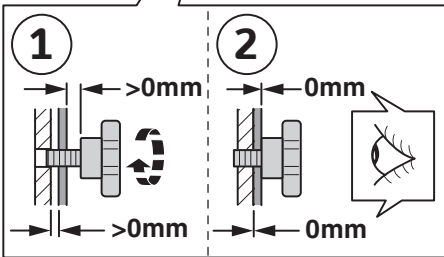
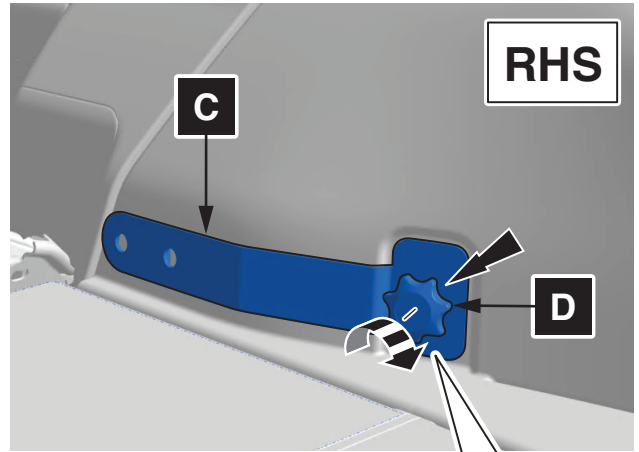
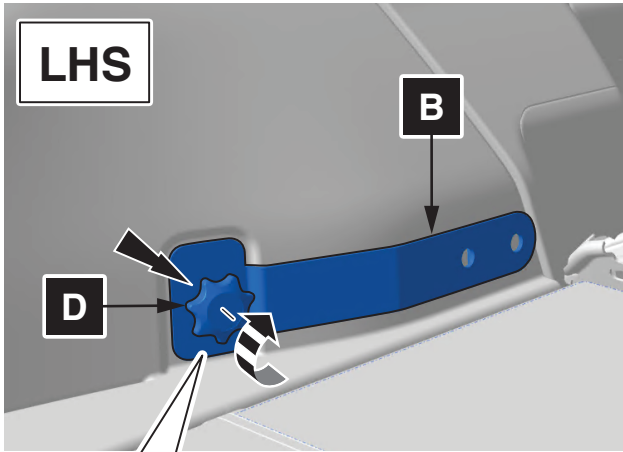
3



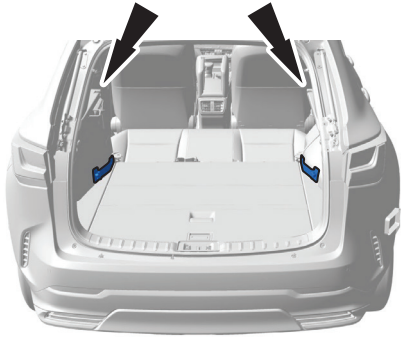
LHS = RHS



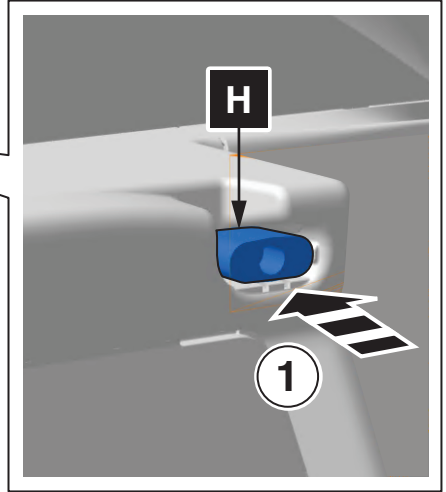
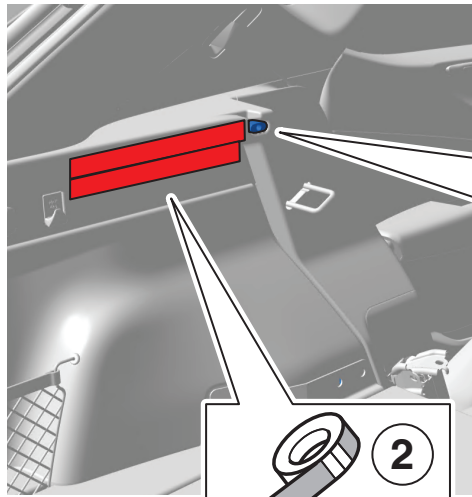
4



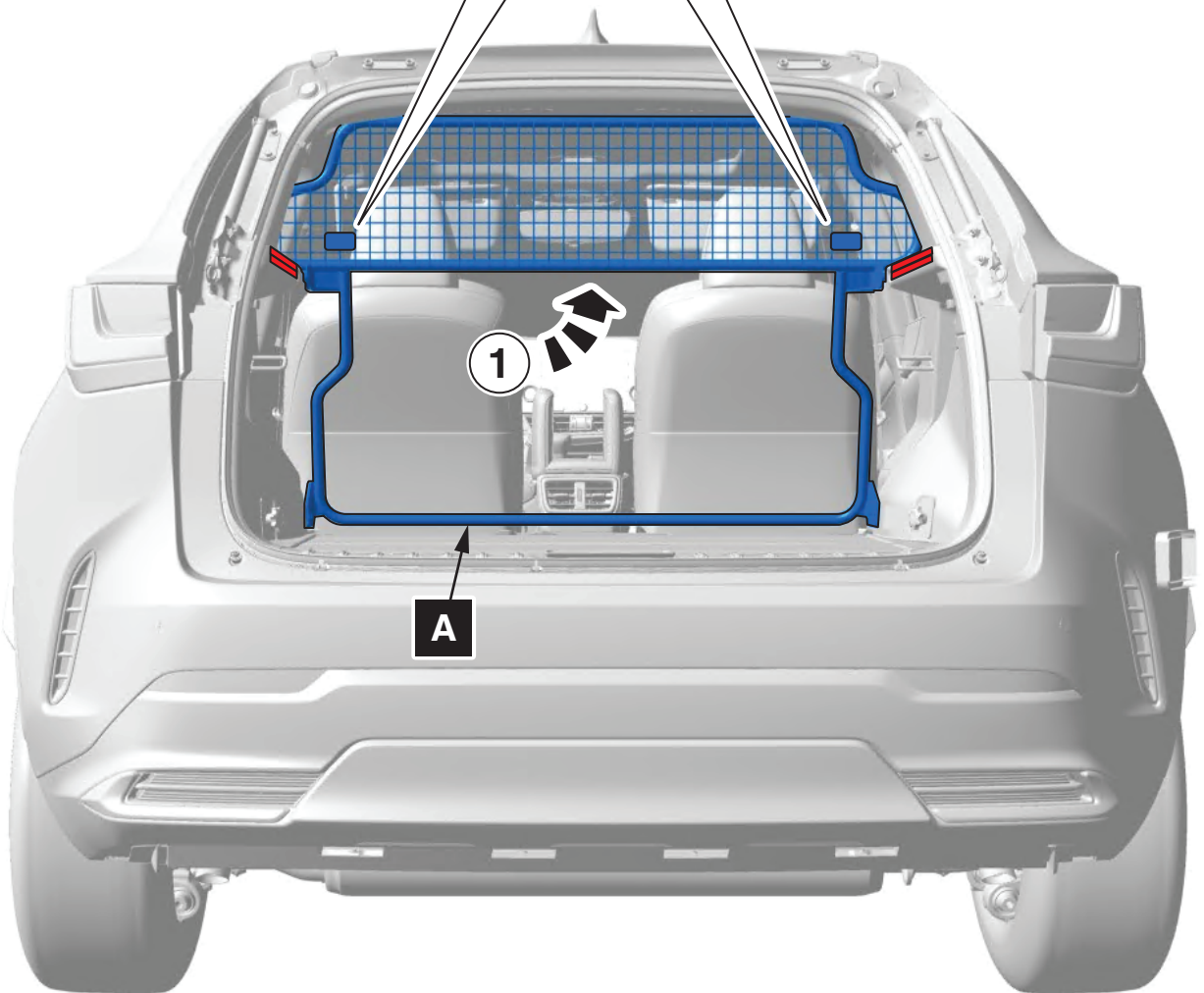
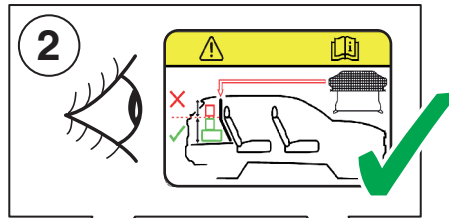
5



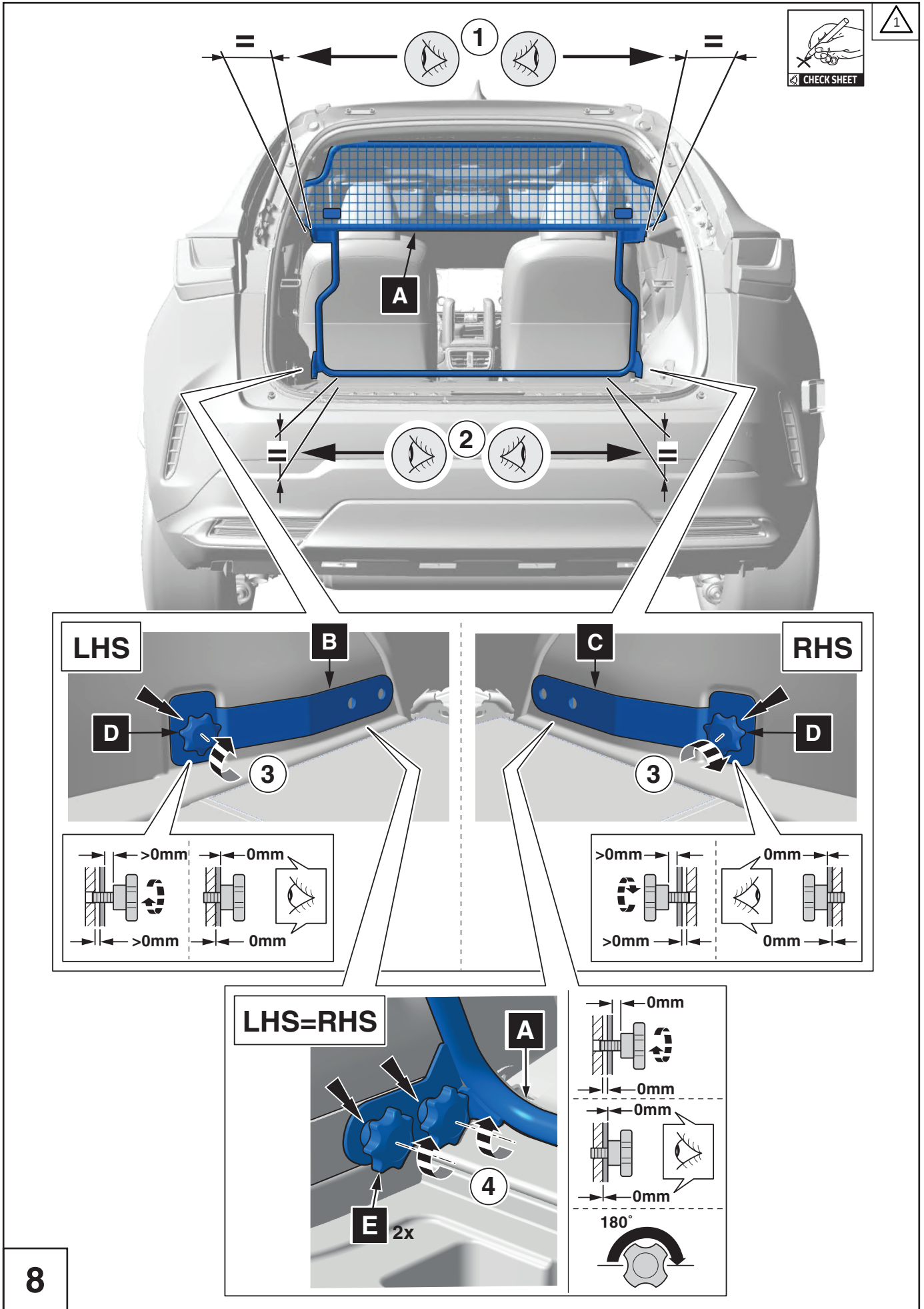
LHS = RHS



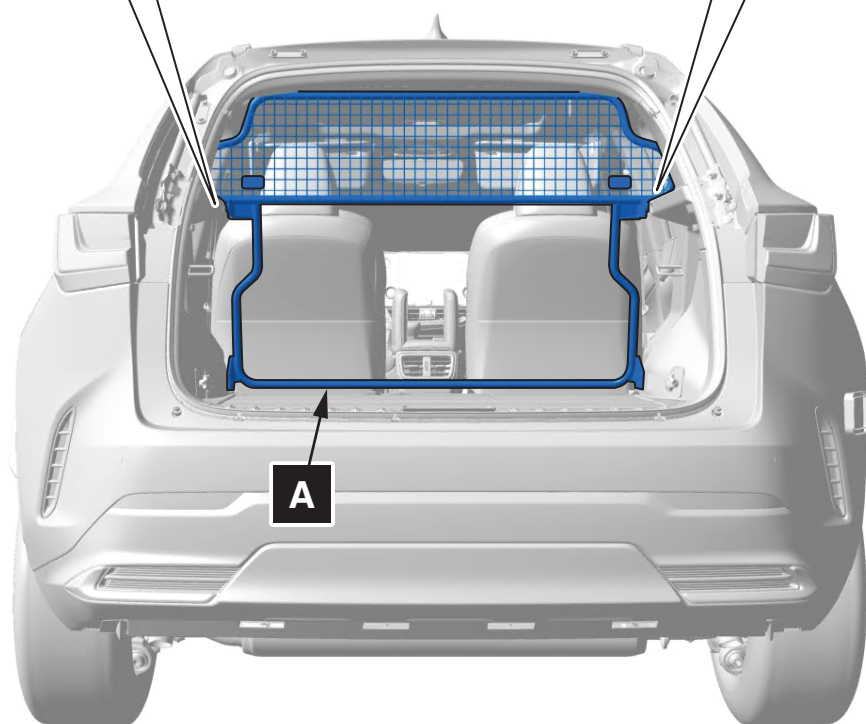
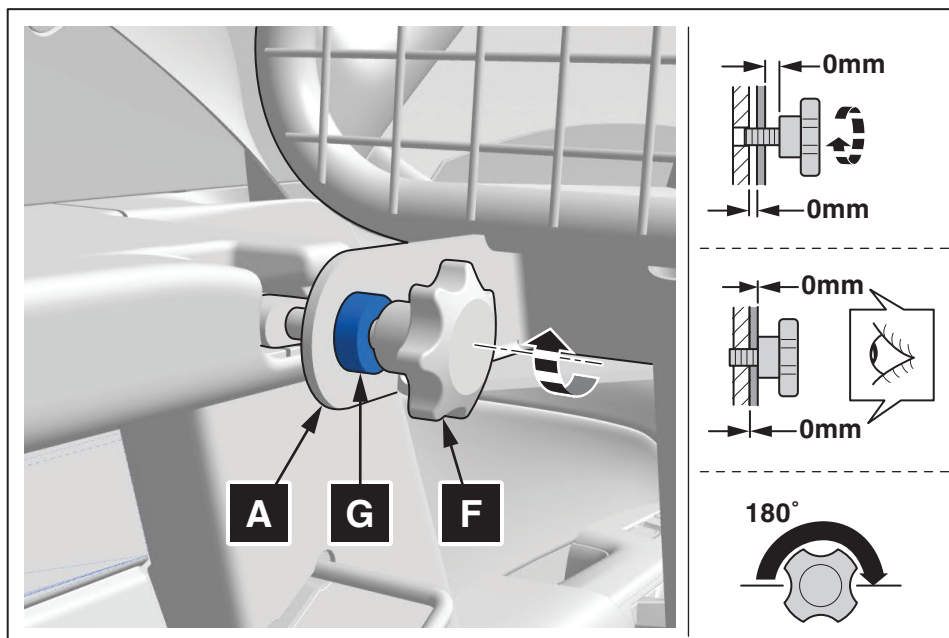
6



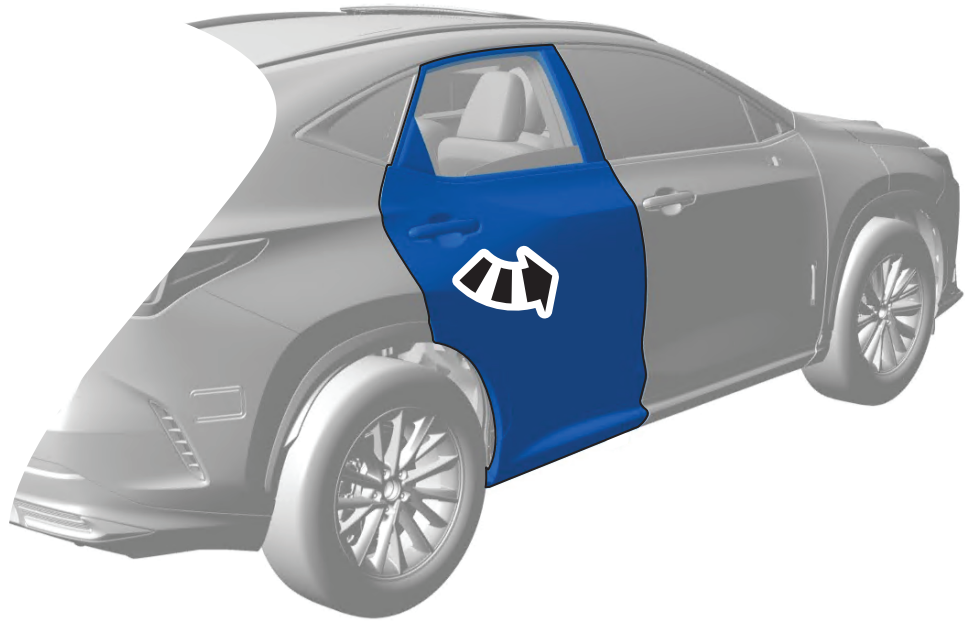
7



8



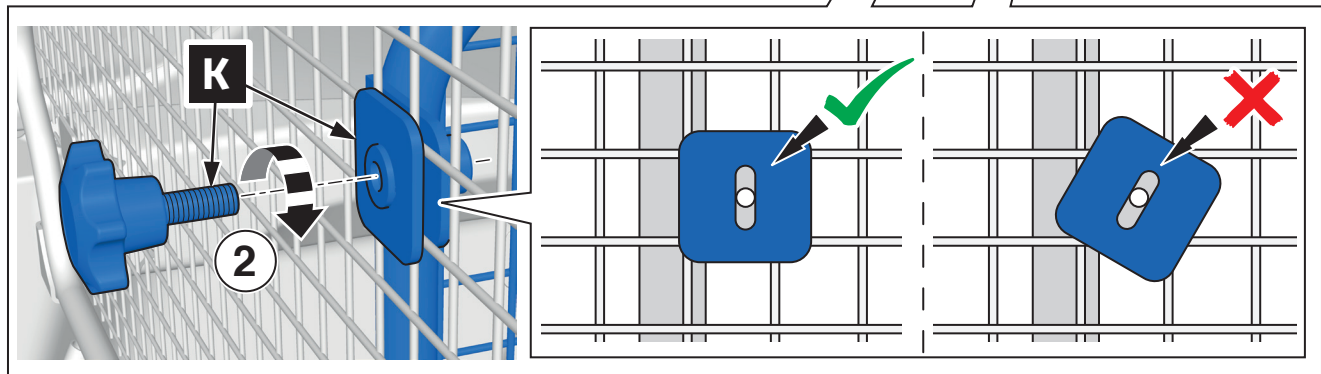
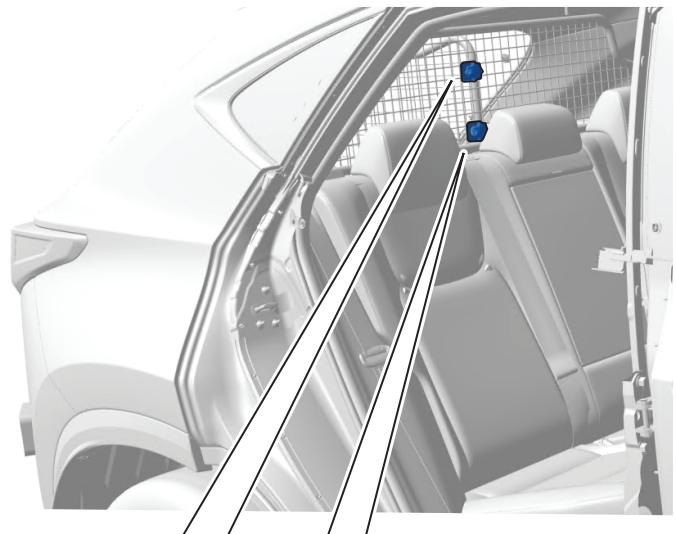
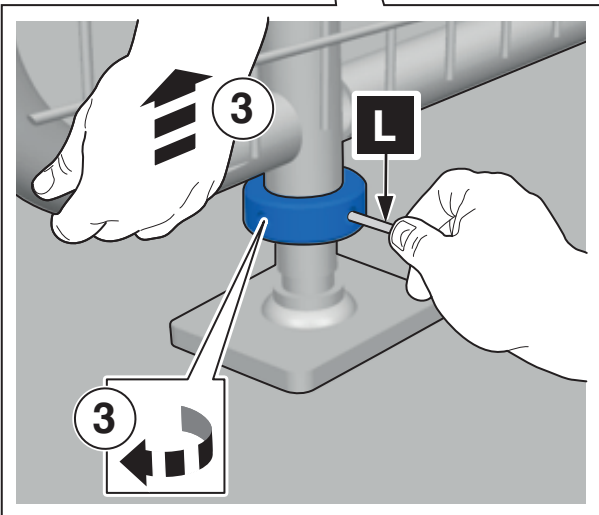
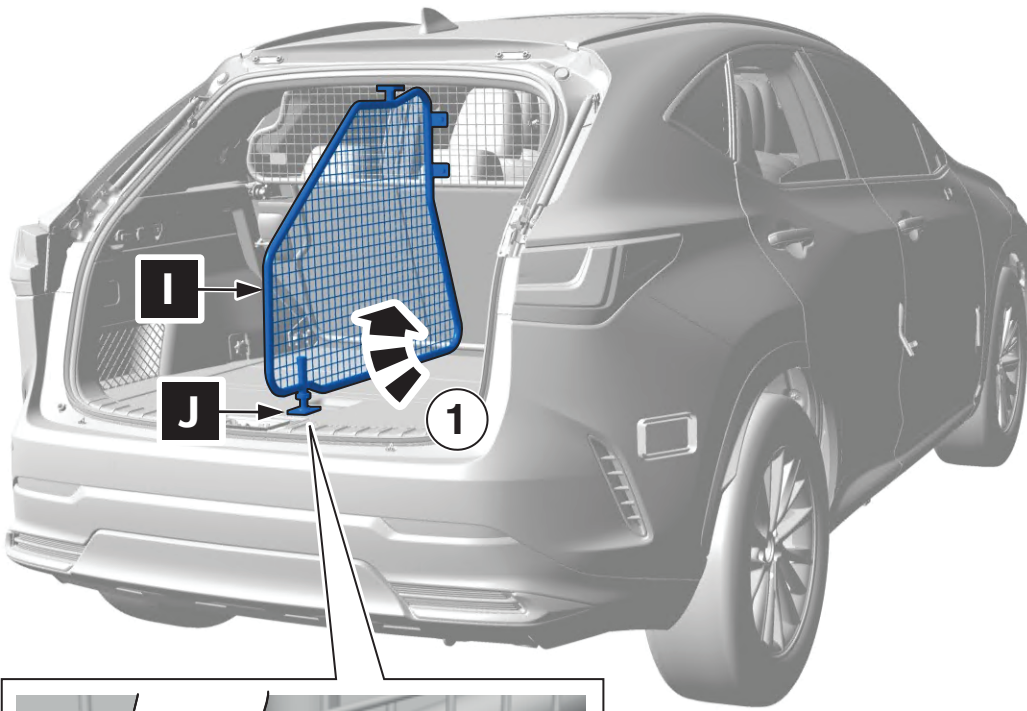
9



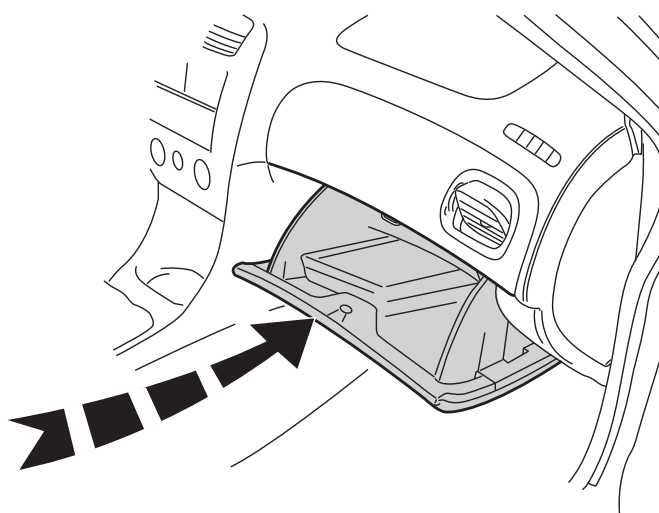
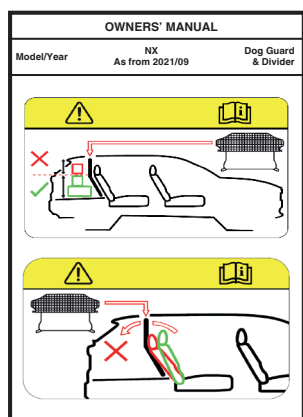
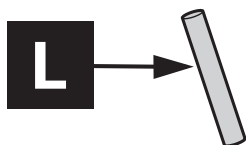
10



11



12

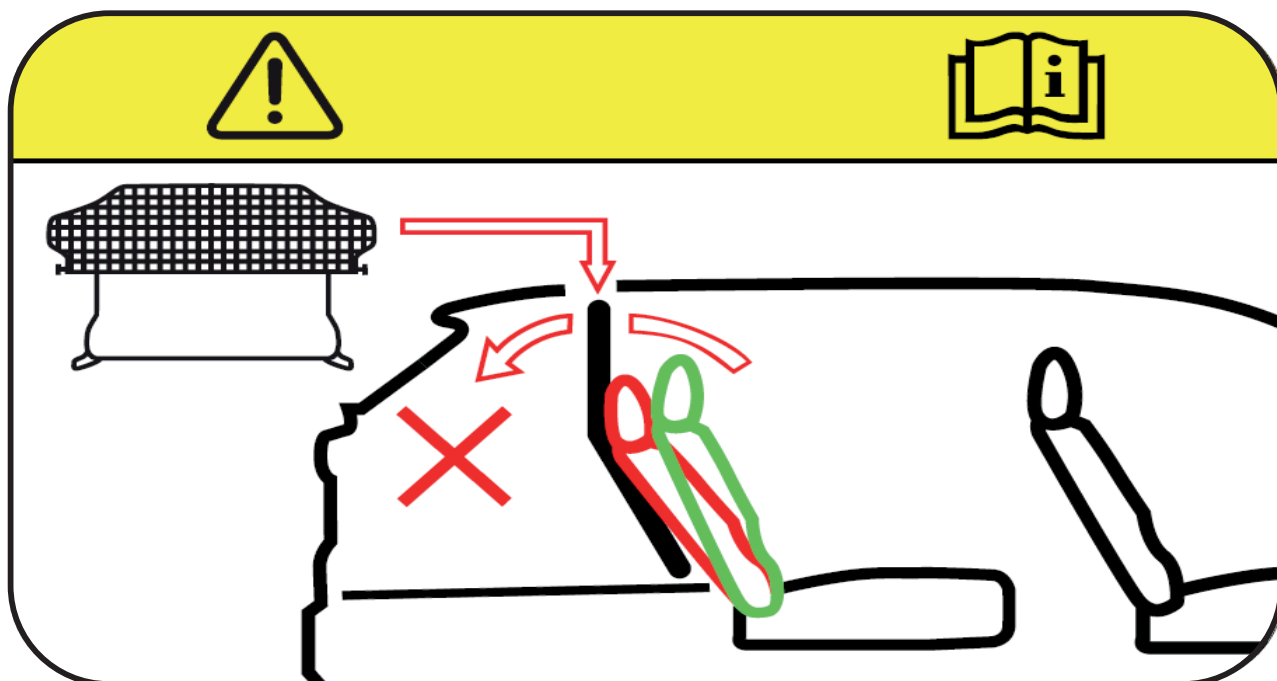
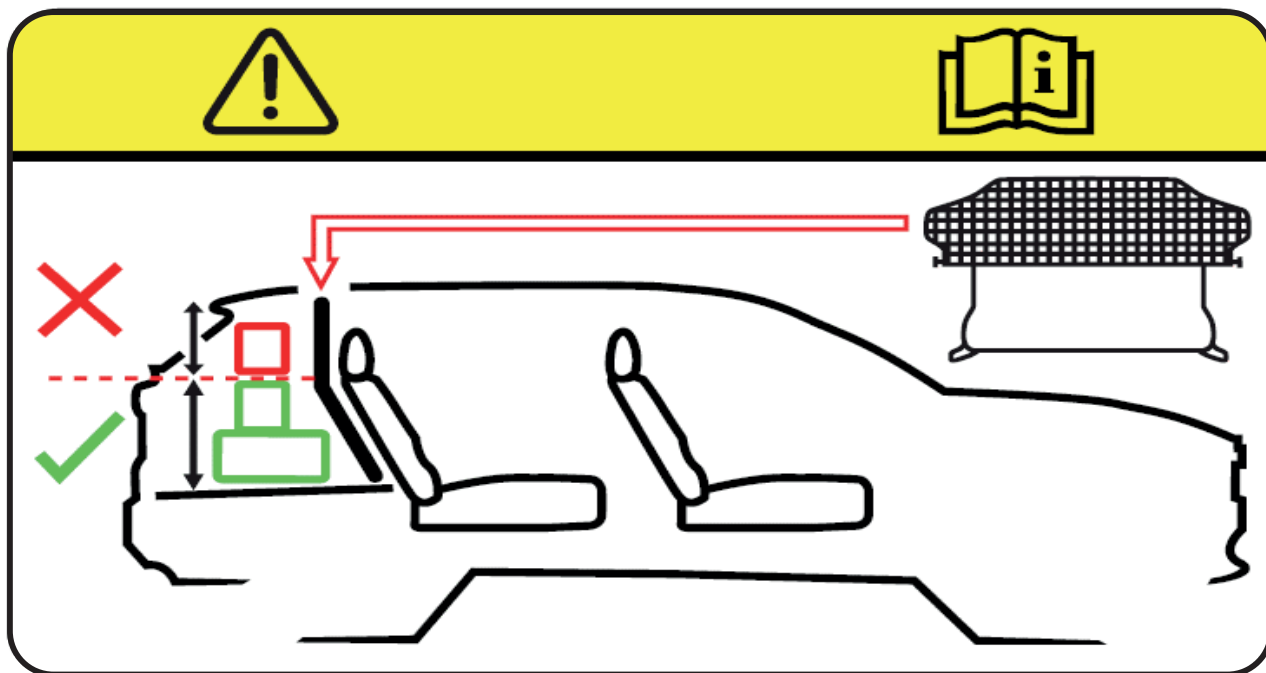


OWNERS' MANUAL

Model/Year

NX
As from 2021/09

Dog Guard
& Divider




CHECK SHEET

Model/Year
NX
As from 2021/09

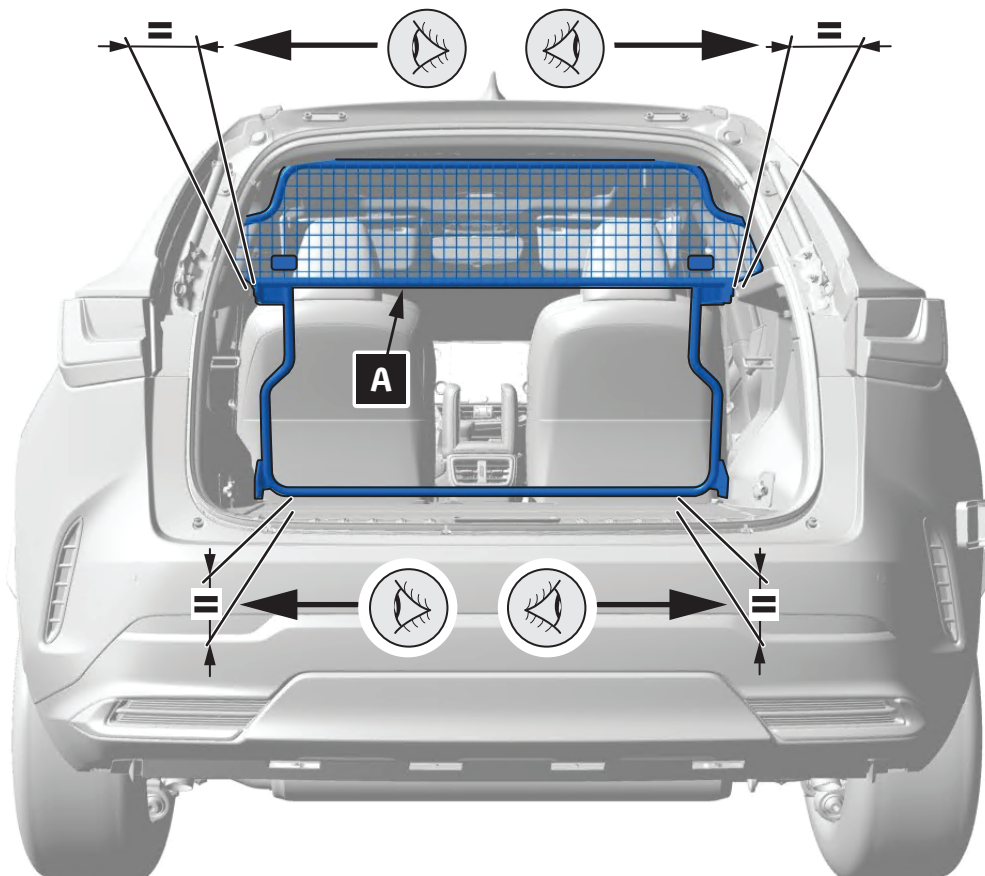
Dog Guard
& Divider

VIN n°



DURING INSTALLATION

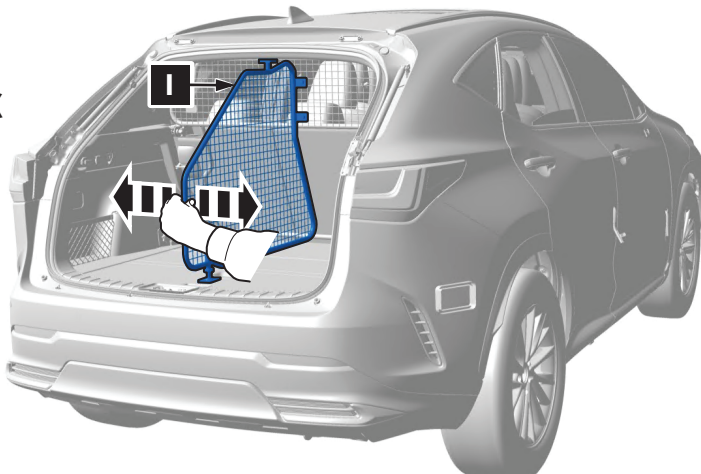
 P/N = OK

1



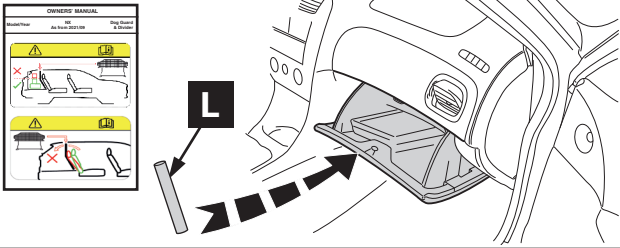
2

  = OK

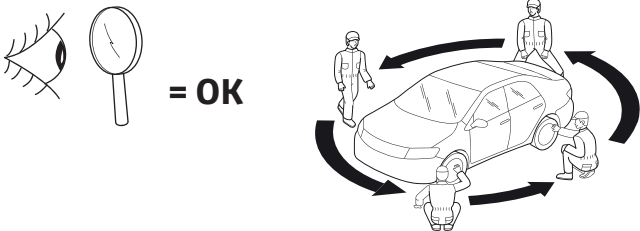


3

1



2



Installation Date:

.. / .. / ..

Technician Name & Signature:

Stamp: