



**TOYOTA**

ALWAYS A  
BETTER WAY

# Toyota C-HR

## Side underruns

Installation instructions

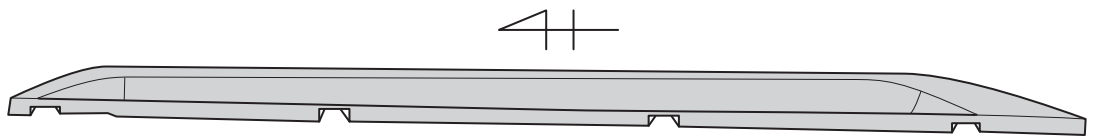
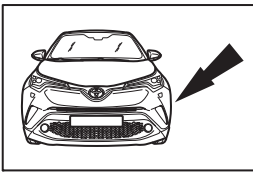
Model year: 2016/10  
Vehicle code: \*\*X\*0\*-AH\*\*\*W  
Part number: PW150-10001

Manual reference number: AIM 003 846-1

# Revision Record

| Rev. No. | Date     | Page    | Picture             | Update | New | Deleted steps |
|----------|----------|---------|---------------------|--------|-----|---------------|
| 1        | 21.10.16 | 2       |                     | X      |     |               |
| 1        | 21.10.16 | 4, 5, 6 | 1, 2, 3, 4, 6, 7, 8 | X      |     |               |
|          |          |         |                     |        |     |               |
|          |          |         |                     |        |     |               |
|          |          |         |                     |        |     |               |
|          |          |         |                     |        |     |               |

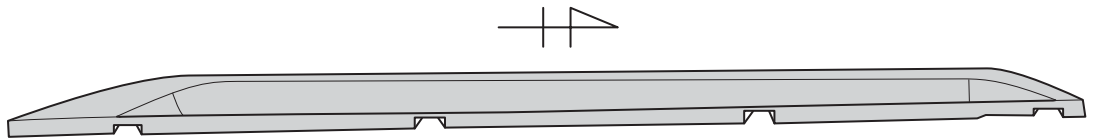
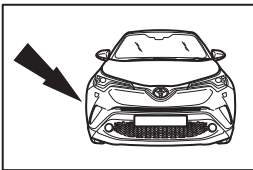
## PW150-10005



**A**

**1x**

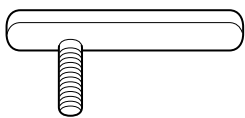
## PW150-10007



**B**

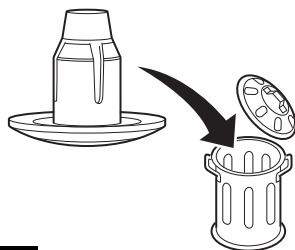
**1x**

## PW150-10006



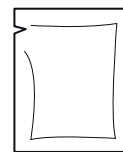
**C**

**8x**



**D**

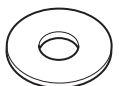
**2x**



**3M adhesion promoter**

**E**

**2x**



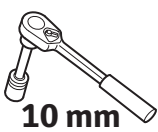
**F**

**8x**

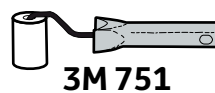
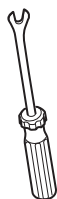


**G**

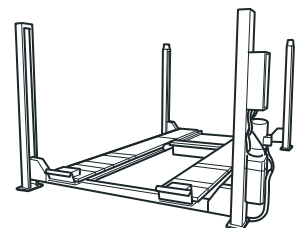
**8x**



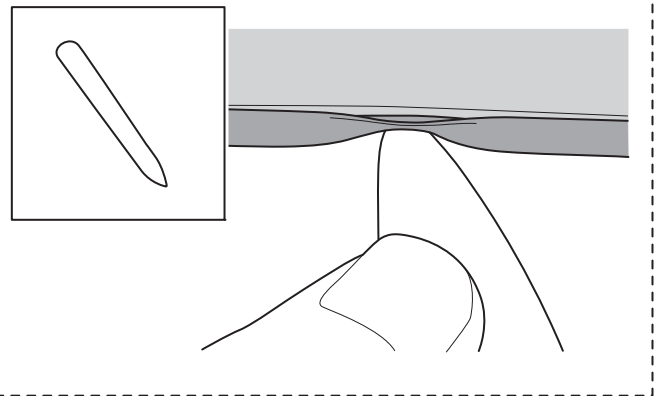
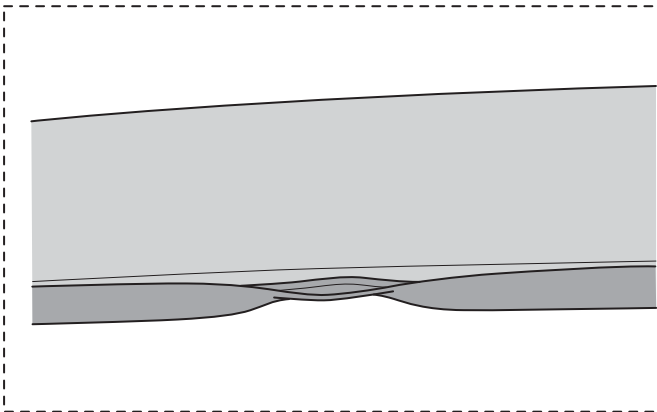
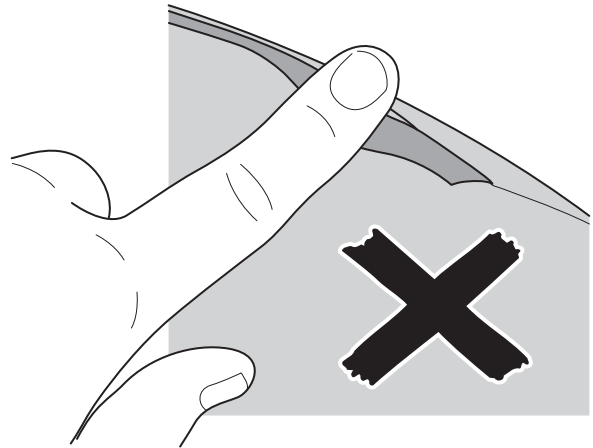
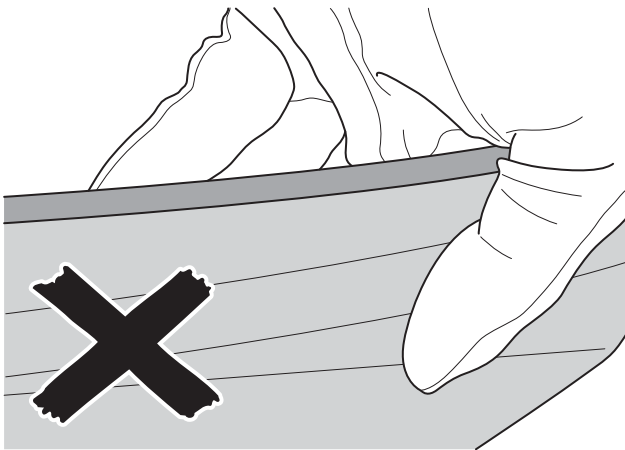
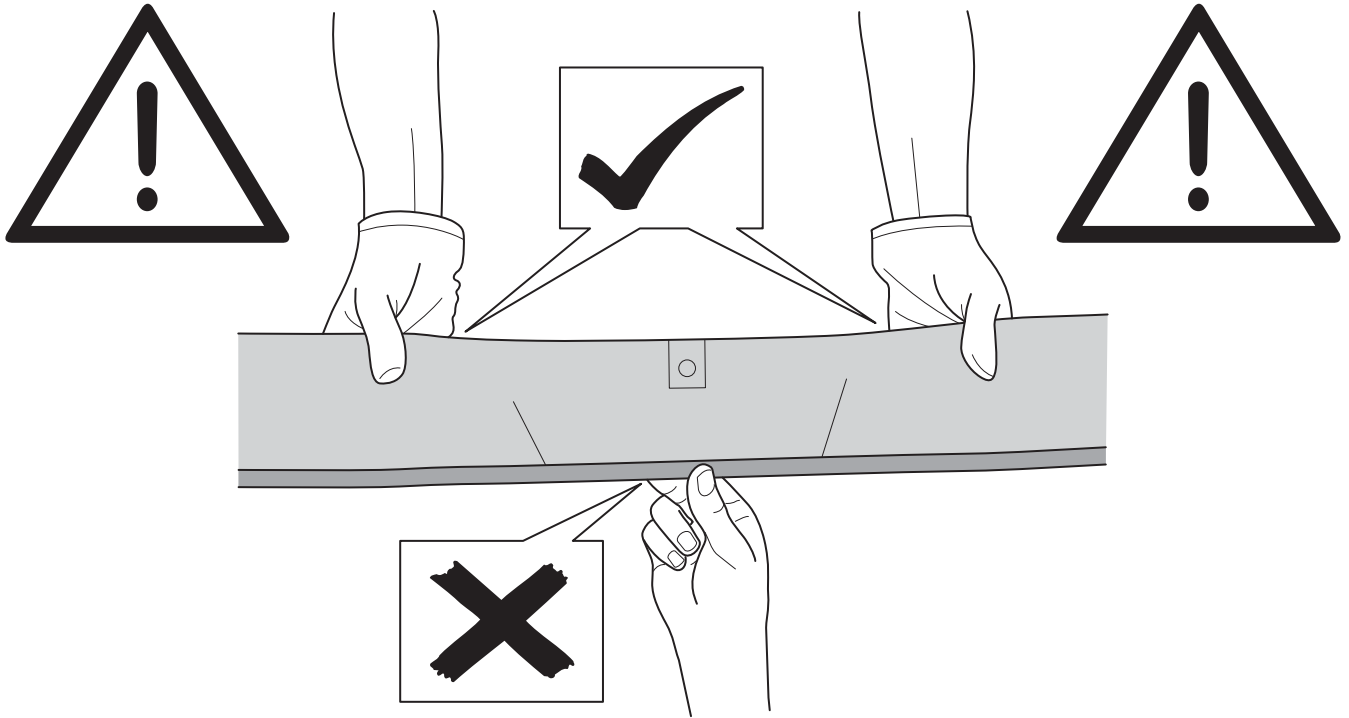
**10 mm**

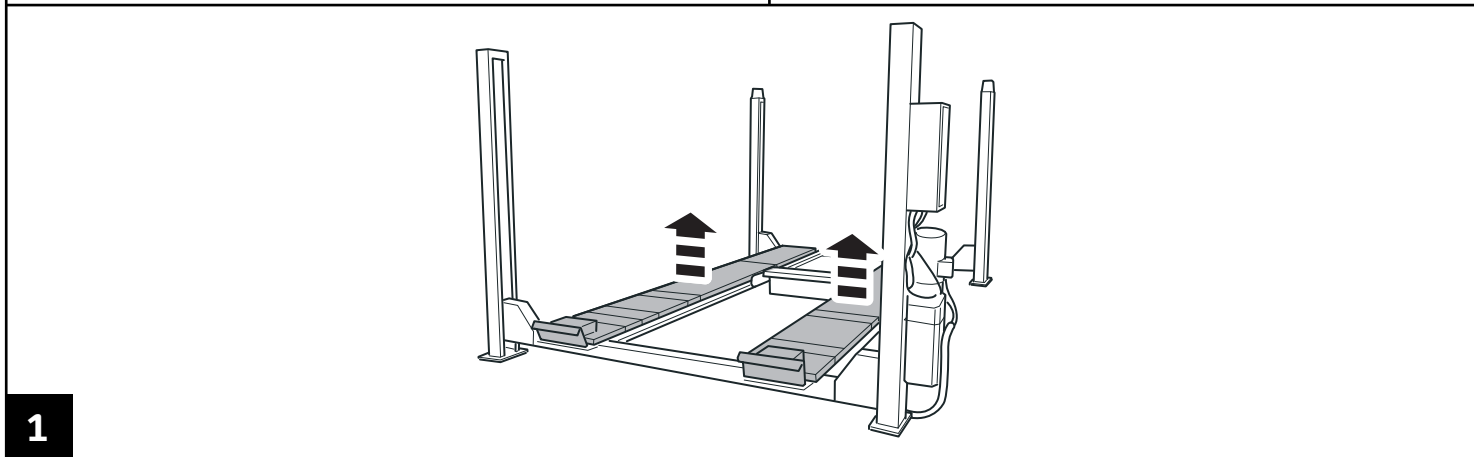


**3M 751**



# INFO

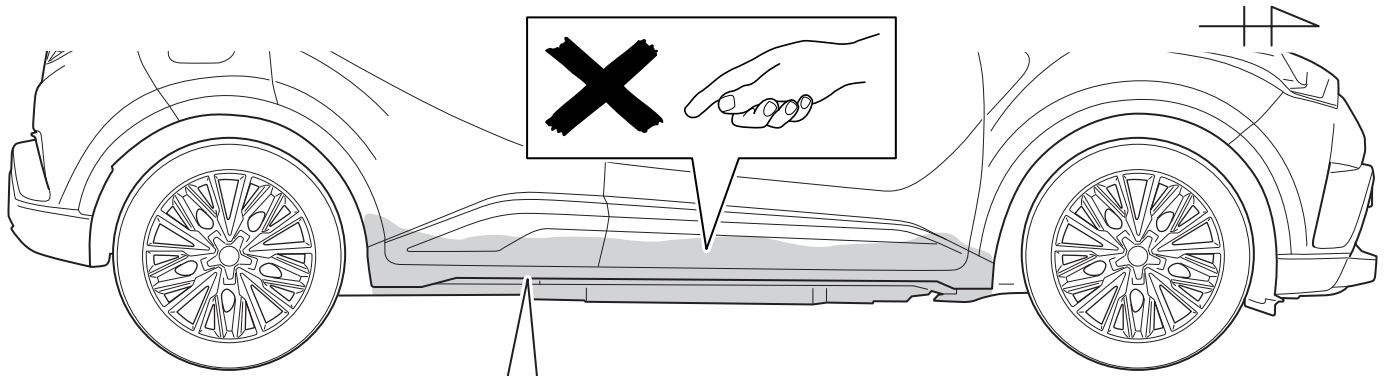




**1**

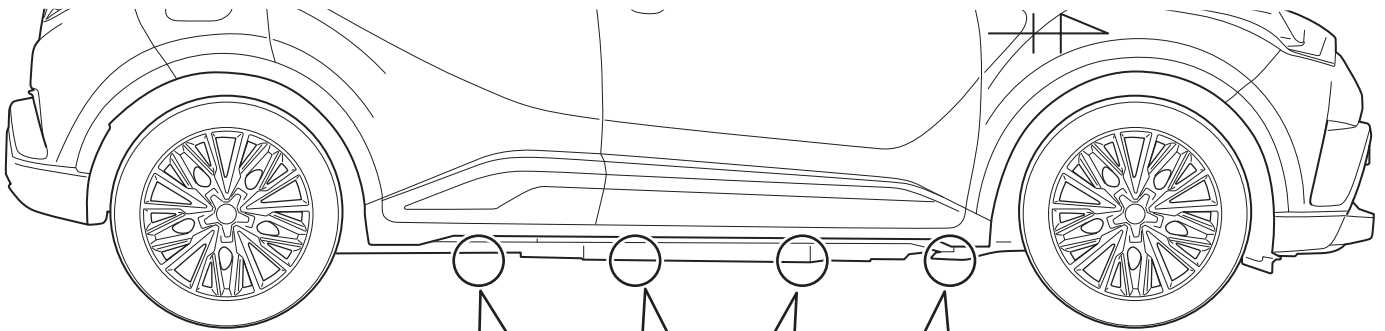
|   |   |   |   |   |   |   |
|---|---|---|---|---|---|---|
| ✓ | ✗ | ✓ | ✗ | ✓ | ✗ | ✓ |
|   |   |   |   |   |   |   |

**2**



|   |                                       |  |   |
|---|---------------------------------------|--|---|
| <p><b>1</b></p> <p><b>CLEANER<br/>DEGREASER</b></p> | <p><b>2</b></p> <p><b>3M 2010</b></p> | <p><b>3</b></p> <p><b>3M adhesion promoter</b></p> | <p><b>&gt;1.5 mins.<br/>&lt; 1 hour</b></p> |
|---|---------------------------------------|--|---|

**3**



|  |                                  |
|--|----------------------------------|
| <p><b>1</b></p> <p><b>C</b></p> <p><b>4x</b></p> | <p><b>2</b></p> <p><b>4x</b></p> |
|--|----------------------------------|

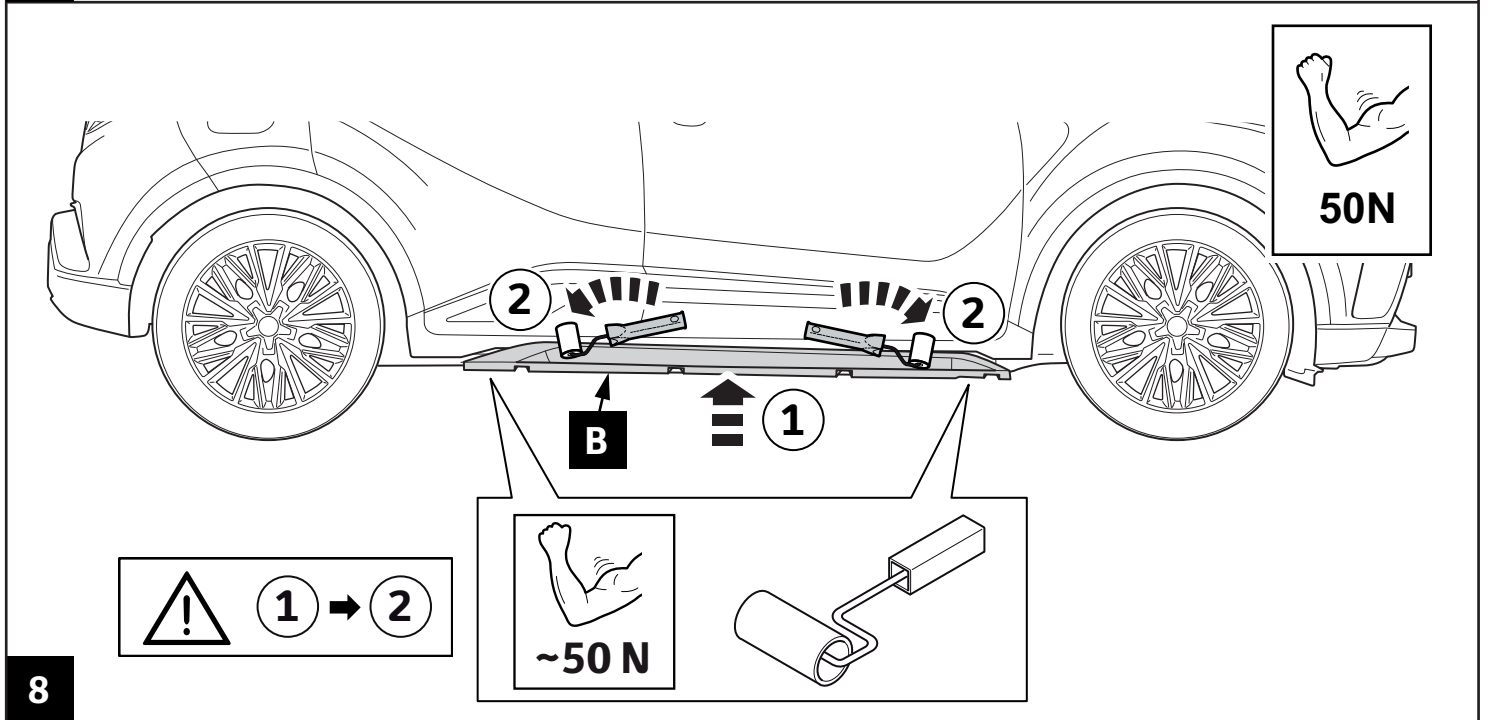
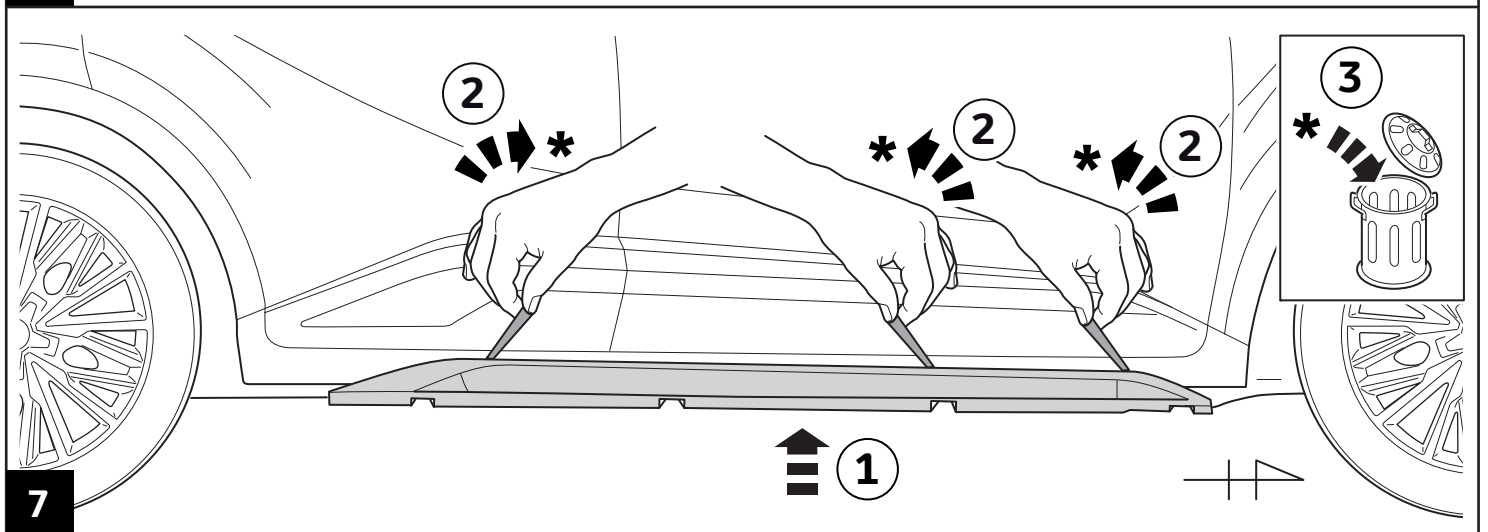
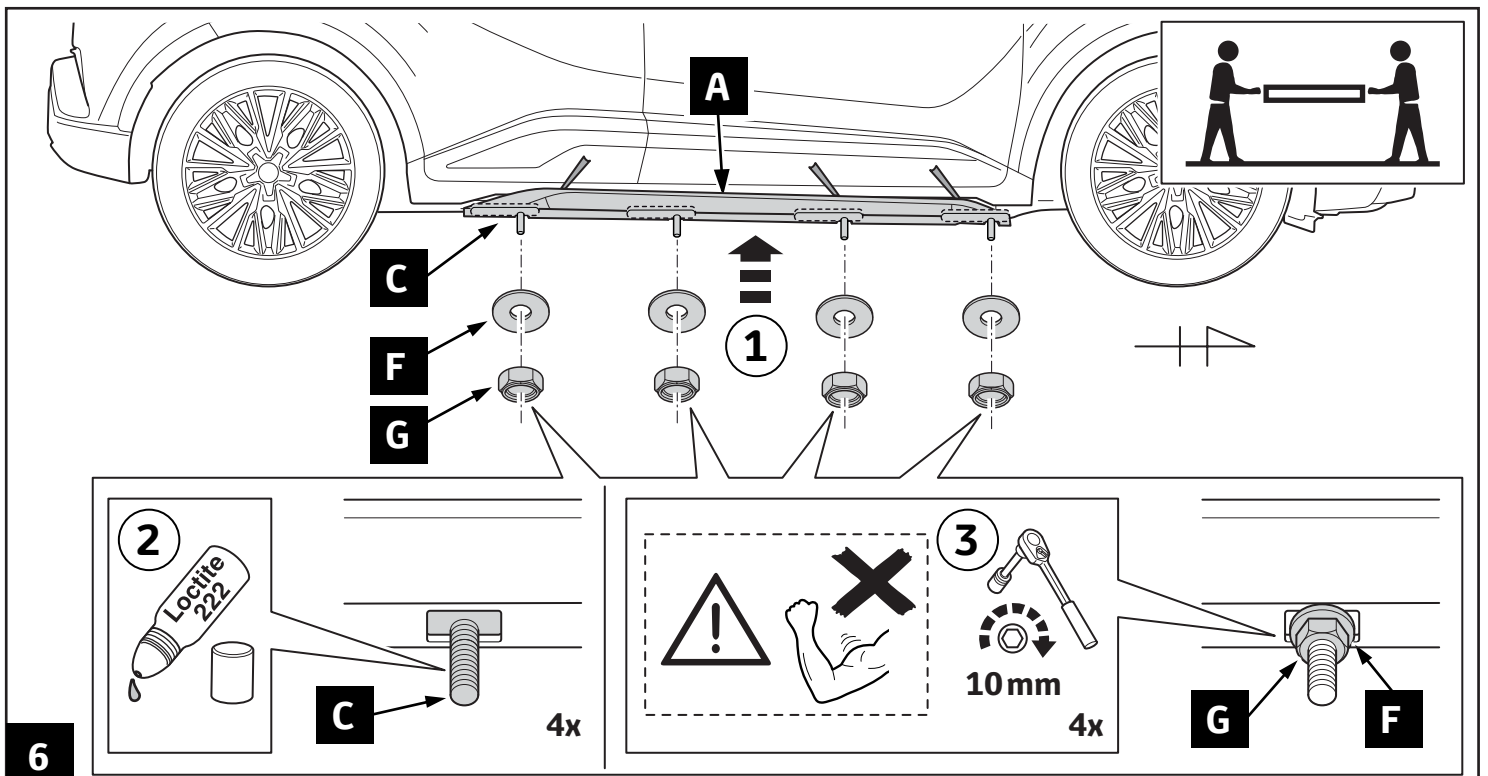
**4**

**2** 50mm   **2** 50mm   **2** 50mm

**1**

**A B**

**5**



**1 - 8**

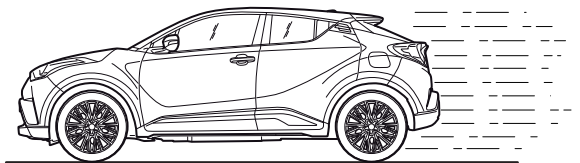
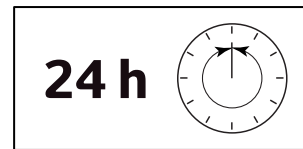
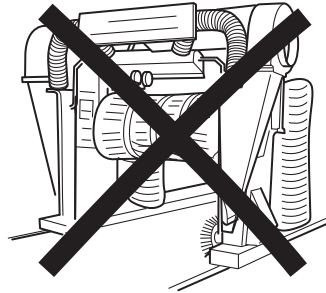
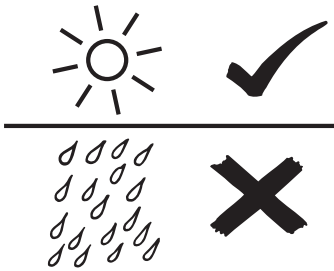
**1 - 8**

**LHS = RHS**

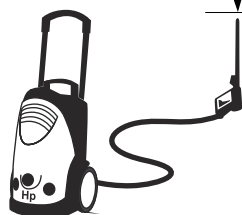
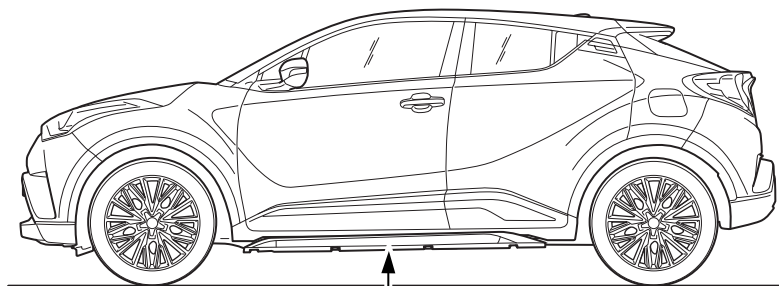
**A**

**B**

**9**



**Max. 90 Km/h**



  
**> 1 meter**

# CHECK SHEET



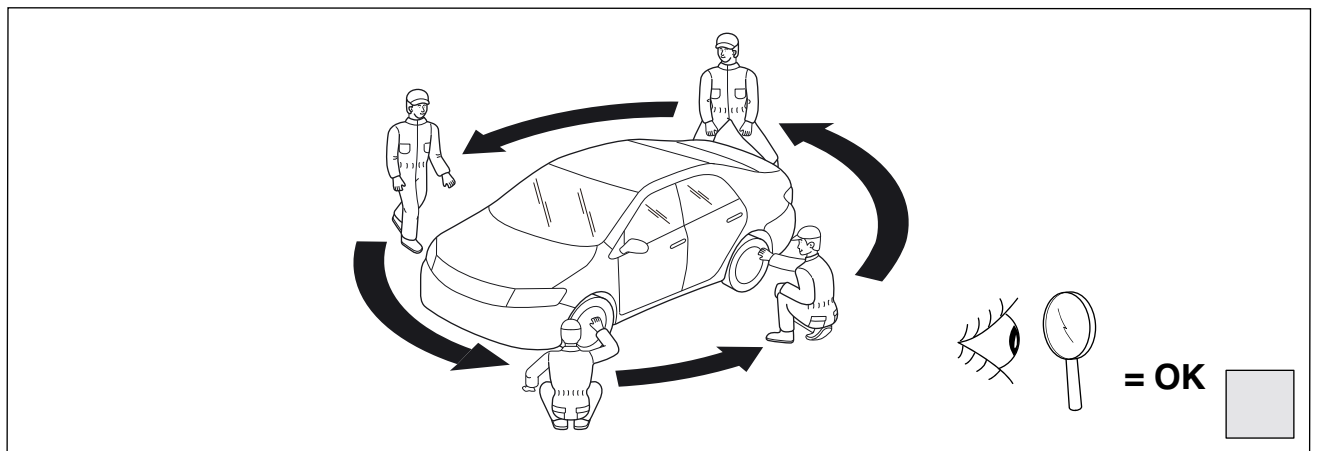
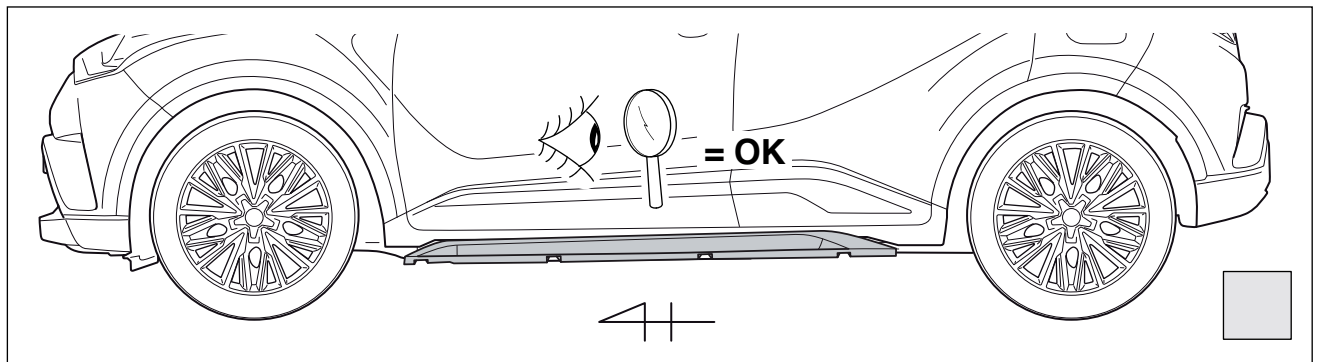
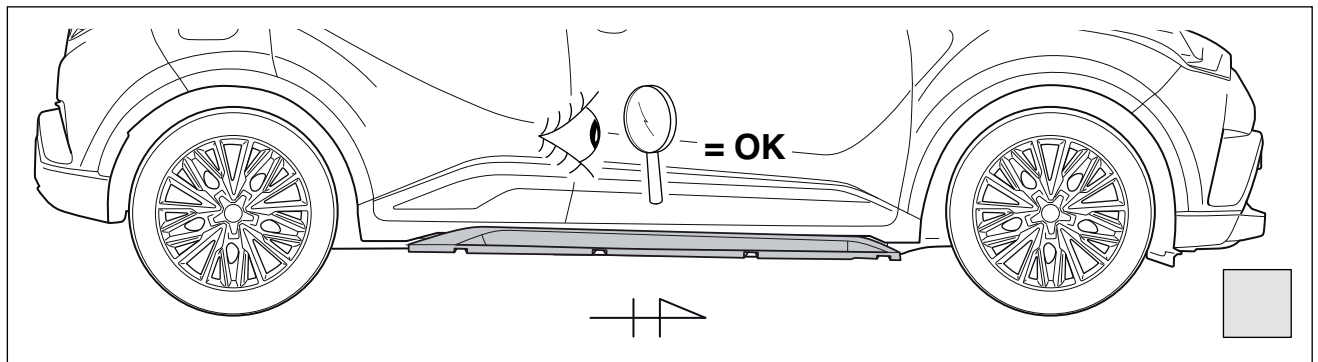
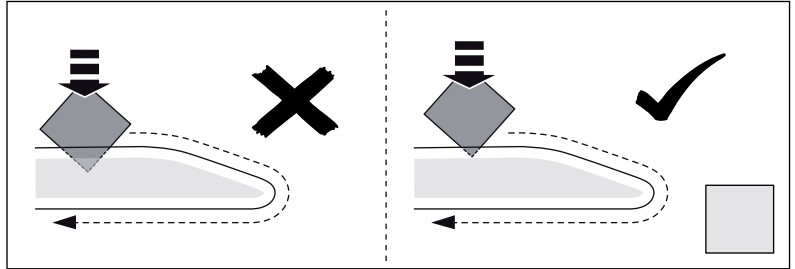
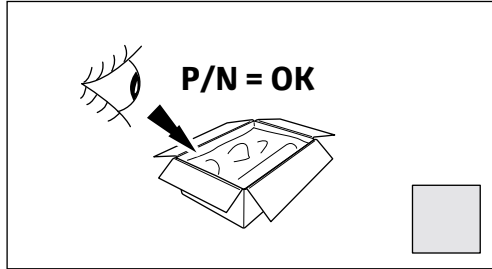
**TOYOTA**

**Model / Year** C-HR 2016/10

**Side underruns**

**VIN n°**

ALWAYS A  
BETTER WAY



**Installation Date:**

.. / .. / ..

**Technician Name & Signature:**

**Stamp:**