



**TOYOTA**

ALWAYS A  
BETTER WAY

# Yaris

## Side sills 5dr

Installation Instruction

Model year: 2014/07

Vehicle code: \*\*P130\*-C\*\*\*\*W

Part number: PZ415-B2492-ZB  
PZ415-B2493-ZB  
PZ415-B2494-ZB

Manual reference number: AIM 003 191 - 0

# Revision Record

Rev. No.	Date	Page	Picture	Update	New	Deleted steps

# Yaris Side sills 5Dr

## FL



**A**

PZ415-B2492-Z1  
PZ415-B2493-Z1  
PZ415-B2494-Z1

## RL



**B**

PZ415-B2492-Z2  
PZ415-B2493-Z2  
PZ415-B2494-Z2

## RR



**D**

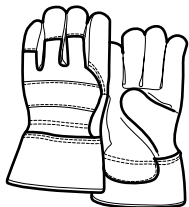
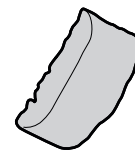
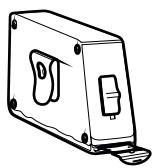
PZ415-B2492-Z4  
PZ415-B2493-Z4  
PZ415-B2494-Z4

## FR

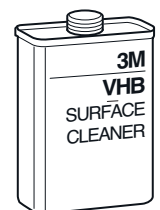


**C**

PZ415-B2492-Z3  
PZ415-B2493-Z3  
PZ415-B2494-Z3



Scotch-Brite HP



MSDS

0-95% Relative humidity

40°C

18°C

**1**

3M  
VHB  
SURFACE  
CLEANER

**2**

10mm

10mm

350mm

100mm

**3**

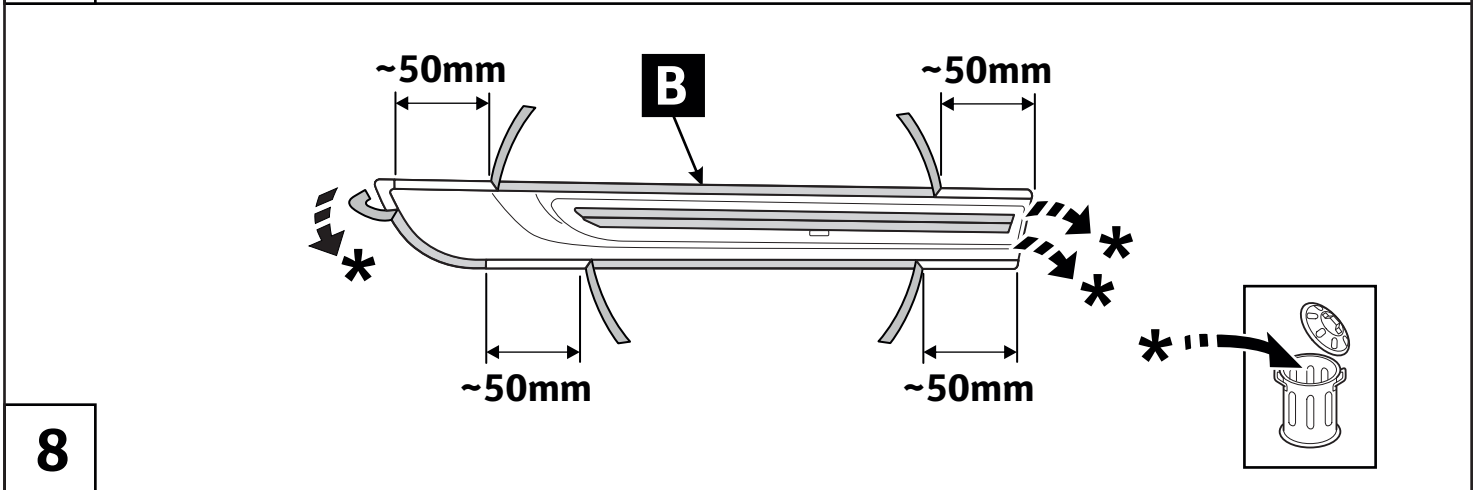
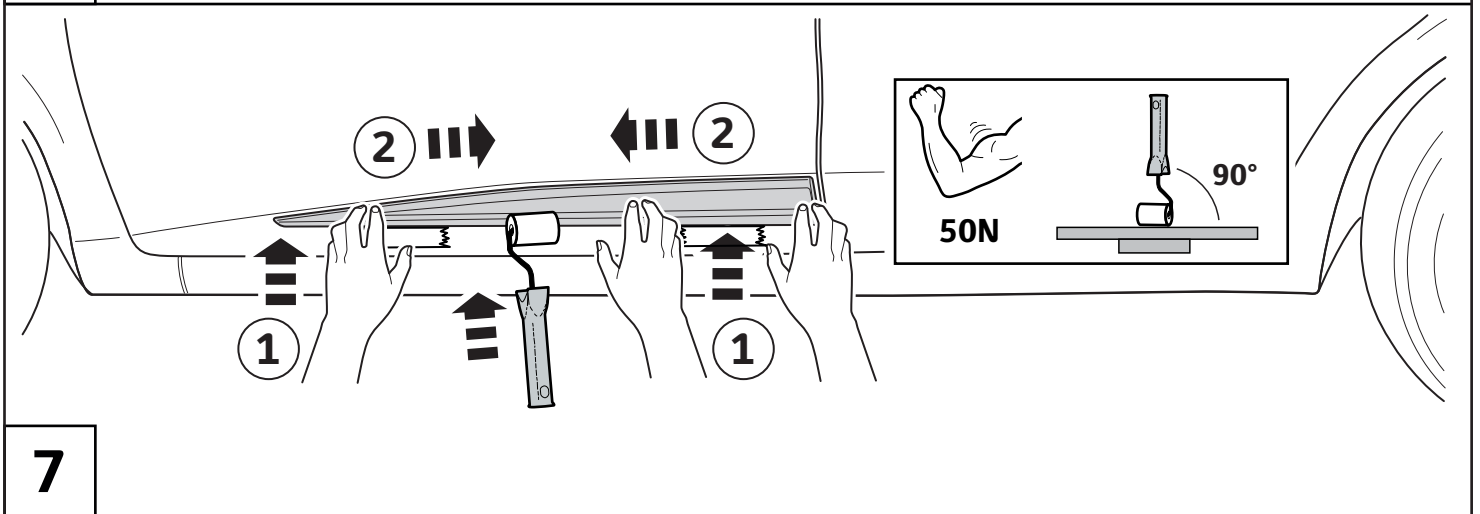
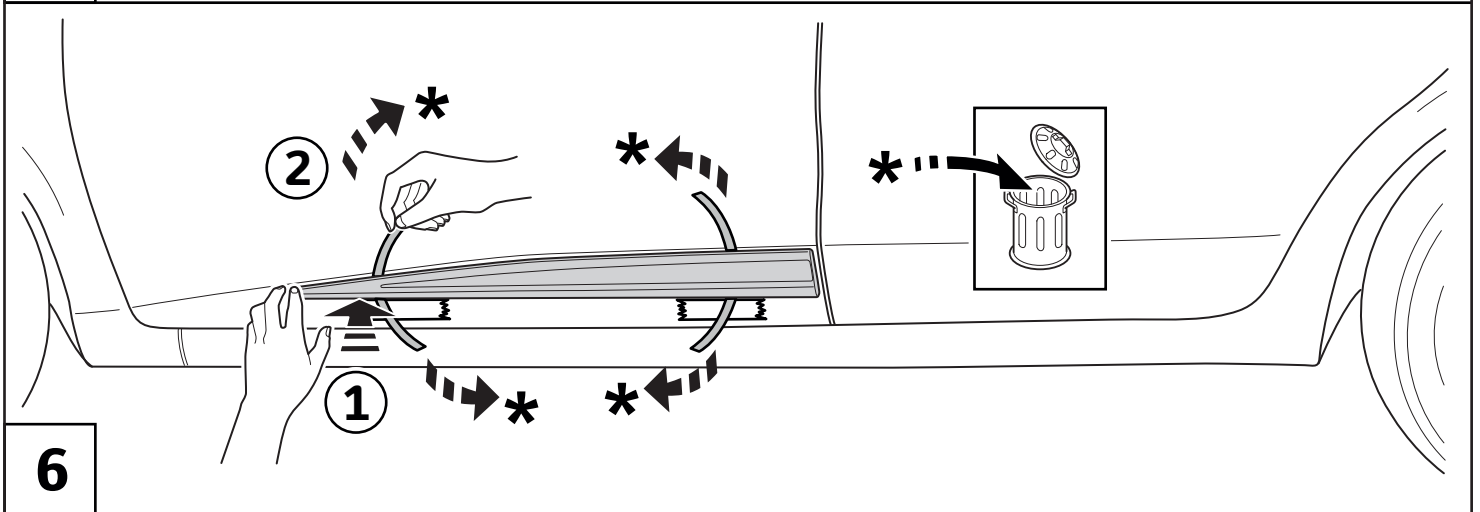
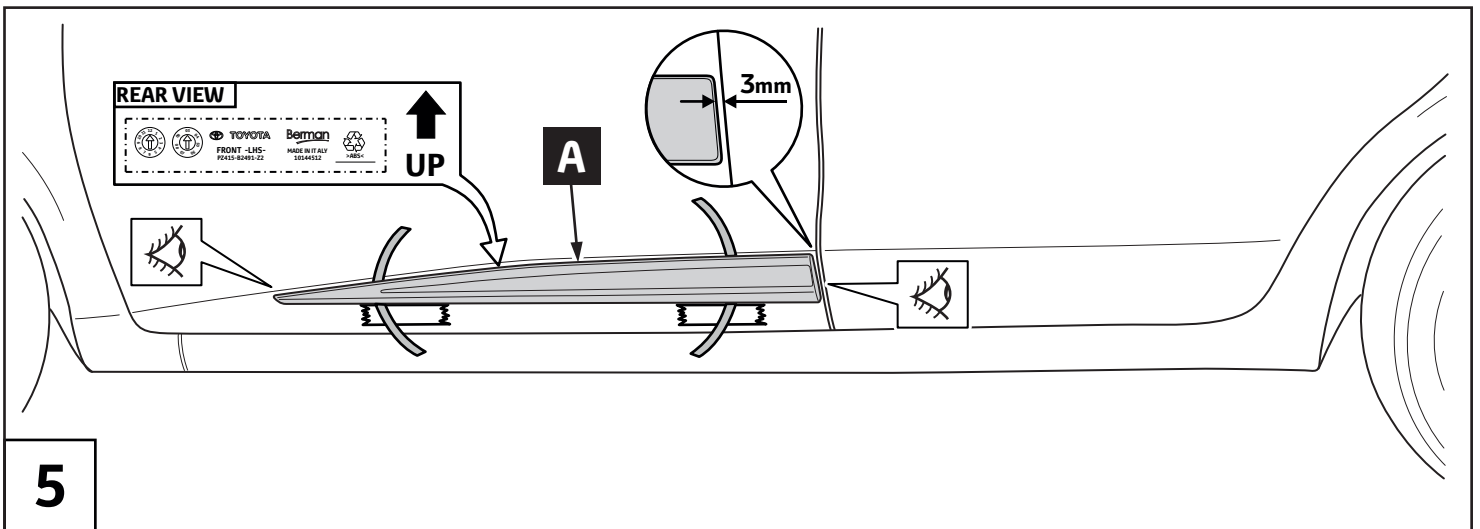
~50mm

~50mm

~50mm

~50mm

**4**



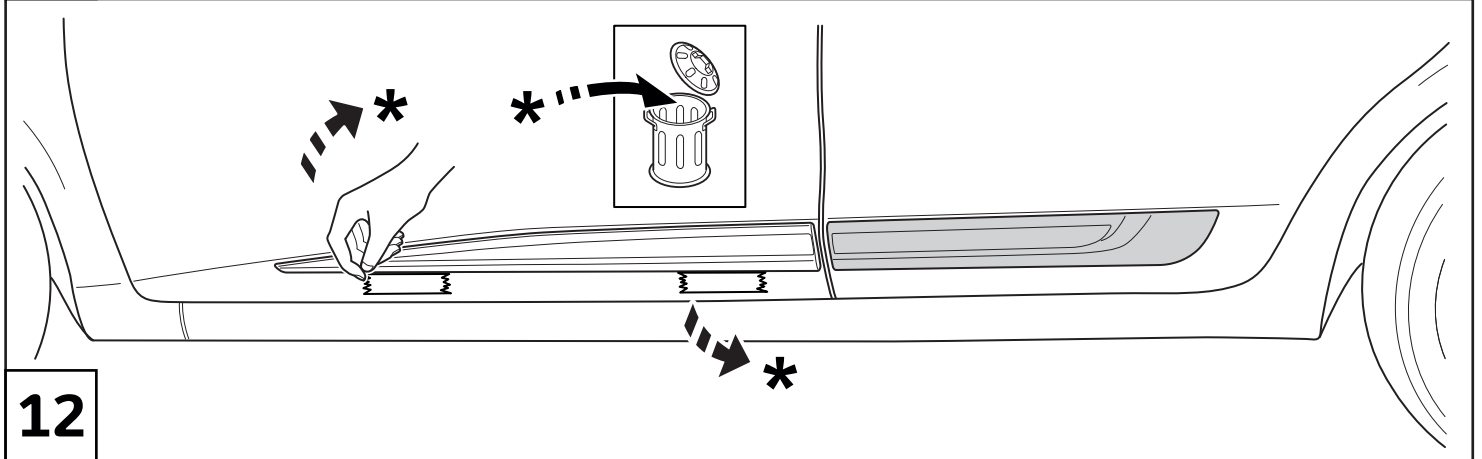
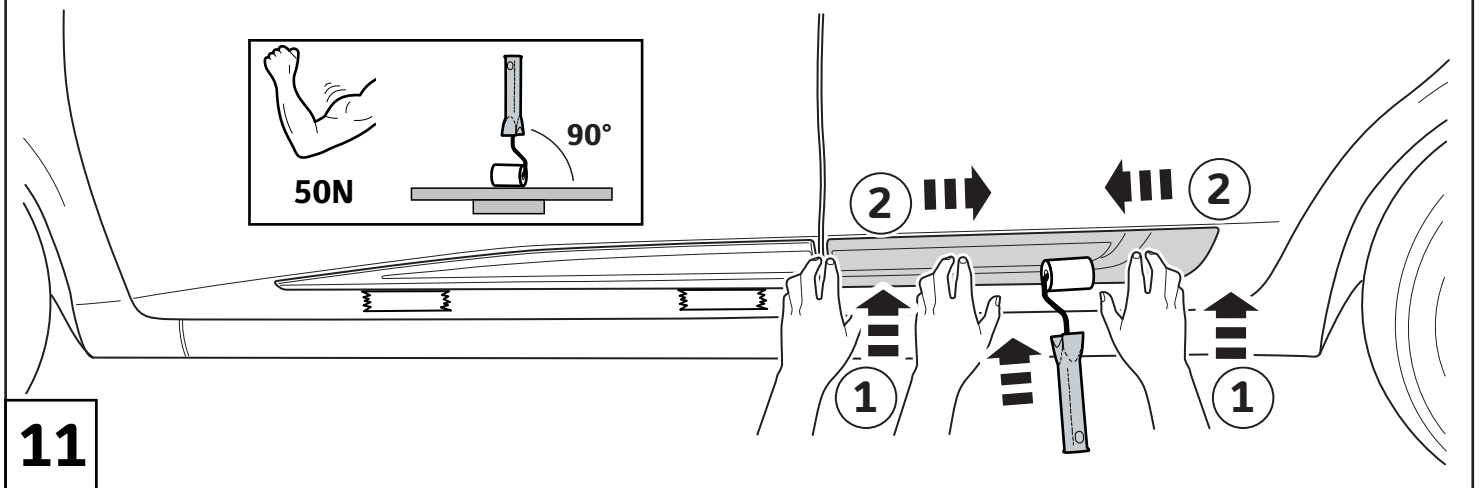
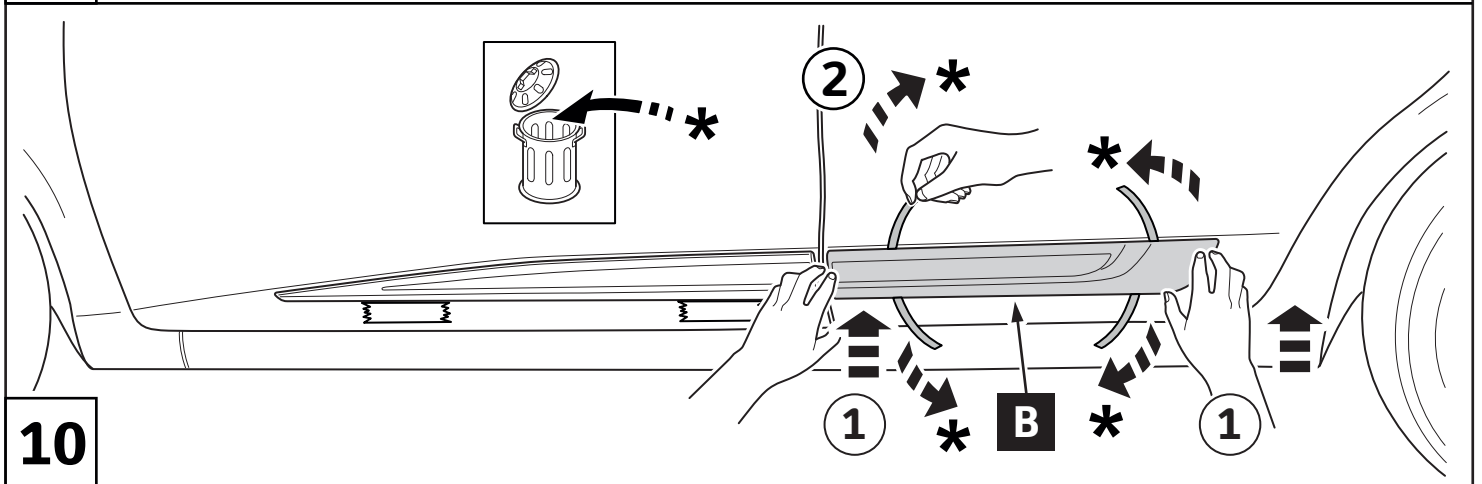
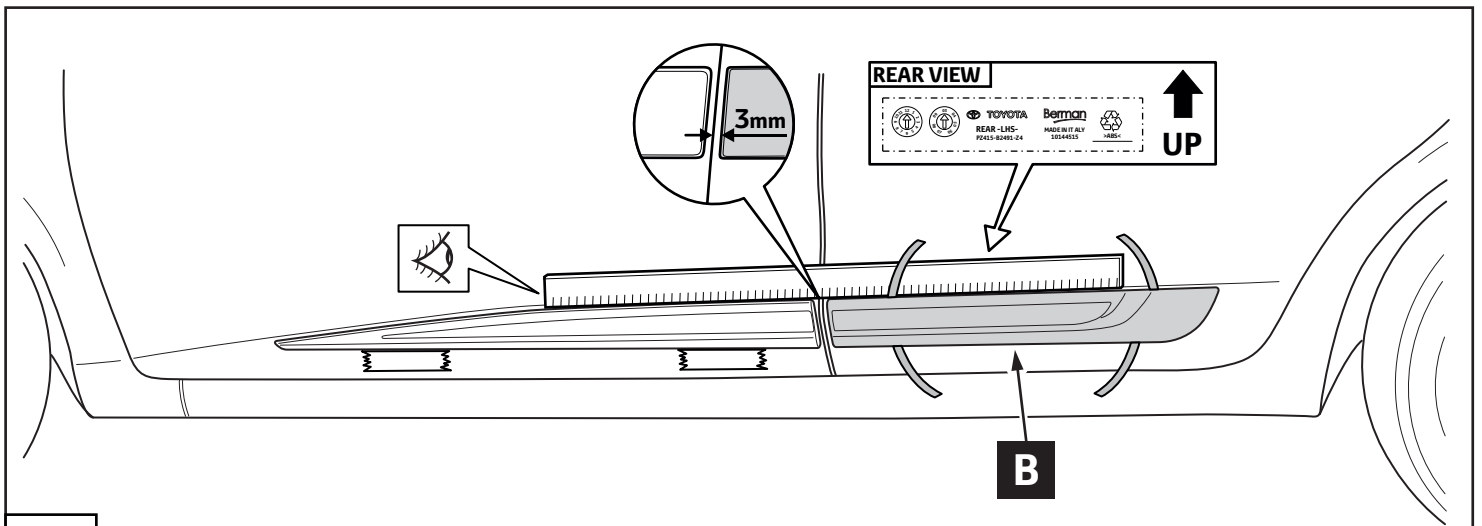
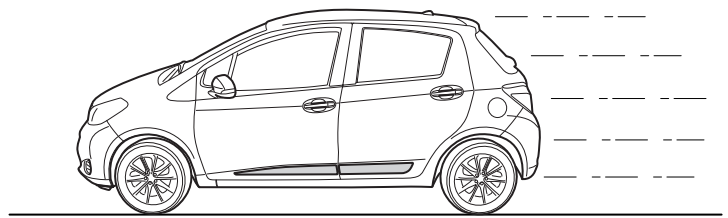
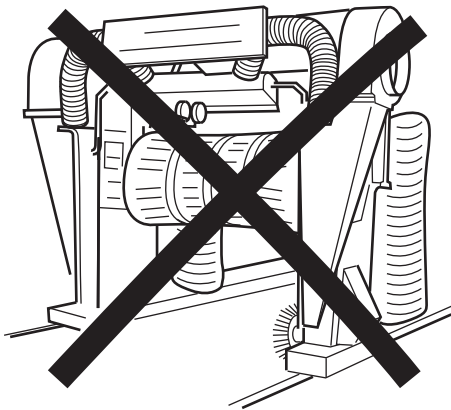
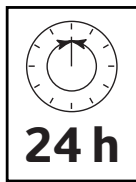


Fig.1 → Fig.13

Fig.1 → Fig.13

**RHS = LHS**  
**C D A B**

**13**



**Max. 90 Km/h**

**14**

# CHECK SHEET




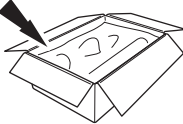
**TOYOTA**

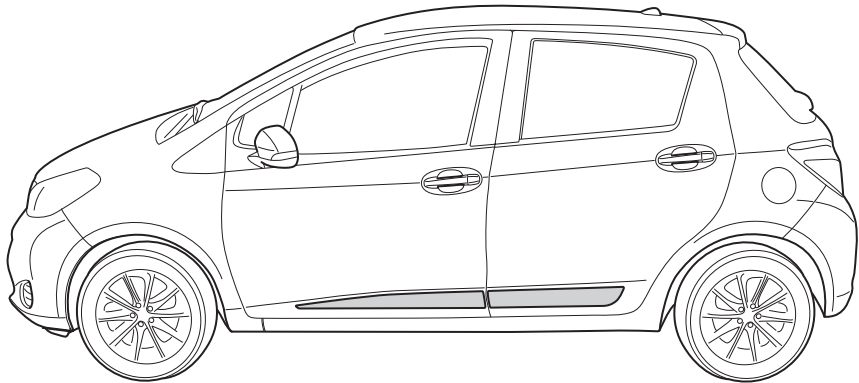
ALWAYS A  
BETTER WAY



**Model / Year**    **Yaris**  
                          **2014/07**

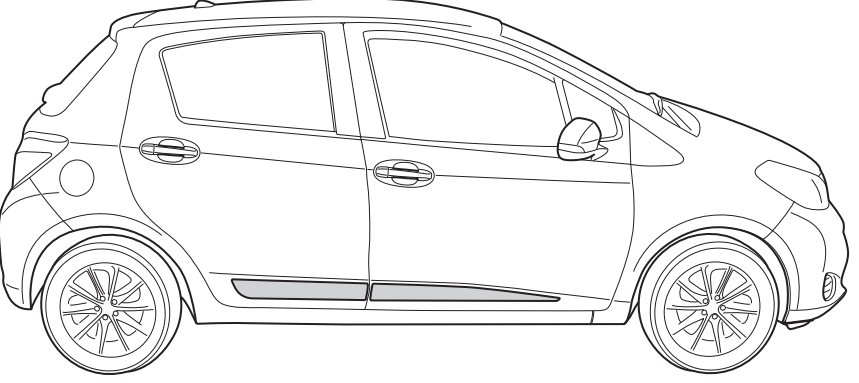
**Side sills 5dr**



**VIN n°**

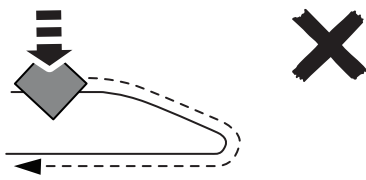
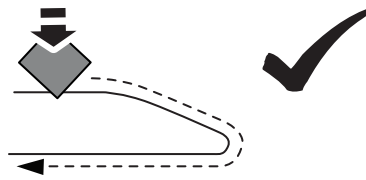
 **P/N = OK**  




  **= OK**



  **= OK**

**Installation Date:**  
... / ... / ...

**Technician Name & Signature:**

**Stamp:**

