

# bZ4X

## Cross bar

### Installation Instructions

Model year: as from 2022/03  
Vehicle code: \*EAM1\*\*-MWD\*SW  
Part number: PW301-42004

Manual reference number: AIM 005 215-0

Latest Version  
SCAN HERE

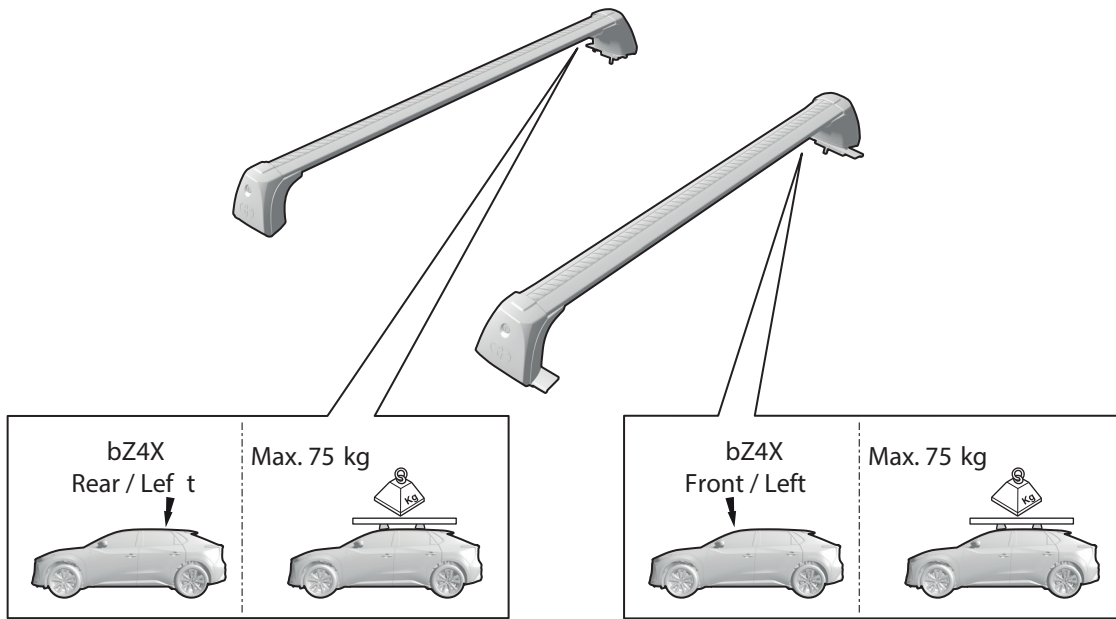


# Revision Record

| Rev. No. | Date | Page | Step | Remarks |
|----------|------|------|------|---------|
|          |      |      |      |         |
|          |      |      |      |         |
|          |      |      |      |         |
|          |      |      |      |         |
|          |      |      |      |         |
|          |      |      |      |         |
|          |      |      |      |         |

**KIT CONTENT**

PW301-42004



**A**

1x

|   |  |  |                           |                           |
|---|--|--|---------------------------|---------------------------|
| <p><b>B</b></p> <p>PZ41B-0N0**-.00<br/>**= 11, 13, 15, 17, 19</p> <p>1x</p> | <p><b>C</b></p> <p>PW301-42002</p> <p>4x</p> | <p><b>D</b></p> <p>PW301-42001</p> <p>4x</p> | <p><b>E</b></p> <p>1x</p> | <p><b>F</b></p> <p>2x</p> |
|---|--|--|---------------------------|---------------------------|

**TOOLS**

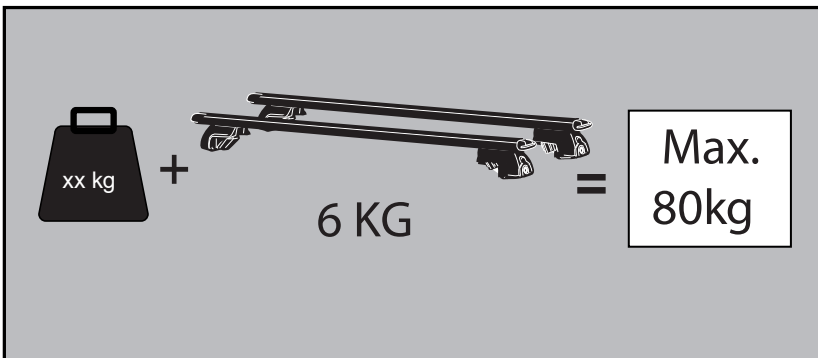
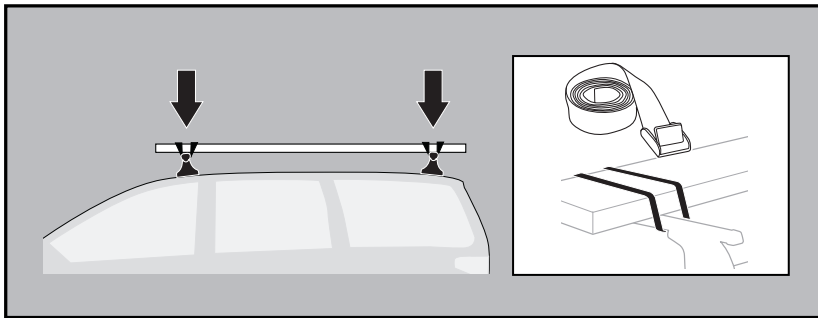
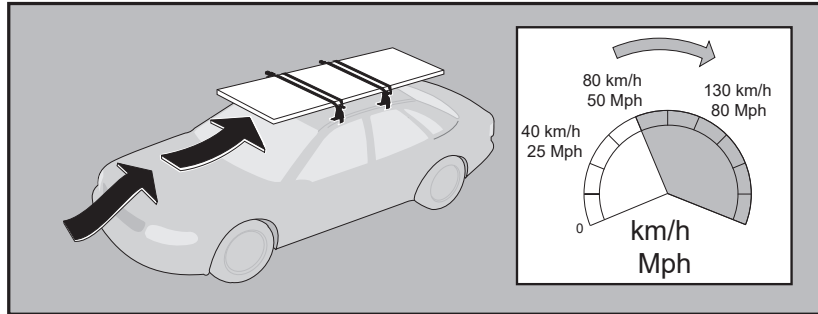
|  |  |  |  |  |
|--|--|--|--|--|
|  |  |  |  |  |
|--|--|--|--|--|

**CONSUMABLES**

|                               |  |  |  |  |
|-------------------------------|--|--|--|--|
| <p><b>ELECTRICAL TAPE</b></p> |  |  |  |  |
|-------------------------------|--|--|--|--|



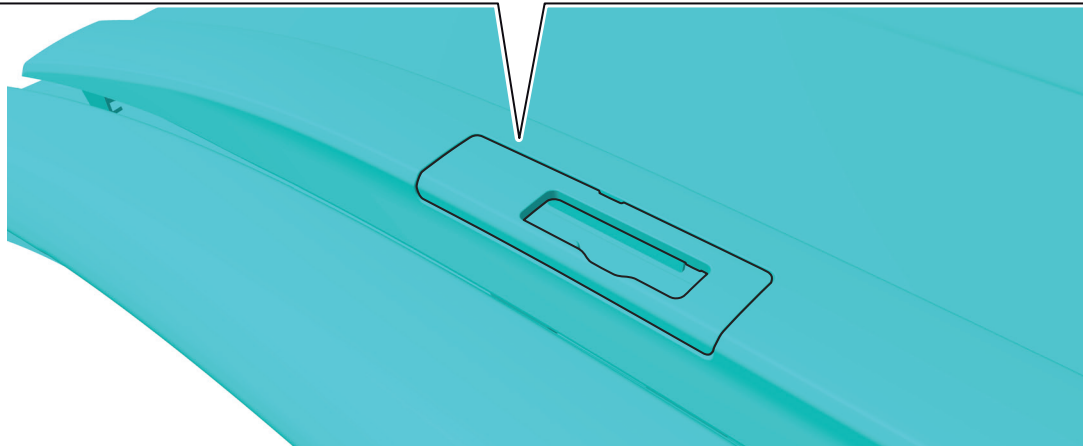
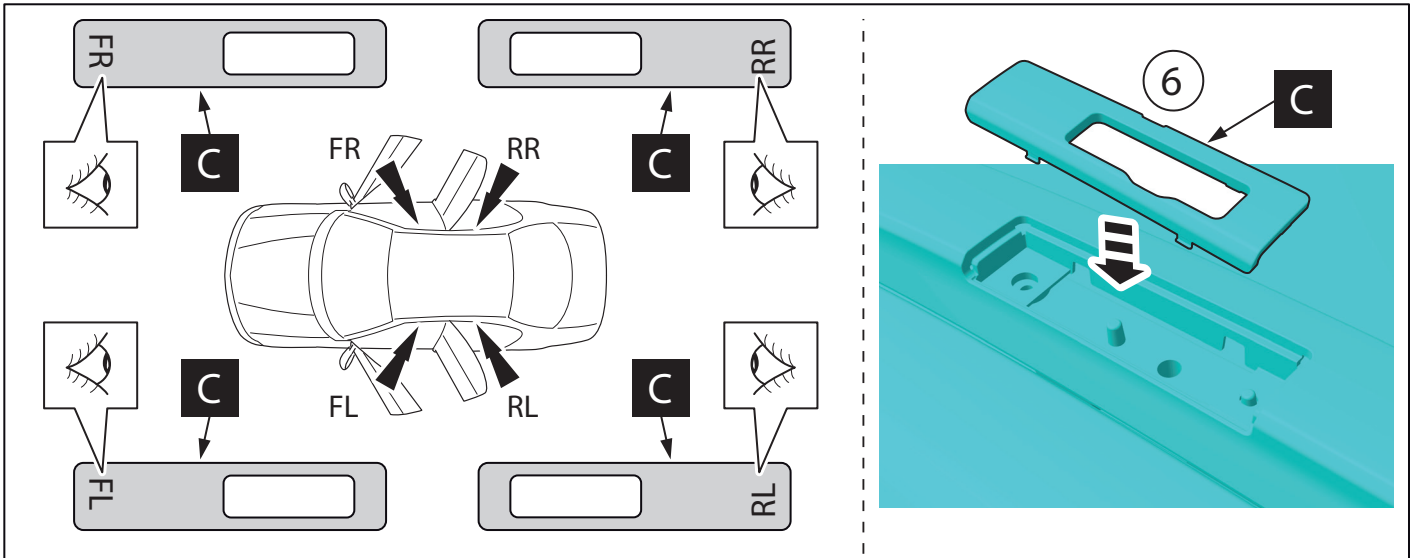
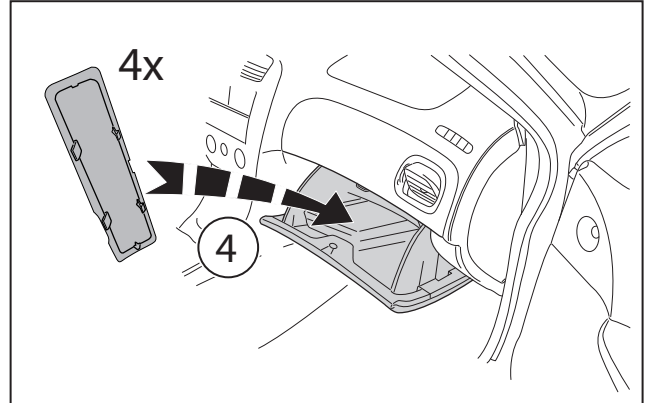
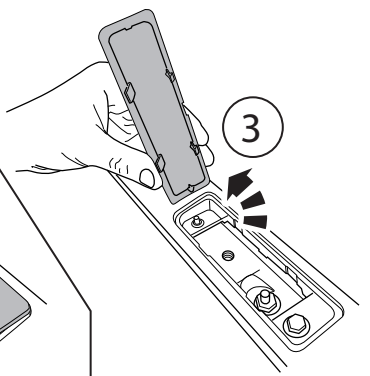
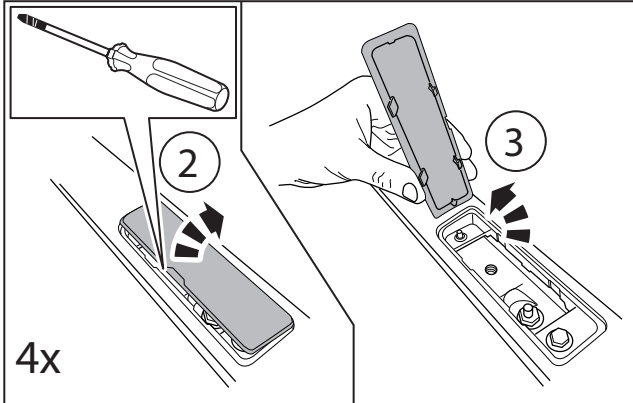
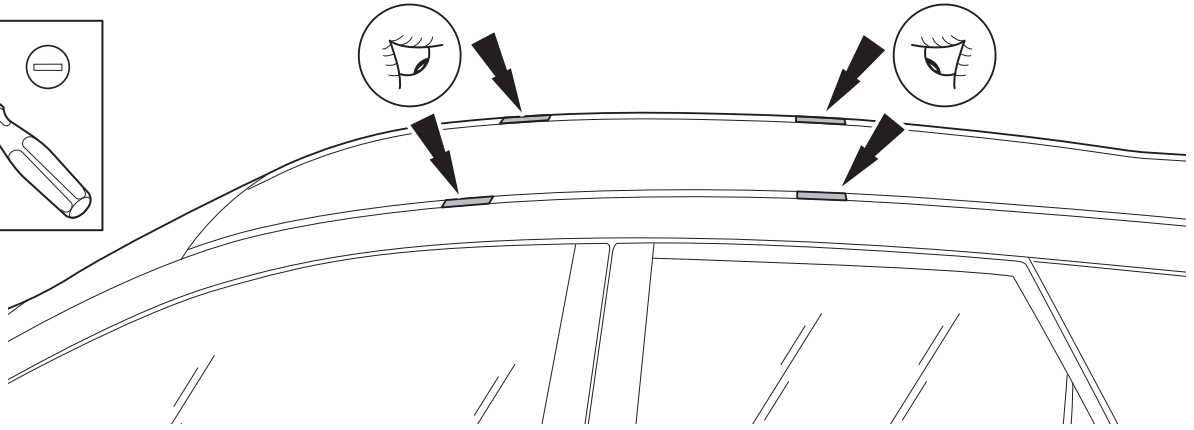
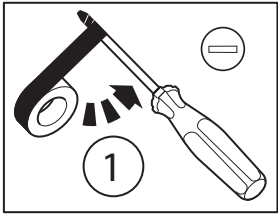
### Material Safety Data Sheet



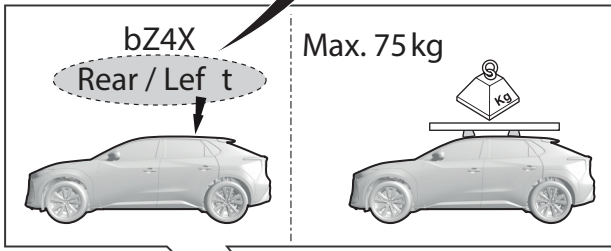
**CITY CRASH**  
Complies with ISO norm

ISO 11154-E

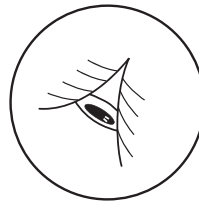
# INSTALLATION INSTRUCTIONS



Rear / Left

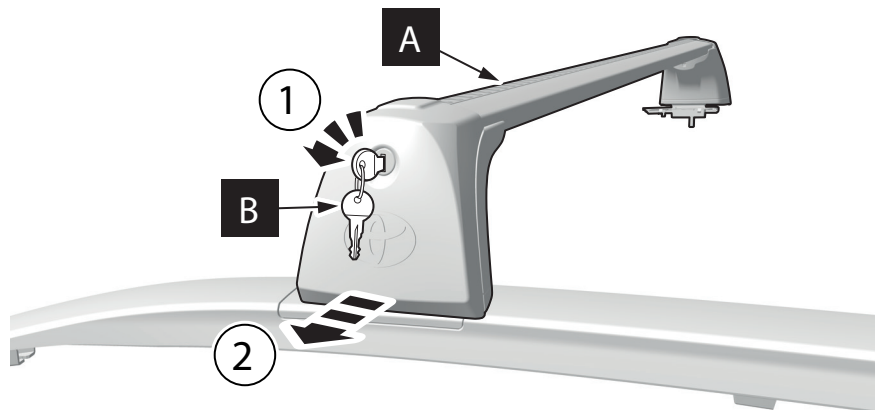
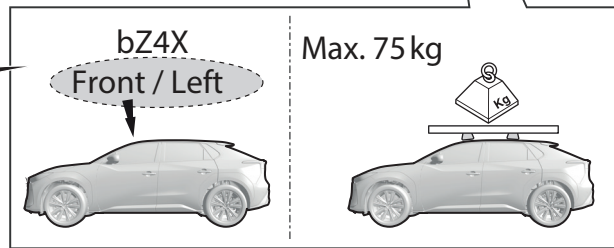


A



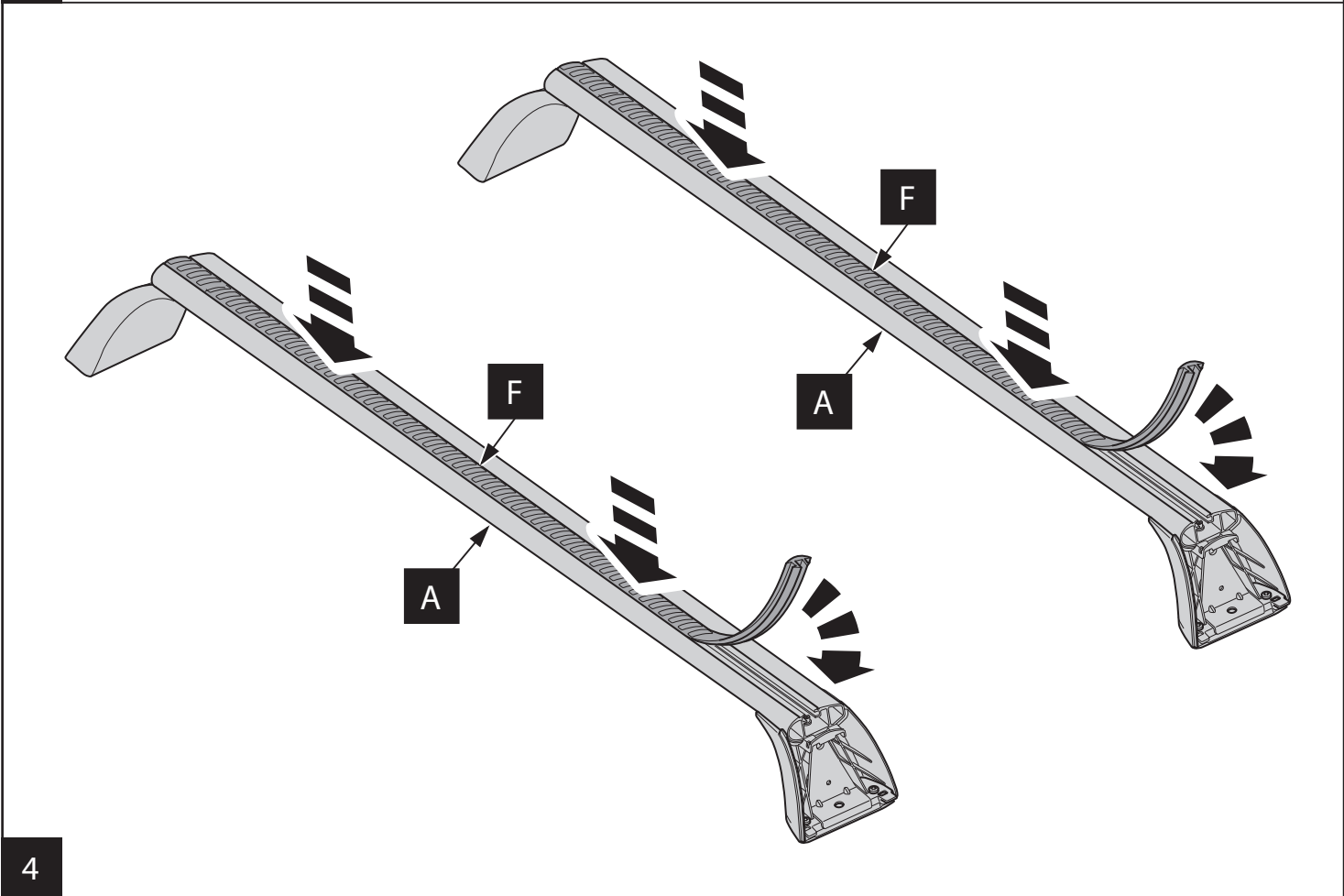
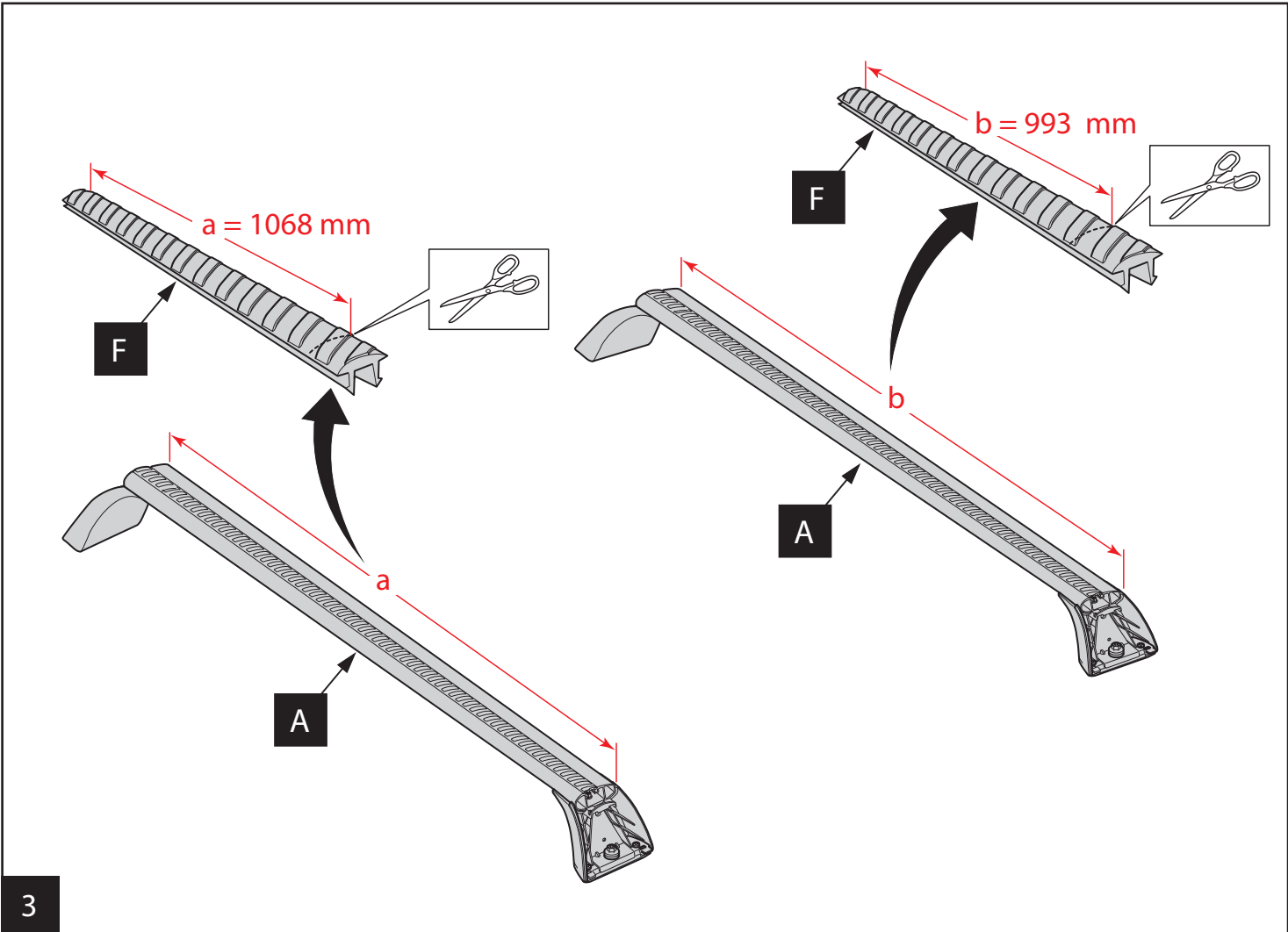
A

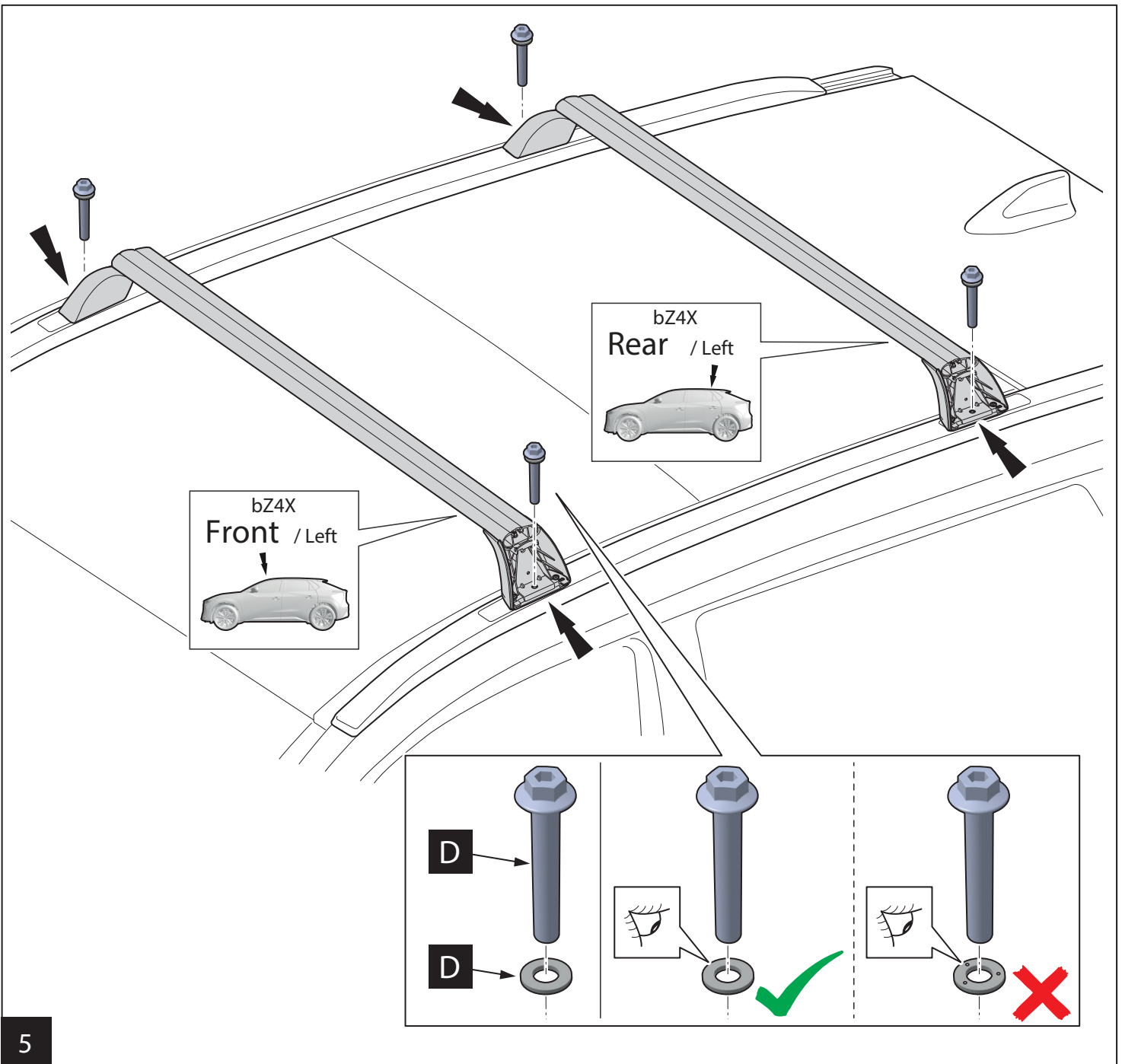
Front / Left



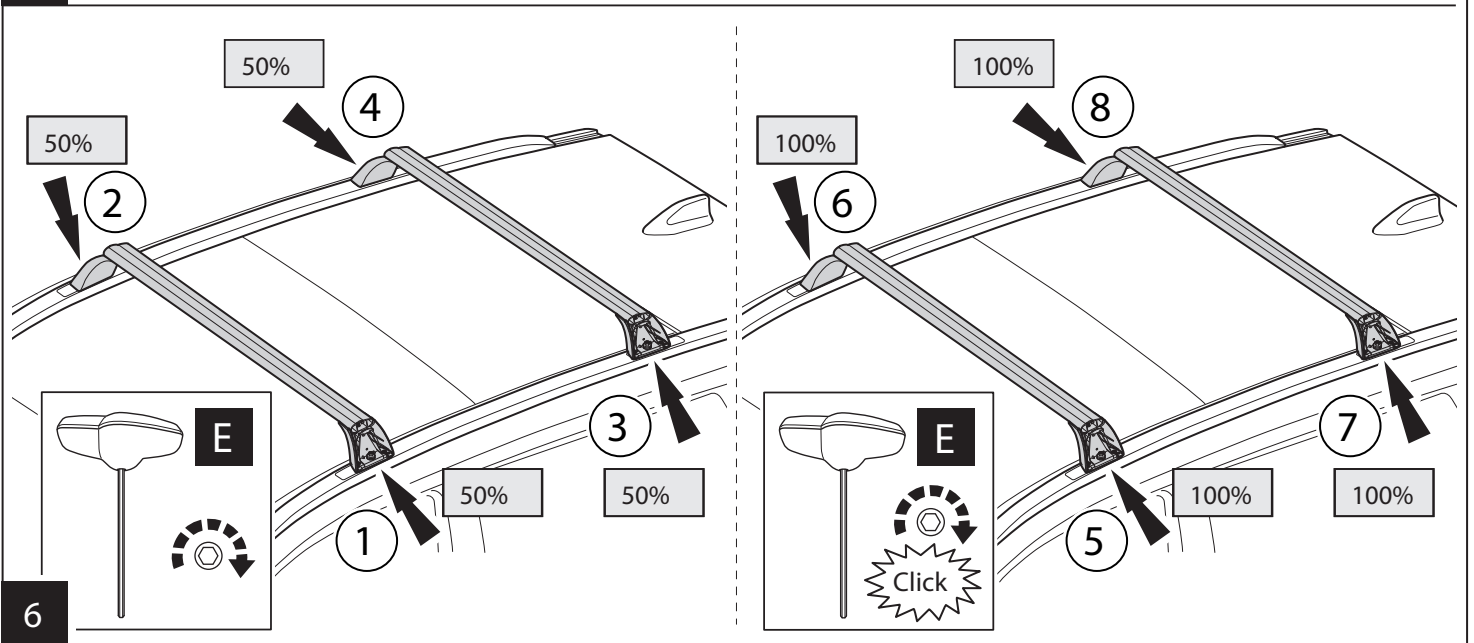
2

4x



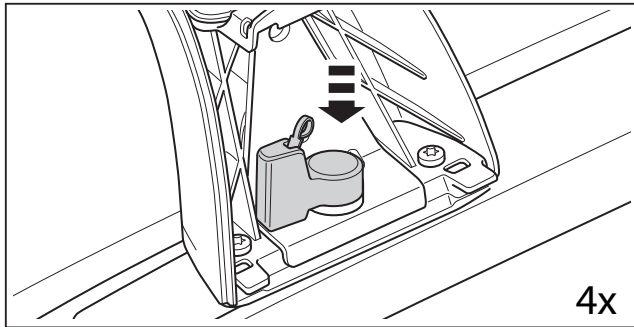
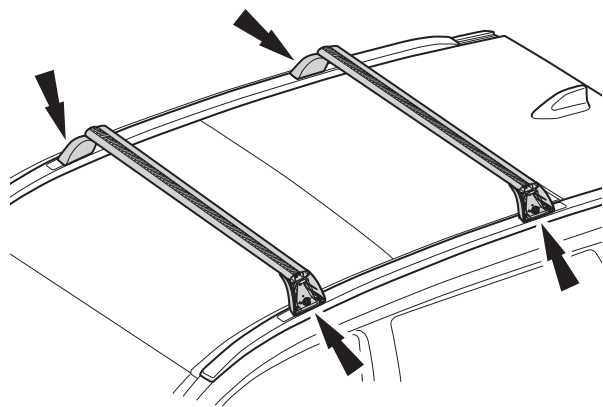


5



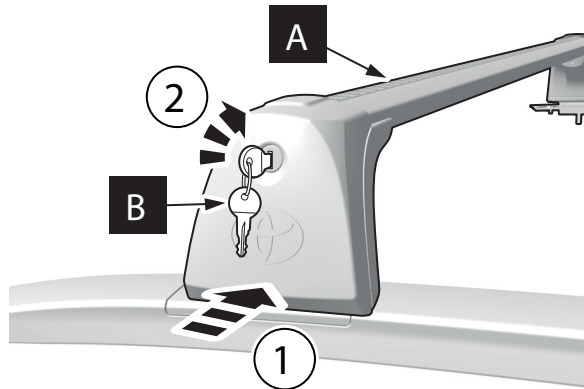
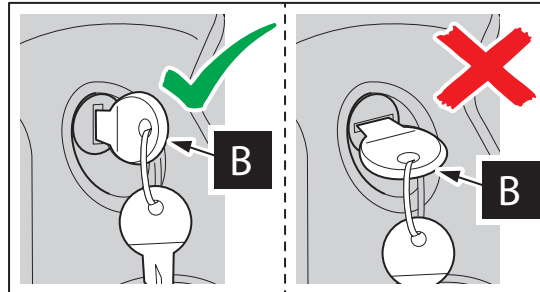
6





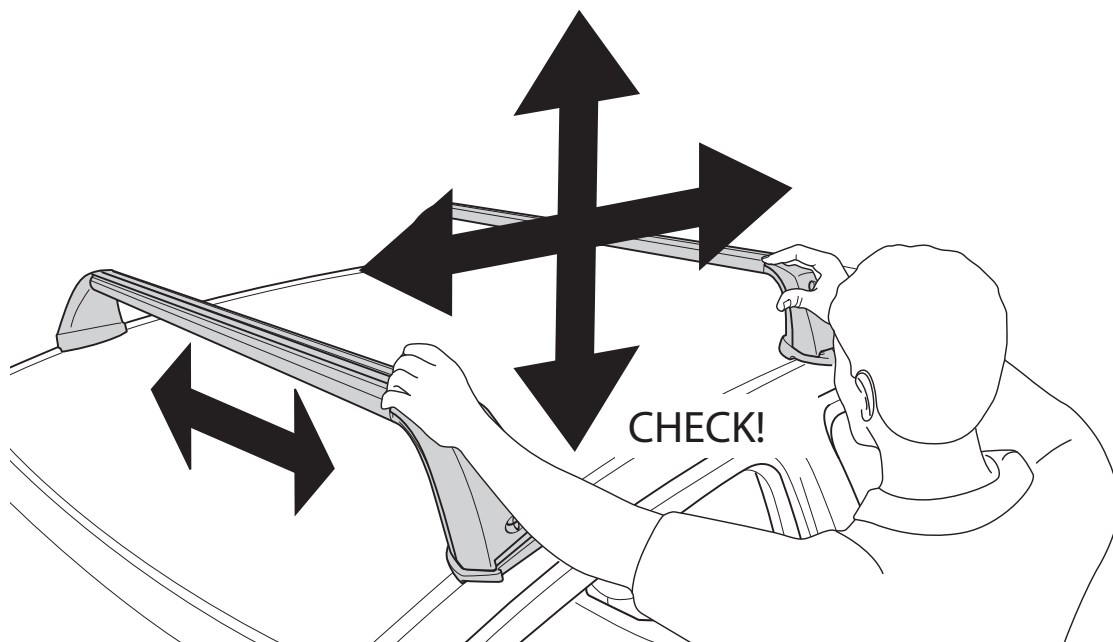
4x

7

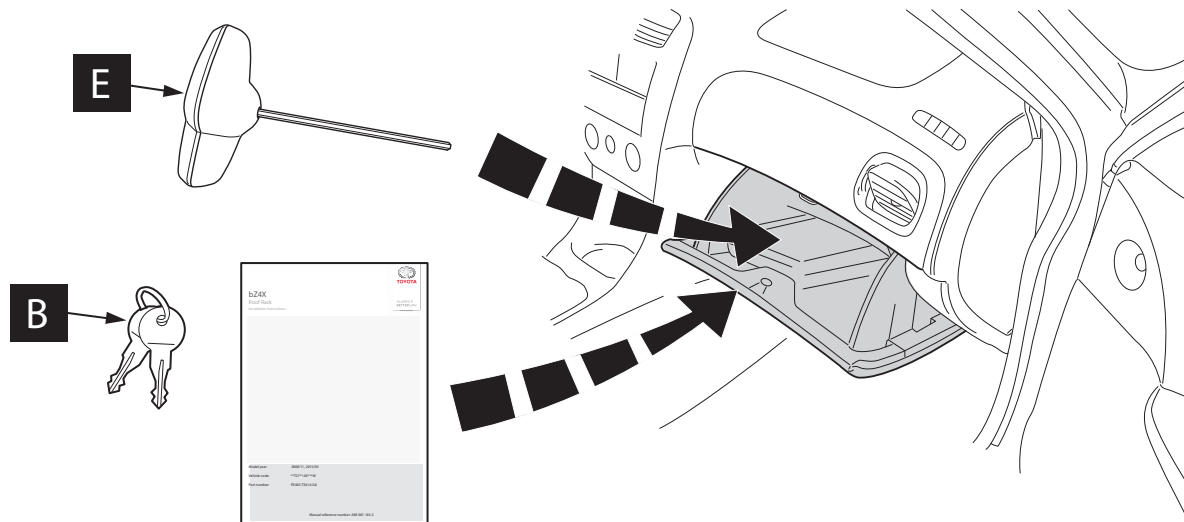


4x

8

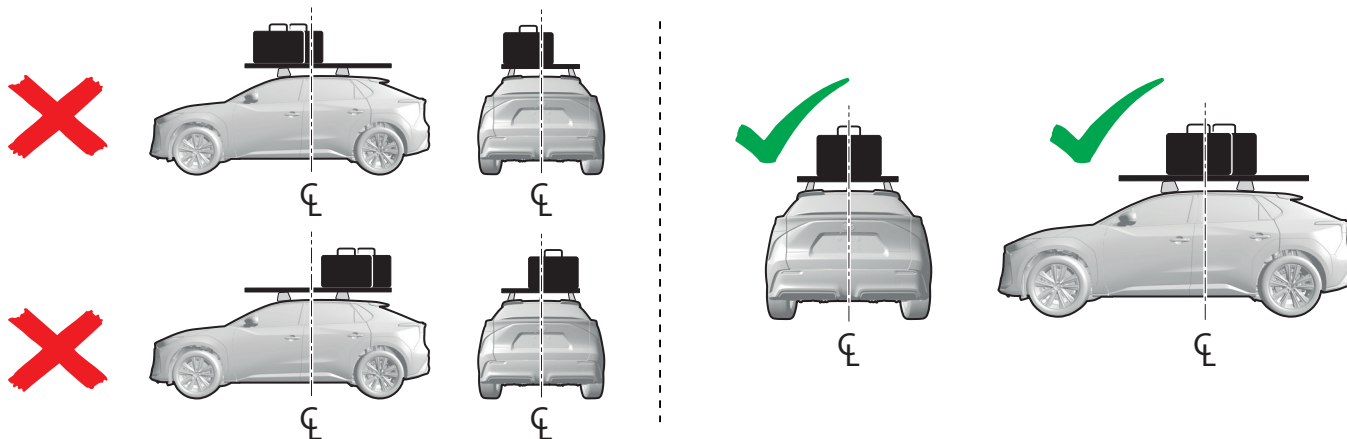


9

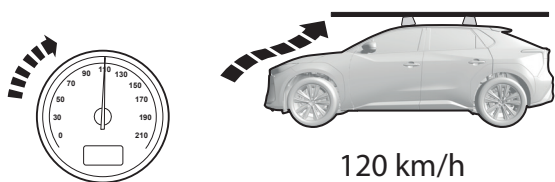


10

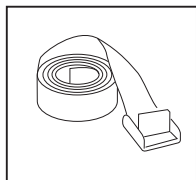
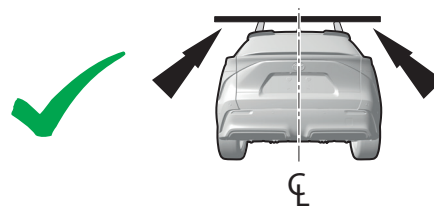
INFO



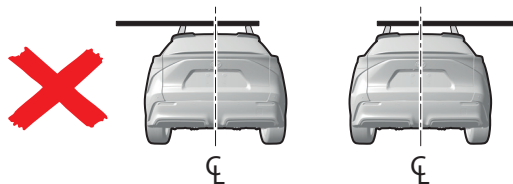
1



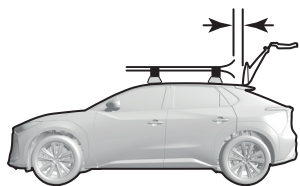
2



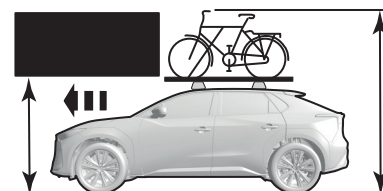
3



4

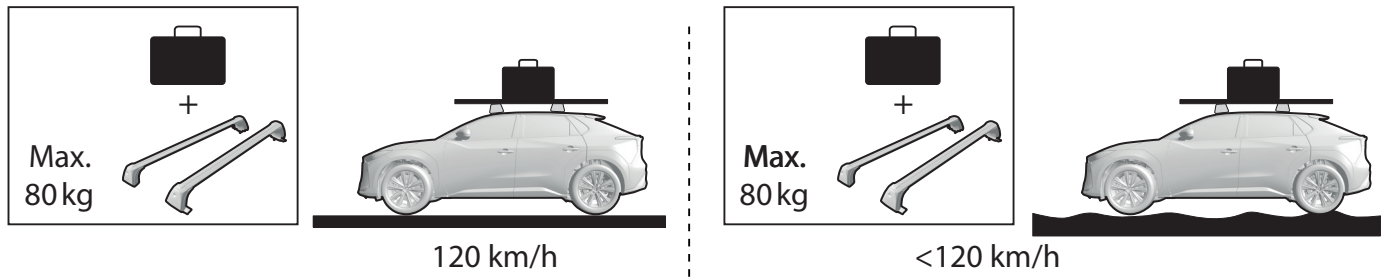


5

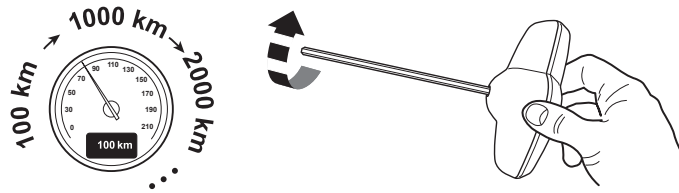


6

INFO



1



2



3