



TOYOTA

ALWAYS A
BETTER WAY

Toyota C-HR

Front under guard and Front guard

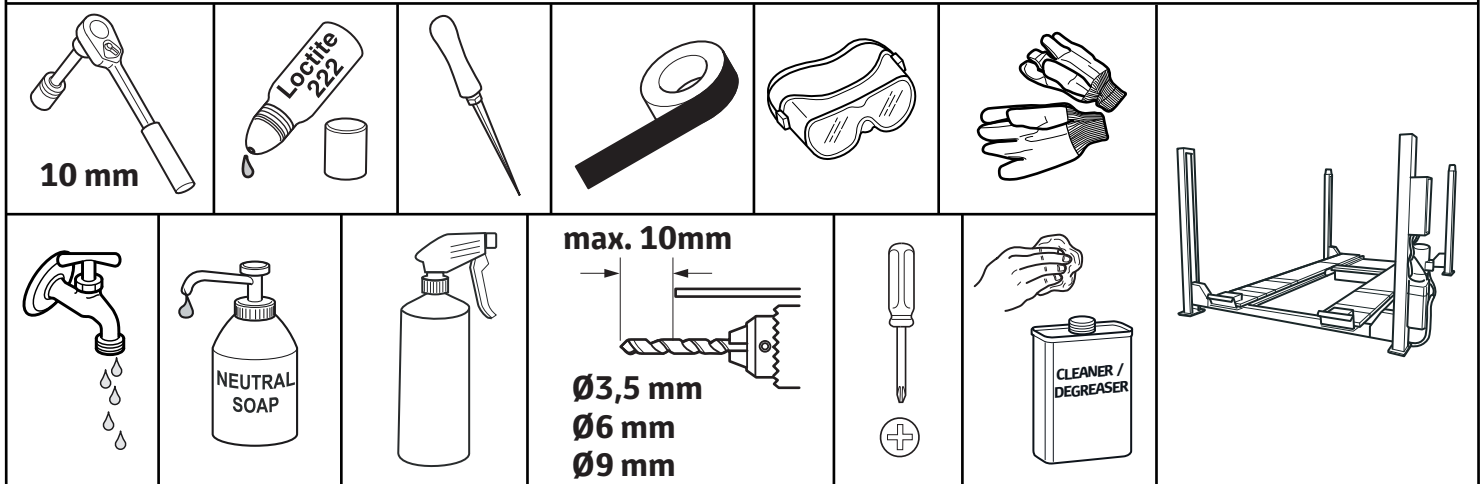
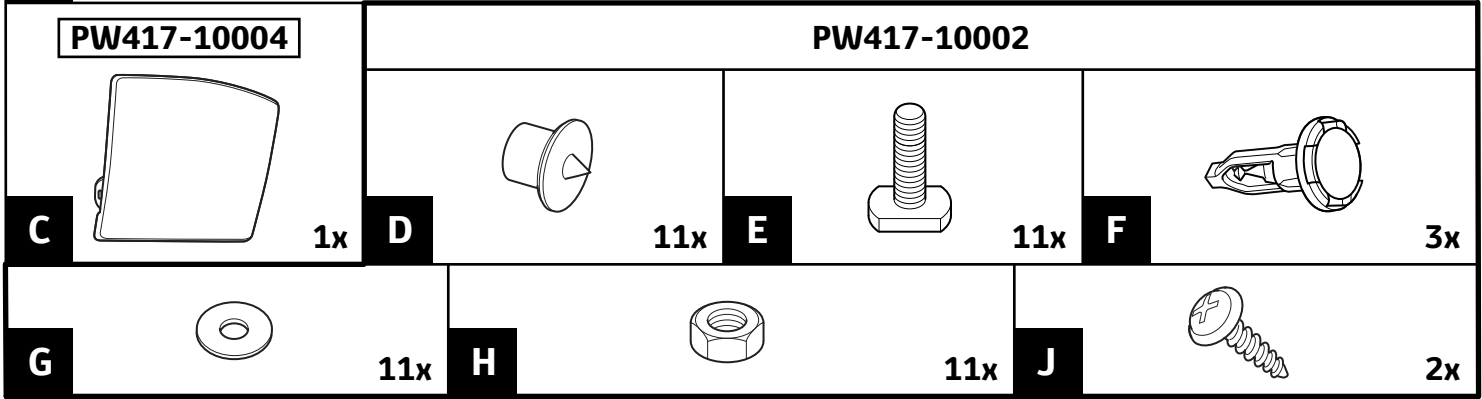
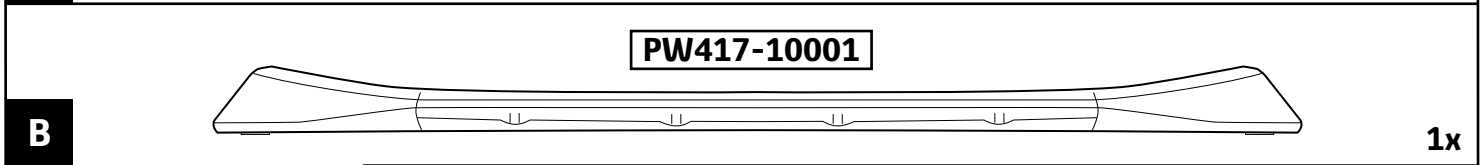
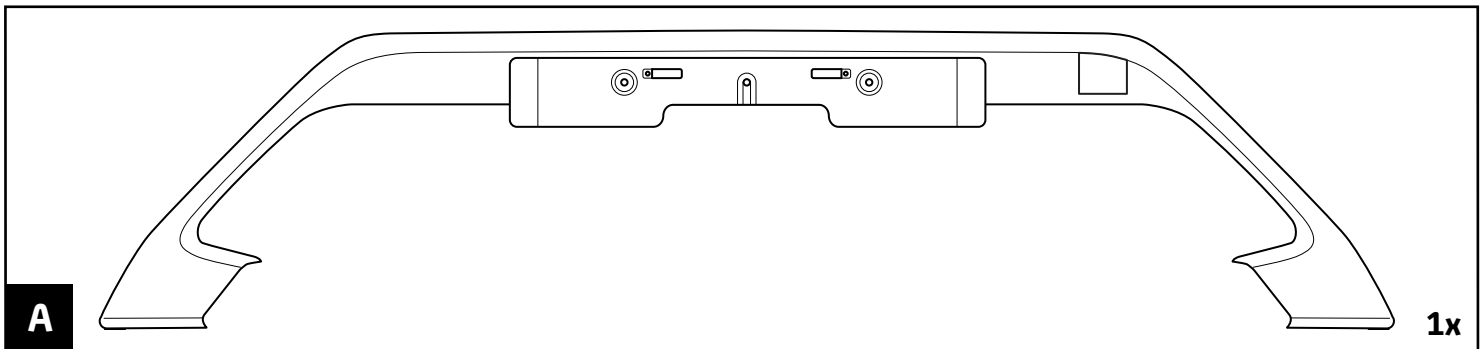
Installation instructions

Model year:	2016/10	
Vehicle code:	**X*0*-AH***W	
Part number:	PW417-10000	Front Guard + Front Under Guard

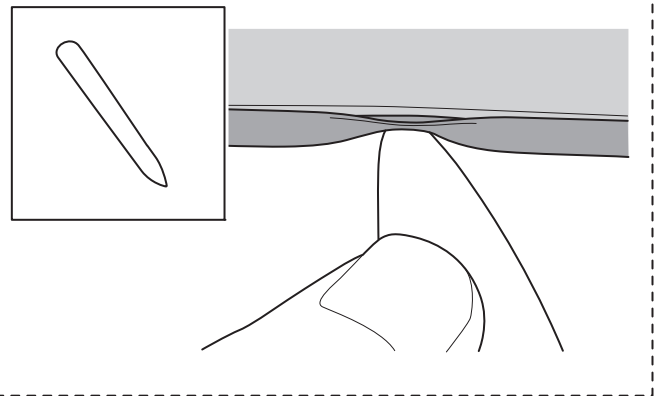
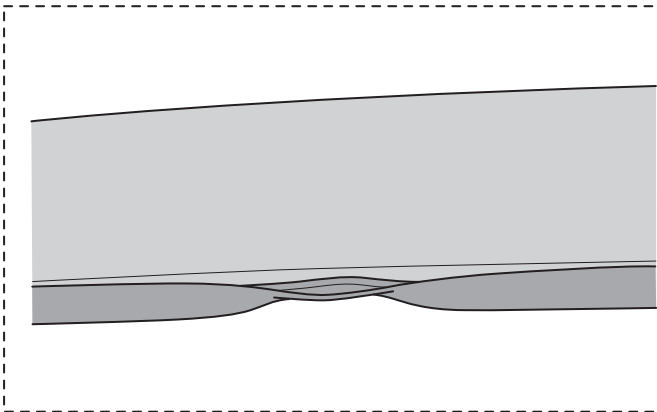
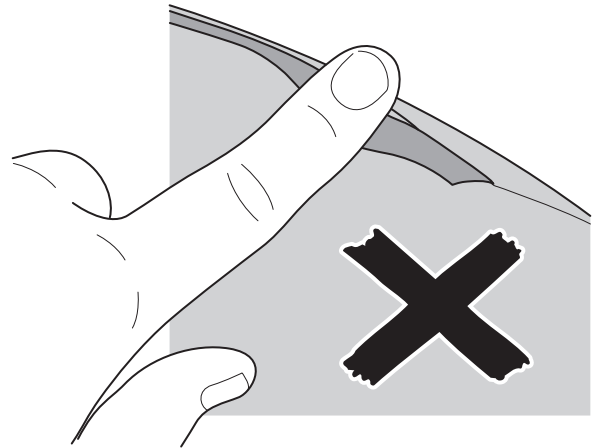
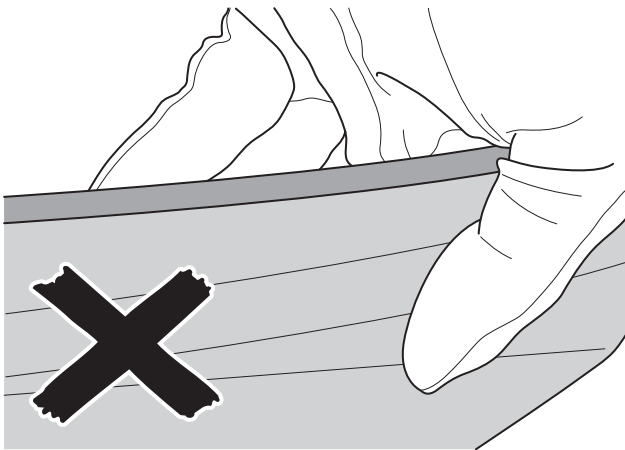
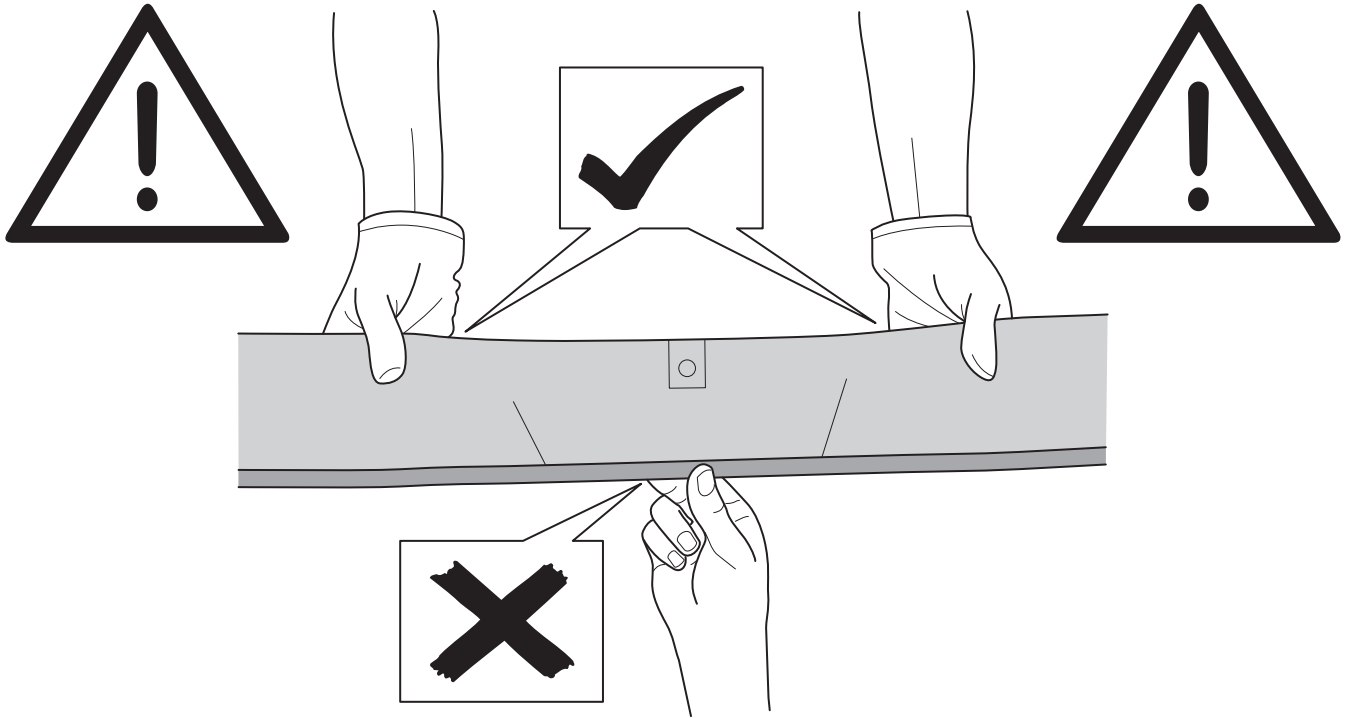
Manual reference number: AIM 003 844 - 2

Revision Record

Rev. No.	Date	Page	Picture	Update	New	Deleted steps
1	21.10.16	1, 2, 5, 6, 7, 8, 9, 10, 11, 12	7, 9, 10, 11, 13, 14, 17, 19, 22, 23, 24, 25, 26	X		
1	21.10.16	4, 5, 10, 11, 12	1, 5, 6, 21, 24, 25		X	
1	21.10.16	2, 15		X		
2	07.03.17	9, 12, 14, 15	16, 26	X		



INFO



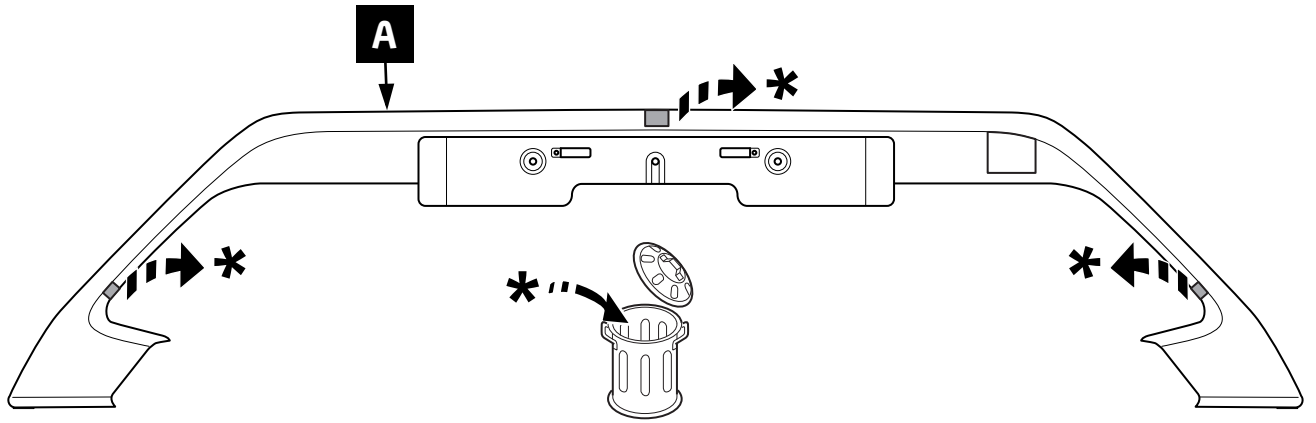


+40°C

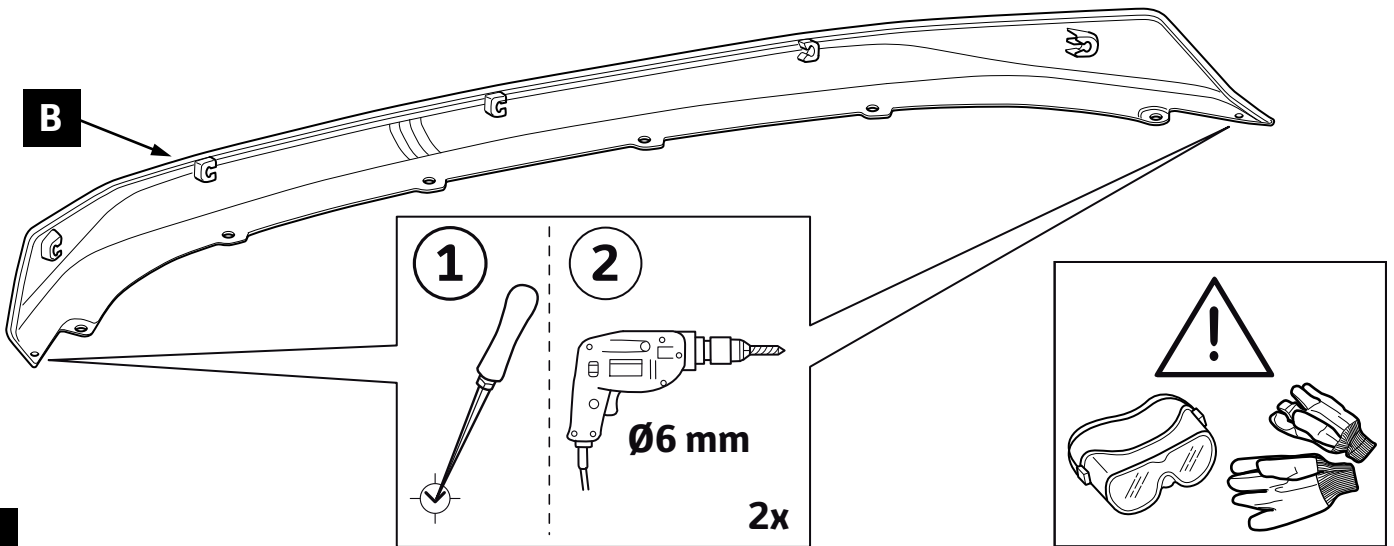
+18°C



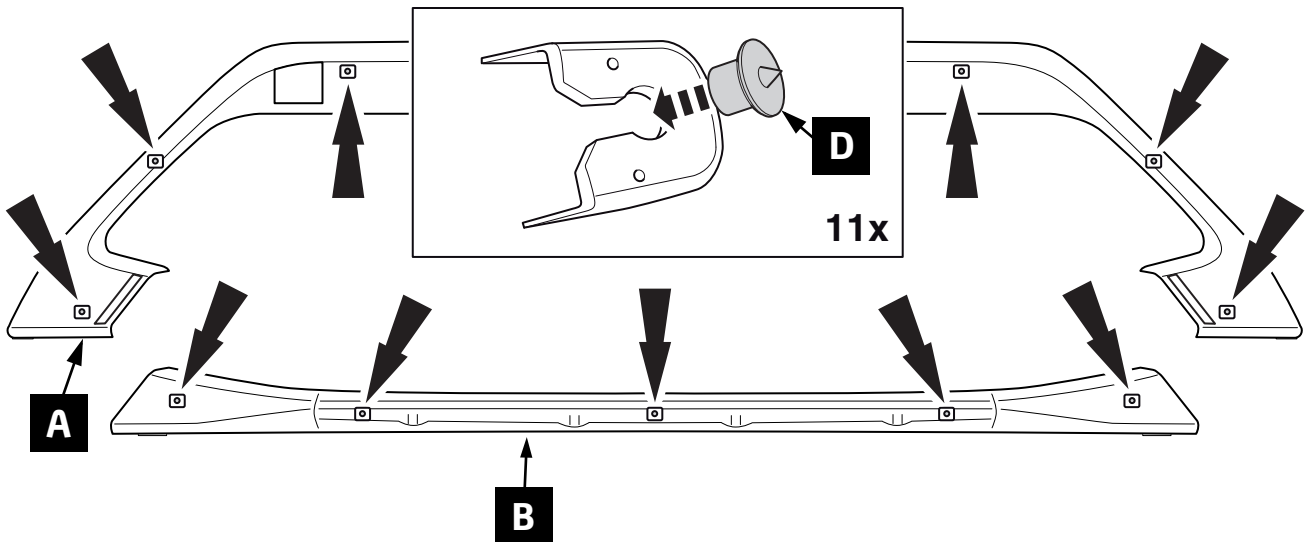
1

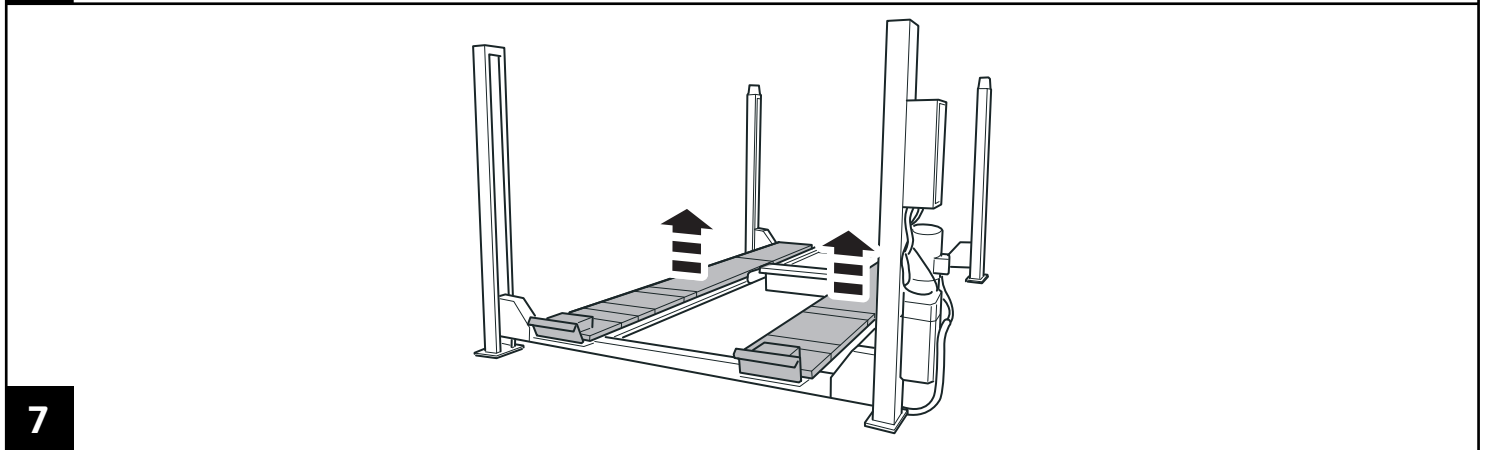
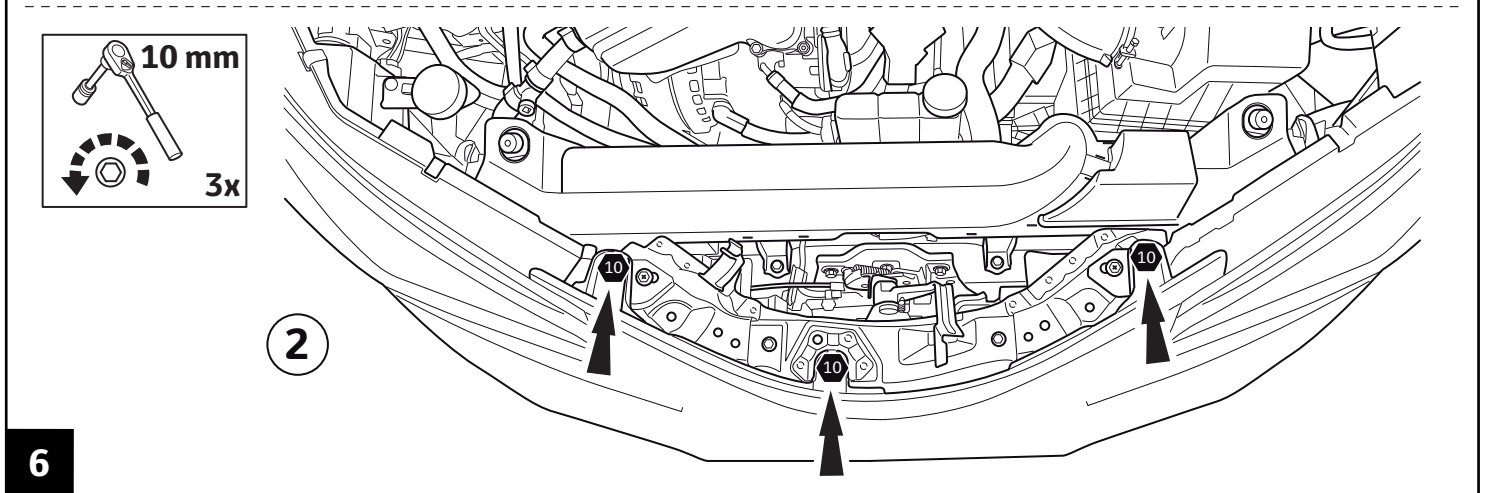
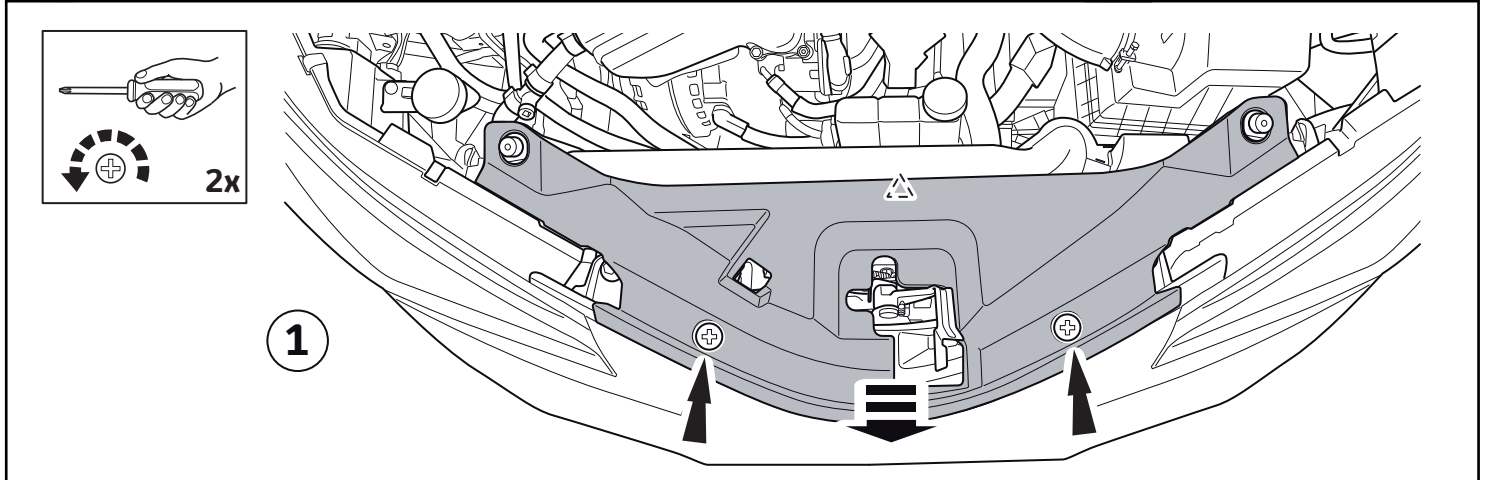
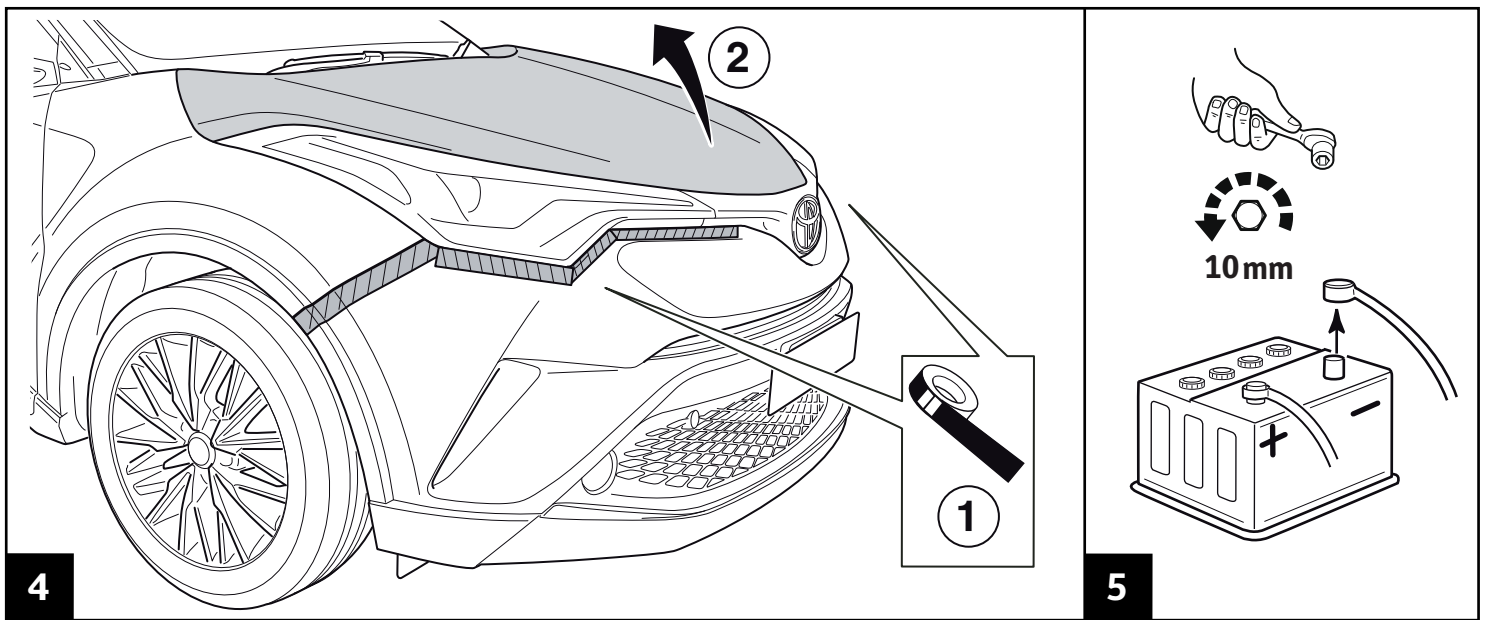


2

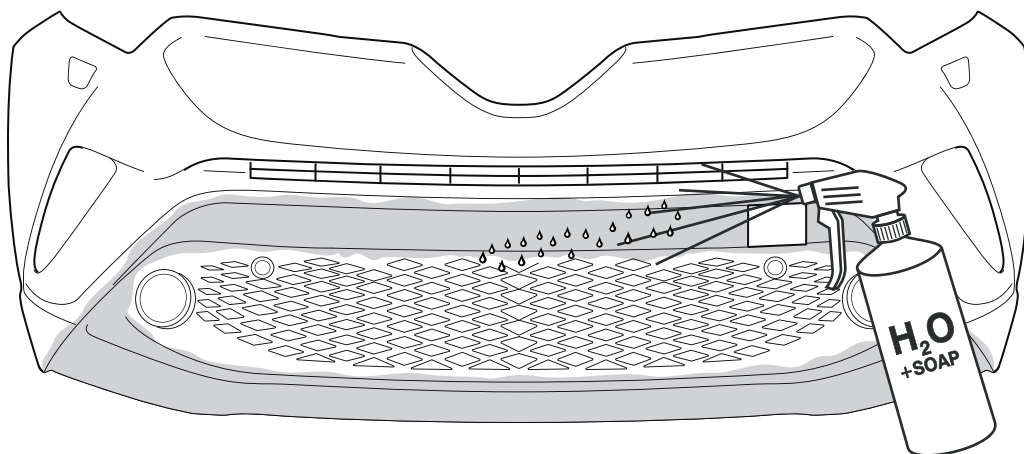
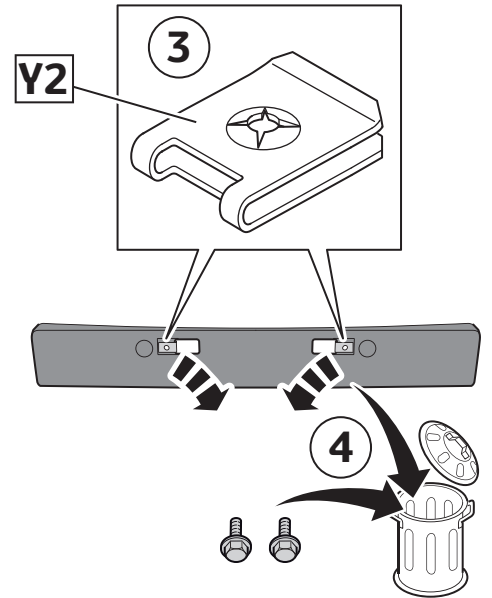
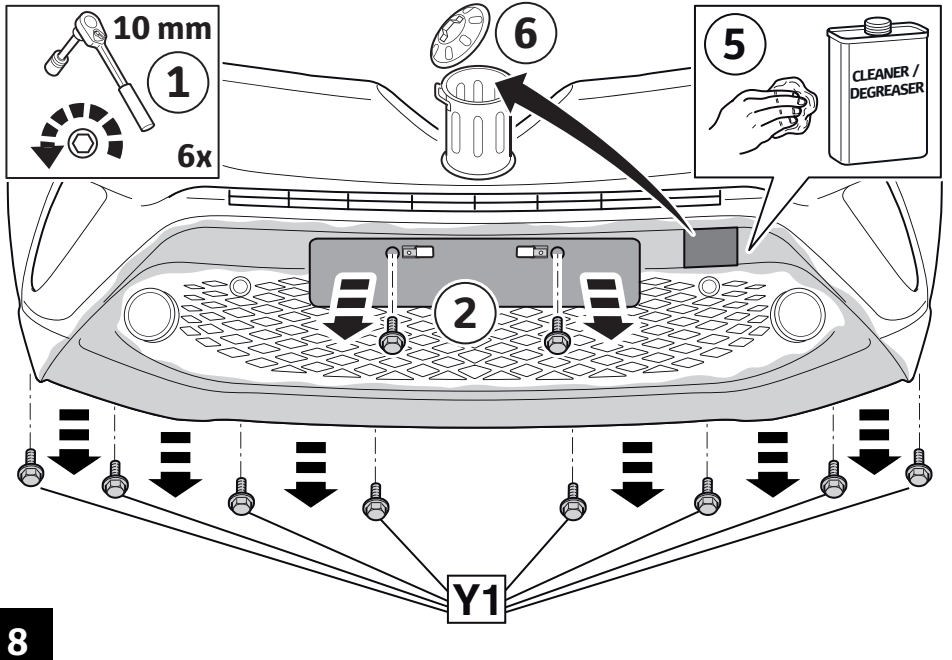


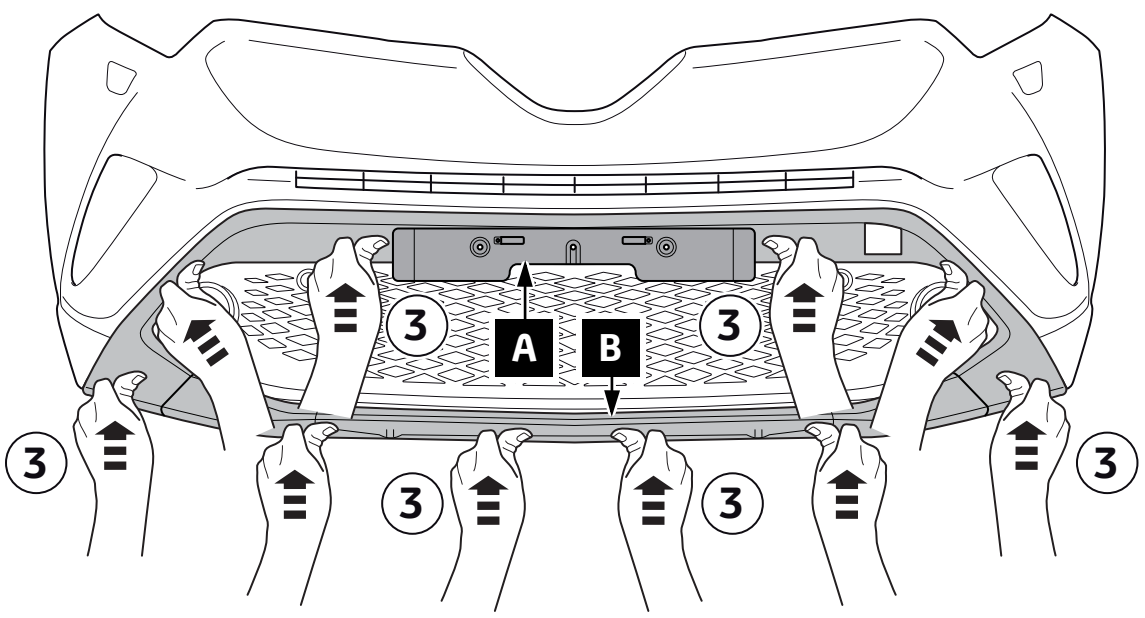
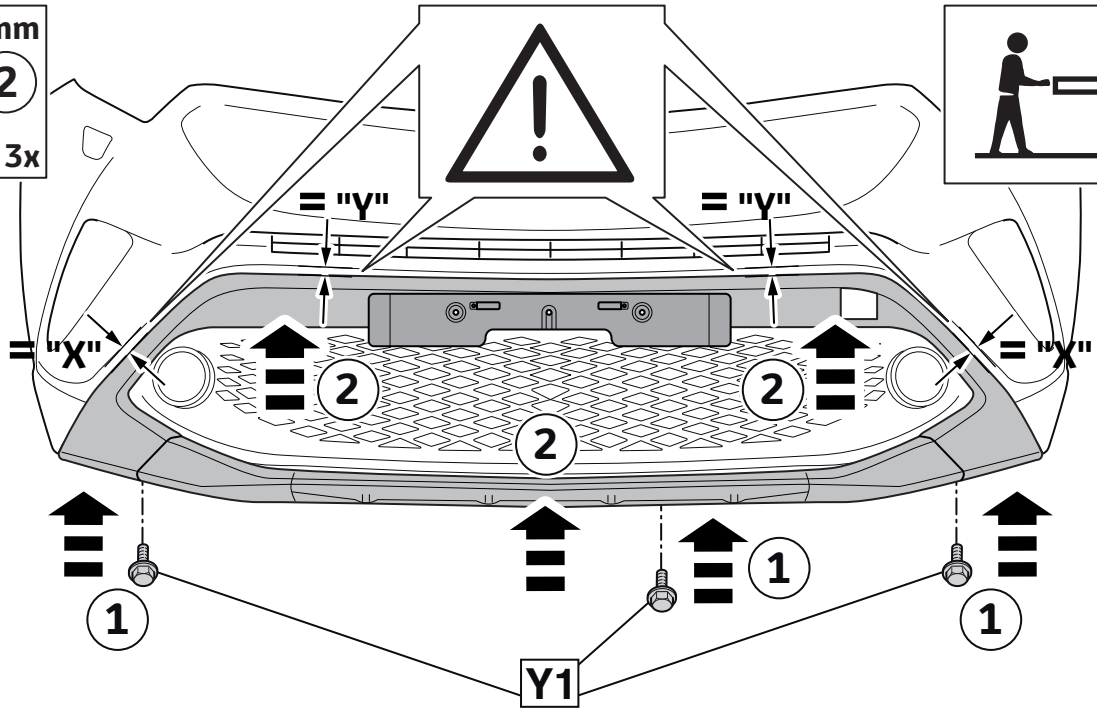
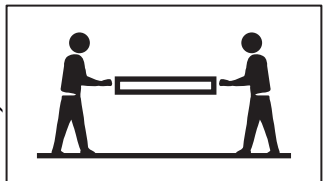
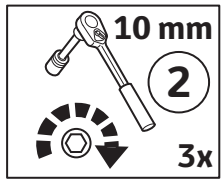
3

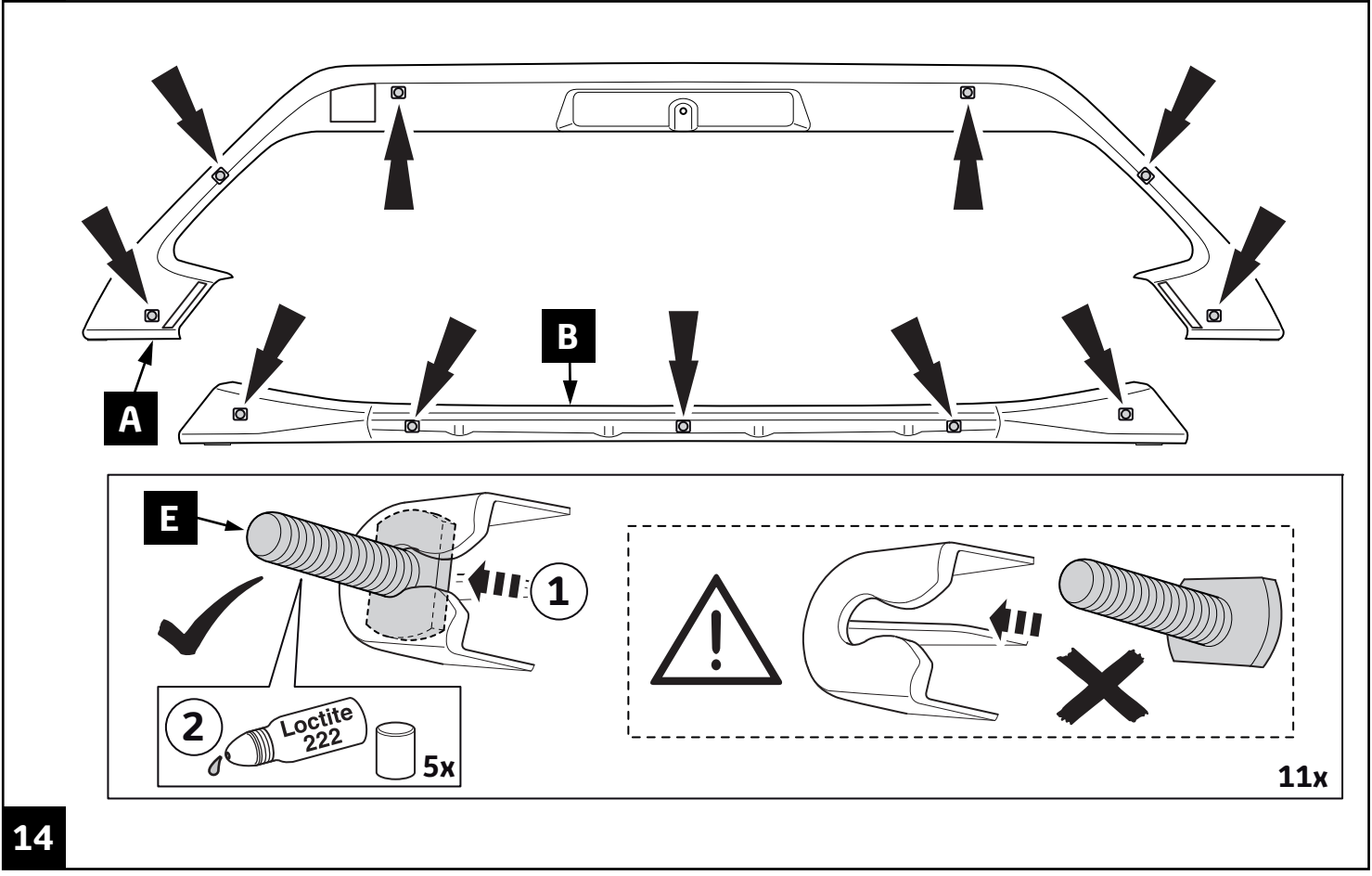
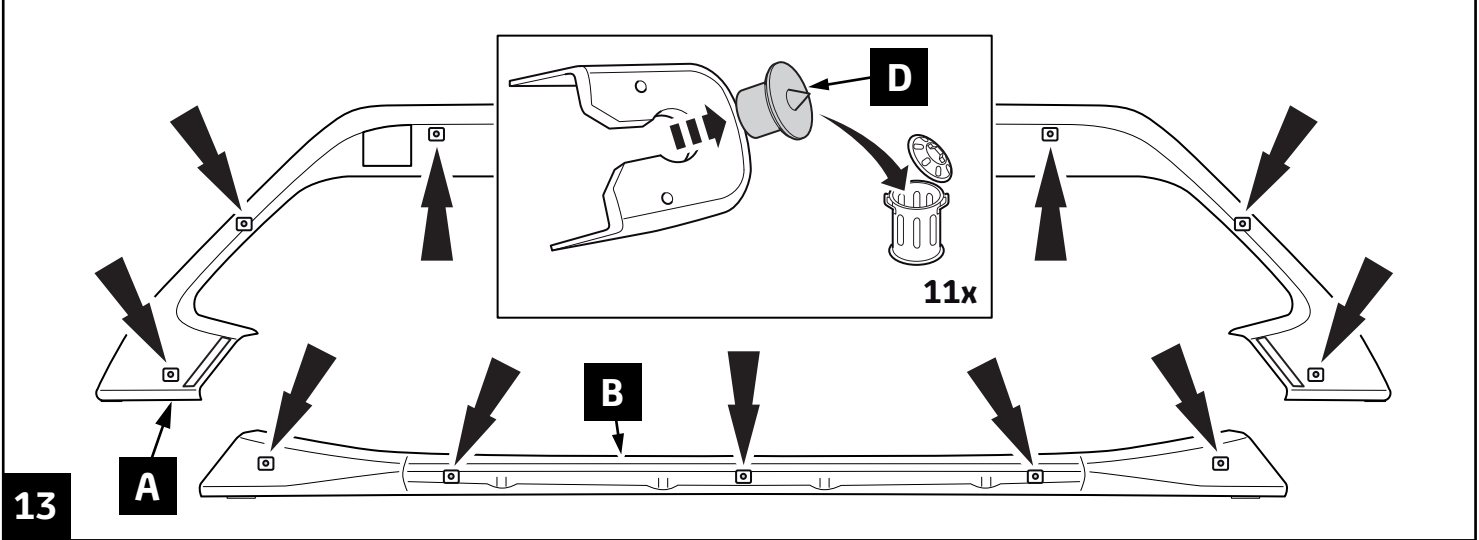
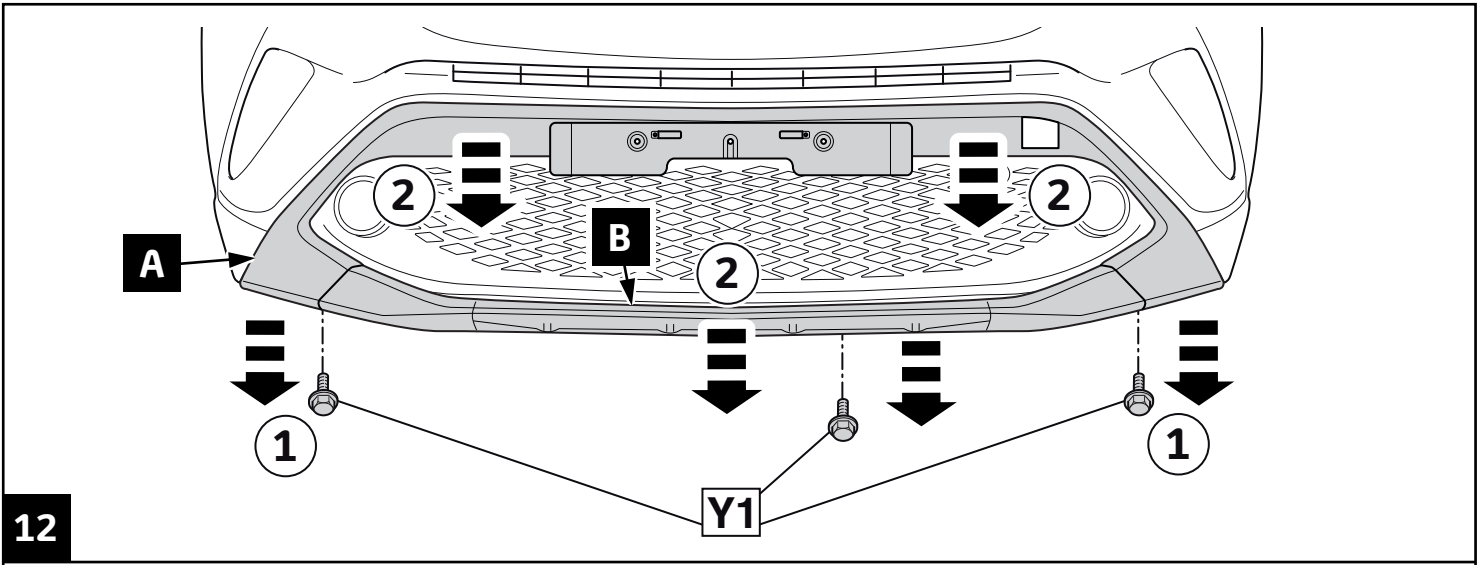


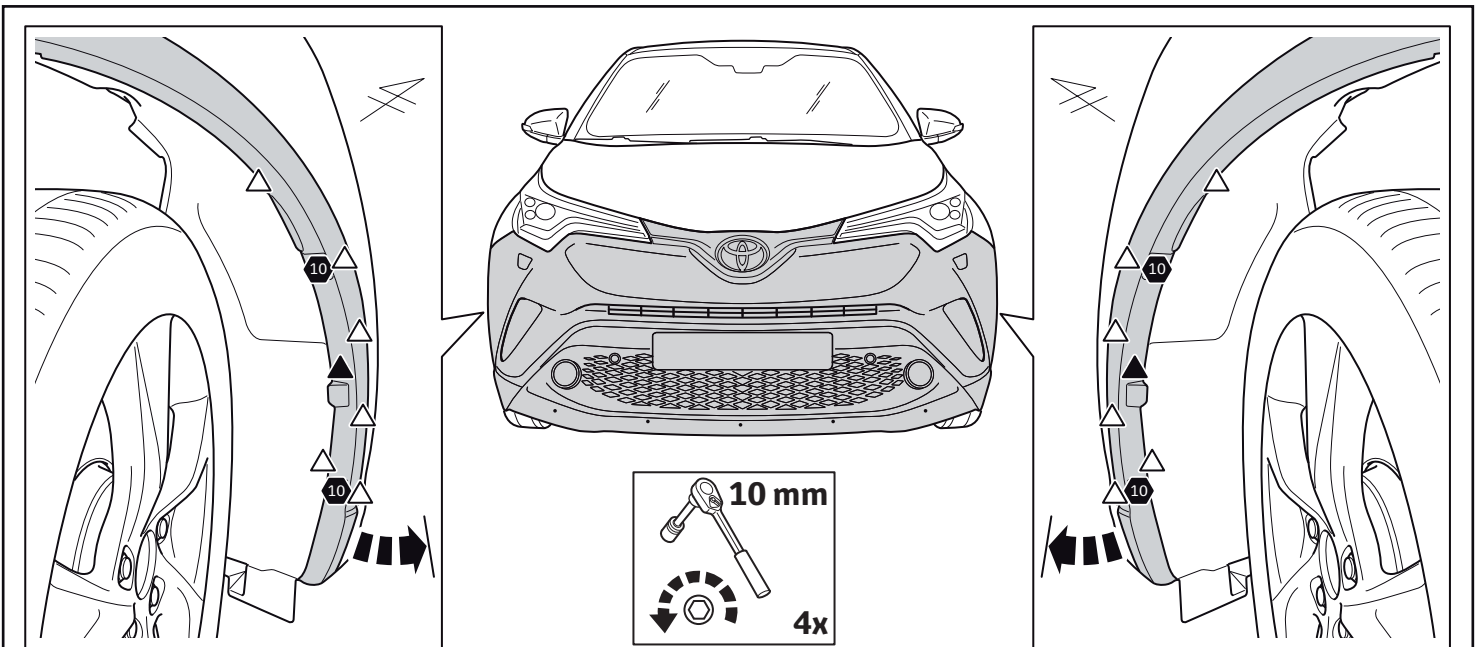


=	=	=	=	=
=	=	=	=	= START

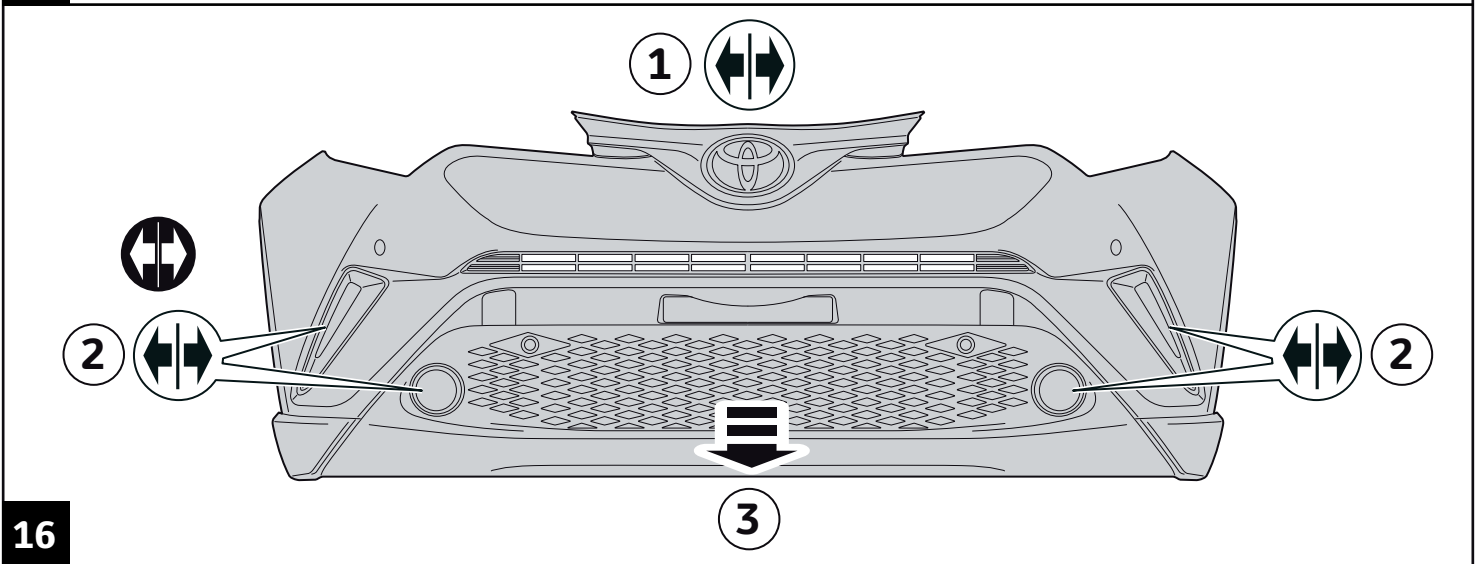




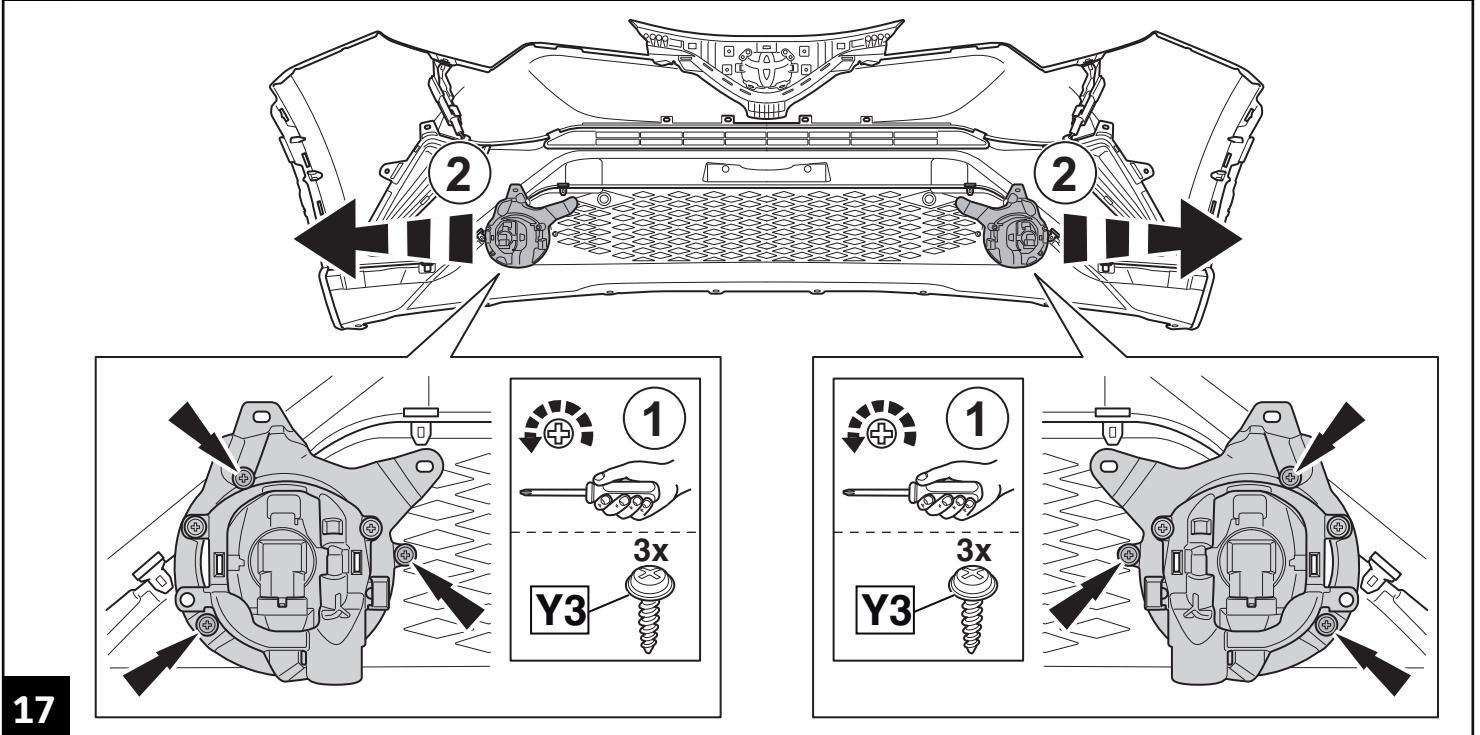




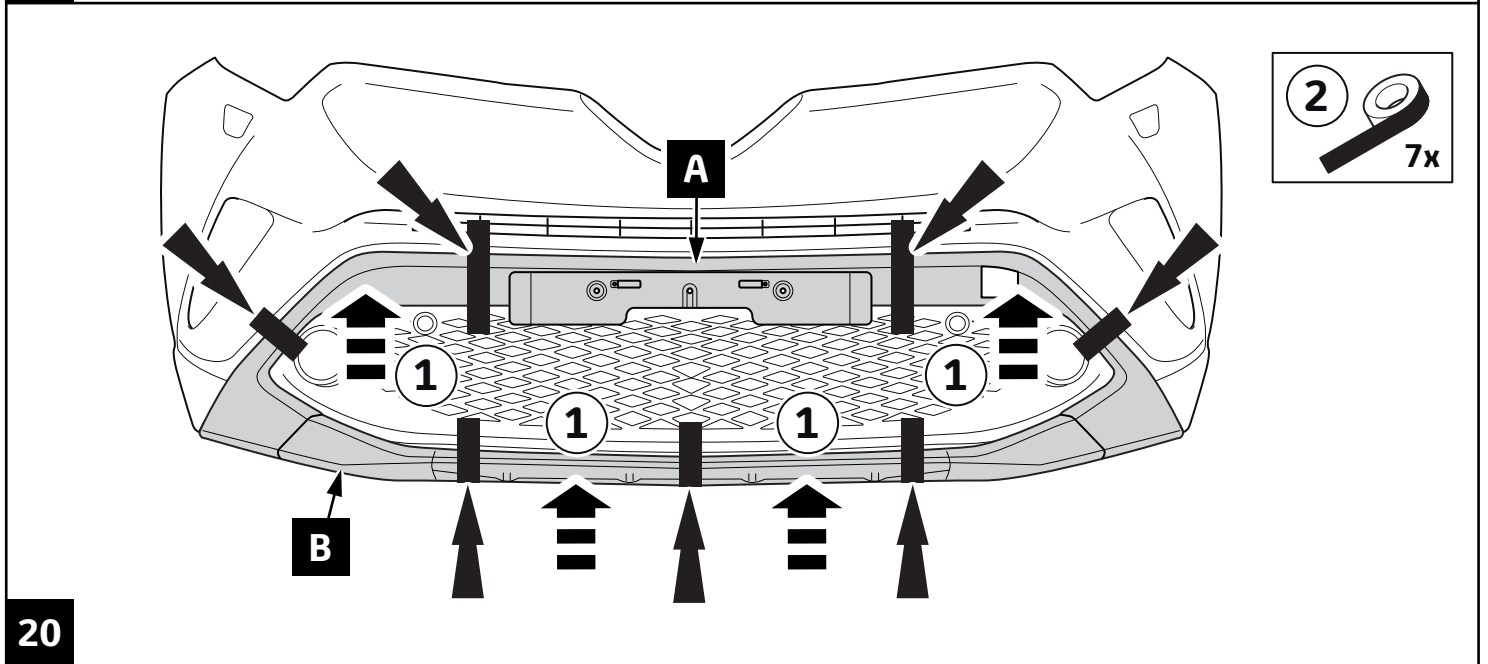
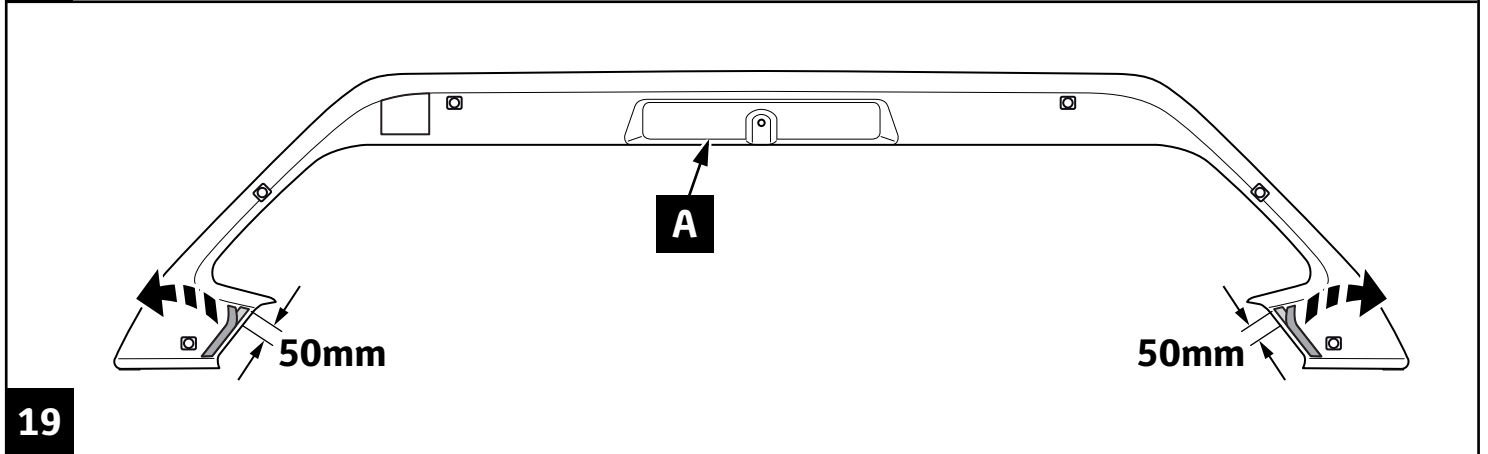
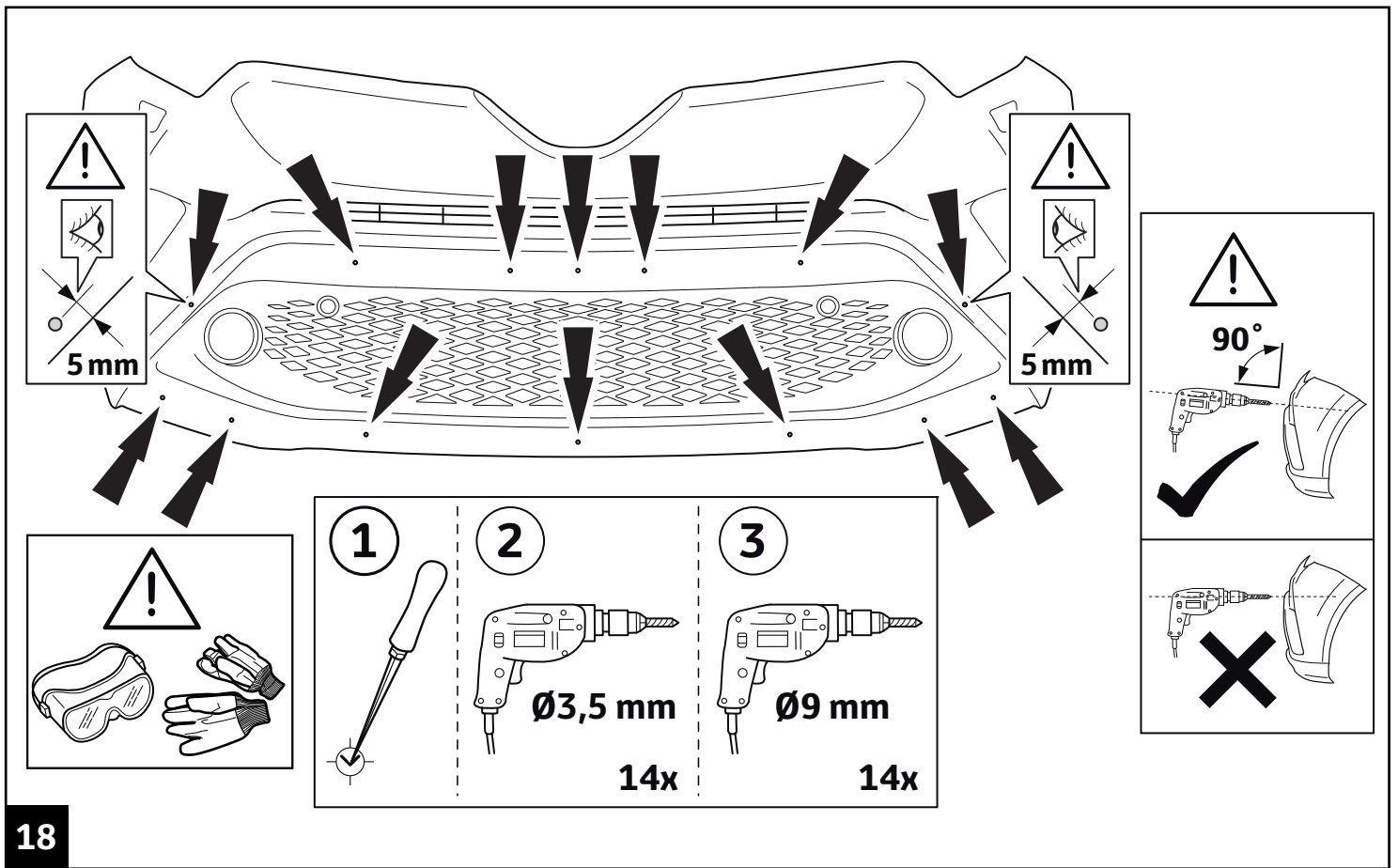
15

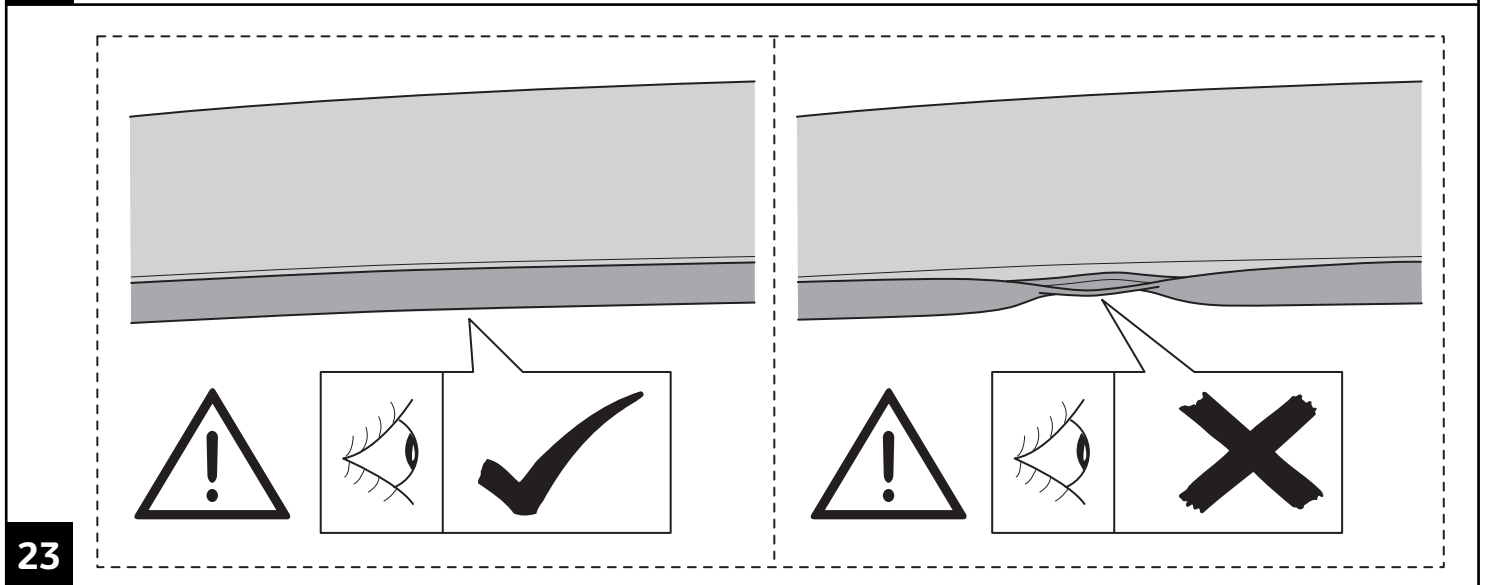
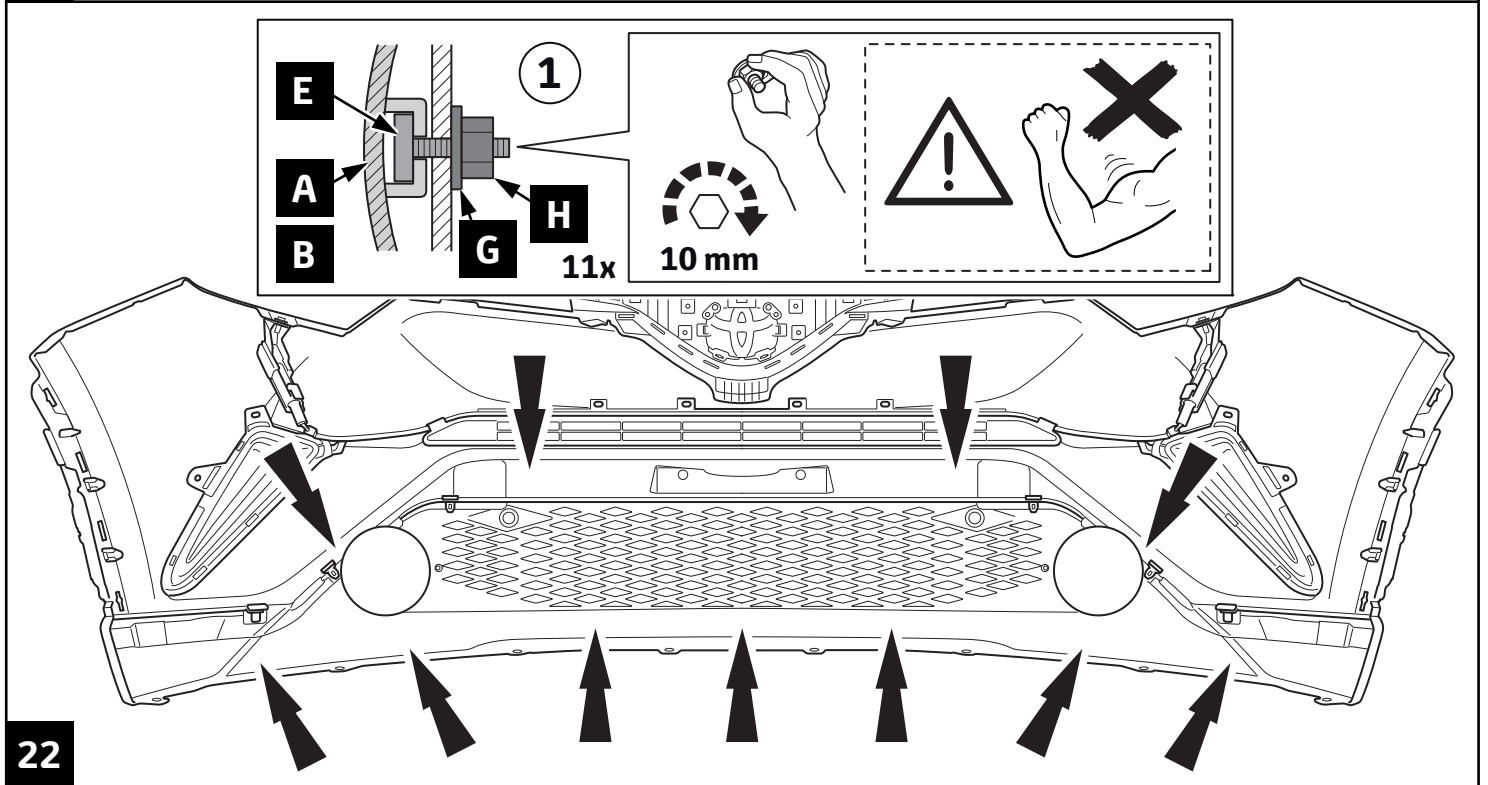
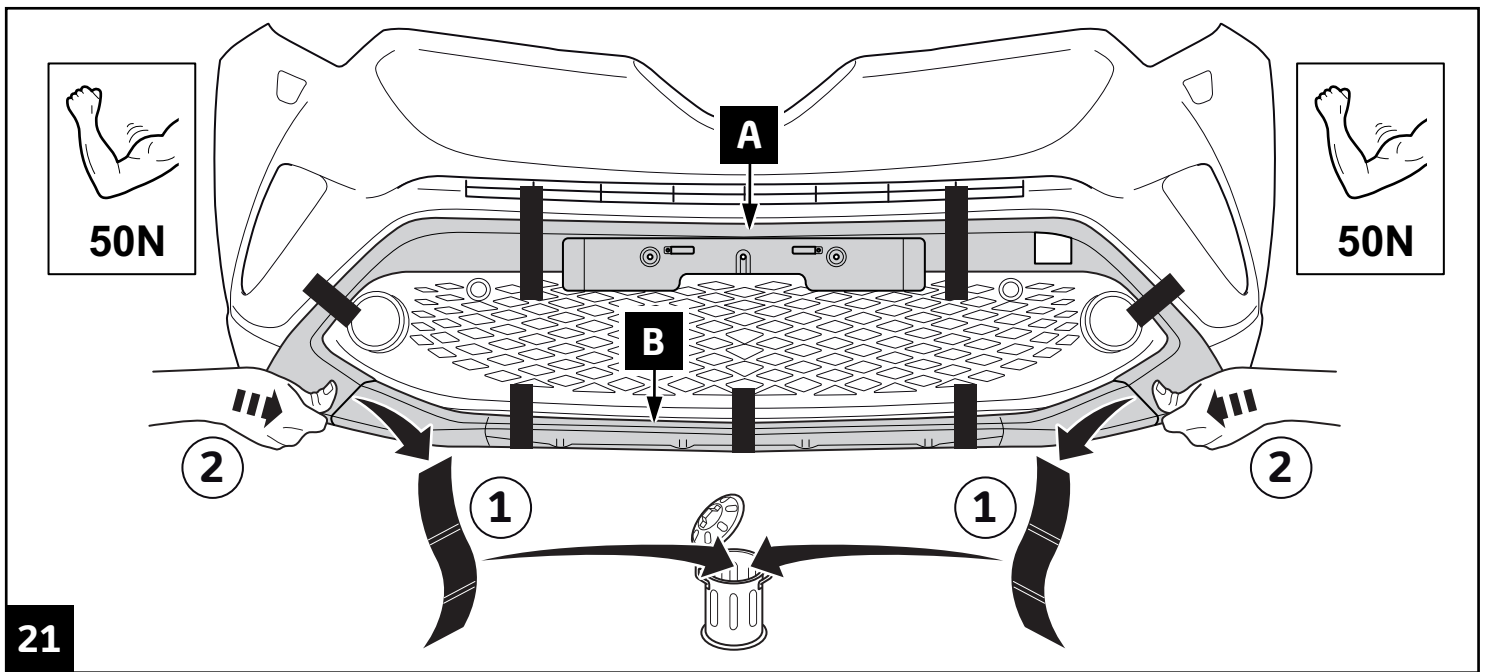


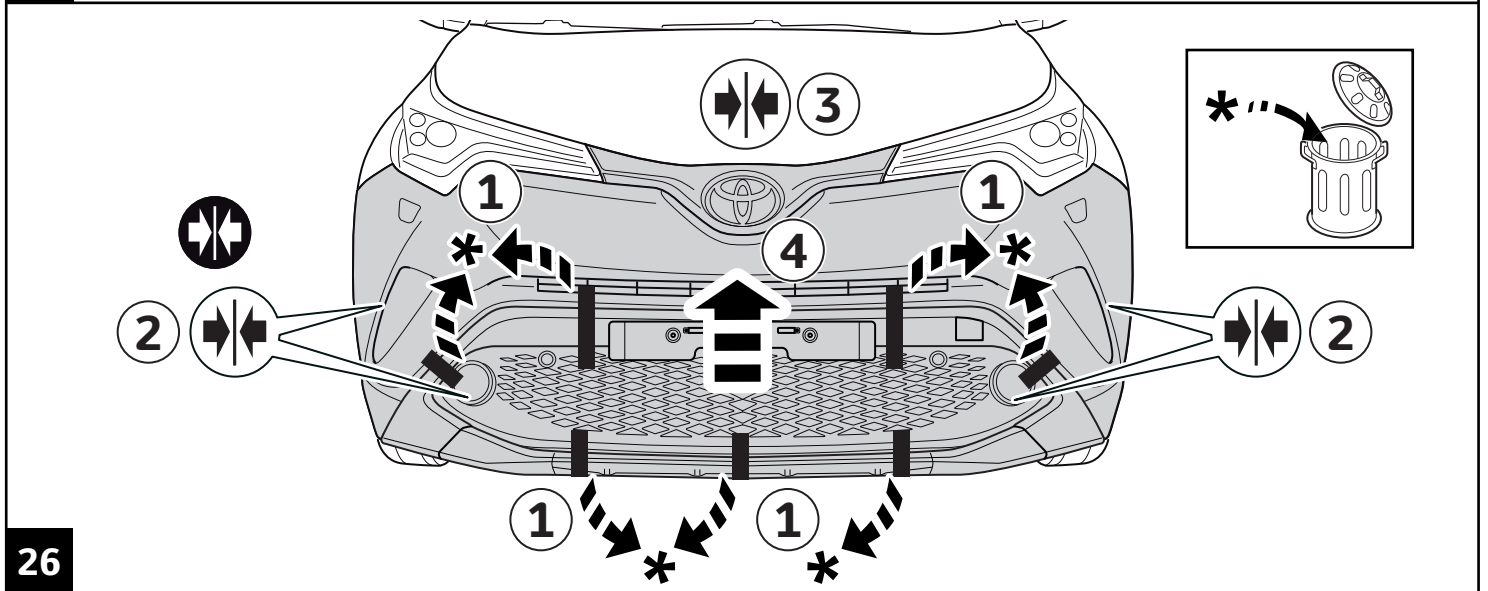
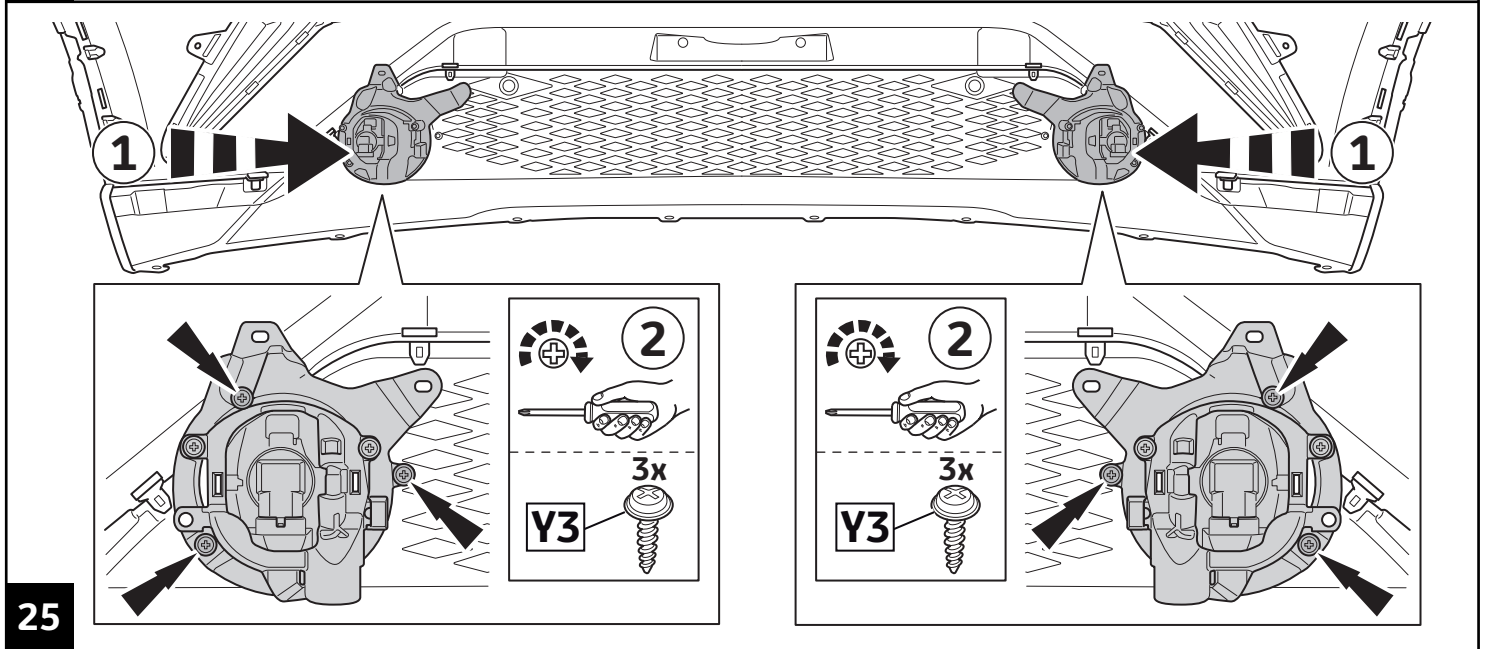
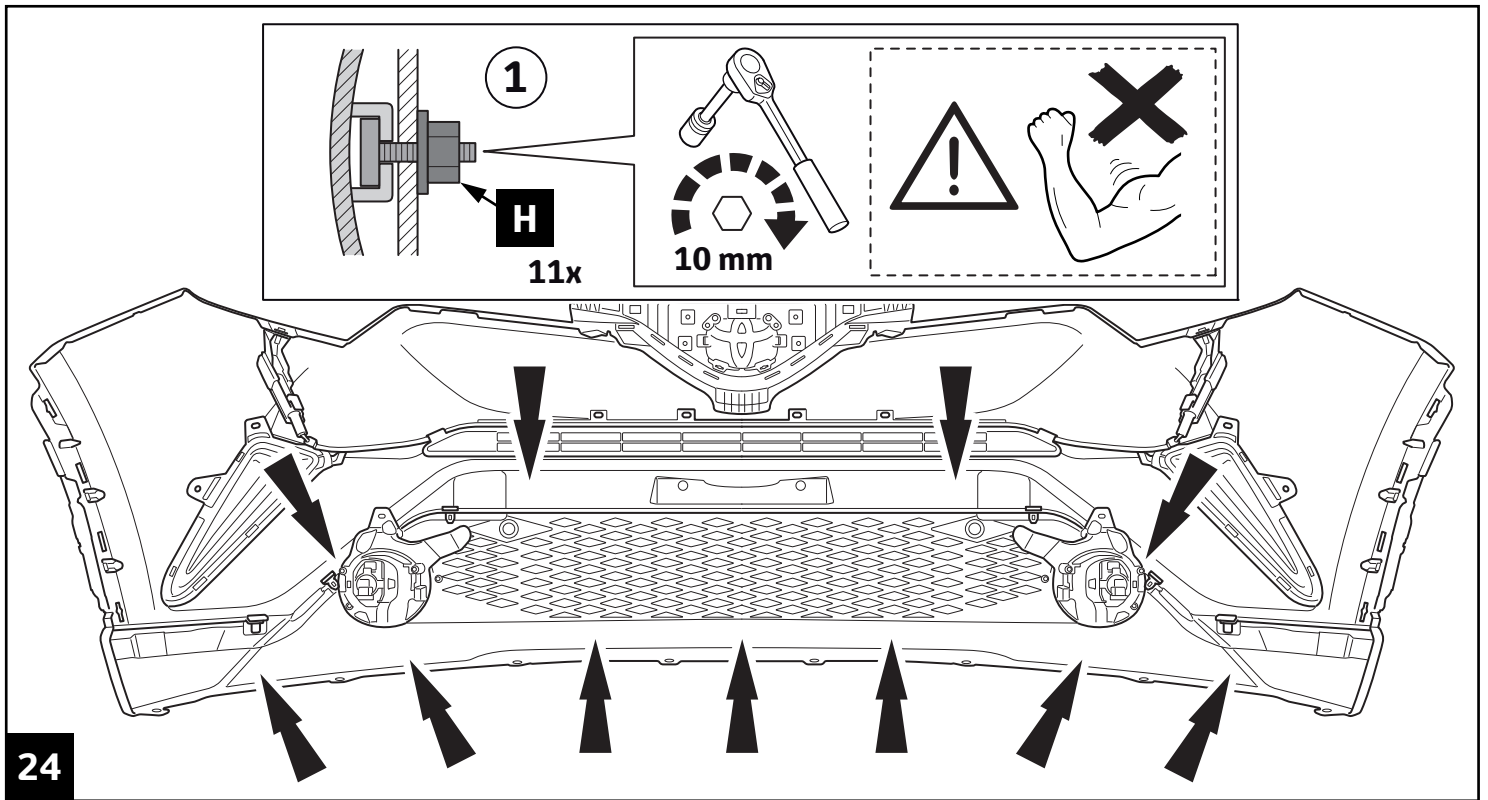
16

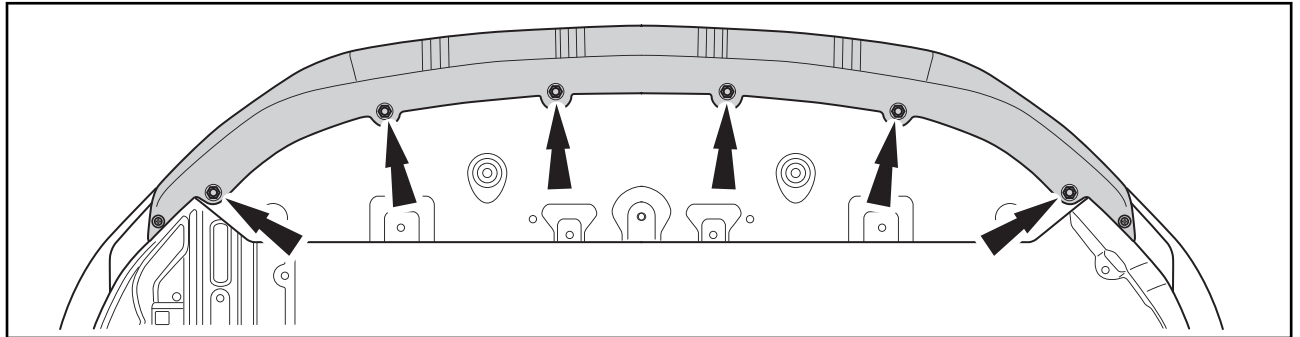
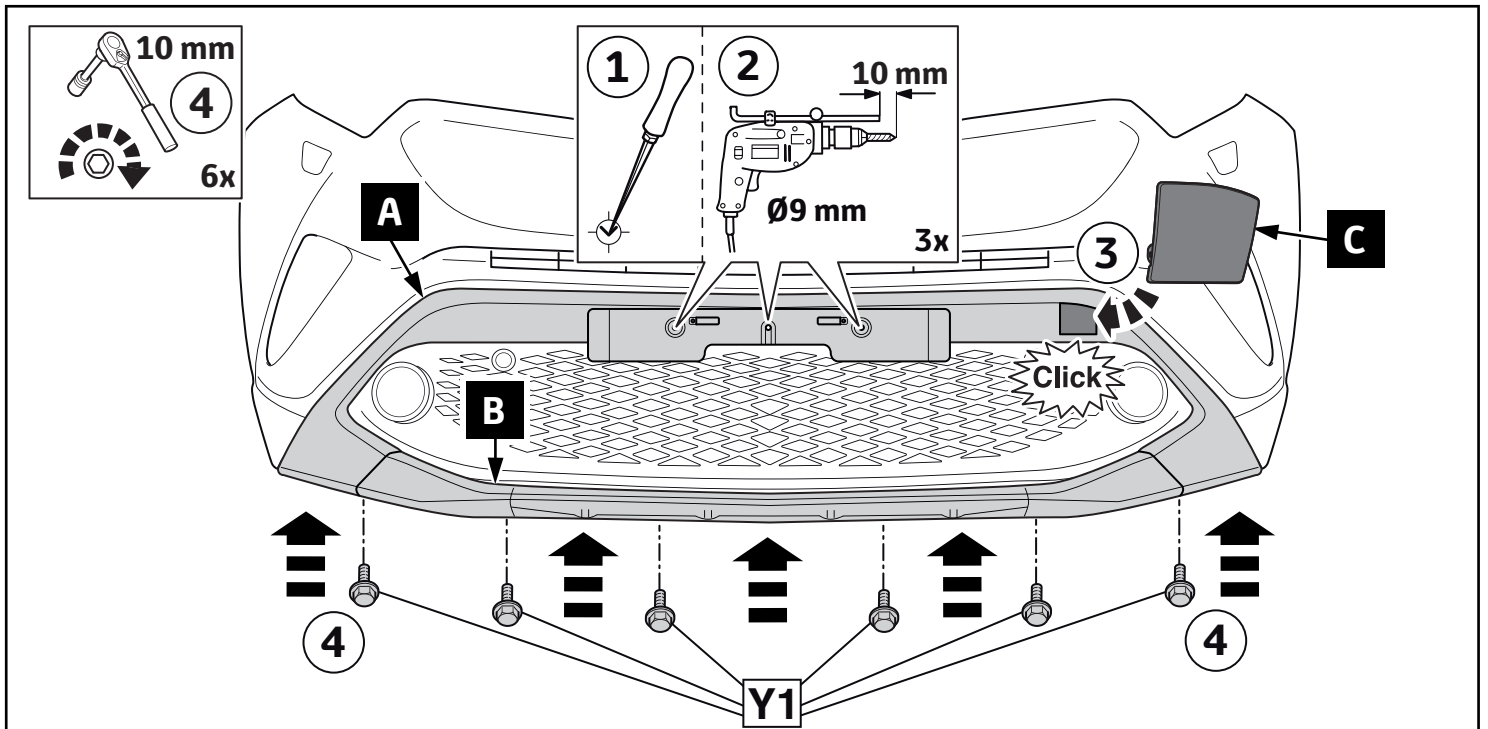


17

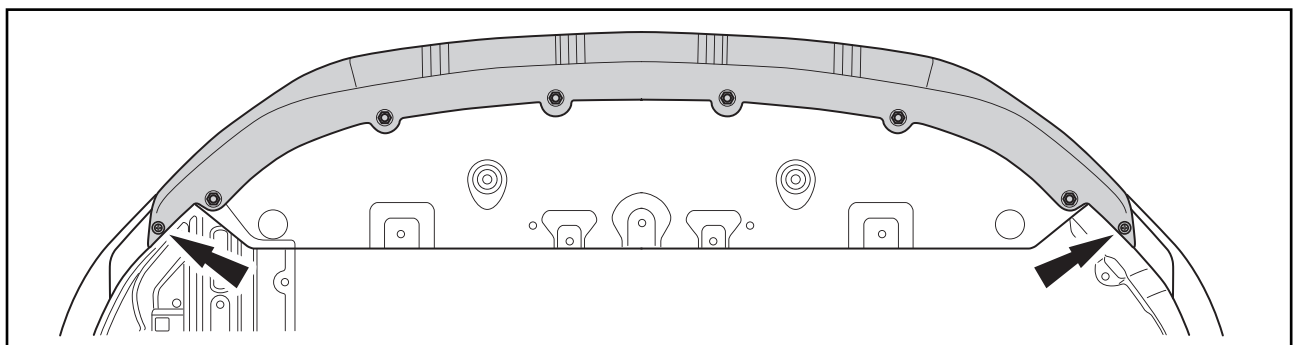
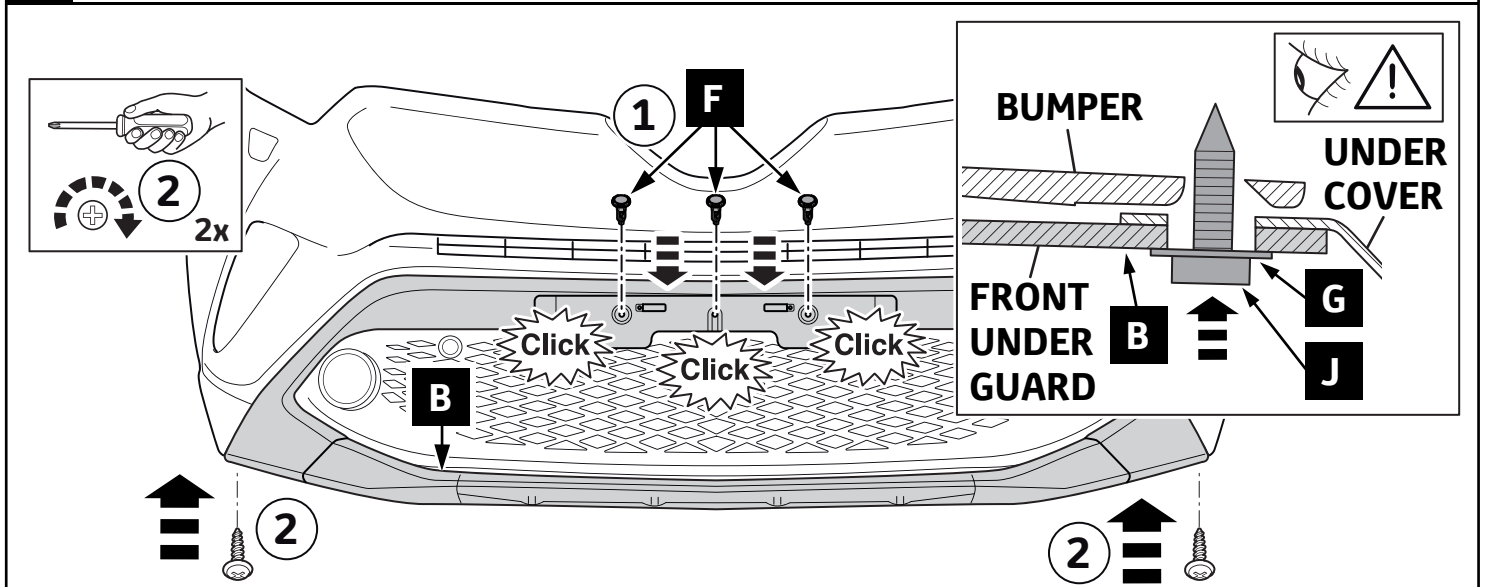




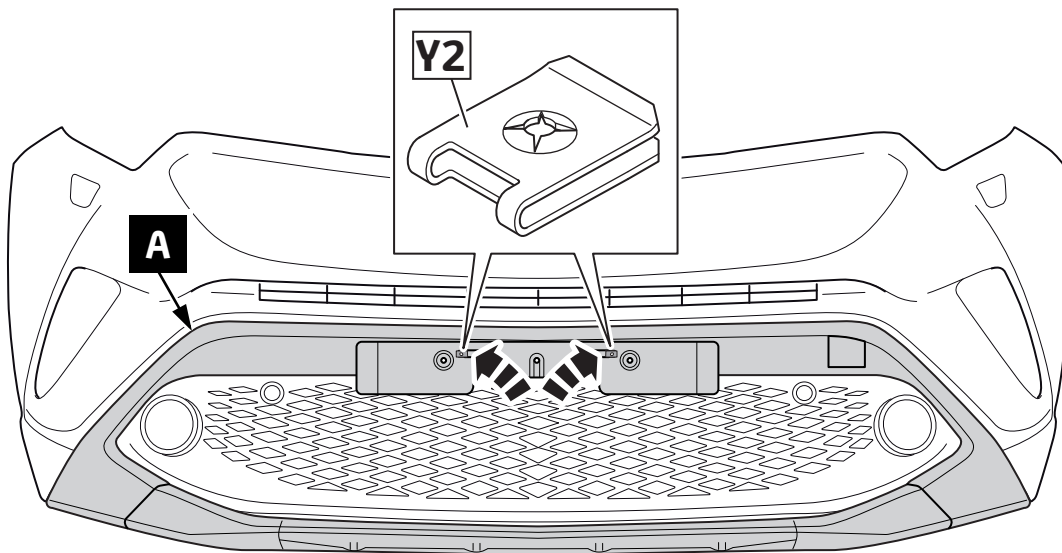




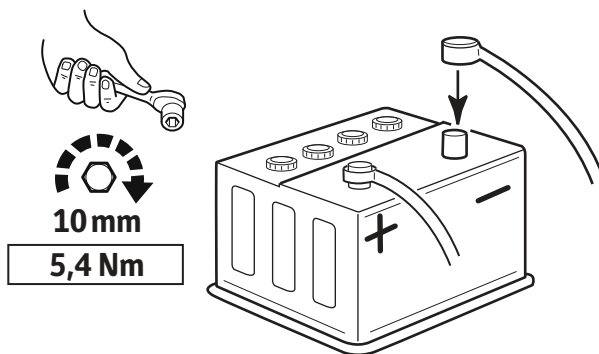
27



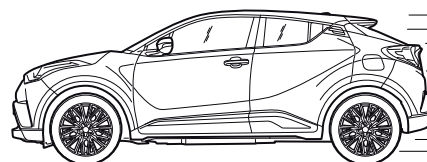
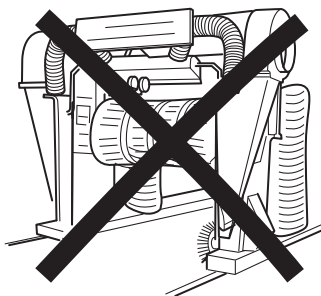
28



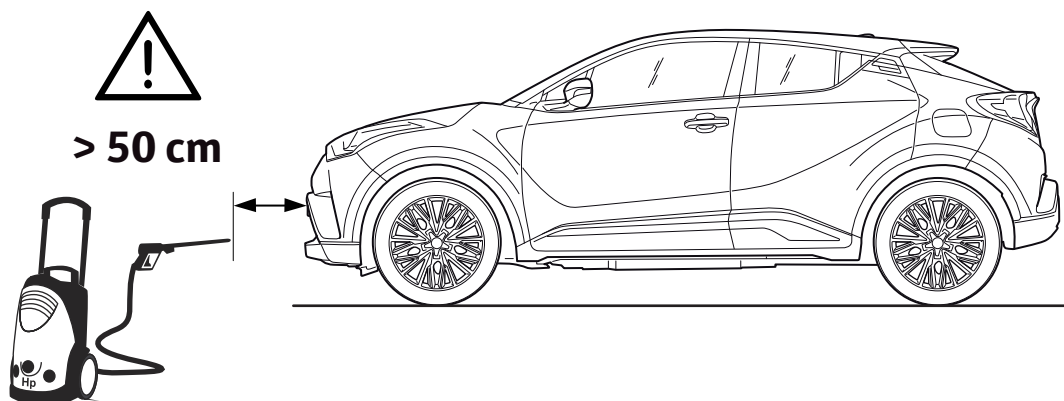
29



30



Max. 90 Km/h



CHECK SHEET



TOYOTA

ALWAYS A BETTER WAY

Model / Year Toyota C-HR
2016/10

**Front Underguard &
Front Guard**

VIN n°

P/N = OK

5,4 Nm

Serial Number

⊘

✓ ✗

No DTC = OK

"X" **"Y"** **"Y"** **"X"**

T1/T2/T3/T4

Beep

= OK

Installation Date:
.. / .. / ..

Technician Name & Signature:

Stamp: