



TOYOTA

ALWAYS A
BETTER WAY

Highlander

Side Steps

Installation Instruction

Model year: 2013/11

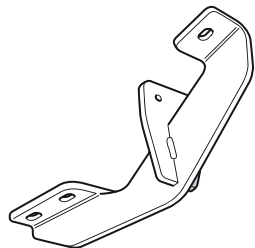
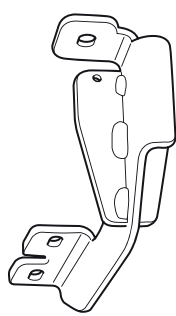

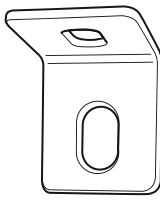
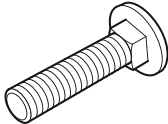
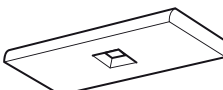
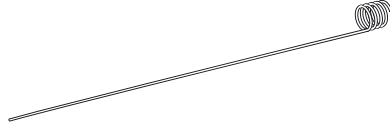


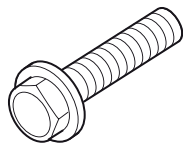
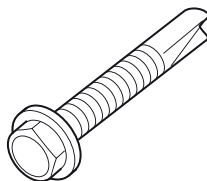
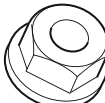

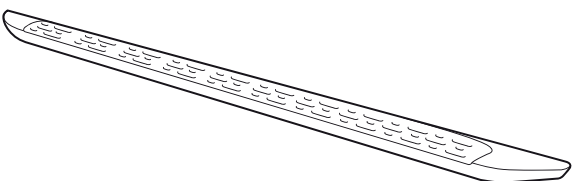
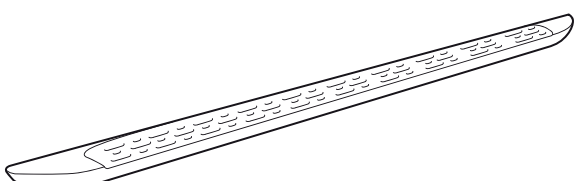
Vehicle code: *SU50*-ART*KX

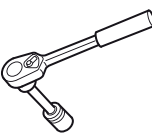


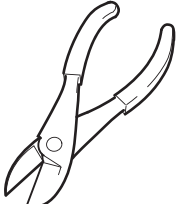
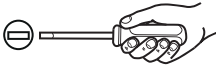



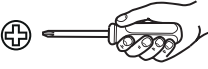
Part number: PT938-48140

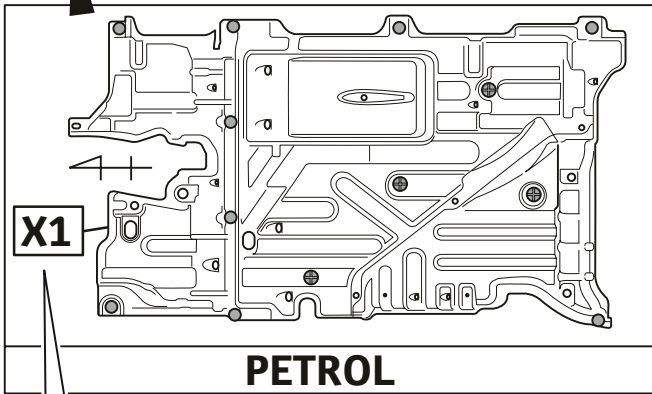
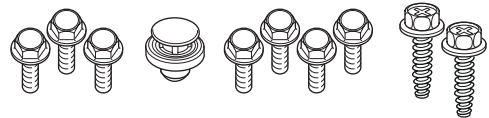
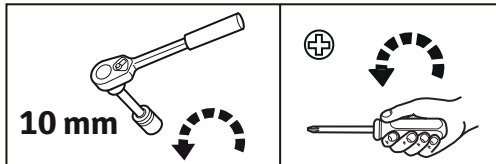
Manual reference number: AIM 003 077 - 1

Revision Record

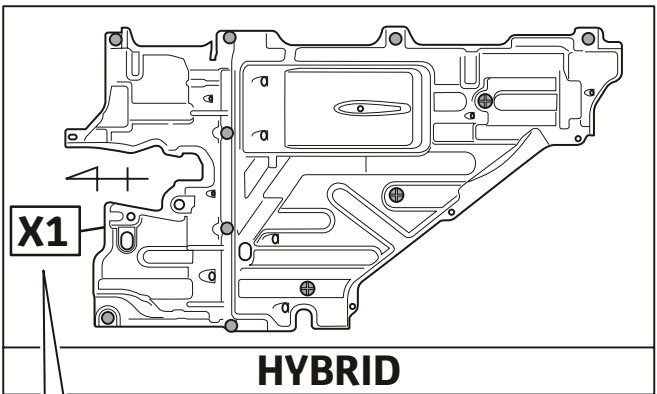
Rev. No.	Date	Page	Picture	Update	New	Deleted steps
1	09-01-14	16,18,20,22			X	
1	09-01-14	3	Tools	X		
1	09-01-14	4	1	X		

 <p>A 2x</p>	 <p>B 2x</p>	 <p>C 2x</p>	 <p>D 2x</p>	
 <p>E 2x</p>	 <p>F 2x</p>	 <p>G 2x</p>	 <p>H 6x</p>	
 <p>J 6x</p>	 <p>K 2x</p>	 <p>L 2x</p>	 <p>M 2x</p>	 <p>N 12x</p>
 <p>O</p>		 <p>P</p>		

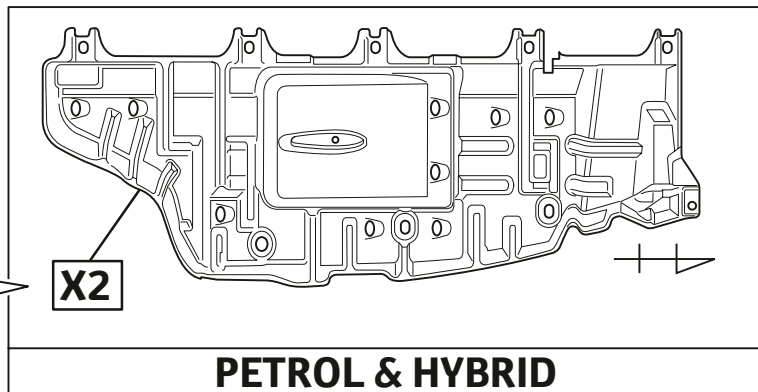
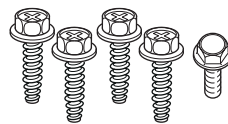
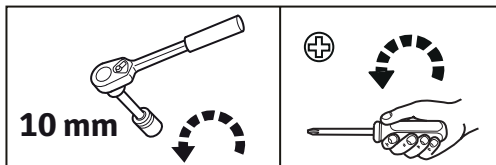
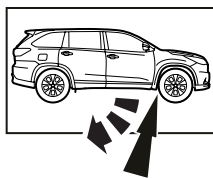
 <p>10 mm</p>				
				



PETROL

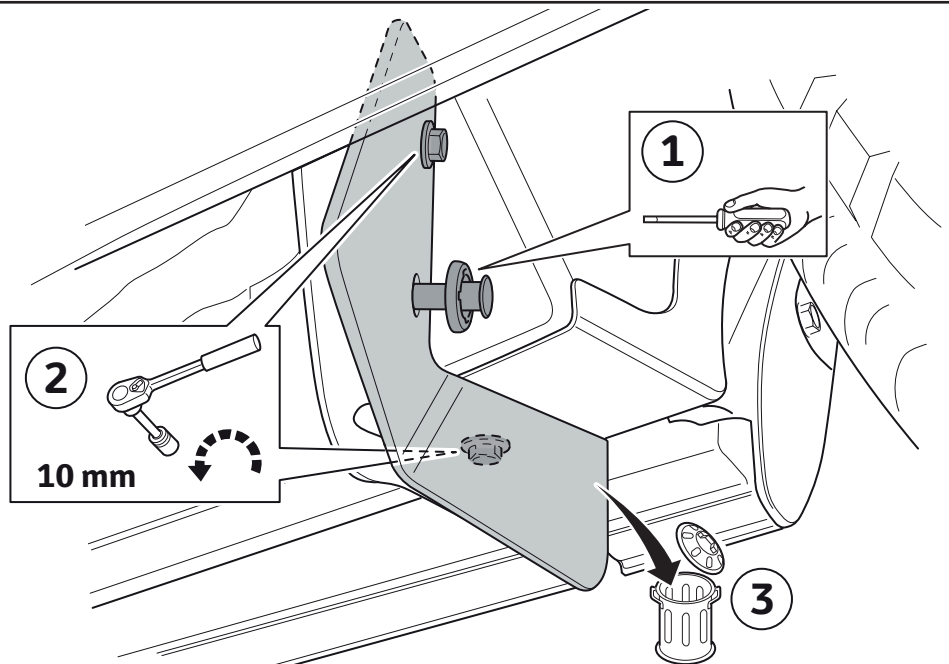
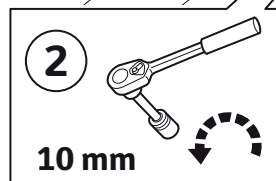
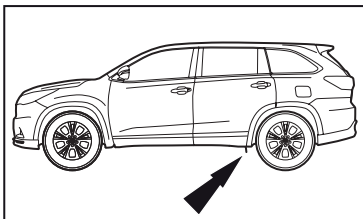
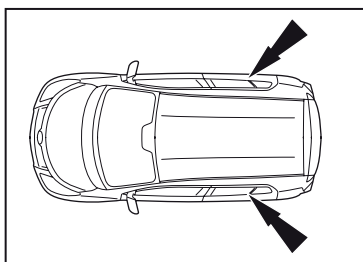


HYBRID

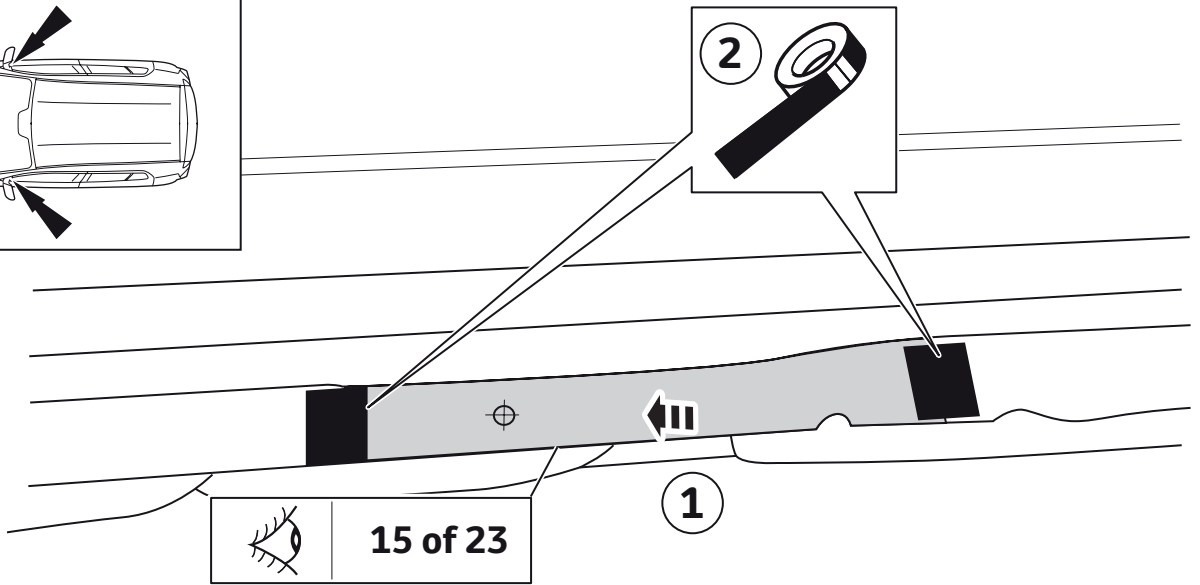
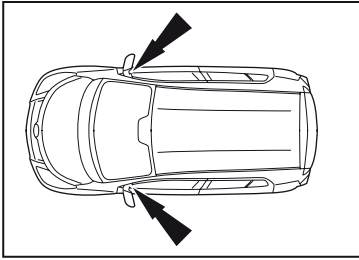


PETROL & HYBRID

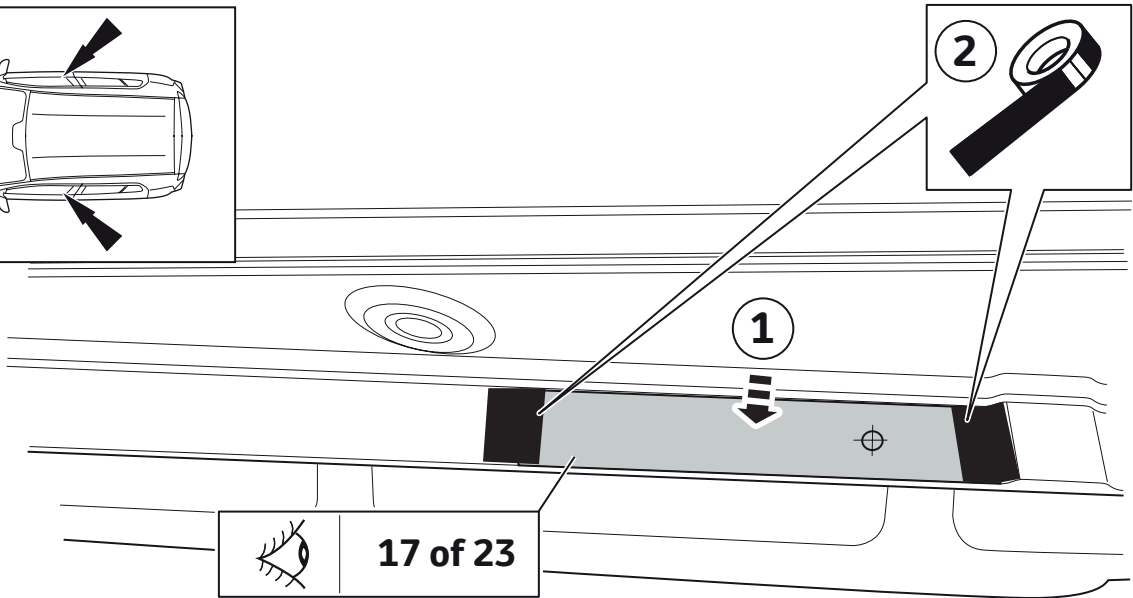
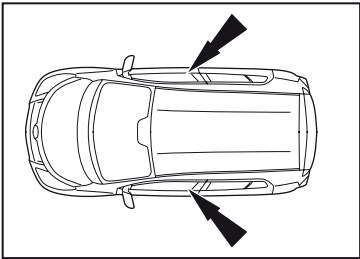
1



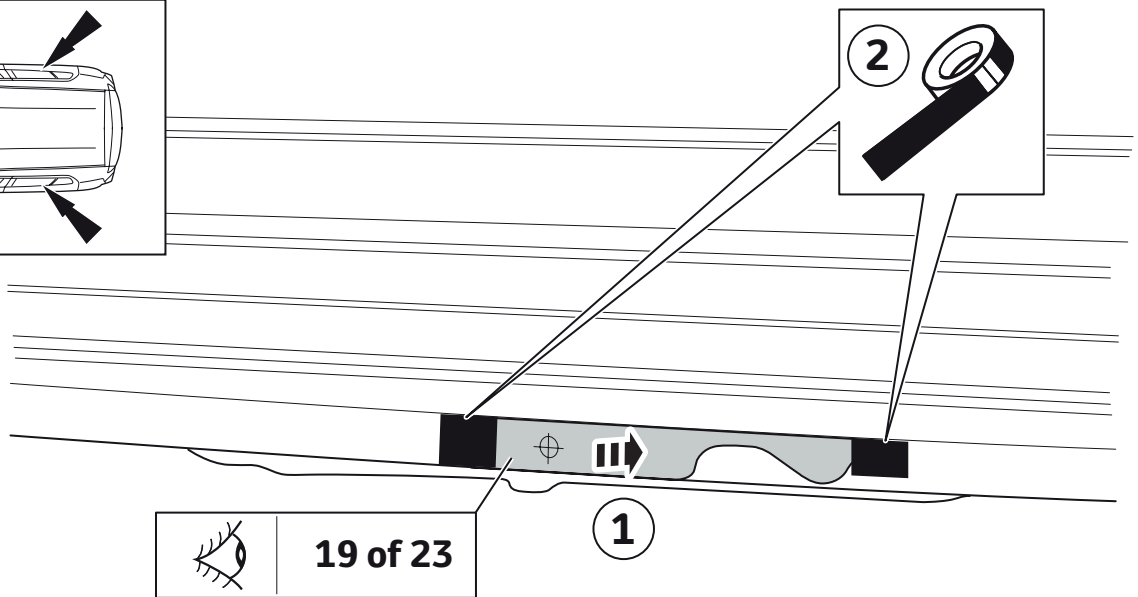
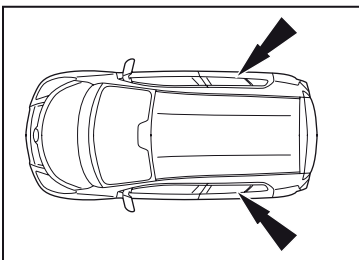
2



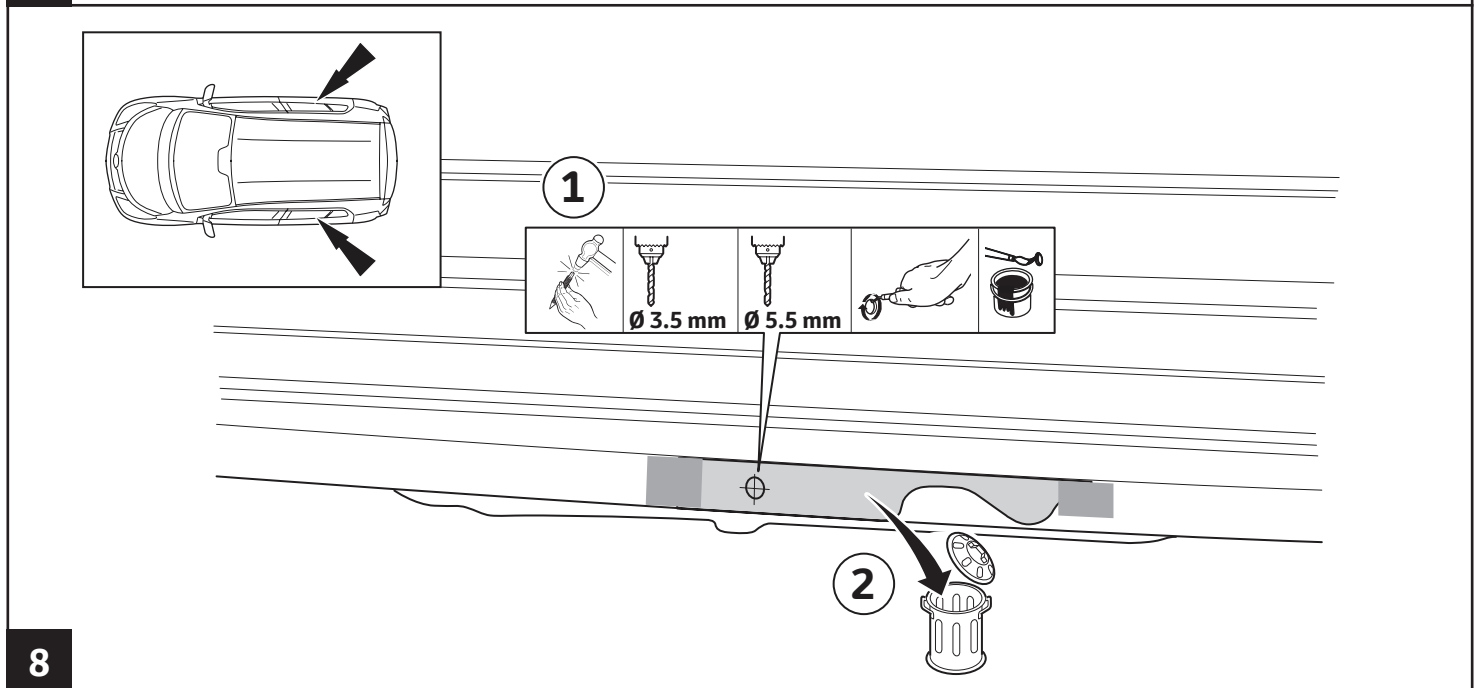
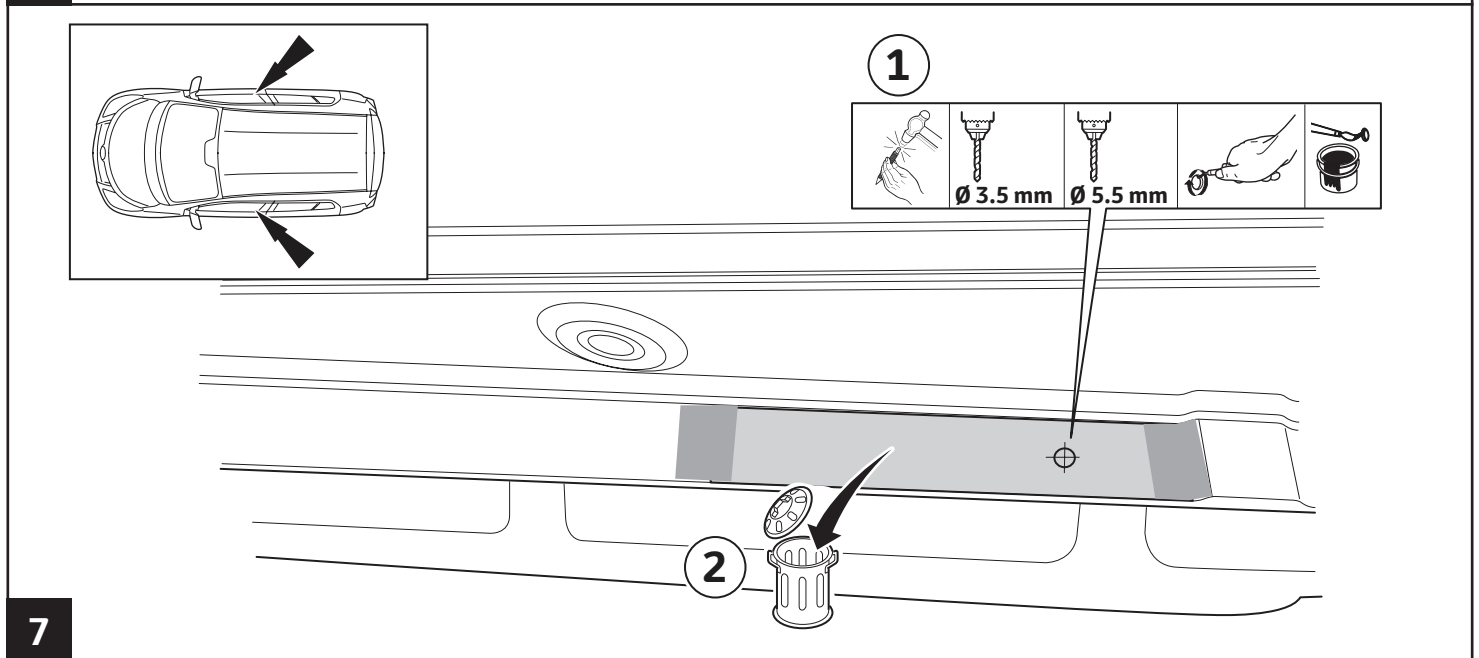
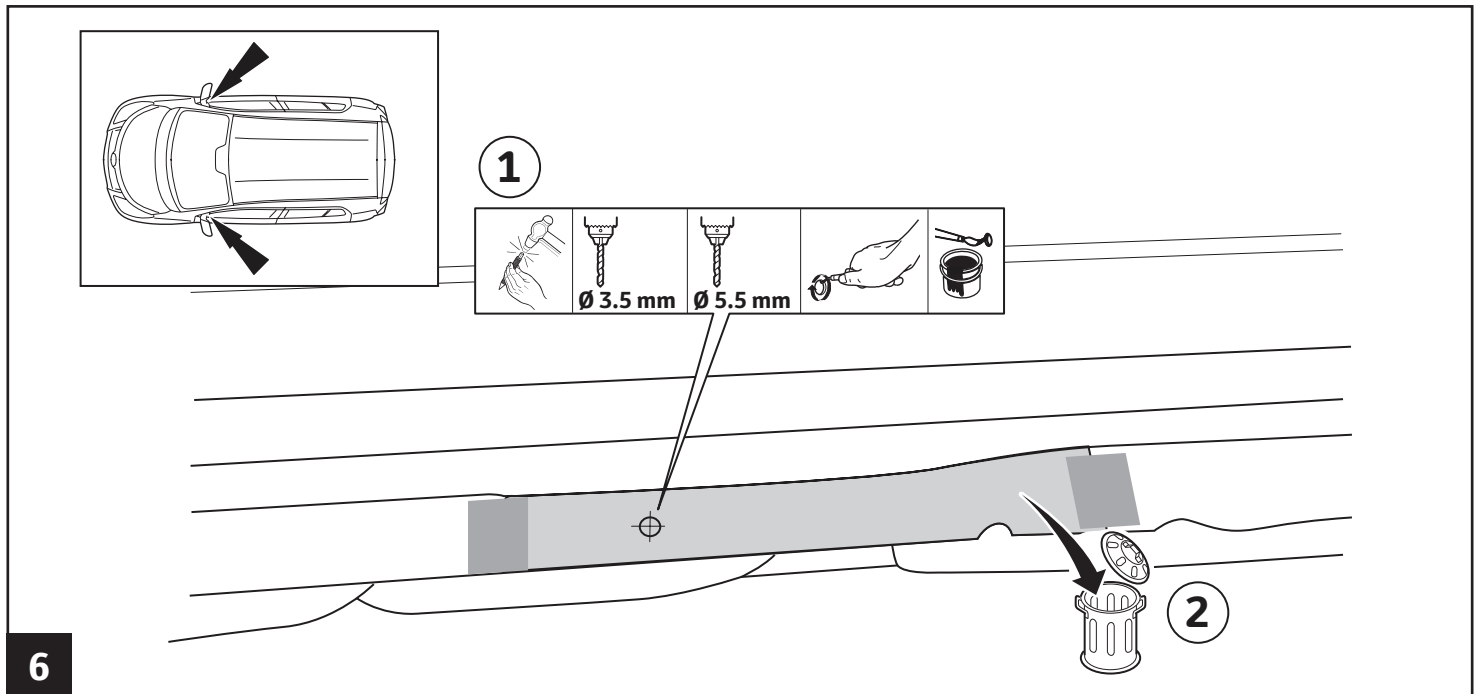
3

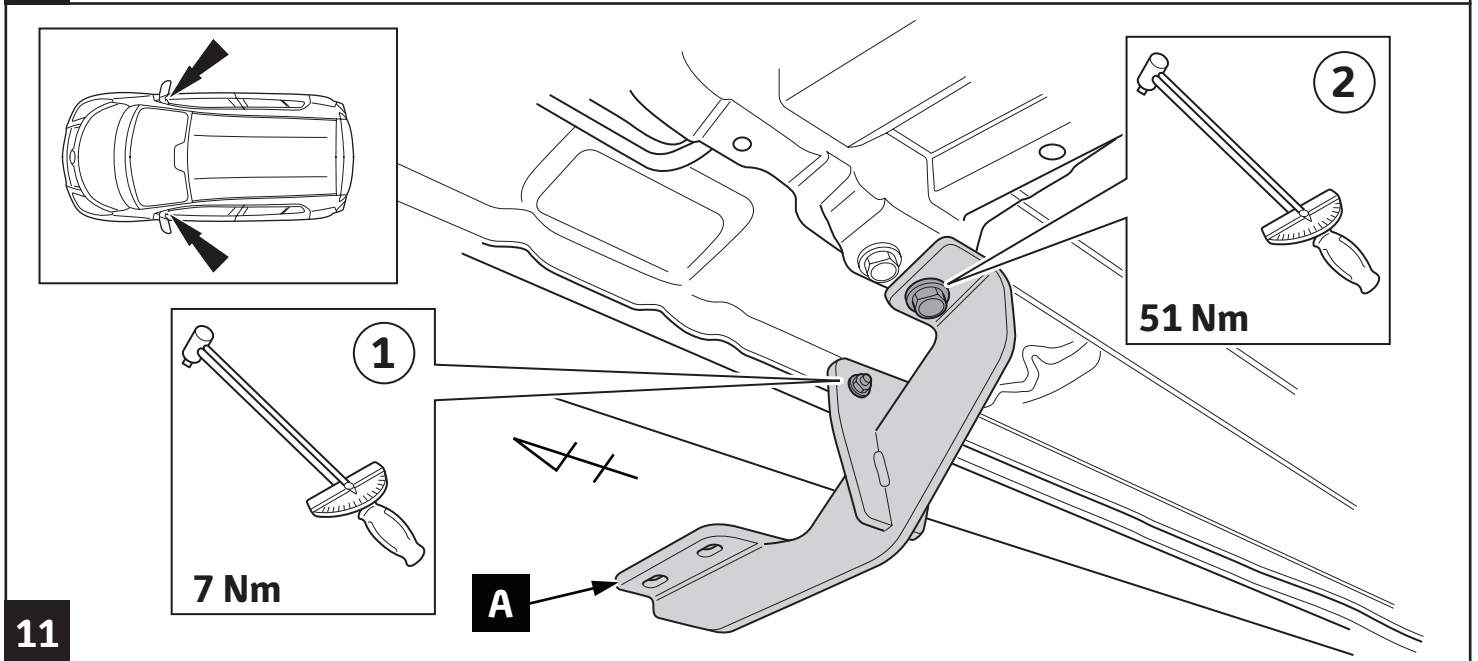
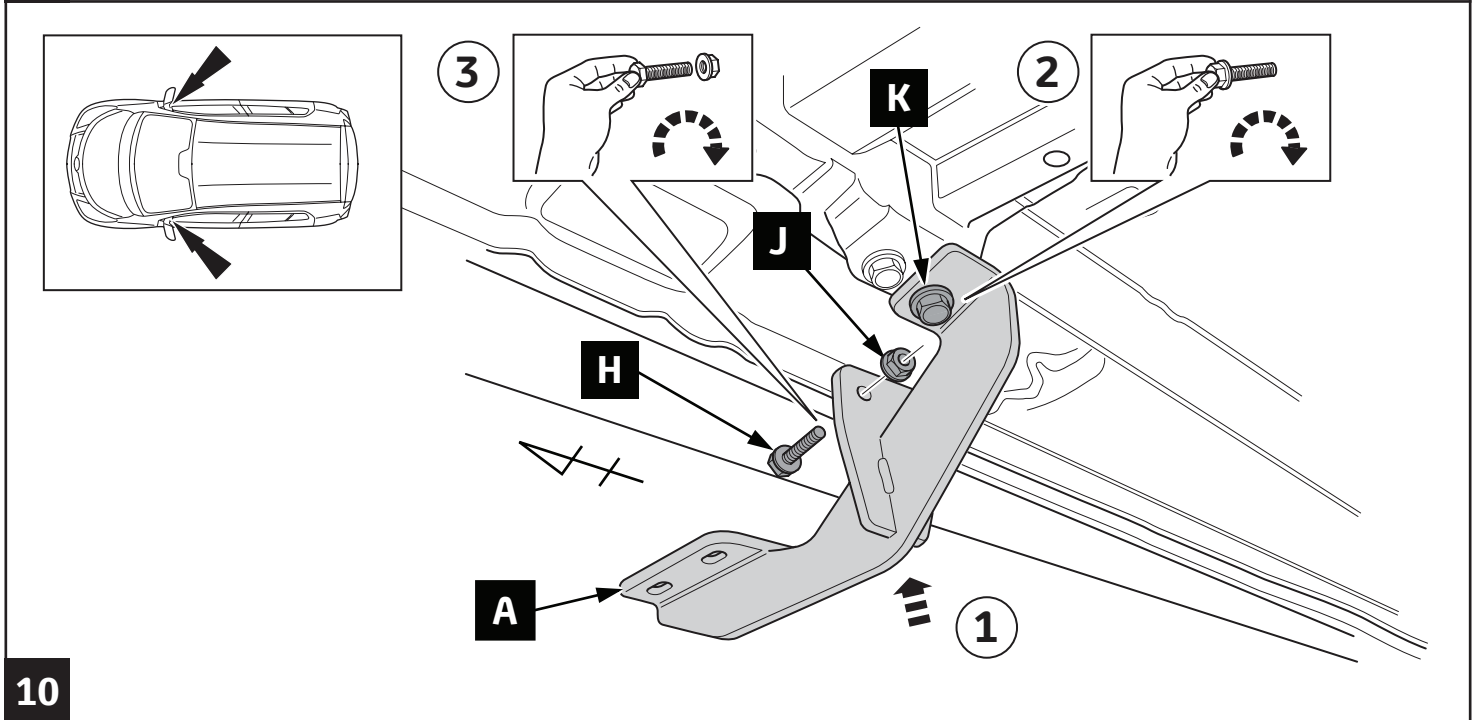
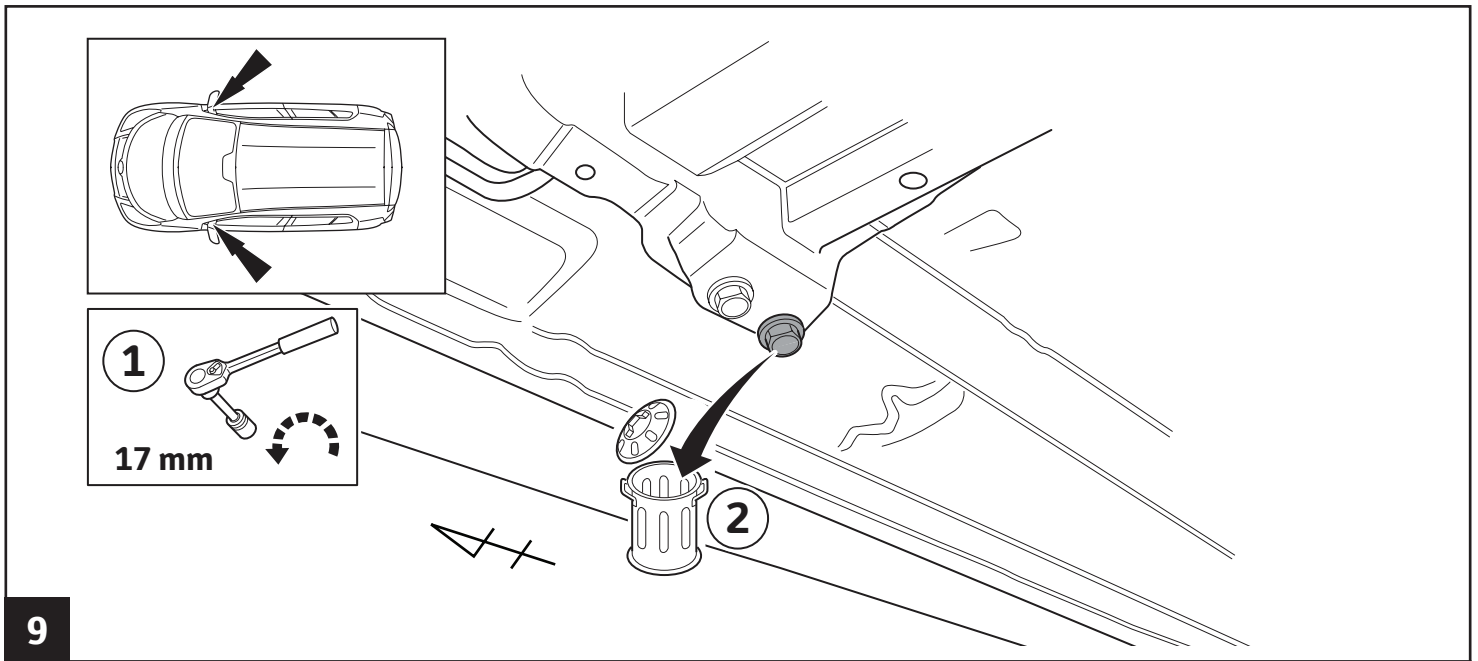


4

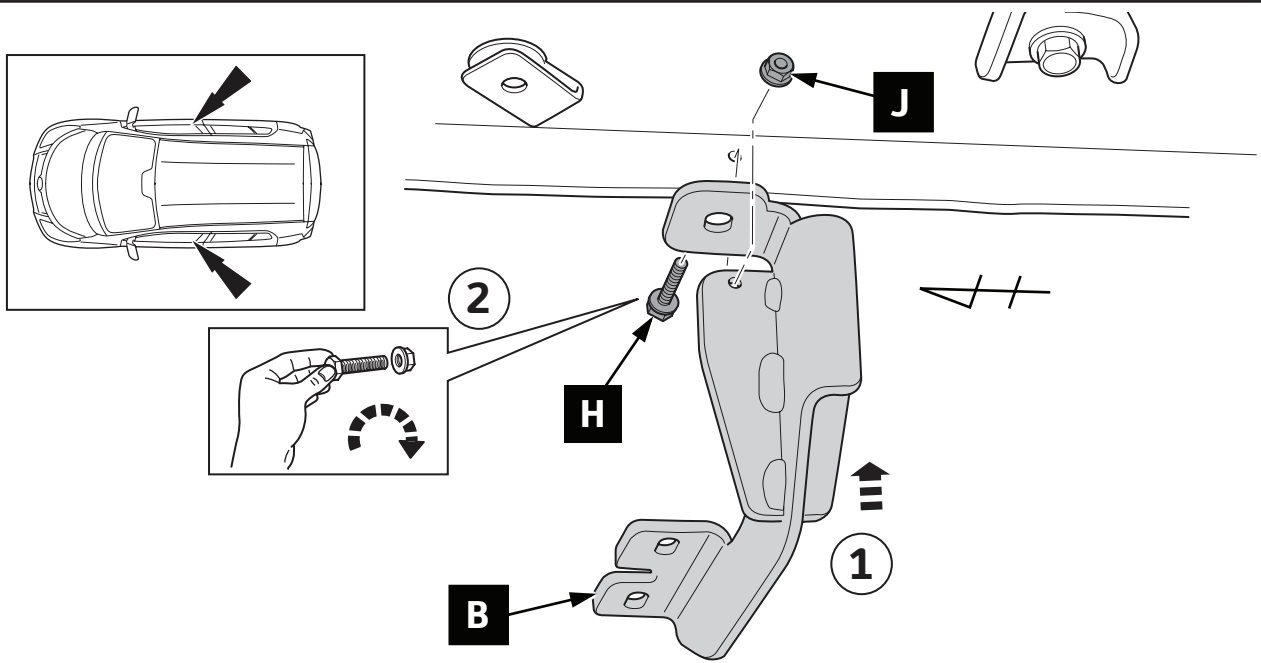


5

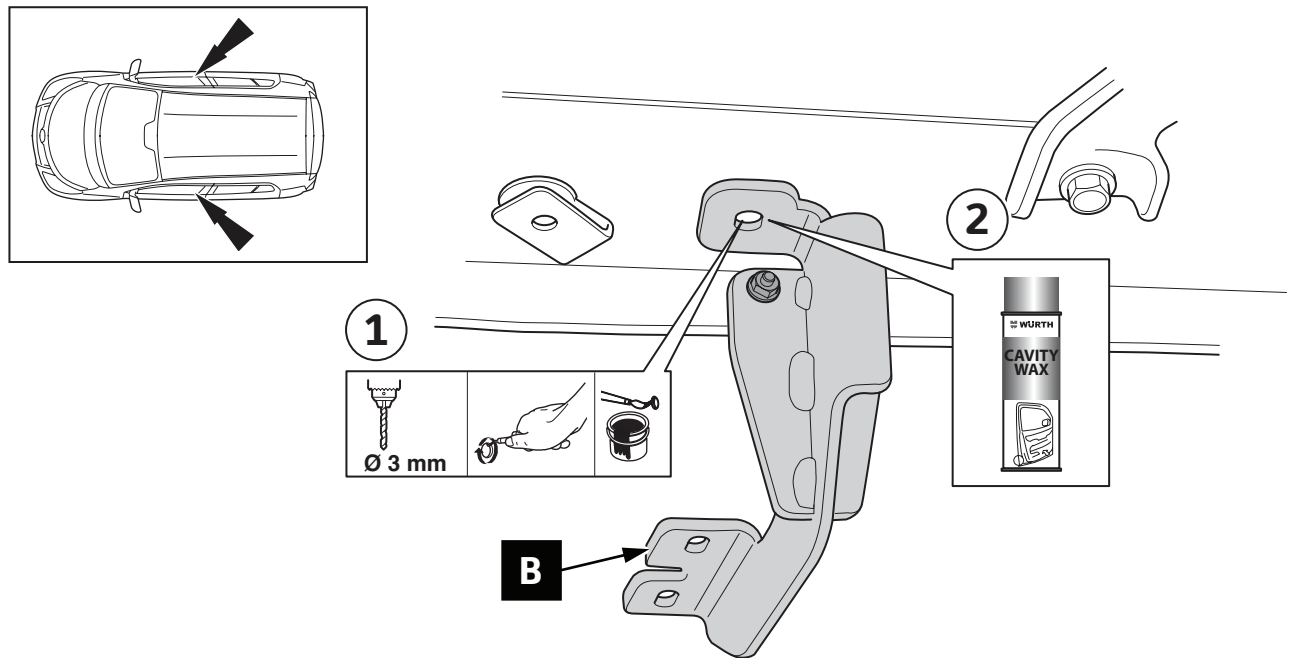




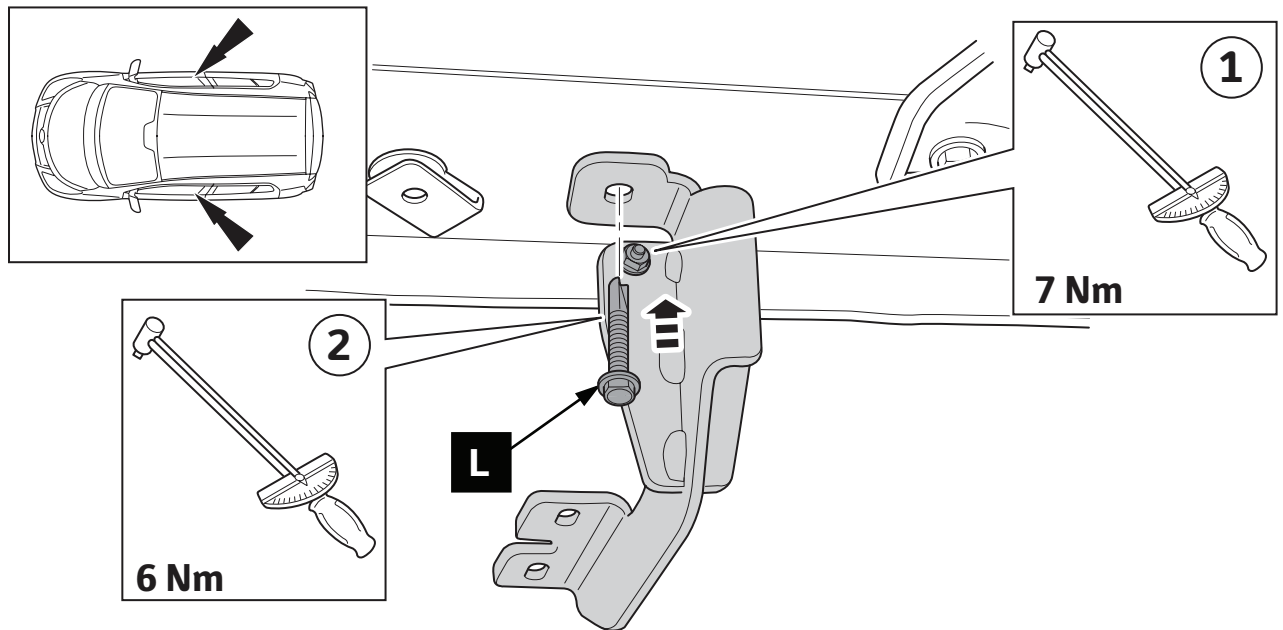
12

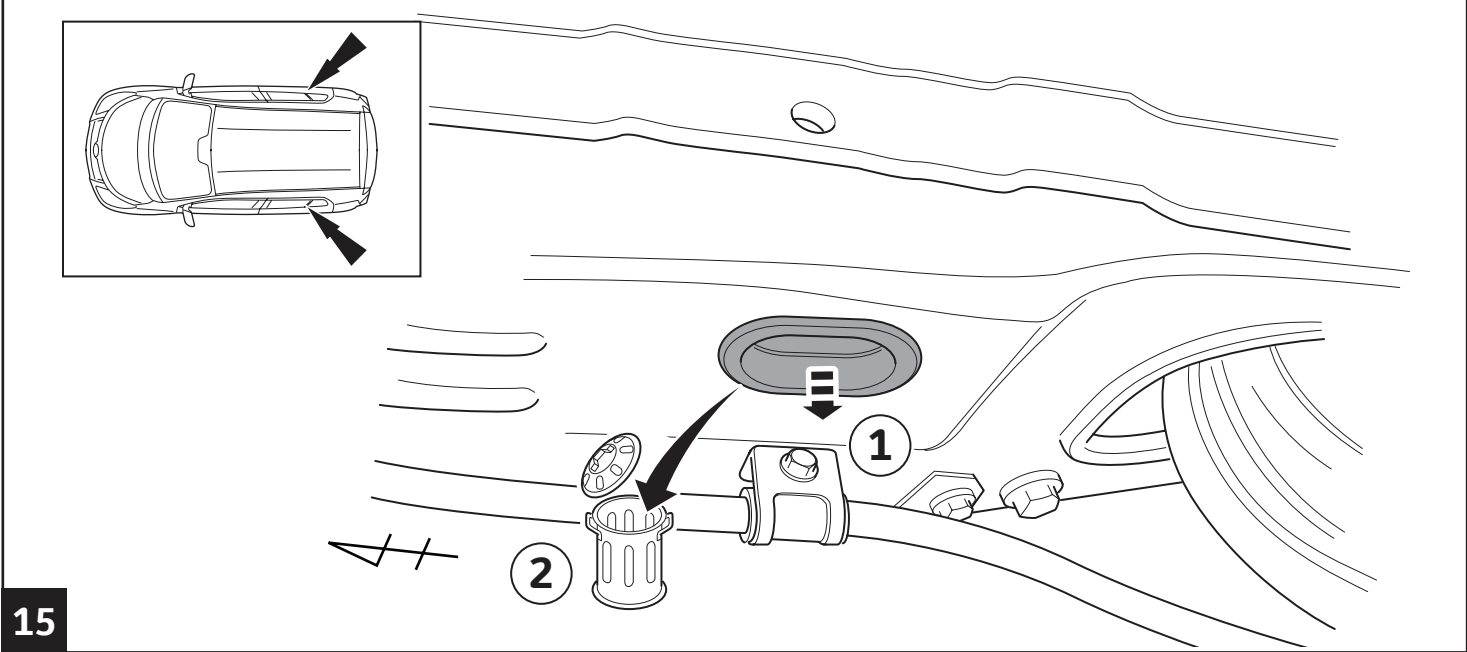


13

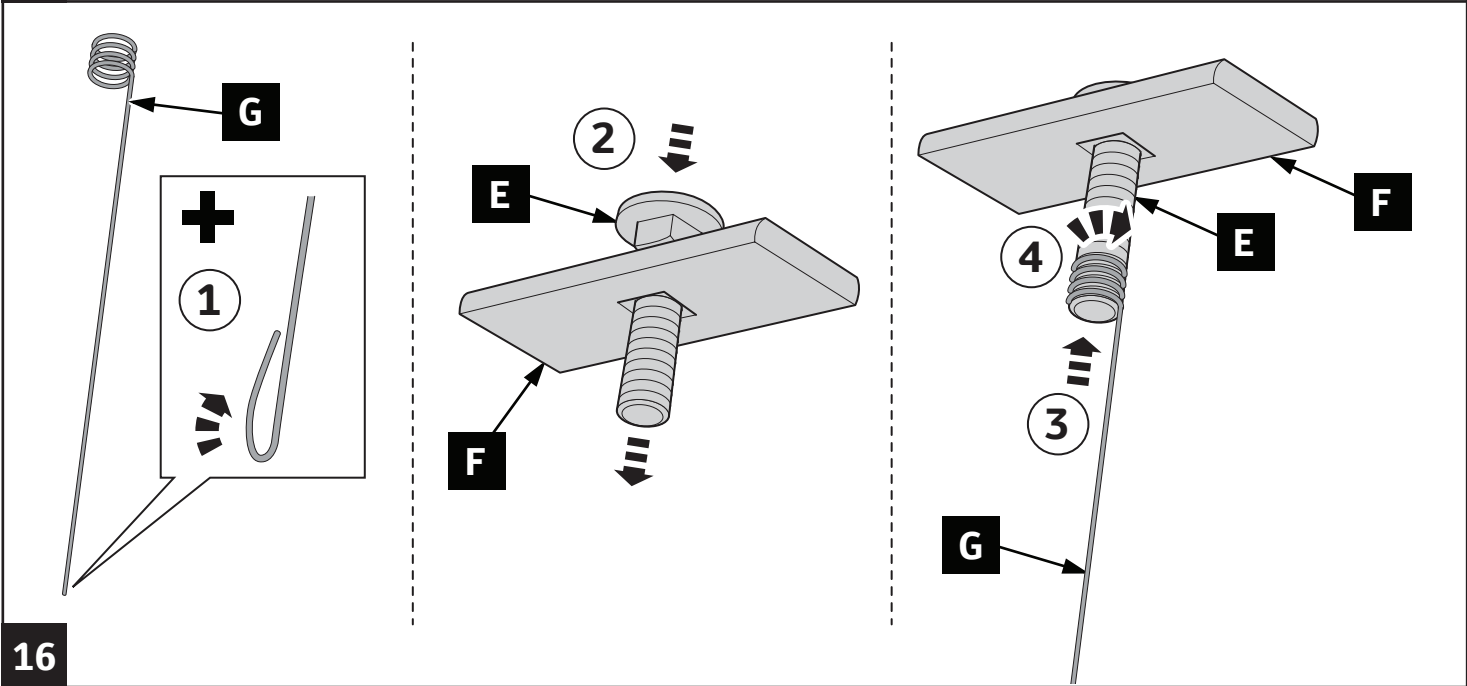


14

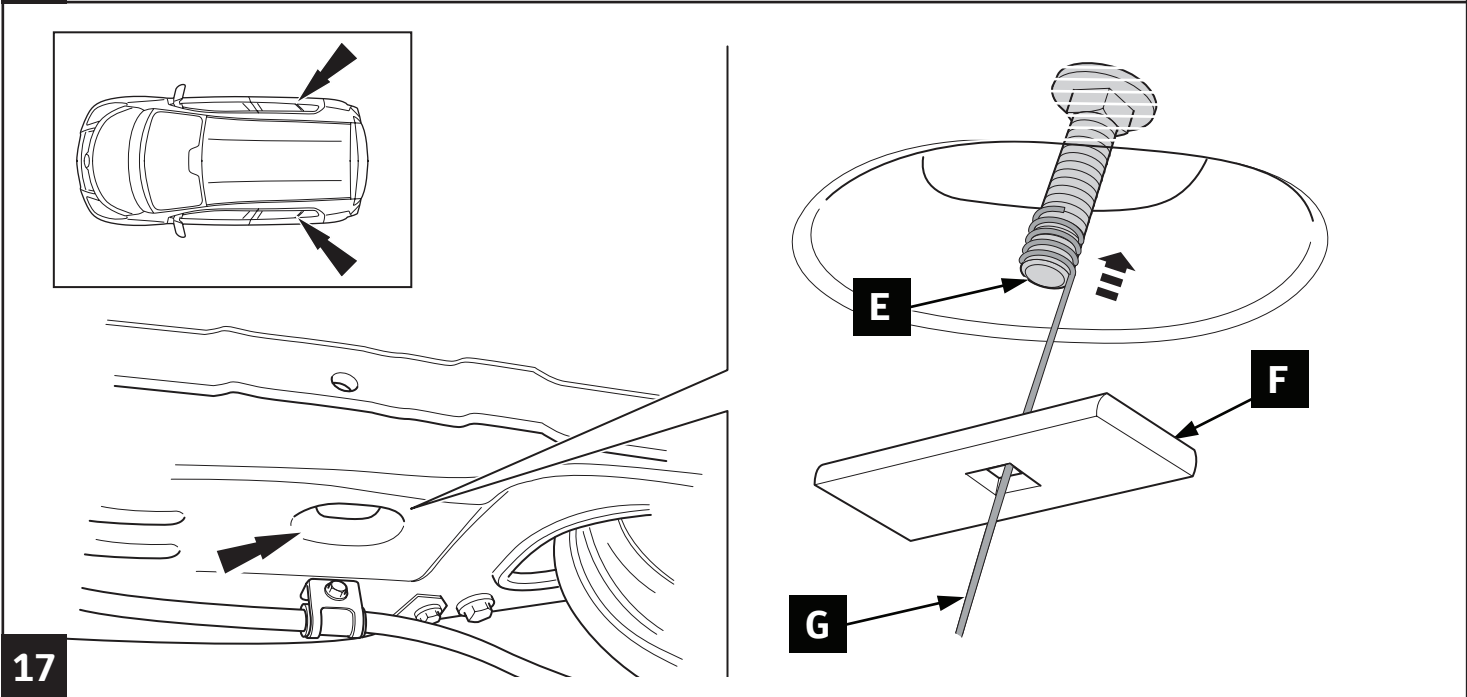




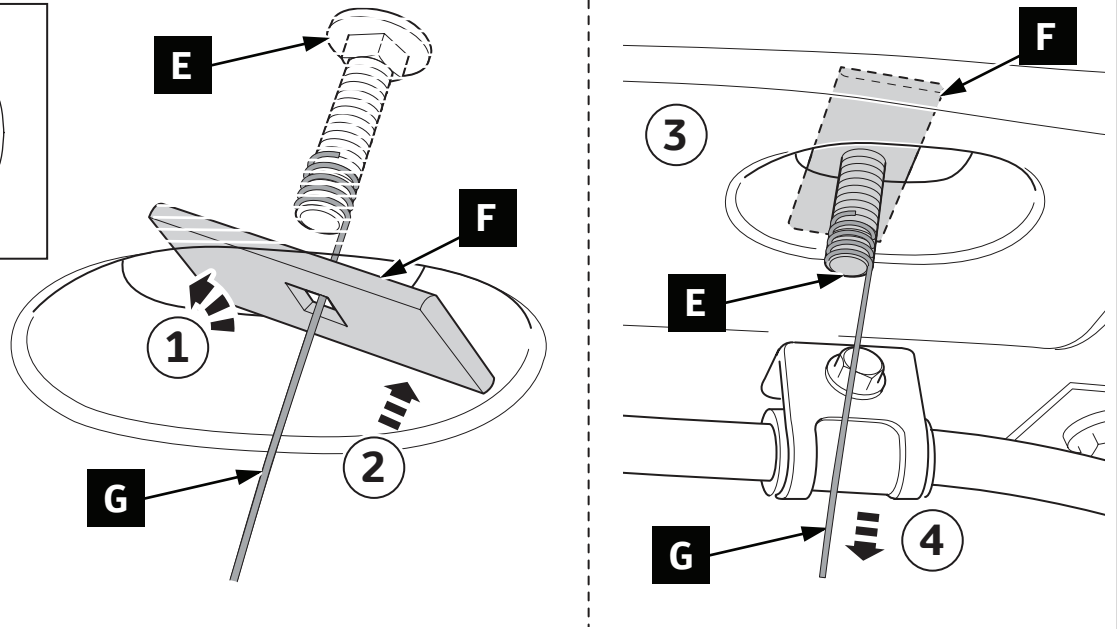
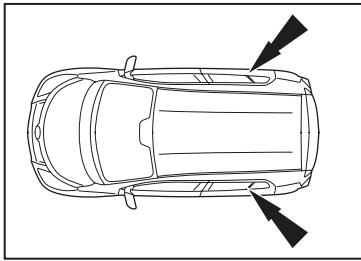
15



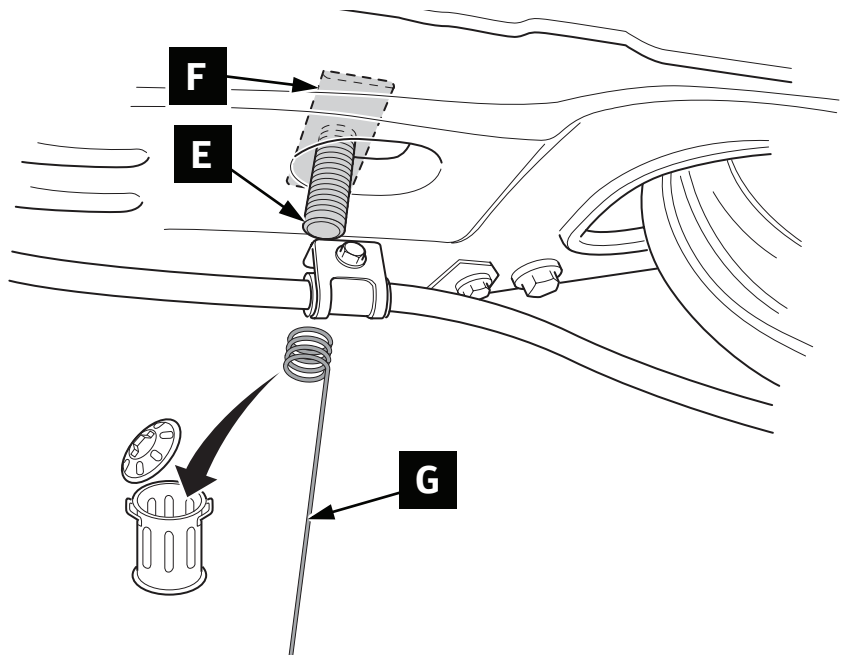
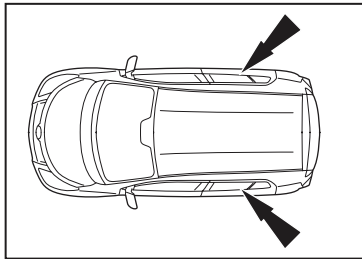
16



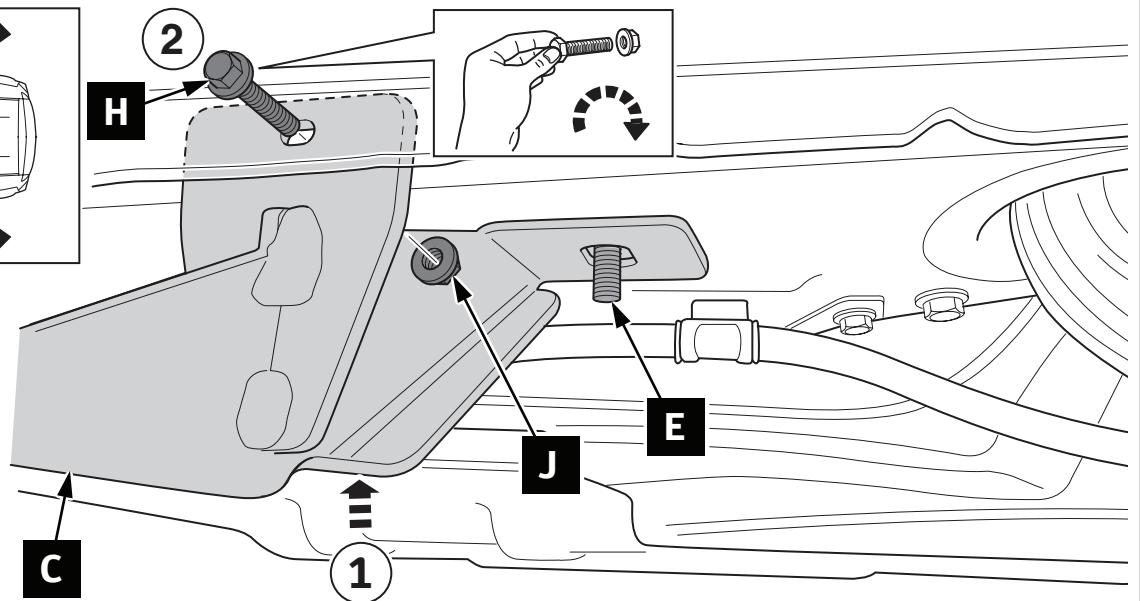
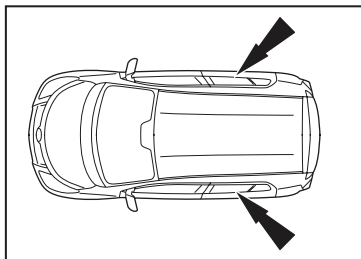
17



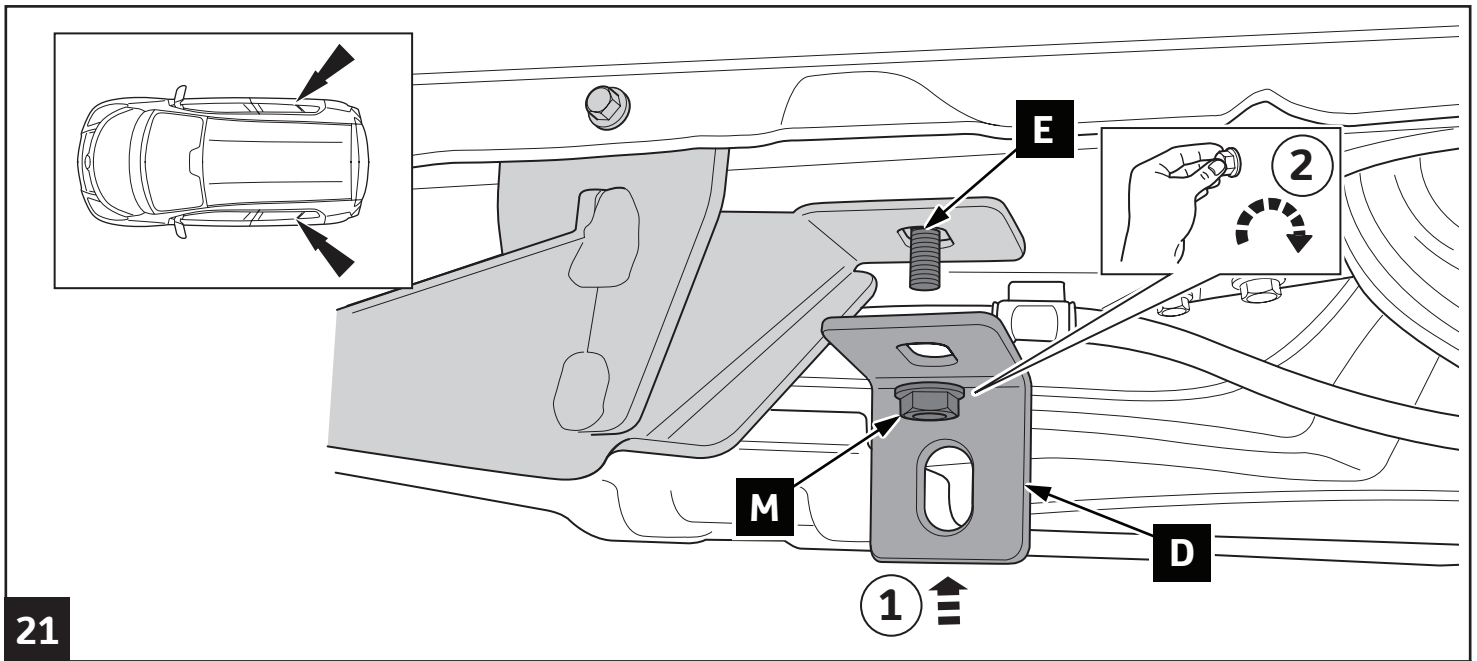
18



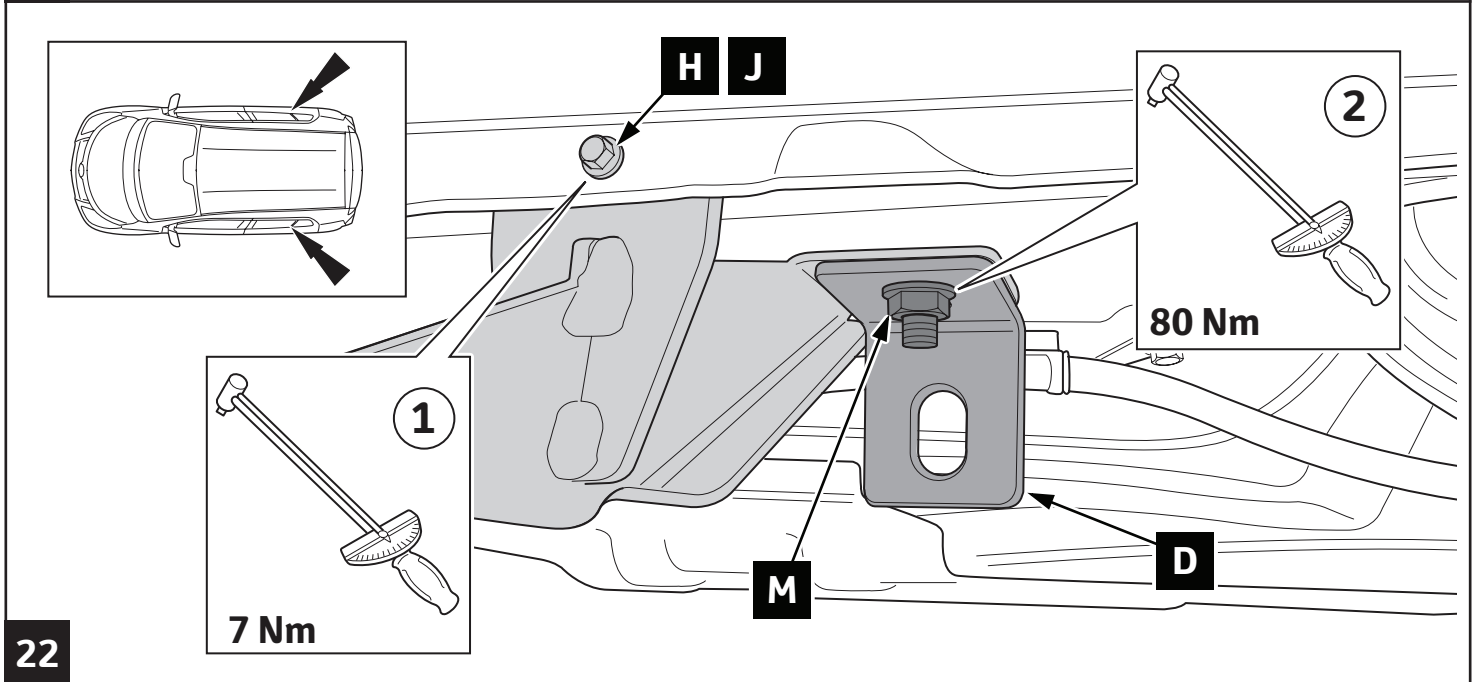
19



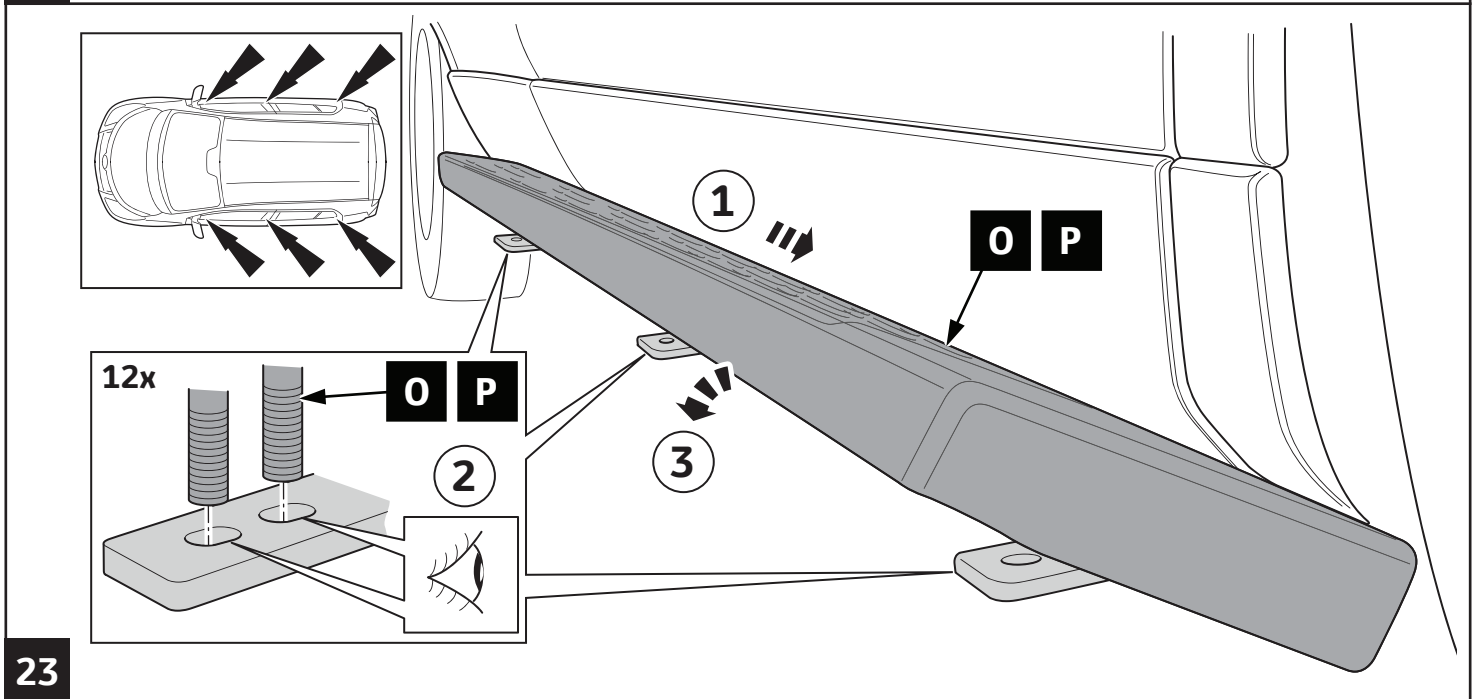
20



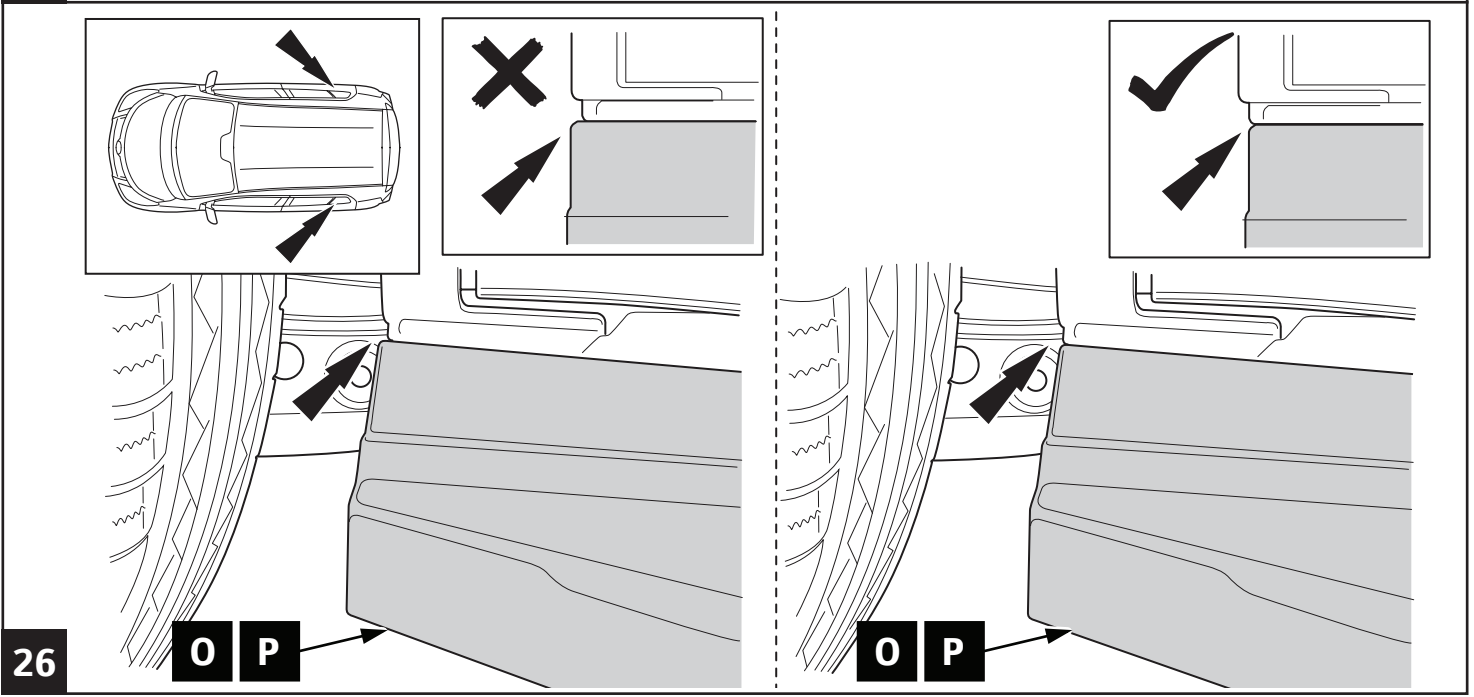
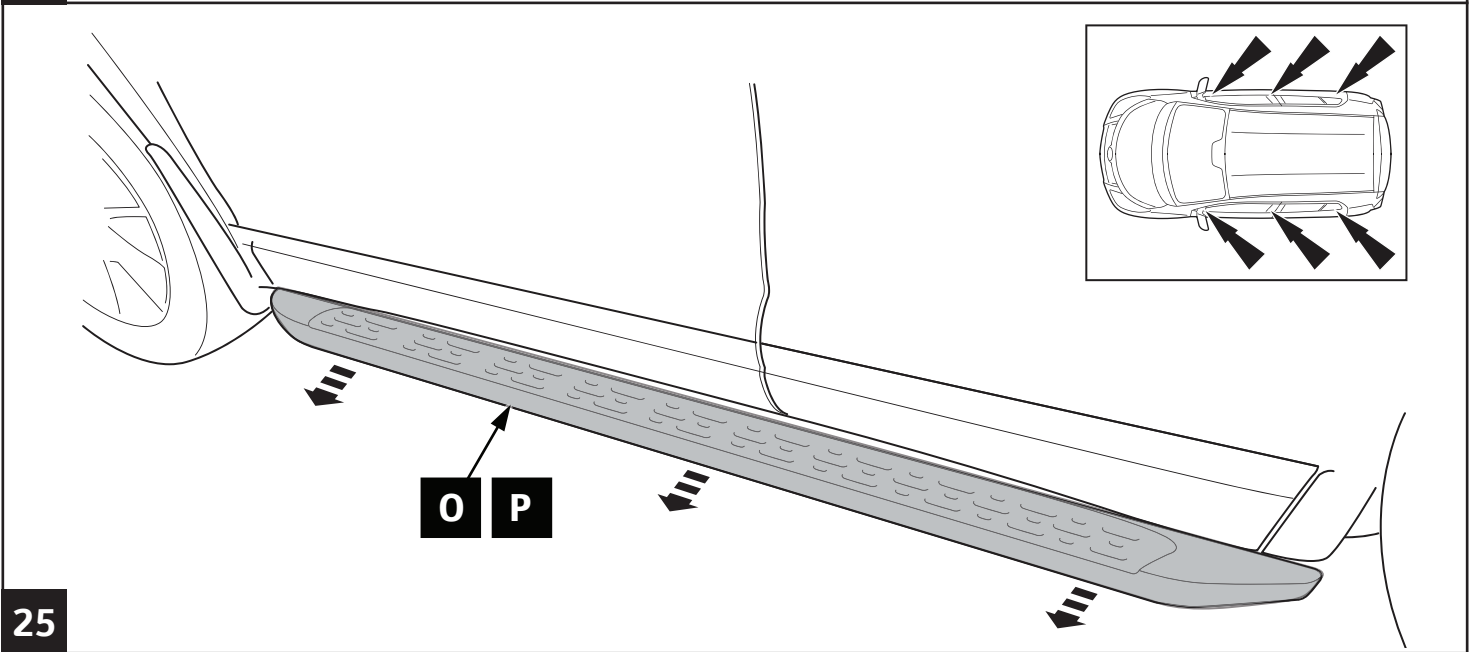
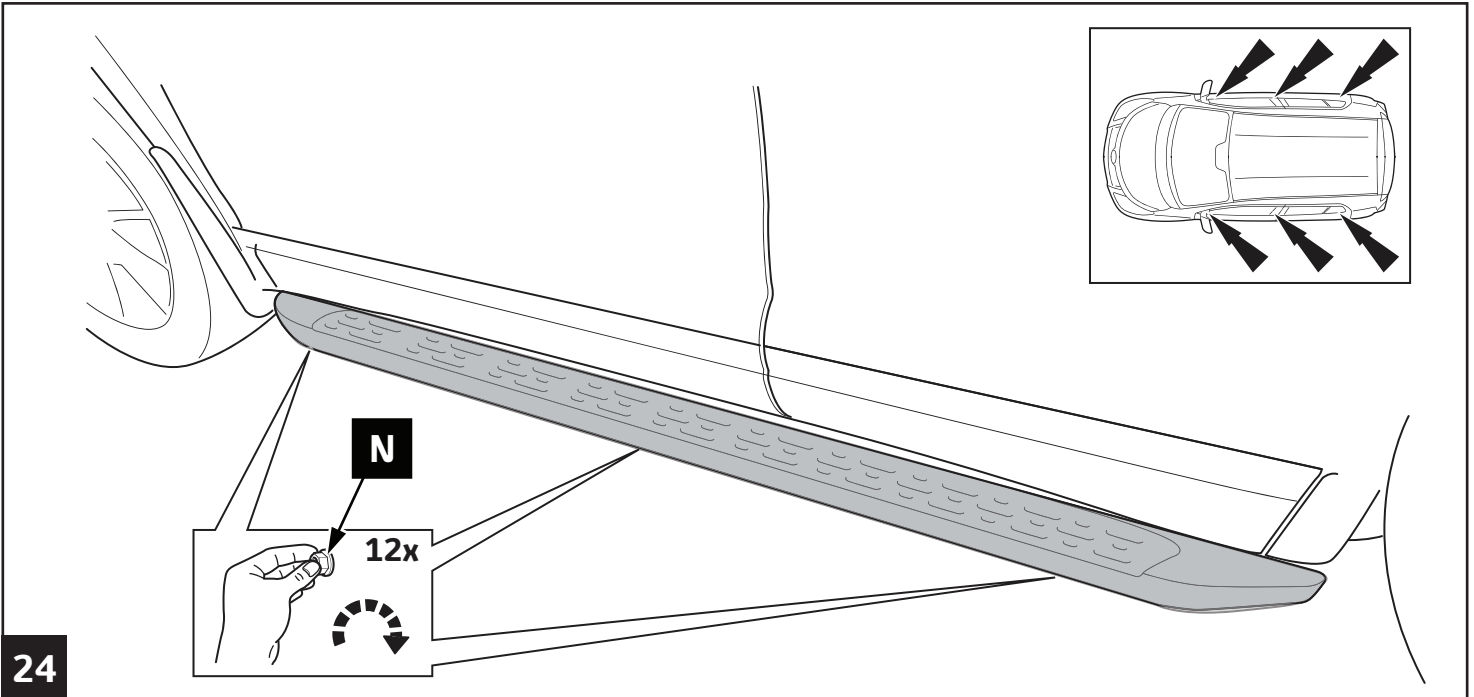
21

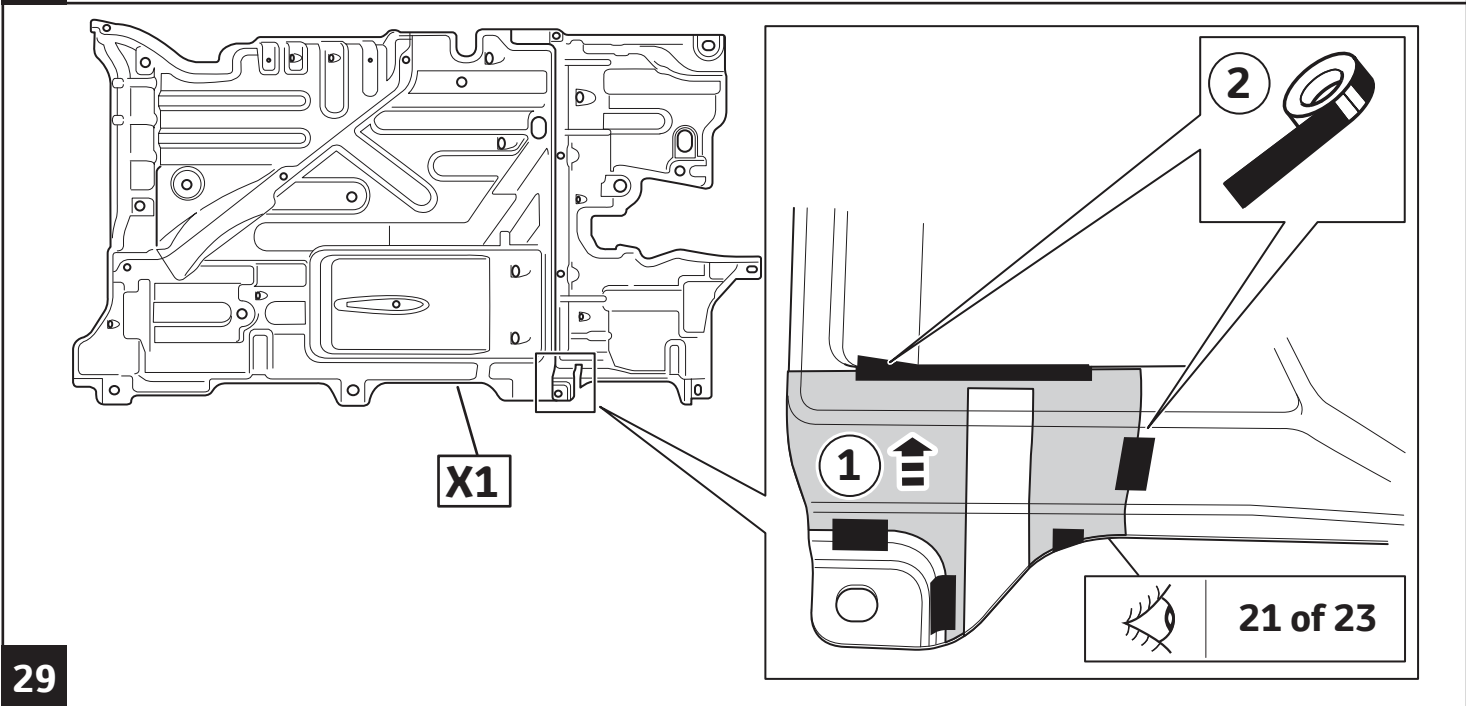
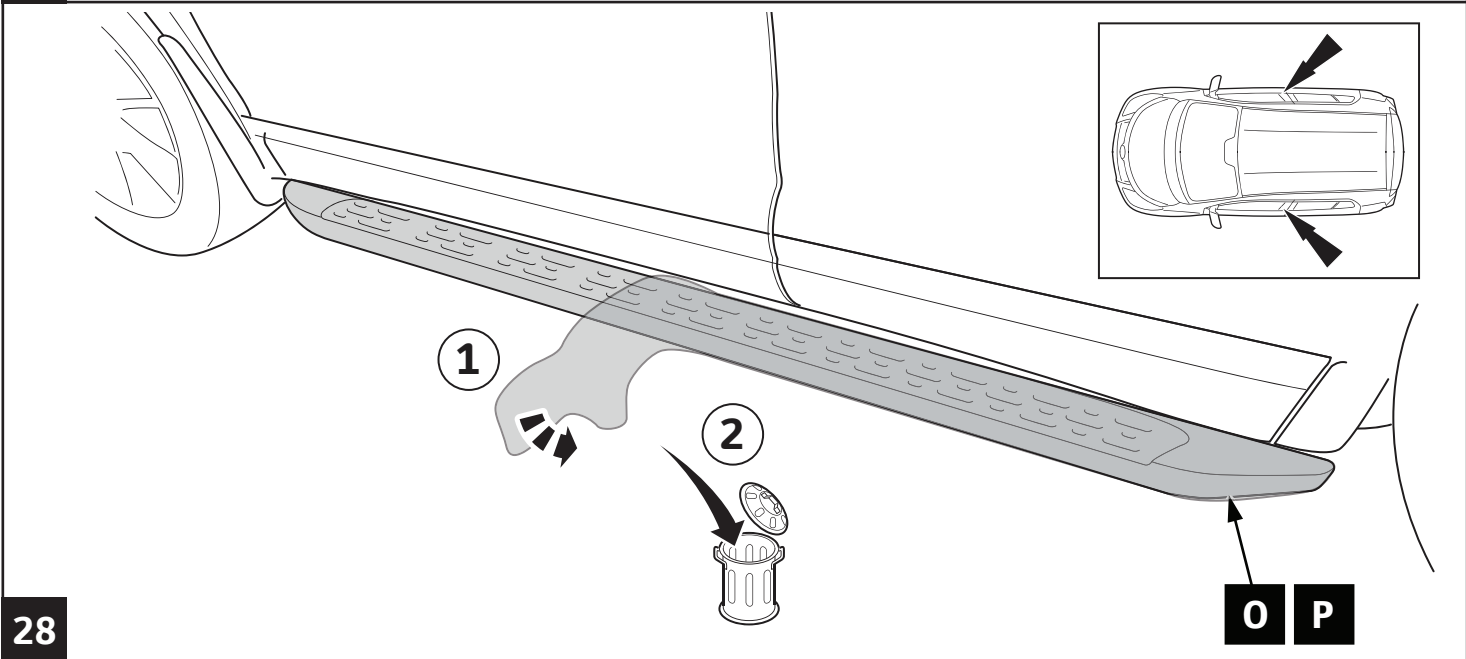
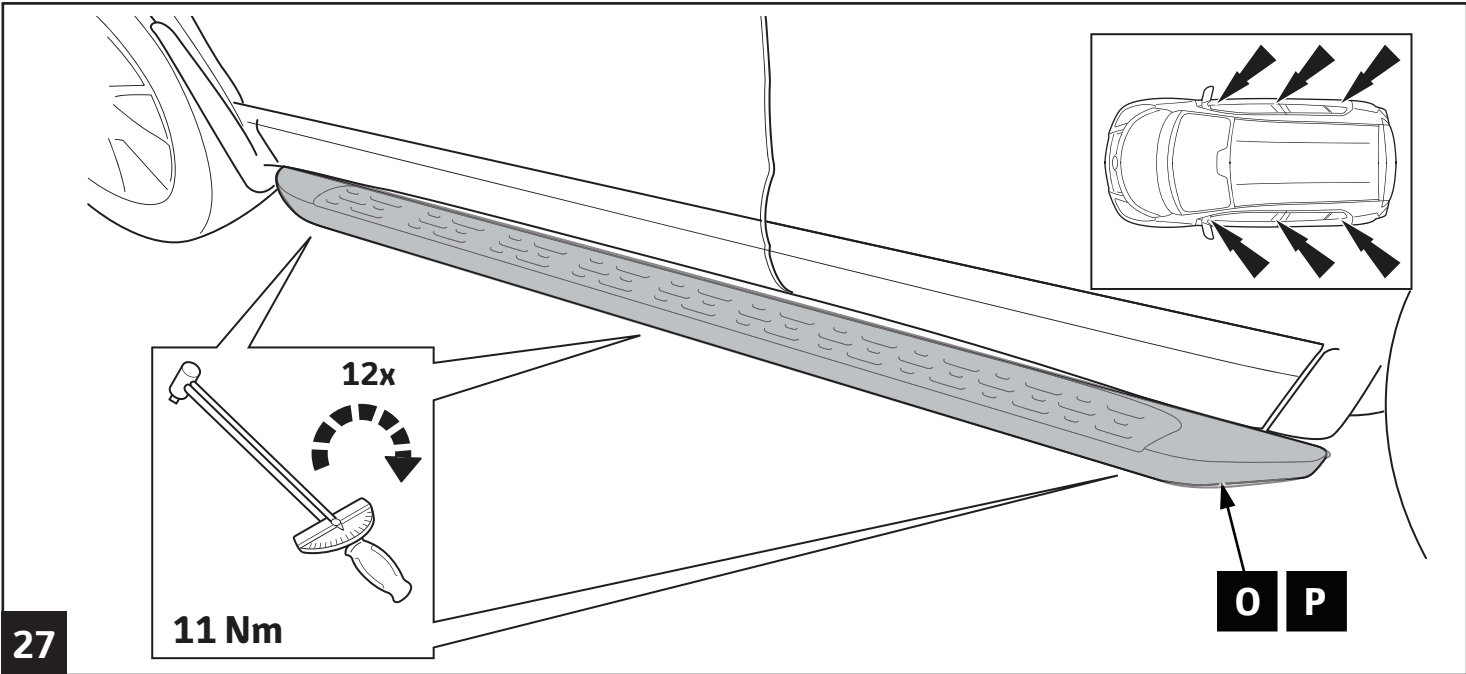


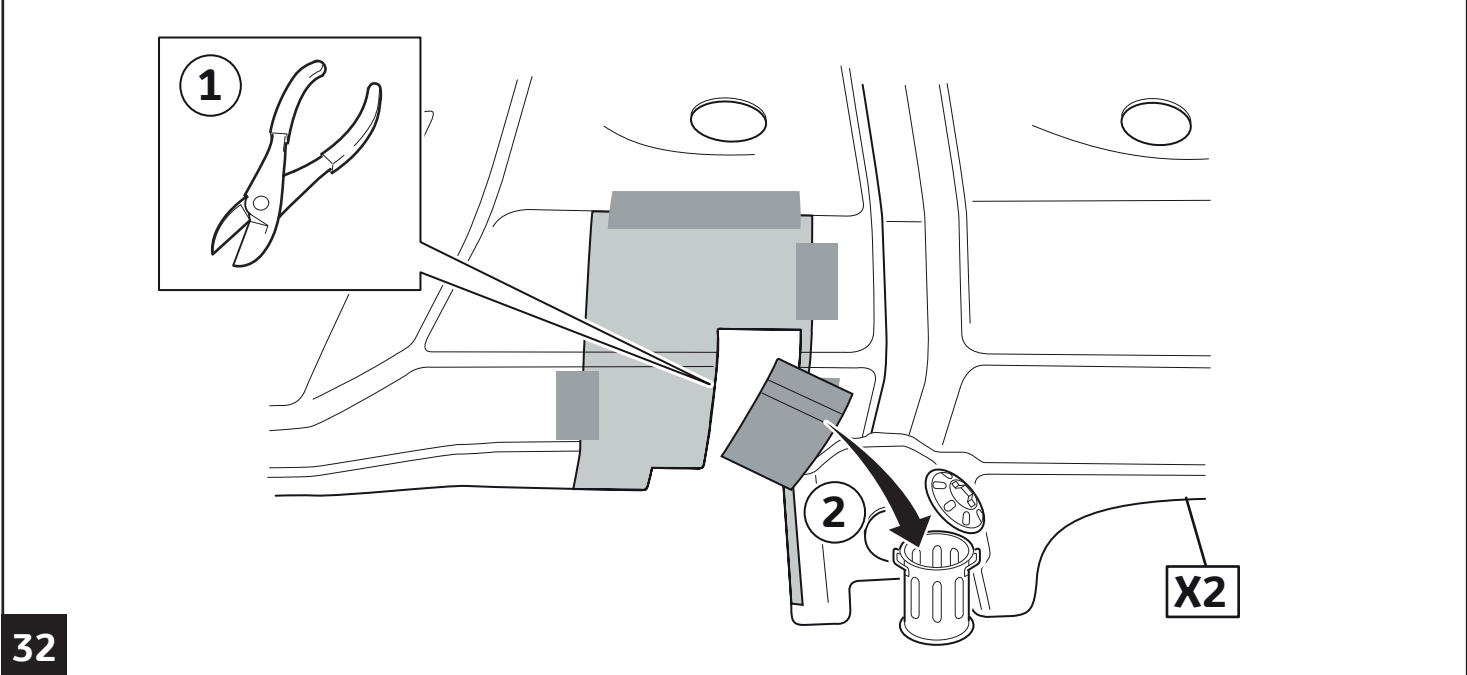
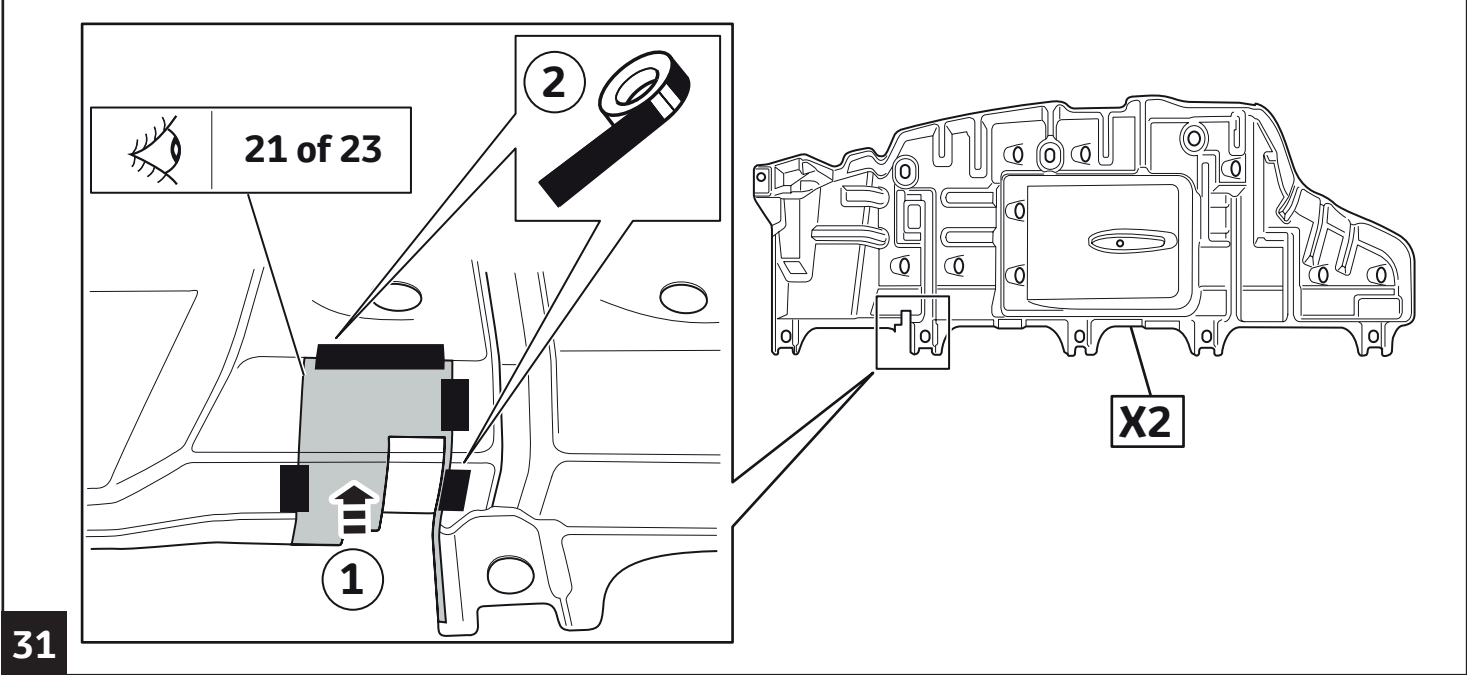
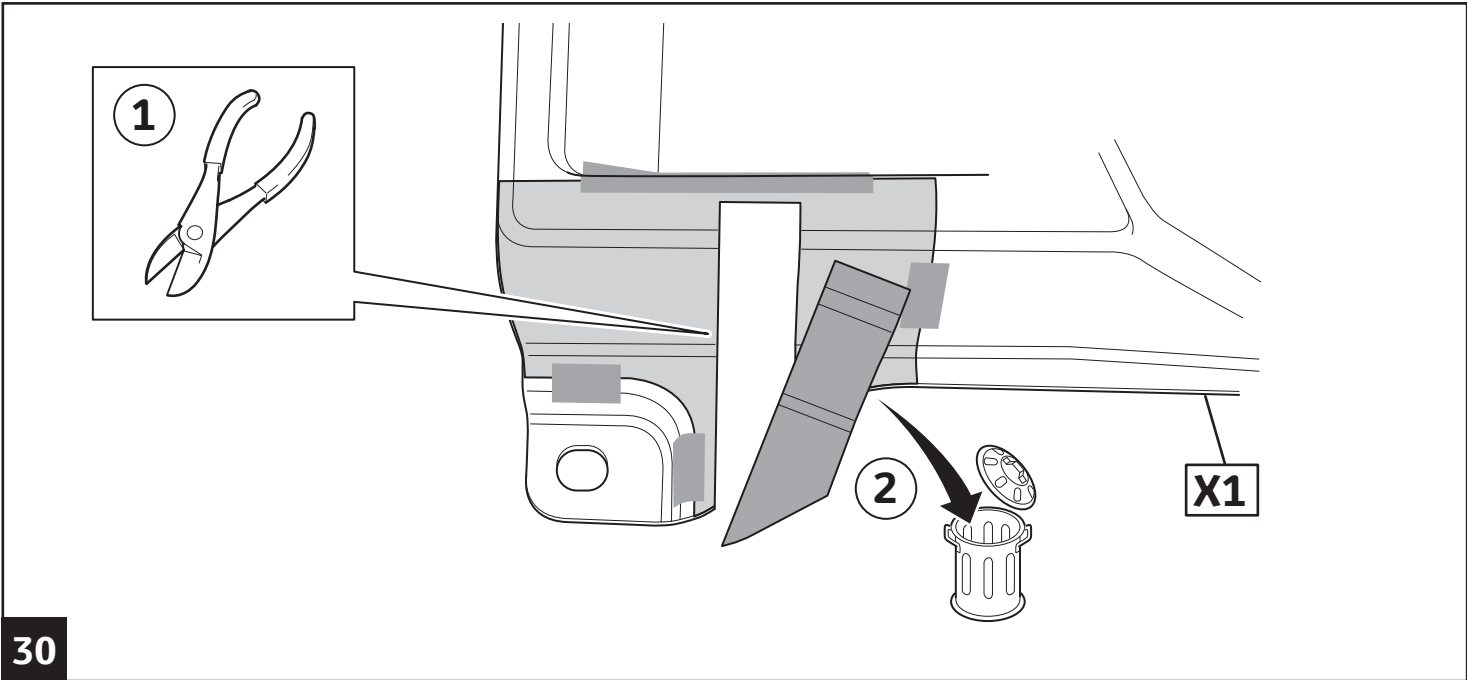
22

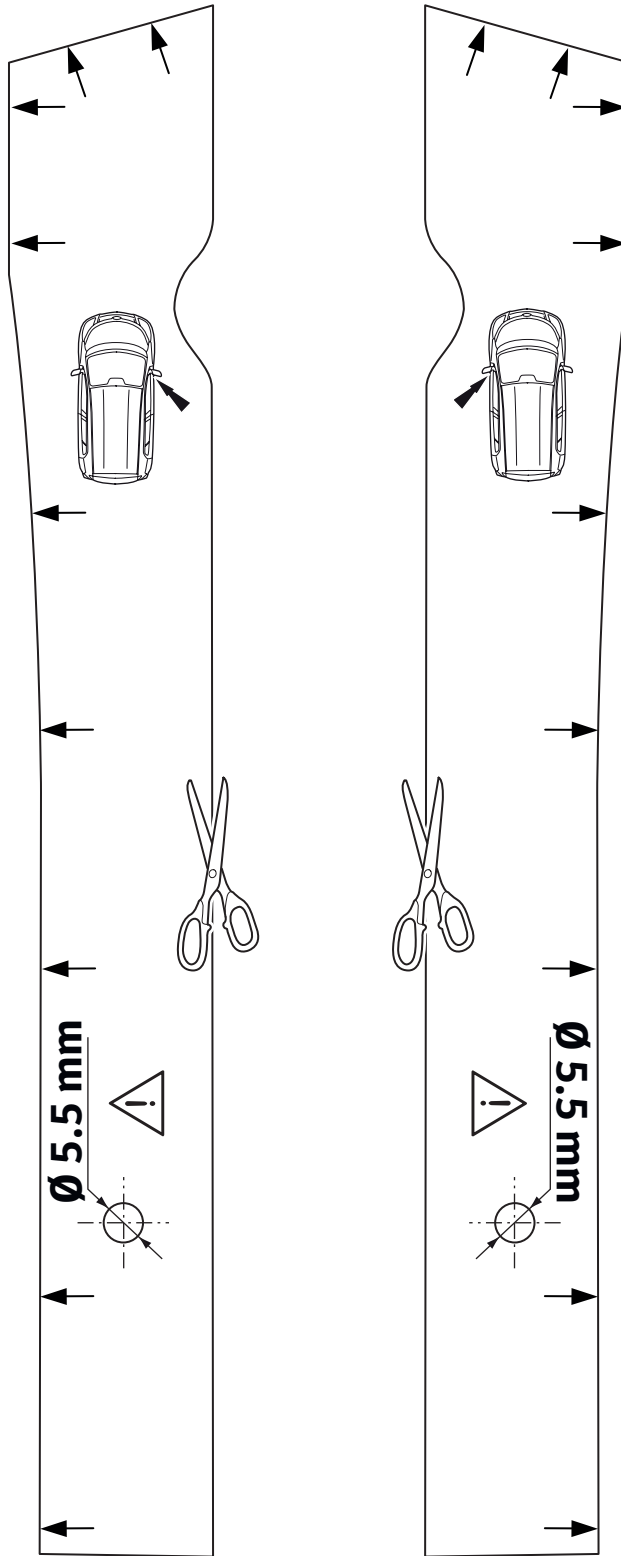
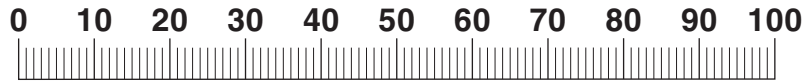



23



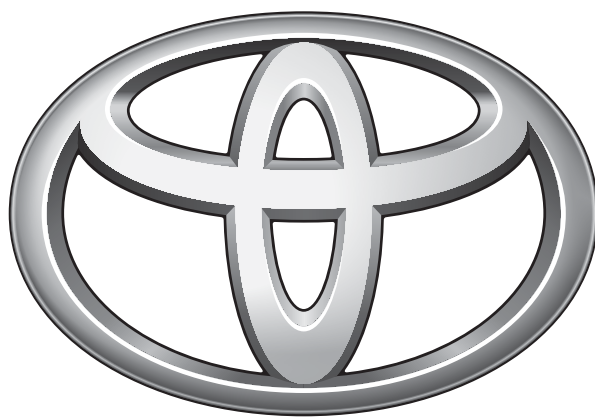


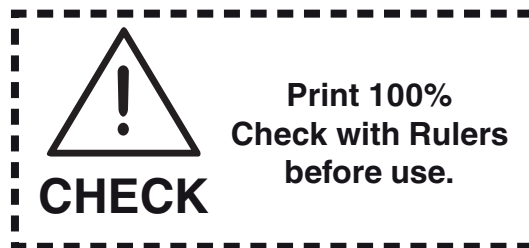
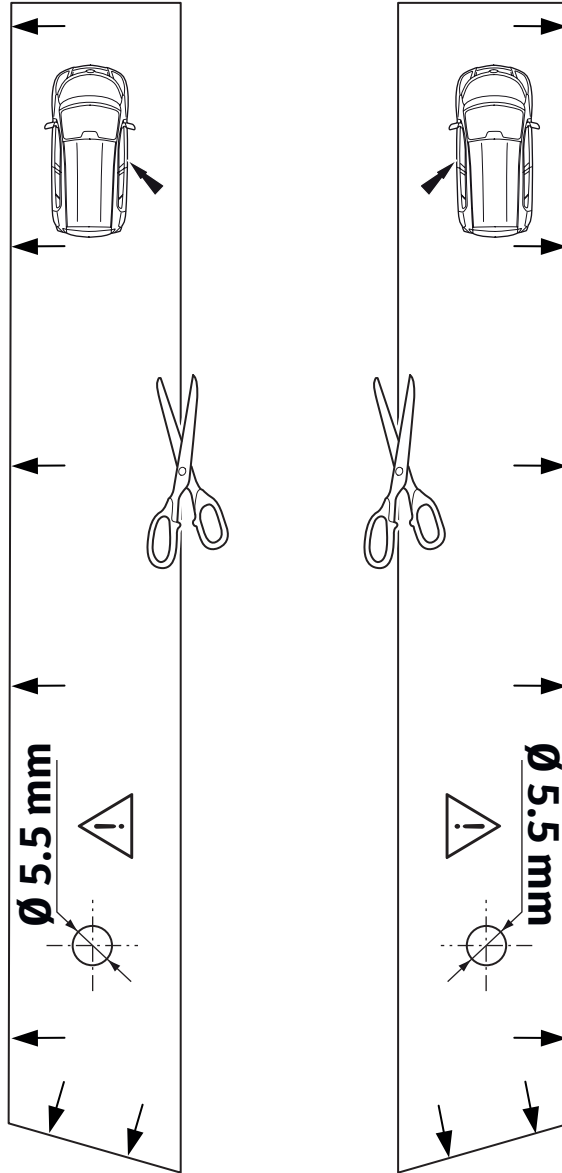
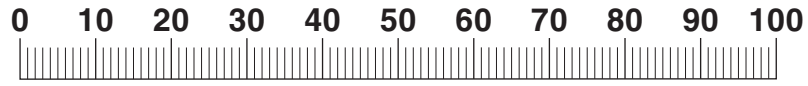


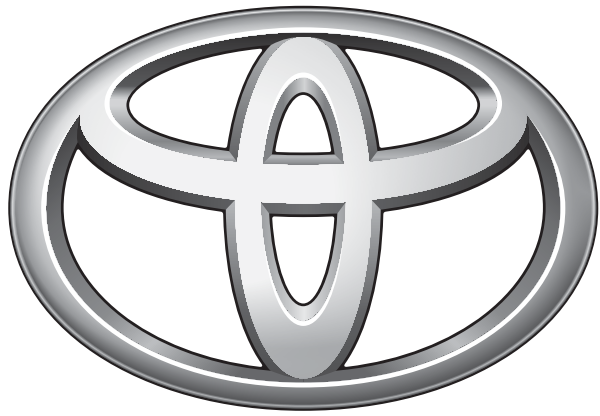


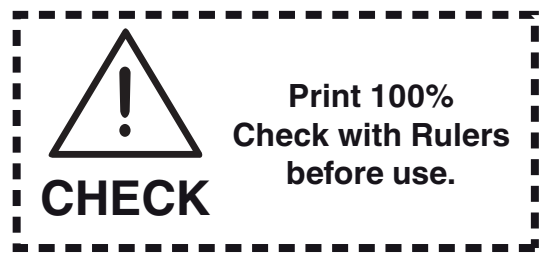
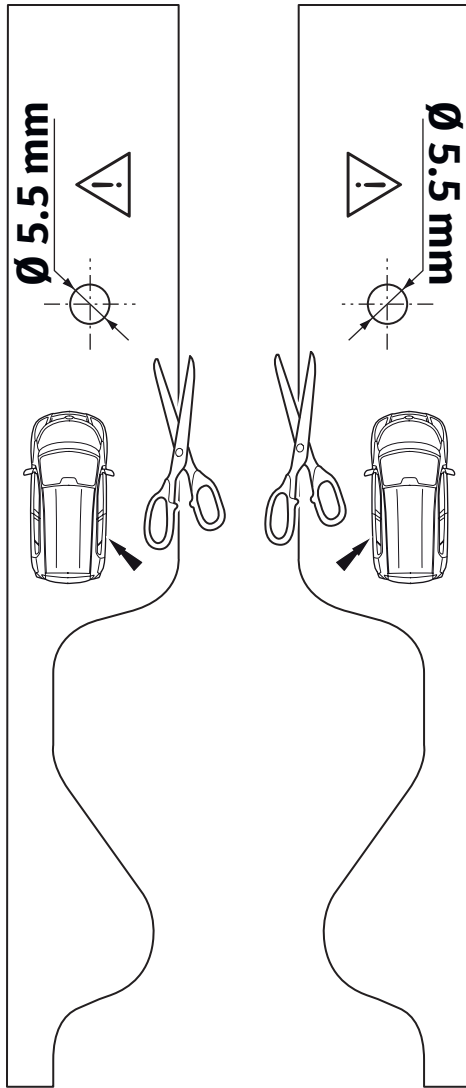
 **CHECK**

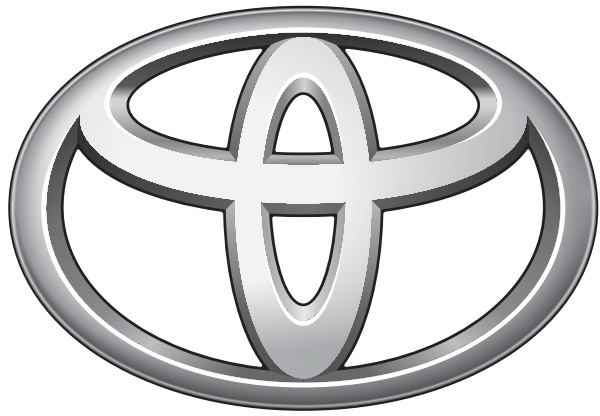
Print 100%
Check with Rulers
before use.

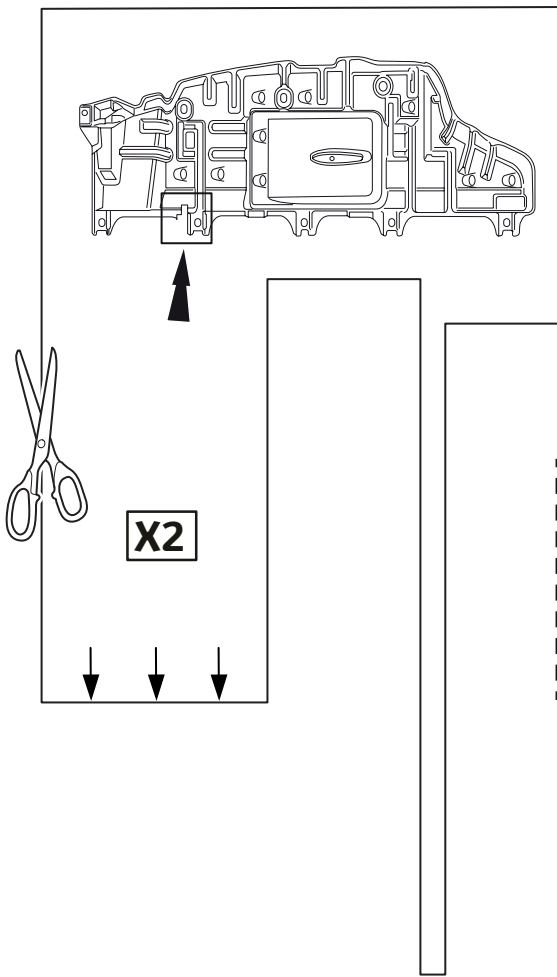







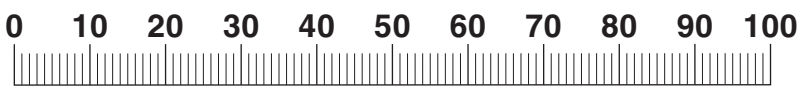
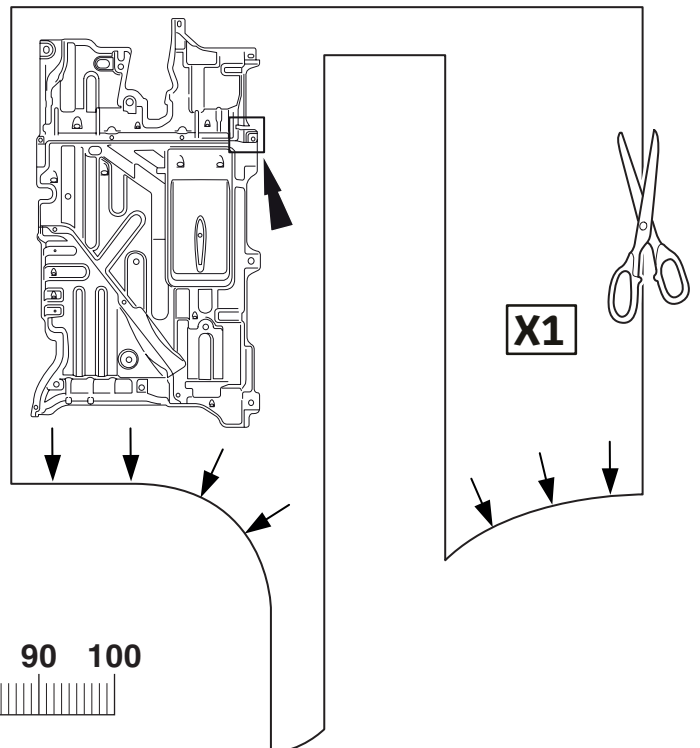


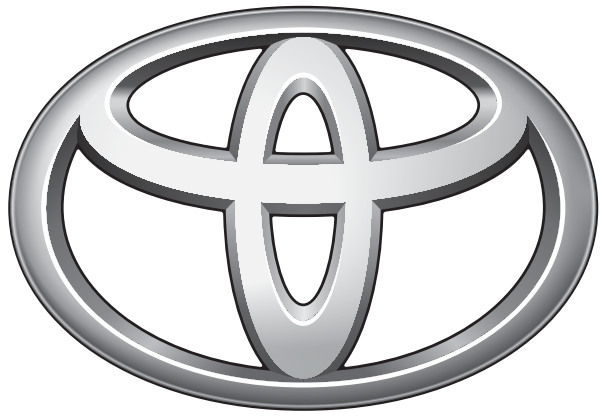





CHECK

Print 100%
 Check with Rulers
 before use.





CHECK SHEET



TOYOTA

Model / Year Highlander
2013/11

Side Steps

VIN n°

ALWAYS A BETTER WAY

P/N = OK

Serial Number 1

Serial Number 2

=A **=B**

S **!**

CLICK **CLICK**

RH

LH

LH **RH**

LH **RH**

1

		A	B
1	51Nm (2x)	<input type="checkbox"/>	<input type="checkbox"/>
2	7Nm (2x)	<input type="checkbox"/>	<input type="checkbox"/>

LH **RH**

3 **4**

		A	B
3	6Nm (2x)	<input type="checkbox"/>	<input type="checkbox"/>
4	7Nm (2x)	<input type="checkbox"/>	<input type="checkbox"/>

LH **RH**

5 **6**

		A	B
5	80Nm (2x)	<input type="checkbox"/>	<input type="checkbox"/>
6	7Nm (2x)	<input type="checkbox"/>	<input type="checkbox"/>

RH

LH

LH **RH**

		A	B
LH	11Nm (3x)	<input type="checkbox"/>	<input type="checkbox"/>
RH	11Nm (3x)	<input type="checkbox"/>	<input type="checkbox"/>

RH

LH

LH **RH**

= OK

= OK

Installation Date:

... / ... / ...

Technician Name & Signature:

Stamp:

