



**TOYOTA**

ALWAYS A  
BETTER WAY

# Toyota C-HR

## Bumper corner protectors

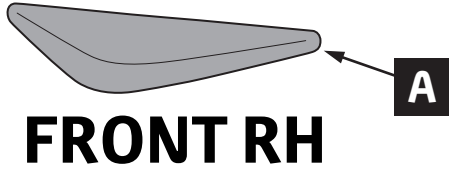
Installation instructions

Model year: 2016/10  
Vehicle code: \*\*X\*0\*-AH\*\*\*X  
\*\*X\*0\*-AH\*\*\*W  
Part number: PW177-10000

Manual reference number: AIM 003 735 - 0

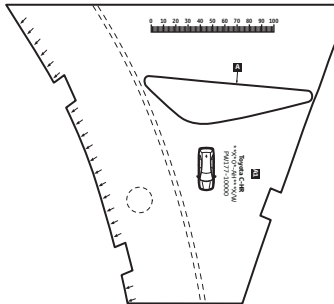
# Revision Record

Rev. No.	Date	Page	Picture	Update	New	Deleted steps



**FRONT RH**

PW177-10001

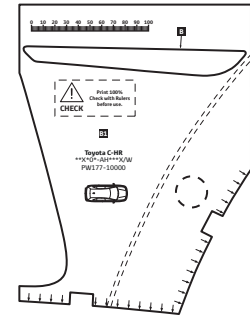


**A1**

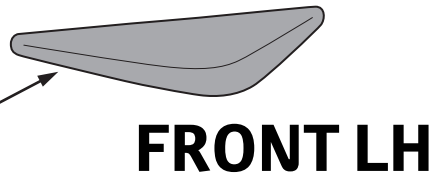


**REAR RH**

PW177-10003

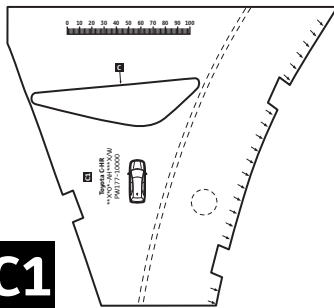


**B1**



**FRONT LH**

PW177-10002

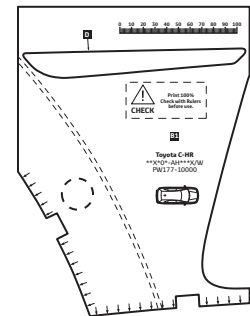


**C1**

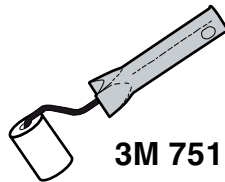


**REAR LH**

PW177-10004



**D1**



3M 751



3M 2010

# Compatibility Record

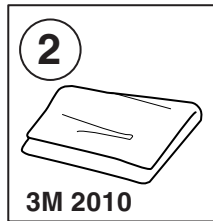
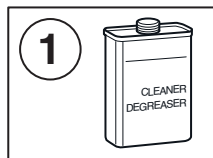
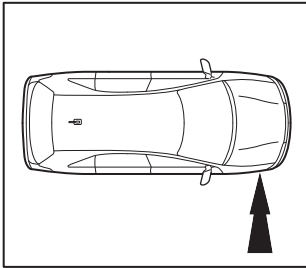
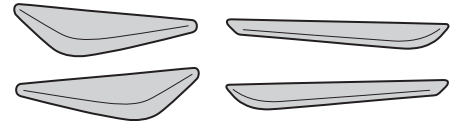
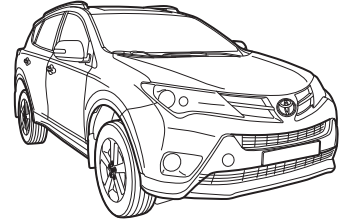
Toyota Parking Aid sensors = OK

BSM = OK



40°C

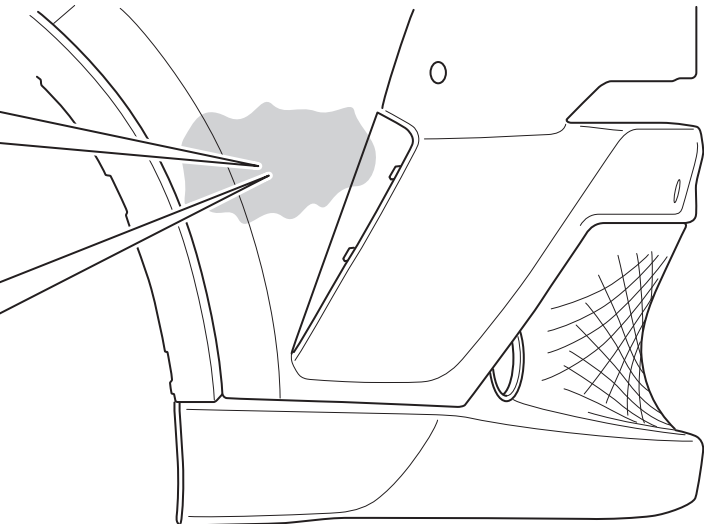
18°C



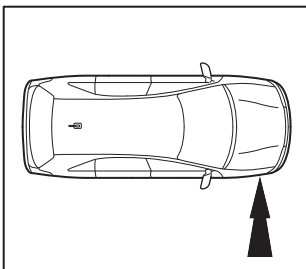
1

2

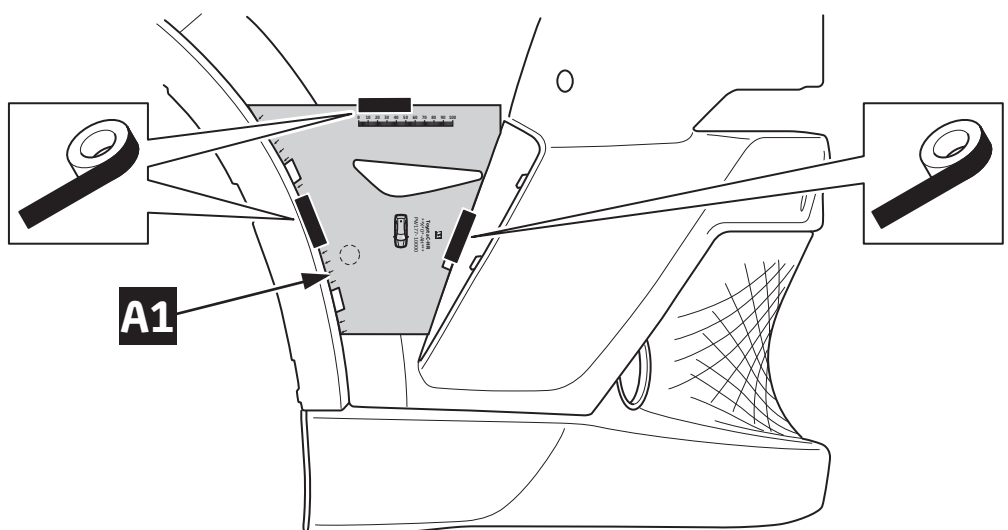
3M 2010



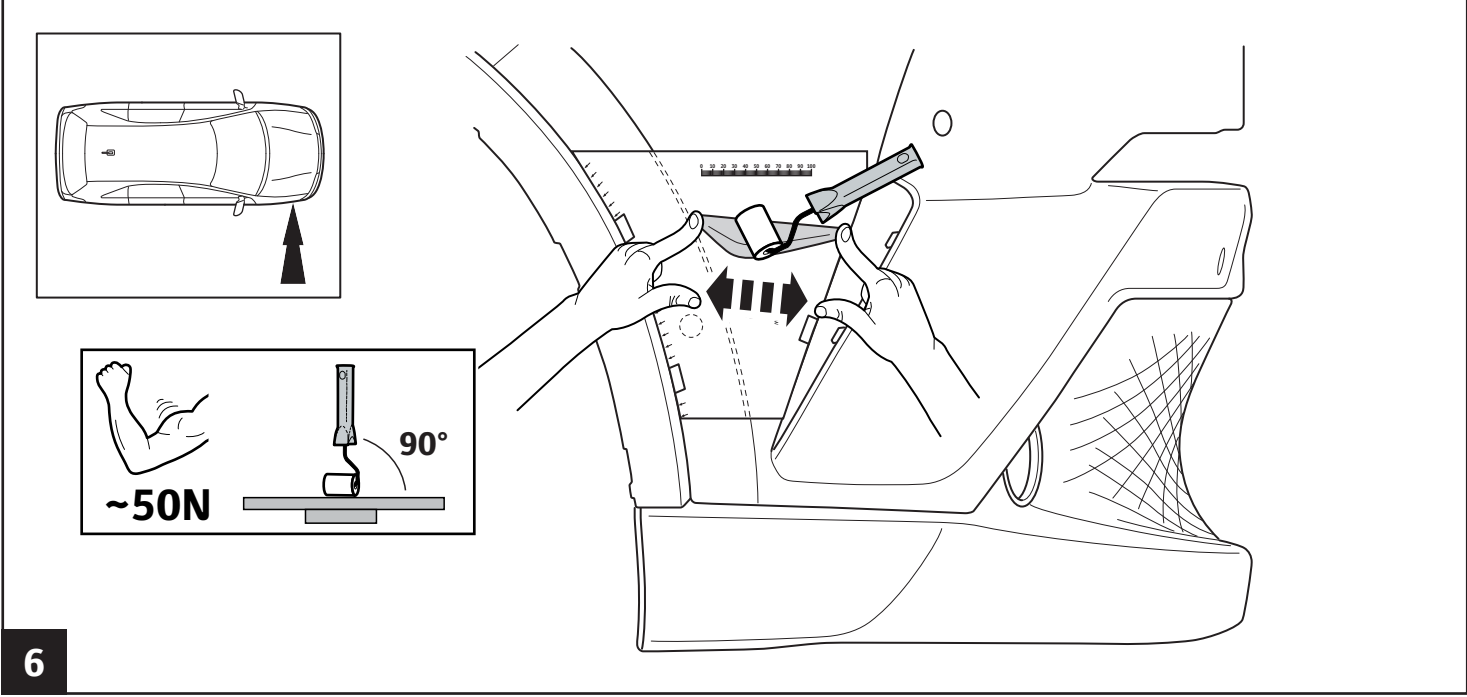
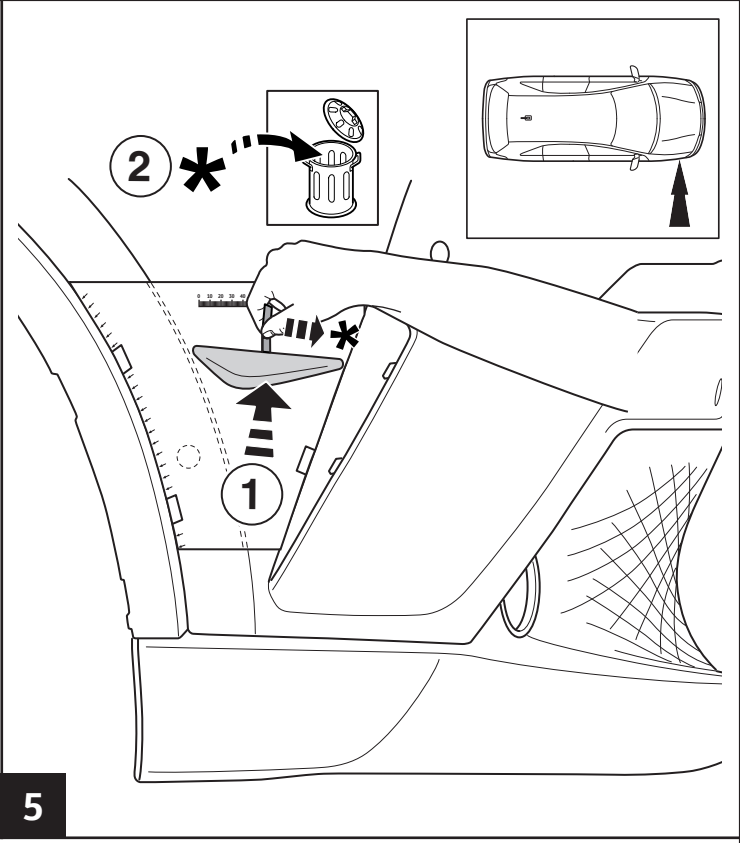
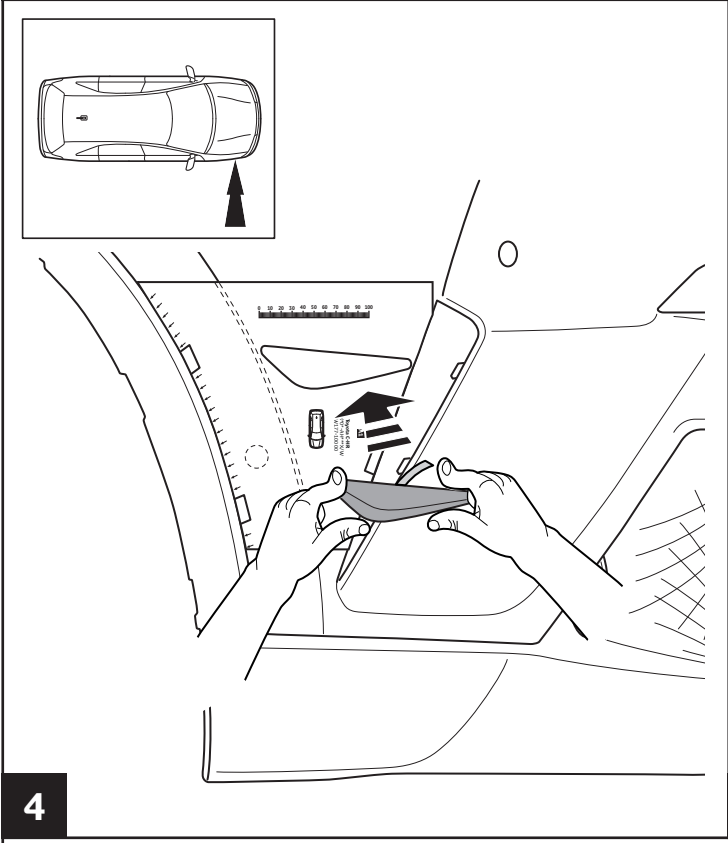
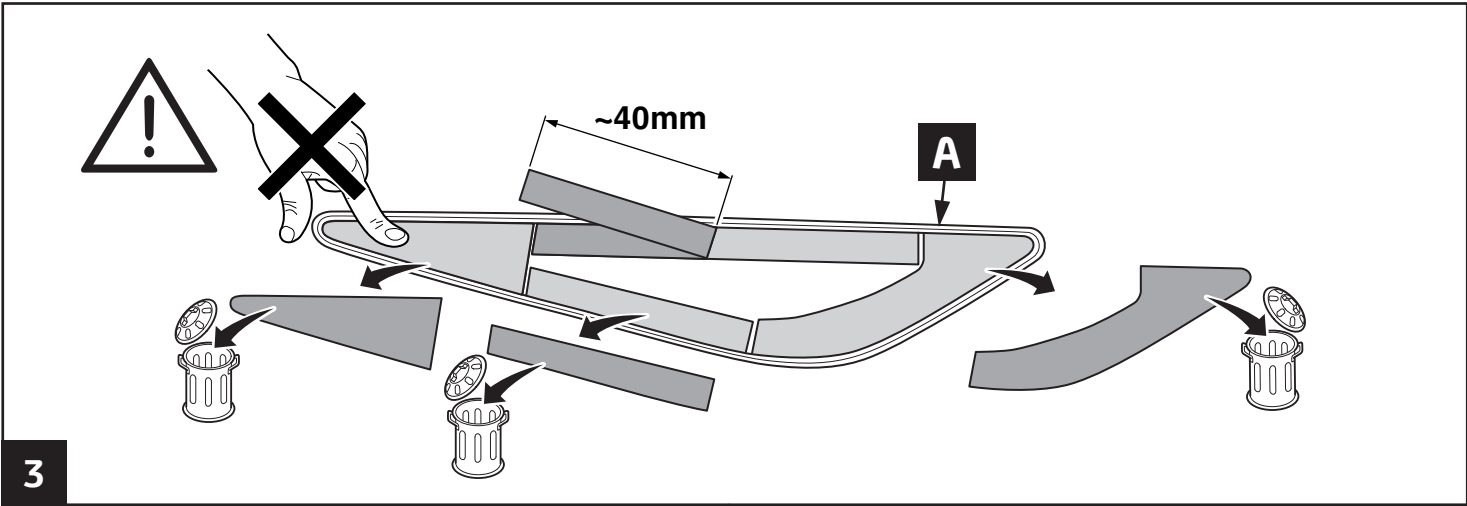
1

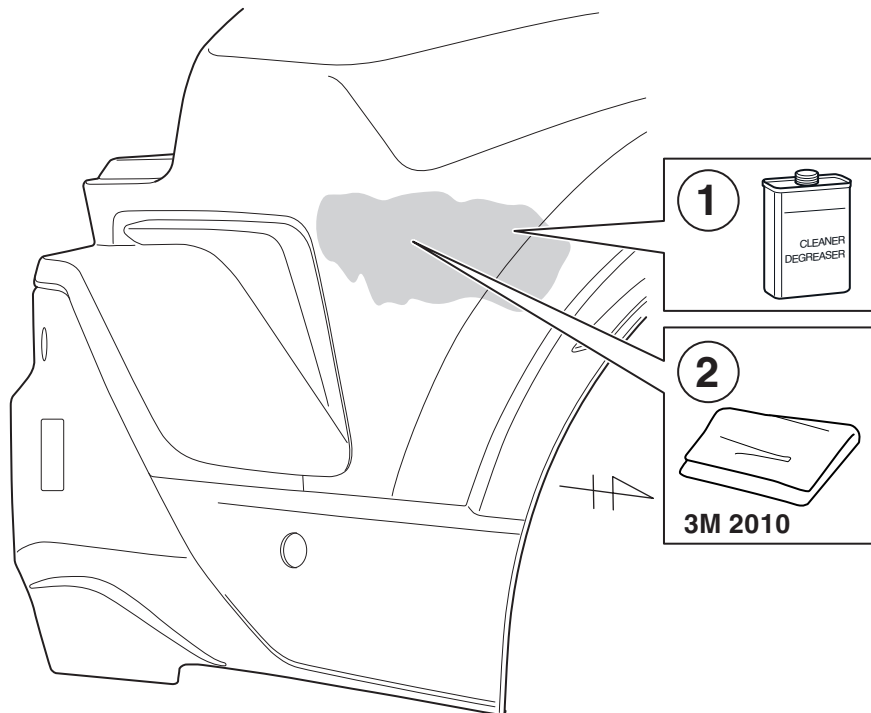
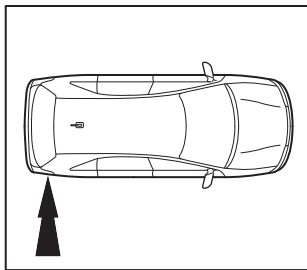


A1

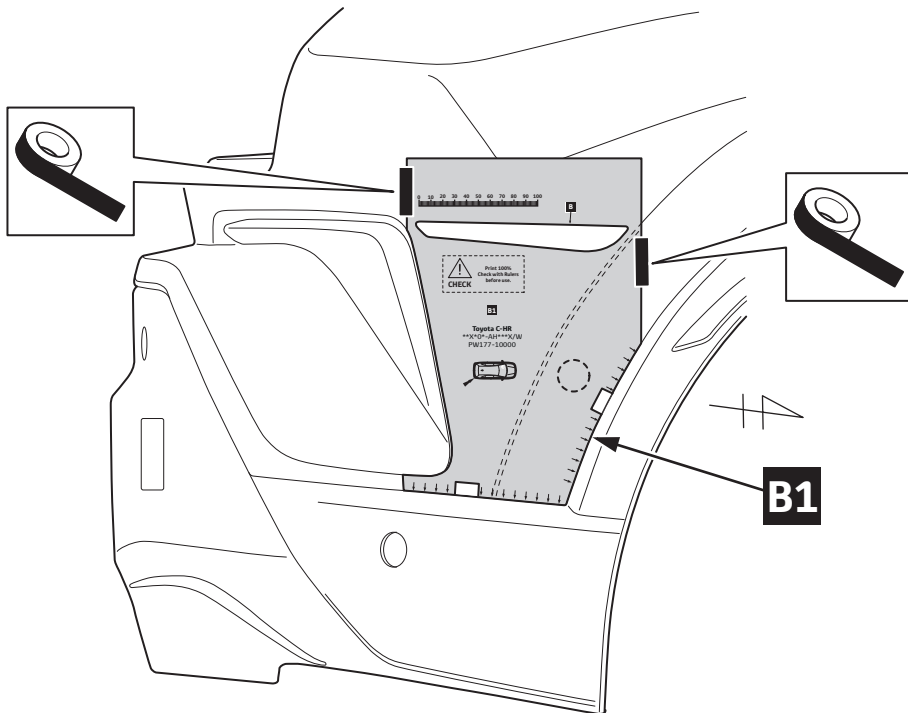
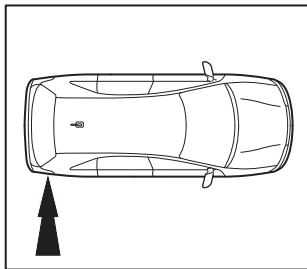


2

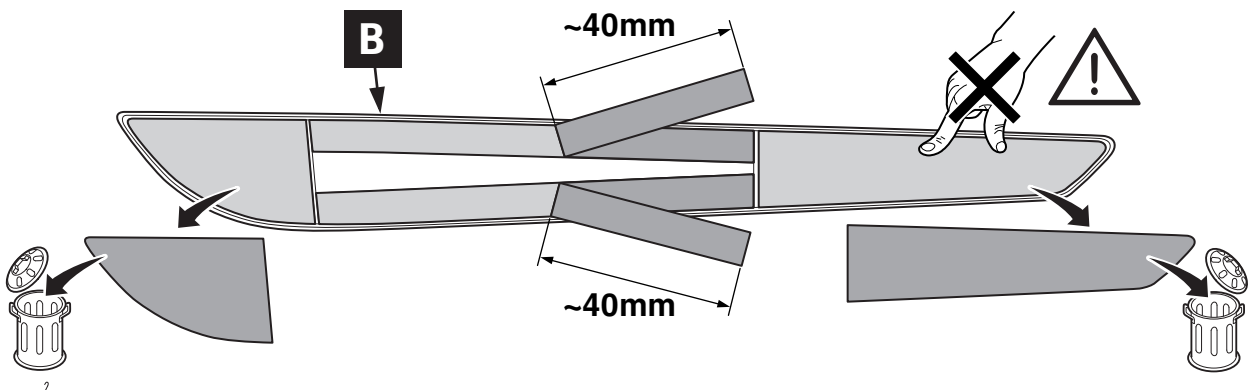




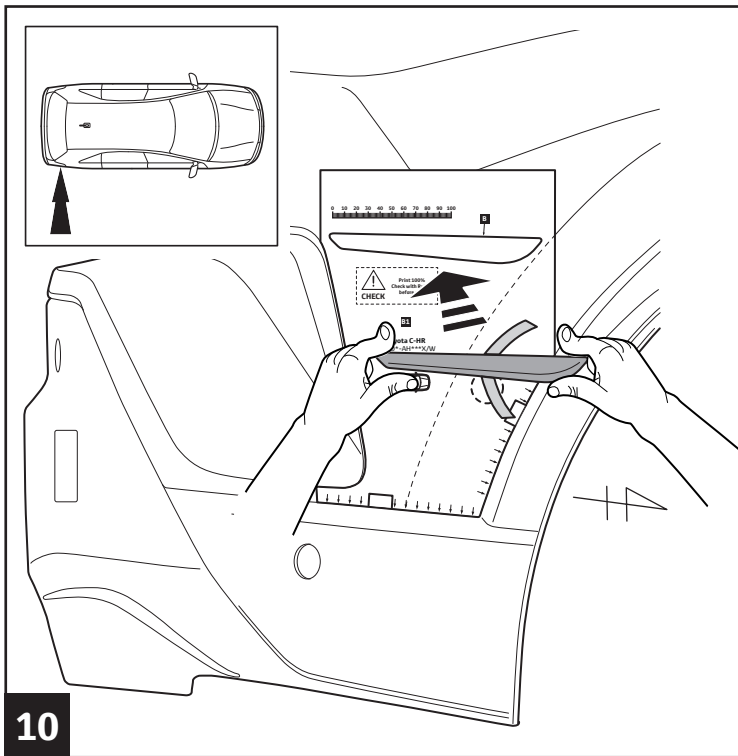
7



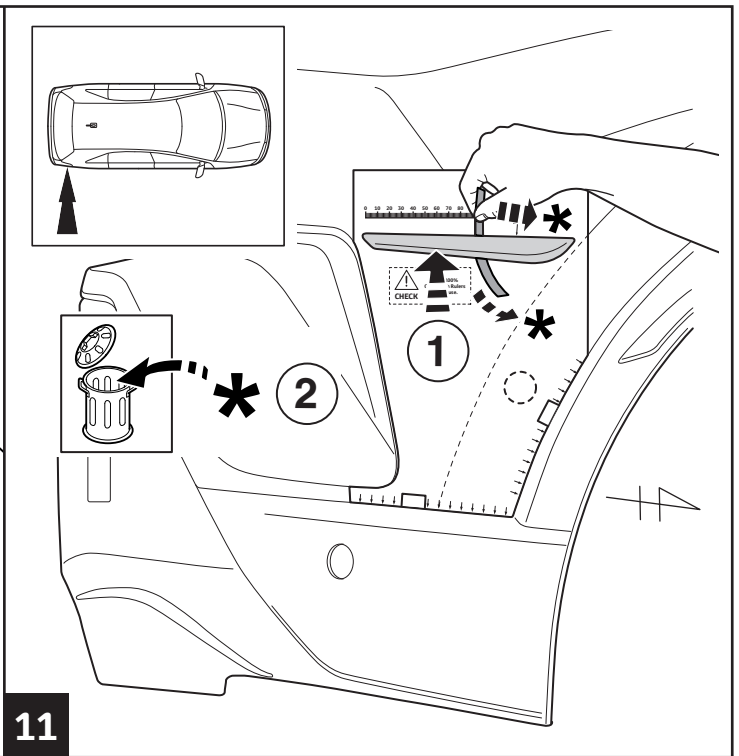
8



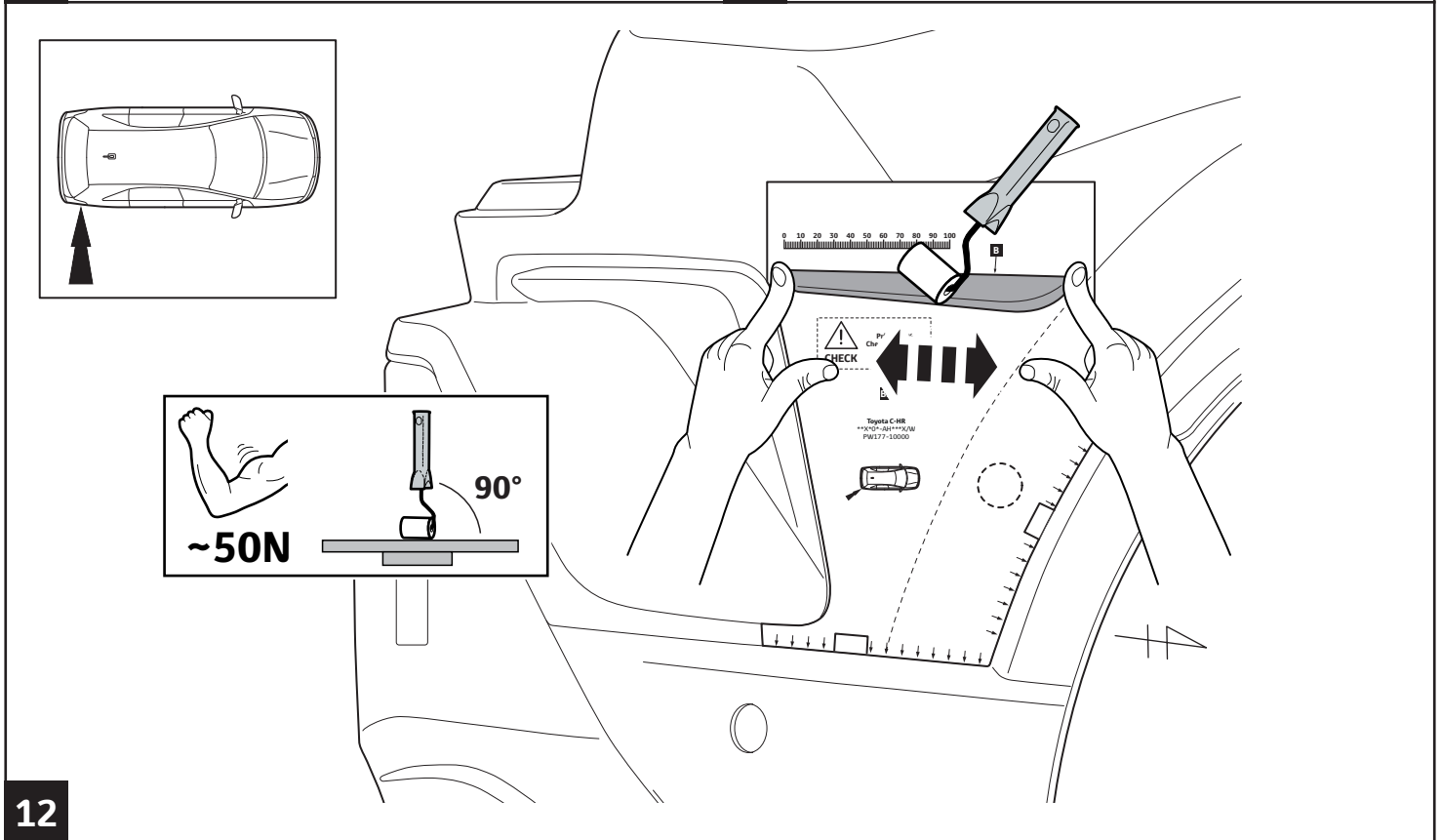
9



10



11



12

Fig.1 - Fig.12

**RHS**

**A B**

**A1 B1**

Fig.1 - Fig.12

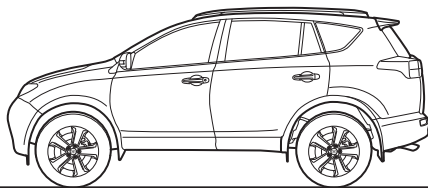
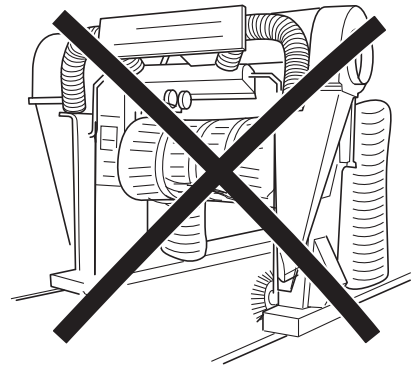
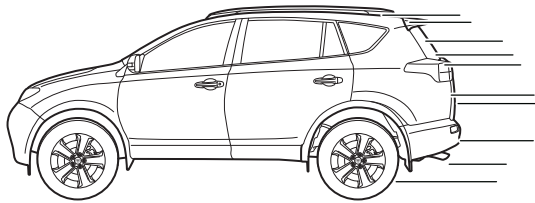
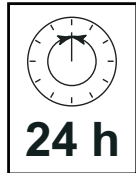
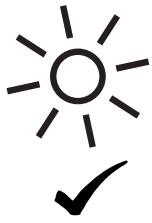
**LHS**

**C D**

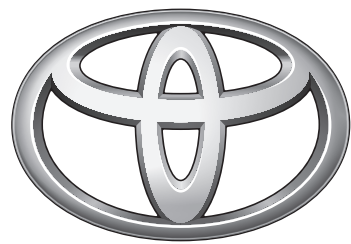
**C1 D1**

**=**

13



**> 1 meter**

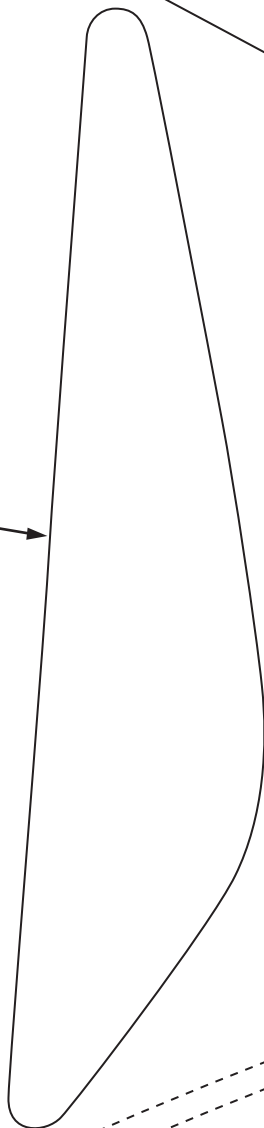


**TOYOTA**



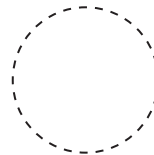
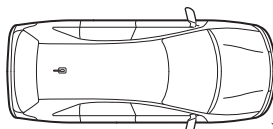



**A**



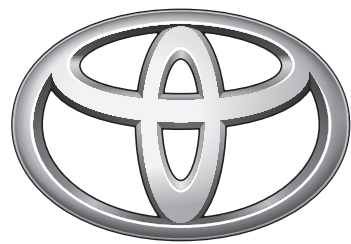
**A1**

**Toyota C-HR**  
\*\*X\*0\*-AH\*\*X/W  
PW177-10001



  
**CHECK**

Print 100%  
Check with Rulers  
before use.



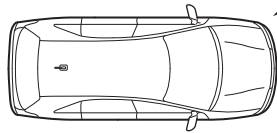
**TOYOTA**

0 10 20 30 40 50 60 70 80 90 100




**C1**

**Toyota C-HR**  
\*\*X\*0\*-AH\*\*X/W  
PW177-10002

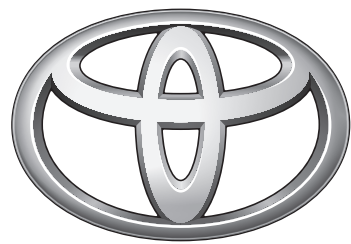


**C**

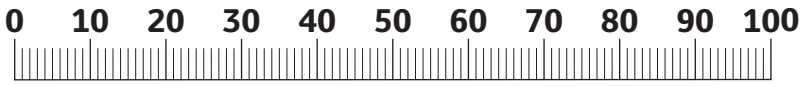


  
**CHECK**

**Print 100%**  
**Check with Rulers**  
**before use.**




**TOYOTA**



**B**

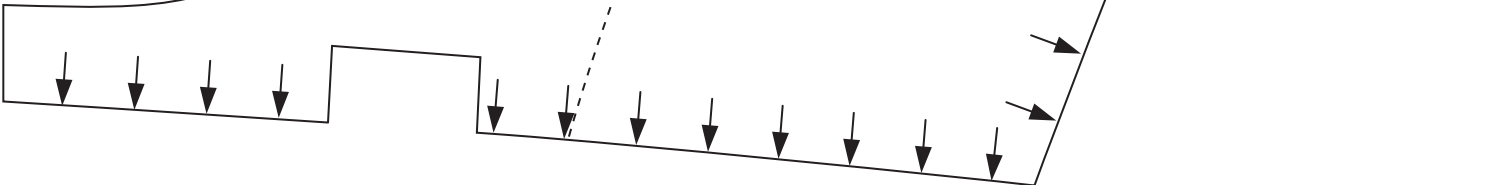
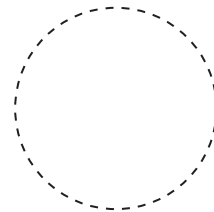
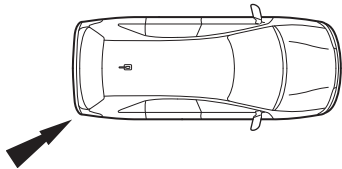


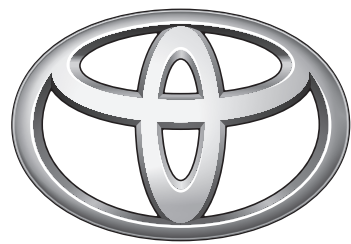
  
**CHECK**

Print 100%  
 Check with Rulers  
 before use.

**B1**

**Toyota C-HR**  
 \*\*X\*0\*-AH\*\*X/W  
 PW177-10003






**TOYOTA**



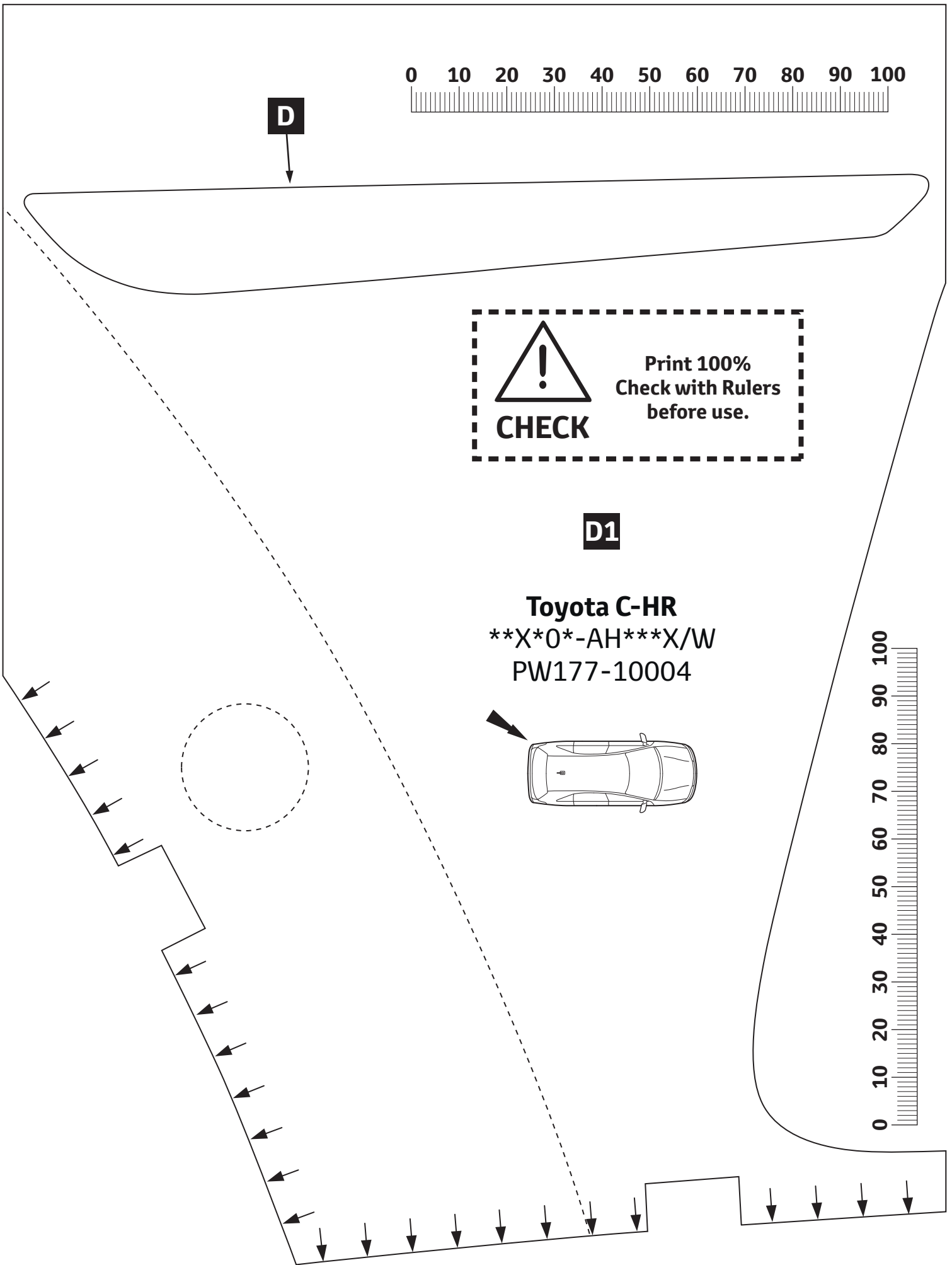
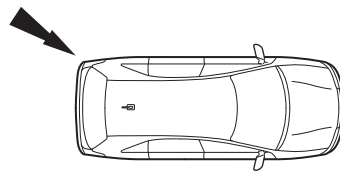
**D**

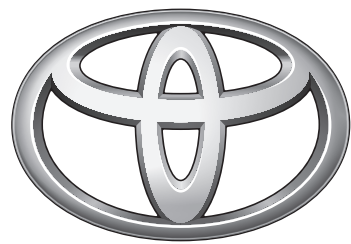
  
**CHECK**

Print 100%  
Check with Rulers  
before use.

**D1**

**Toyota C-HR**  
 \*\*X\*0\*-AH\*\*\*X/W  
 PW177-10004





**TOYOTA**



# CHECK SHEET



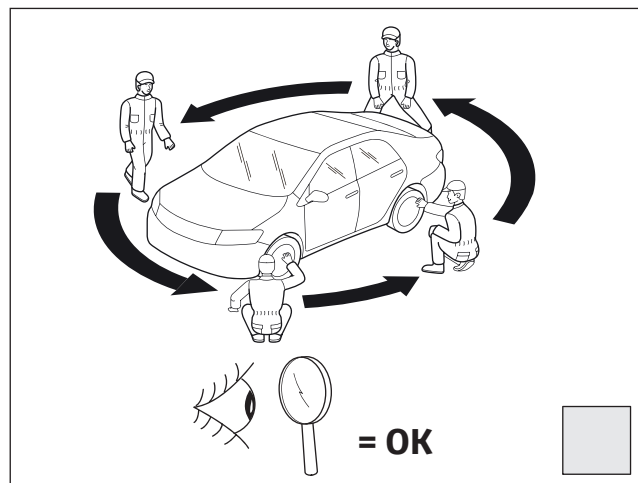
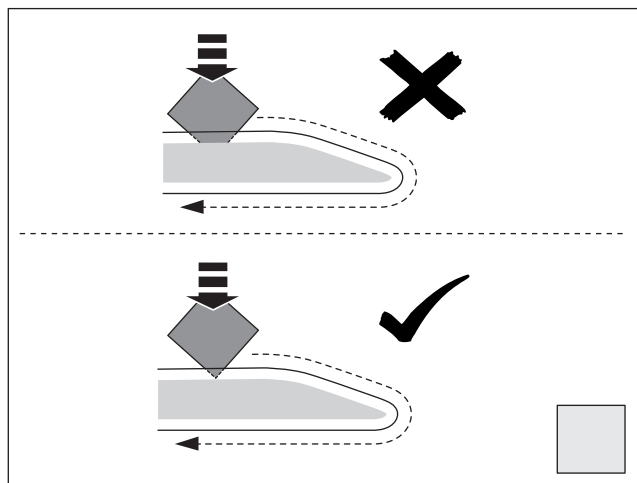
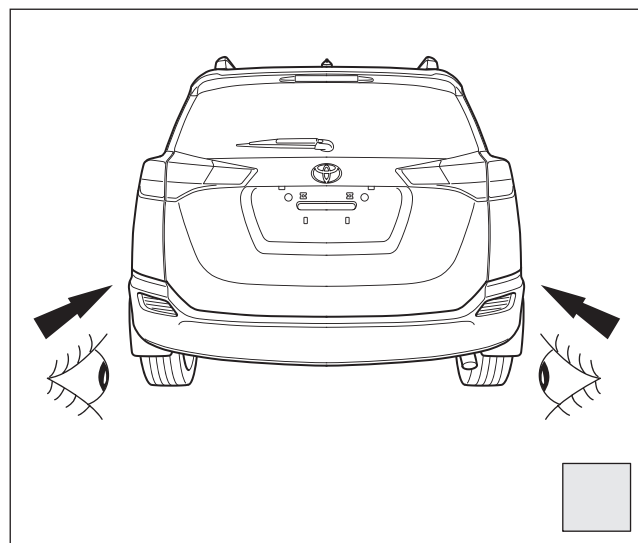
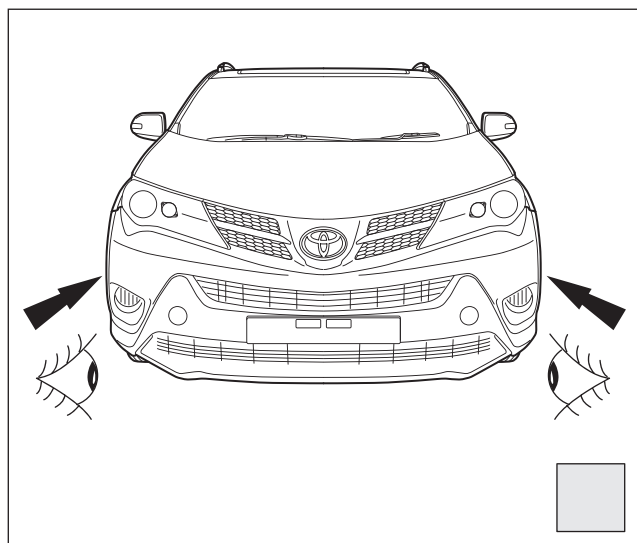
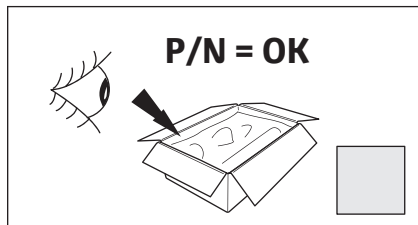
**TOYOTA**

Model / Year **Toyota C-HR**  
**2015/10**

**Bumper corner**  
**protectors**

VIN n°

ALWAYS A  
BETTER WAY



**Installation Date:**

.. / .. / .. .

**Technician Name & Signature:**

**Stamp:**