

Side Sills INSTALLATION INSTRUCTIONS NX

Model year	As from 2021/09
Vehicle code	*AZ*2**-AW*LBW
Part number	PW156-78010-** PW156-78020-24 (for Russia only)

Revision Record

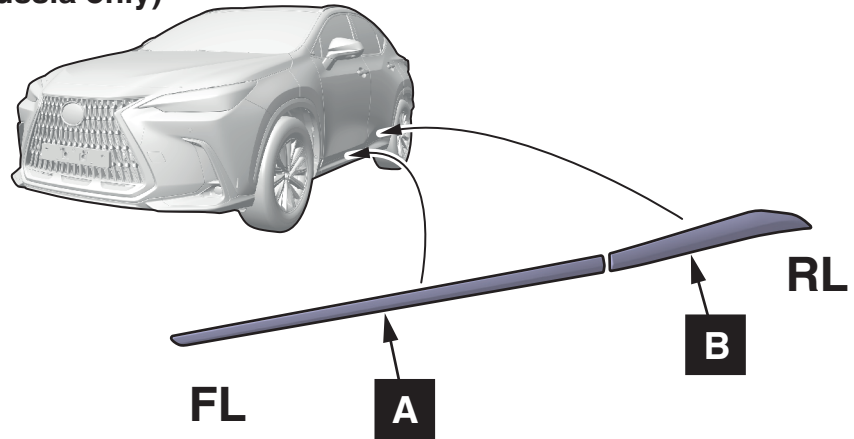
Rev. No.	Date	Page	Step	Remarks

KIT CONTENT

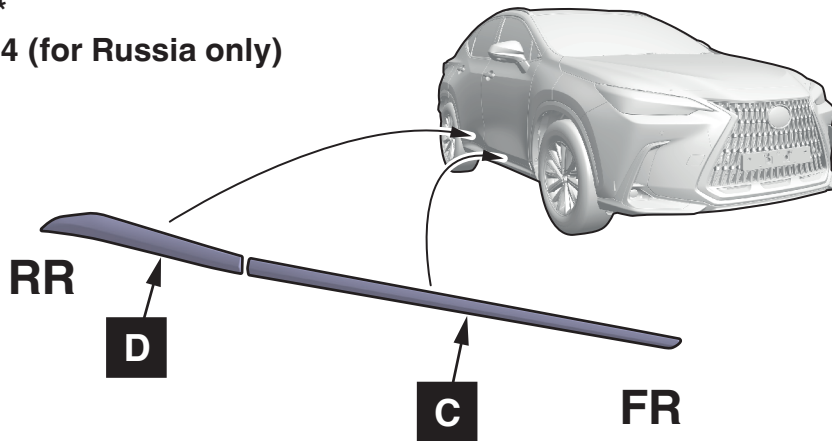
PW156-78010-**
PW156-78020-24 (for Russia only)



PW156-78011-**
PW156-78021-24 (for Russia only)



PW156-78012-**
PW156-78022-24 (for Russia only)



TOOLS - CONSUMABLES & PPE



		<p>Masking Tape</p>	
			<p>50N</p>

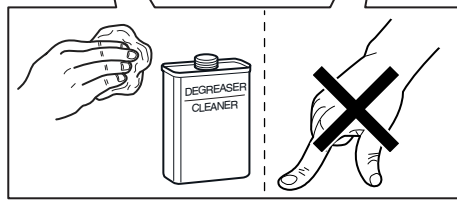
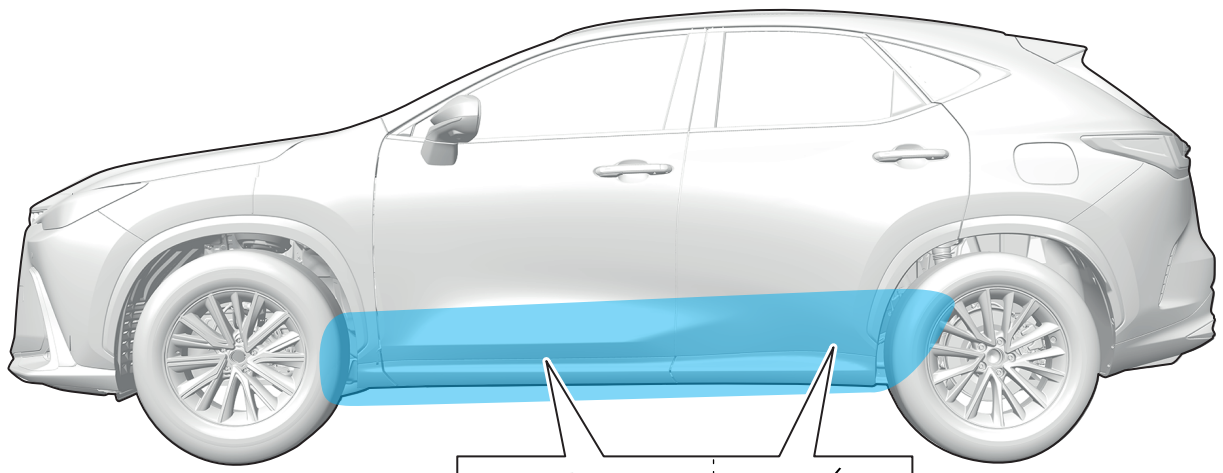
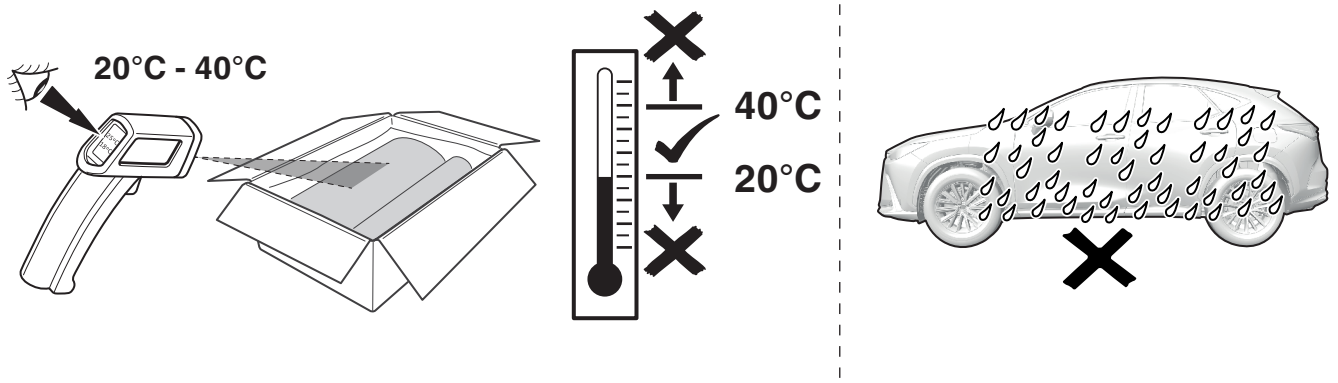
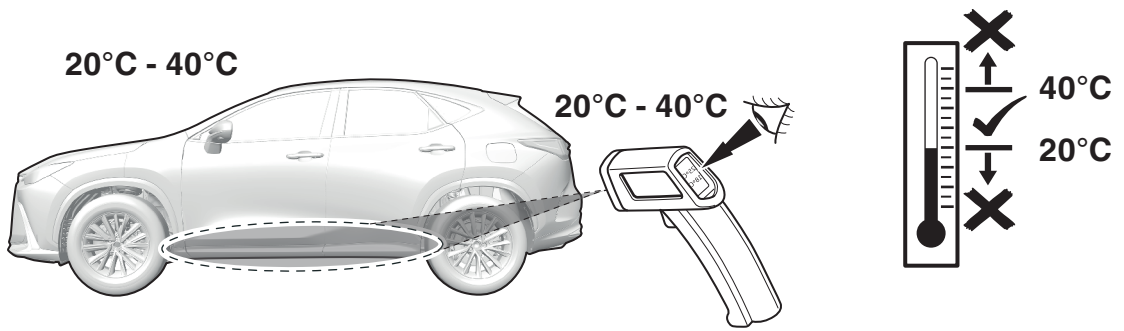
INFORMATION



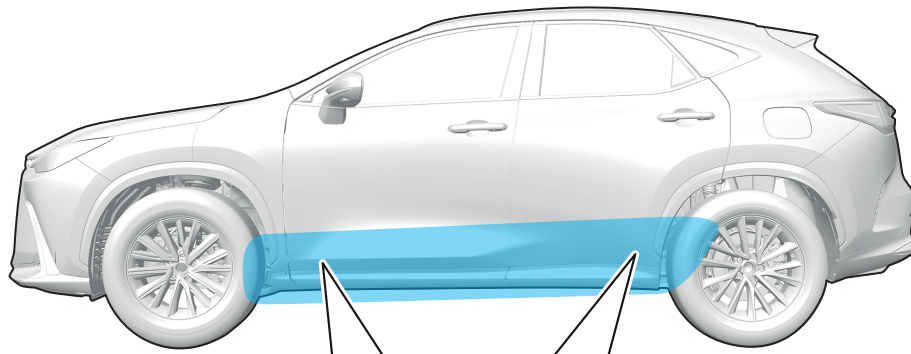
Material Safety Data Sheet

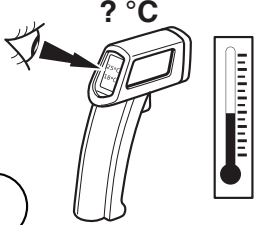
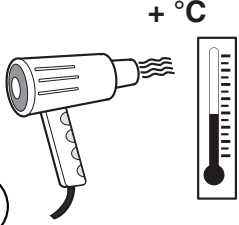
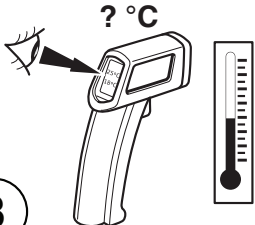





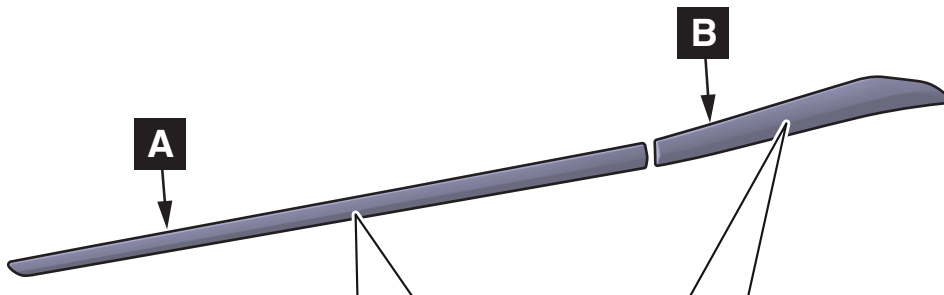
Technical Data Sheet

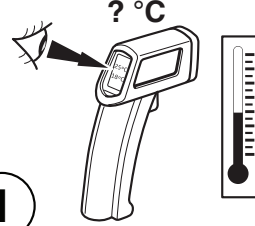
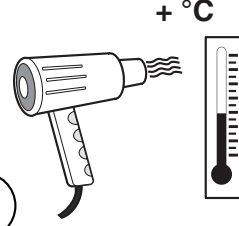
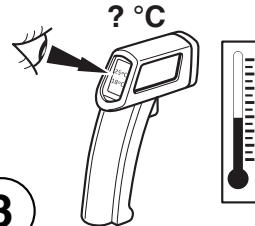





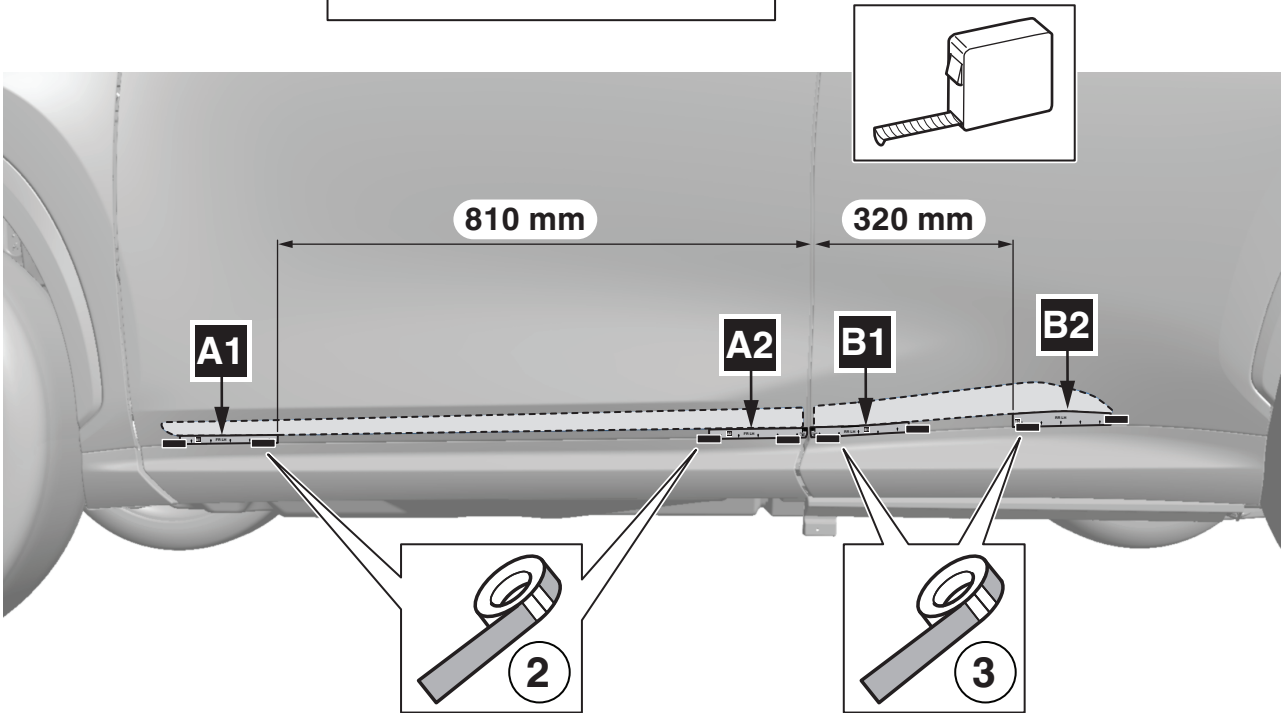
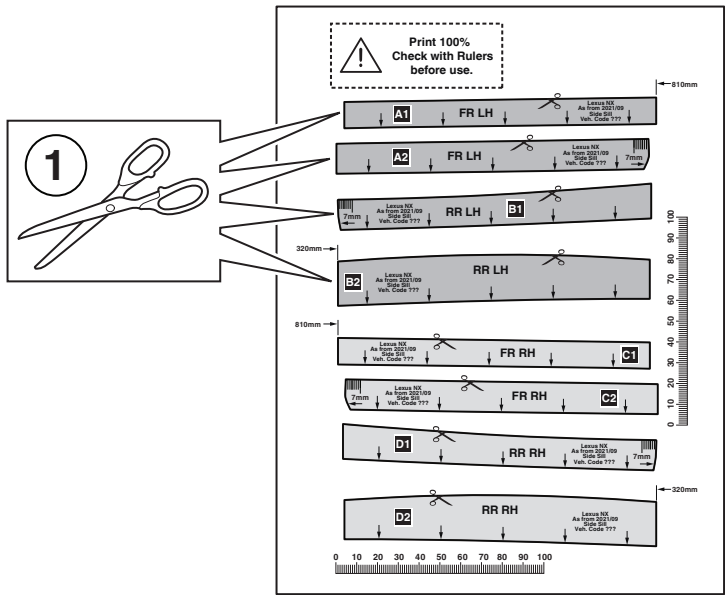
1



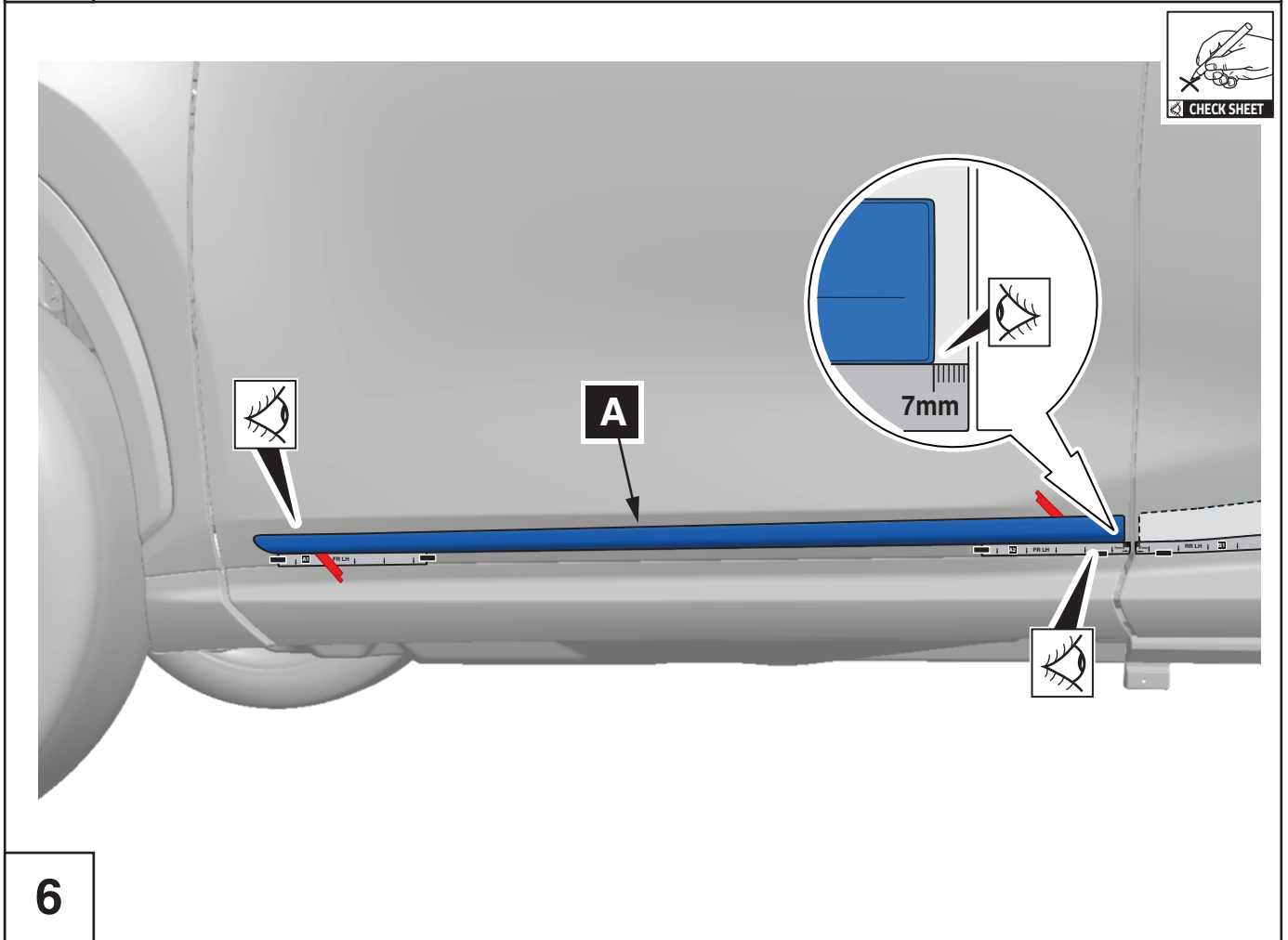
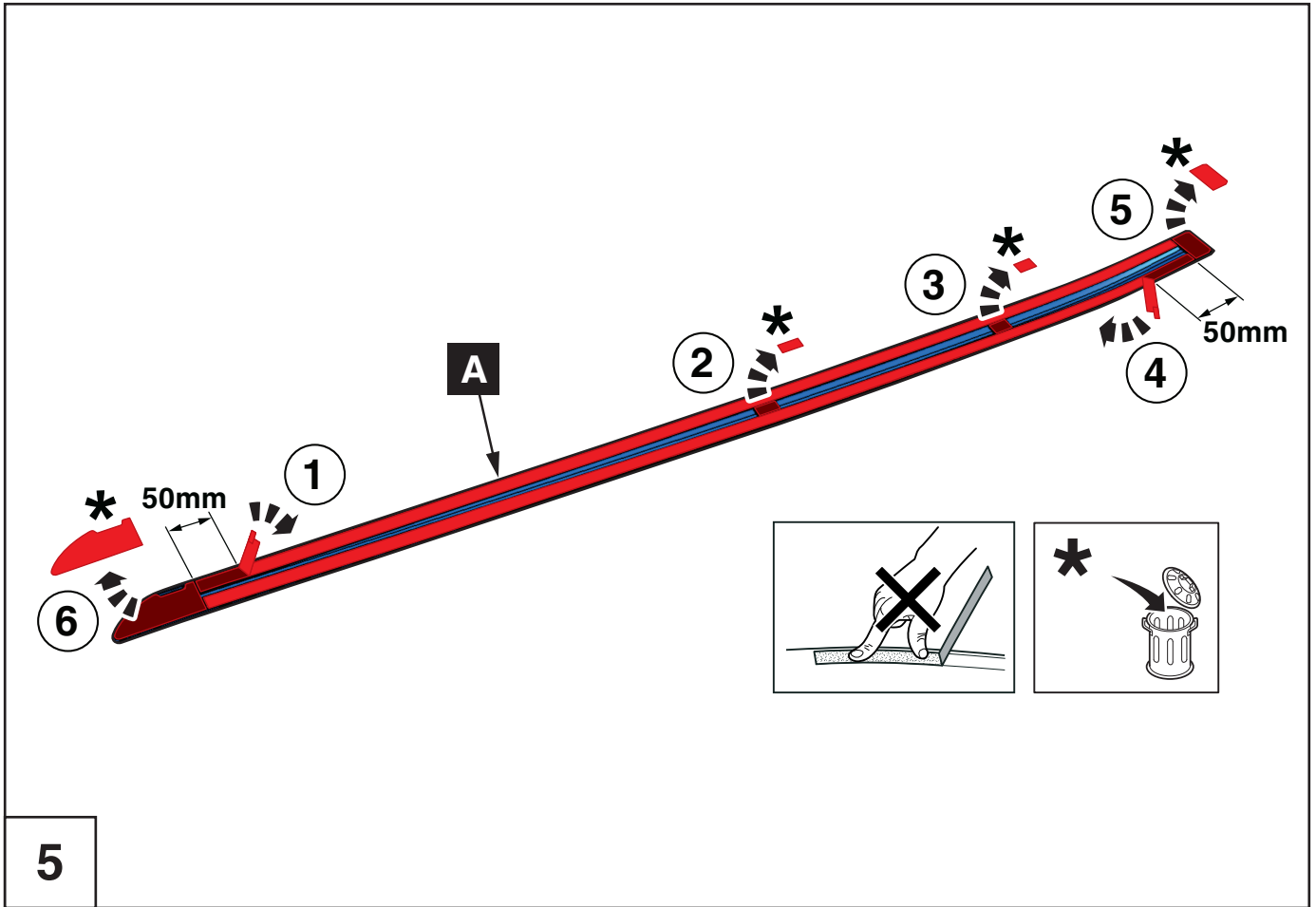
2	 1	$< 20^{\circ}\text{C}$ → 2 $20^{\circ}\text{C} - 40^{\circ}\text{C}$ → 3	 2
	 3	$20^{\circ}\text{C} - 40^{\circ}\text{C}$ → 3	INFO  2 → 11  

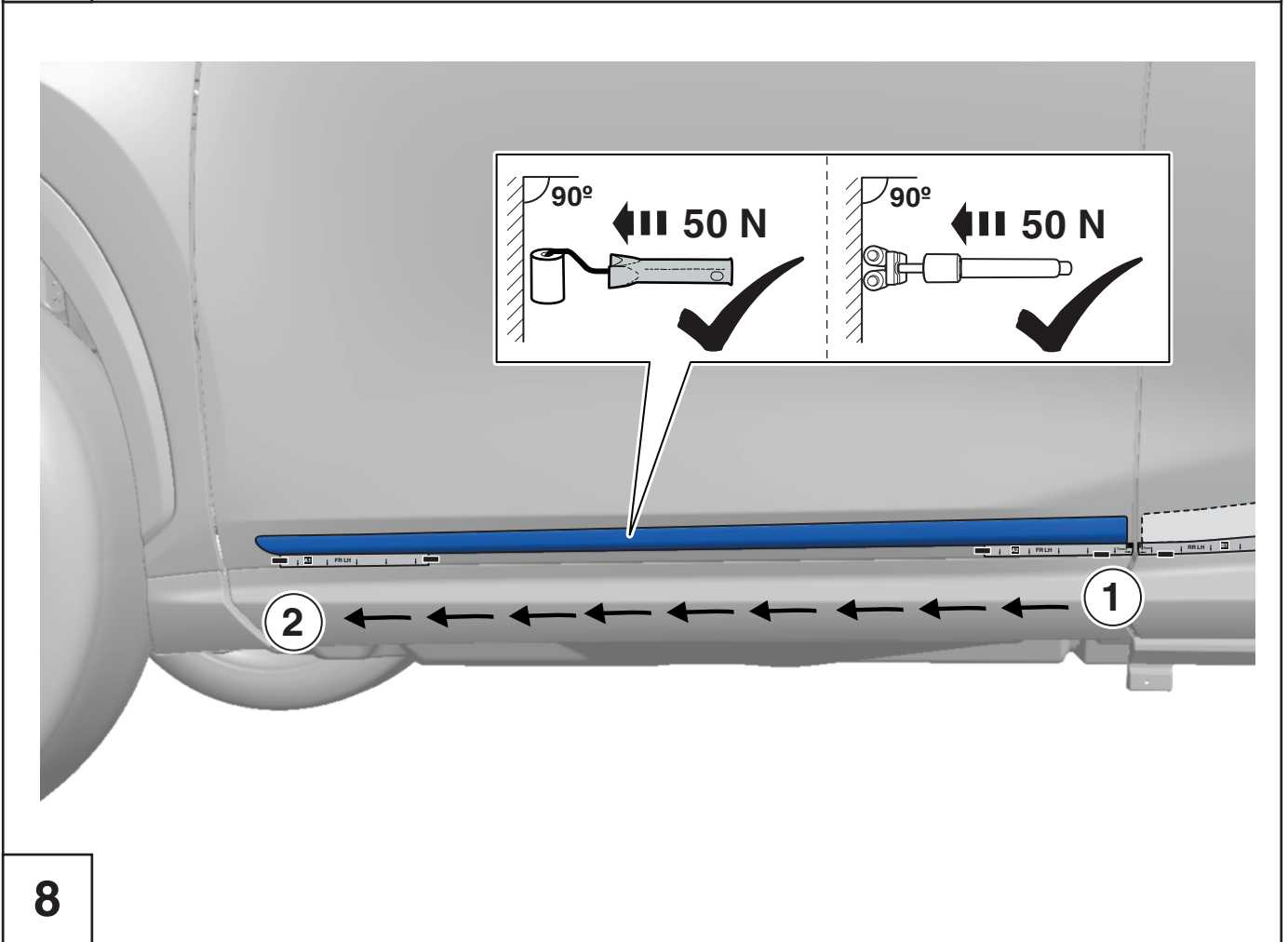
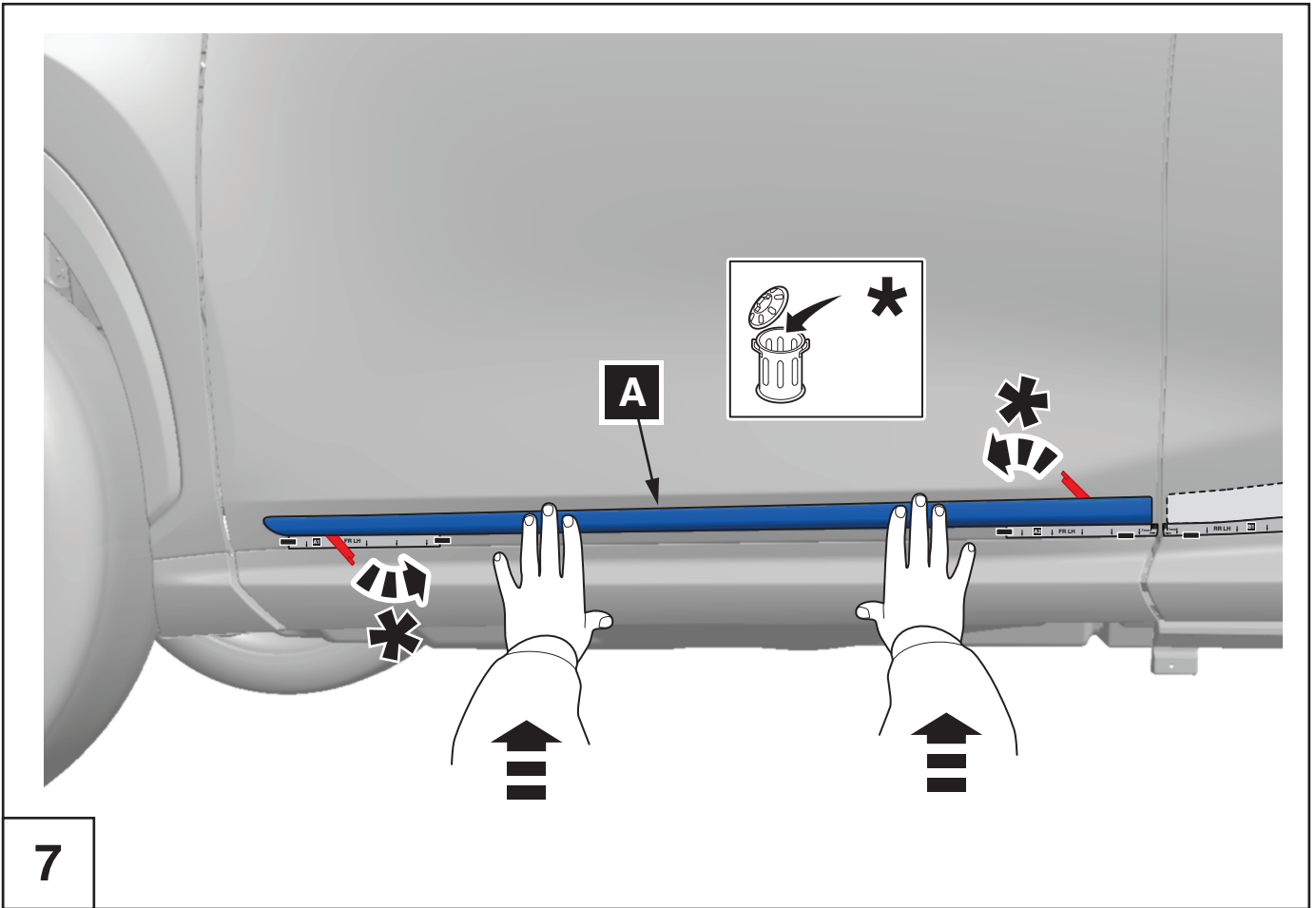


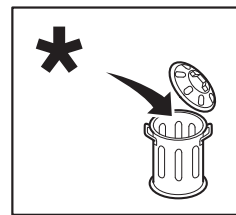
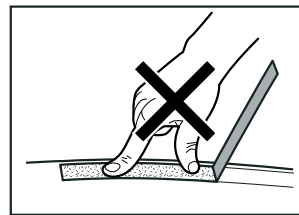
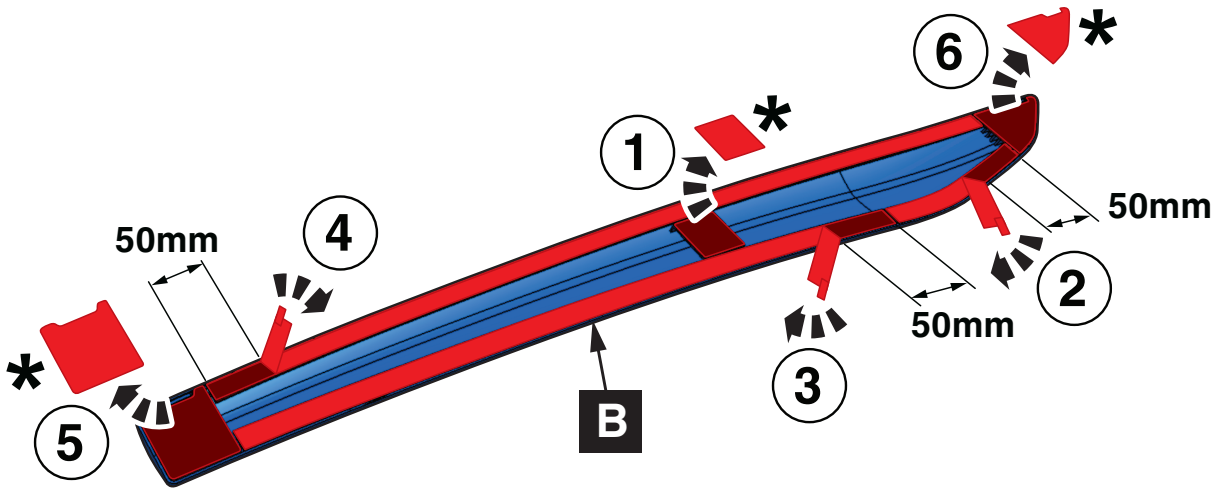
3	 1	$< 20^{\circ}\text{C}$ → 2 $20^{\circ}\text{C} - 40^{\circ}\text{C}$ → 4	 2
	 3	$20^{\circ}\text{C} - 40^{\circ}\text{C}$ → 4	INFO  3 → 11  



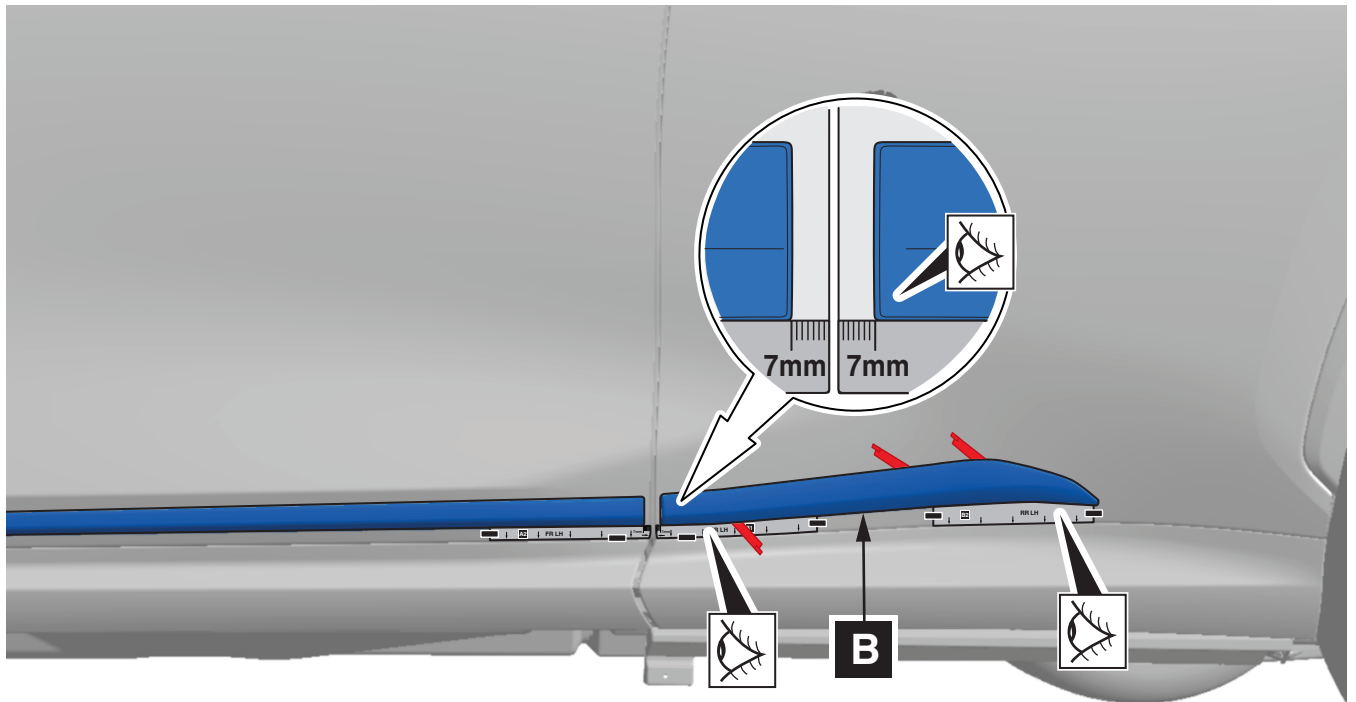
4



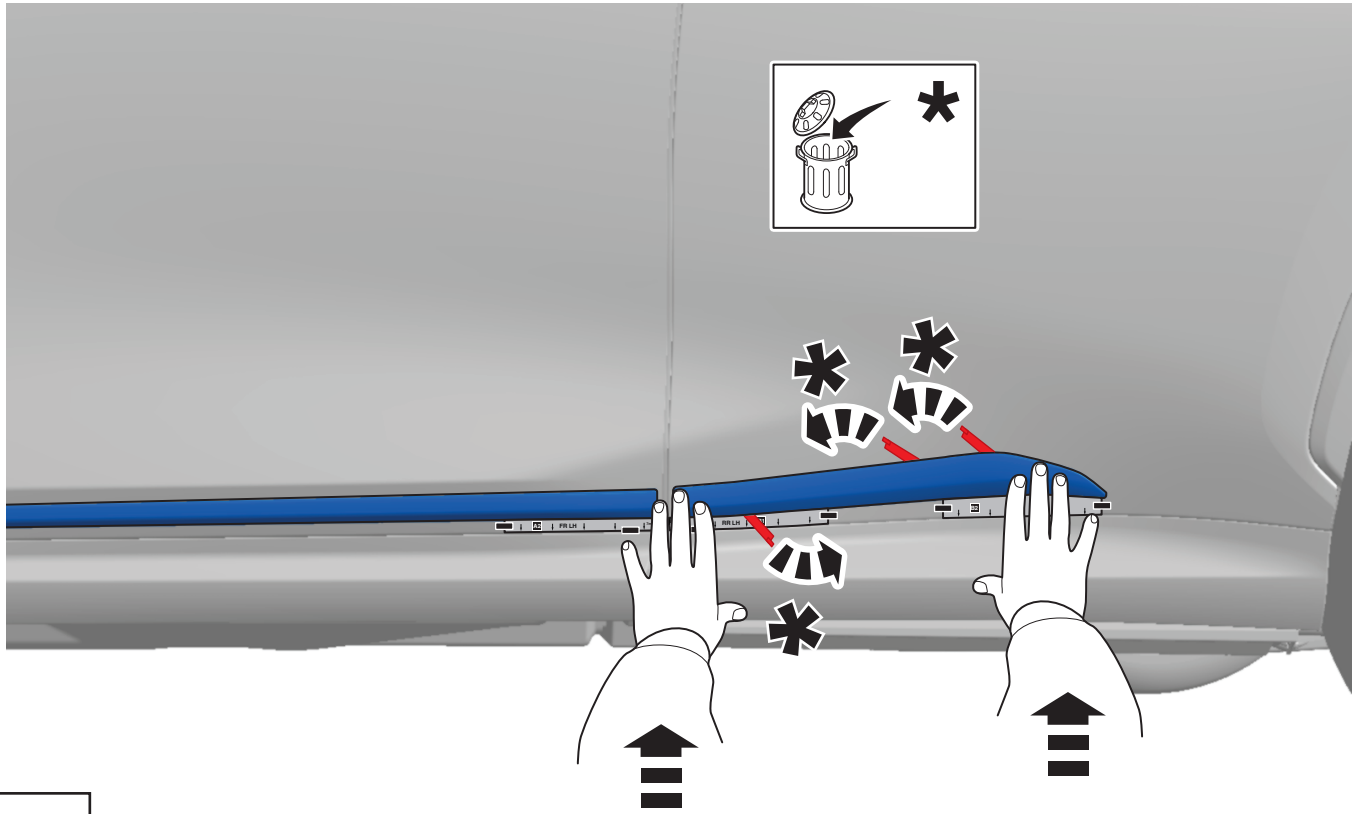




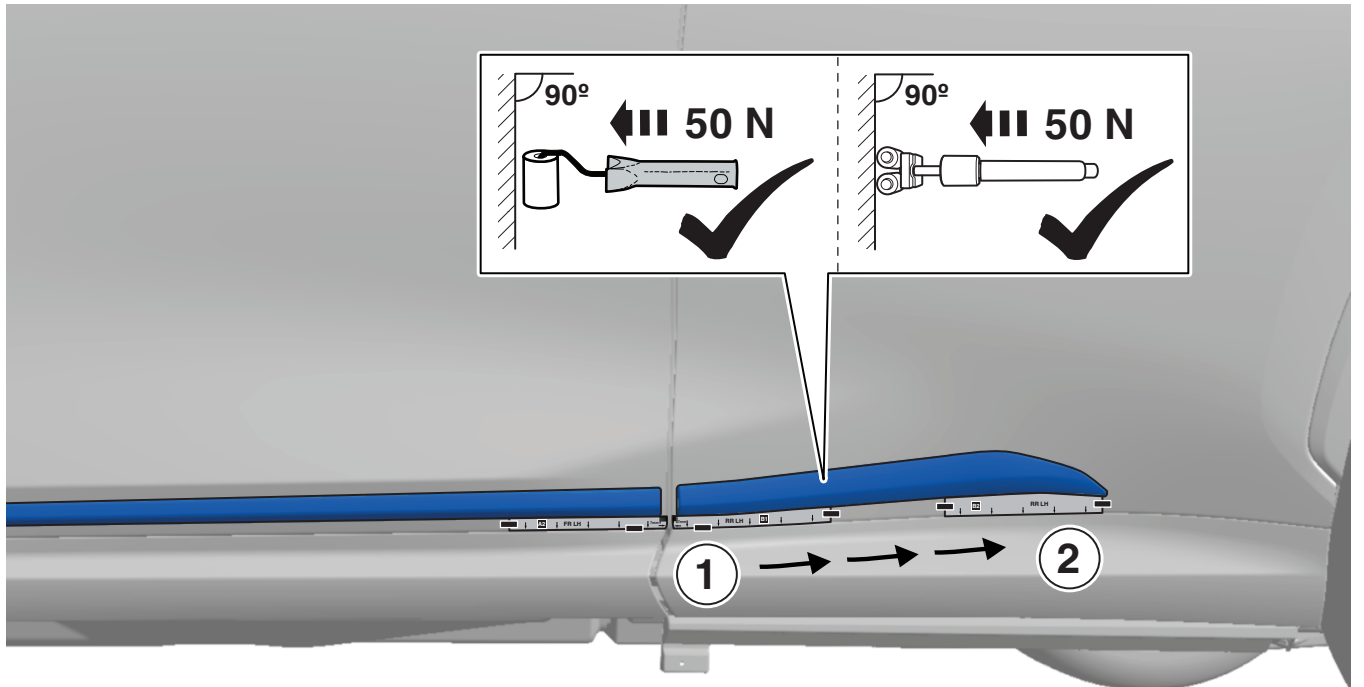
9



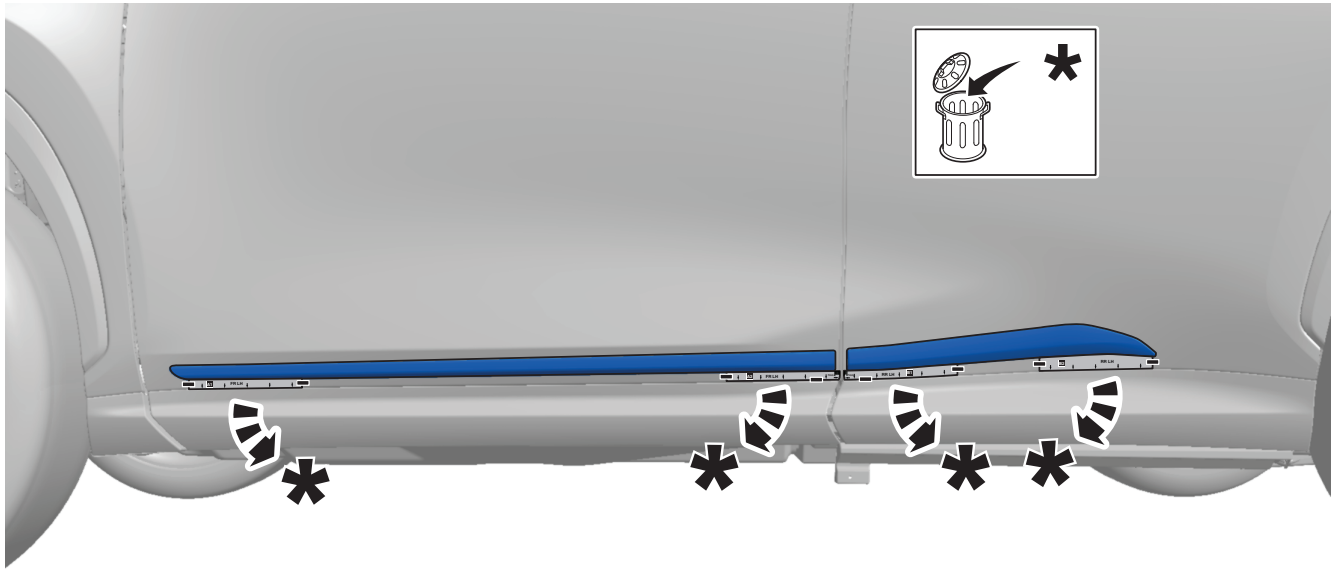
10



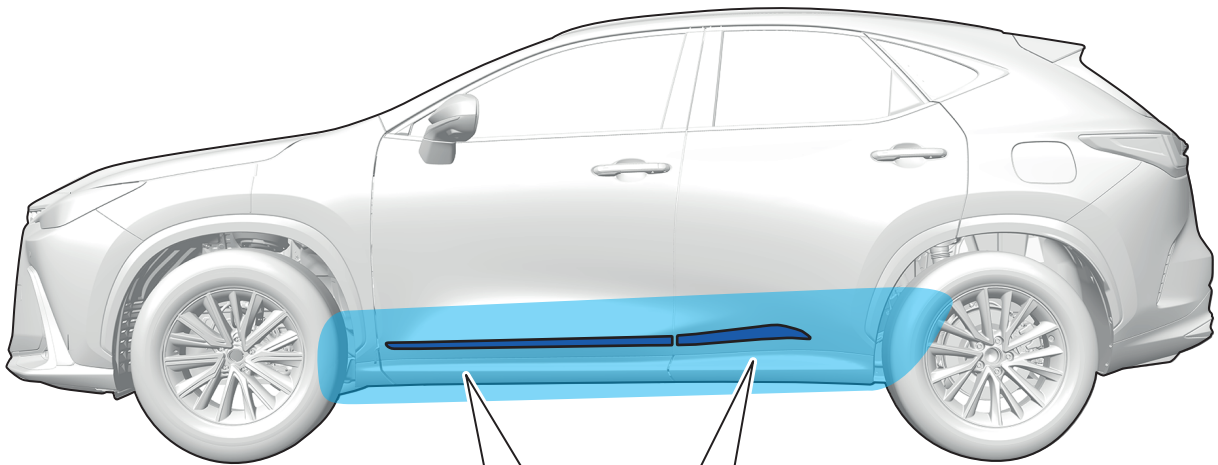
11



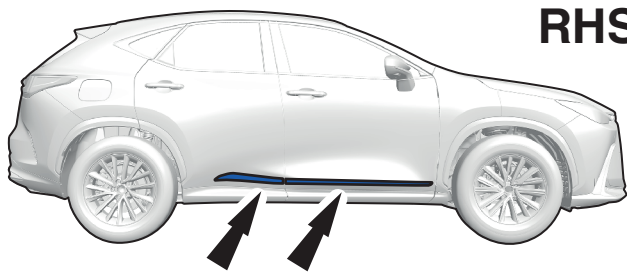
12



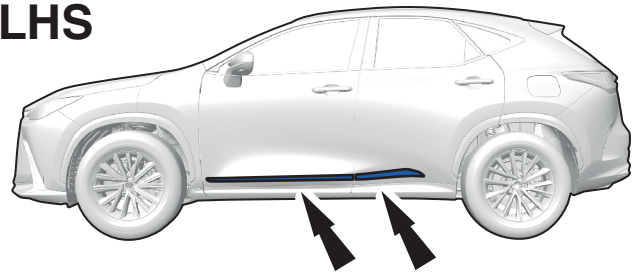
13



14

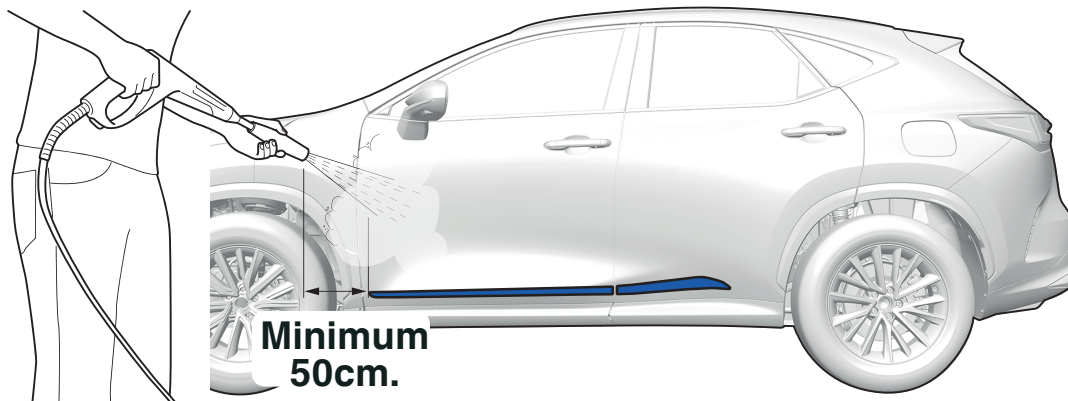
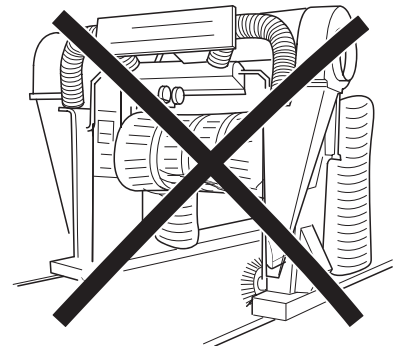
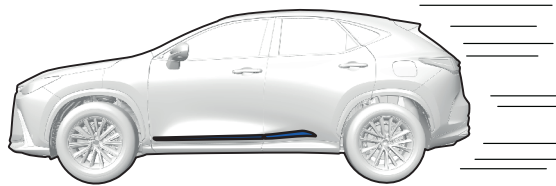


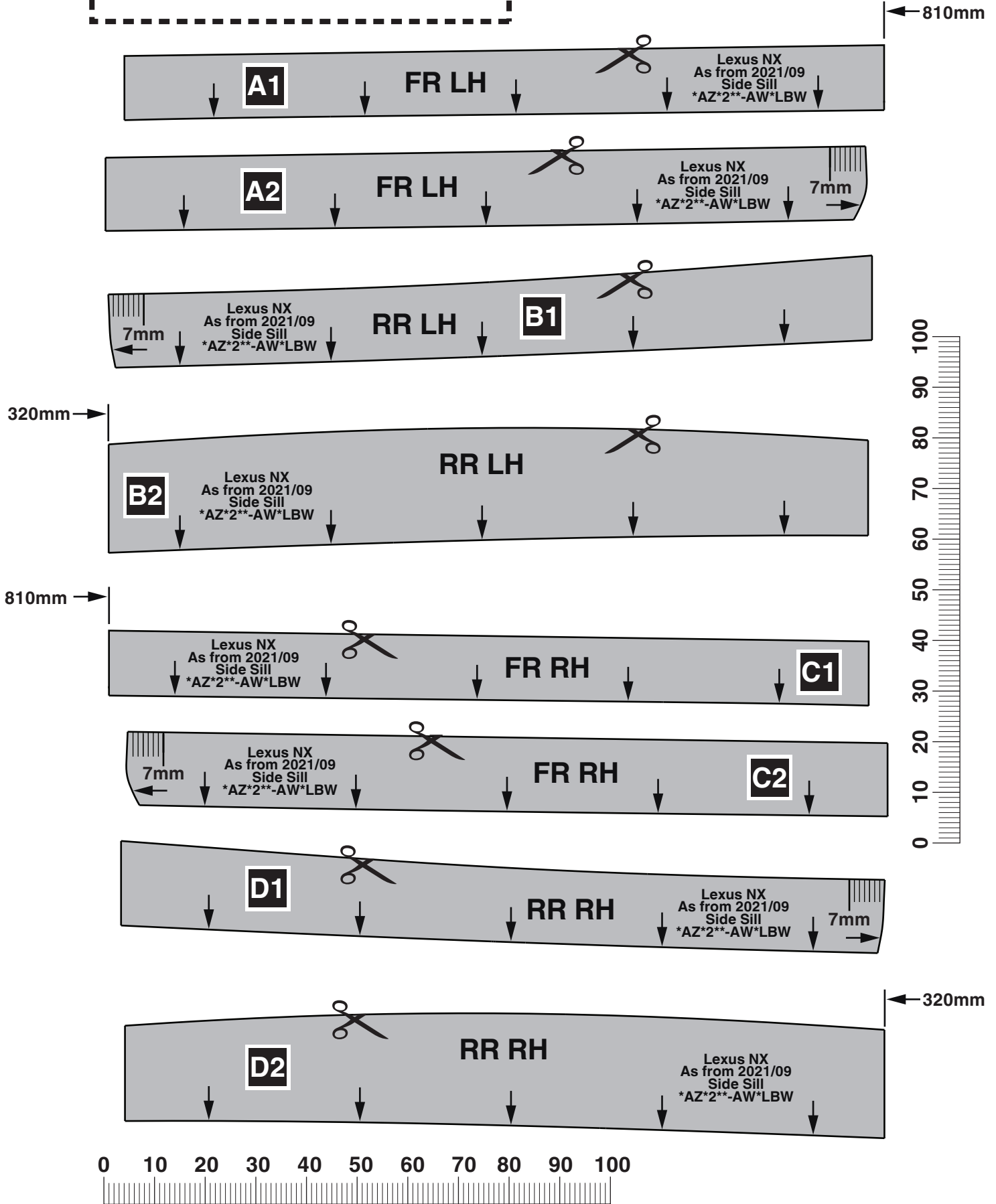
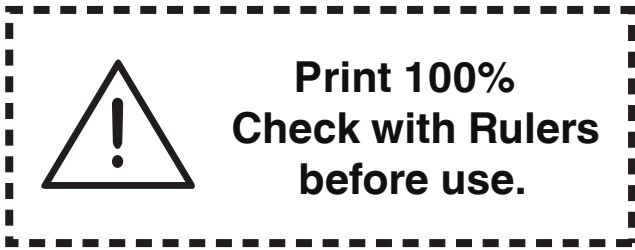
RHS = LHS



15

INFORMATION





CHECK SHEET

Model/Year

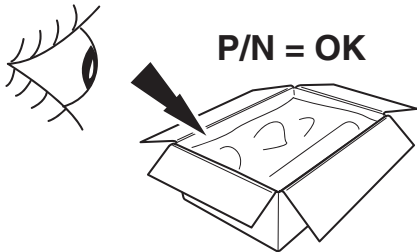
Lexus NX
As from 2021/09

Side Sills

VIN n°

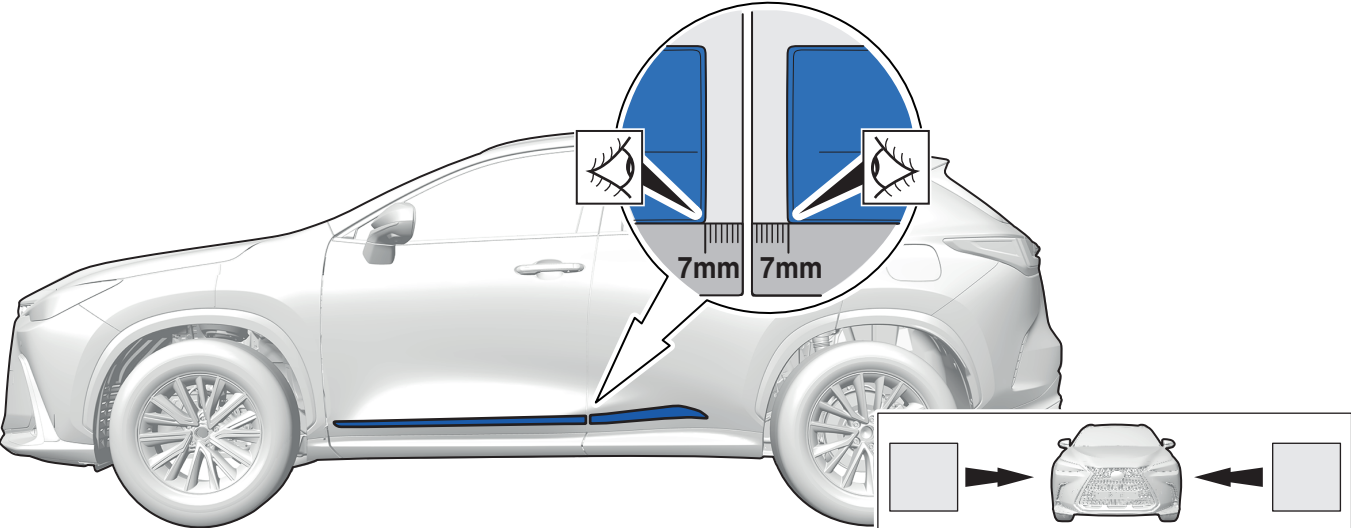
DURING INSTALLATION

1



P/N = OK

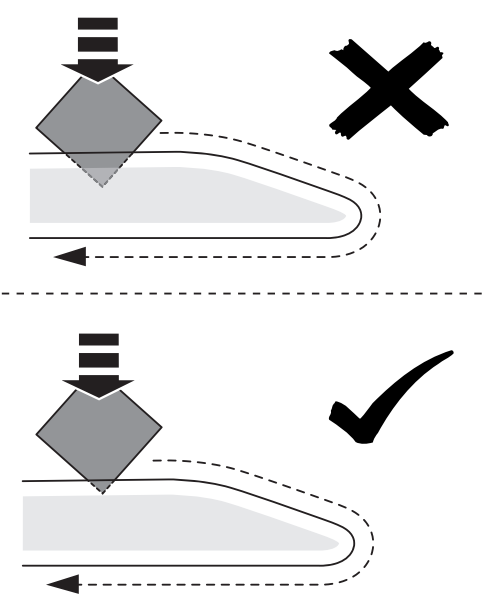
2



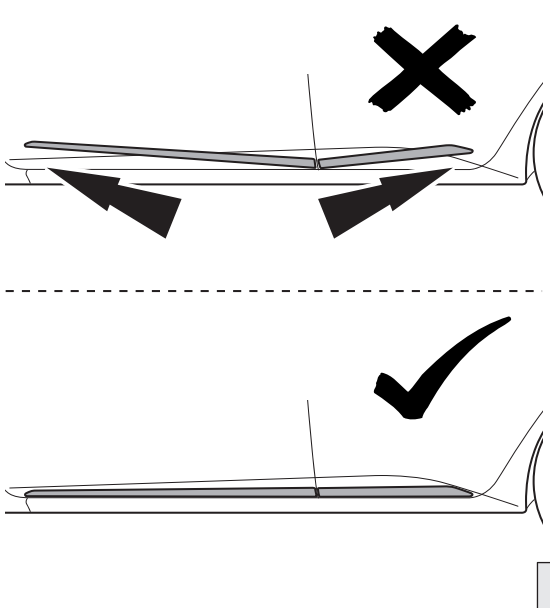
7mm 7mm

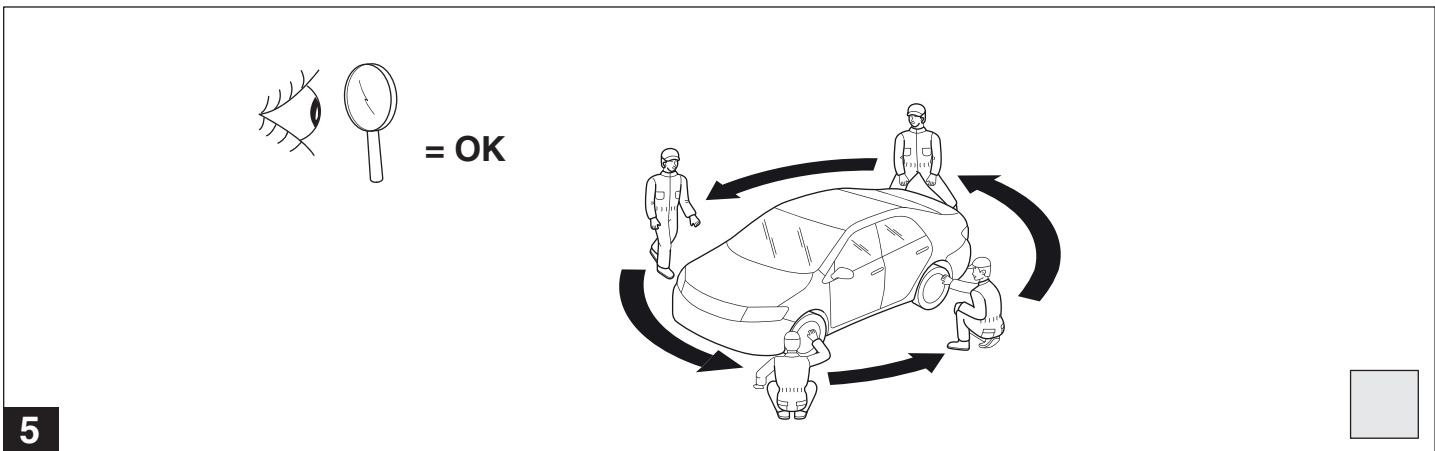
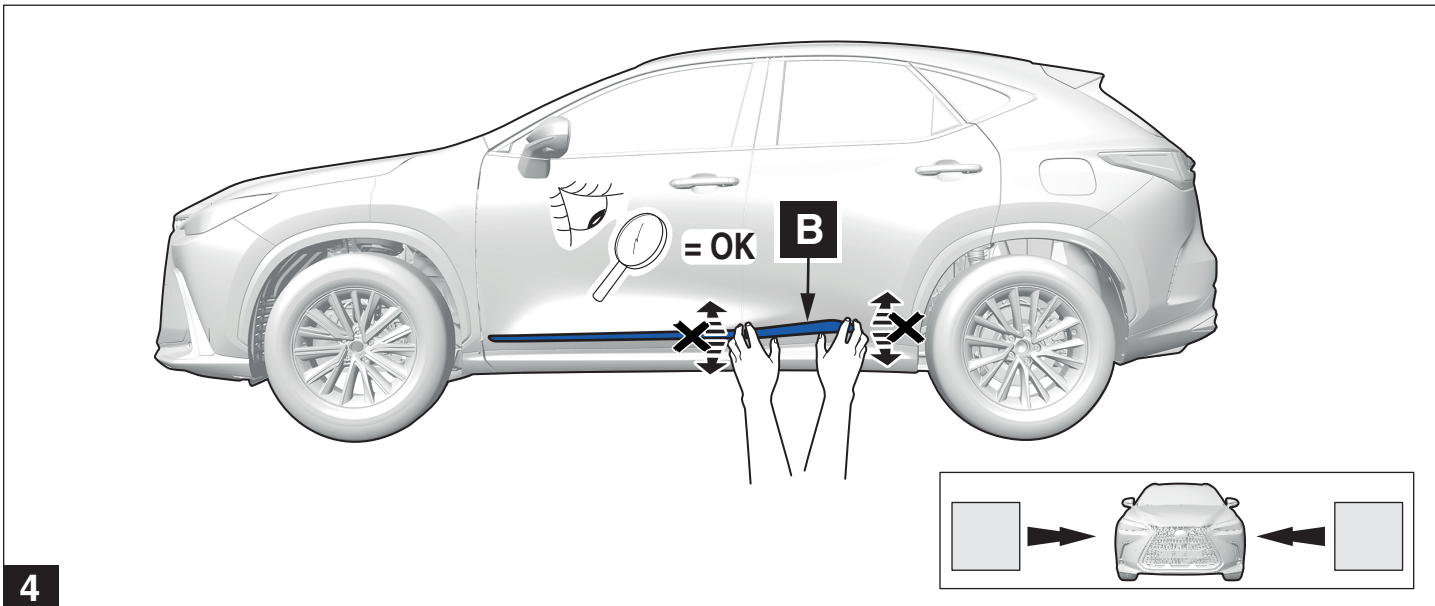
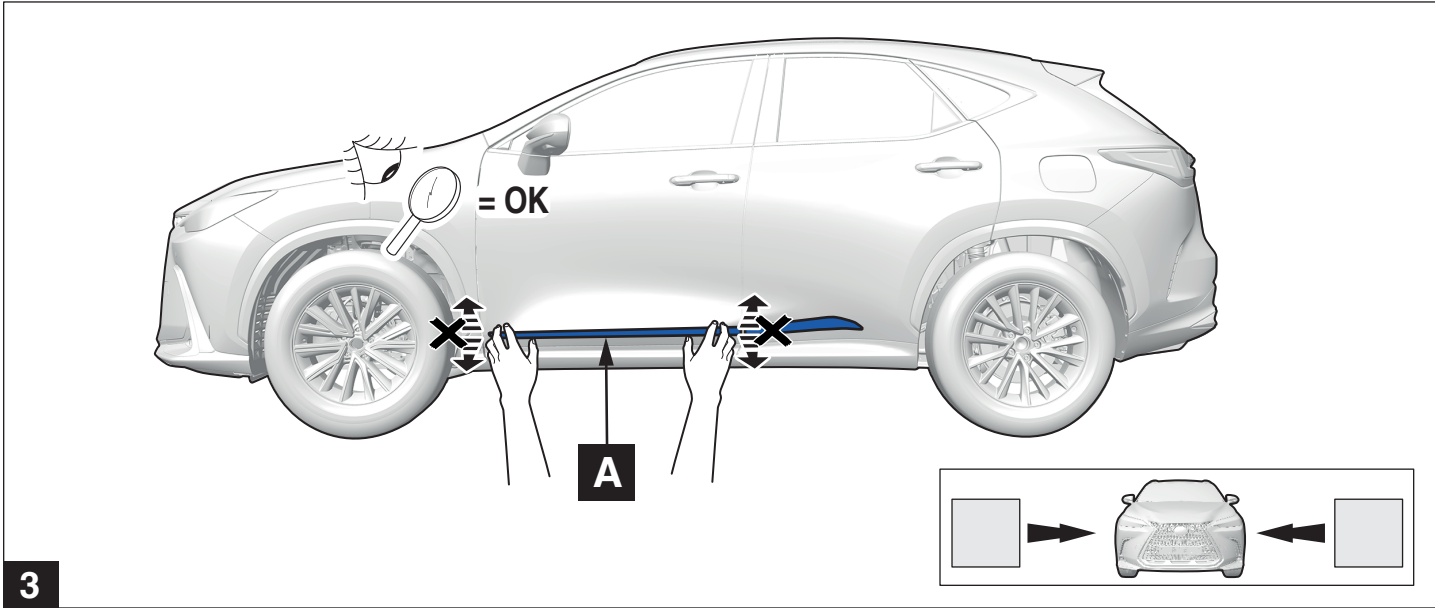
AFTER INSTALLATION

1



2





Installation Date:
. . . / . . . /

Technician Name & Signature:

Stamp: