

Corolla Cross

Side sills

Installation Instructions

Model year: As from 2022/08

Vehicle code: ****1**-KHX**W

Part number:	PW156-16100-01 (x1)	Side sills full set (Chrome)
	PW156-16101-01 (x1)	FR-LH + RR-LH (Chrome)
	PW156-16102-01 (x1)	FR-RH + RR-RH (Chrome)

Manual reference number: AIM 005 210-1

Latest Version
SCAN HERE



Revision Record

Rev. No.	Date	Page	Step	Remarks
△1	30.05.23	All		Updated to new standards
△1	30.05.23	15	4	Credit Card Check Updated



FR



A

1x

RR



B

1x

RL



C

1x

FL



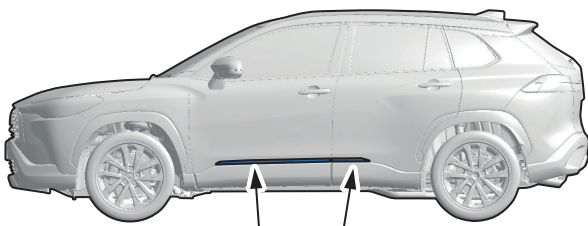
D

1x

GENERAL

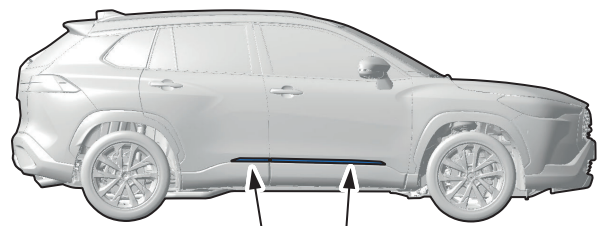


Info



D

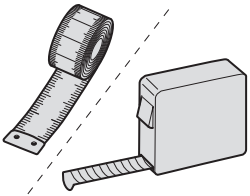
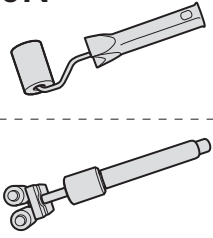

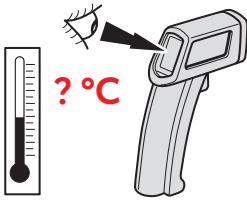
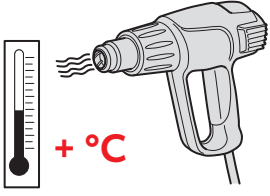

C



B

A

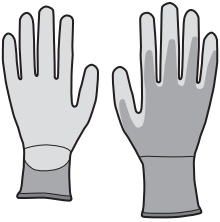
TOOLS

	<p>50N</p> 		 <p>? °C</p>	 <p>+ °C</p>
				

CONSUMABLES

<p>CLEANER / DEGREASER SPRAY</p>		<p>MASKING TAPE</p>		
 <p>AIM 003 516-*</p>				

PERSONAL PROTECTION EQUIPMENT

				
--	--	--	--	--

For Symbols
Explanation
SCAN HERE



GENERAL

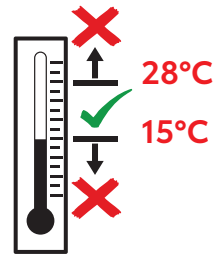
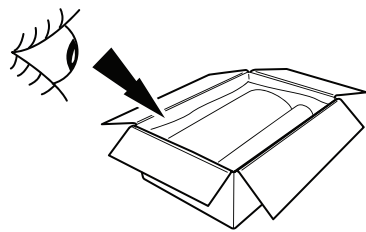
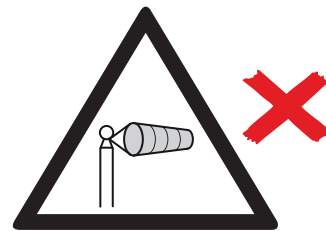
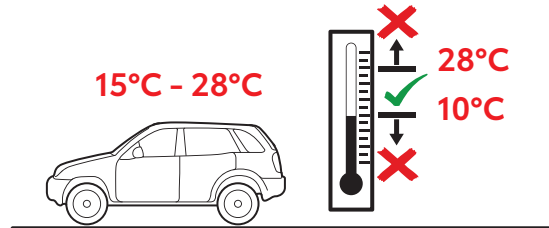
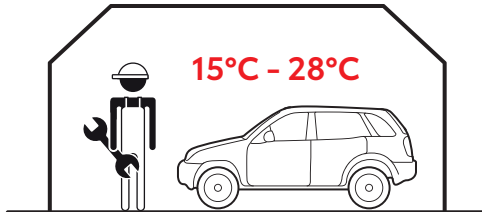


Material Safety Data Sheet

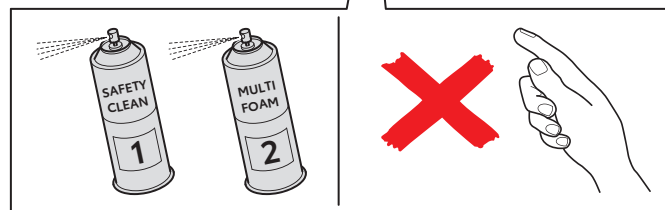
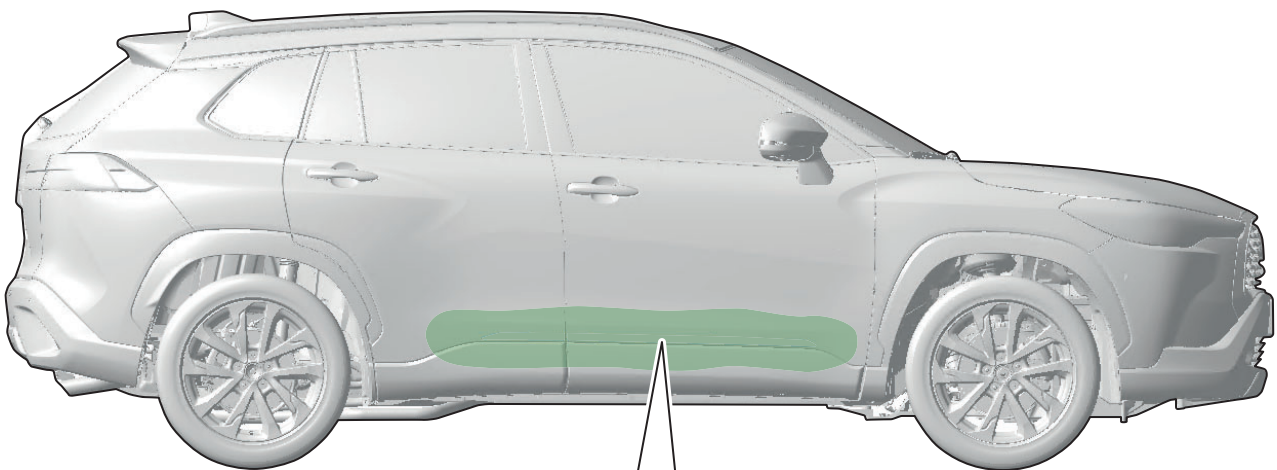


Technical Data Sheet

GENERAL



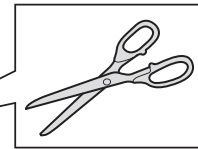
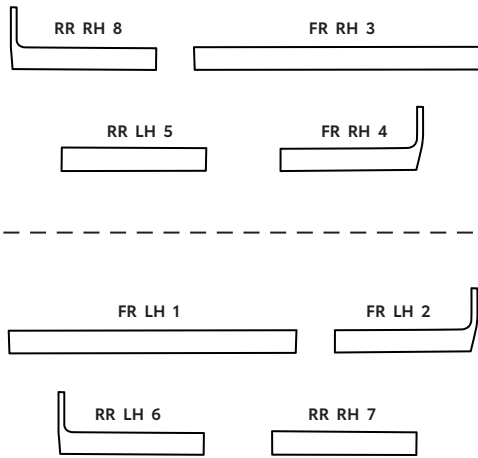
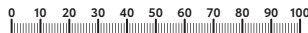
INSTALLATION INSTRUCTIONS



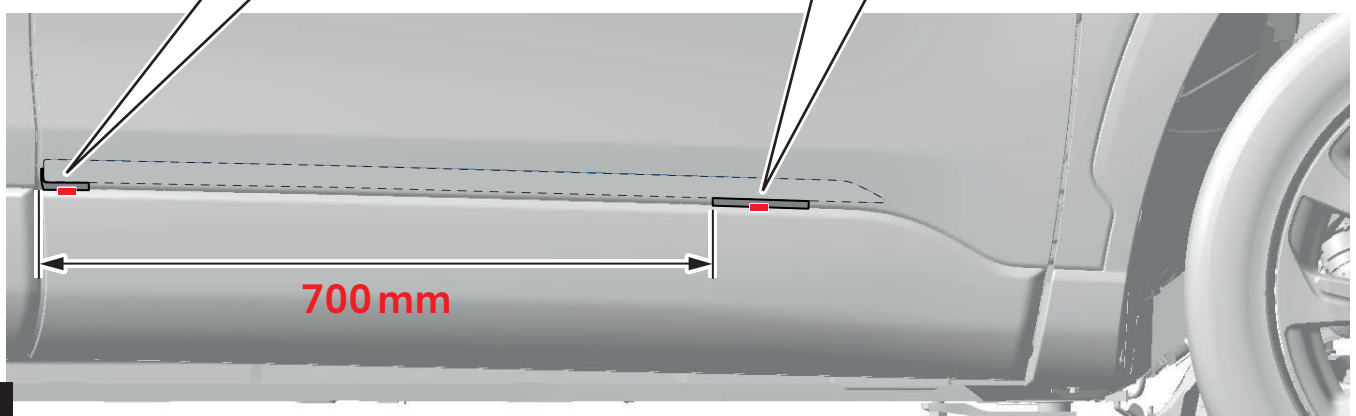
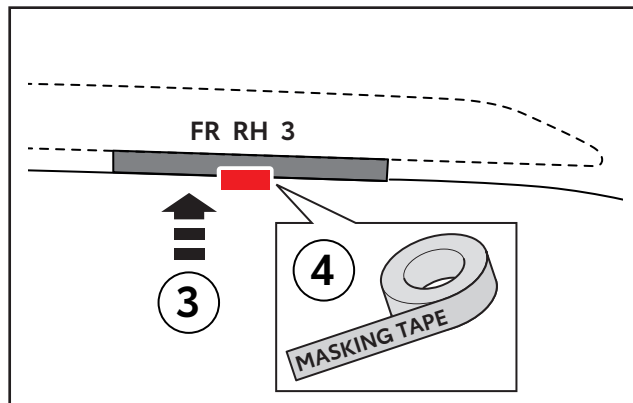
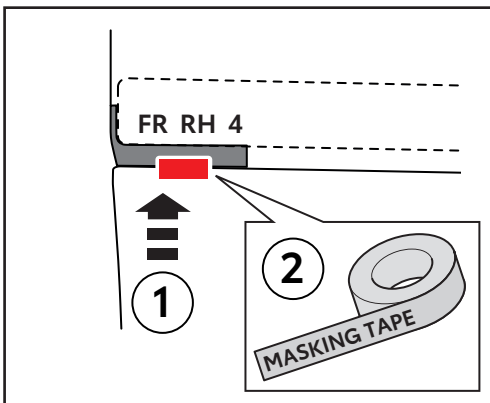
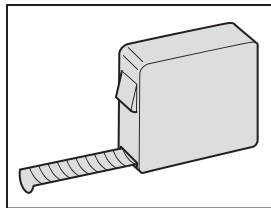
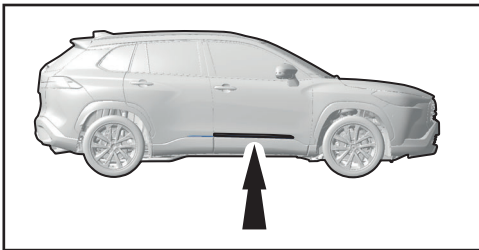
1



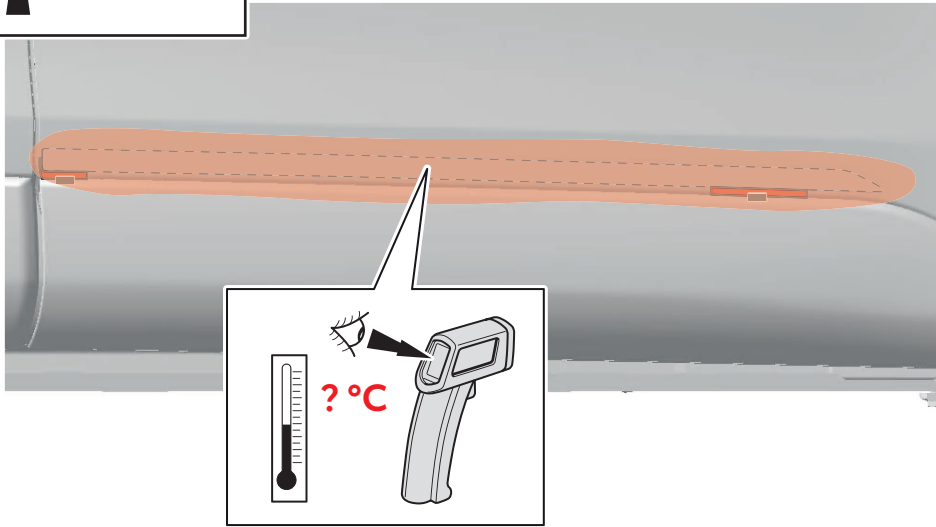
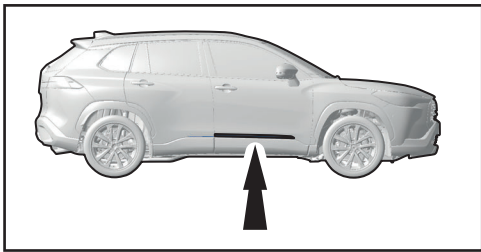
Print 100%
Check with Rulers
before use.



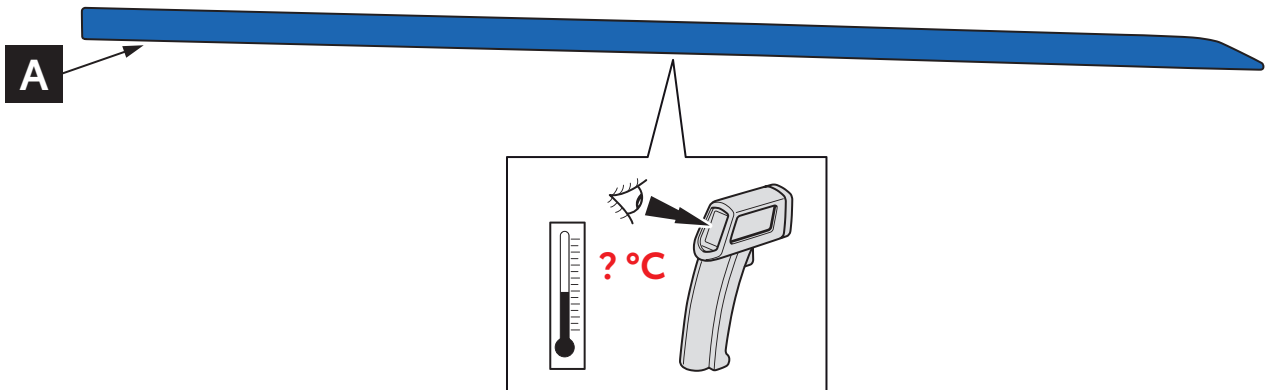
2



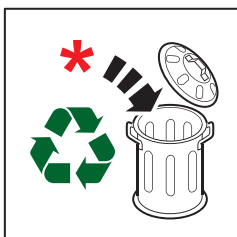
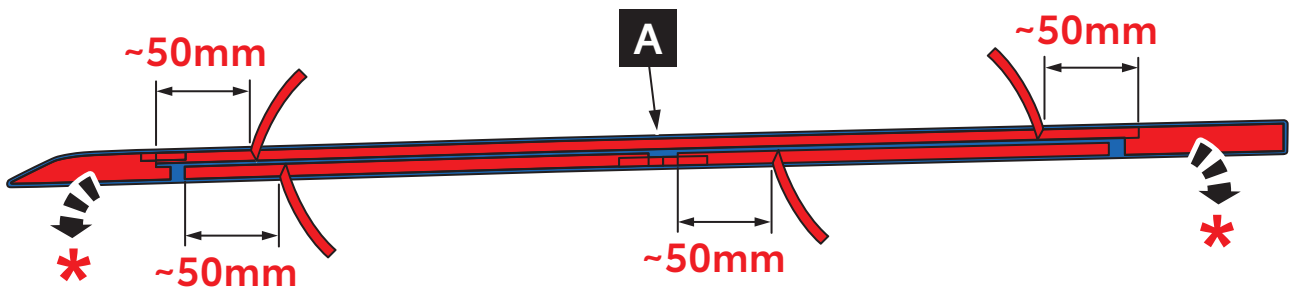
3



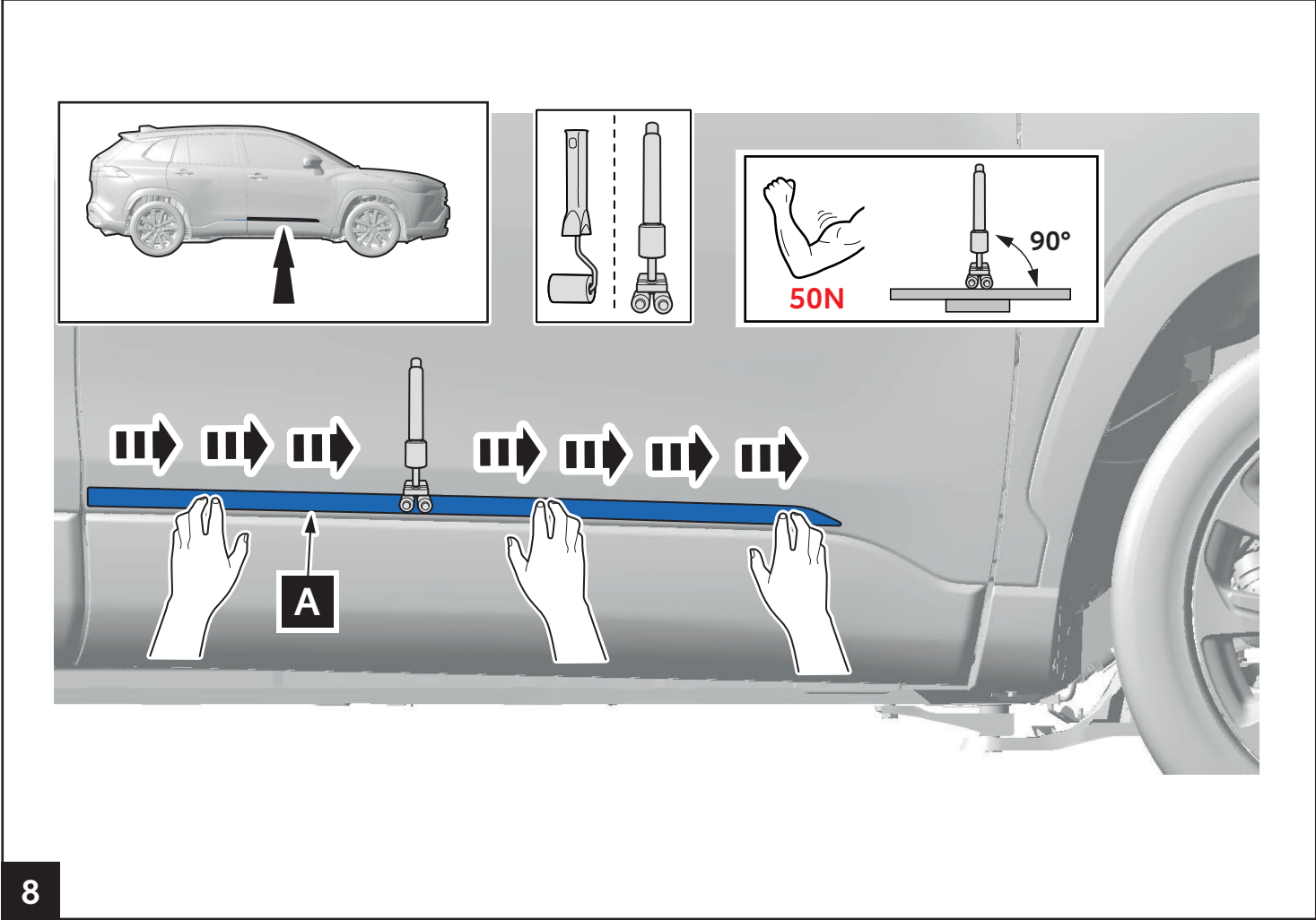
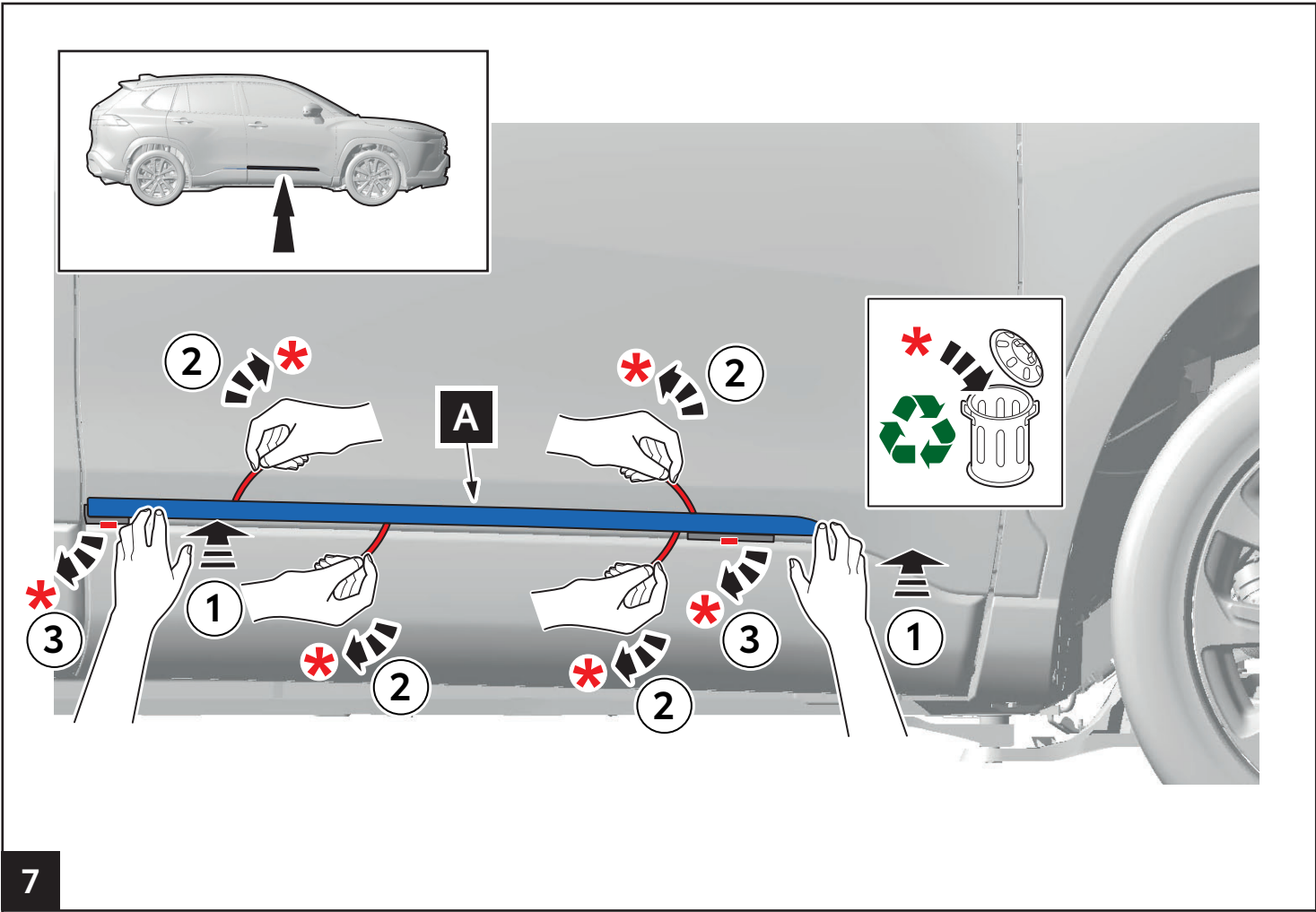
4

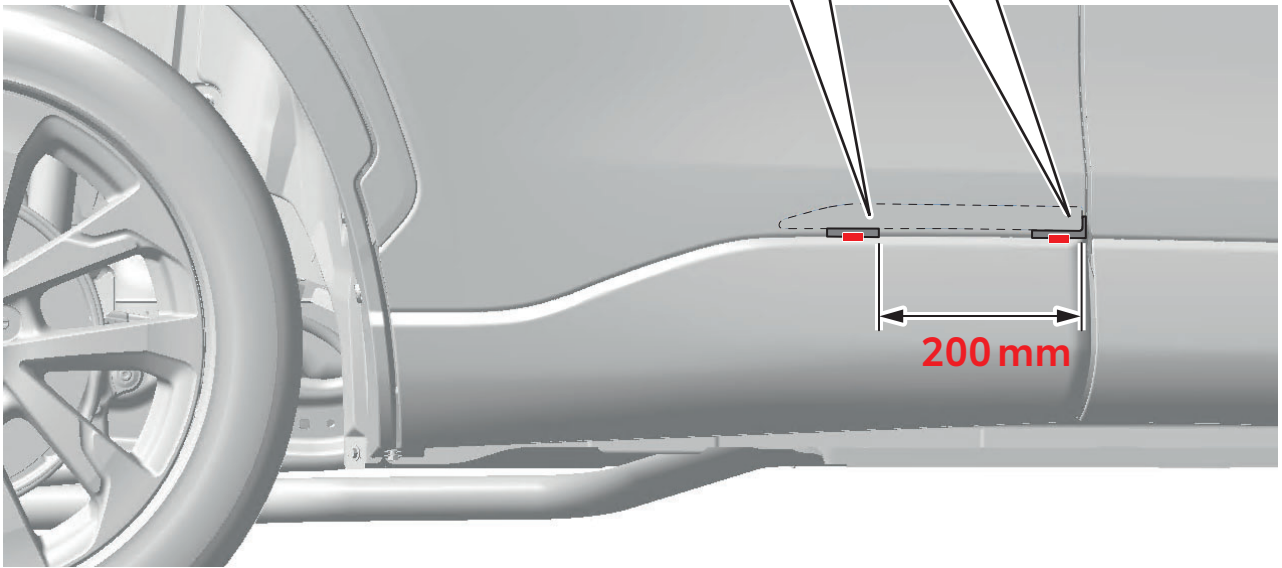
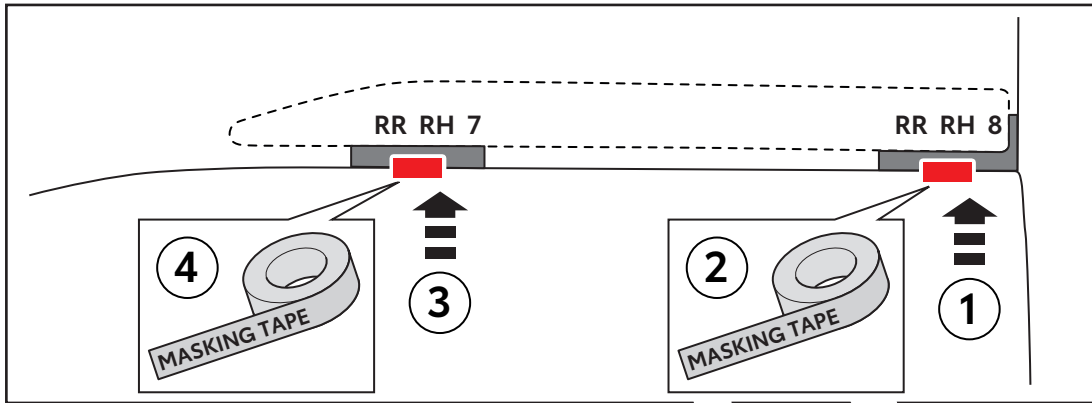
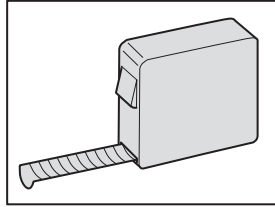
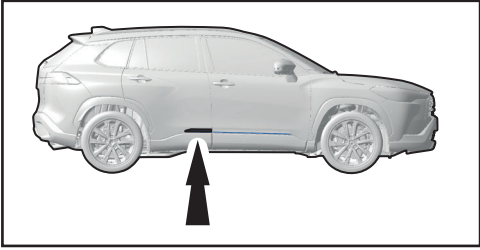


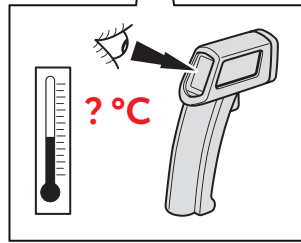
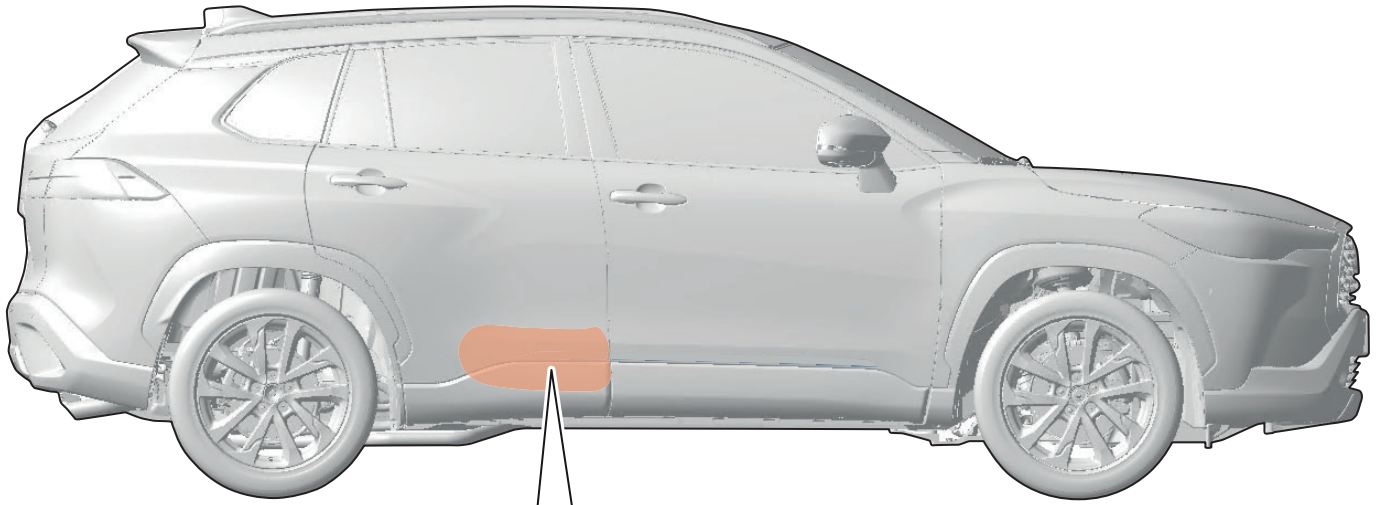
5



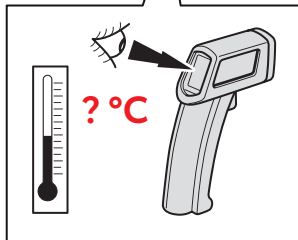
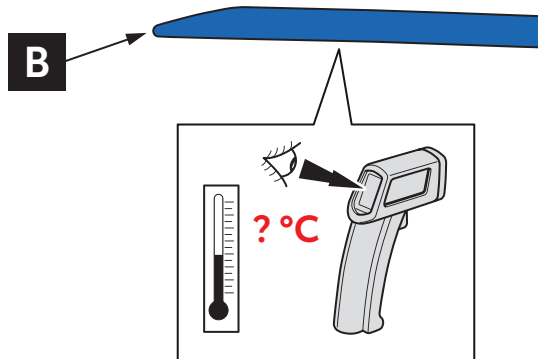
6



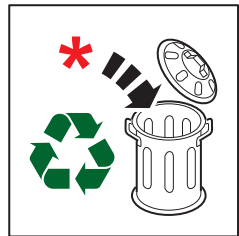
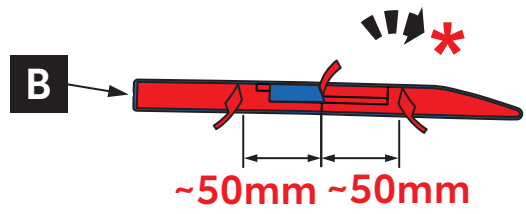




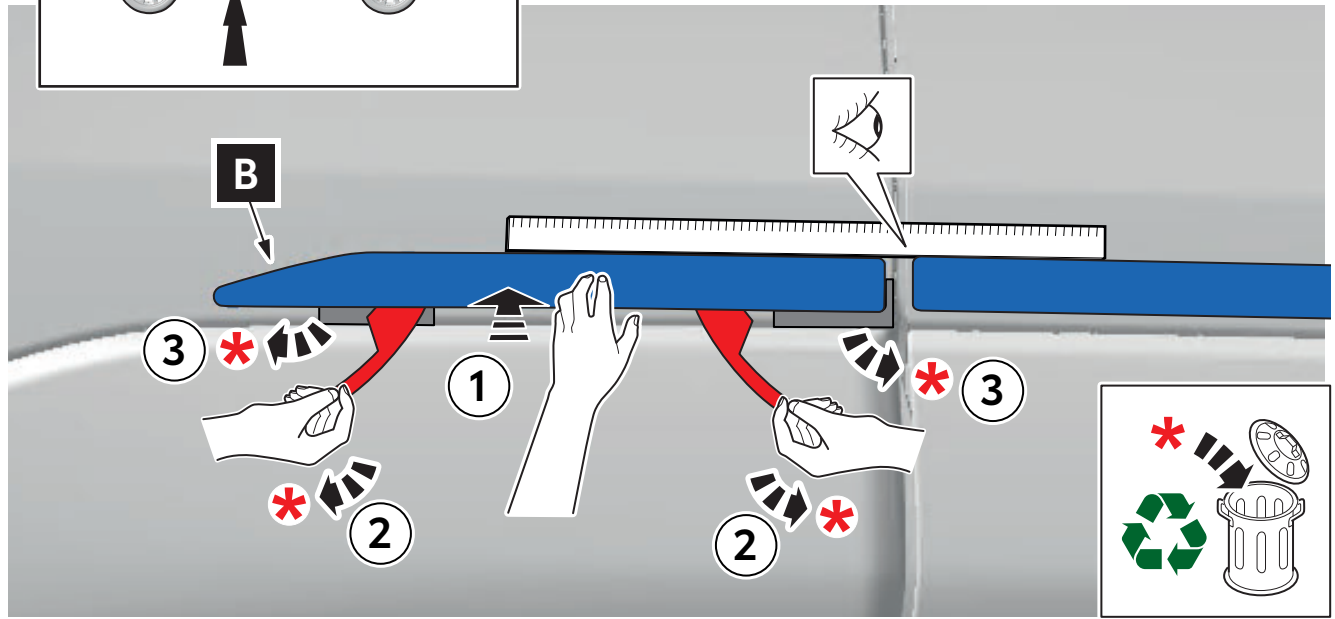
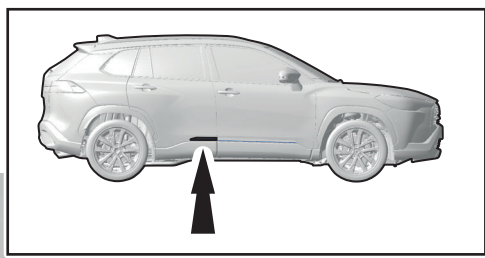
10



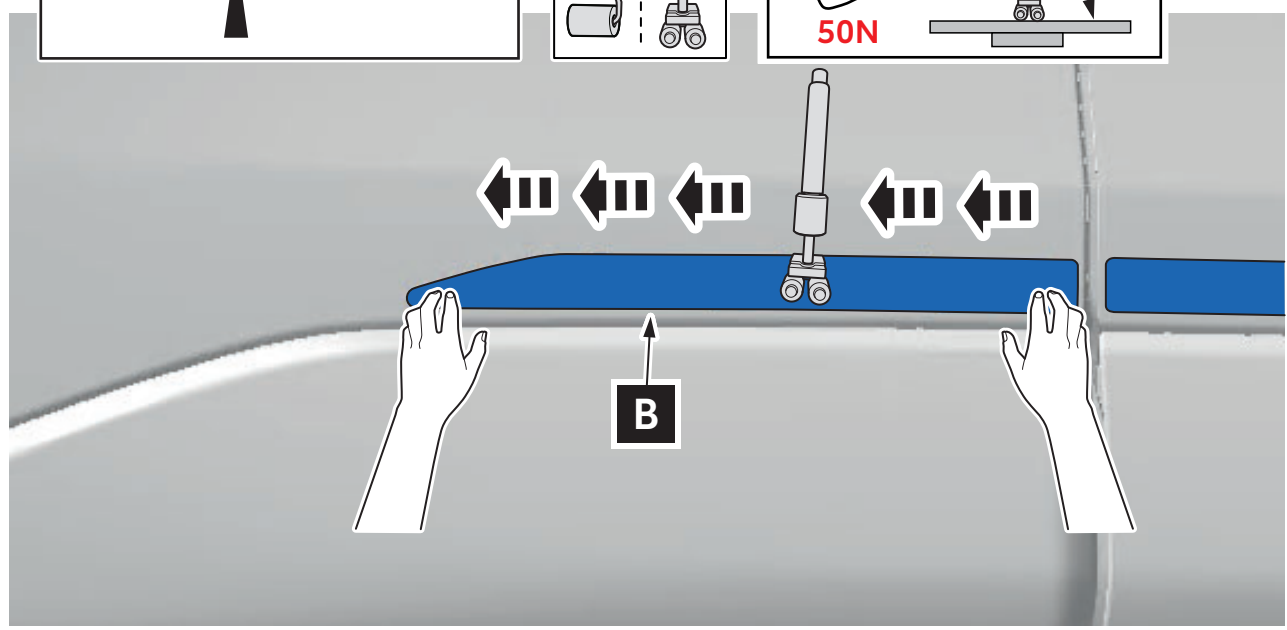
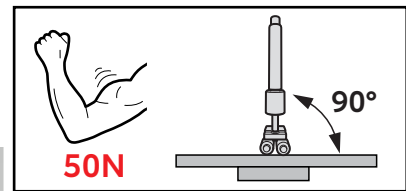
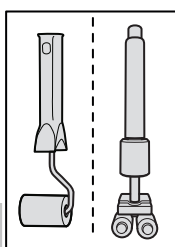
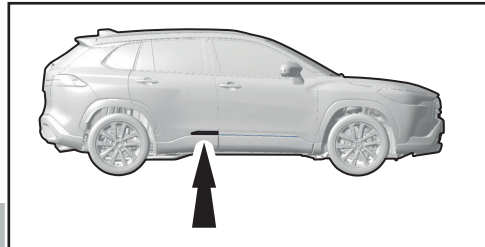
11



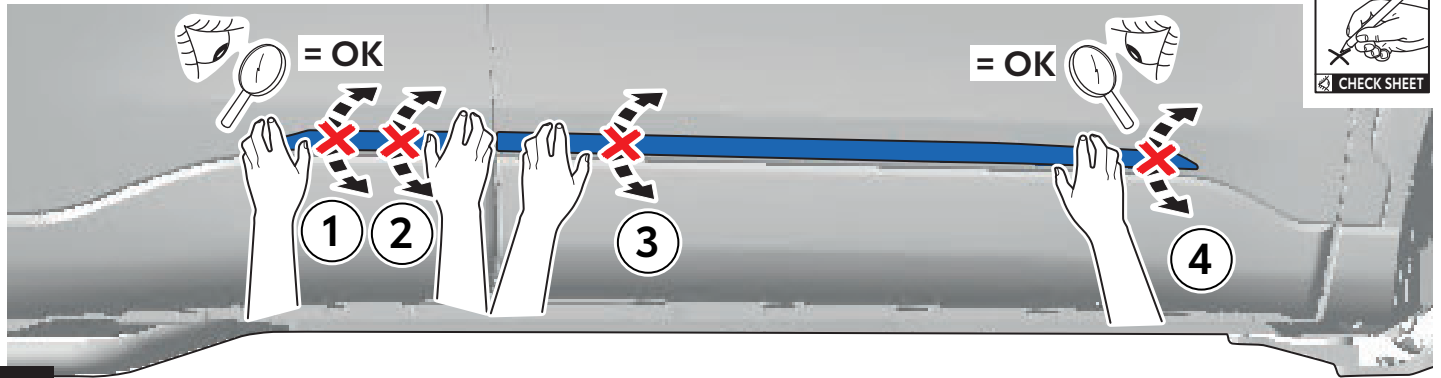
12



13



14



15

Fig.1 → Fig.15

RHS

A B

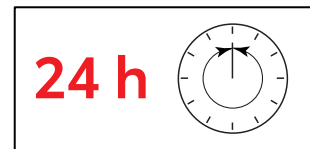
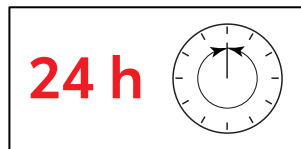
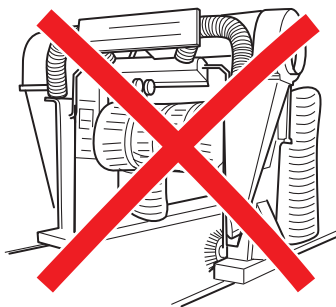
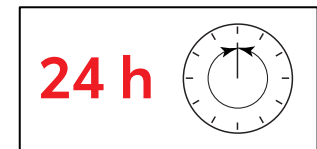
Fig.1 → Fig.15

LHS

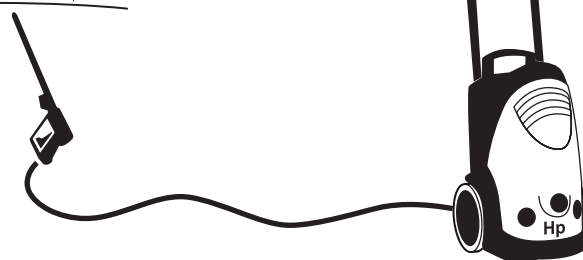
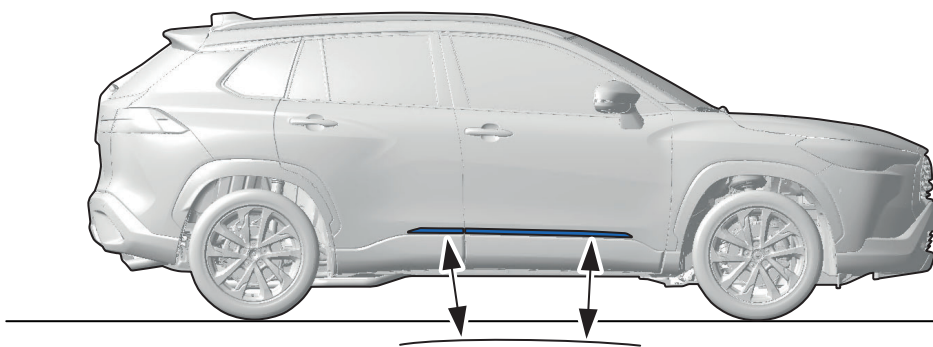
C D

16

GENERAL



Max. 90 Km/h



> 50 cm



Print 100%
Check with Rulers
before use.



FR RH 4



FR RH 3



RR RH 7



RR RH 8



FR LH 1



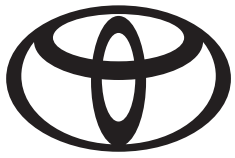
FR LH 2



RR LH 6



RR LH 5



CHECK SHEET

Page 1 of 2

Model/Year **Corolla Cross**
As from 2022/08

Side sills

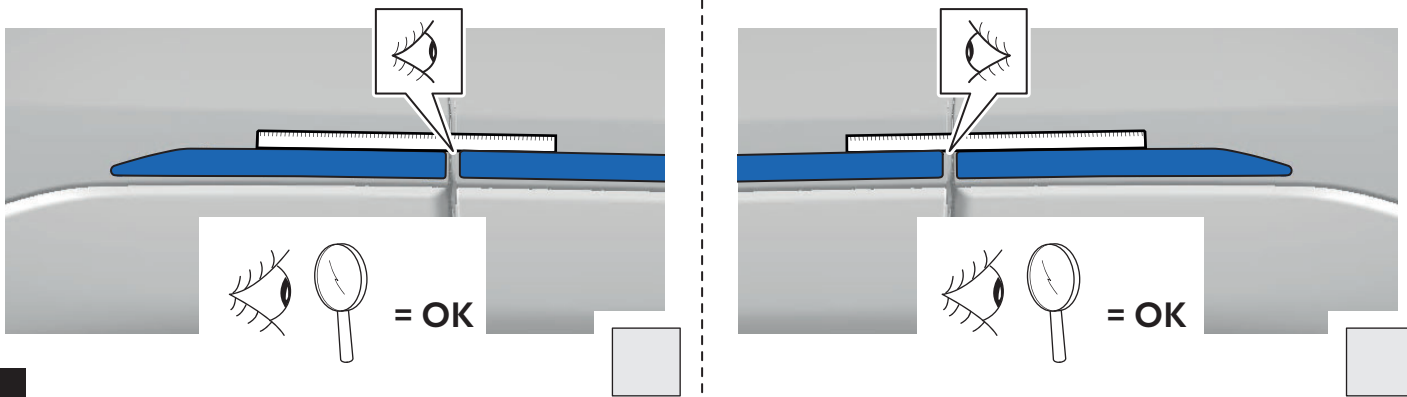
VINn°

DURING INSTALLATION

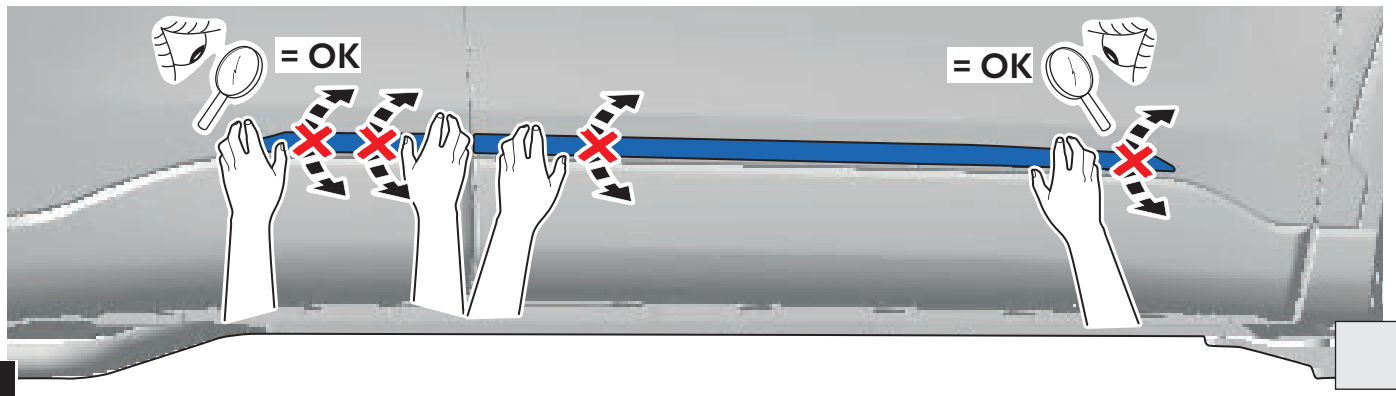


1

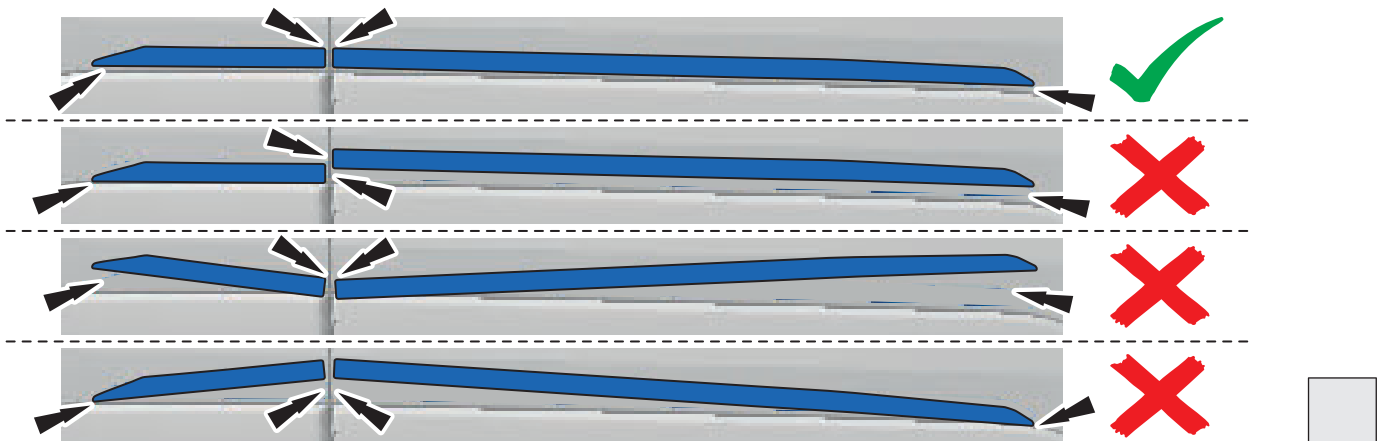
AFTER INSTALLATION



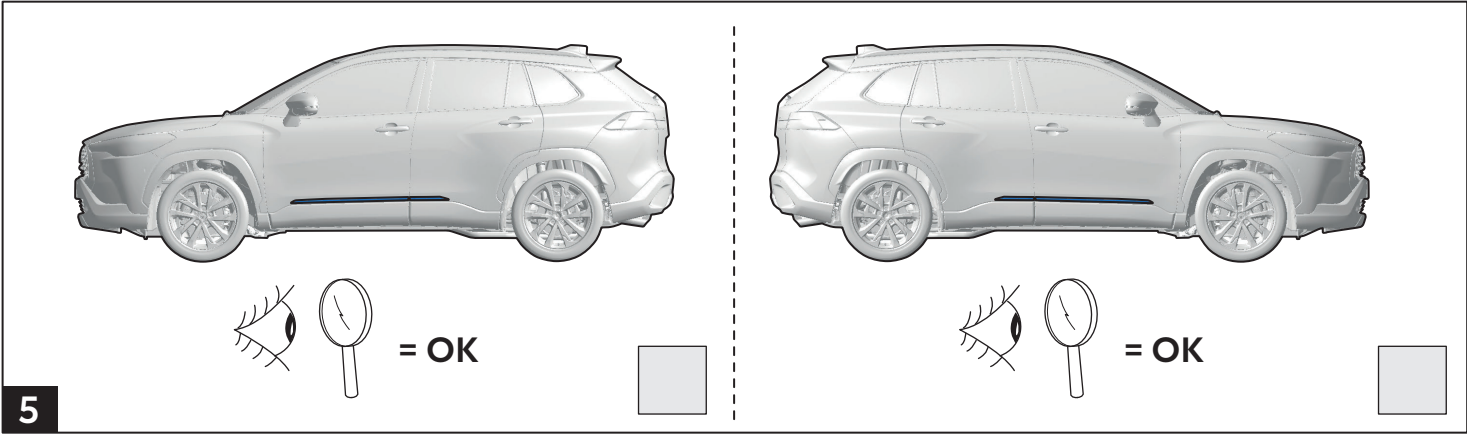
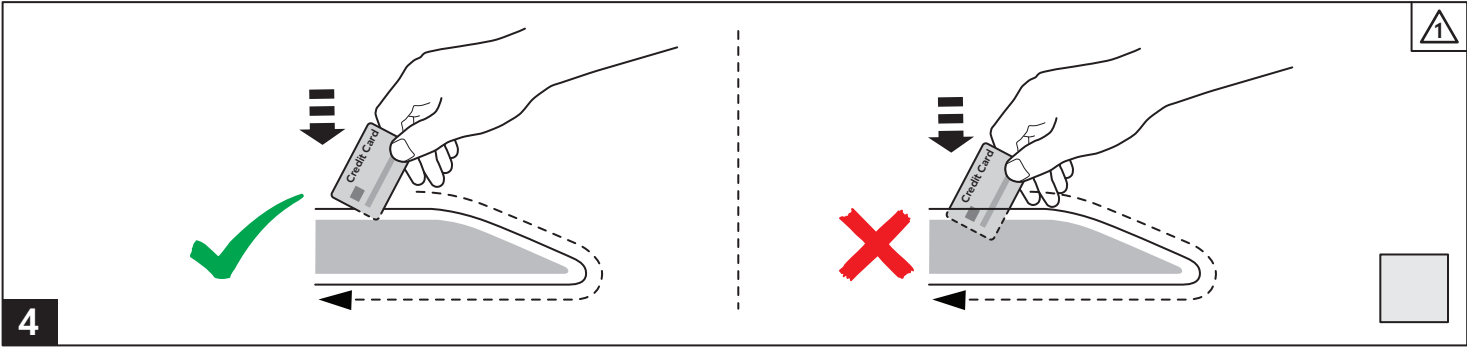
1



2



3



Installation Date:

.. / .. /

Technician Name & Signature:

Stamp: