



TOYOTA

ALWAYS A
BETTER WAY

Toyota C-HR

Side bars

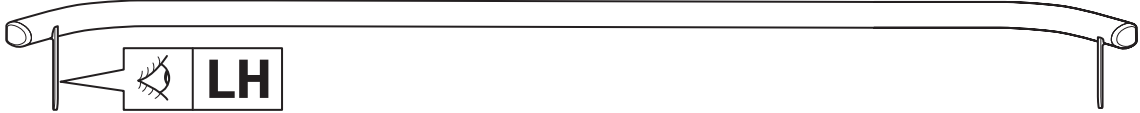
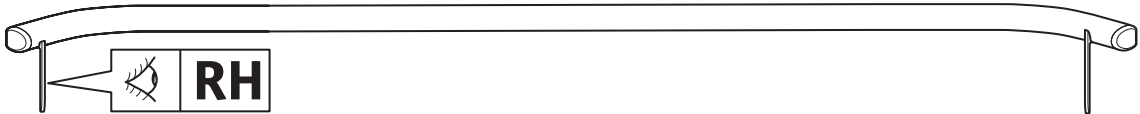
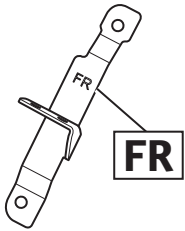
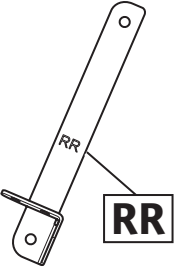
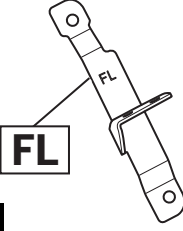
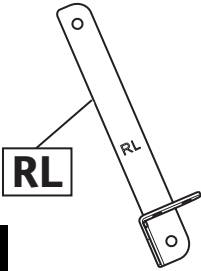
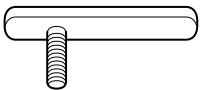


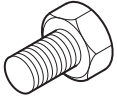





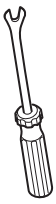
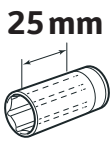


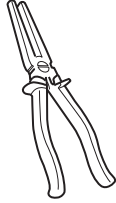



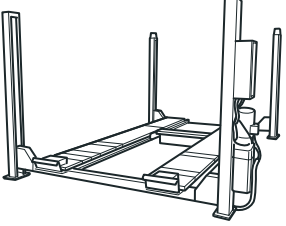
Installation instructions

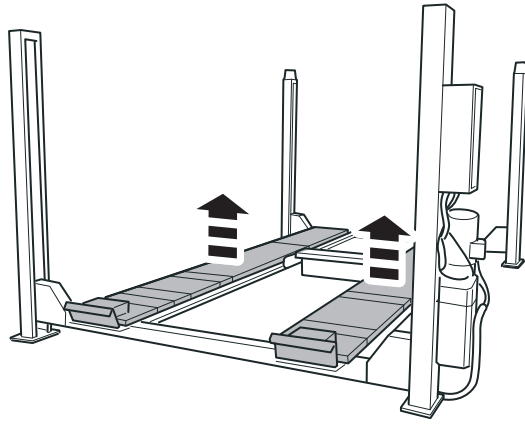
Model year: 2016/10
Vehicle code: **X*0-AH***W
Part number: PW388-10000

Manual reference number: AIM 003 930-1

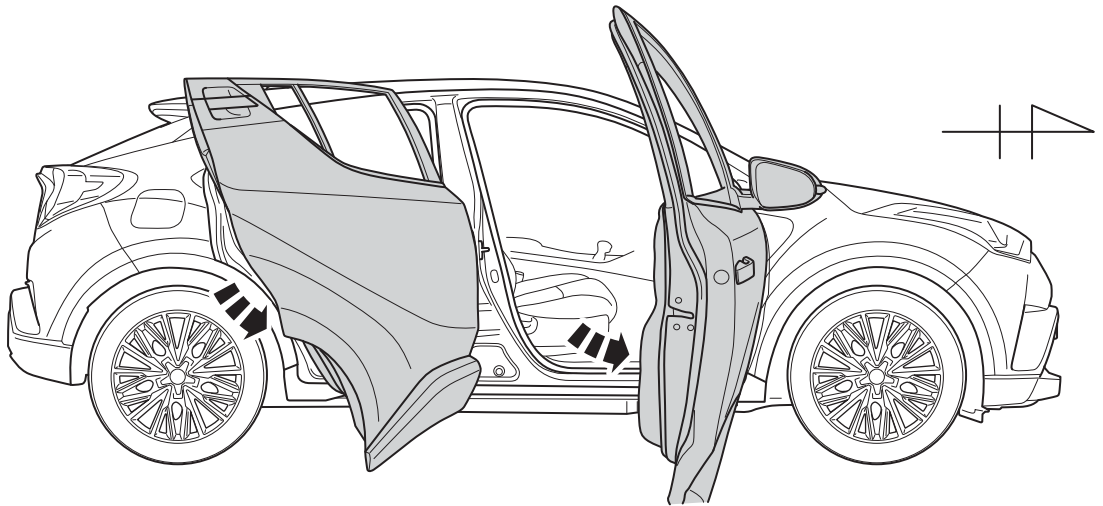
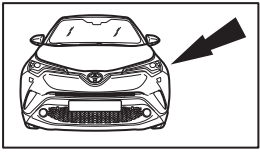
Revision Record

Rev. No.	Date	Page	Picture	Update	New	Deleted steps
1	24.10.16	2, 11		X		
1	24.10.16	3	1, 3	X		
1	24.10.16	6	8, 10	X		
1	24.10.16	8	15, 16	X		
1	24.10.16	4, 9	5, 17		X	

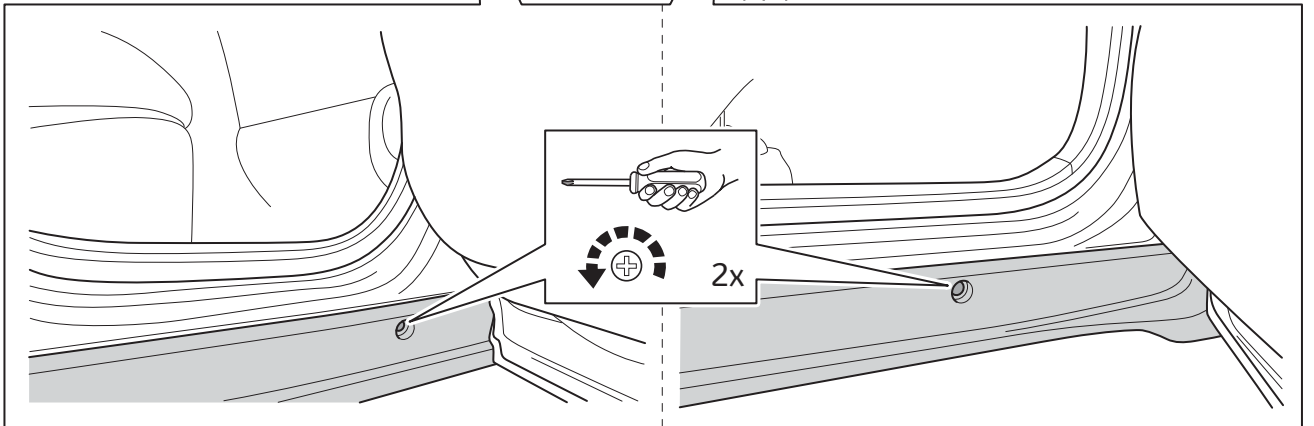
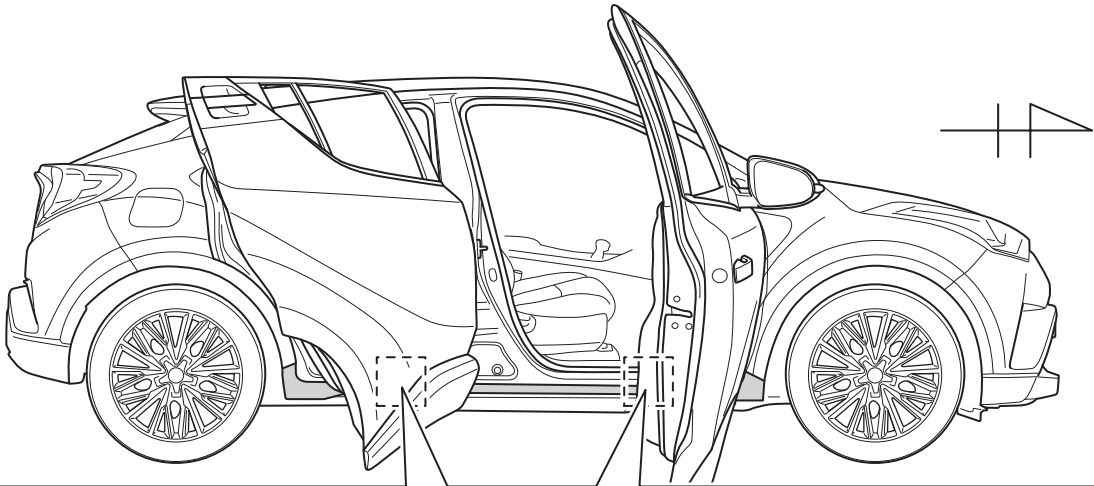
A				1x																	
B				1x																	
C		1x	D		1x	E		1x	F		1x										
G				8x	H				8x	J				8x							
K				8x	L				8x	M				16x	N				8x		
																					



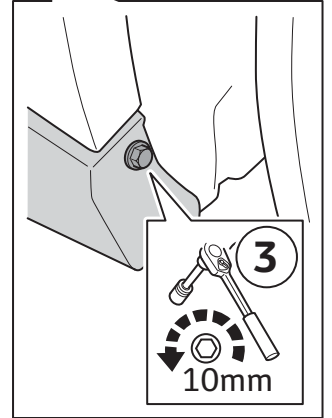
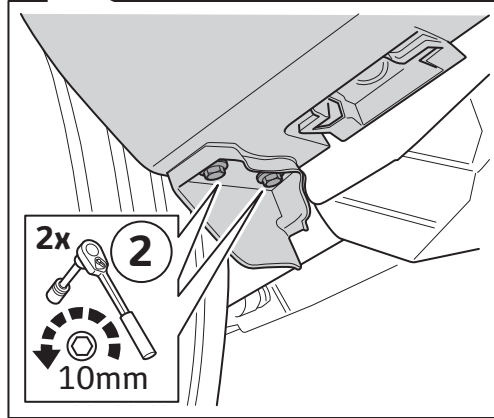
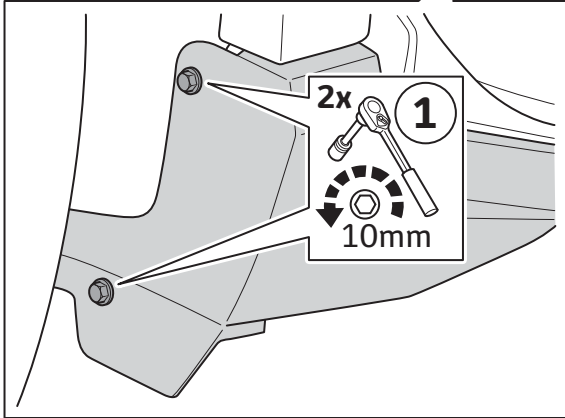
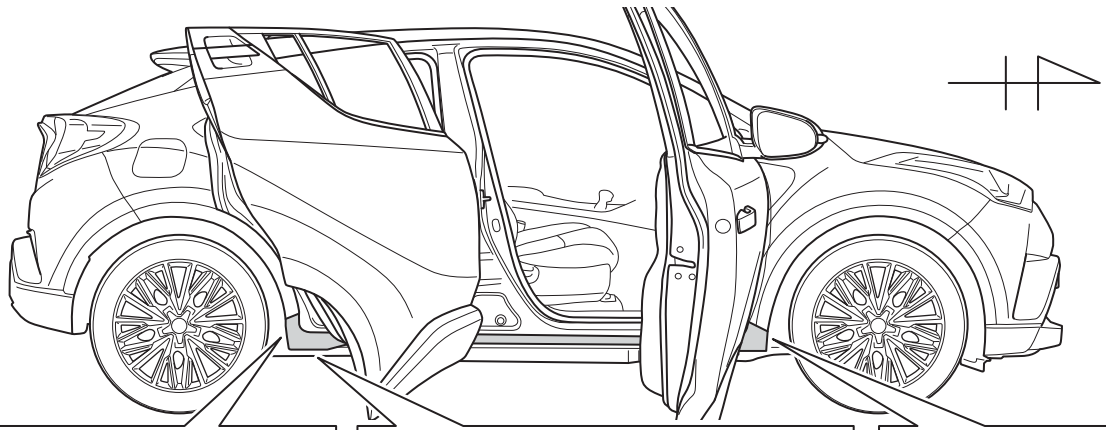
1



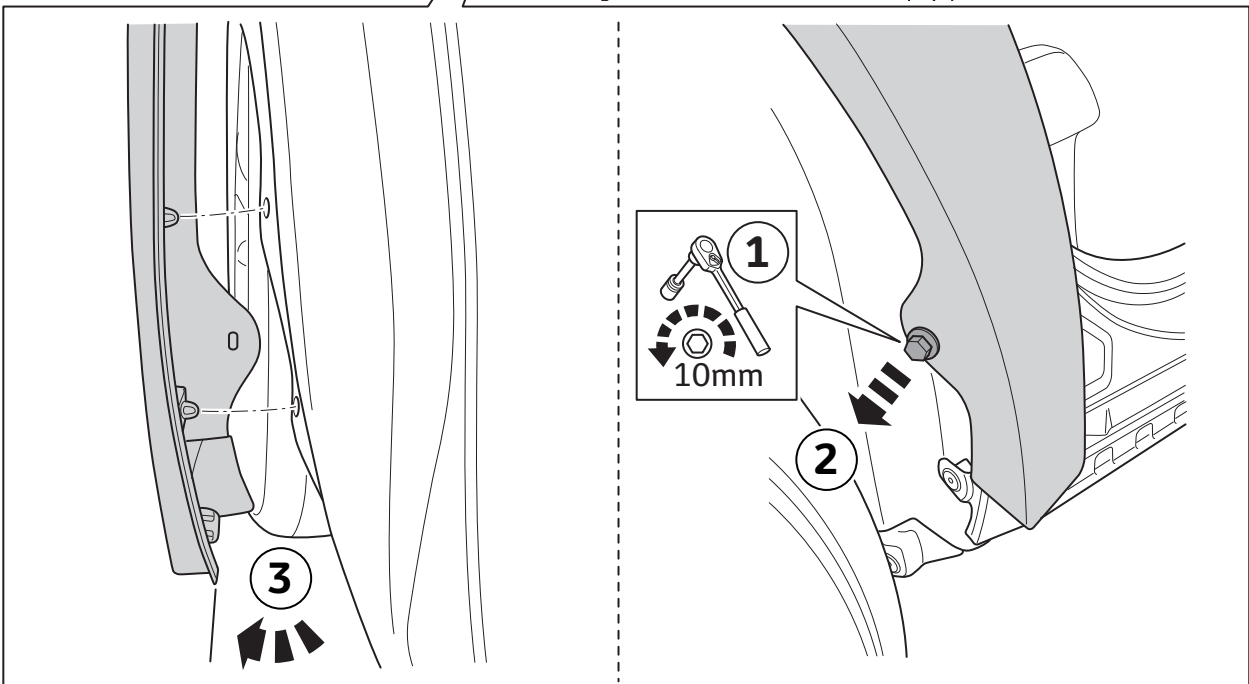
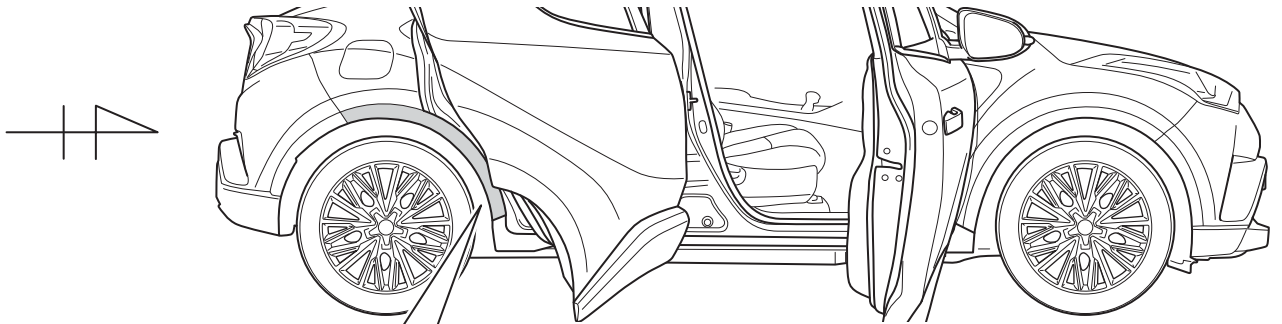
2



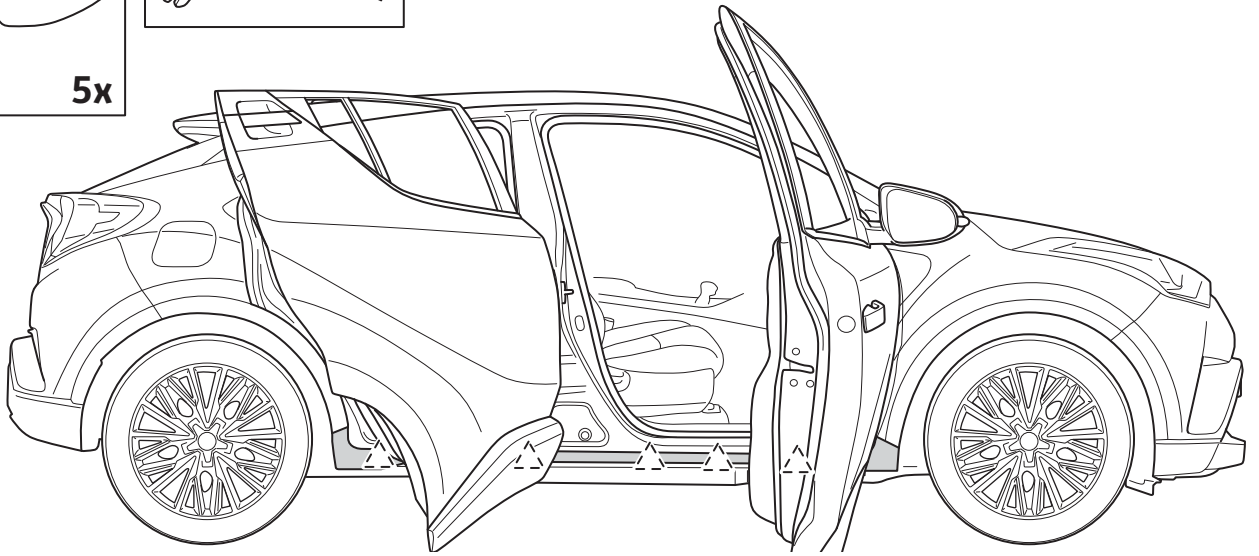
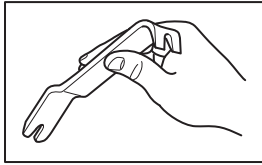
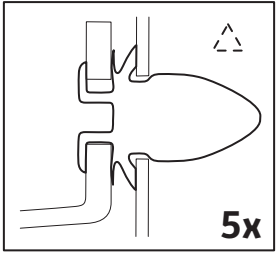
3



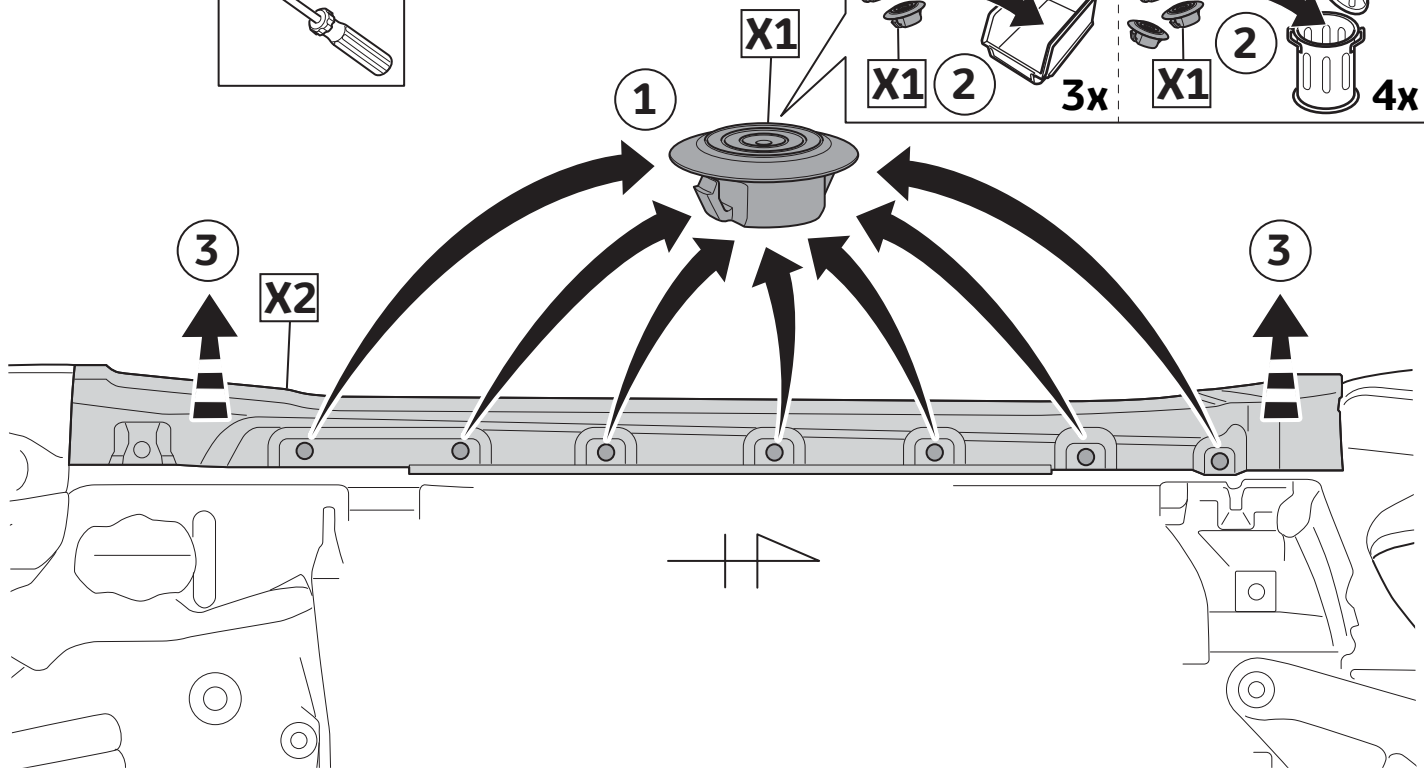
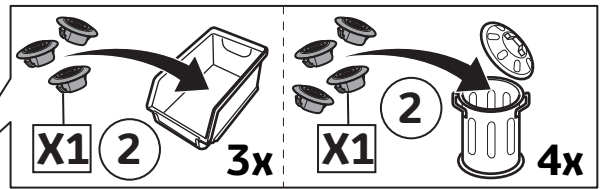
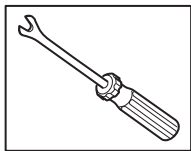
4



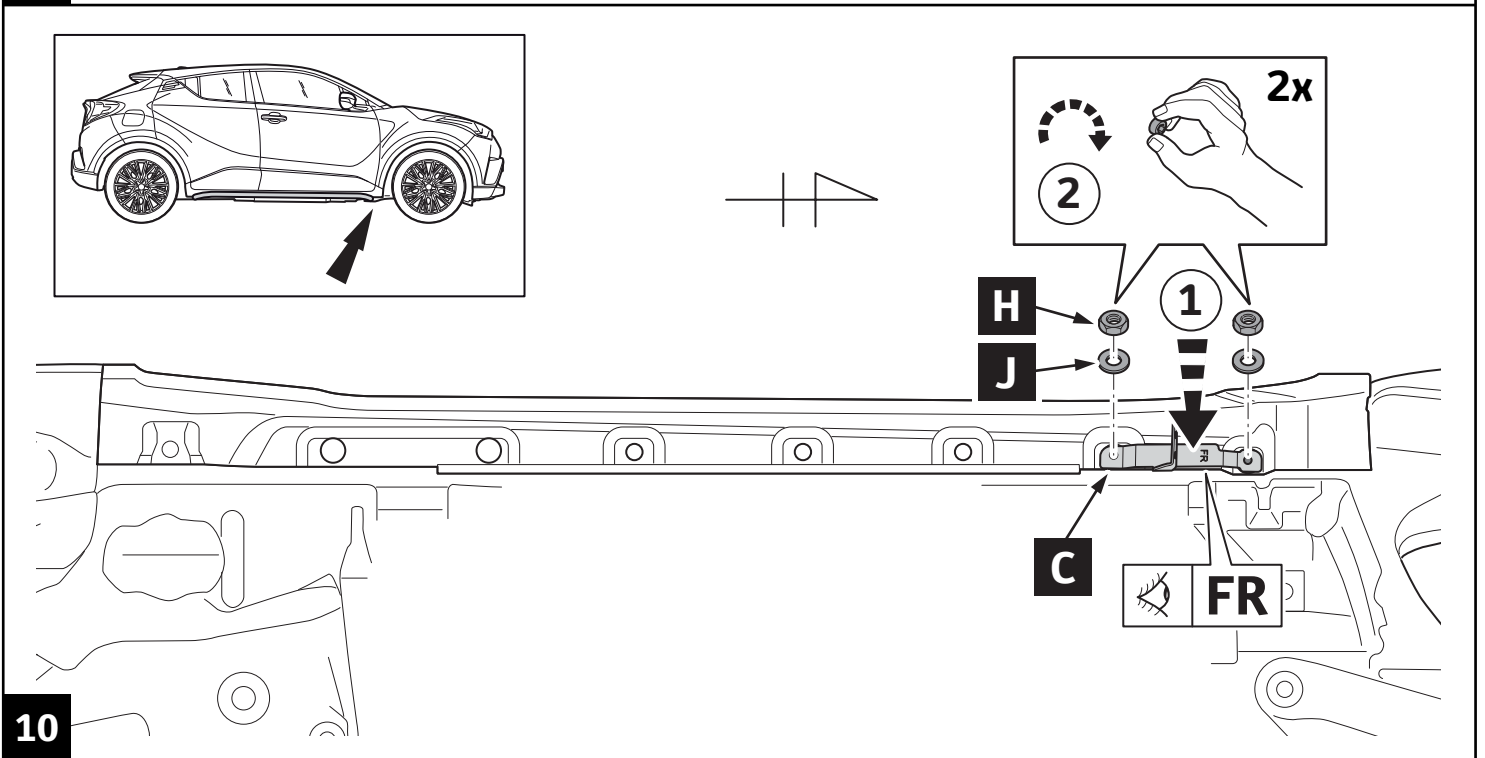
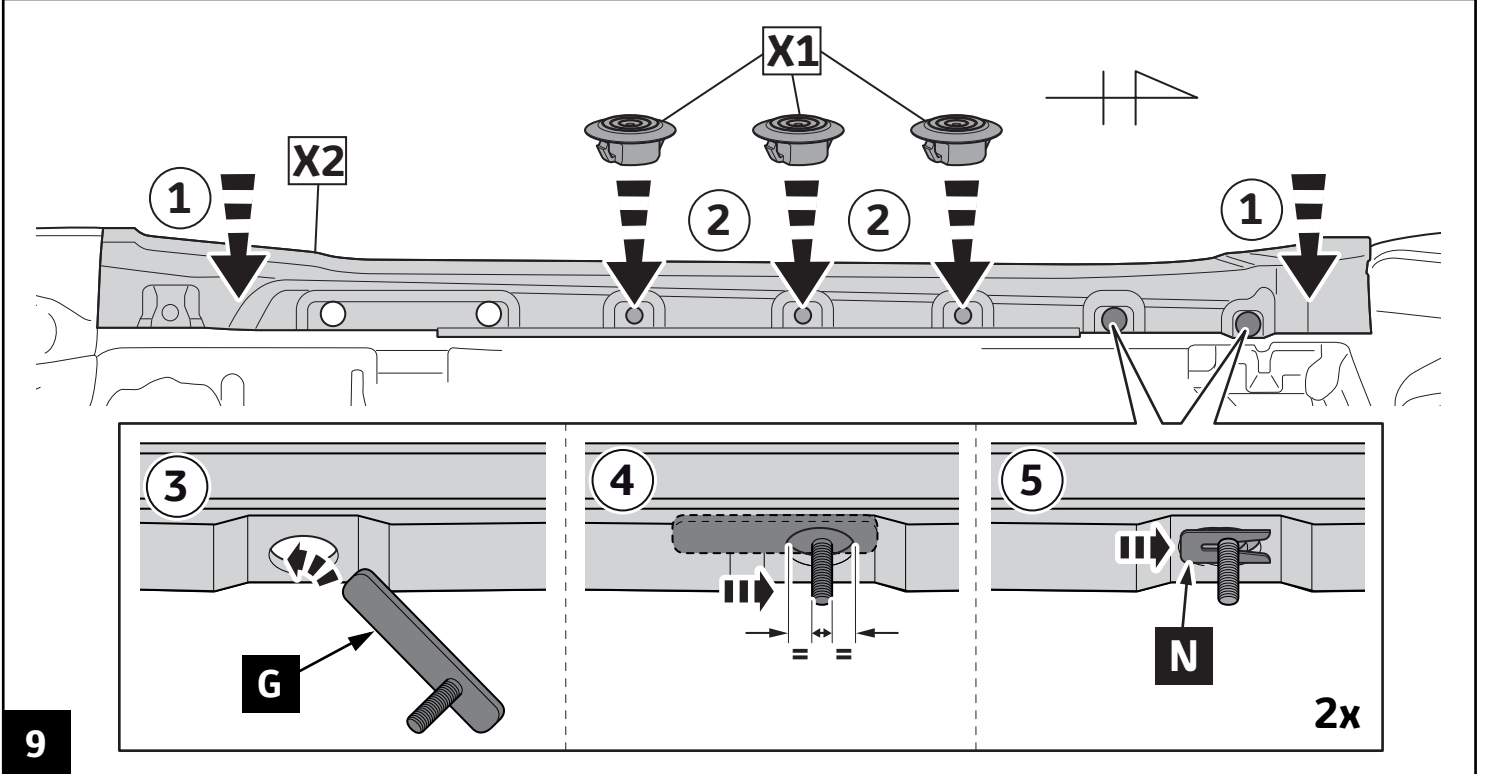
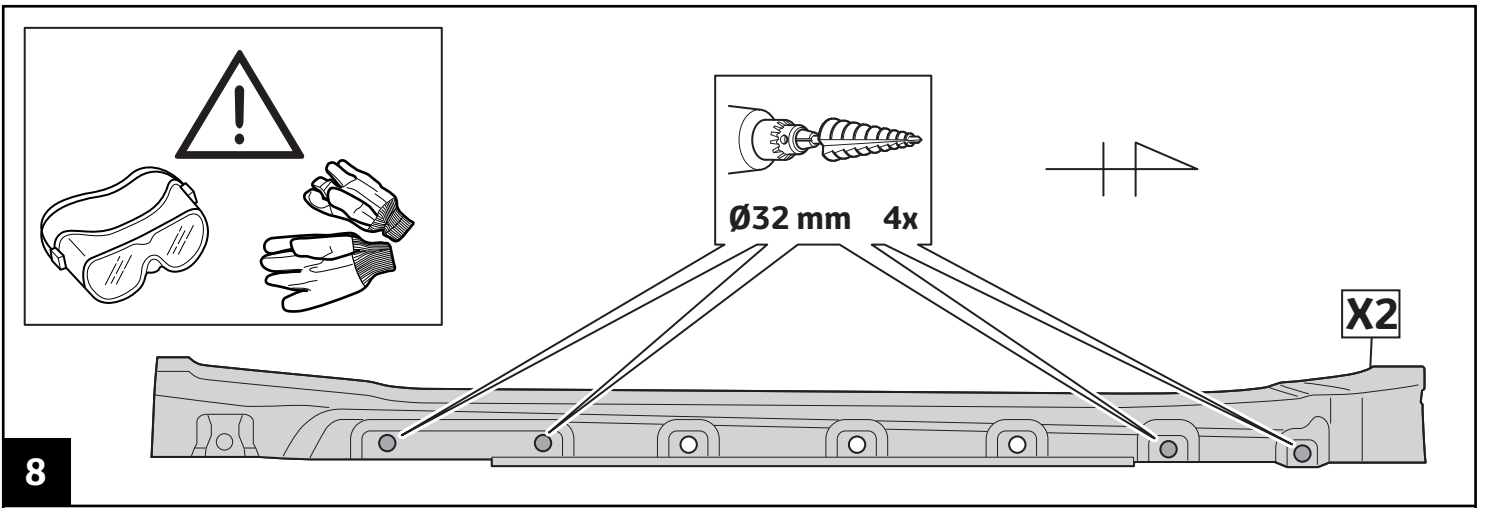
5

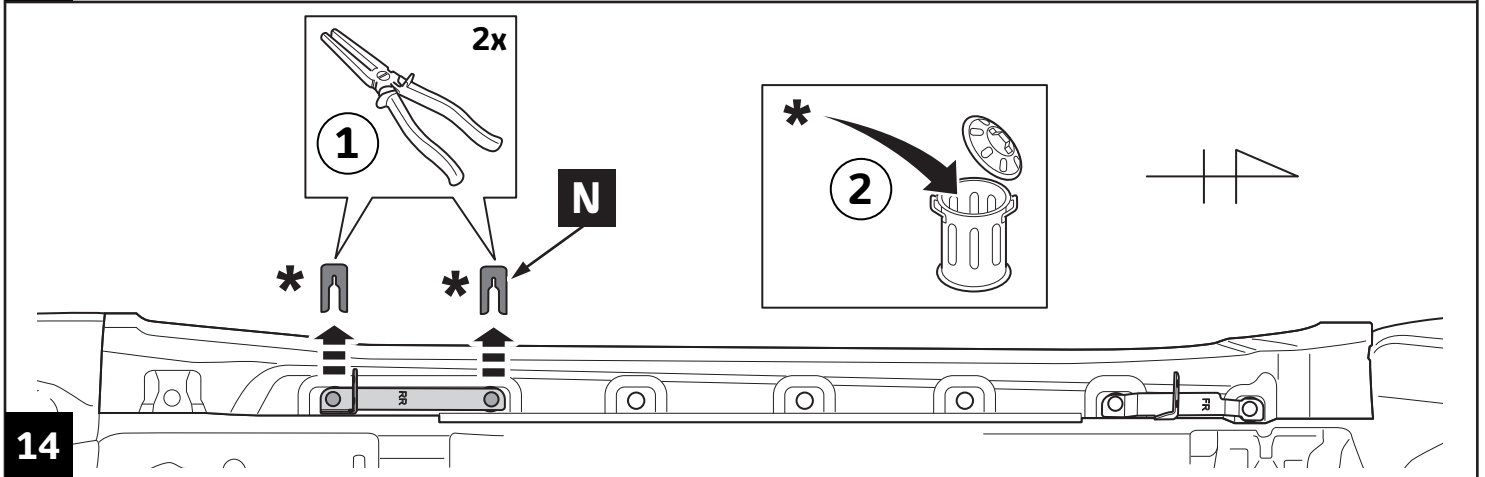
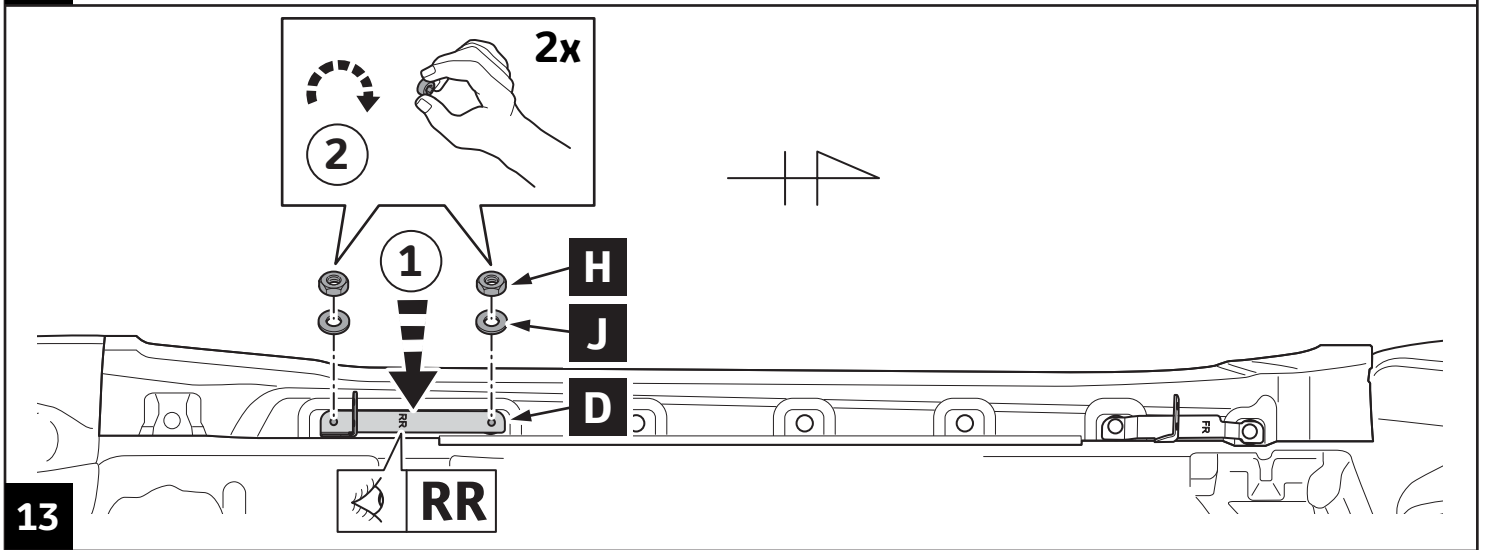
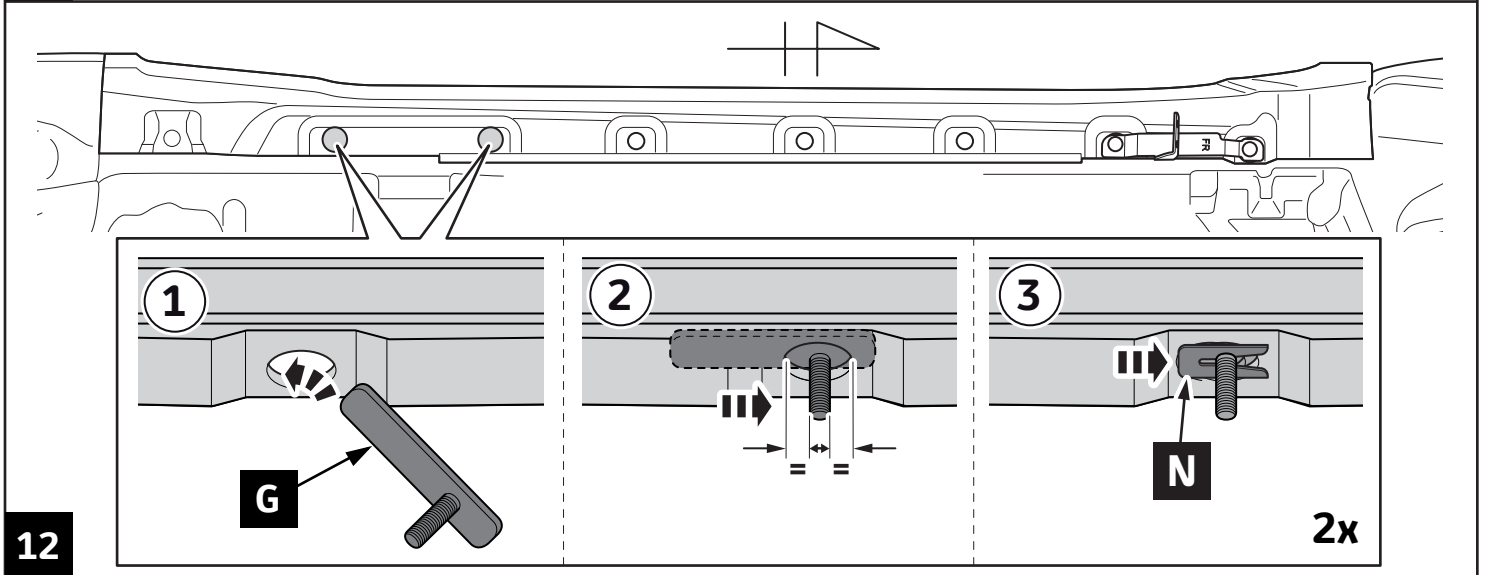
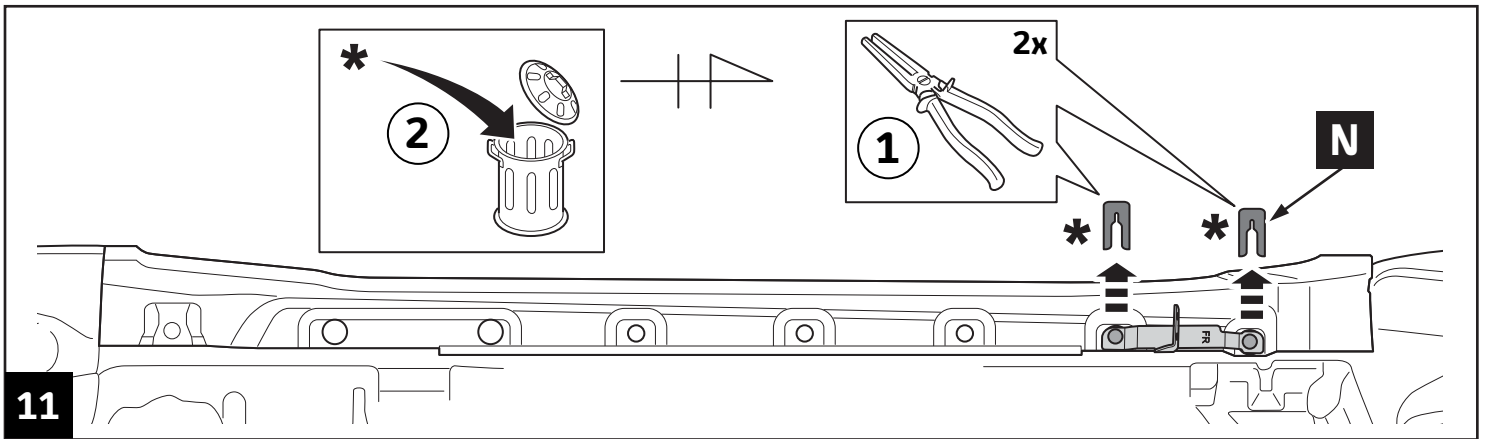


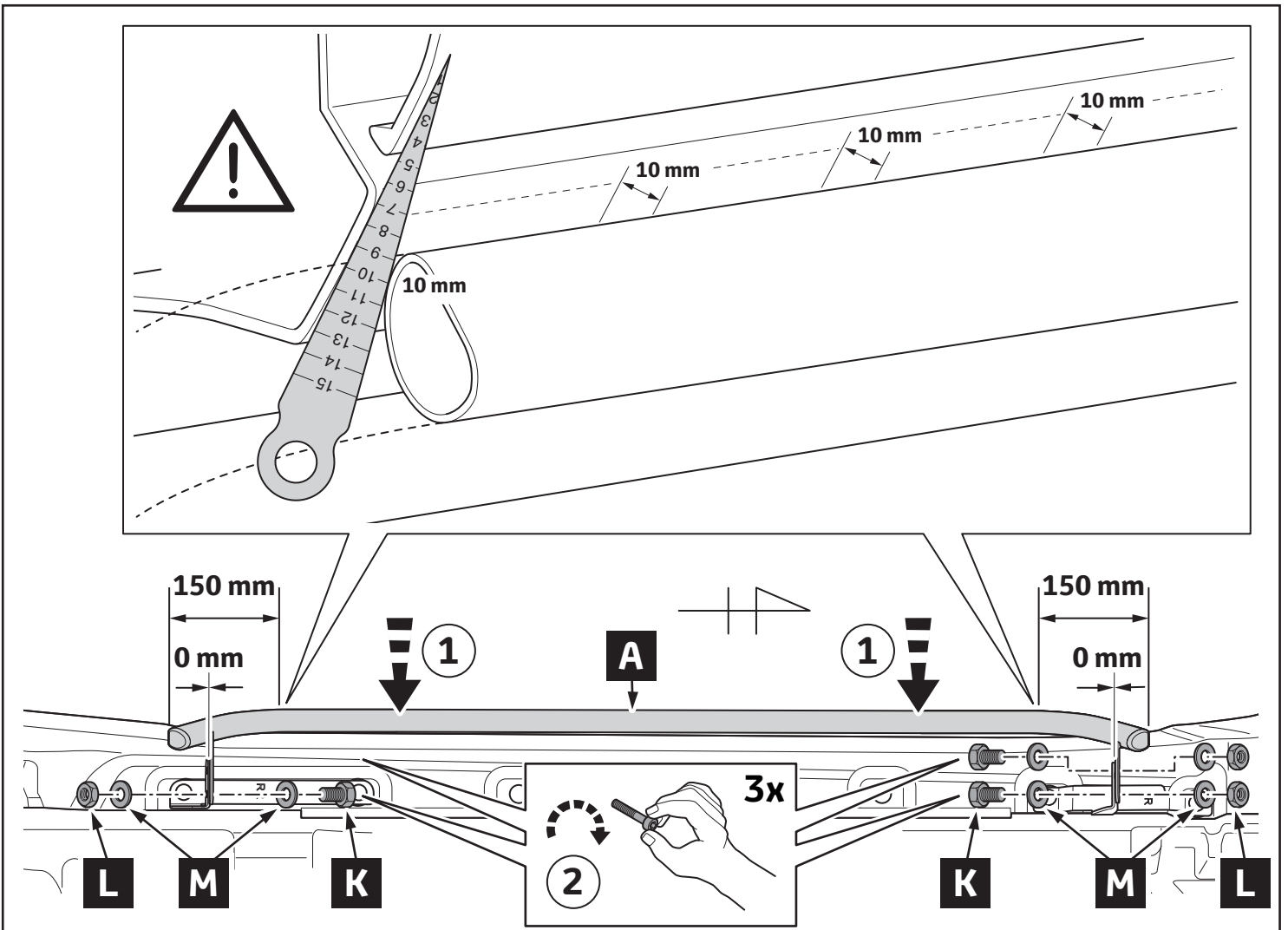
6



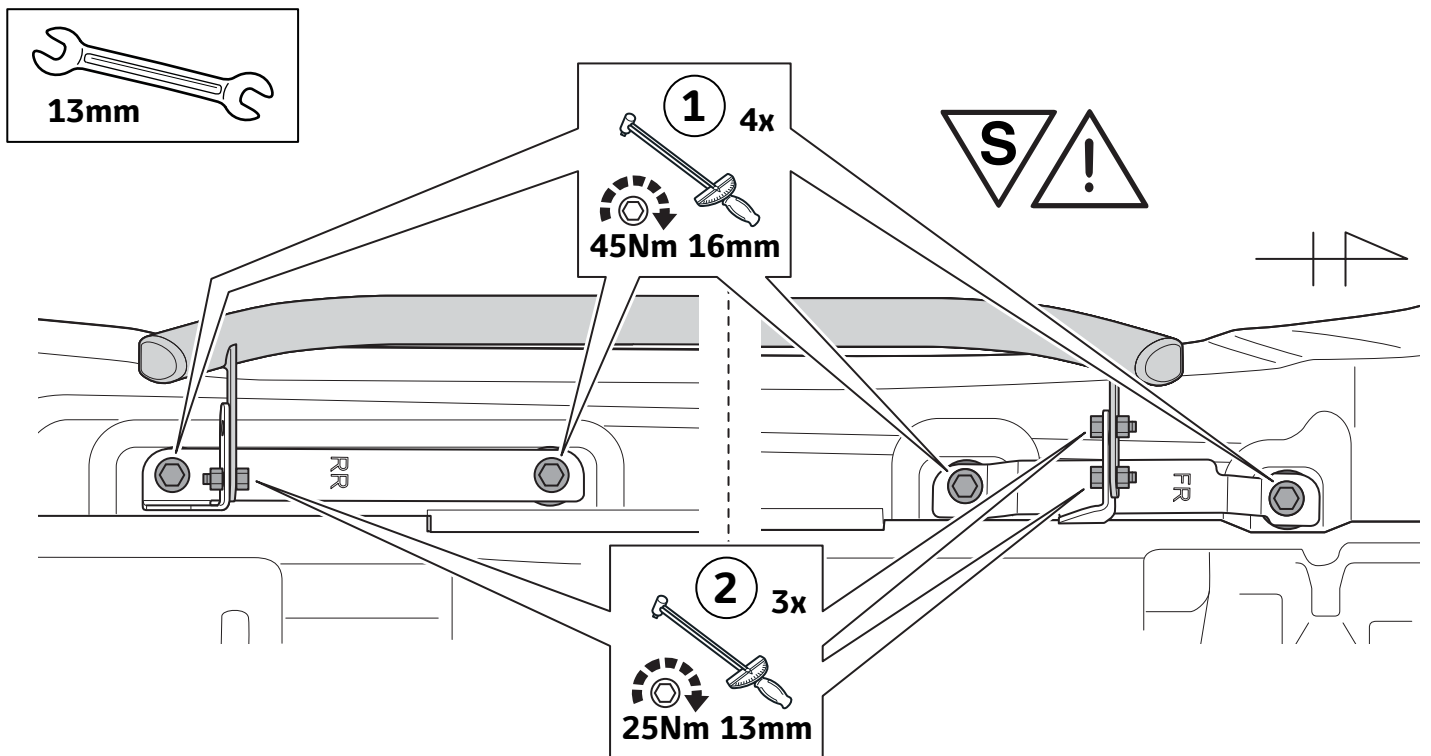
7



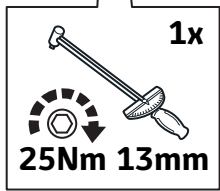
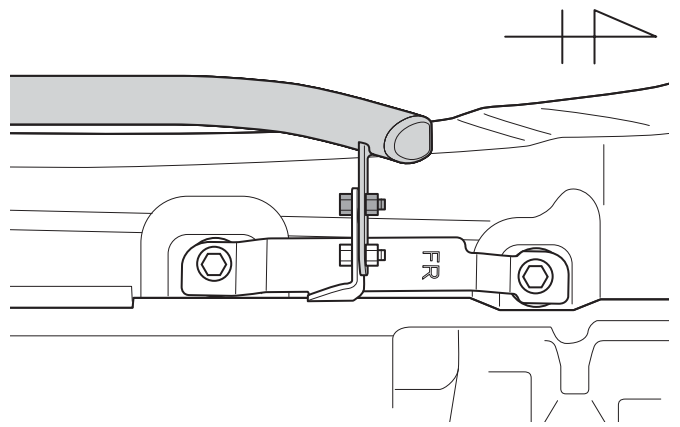
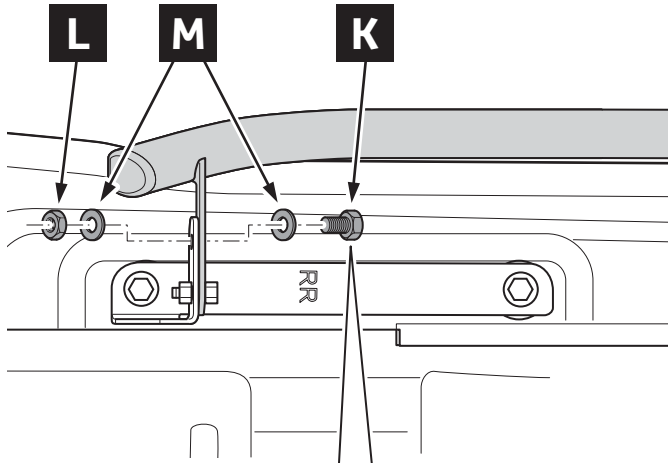
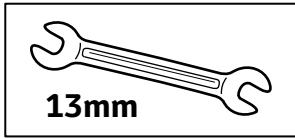




15



16



17

Fig.1 - Fig.17

RHS =

B

E F

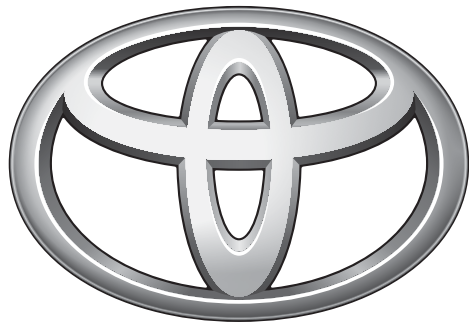
Fig.1 - Fig.17

LHS

A

C D

18



TOYOTA

CHECK SHEET



TOYOTA

Model / Year Toyota C-HR 2016/10

Side bars

VIN n°

ALWAYS A BETTER WAY

P/N = OK

=A **=B**

Serial Number

45 Nm 4x

A **B**

Serial Number

25 Nm 4x

A **B**

LHS **RHS**

10 mm

10 mm

LHS **RHS**

= OK

Installation Date:
 . . / . . /

Technician Name & Signature:

Stamp: