



**TOYOTA**

ALWAYS A  
BETTER WAY

# Toyota C-HR

## Fog lamp ornament

Installation instructions

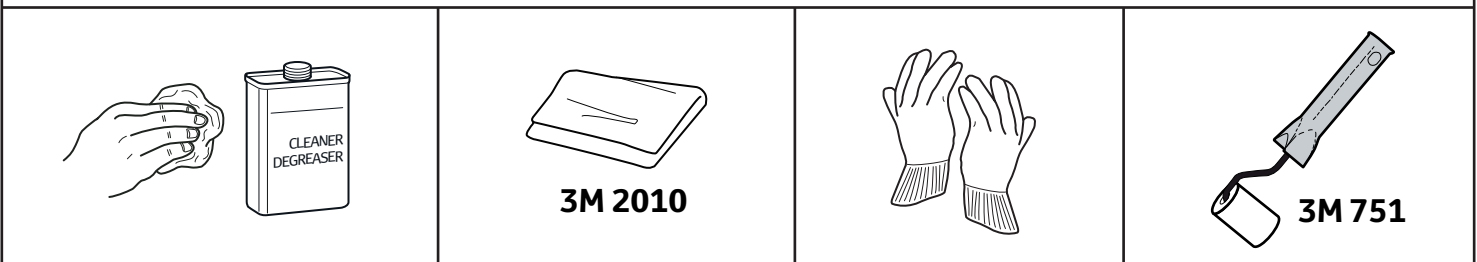
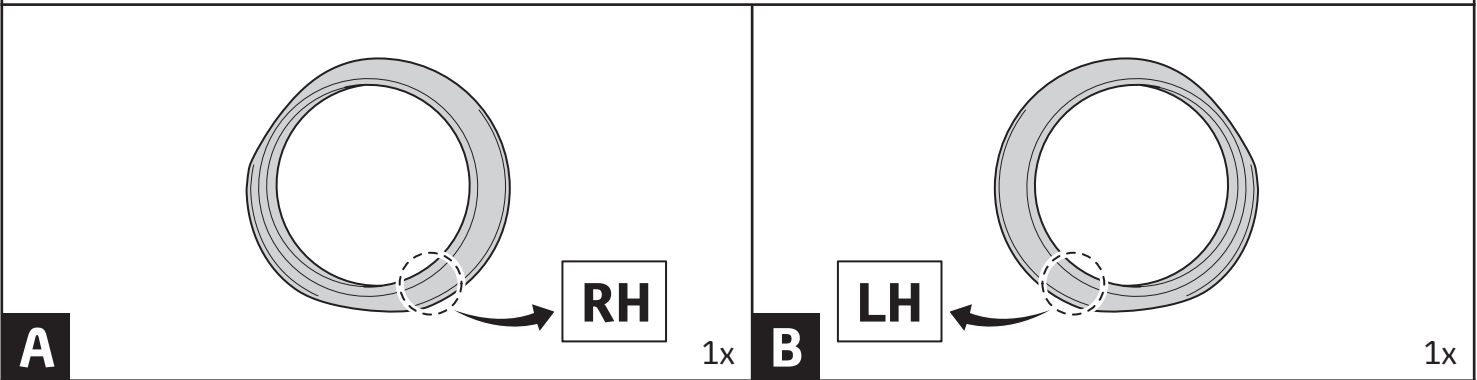
Model year: 2016/10  
Vehicle code: \*\*X\*0\*-AH\*\*\*W  
                  \*\*X\*0\*-AH\*\*\*X  
Part number: PW401-10001-\*\*

Manual reference number: AIM 003 799 - 1

# Revision Record

Rev. No.	Date	Page	Picture	Update	New	Deleted steps
1	29.11.16	1, 2		X		

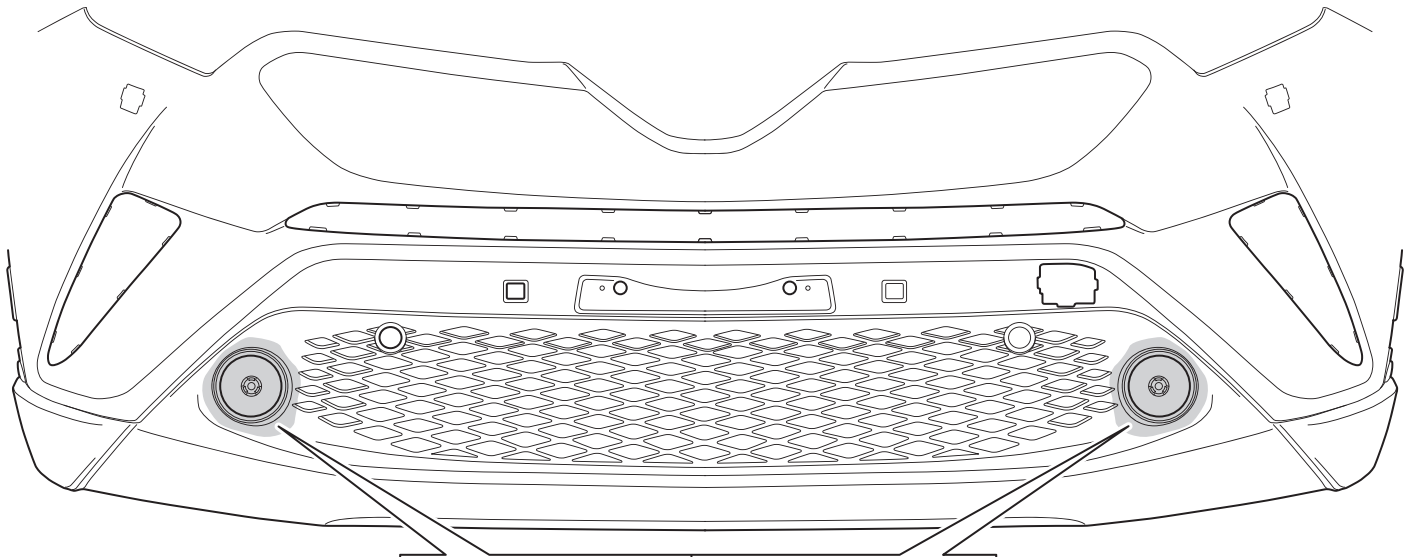
**PW401-10001-\*\***





40°C

18°C



1

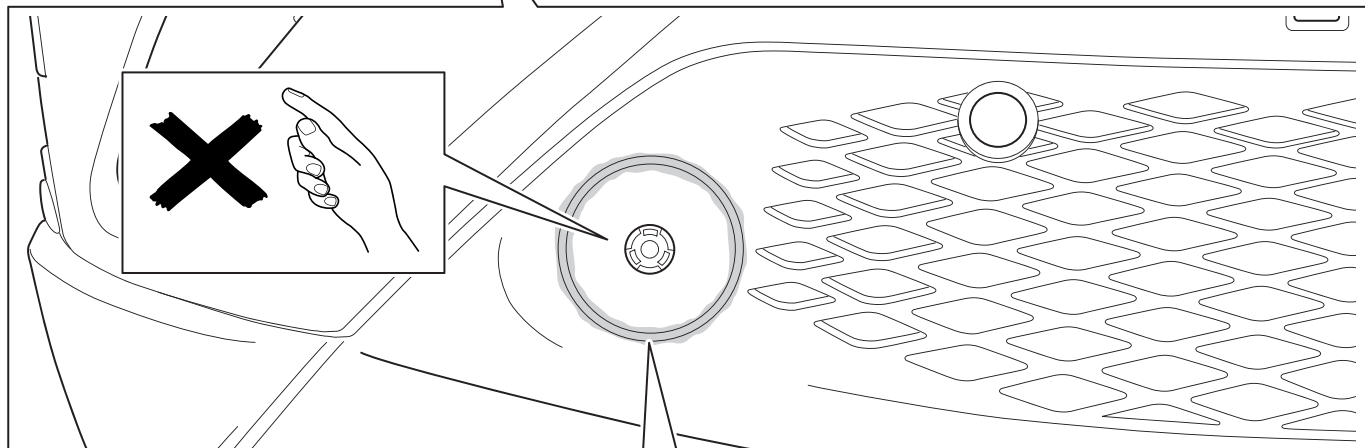
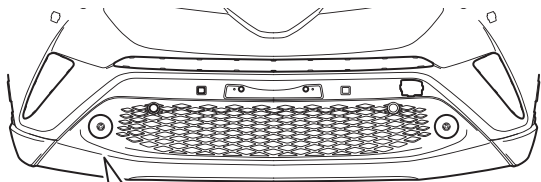


2

3M 2010



1



**1**

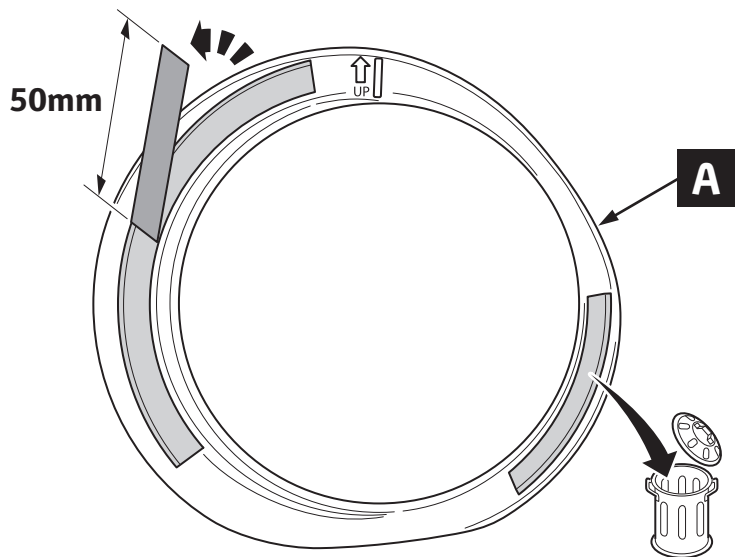
**CLEANER  
DEGREASER**

**2**

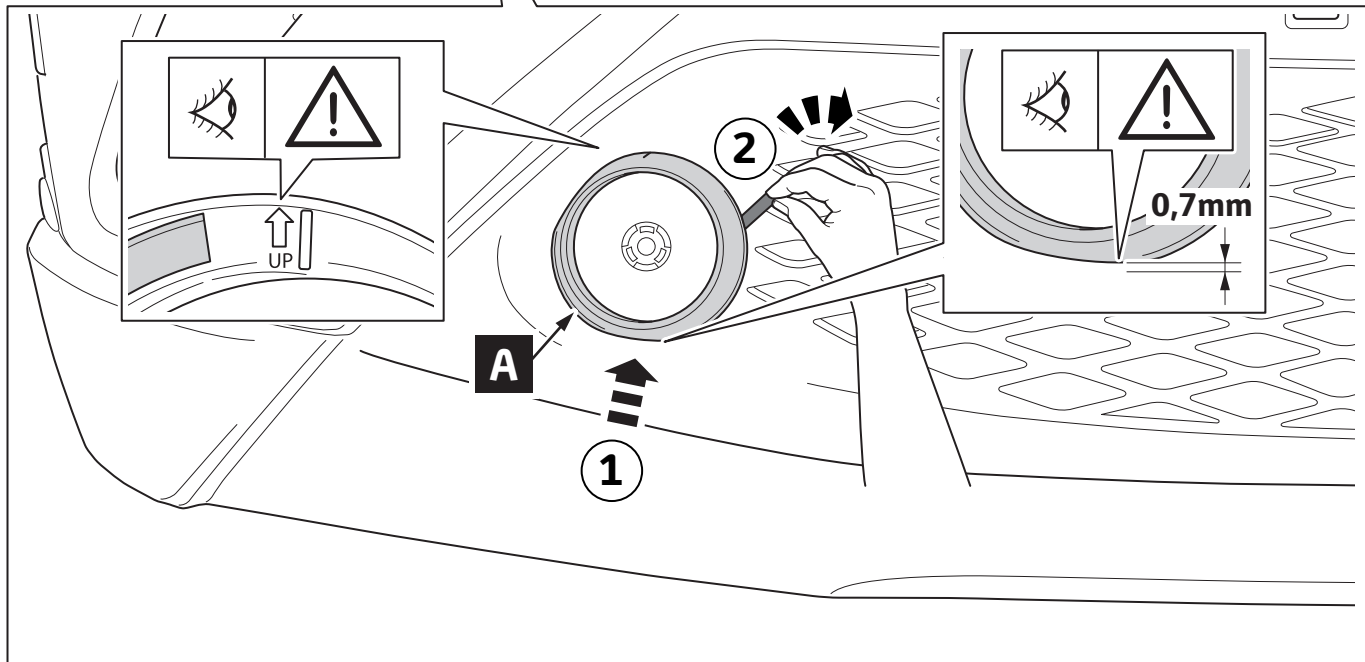
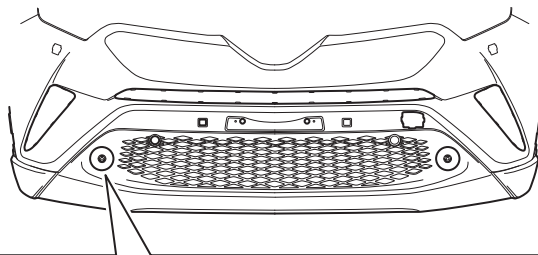
**3M adhesion promoter**

**>1.5 mins.  
< 1 hour**

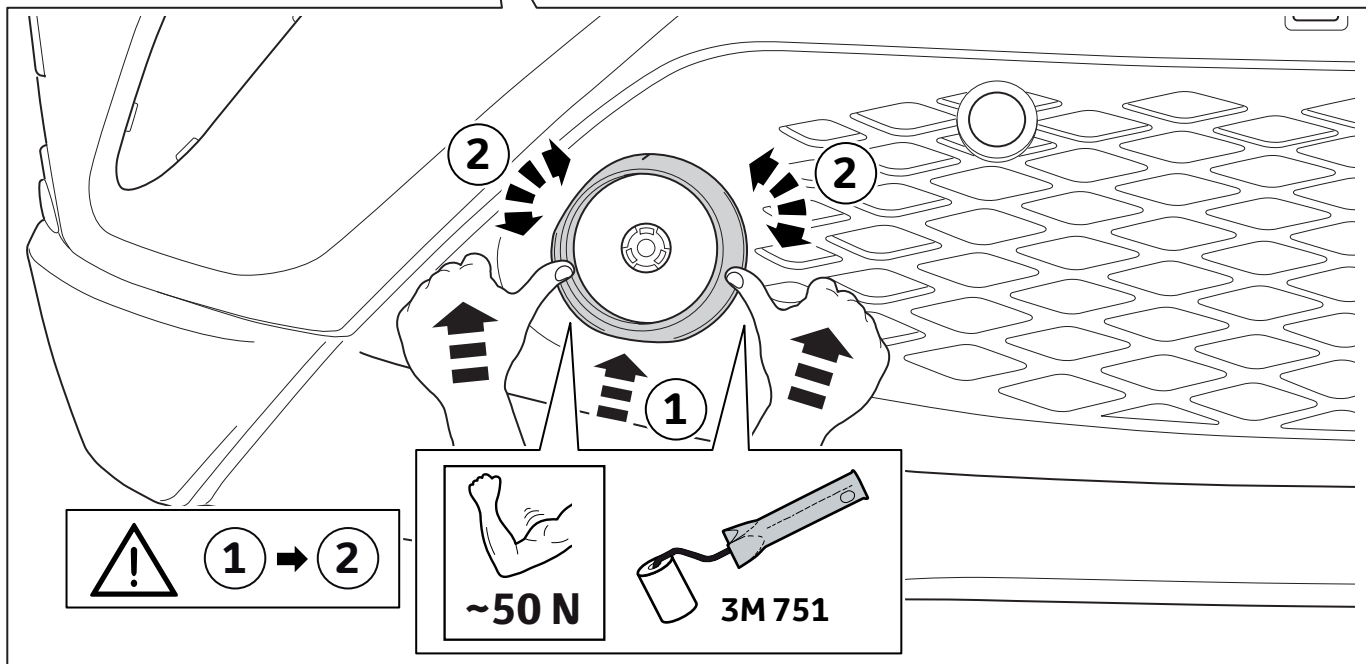
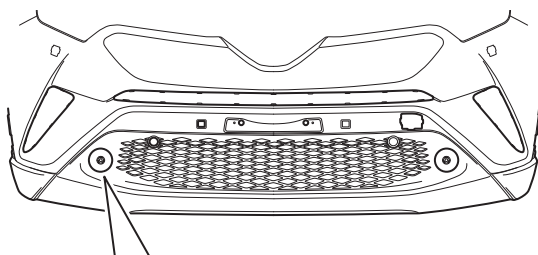
2



3



4



5

Fig.2 - Fig.5

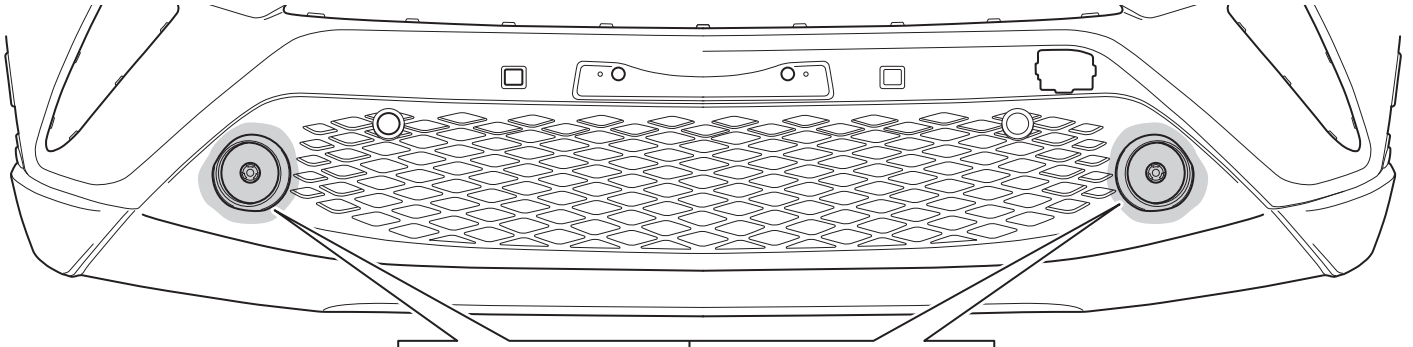
Fig.2 - Fig.5

RHS = LHS

A

B

6



1

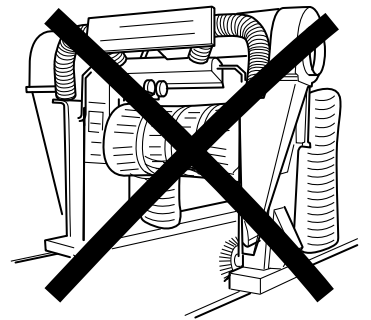
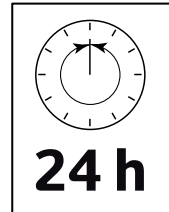
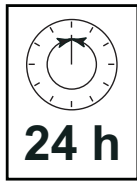
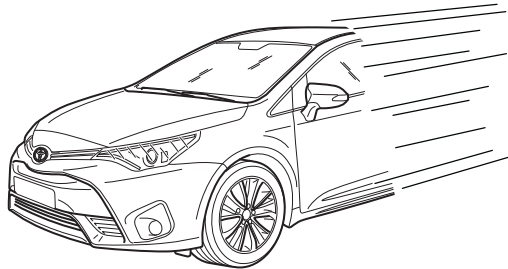
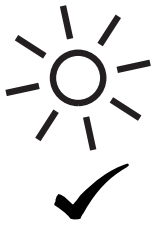


2

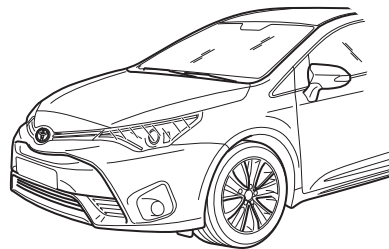
3M 2010



7



> 1 meter



# CHECK SHEET



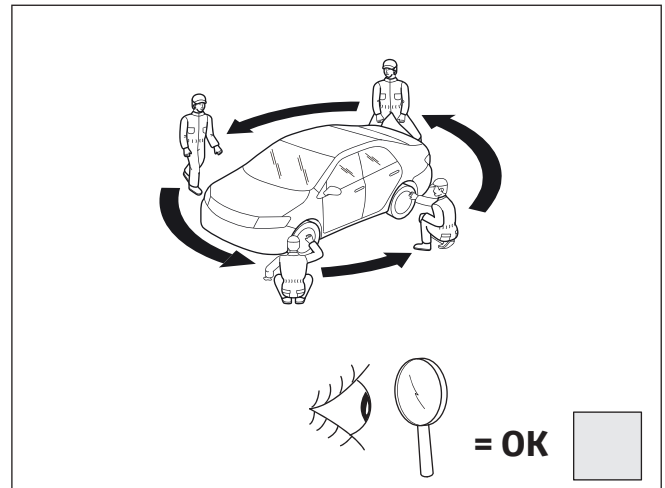
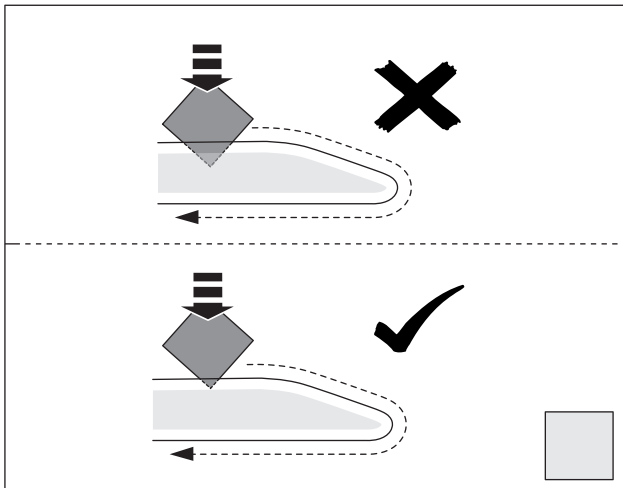
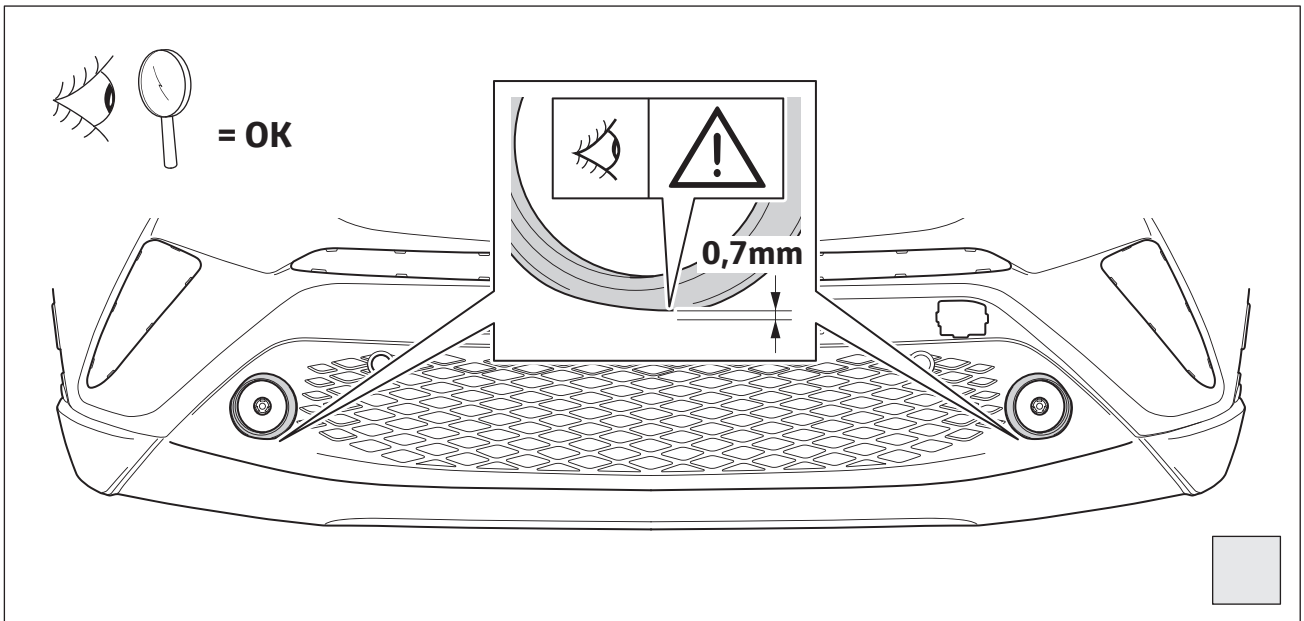
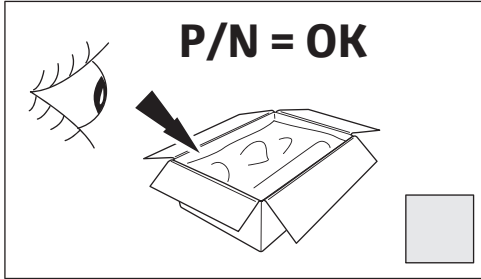
**TOYOTA**

Model / Year **Toyota C-HR**  
**2016/10**

**Fog lamp ornament**

VIN n°

ALWAYS A  
BETTER WAY



**Installation Date:**  
... / ... / ...

**Technician Name & Signature:**

**Stamp:**