

Corolla Cross

Side Steps

Installation Instructions

Model year: As from 2022/07

Vehicle code: ZVG12L-KHX*BW
MXGH***-KHX**W

Part number: PW388-16000

Side Steps

Latest Version
SCAN HERE



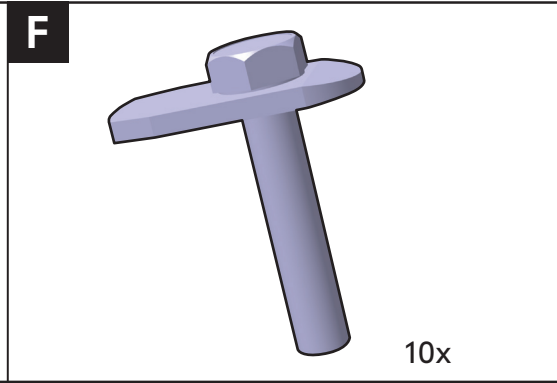
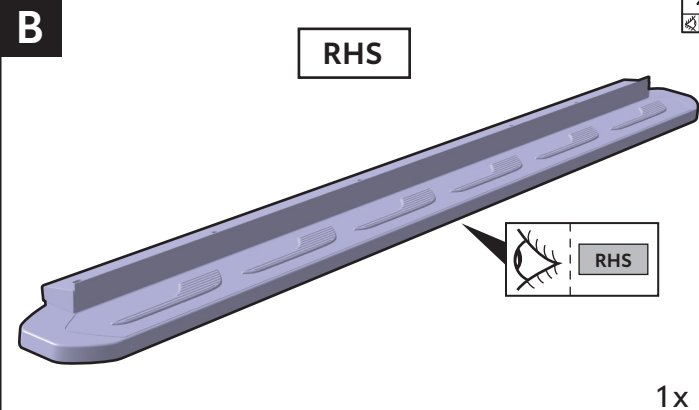
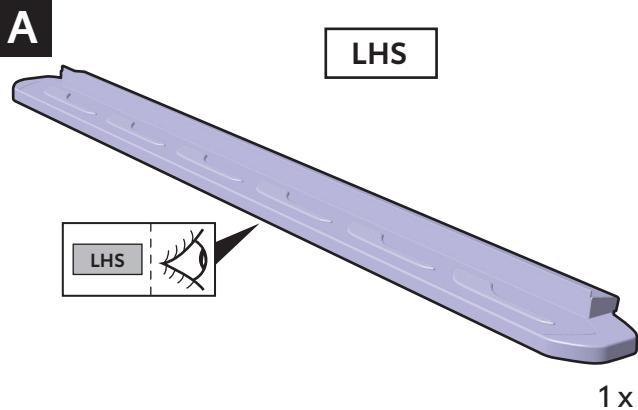
Manual reference number: AIM 006 203-1

Revision Record

Rev. No.	Date	Page	Step	Remarks
△ ₁	19.05.2023			Updated to latest Standards

KIT CONTENT

PW388-16000



GENERAL



Material Safety Data Sheet

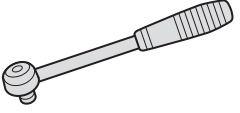
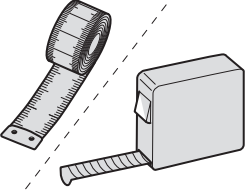


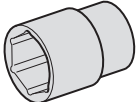
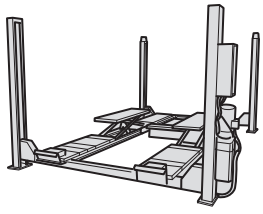
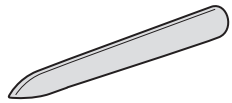
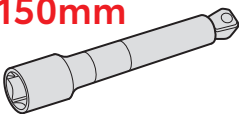


Technical Data Sheet





LEGEND

= XX mm	= or	=
= XX mm	=	=
=	=	=
= TXX	=	= START


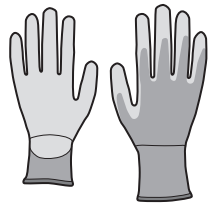
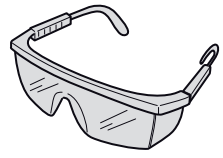
TOOLS

RATCHET	TAPE MEASURE	TORQUE WRENCH	HEXAGONAL SOCKET	4 POST CAR LIFT
			 13mm 32mm 	
PLASTIC TRIM REMOVAL TOOL	EXTENSION BAR			
	150mm 			

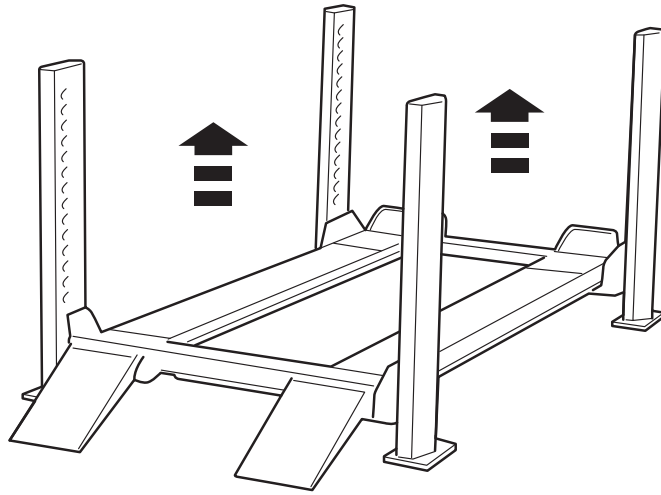
CONSUMABLES

CLEANER / DEGREASER SPRAY			
    AIM 003 516-*			

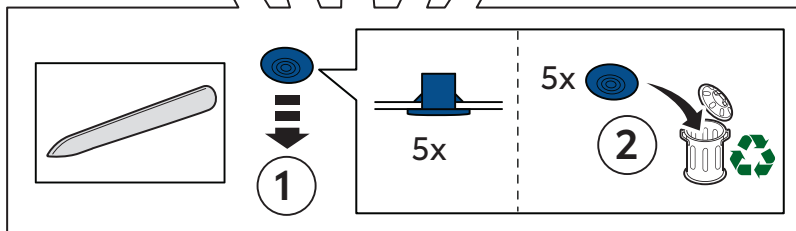
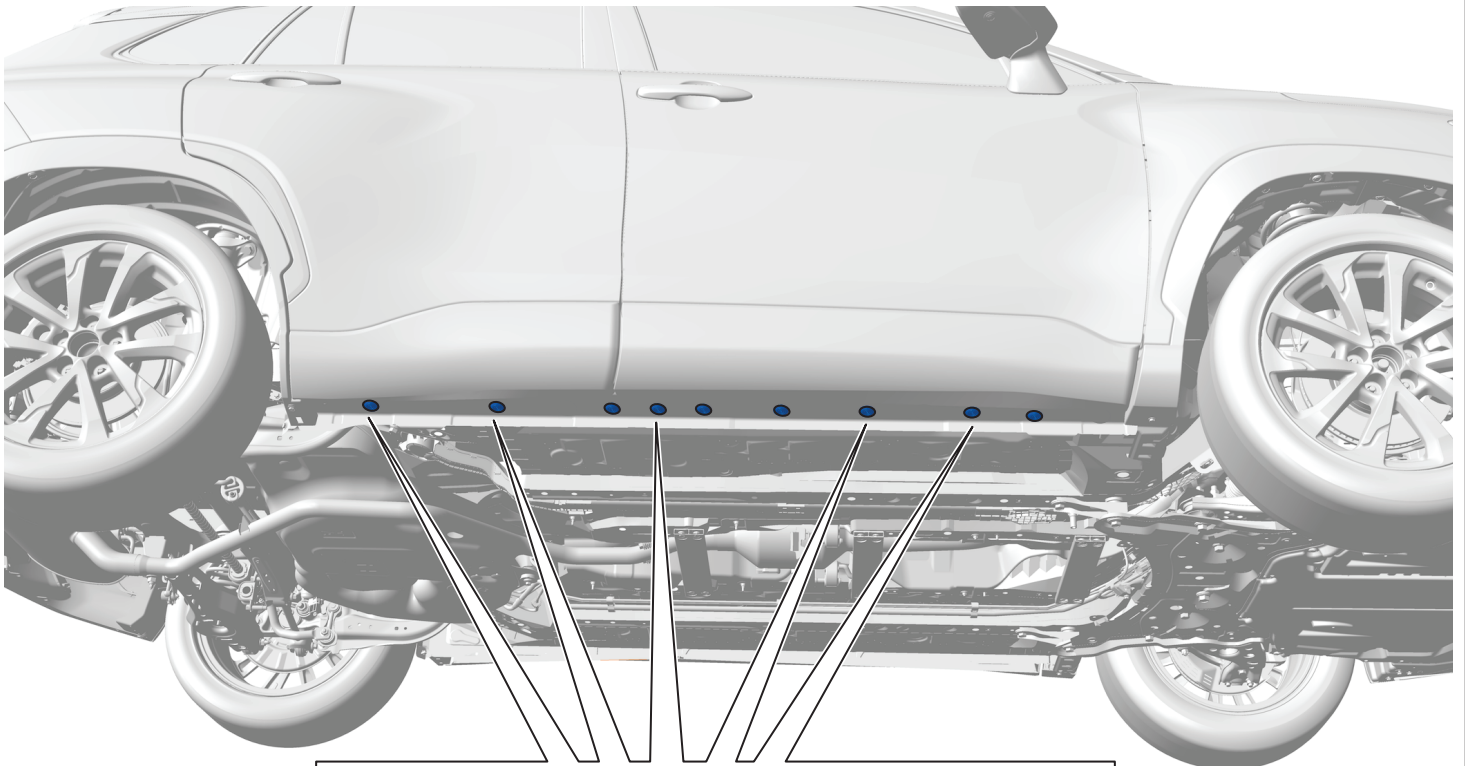
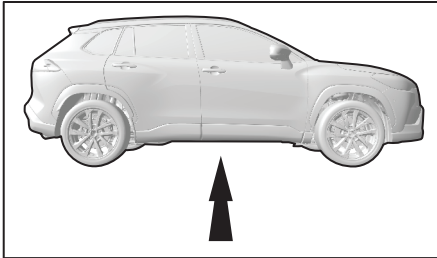
PERSONAL PROTECTION EQUIPMENT

PROTECTIVE GLOVES	SAFETY GLASSES			For Symbols Explanation SCAN HERE 
				

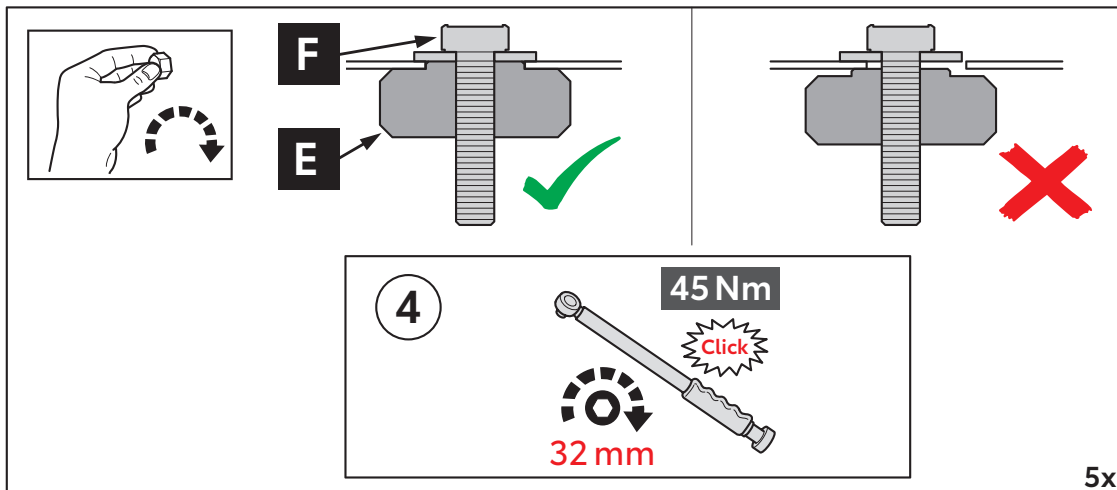
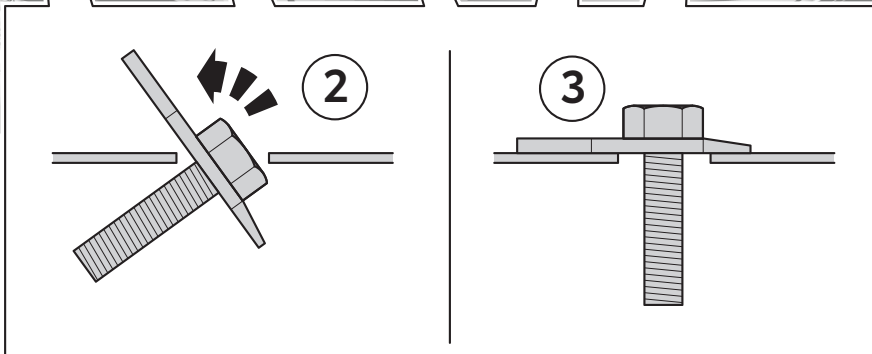
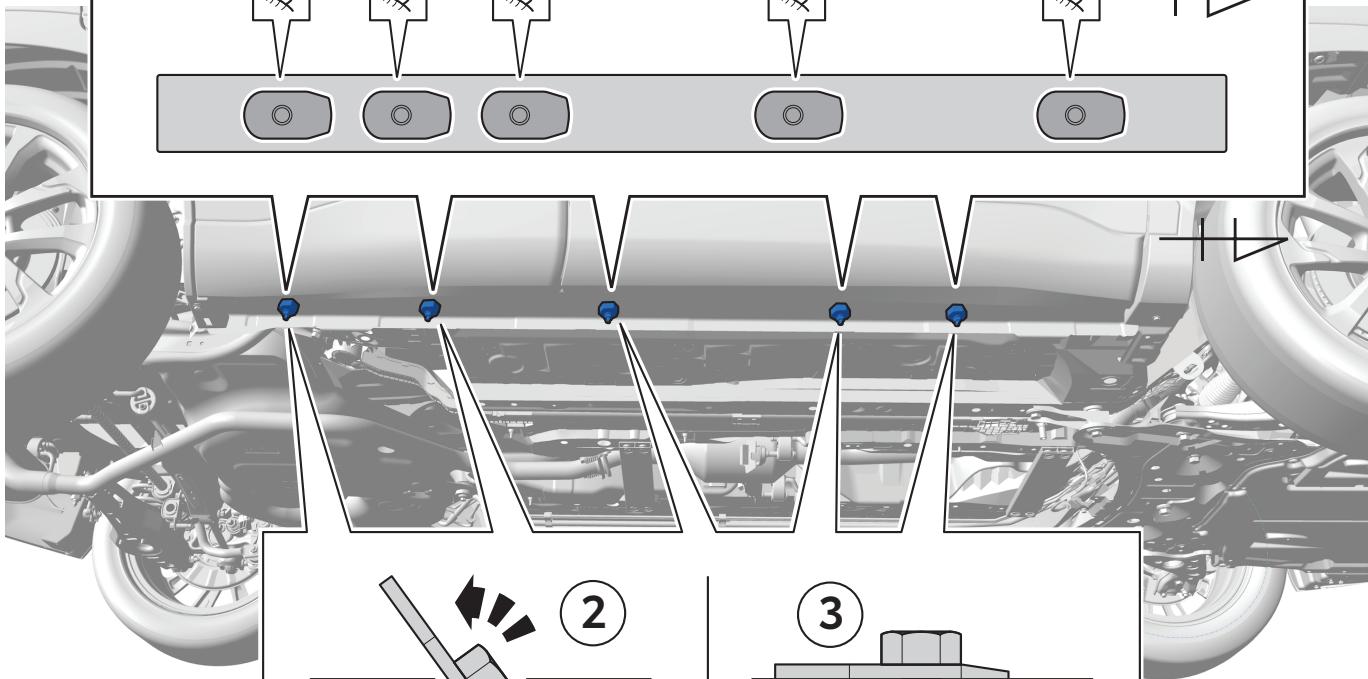
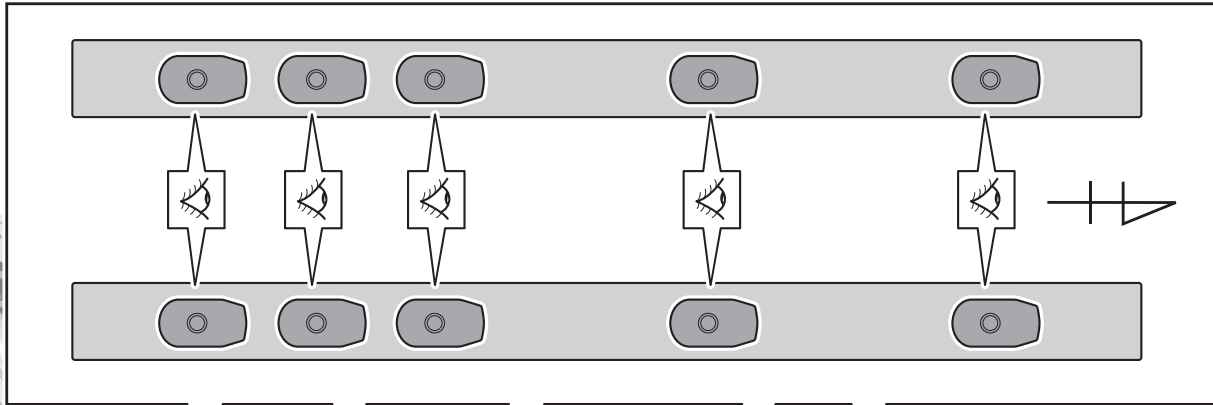
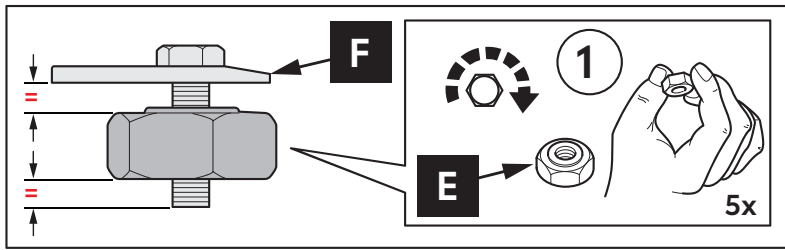
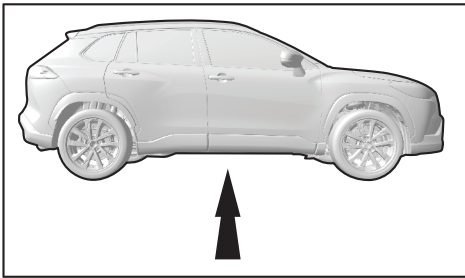
INSTALLATION INSTRUCTIONS

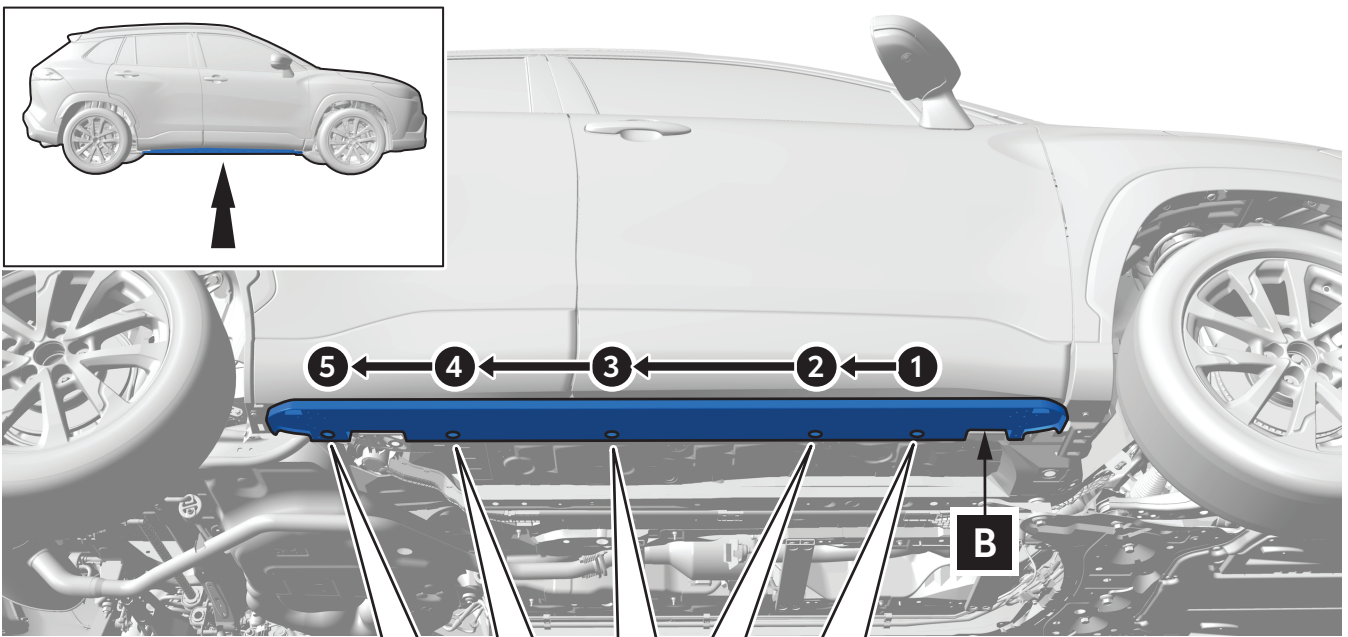
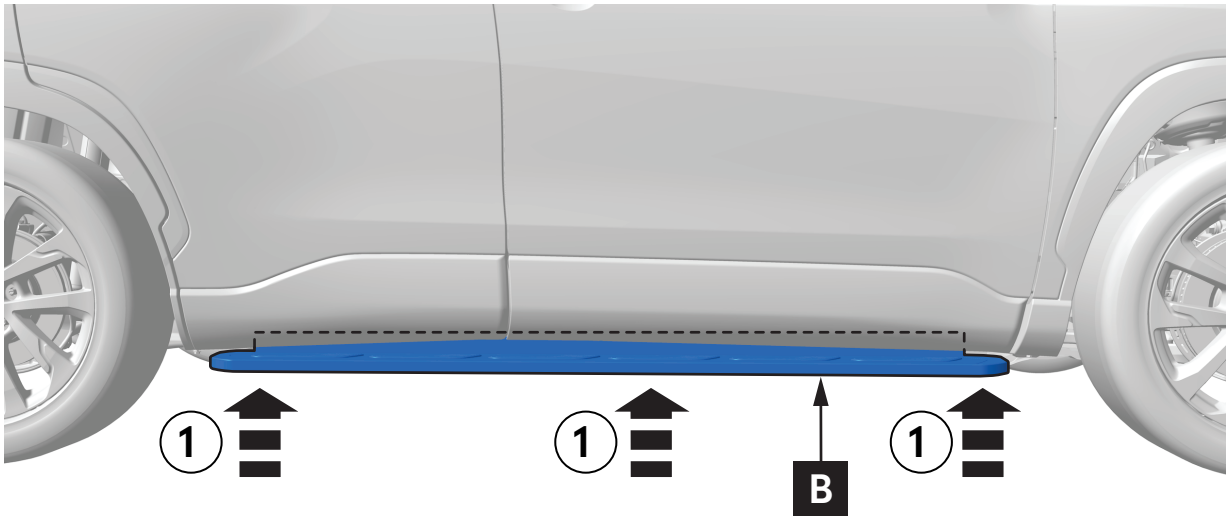
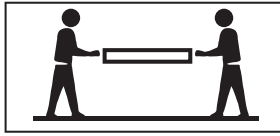
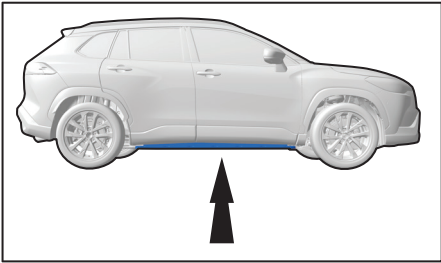


1



2





4

D

B

3

24 Nm

Click

1...5

13 mm

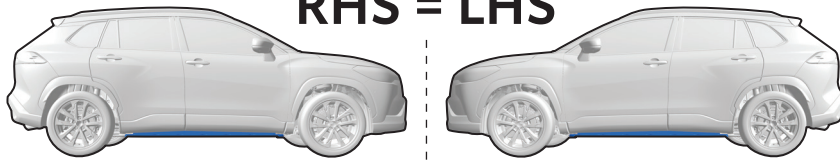
150 mm

5x

2

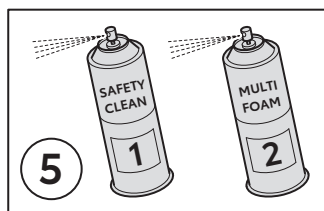
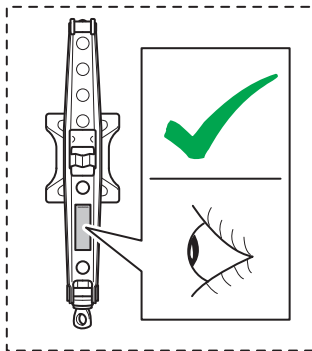
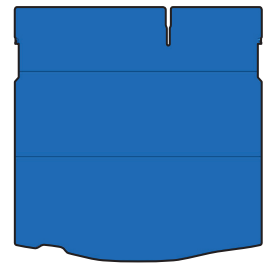
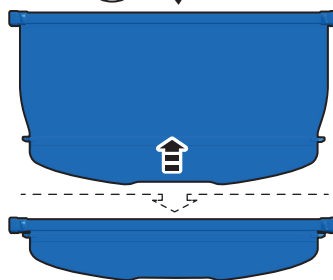
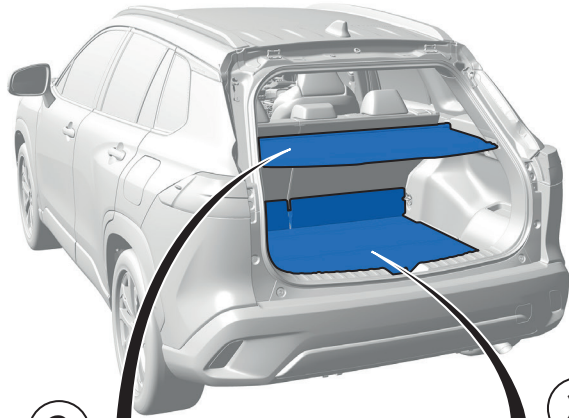
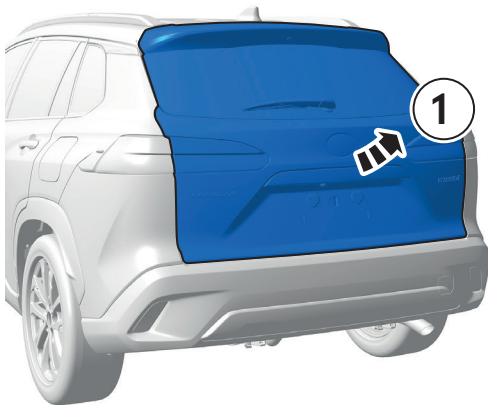
5x

RHS = LHS



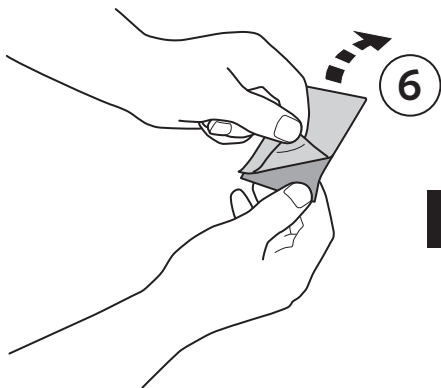
5

WITH SPARE WHEEL

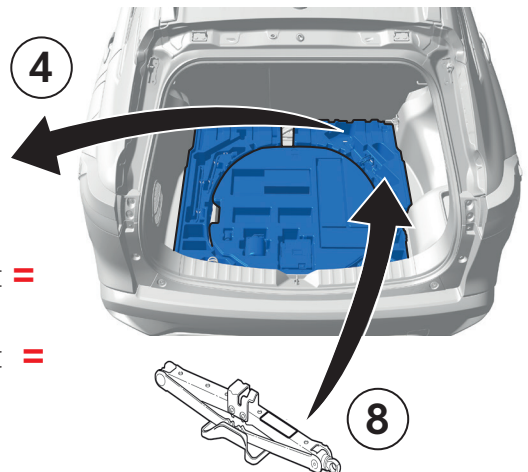
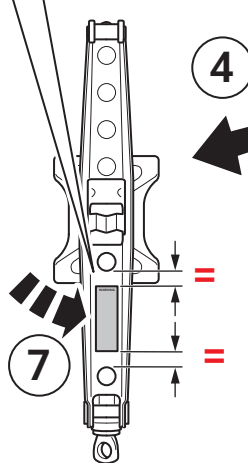


OWNERS MANUAL

11 of 15



C



6

FOR VEHICLES WITHOUT WHEEL JACK & WITH TOWING WARNING STICKER LOCATION



OPTION 1 10mm 10mm

OPTION 2 10mm 10mm

1. Remove the front bumper cover.

2. Clean the surface with **SAFETY CLEAN** (1) and apply **MULTI FOAM** (2).

3. Peel the sticker from the backing.

4. Adhere the sticker to the bumper.

OPTION 1 (Correct): The sticker is placed on the left side of the bumper, with 10mm clearance from the center and 10mm from the edge. A green checkmark indicates this is the correct placement.

OPTION 2 (Incorrect): The sticker is placed on the right side of the bumper, with 10mm clearance from the center and 10mm from the edge. A red X indicates this is incorrect.

OPTION 1 10mm 10mm

OPTION 2 10mm 10mm

1. Remove the front bumper cover.

2. Clean the surface with **SAFETY CLEAN** (1) and apply **MULTI FOAM** (2).

3. Peel the sticker from the backing.

4. Adhere the sticker to the bumper.

OPTION 1 (Correct): The sticker is placed on the right side of the bumper, with 10mm clearance from the center and 10mm from the edge. A green checkmark indicates this is the correct placement.

OPTION 2 (Incorrect): The sticker is placed on the left side of the bumper, with 10mm clearance from the center and 10mm from the edge. A red X indicates this is incorrect.

FOR VEHICLES WITHOUT WHEEL JACK & WITHOUT TOWING WARNING STICKER LOCATION



10mm

WARNING
WHEN JACKING VEHICLE FITTED WITH SIDE STEPS

1. REMOVE LOAD AND OCCUPANTS FROM VEHICLE BEFORE JACKING.
2. DO NOT JACK UNDER SIDE STEP COMPONENTS.
3. FOLLOW INSTRUCTIONS FOR VEHICLE JACKING IN OWNERS MANUAL.

4 **C**

3

WARNING
WHEN JACKING VEHICLE FITTED WITH SIDE STEPS

1. REMOVE LOAD AND OCCUPANTS FROM VEHICLE BEFORE JACKING.
2. DO NOT JACK UNDER SIDE STEP COMPONENTS.
3. FOLLOW INSTRUCTIONS FOR VEHICLE JACKING IN OWNERS MANUAL.

2

1

SAFETY CLEAN

MULTI FOAM

10mm

WARNING
WHEN JACKING VEHICLE FITTED WITH SIDE STEPS

1. REMOVE LOAD AND OCCUPANTS FROM VEHICLE BEFORE JACKING.
2. DO NOT JACK UNDER SIDE STEP COMPONENTS.
3. FOLLOW INSTRUCTIONS FOR VEHICLE JACKING IN OWNERS MANUAL.

4 **C**

3

WARNING
WHEN JACKING VEHICLE FITTED WITH SIDE STEPS

1. REMOVE LOAD AND OCCUPANTS FROM VEHICLE BEFORE JACKING.
2. DO NOT JACK UNDER SIDE STEP COMPONENTS.
3. FOLLOW INSTRUCTIONS FOR VEHICLE JACKING IN OWNERS MANUAL.

1

2

SAFETY CLEAN

MULTI FOAM

8

OWNERS MANUAL
XXXXXXXXXXXXXXXXXXXX
Side steps - XXXXX-XXXX

JACKING POINT LOCATION

LHS-RHS

OWNERS MANUAL

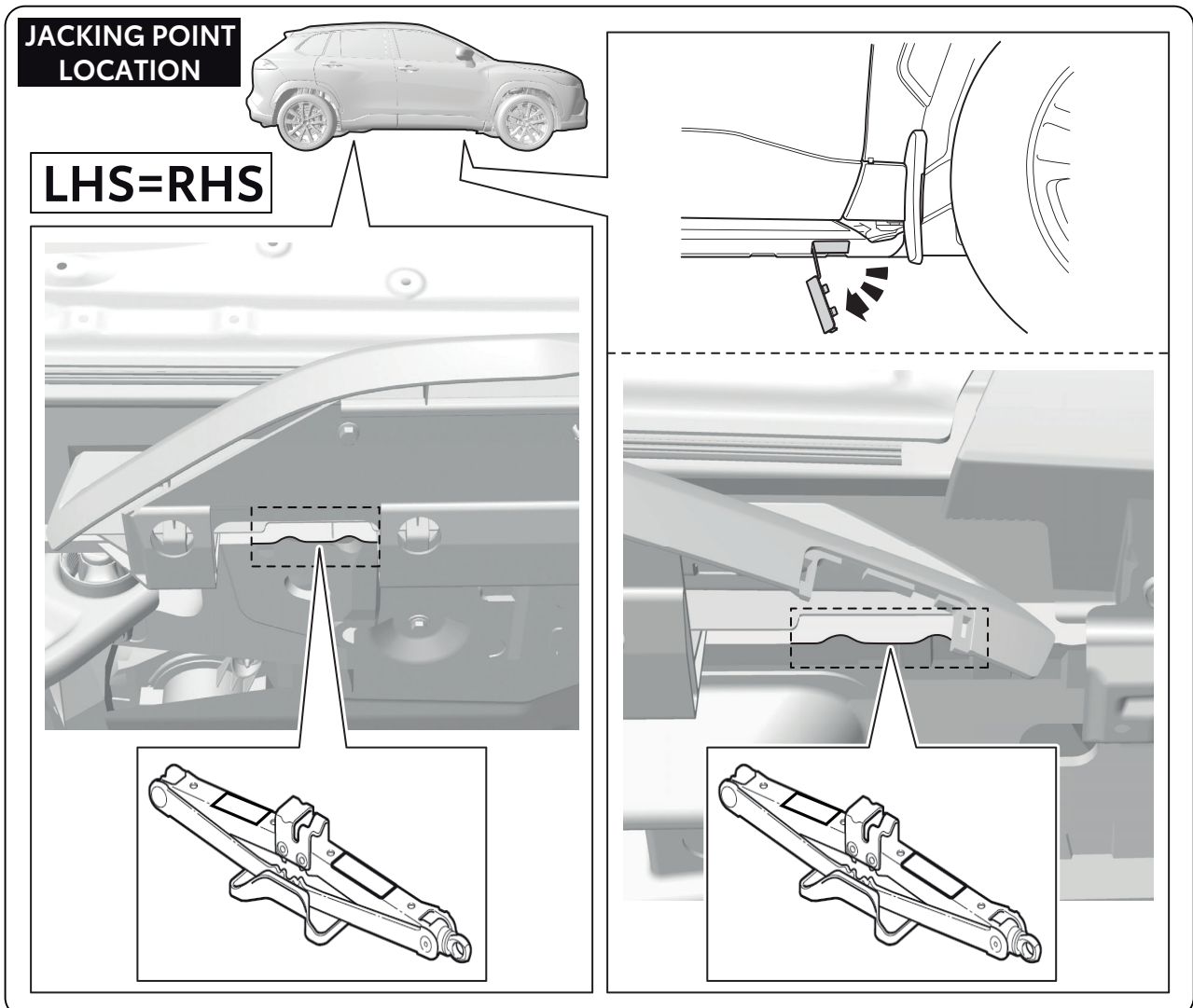
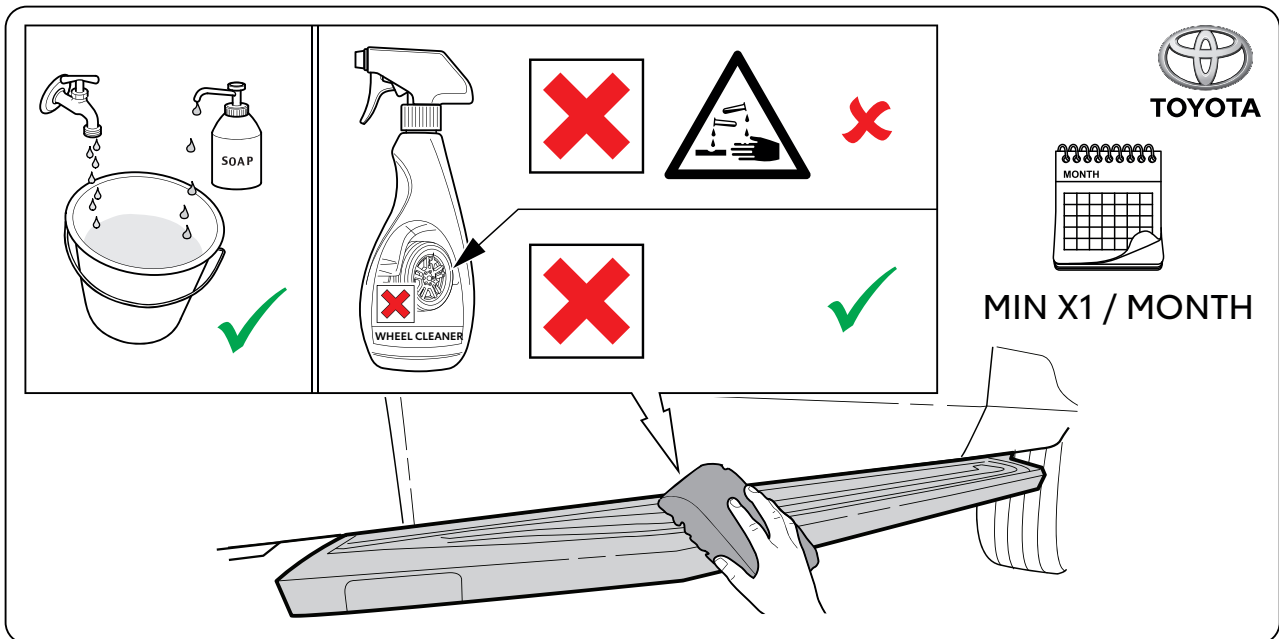
11 of 15

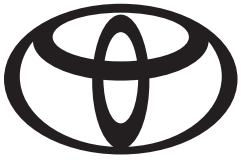


9

OWNERS MANUAL

Corolla Cross As from 2022/07 Side Steps - PW388-16000





CHECK SHEET

Page 1 of 4

Model/Year

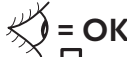
Corolla Cross
As from 2022/07

Side Steps


VINn°

DURING INSTALLATION

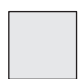
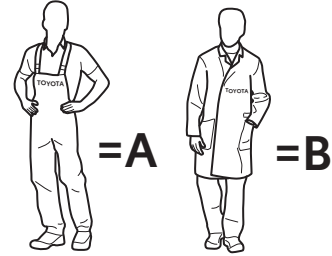
1



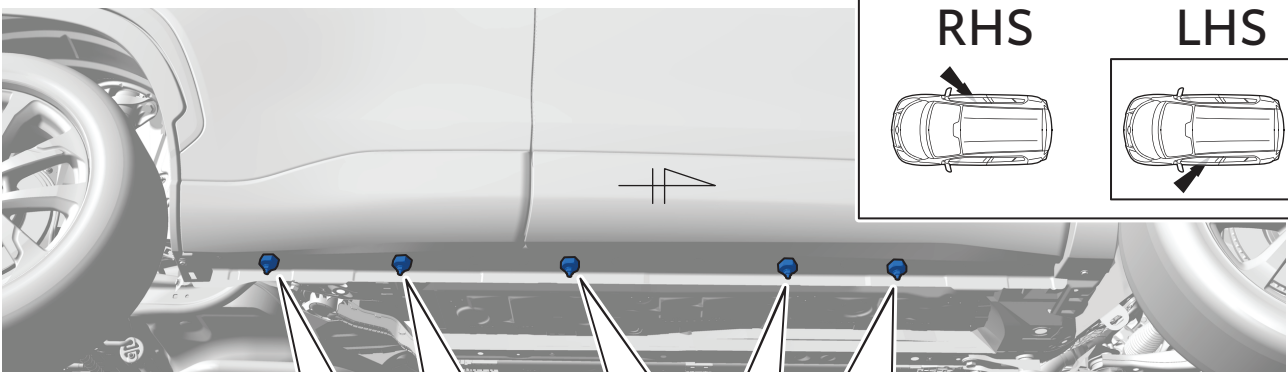
= OK



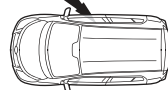
P/N = OK

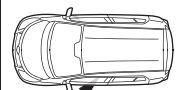
2



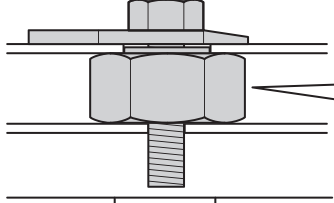
RHS




LHS



5x




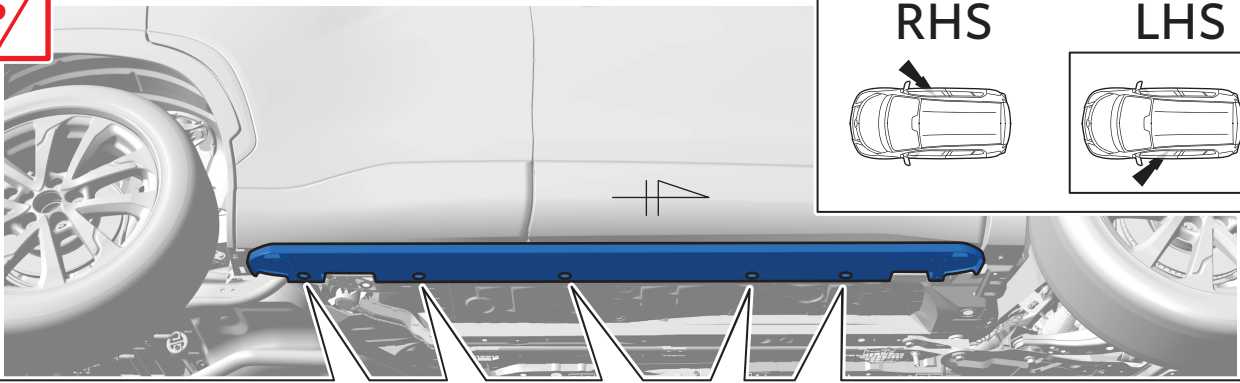


Serial Number

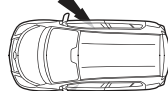
45 Nm

<input type="text"/>	<input type="text"/>
RHS	LHS

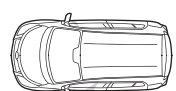
3

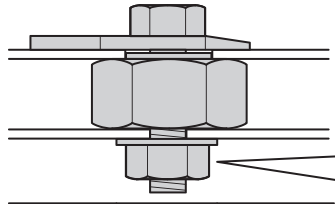
RHS




LHS



5x







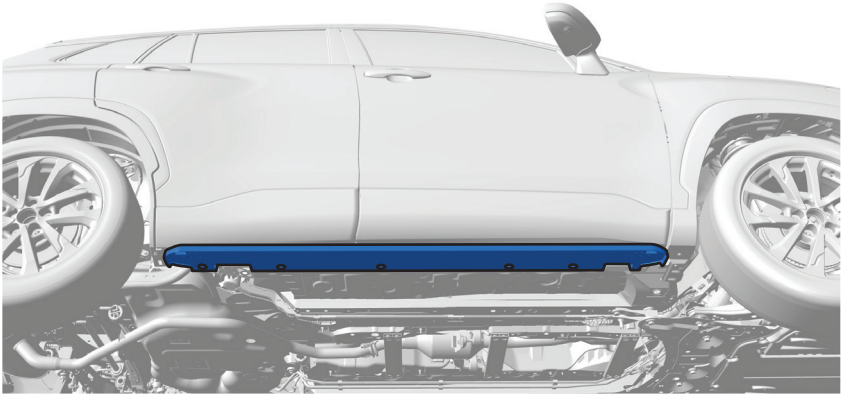
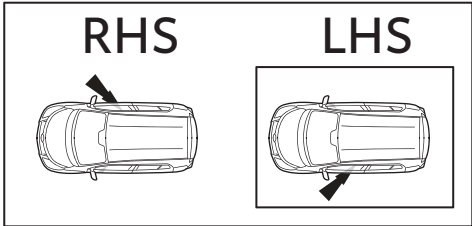
Serial Number

24 Nm

<input type="text"/>	<input type="text"/>	<input type="text"/>	<input type="text"/>
A	B	A	B
RHS		LHS	


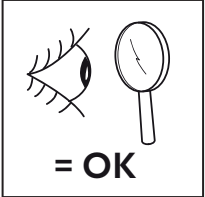
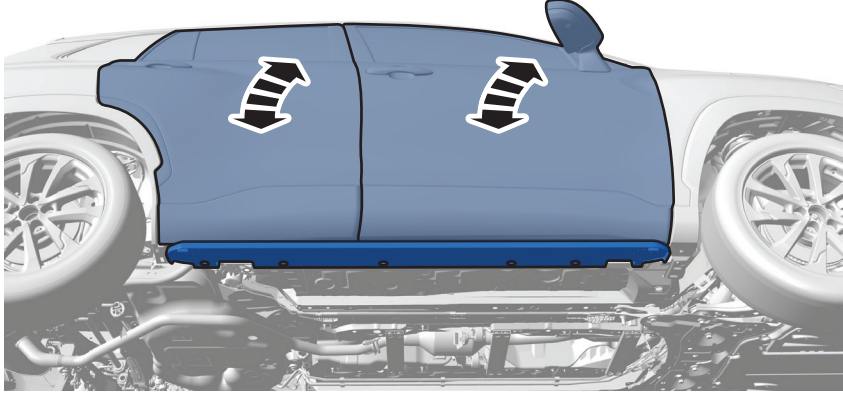
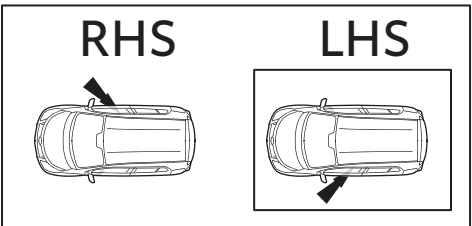
1

RHS **LHS**




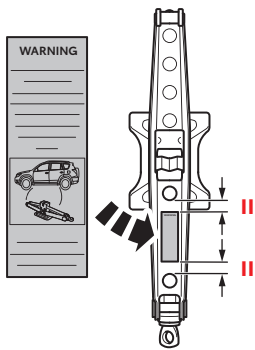
2

RHS **LHS**

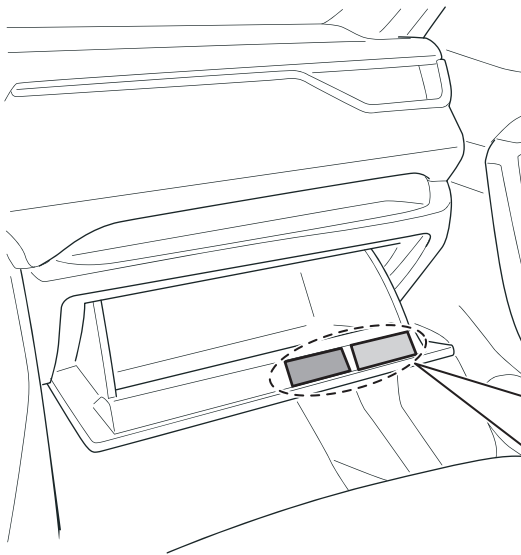
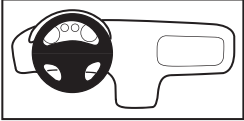


3

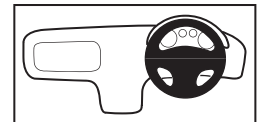
WITH SPARE WHEEL



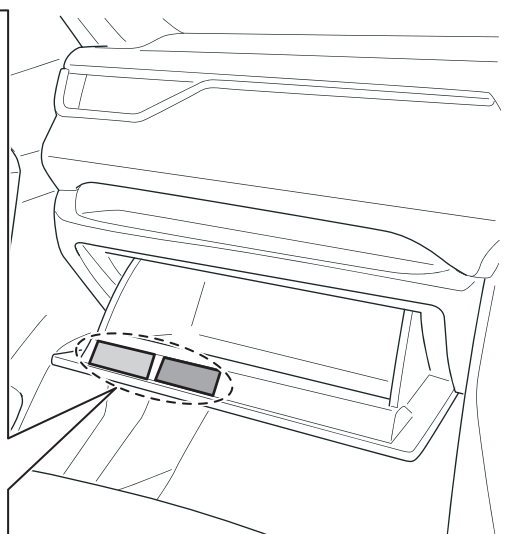
FOR VEHICLES WITHOUT SPARE WHEEL & WITH TOWING WARNING STICKER LOCATION



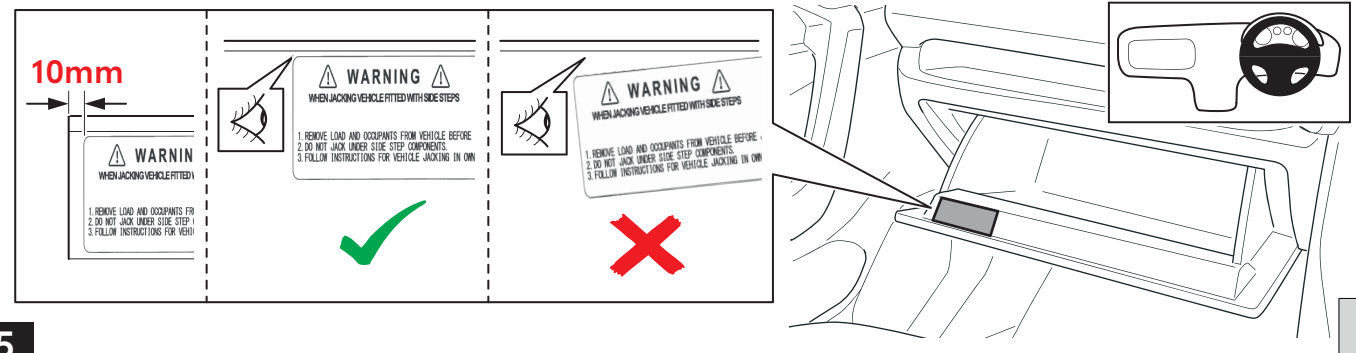
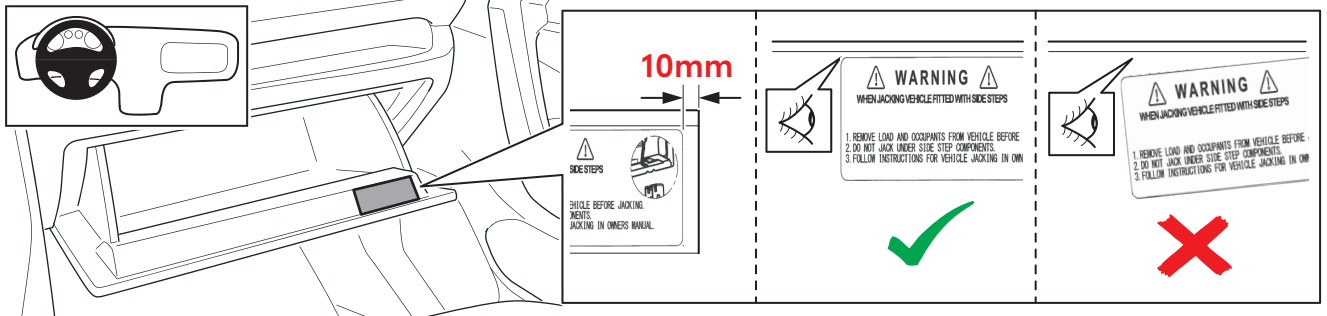
<p>OPTION 1</p> <p>10mm 10mm</p> <p>WARNING WERKVOERVOER/VEHICULO EN MOVIMIENTO 1. EVITE LLENAR Y RECARGAR EL VEHICULO ANTES DE JALAR. 2. NO JALAR NI EMPUJAR SIN USAR LOS SOPORTES. 3. SIGUIR LAS INSTRUCCIONES PARA JALAR EL VEHICULO EN OTRAS MANUALES.</p>	<p>✓</p>
<p>OPTION 2</p> <p>10mm 10mm</p> <p>WARNING WERKVOERVOER/VEHICULO EN MOVIMIENTO 1. EVITE LLENAR Y RECARGAR EL VEHICULO ANTES DE JALAR. 2. NO JALAR NI EMPUJAR SIN USAR LOS SOPORTES. 3. SIGUIR LAS INSTRUCCIONES PARA JALAR EL VEHICULO EN OTRAS MANUALES.</p>	<p>✗</p>



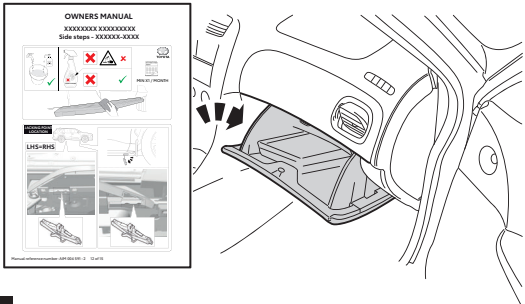
<p>OPTION 1</p> <p>10mm 10mm</p> <p>WARNING WERKVOERVOER/VEHICULO EN MOVIMIENTO 1. EVITE LLENAR Y RECARGAR EL VEHICULO ANTES DE JALAR. 2. NO JALAR NI EMPUJAR SIN USAR LOS SOPORTES. 3. SIGUIR LAS INSTRUCCIONES PARA JALAR EL VEHICULO EN OTRAS MANUALES.</p>	<p>✓</p>
<p>OPTION 2</p> <p>10mm 10mm</p> <p>WARNING WERKVOERVOER/VEHICULO EN MOVIMIENTO 1. EVITE LLENAR Y RECARGAR EL VEHICULO ANTES DE JALAR. 2. NO JALAR NI EMPUJAR SIN USAR LOS SOPORTES. 3. SIGUIR LAS INSTRUCCIONES PARA JALAR EL VEHICULO EN OTRAS MANUALES.</p>	<p>✗</p>



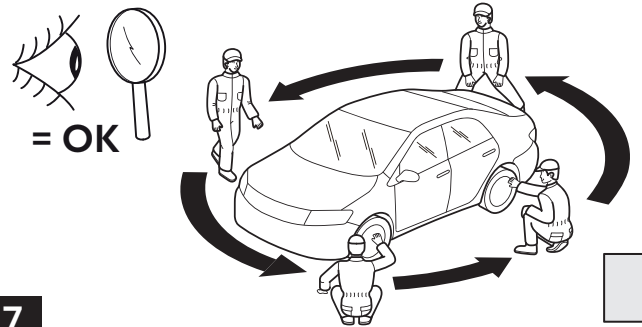
FOR VEHICLES WITHOUT SPARE WHEEL & WITHOUT TOWING WARNING STICKER LOCATION



5



6



7

Installation Date:

.. / .. / ..

Technician Name & Signature:

Stamp: