



**TOYOTA**

ALWAYS A  
**BETTER WAY**

# Toyota C-HR

Car cover

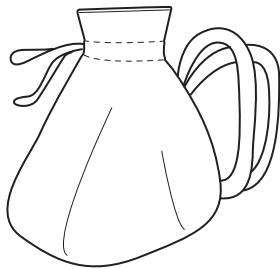
Installation Instructions

Model year: 2016/10  
Vehicle code: All  
Part number: PW372-10000

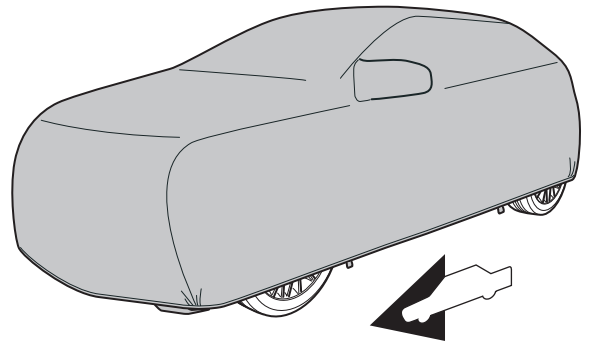
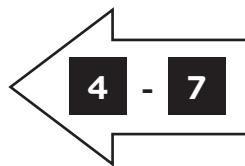
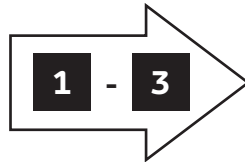
Manual reference number: AIM 003 801-0

# Revision record

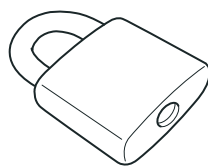
Rev. No.	Date	Page	Picture	Update	New	Deleted steps

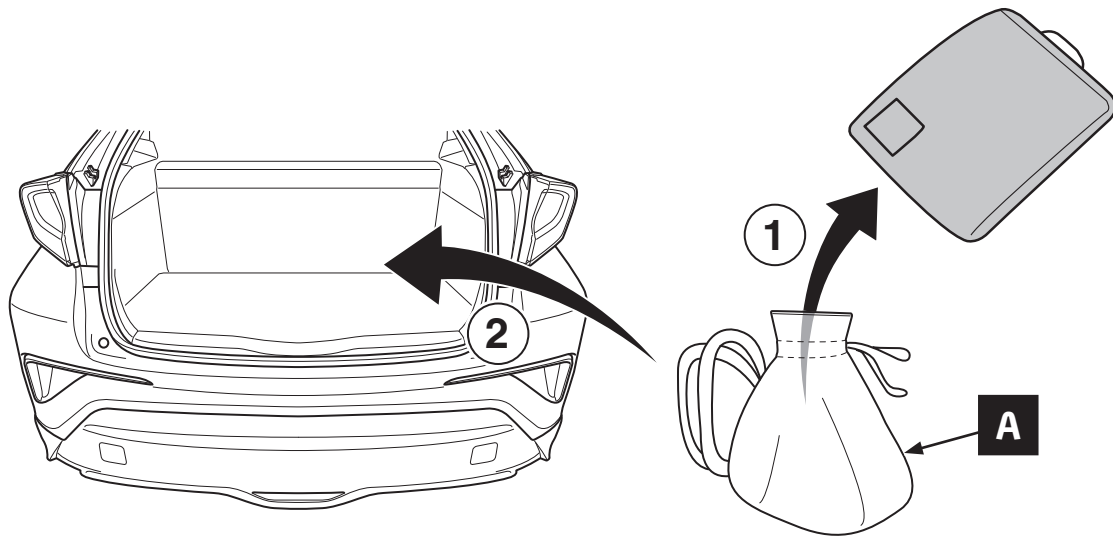


PW372-10000

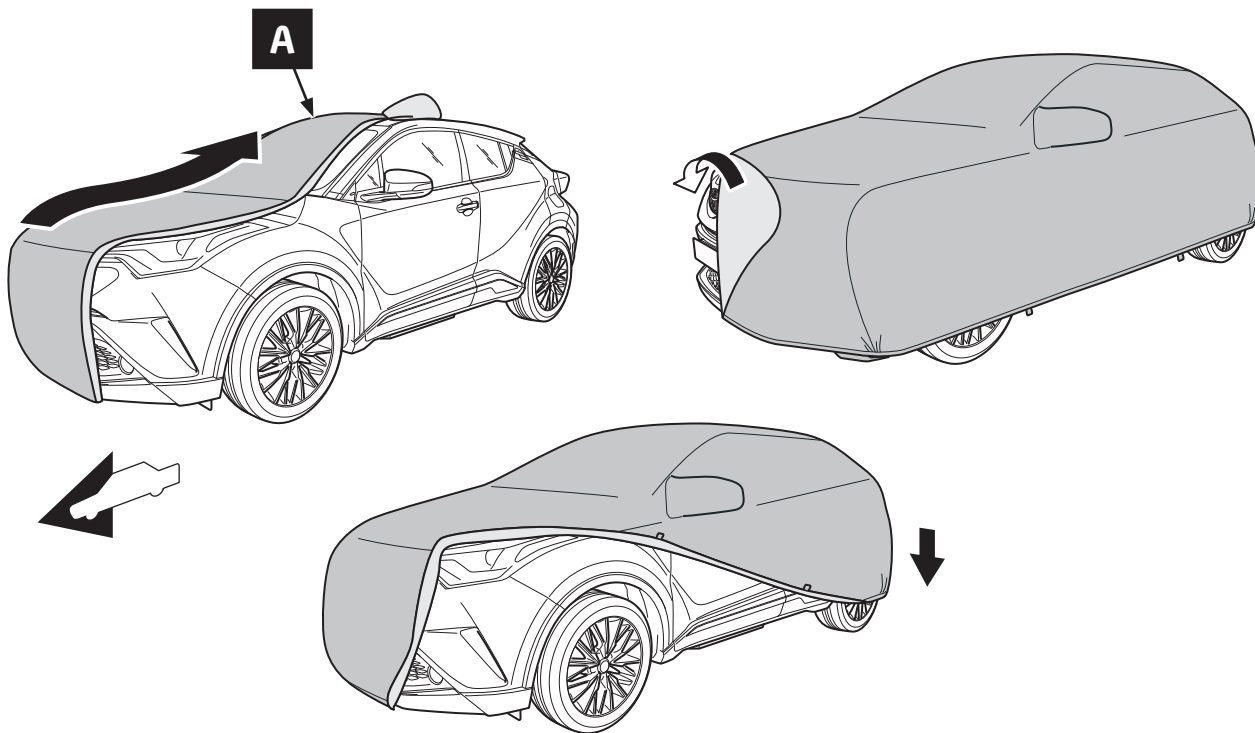


**A**

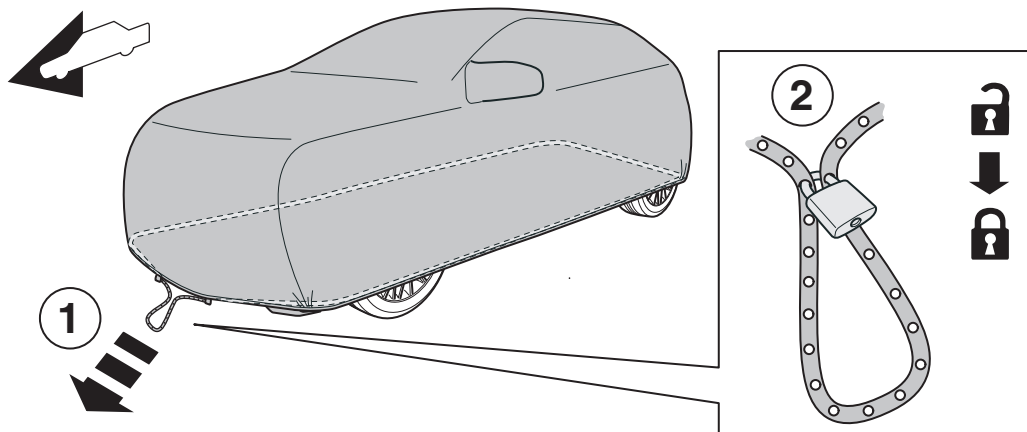




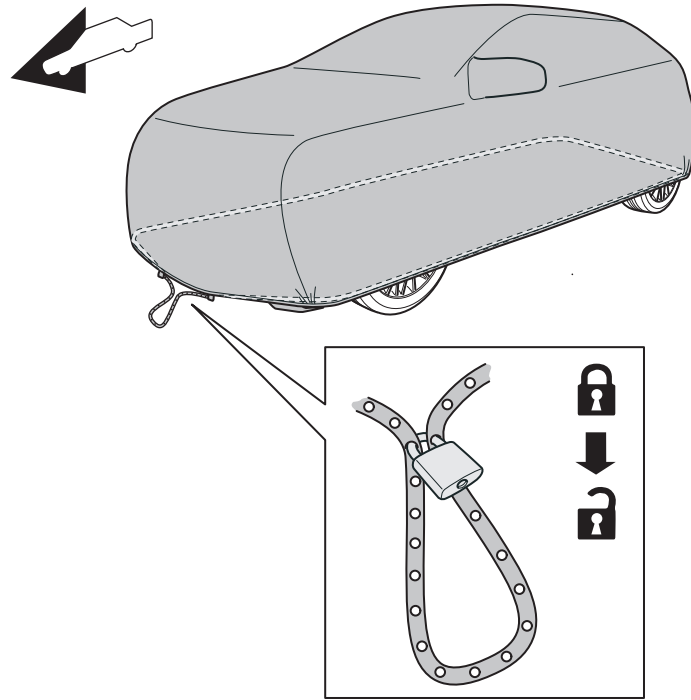
1



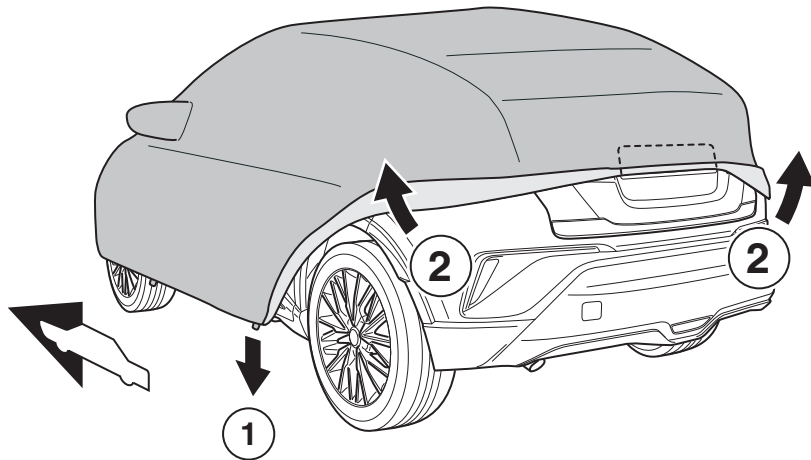
2



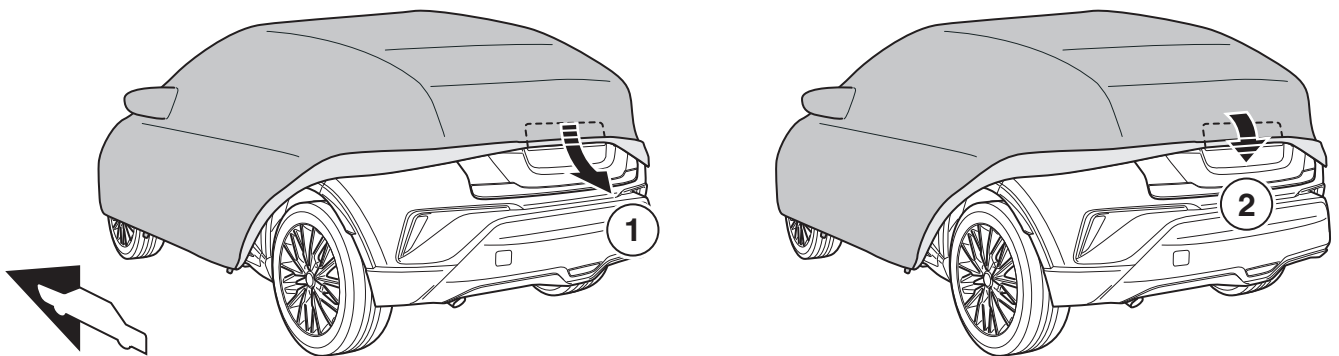
3



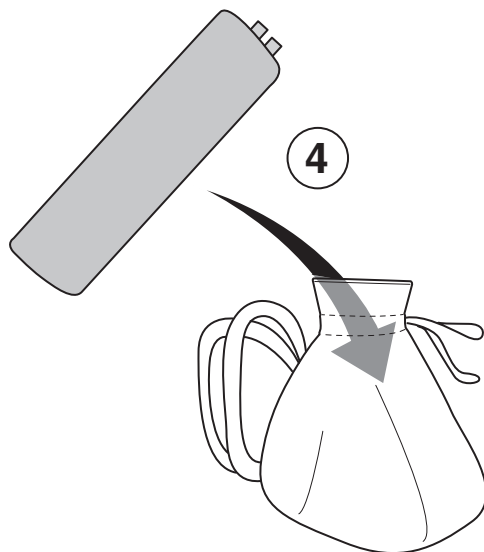
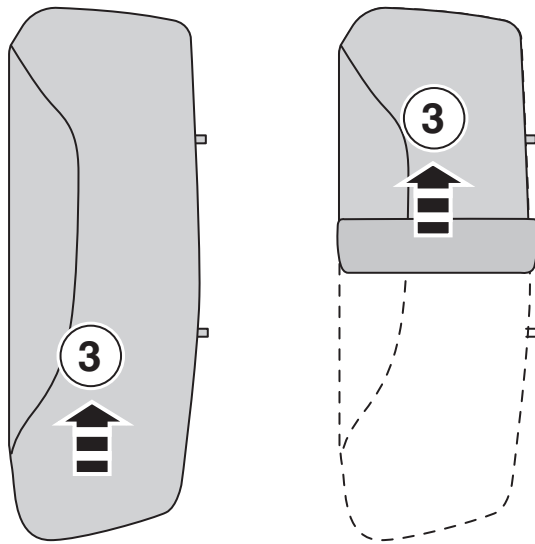
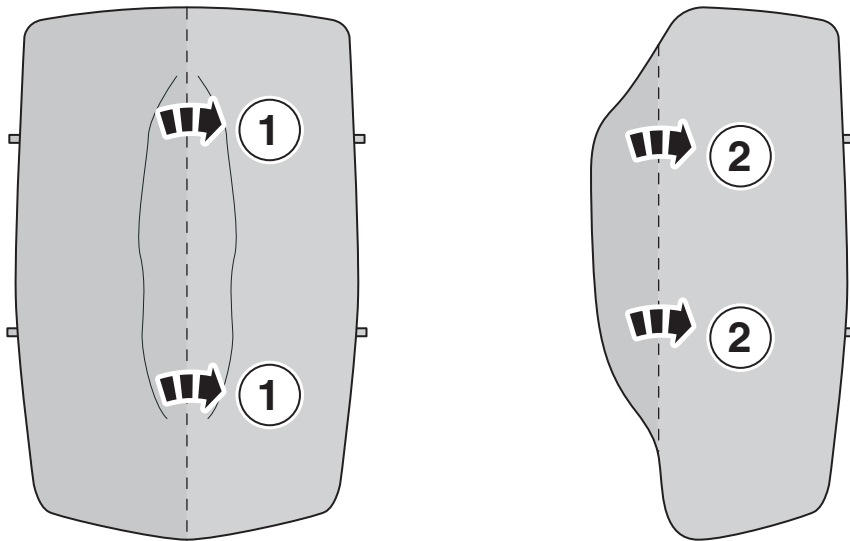
4

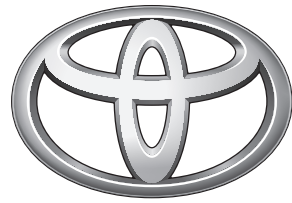


5



6





**TOYOTA**

# CHECK SHEET



**TOYOTA**

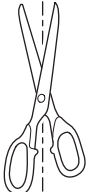
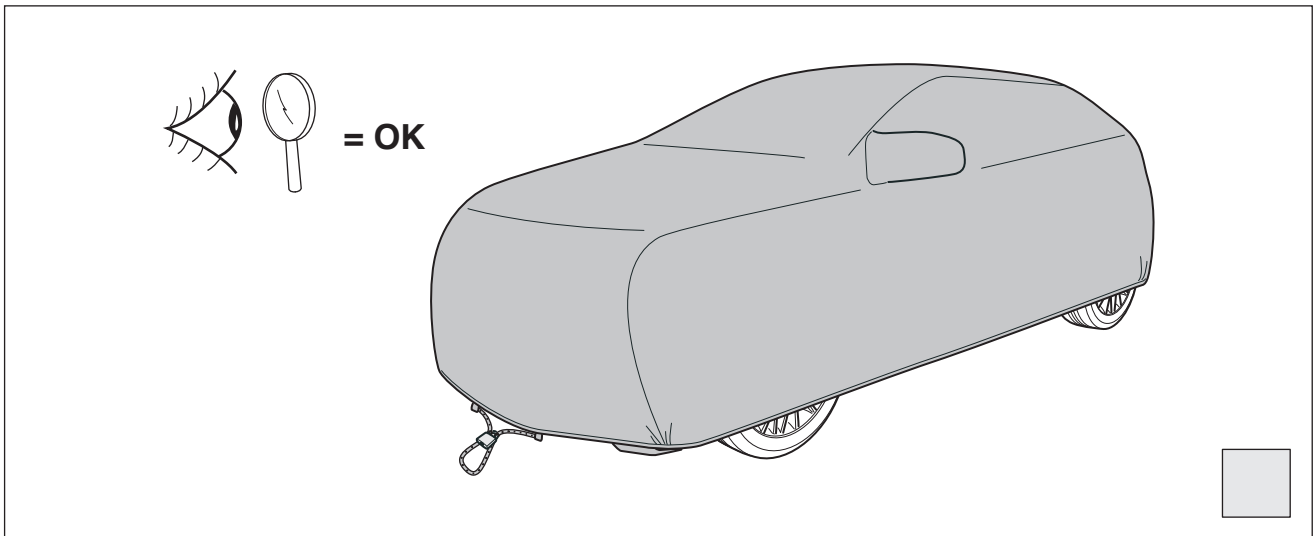
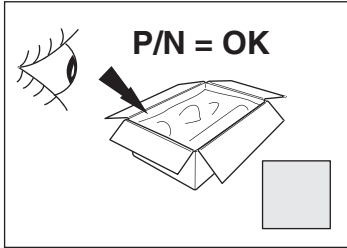
ALWAYS A  
BETTER WAY

Model / Year

Toyota C-HR 2016/10

Car cover

VIN n°



Installation Date:

. . / . . / . . . .

Technician Name & Signature:

Stamp:

