



TOYOTA

ALWAYS A
BETTER WAY

Toyota C-HR

Rear Bumper Protection Plate

Installation Instructions

Model year: 2016/10
Vehicle code: **X*0*-AH***W
Part number: PW178-107001

Manual reference number: AIM 003 834-0

Revision record

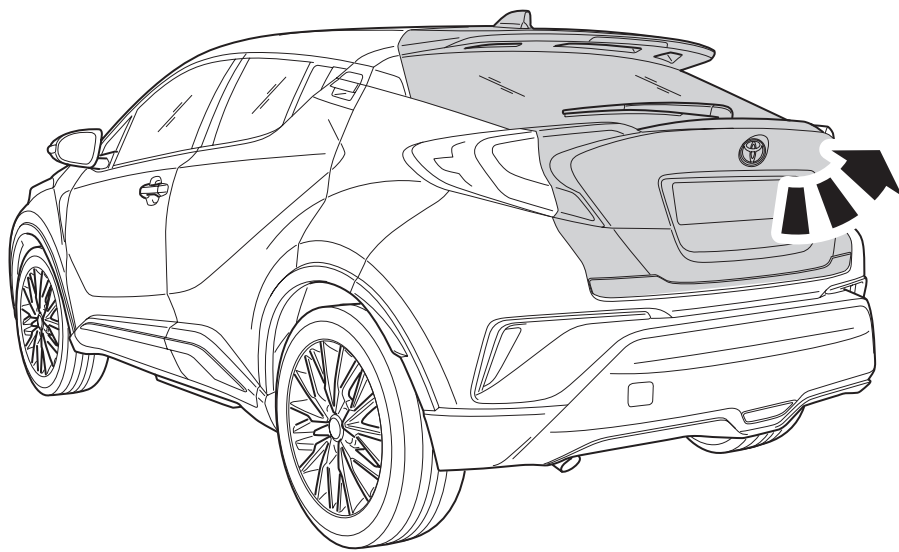
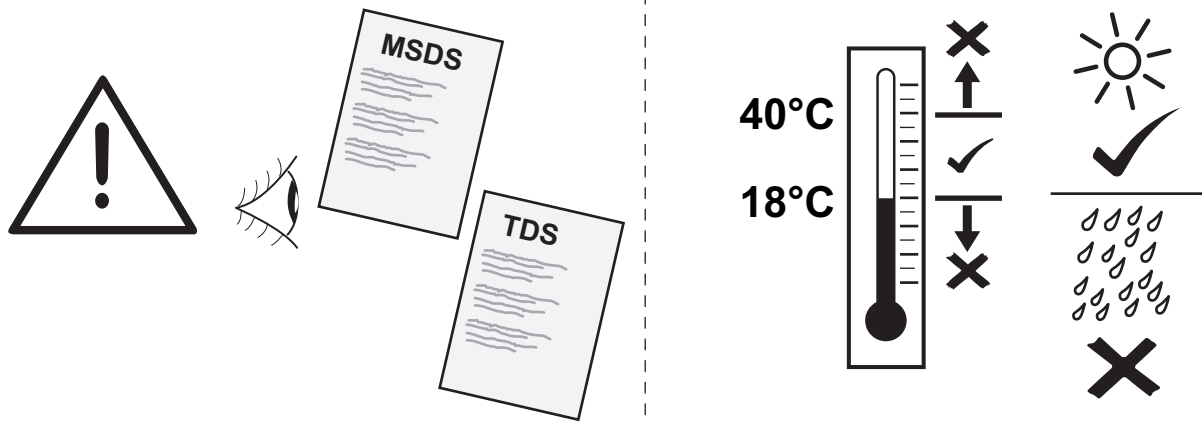
Rev. No.	Date	Page	Picture	Update	New	Deleted steps

PW178-10001 **A**

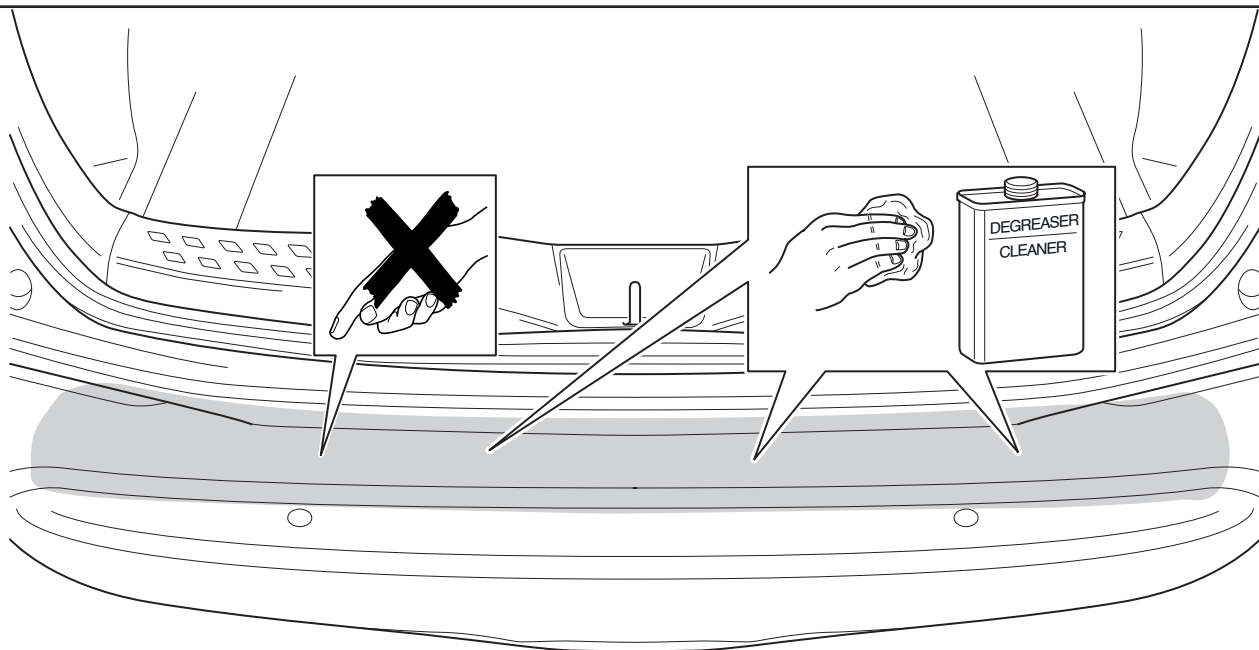
B 1x

adhesion promoter
3M 06396
PZ415-00000-00

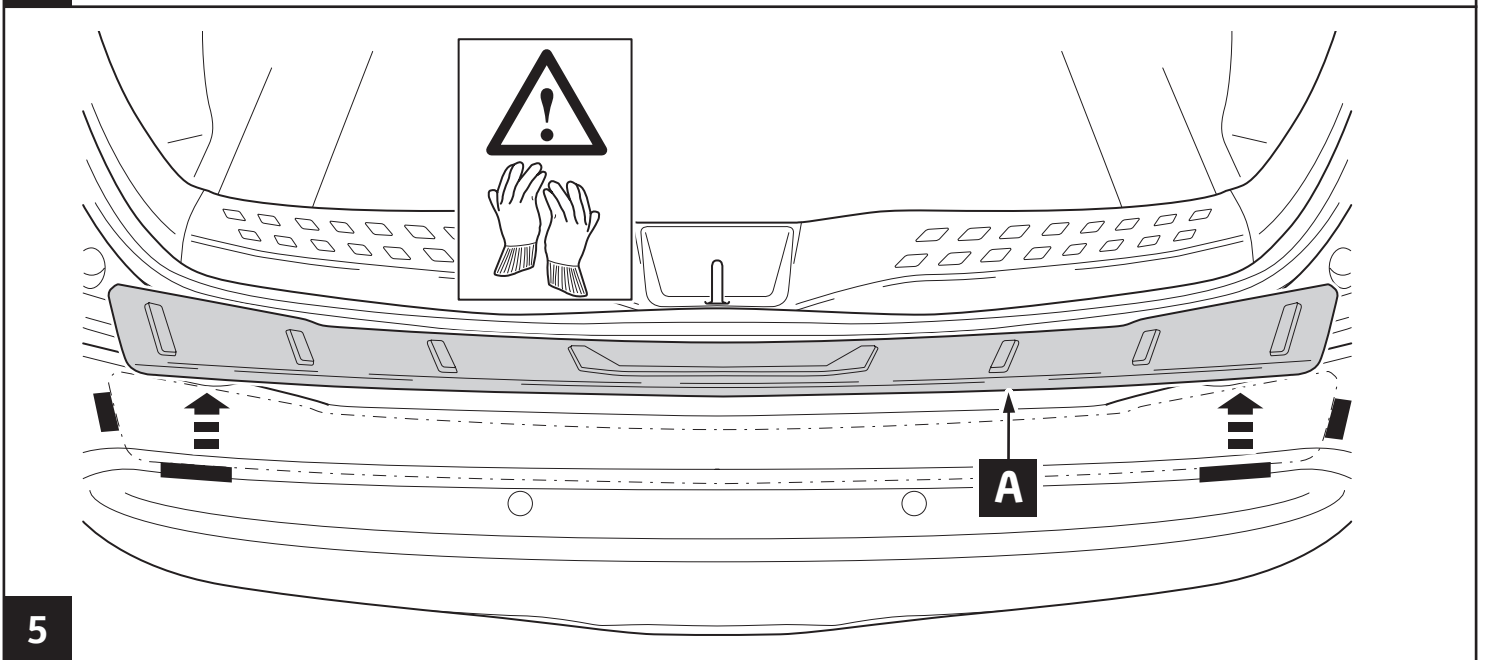
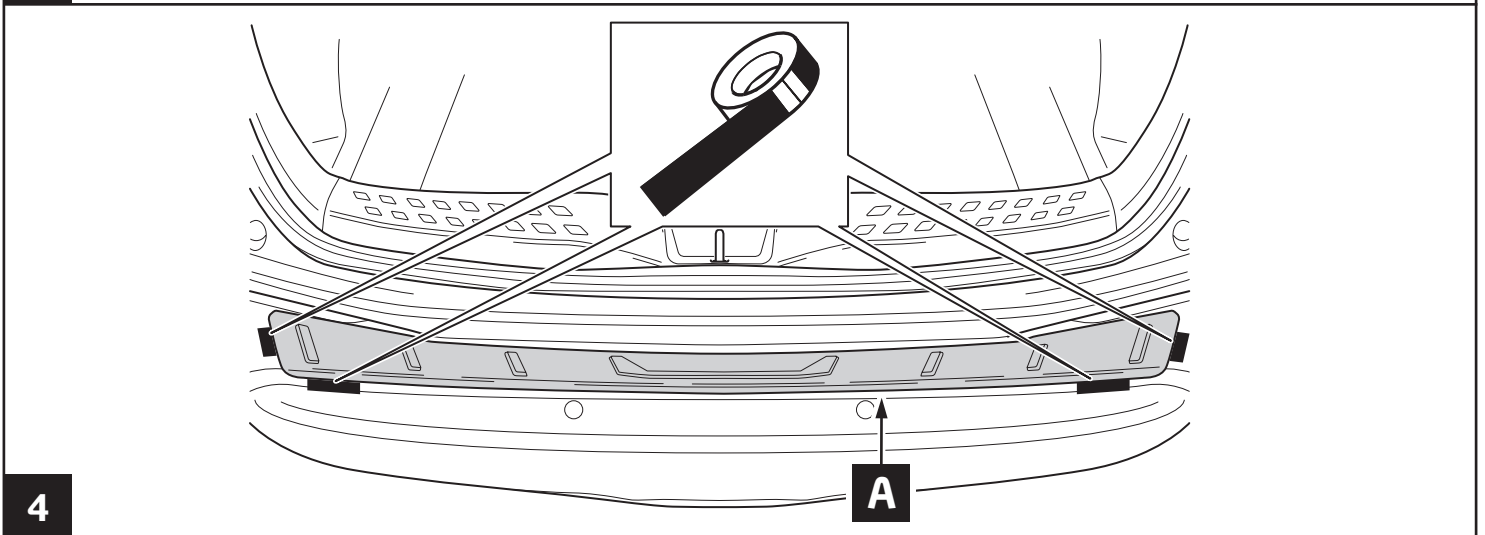
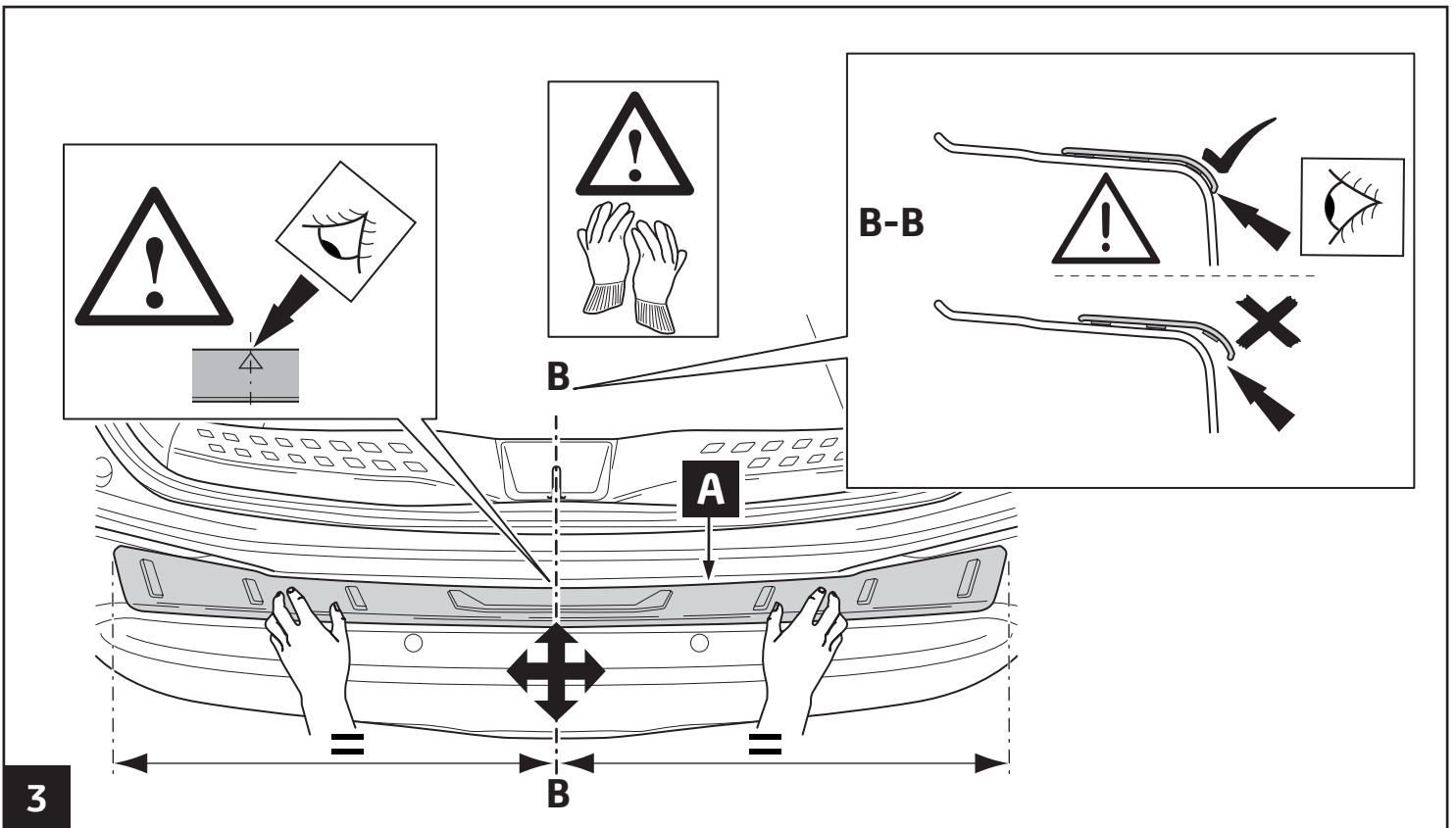
 3M 751	 3M 2010		

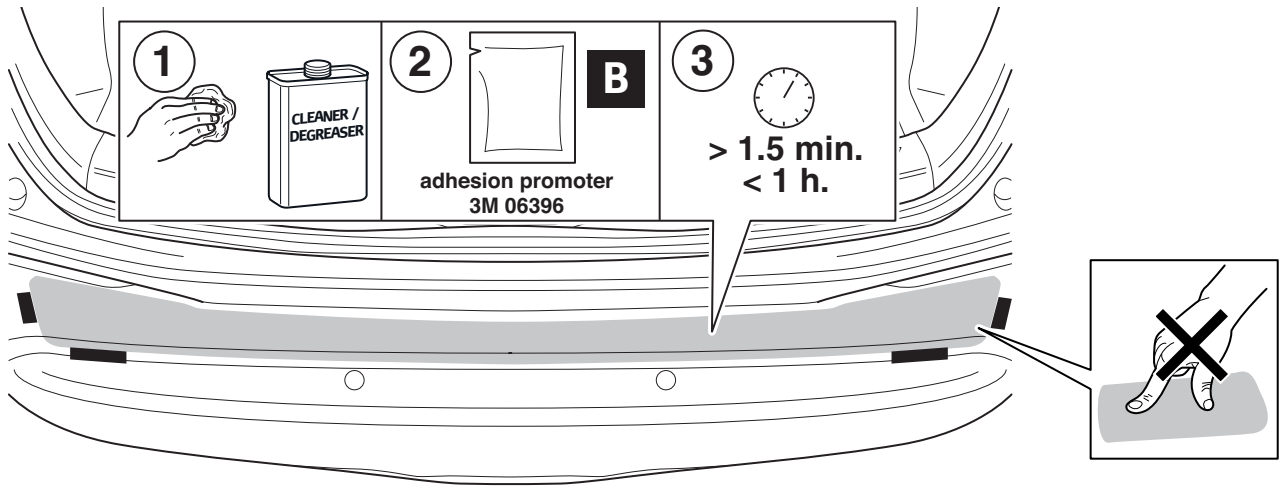


1

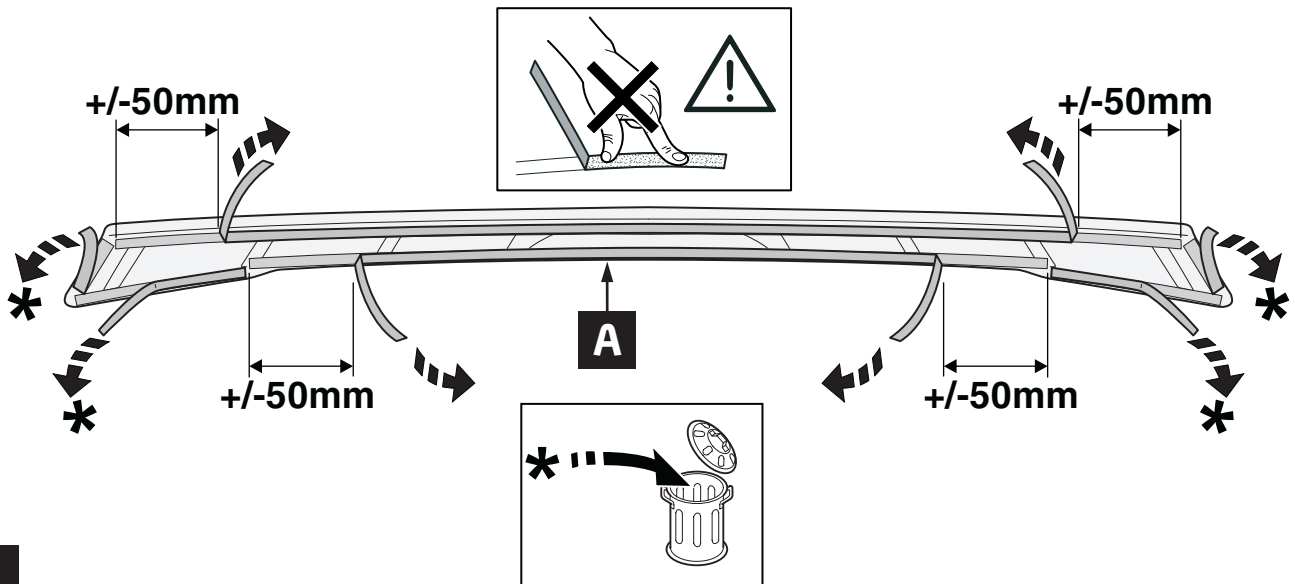


2

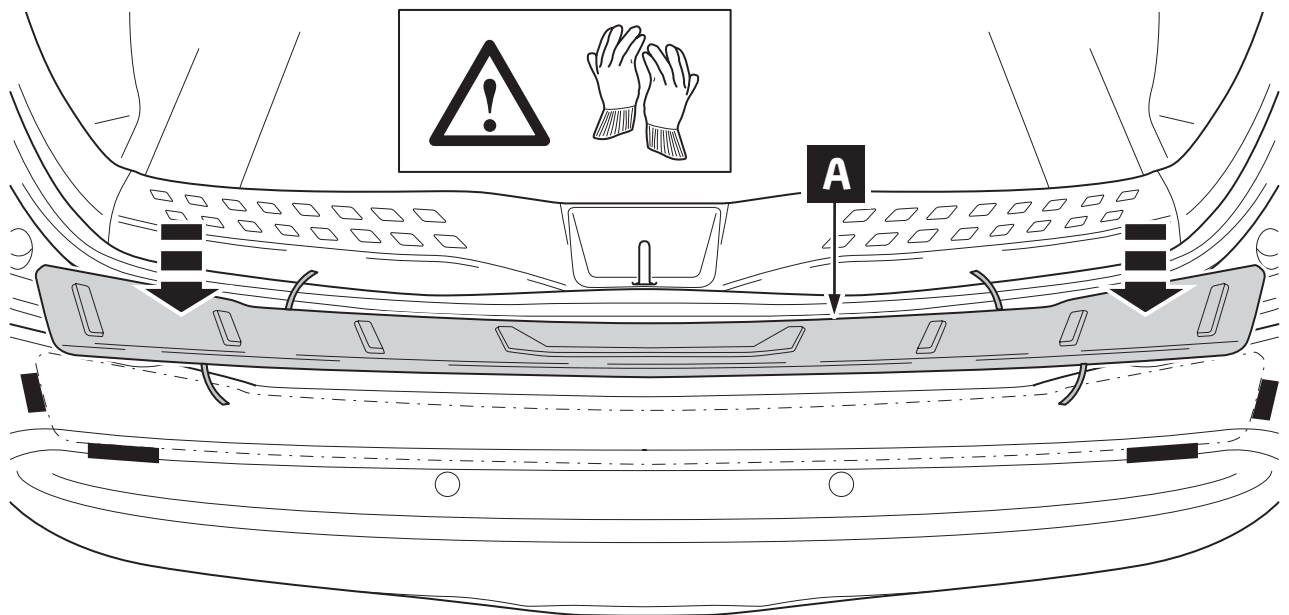




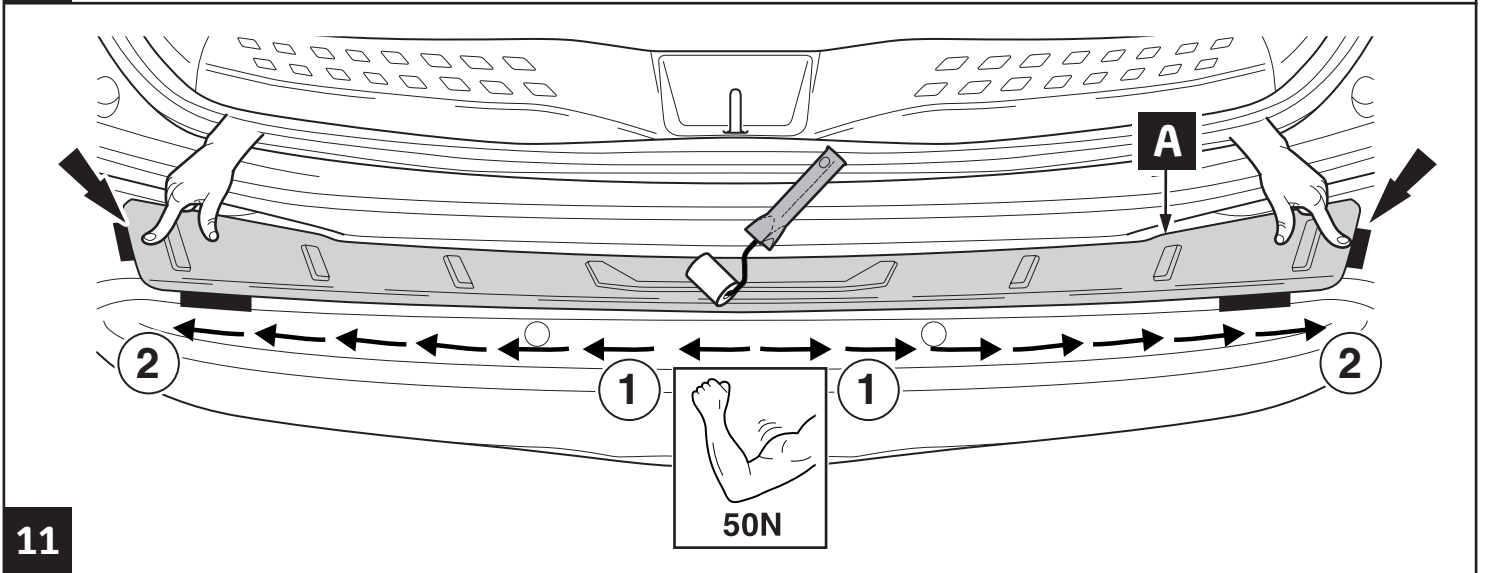
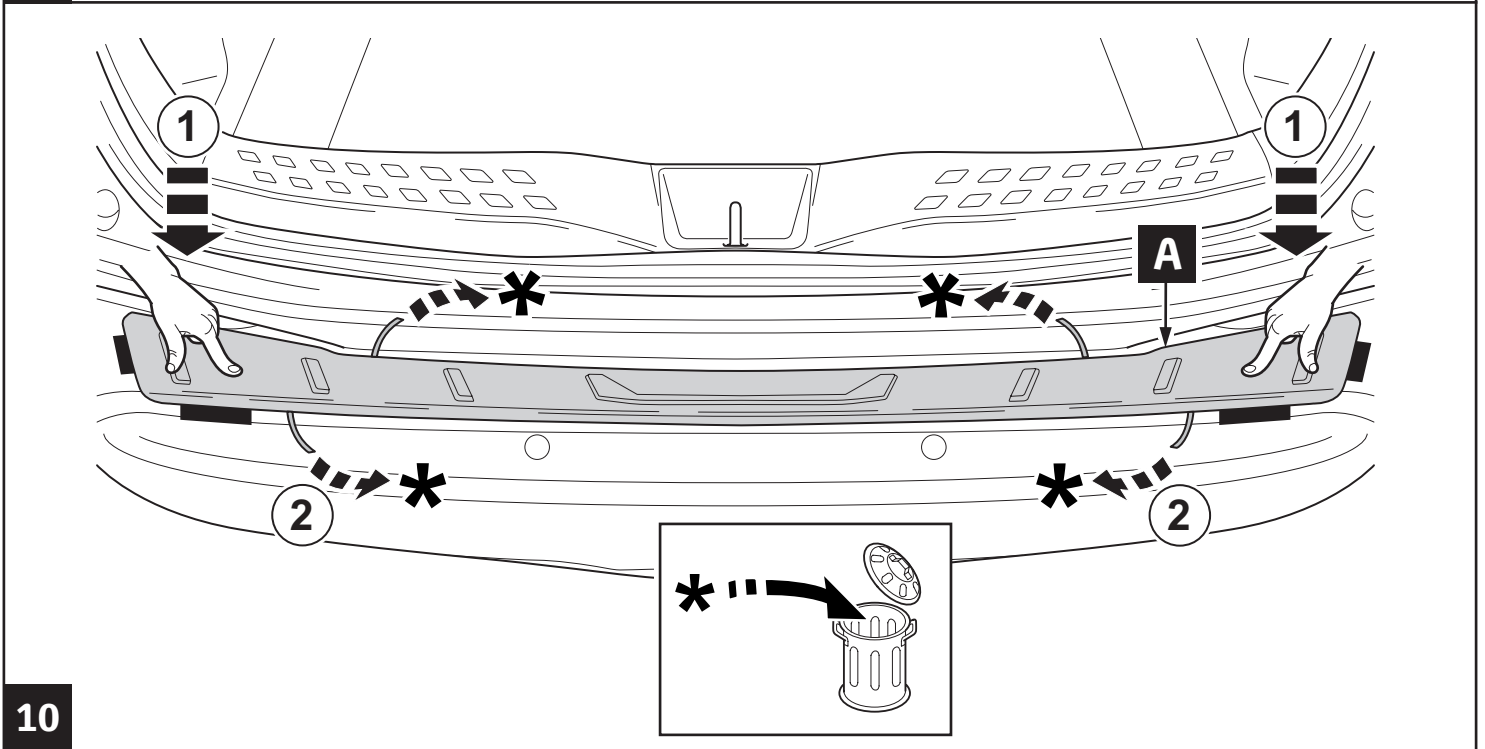
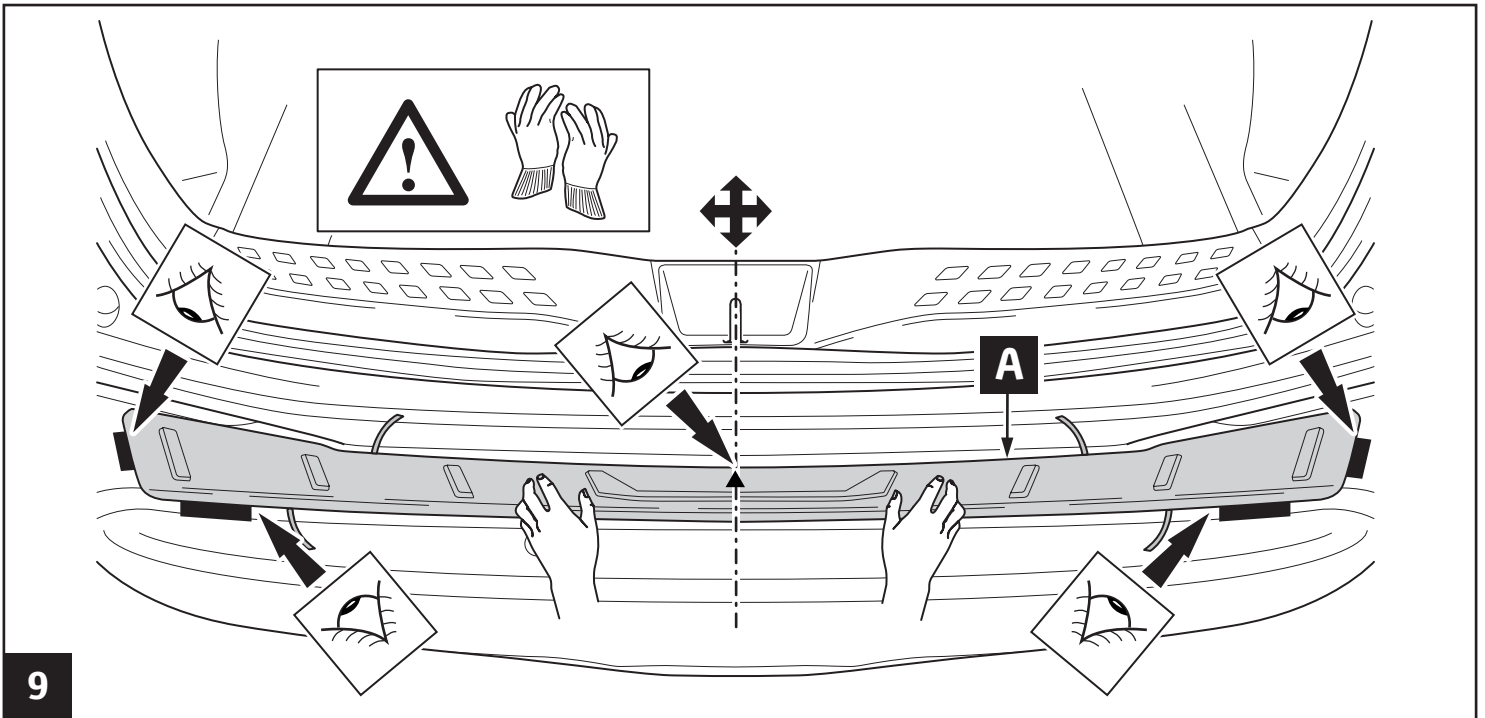
6

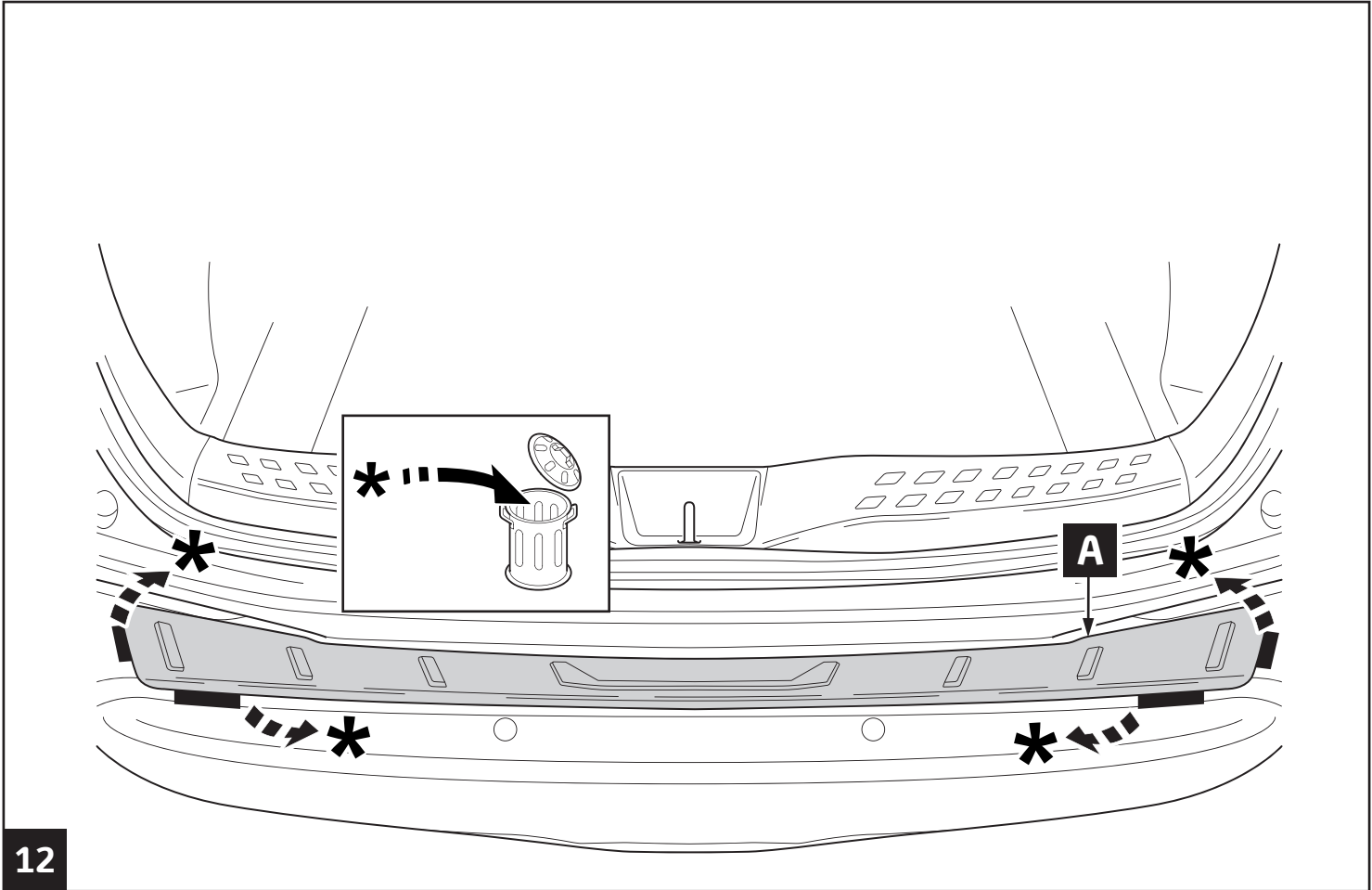


7

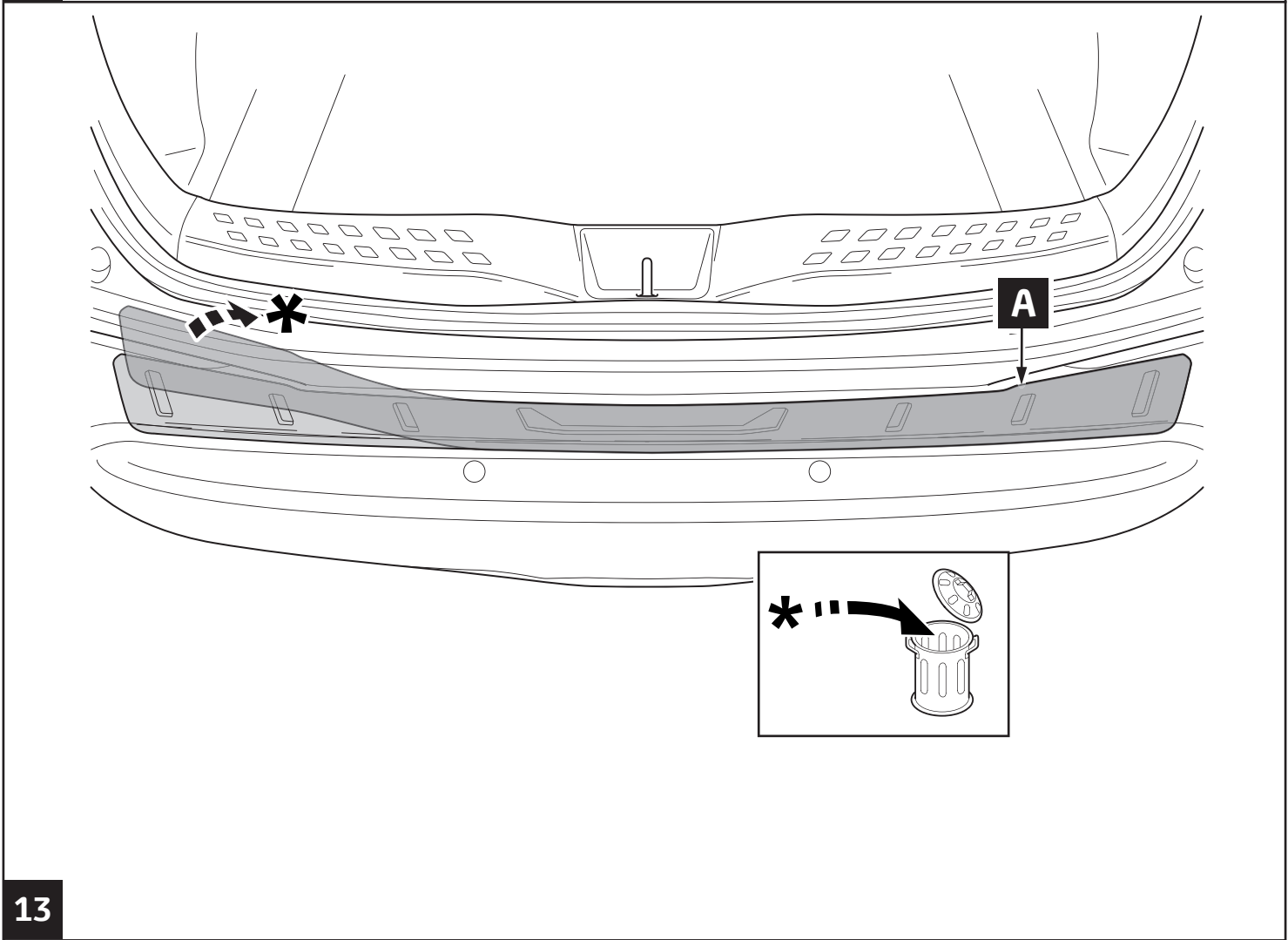


8

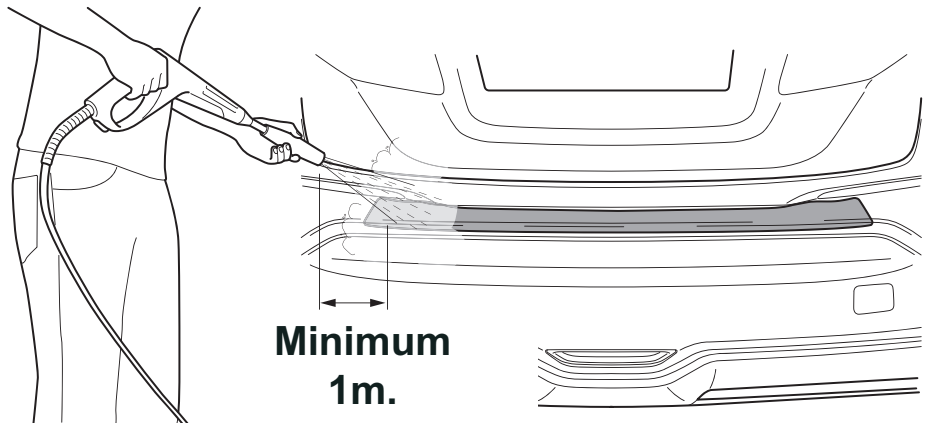
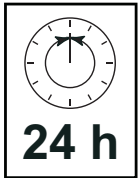
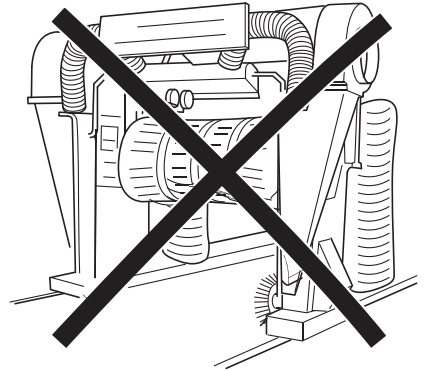
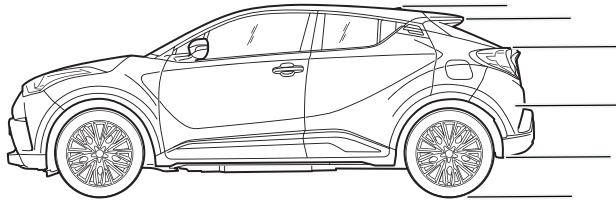
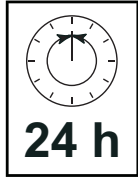
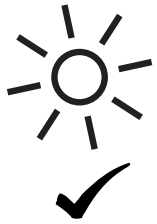




12



13





TOYOTA

CHECK SHEET

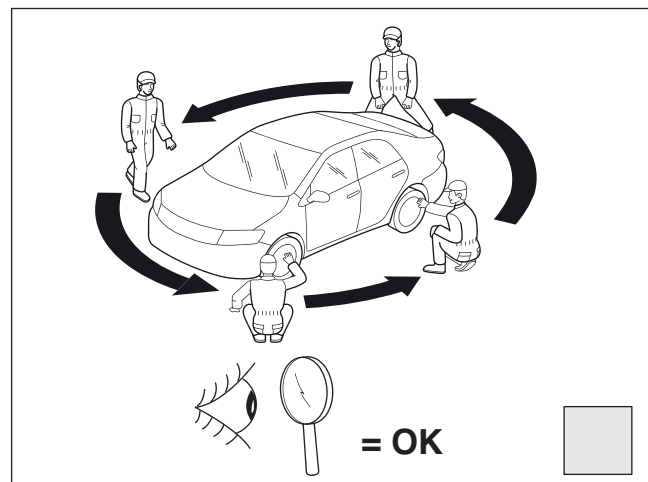
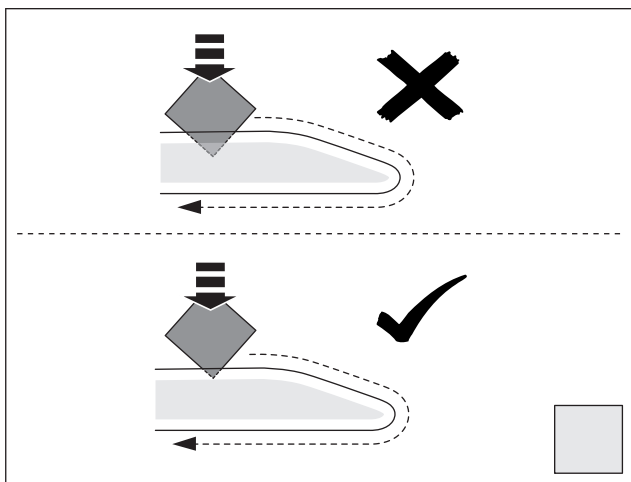
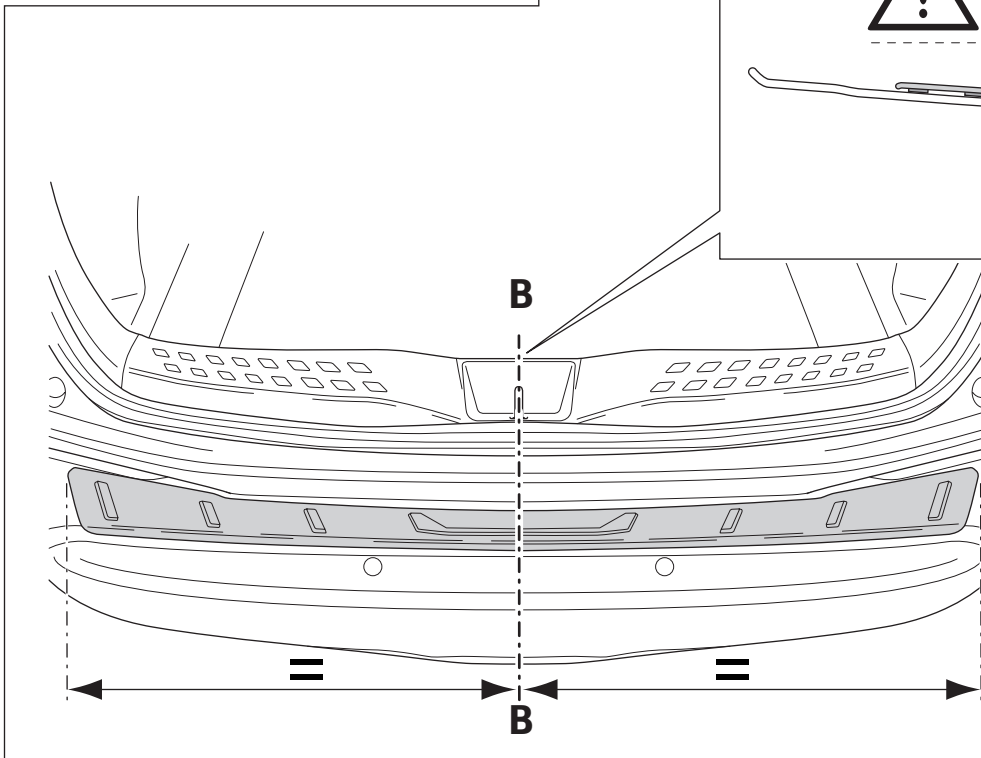
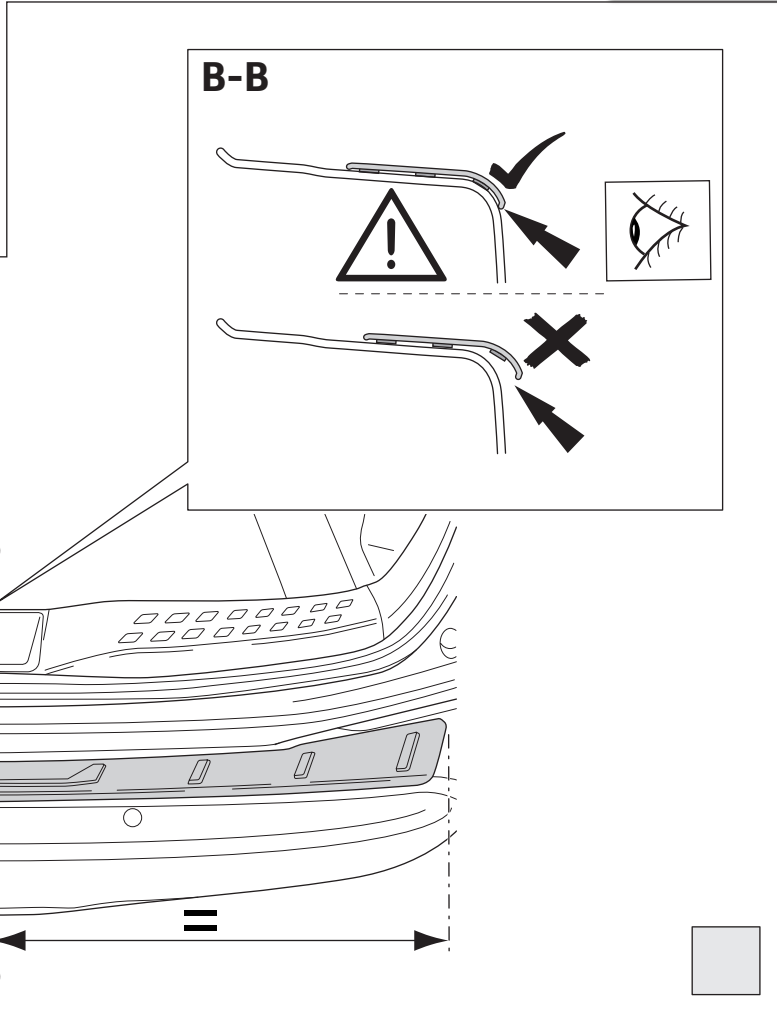
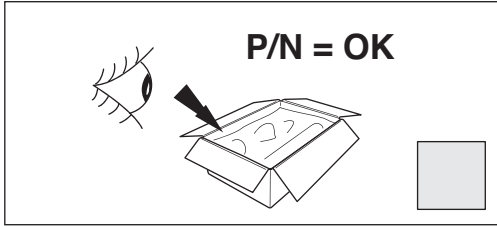
Model / Year

Toyota C-HR
2016/10

Rear Bumper
protection plate

VIN n°

ALWAYS A
BETTER WAY



Installation Date:

. . . / . . . /

Technician Name & Signature:

Stamp: