



TOYOTA

ALWAYS A
BETTER WAY

Toyota C-HR

Exterior styling striping

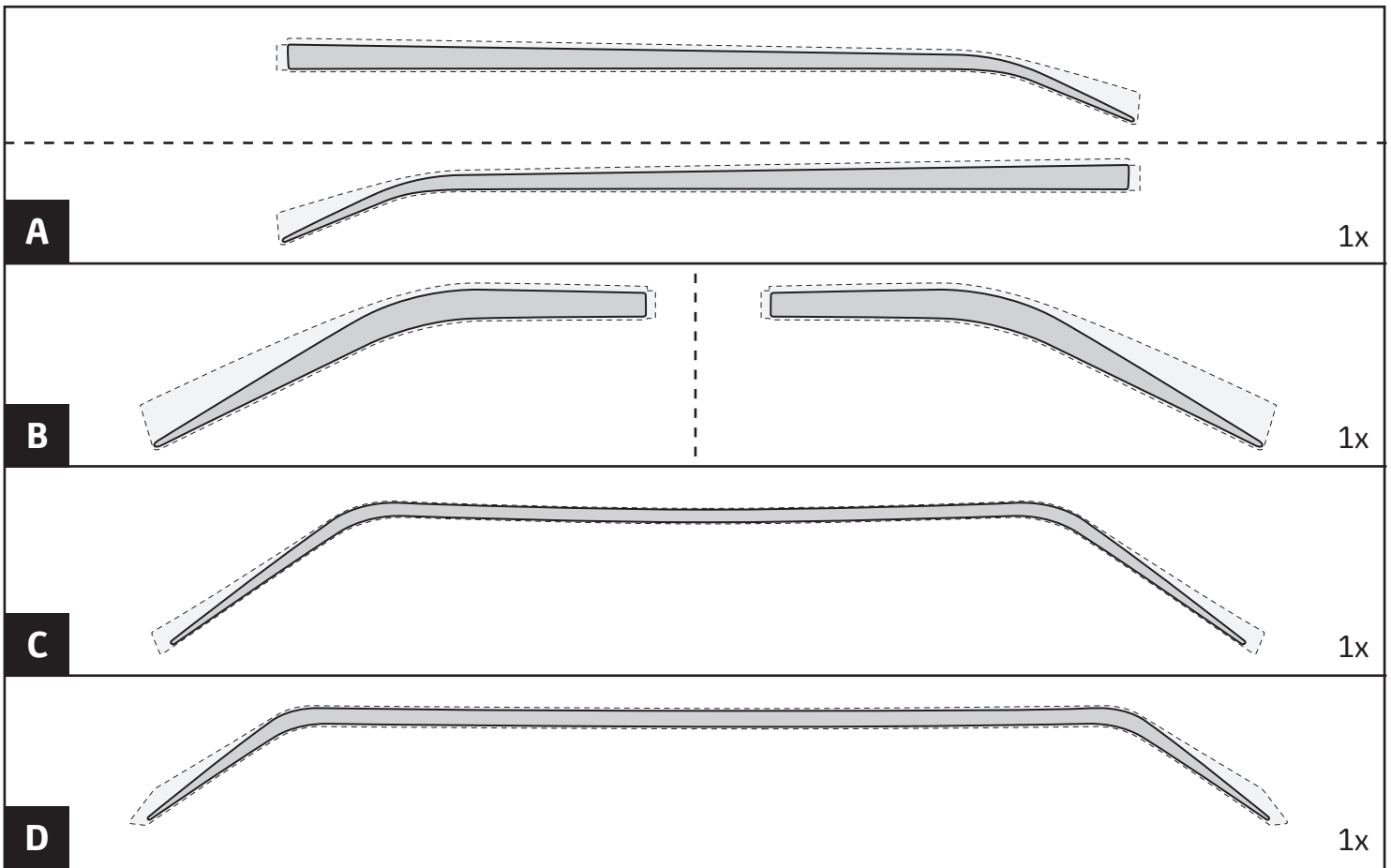
Installation Instructions

Model year:	2016/10
Vehicle code:	NGX*0*-AH**XW ZYX10*-AHX*BW
Part number:	PW18A- 10100-DJ (Red) PW18A- 10100-JC (Blue)

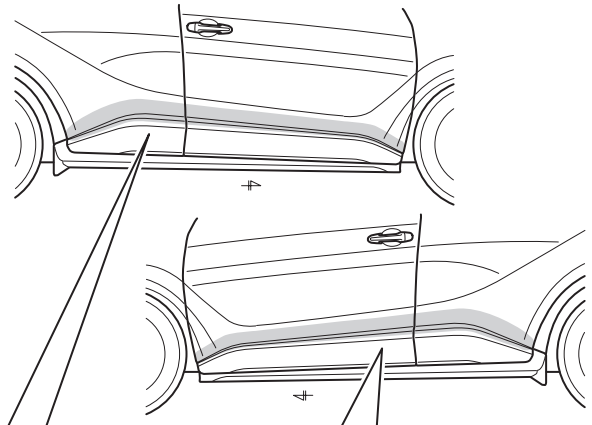
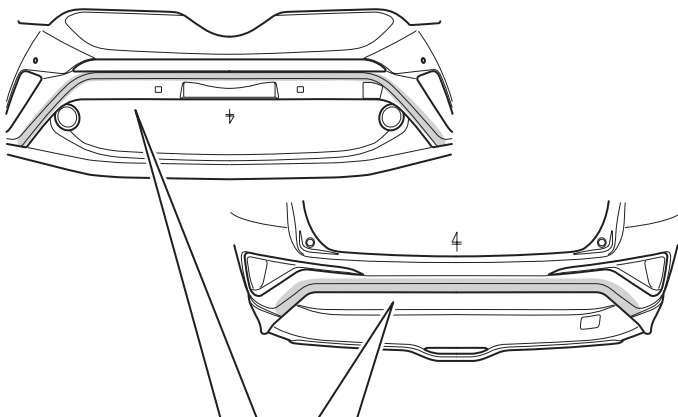
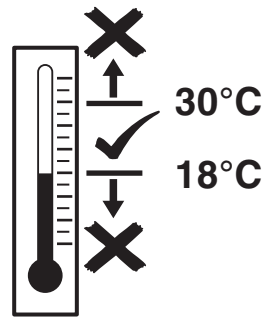
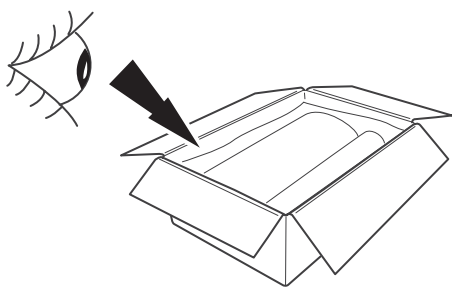
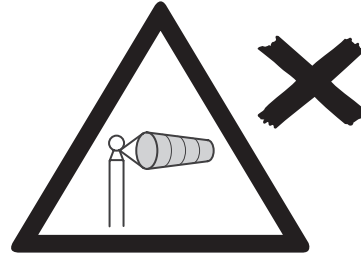
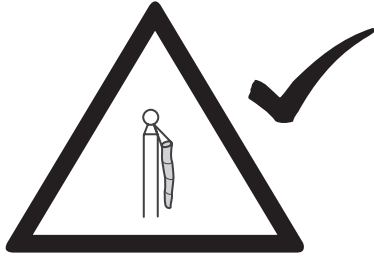
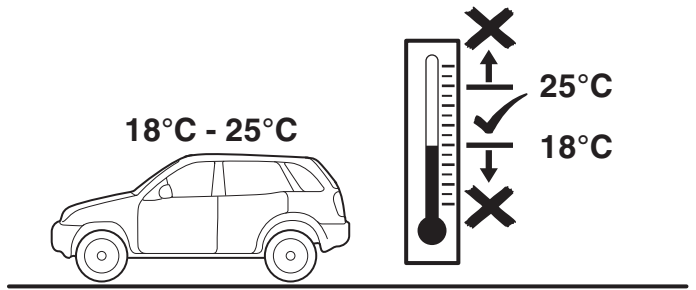
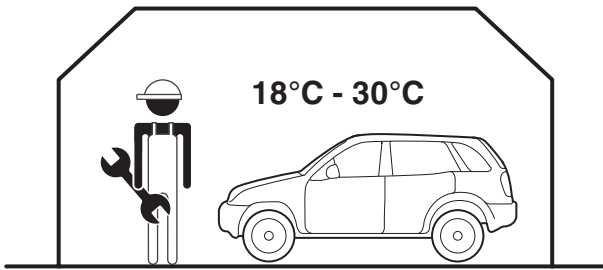
Manual reference number: AIM 003 731-0

Revision record

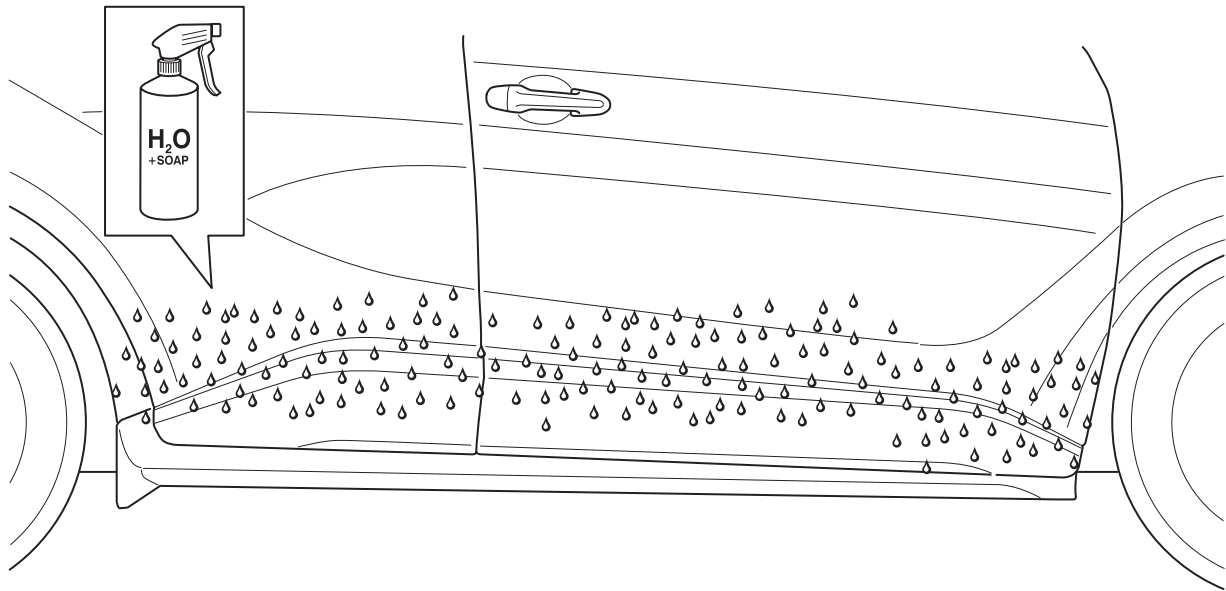
Rev. No.	Date	Page	Picture	Update	New	Deleted steps



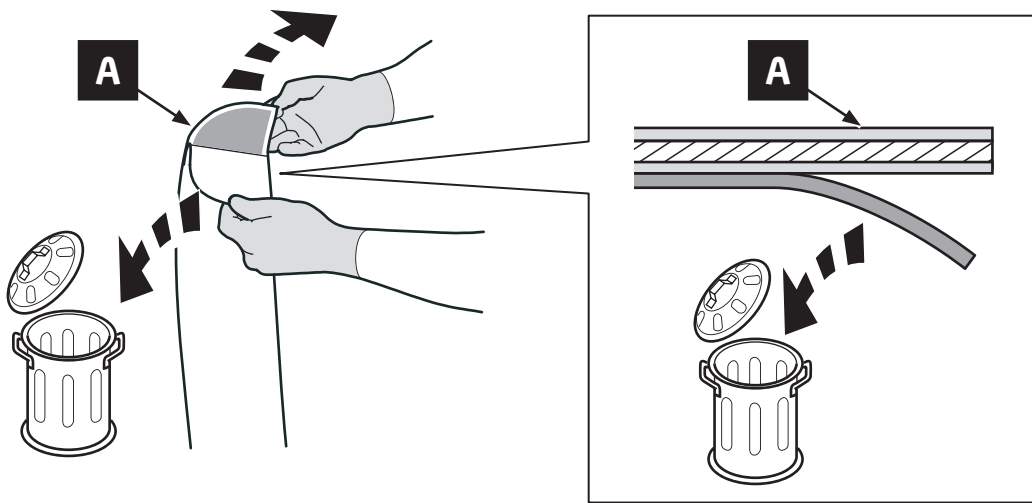
	PZ438-00030-90		Finixa Nitril gloves	
	3M Gold Squeegee + Low Friction Sleeve NOT INCLUDED			



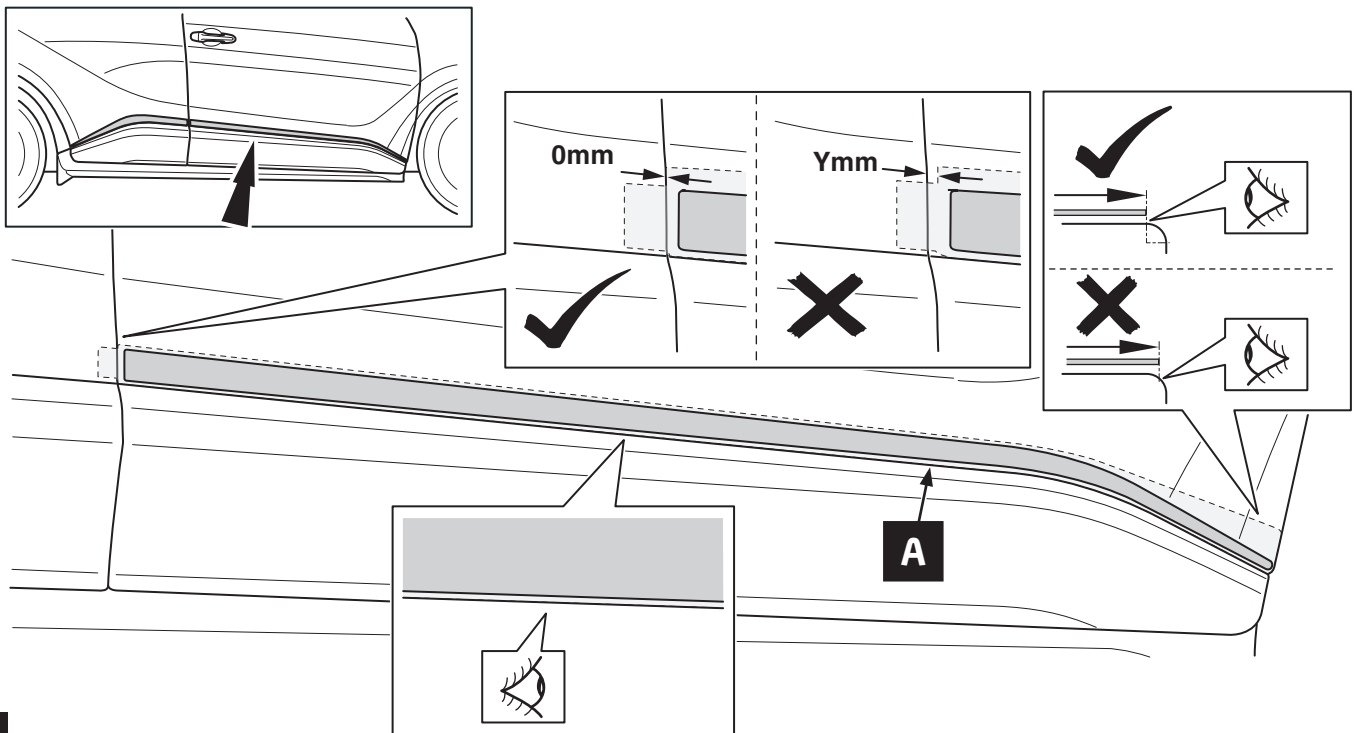
1



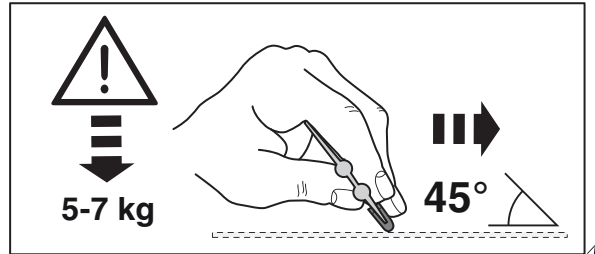
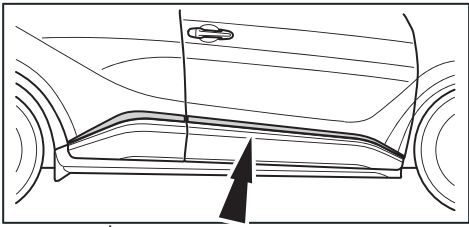
2



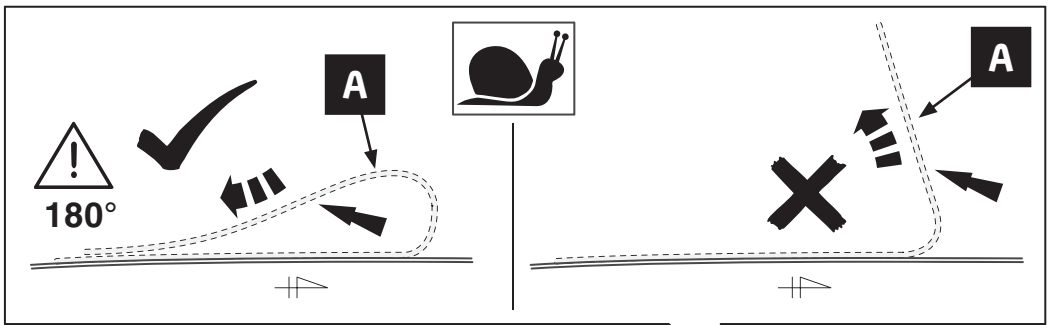
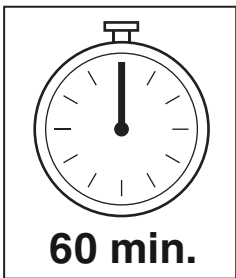
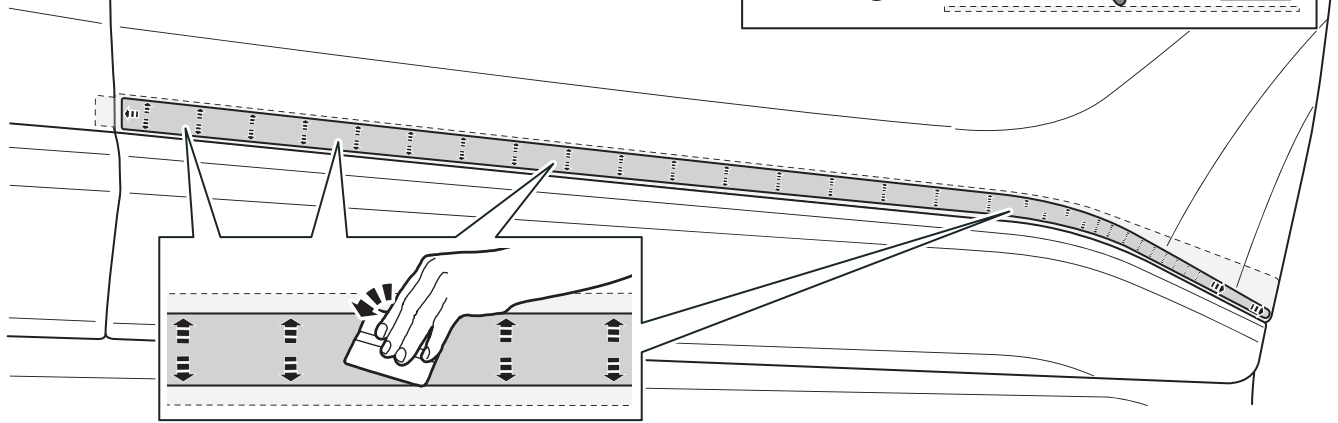
3



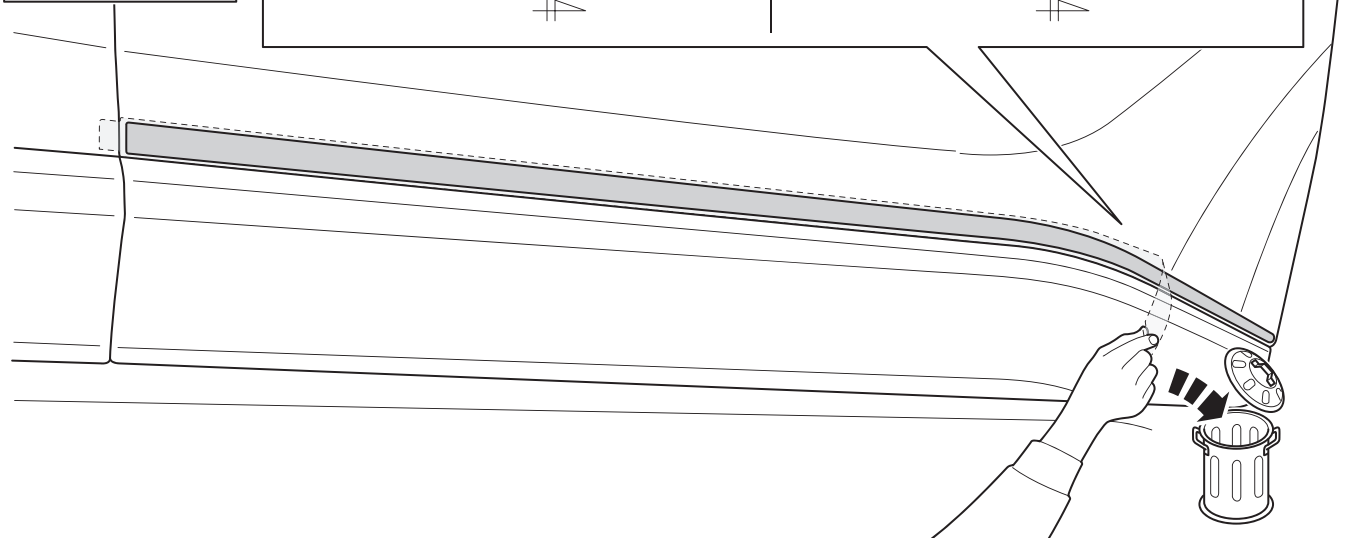
4



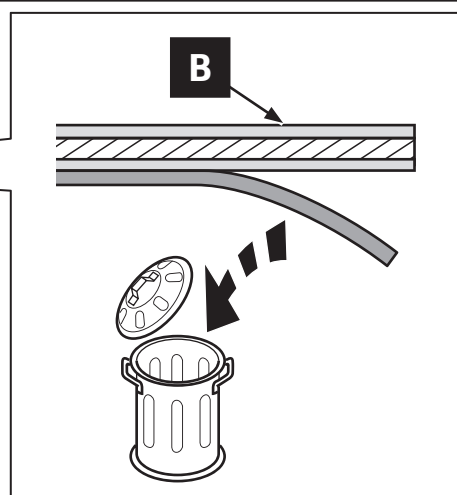
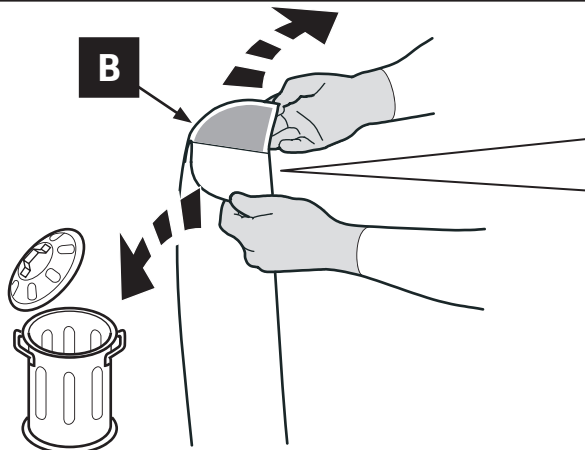
5

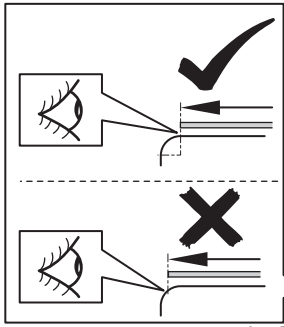
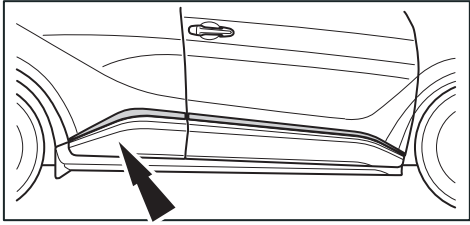


6

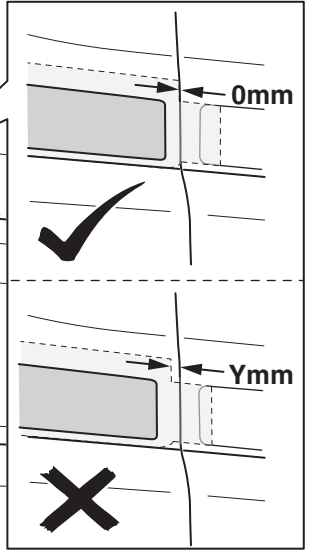
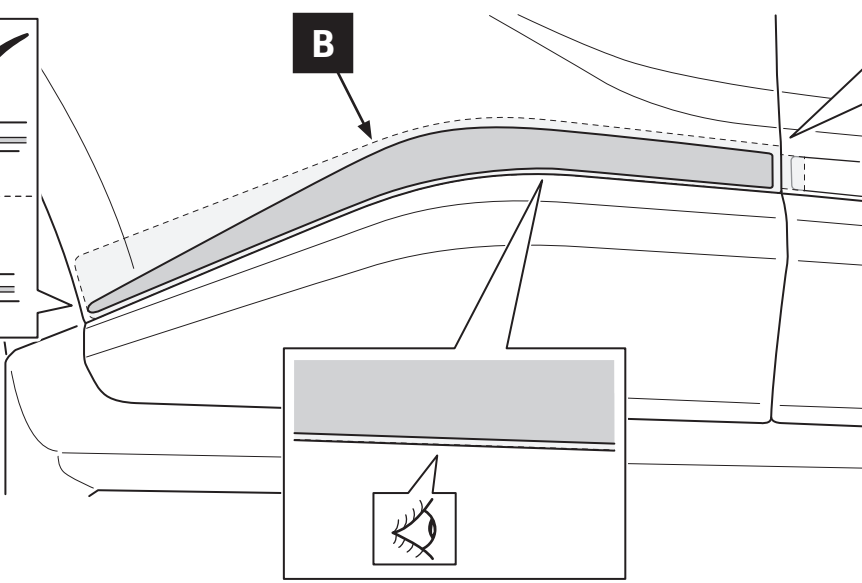


7

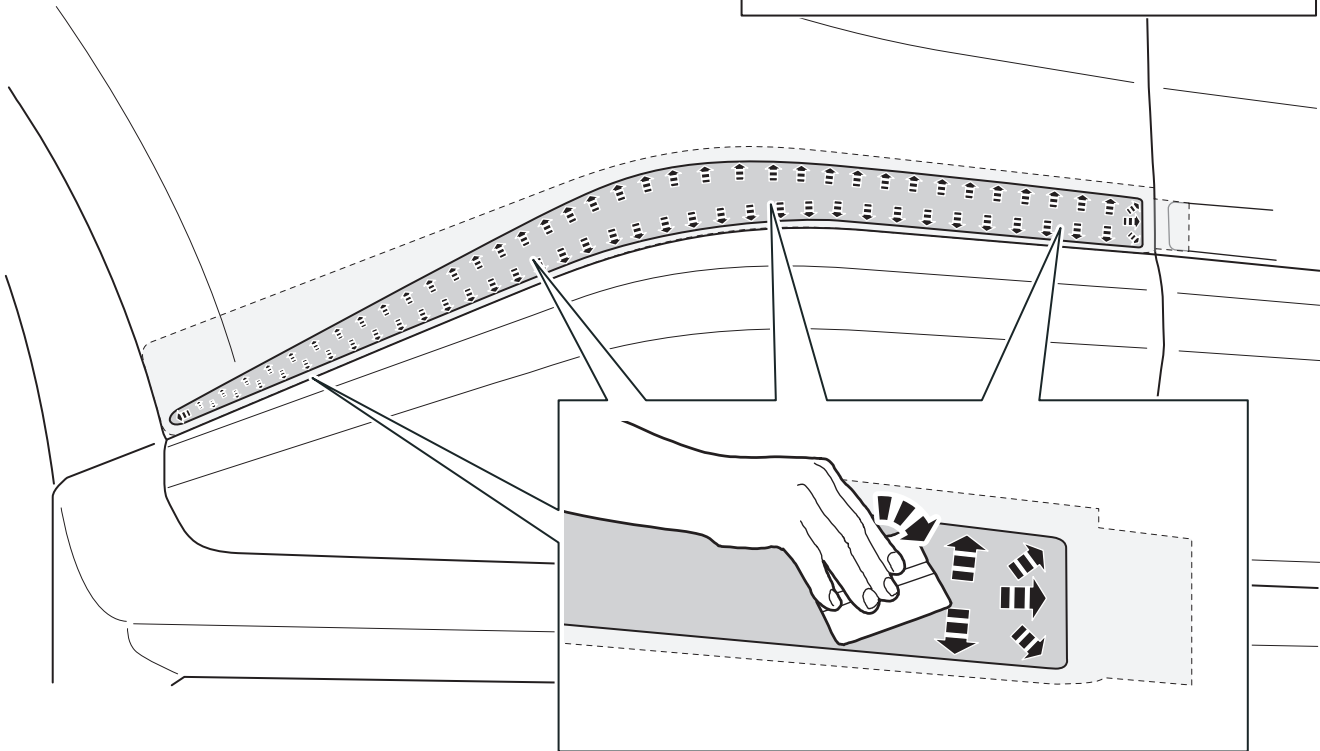
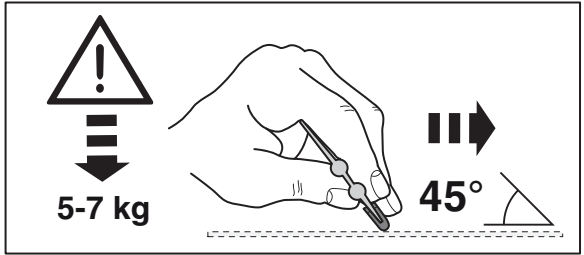
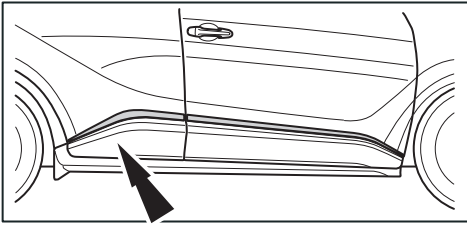




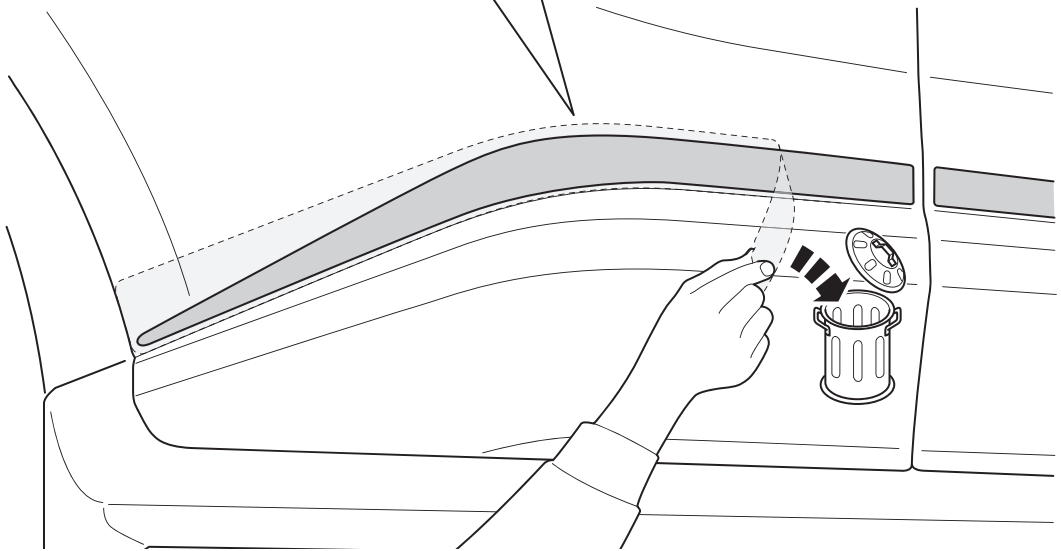
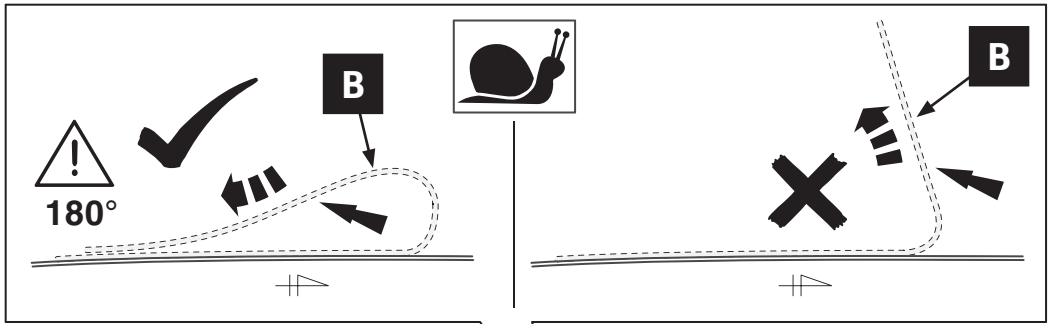
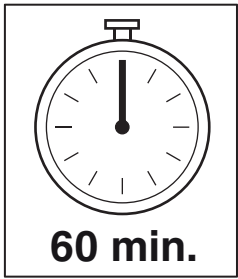
B



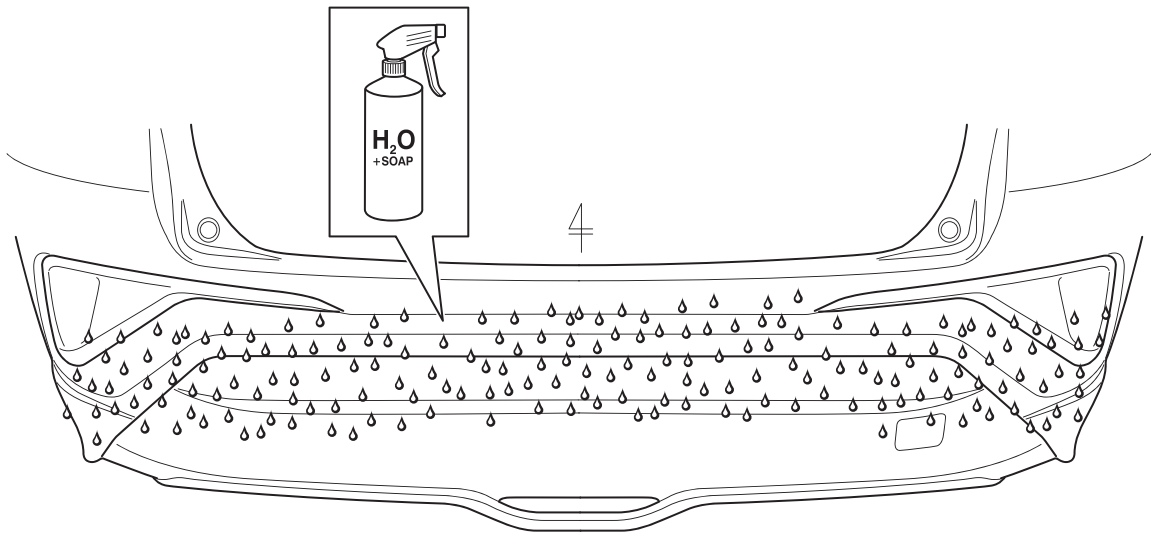
8



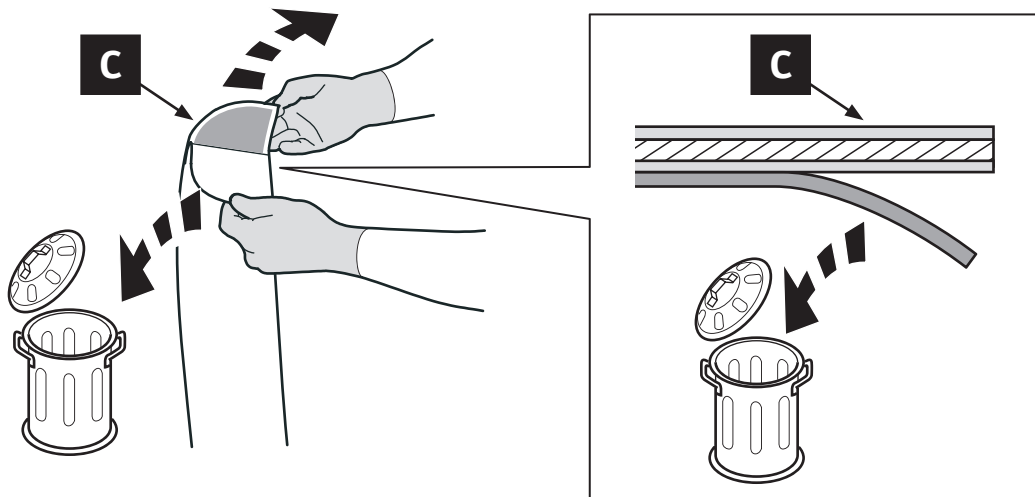
9



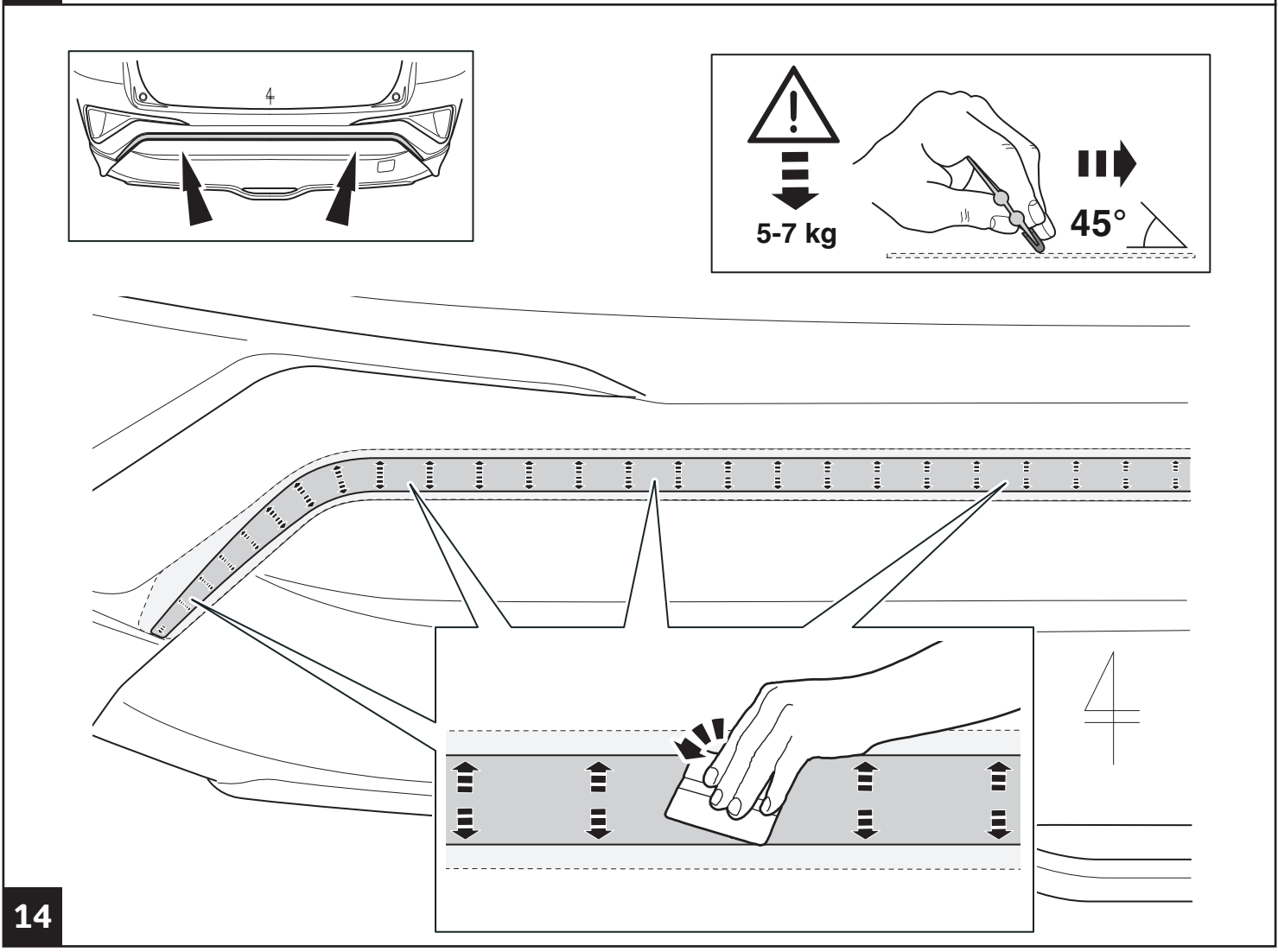
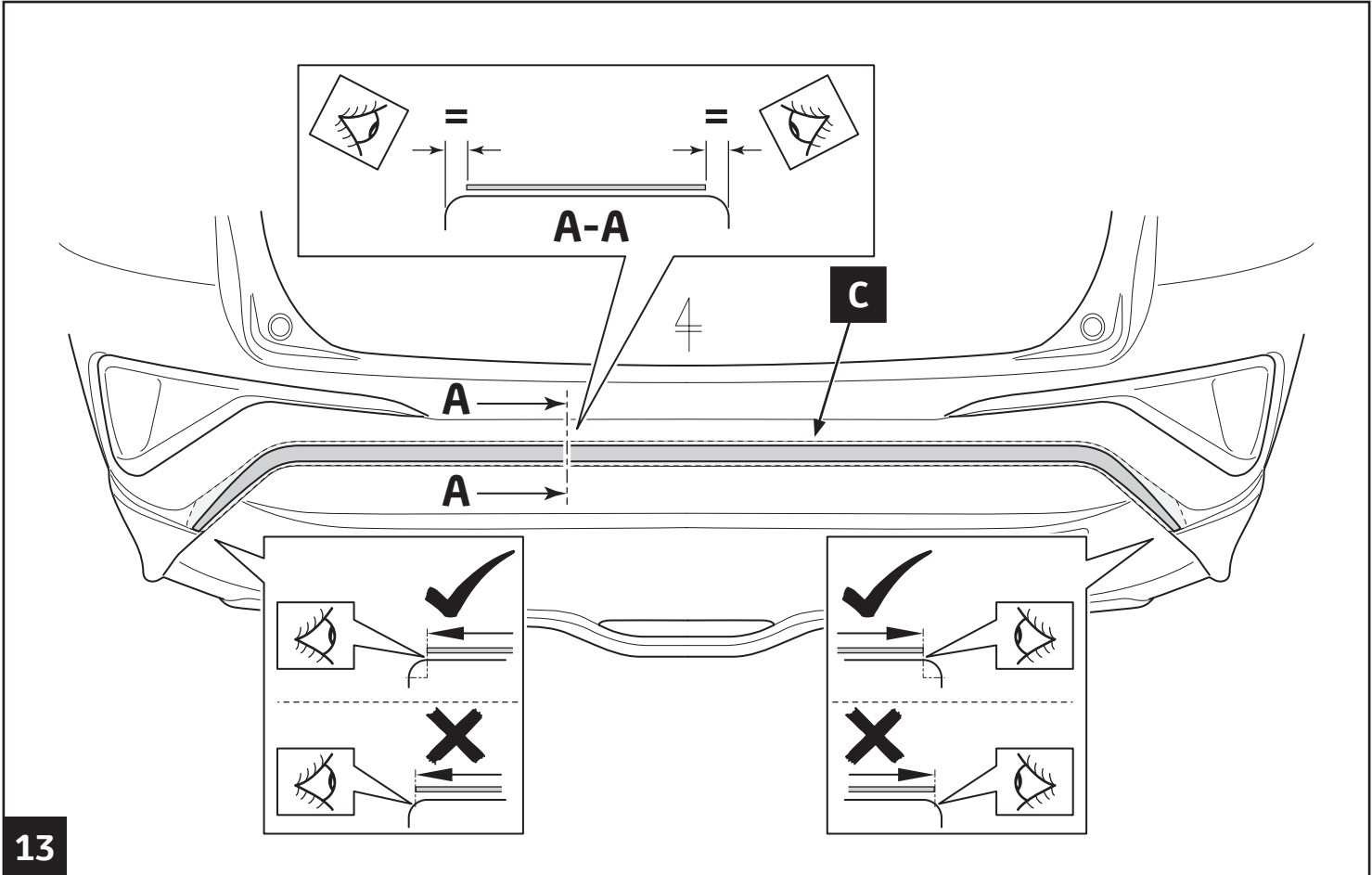
10

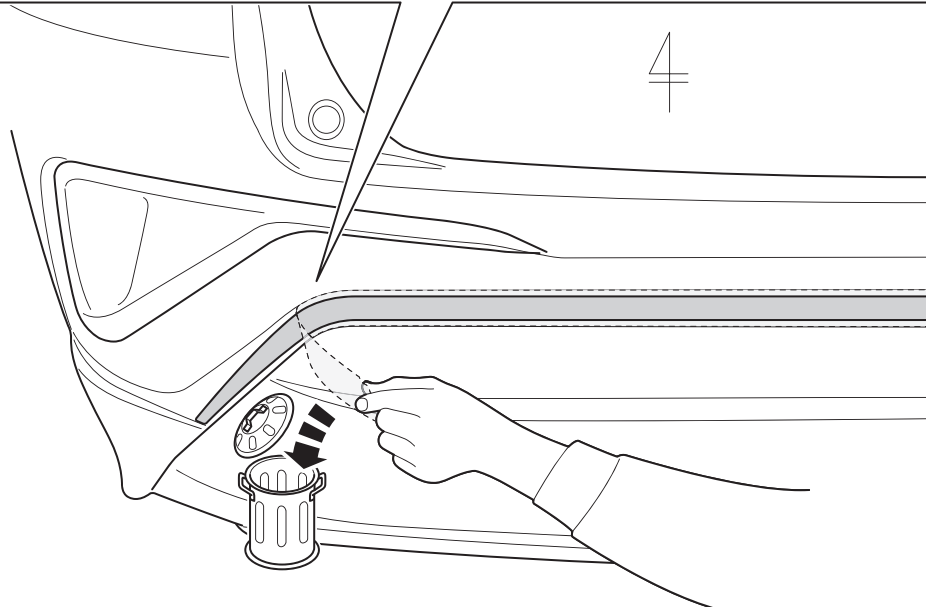
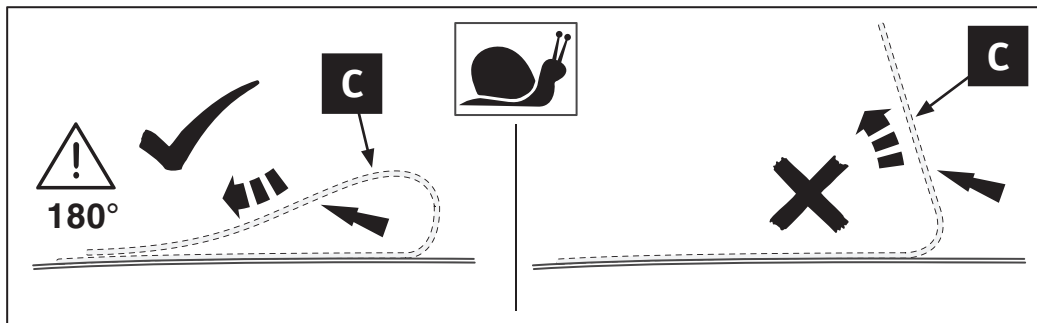


11

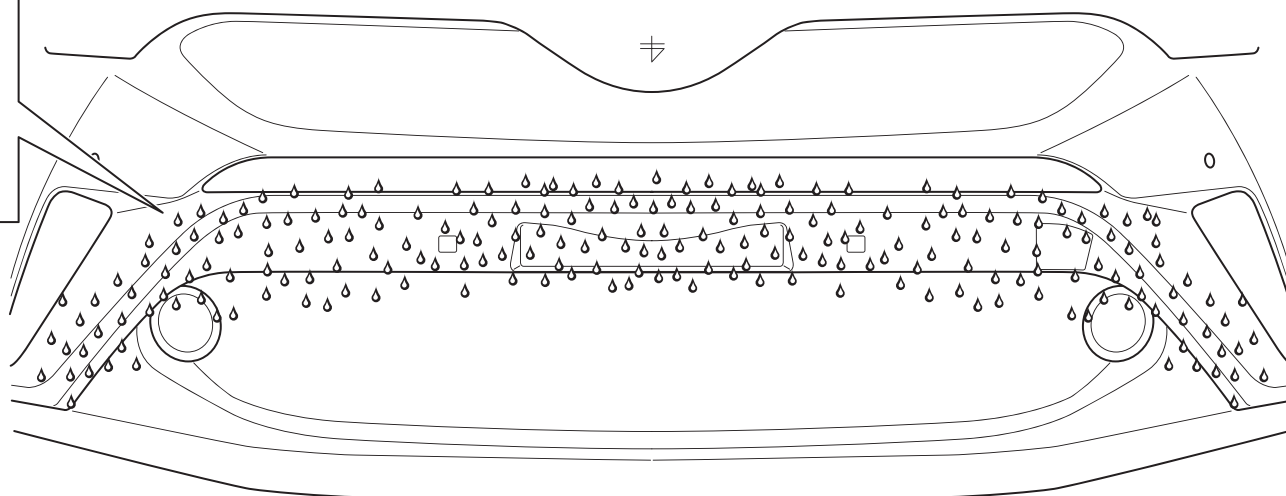
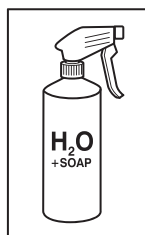


12

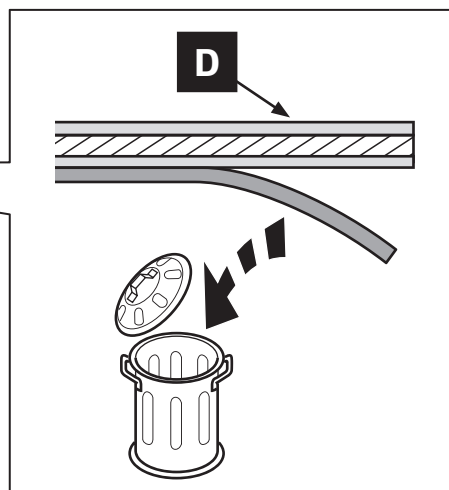
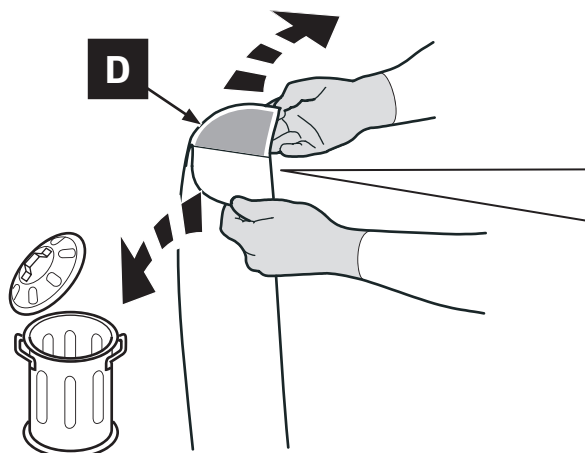




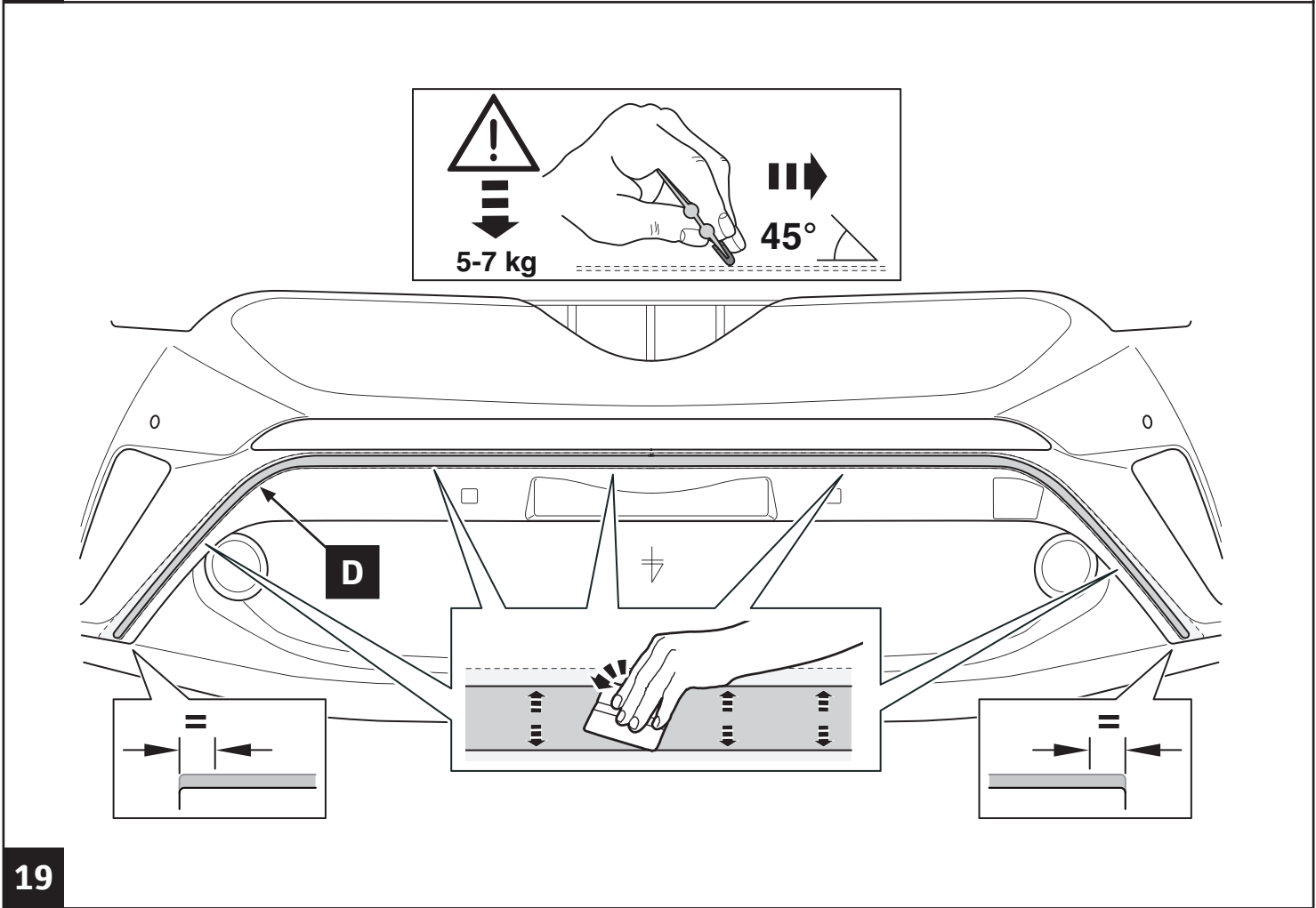
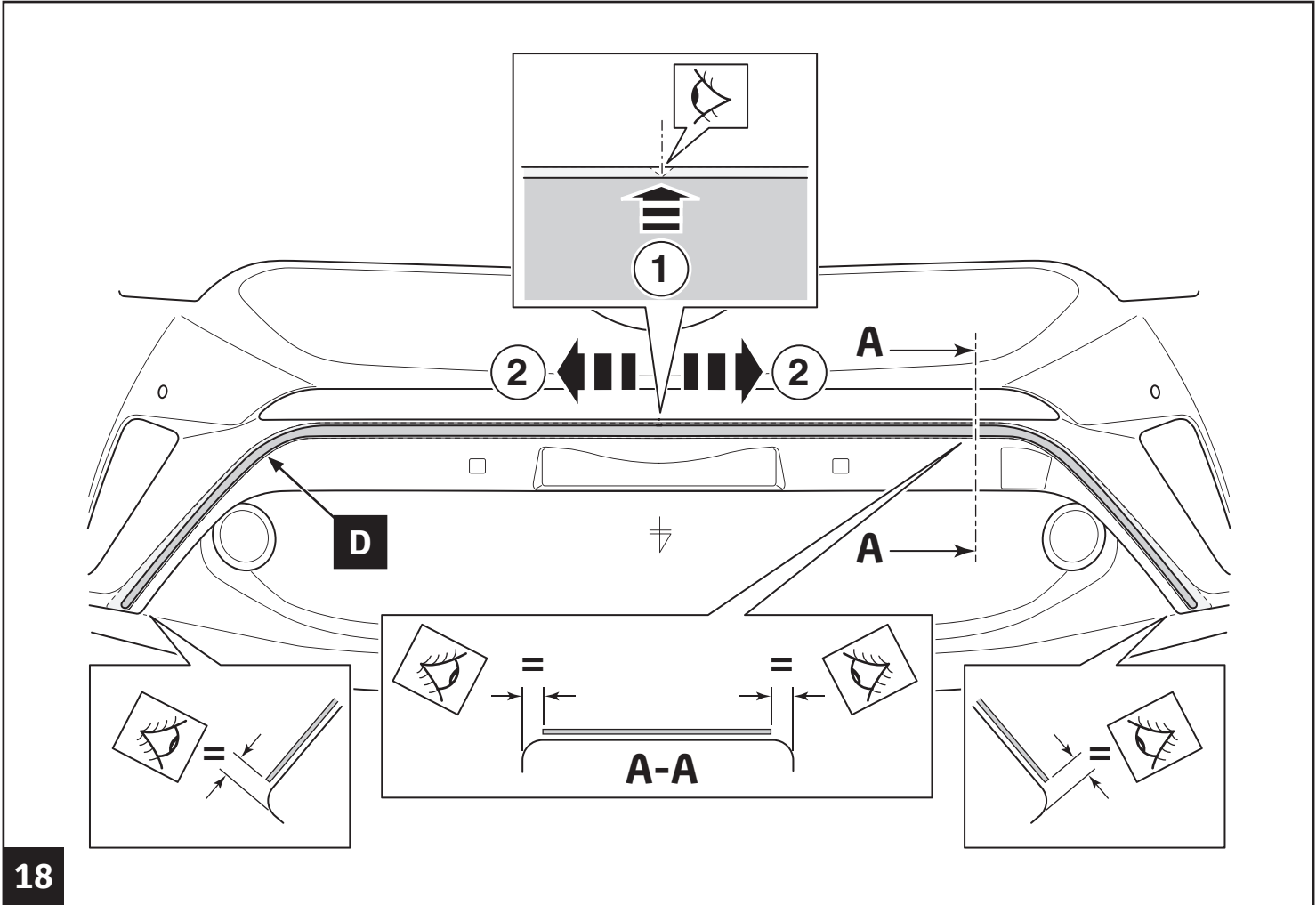
15

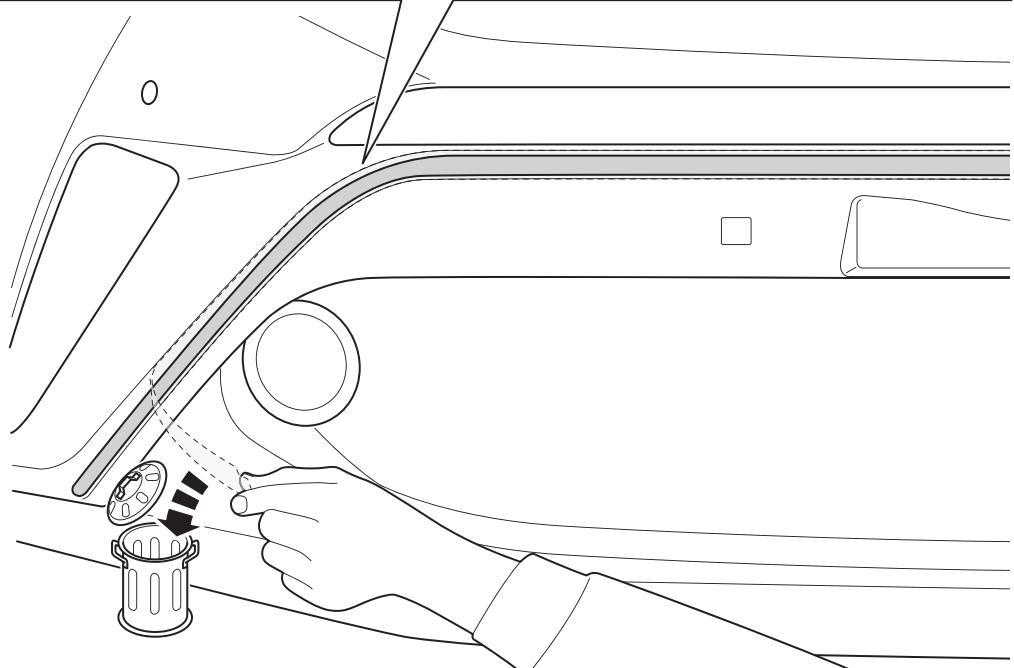
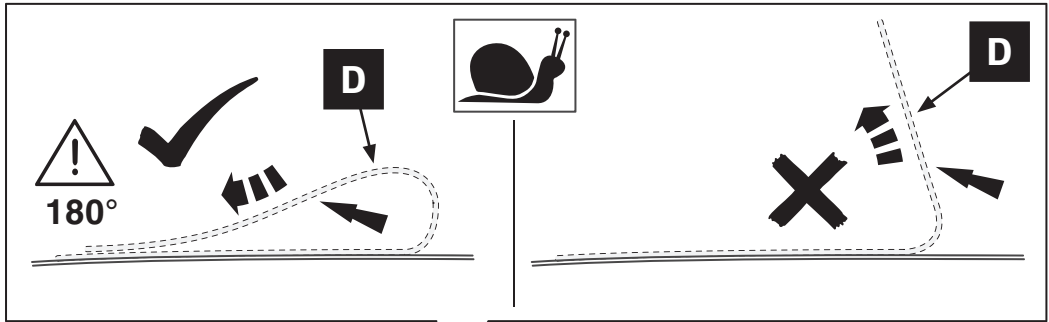


16

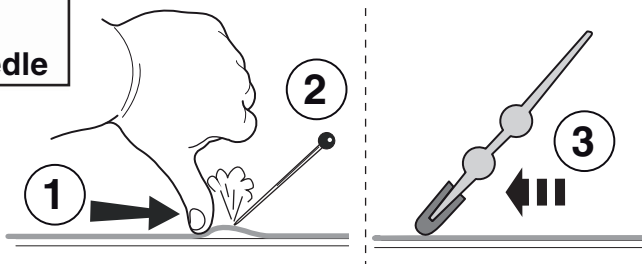
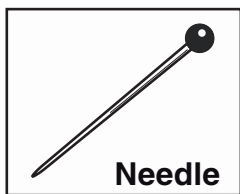
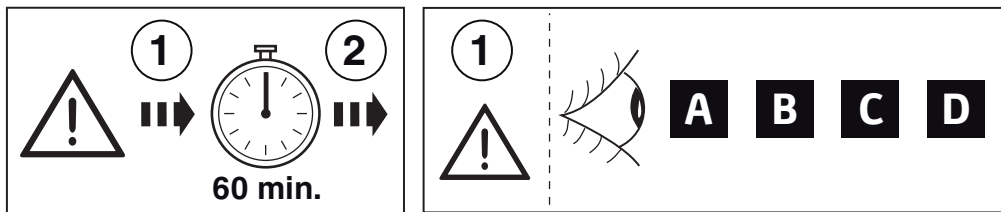


17

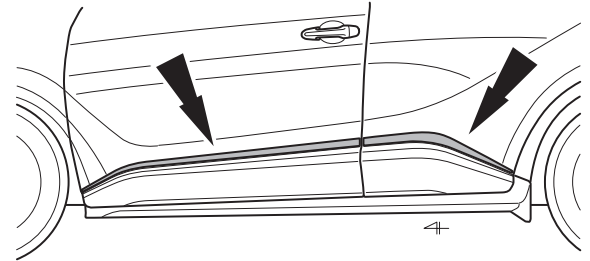
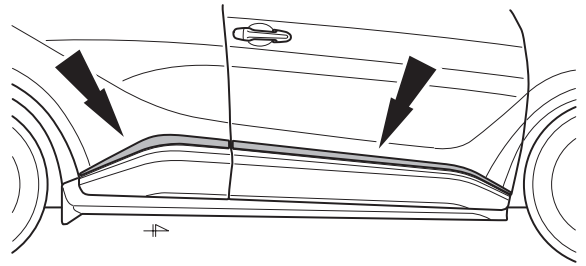
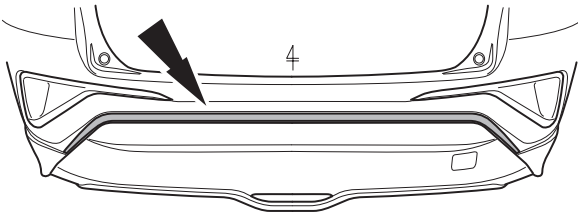
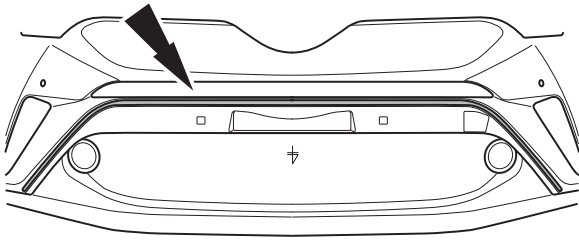
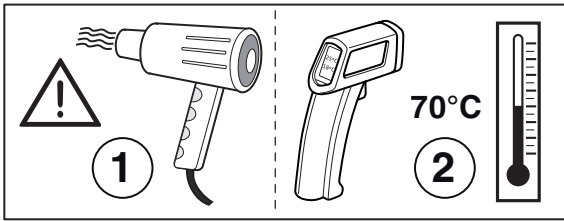




20



21



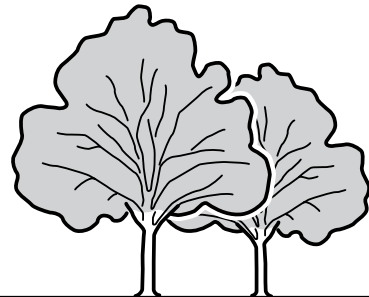
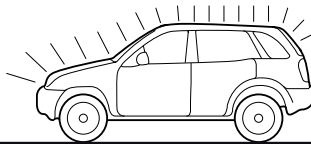
22

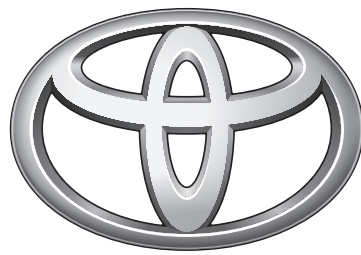


TOYOTA



18°C - 30°C



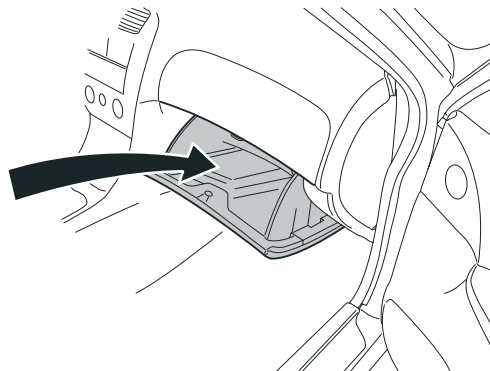
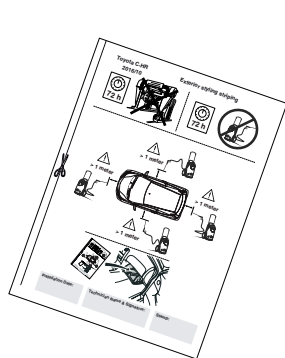
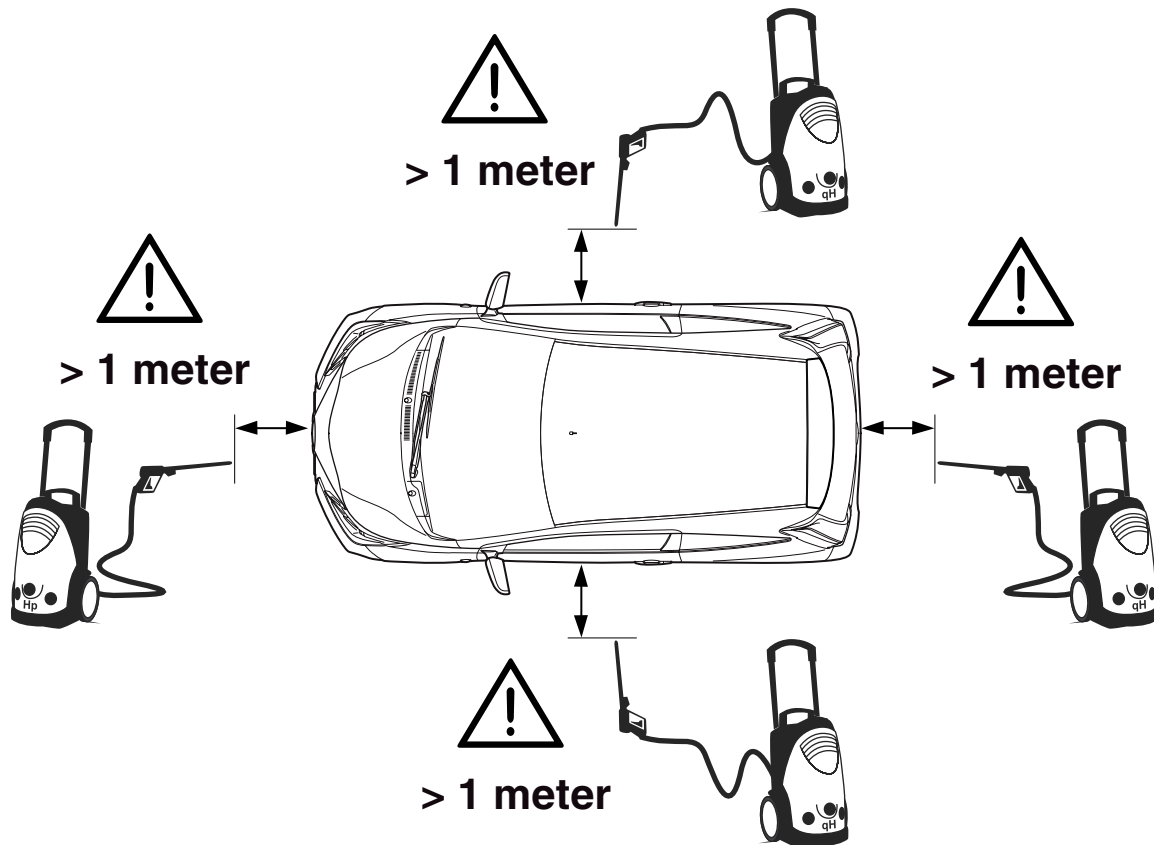
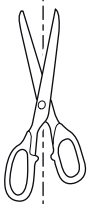
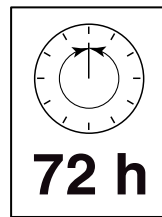
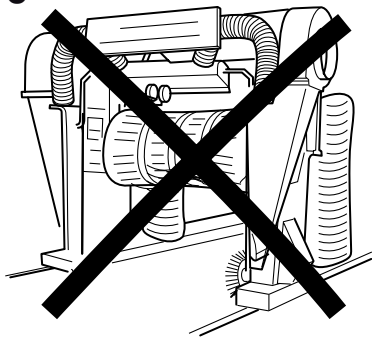
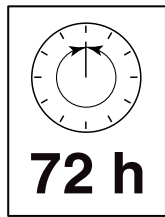


TOYOTA

Toyota C-HR

Exterior styling striping

2016/10

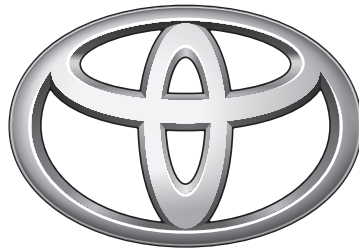


Installation Date:

... / ... / ...

Technician Name & Signature:

Stamp:



TOYOTA

CHECK SHEET



TOYOTA

ALWAYS A BETTER WAY

Model / Year **Toyota C-HR** Exterior styling striping
2016/10

VIN n°

P/N = OK

70°C

= OK

= OK

Installation Date:

.. / .. / .. .

Technician Name & Signature:

Stamp: