



TOYOTA

ALWAYS A
BETTER WAY

All models

Alloy Wheels/Disc Wheels

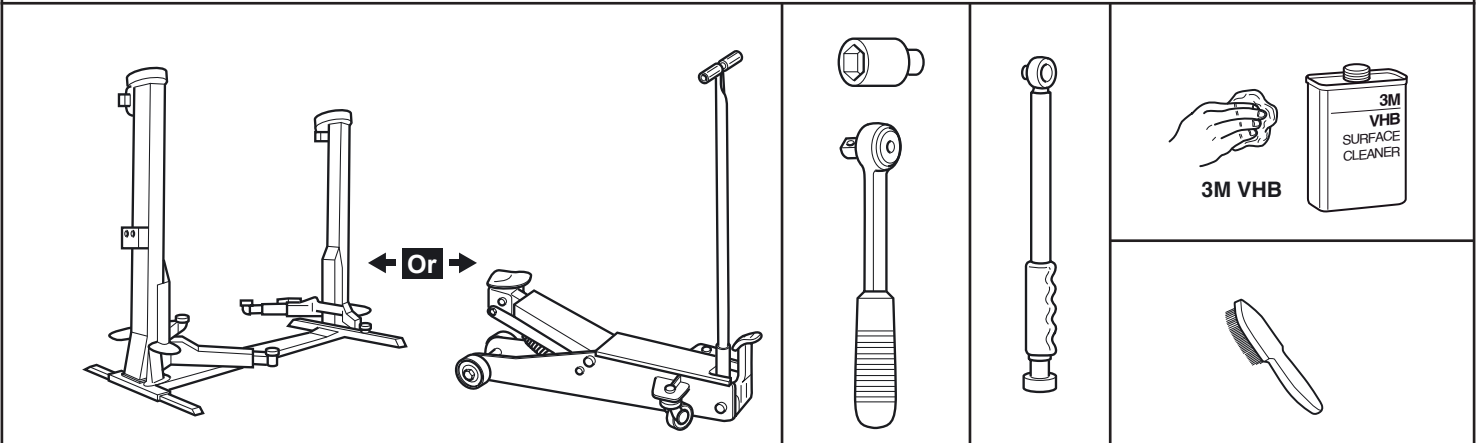
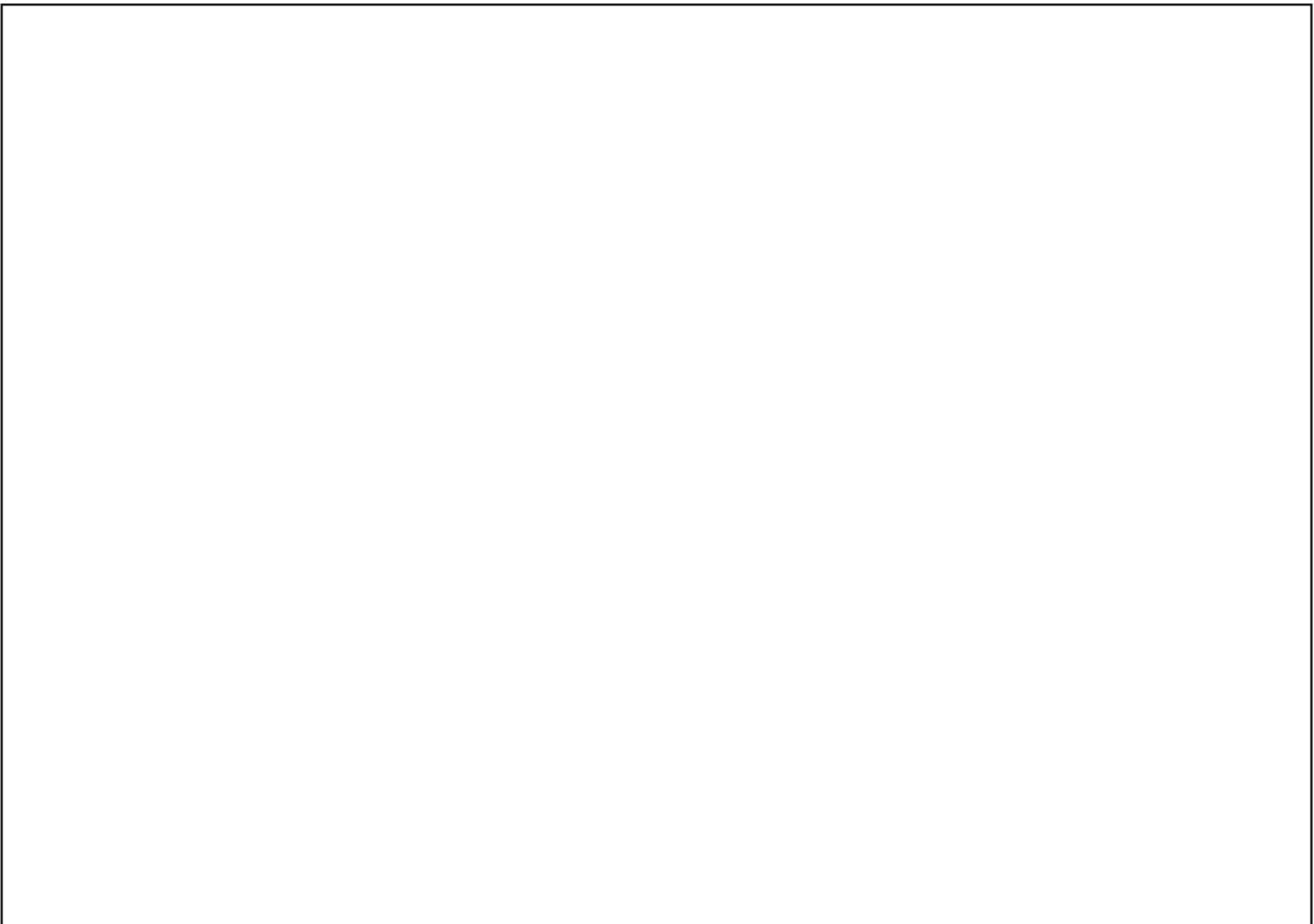
Installation Instruction

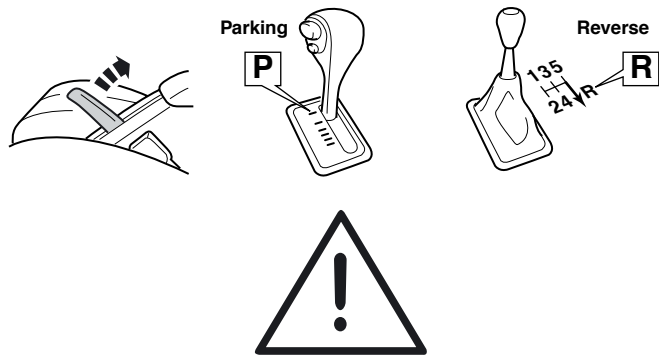
Part number: 04423-02010 Fitting kit for TPMS

Manual reference number: AIM 002 828 - 3

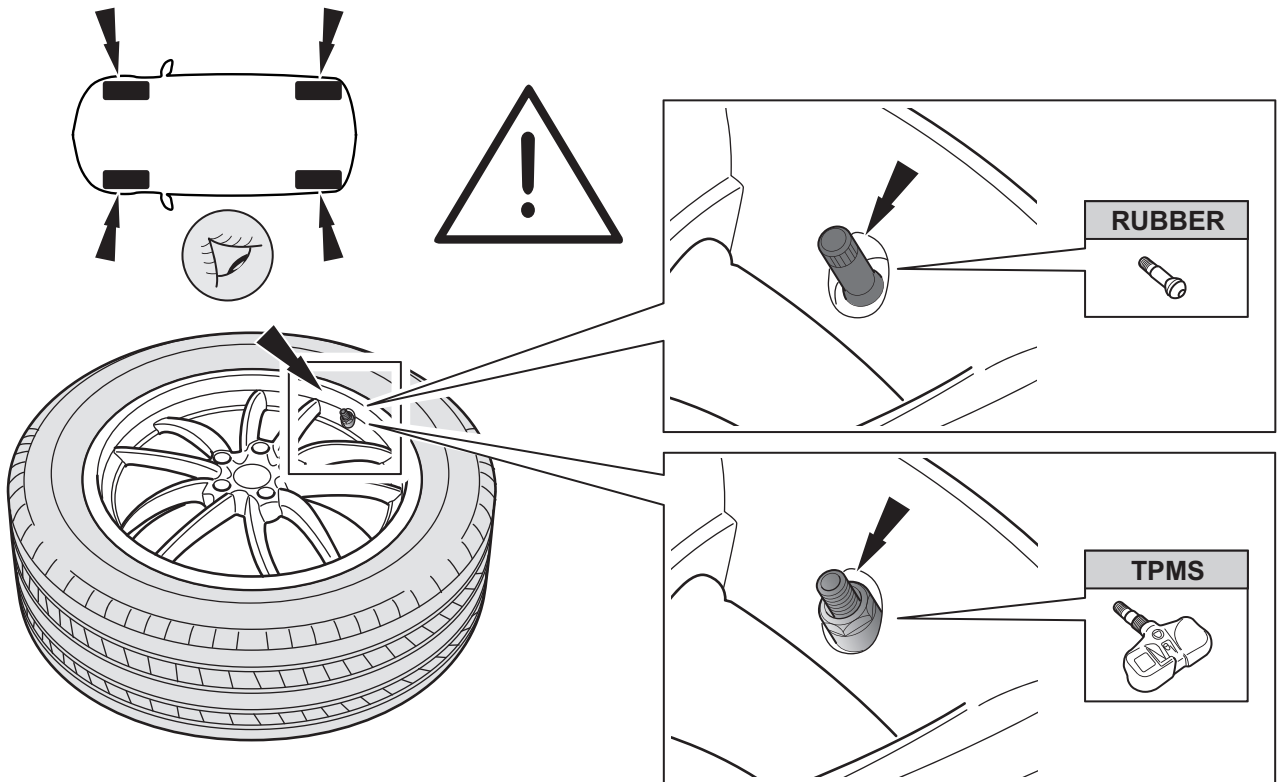
Revision Record

Rev. No.	Date	Page	Picture	Update	New	Deleted steps
1	06/03/2013	1, 5, 6, 12		X		11
2	29/03/2013	6, 11	12, 13	X		
3	08/11/2013	1, 6	Part no + 13	X		

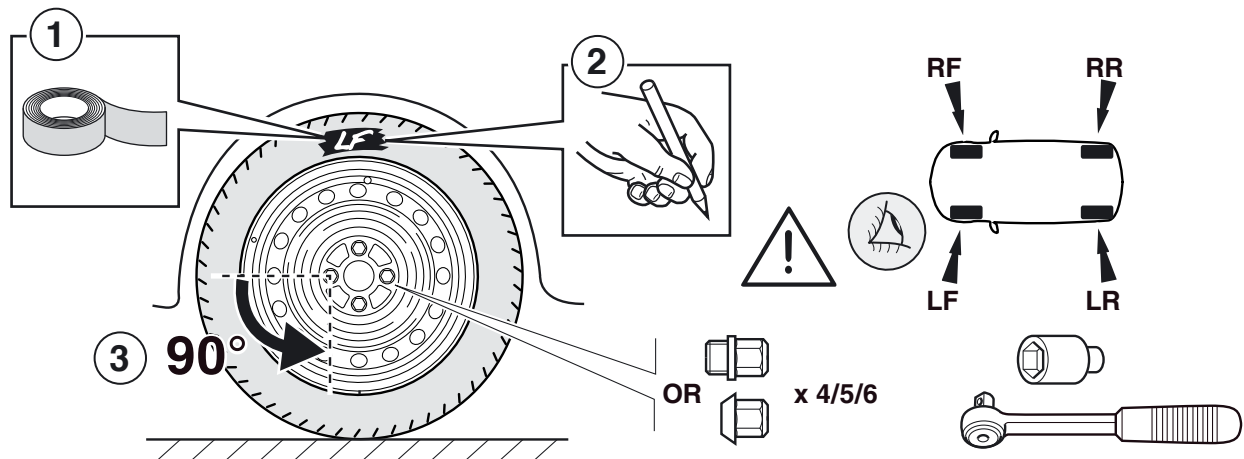




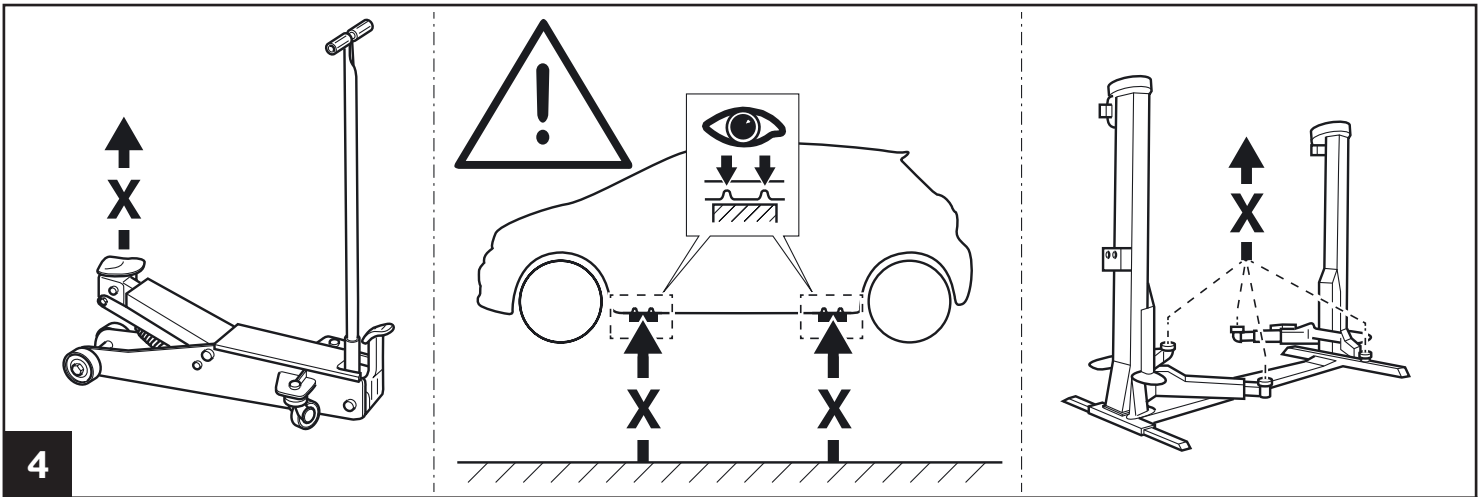
1



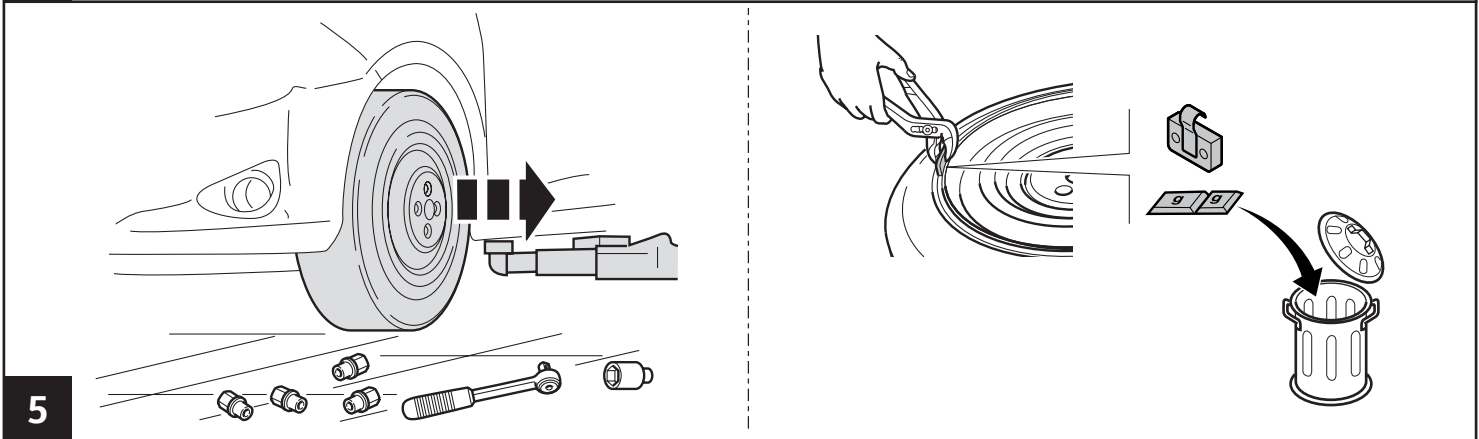
2



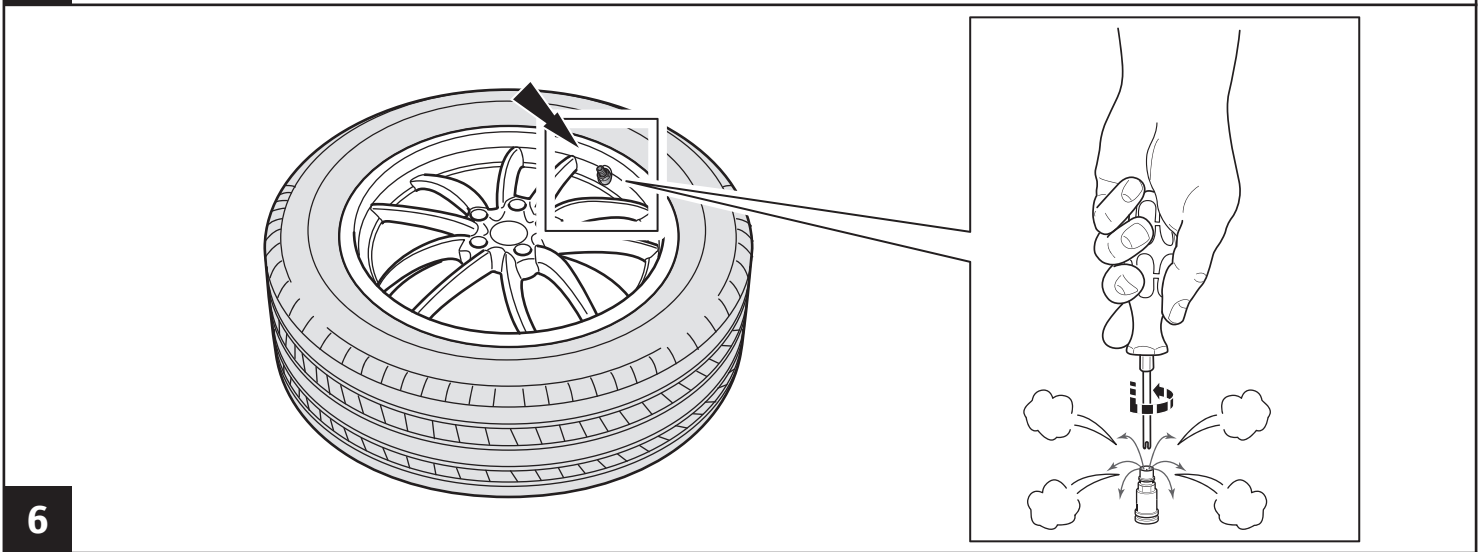
3



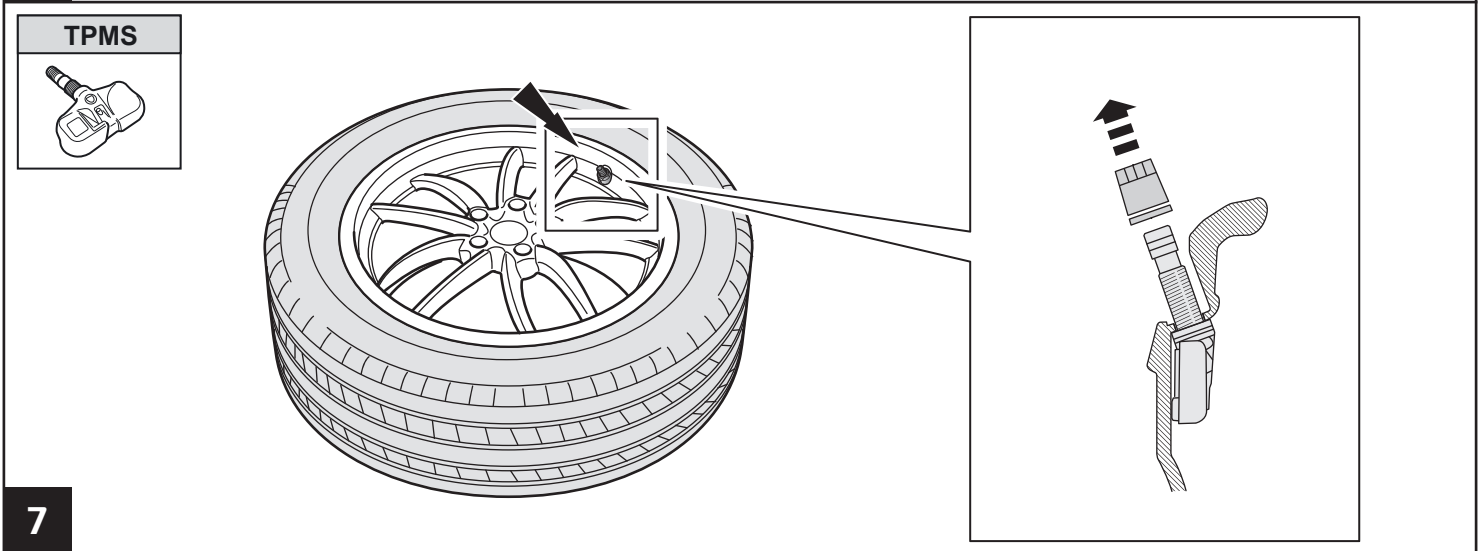
4



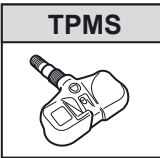
5

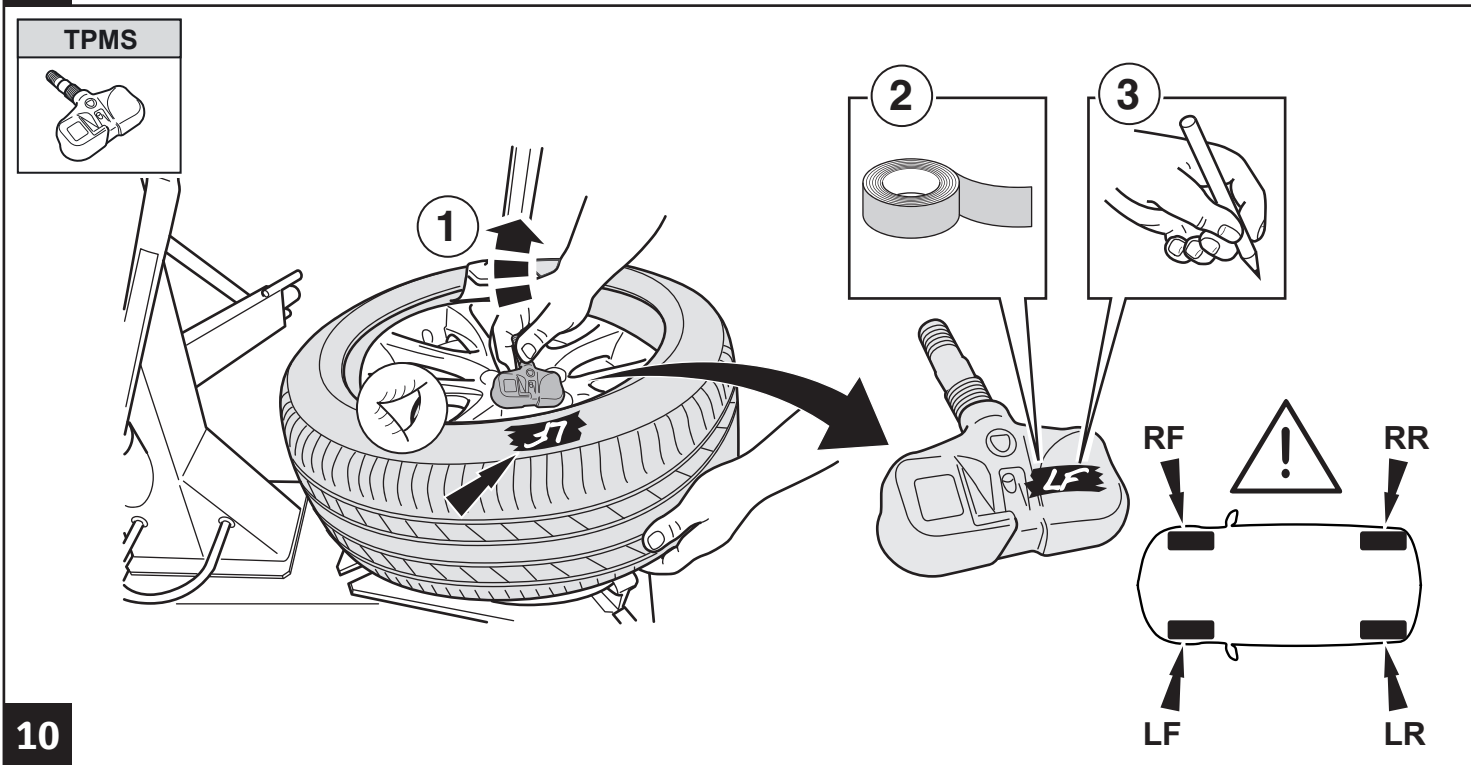
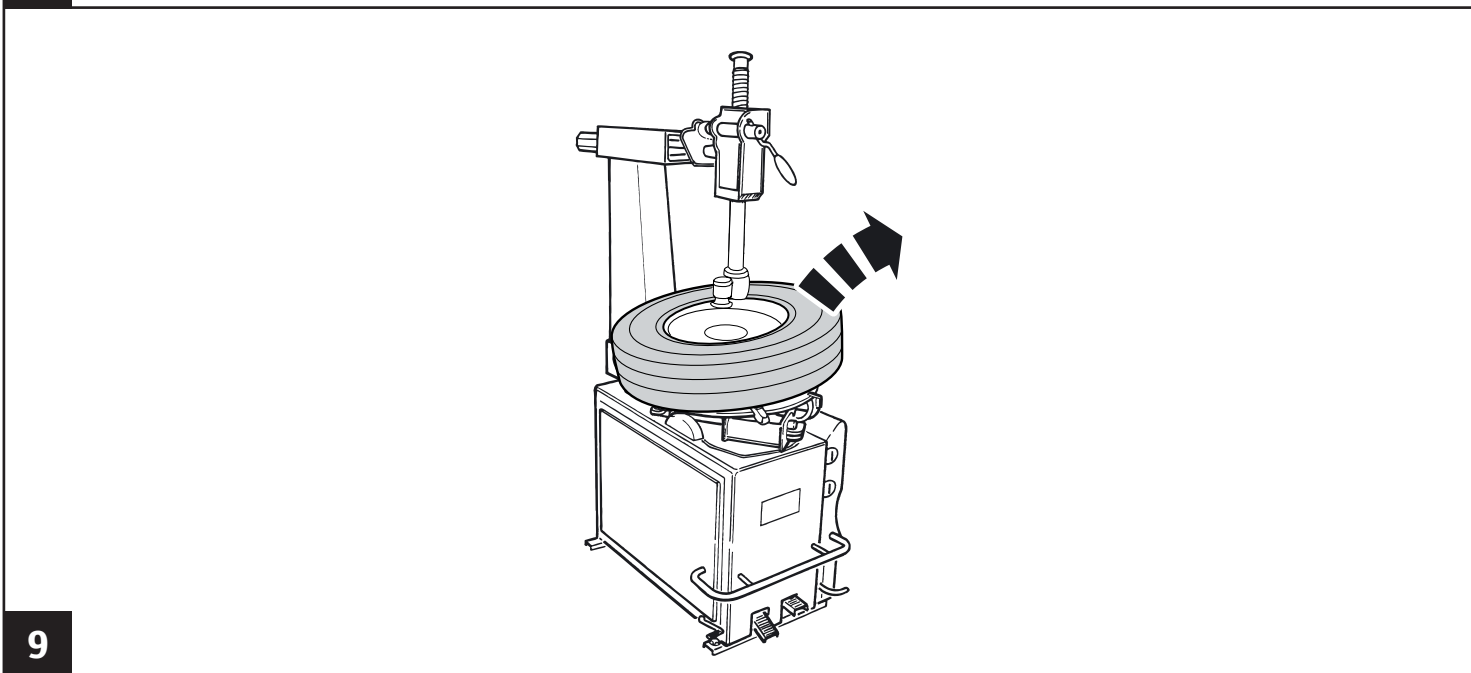
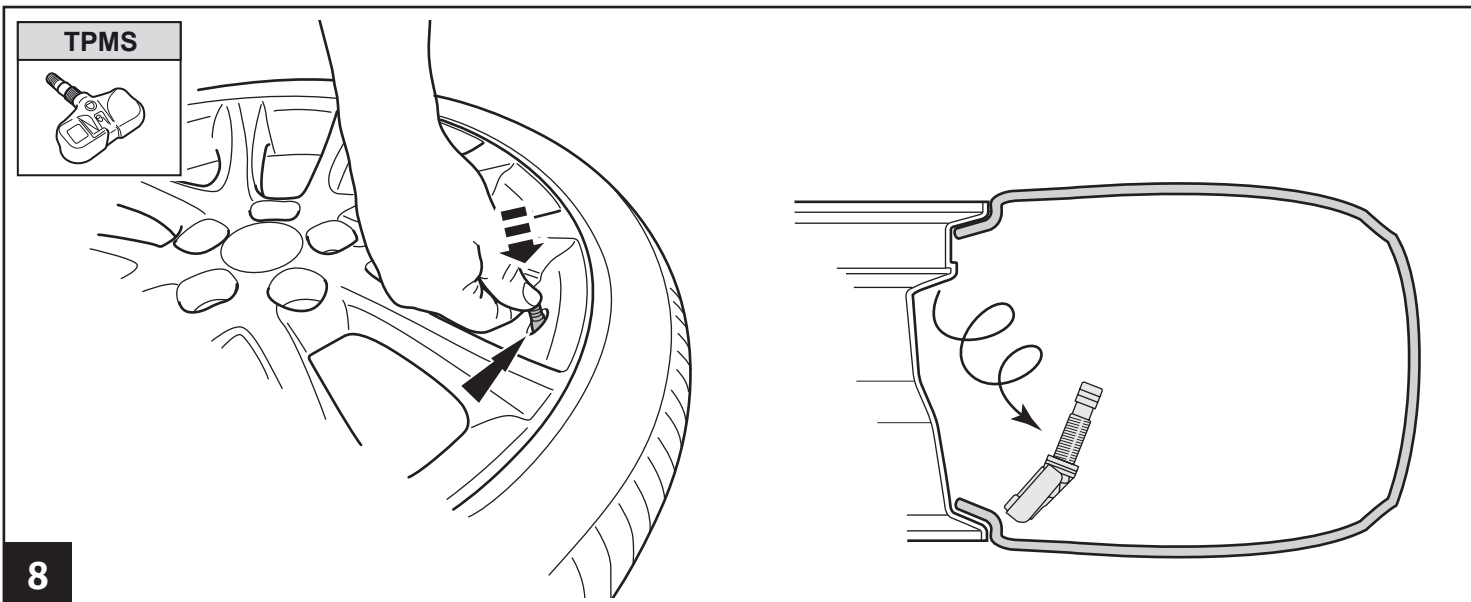


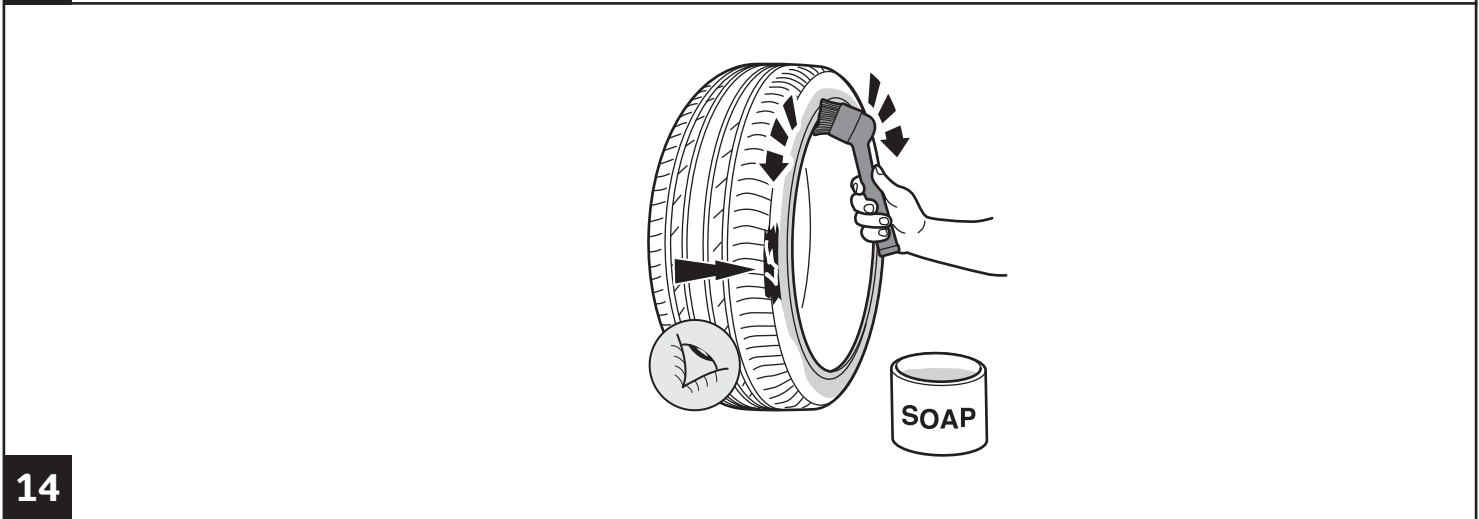
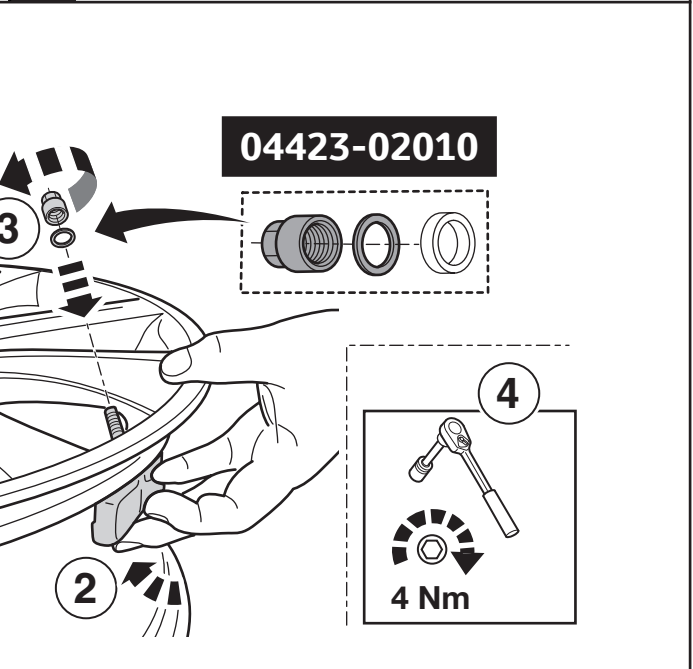
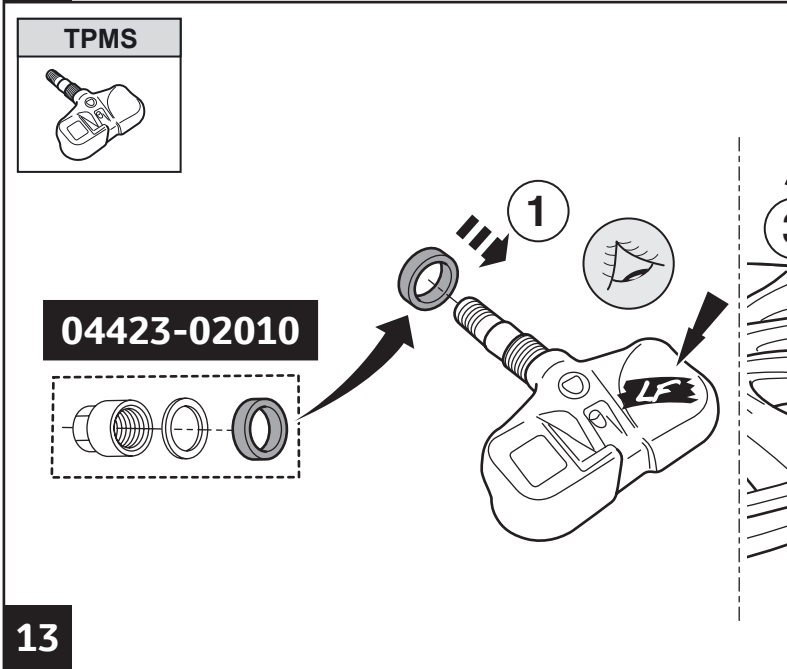
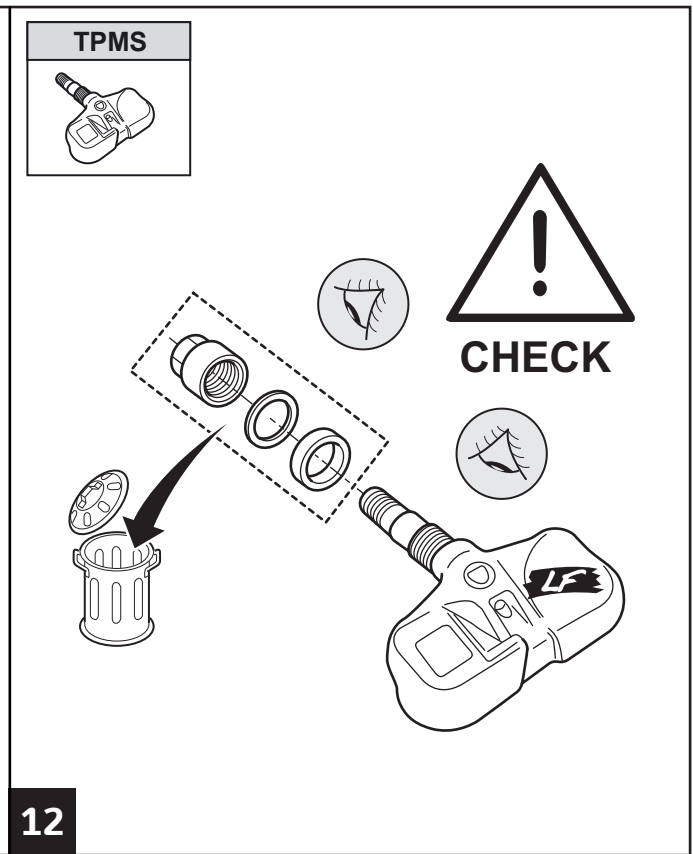
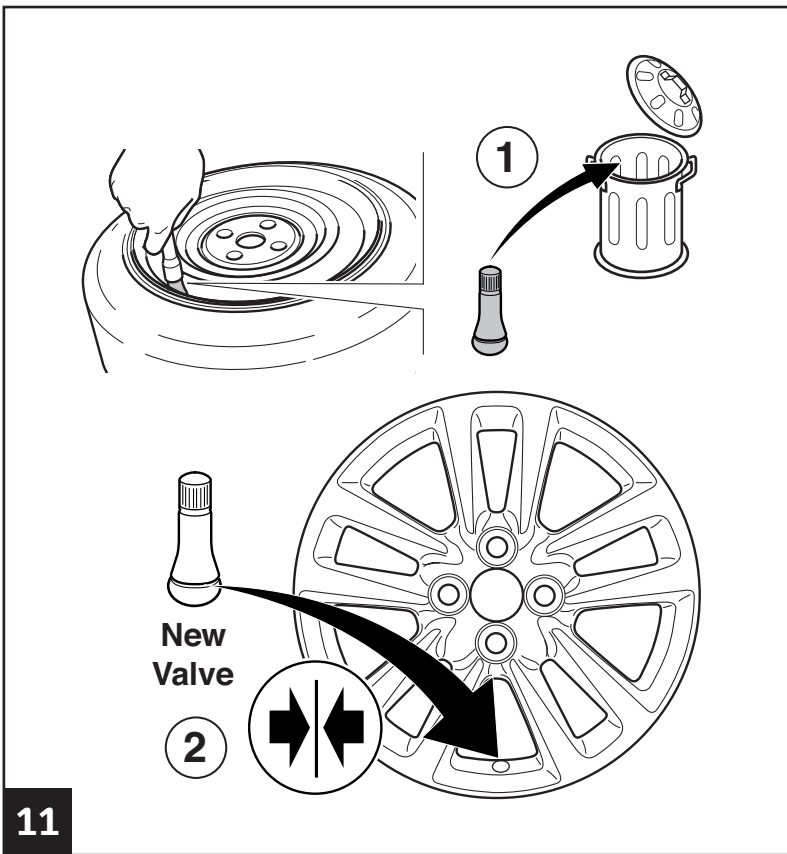
6

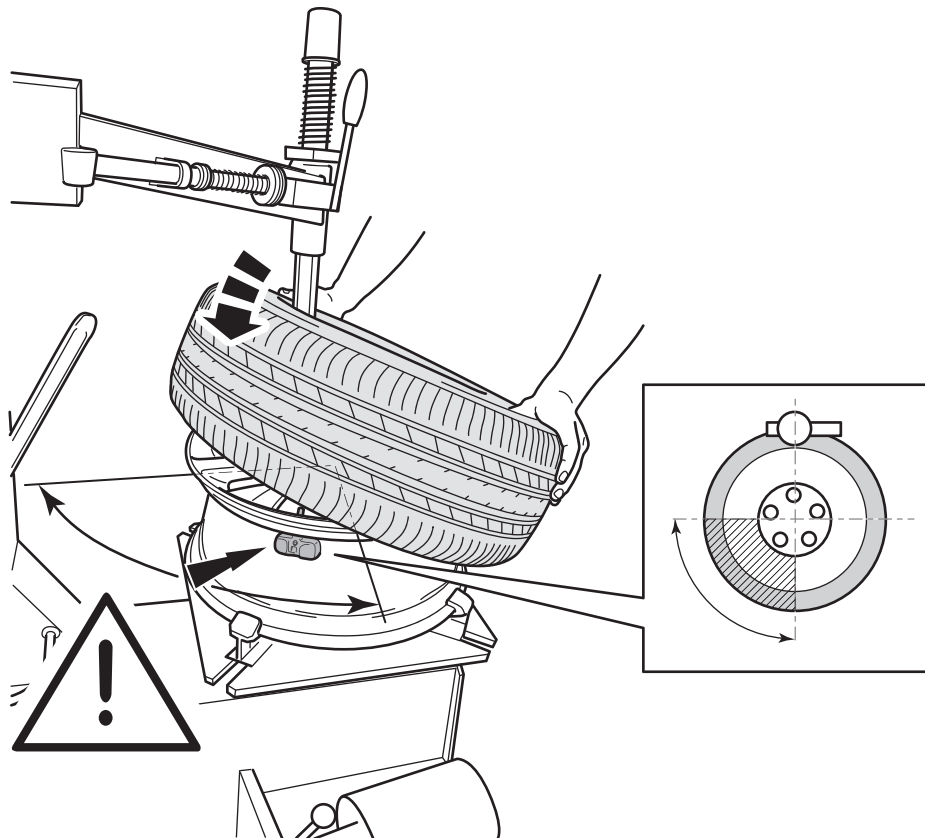
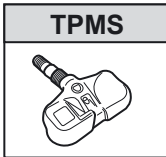
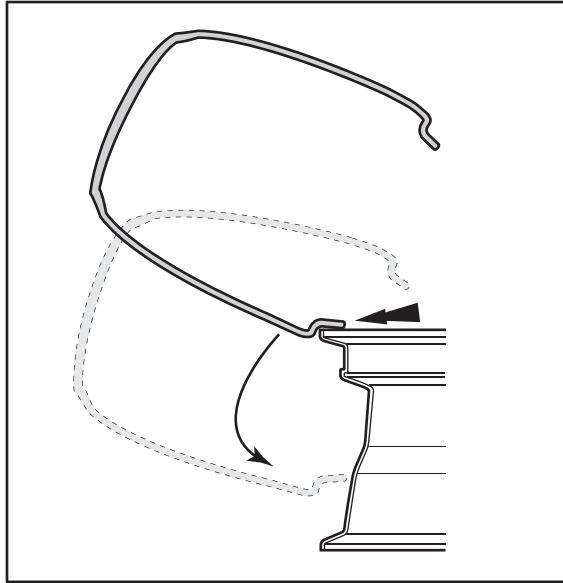
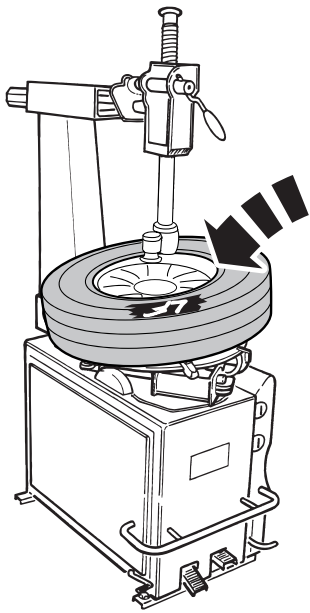


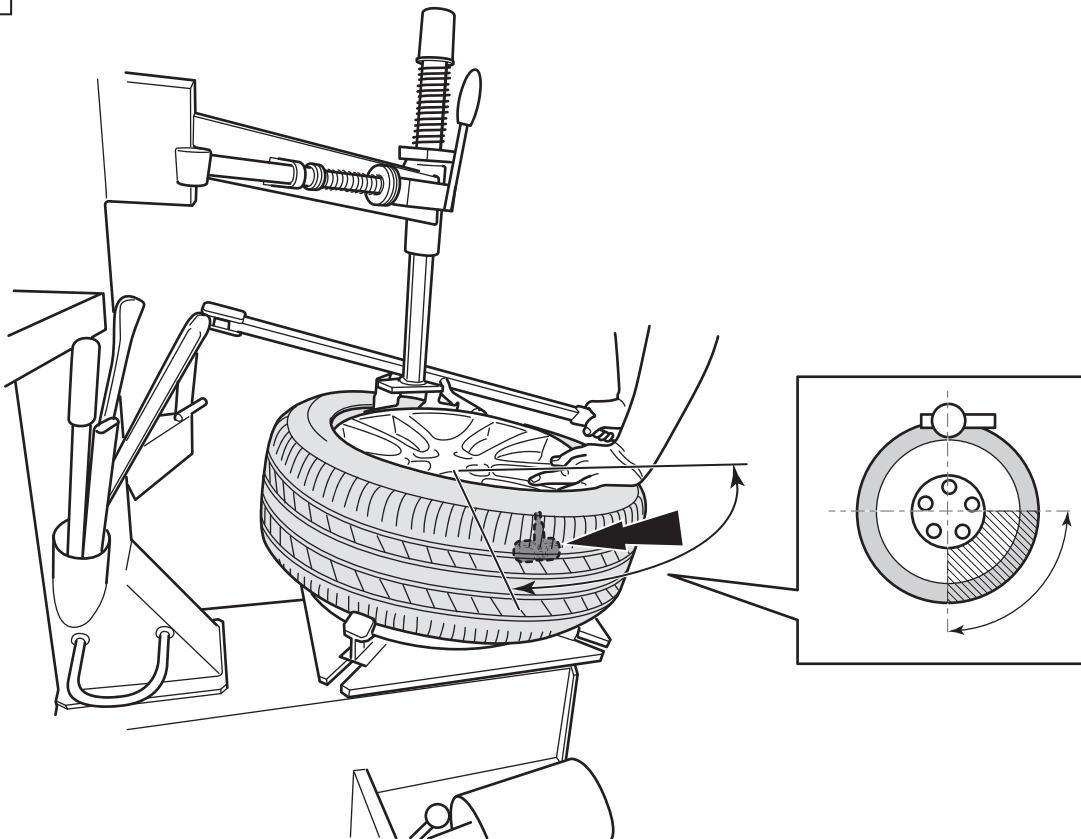
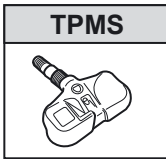
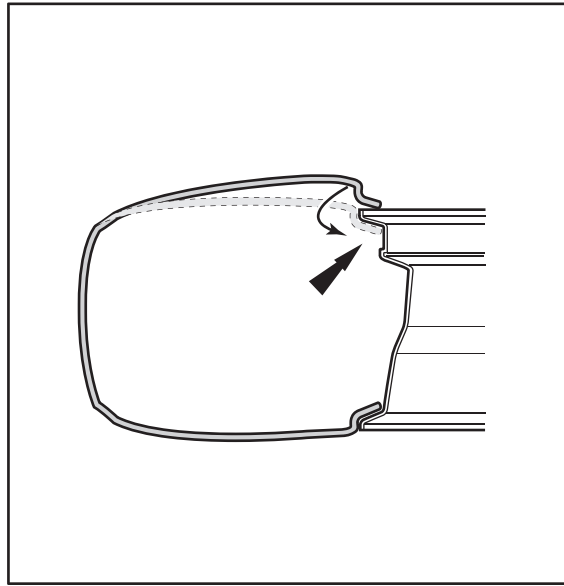
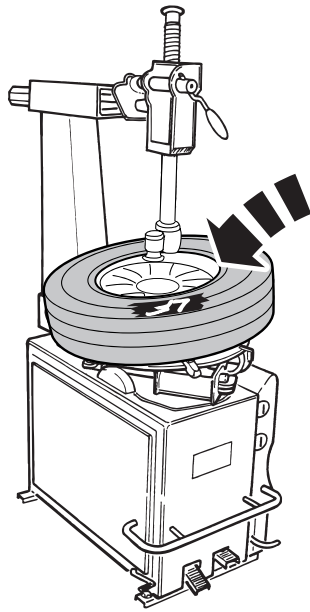
7

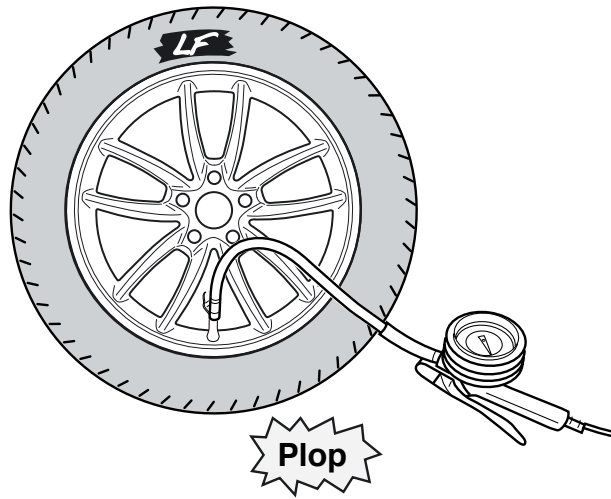






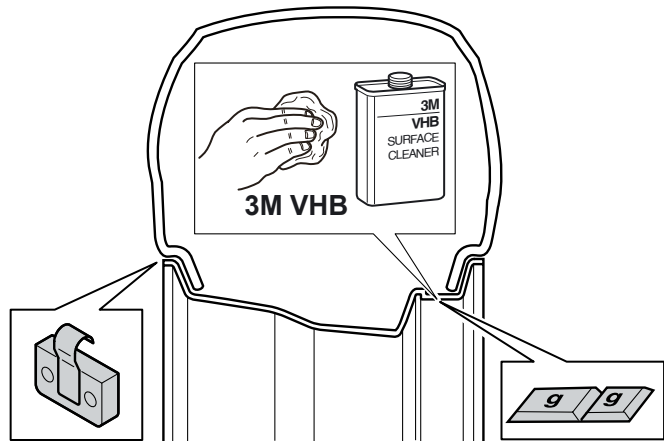
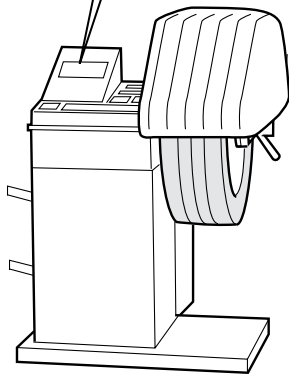






17

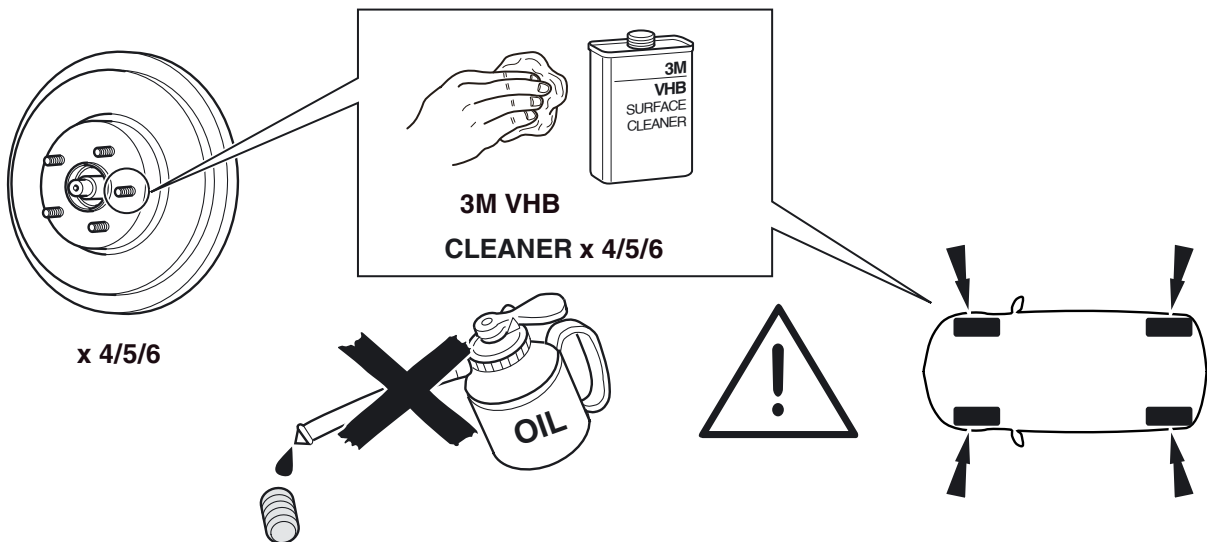
"Dynamic Mode"



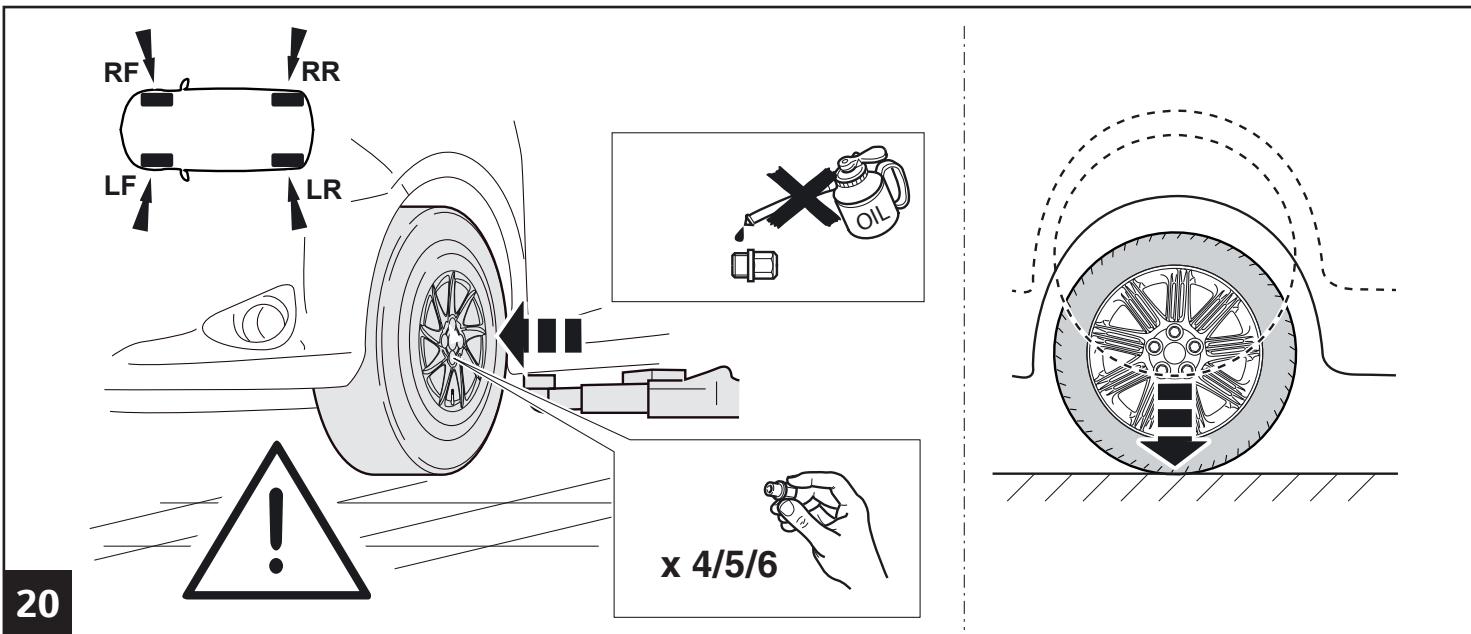
1 x 60g Max.

2 x 60g Max.

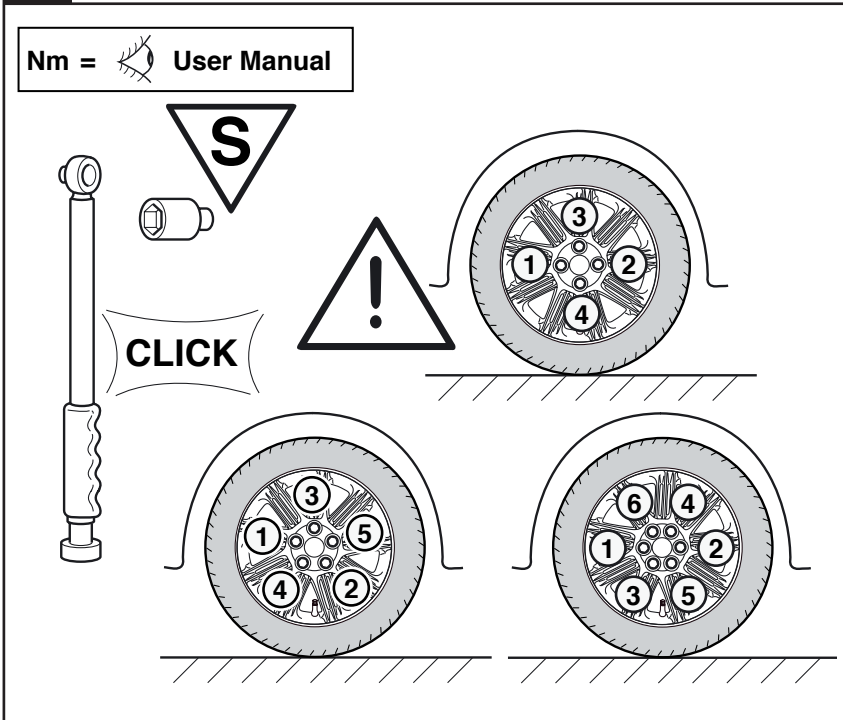
18



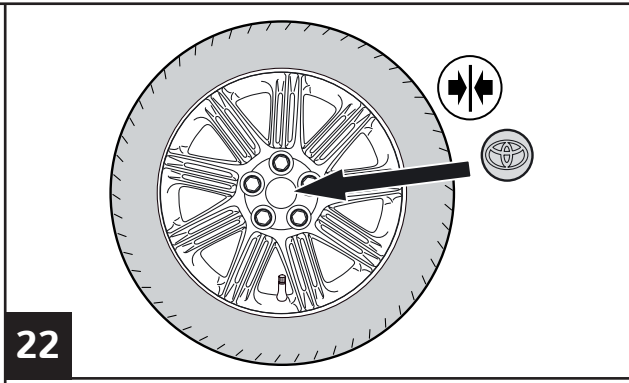
19



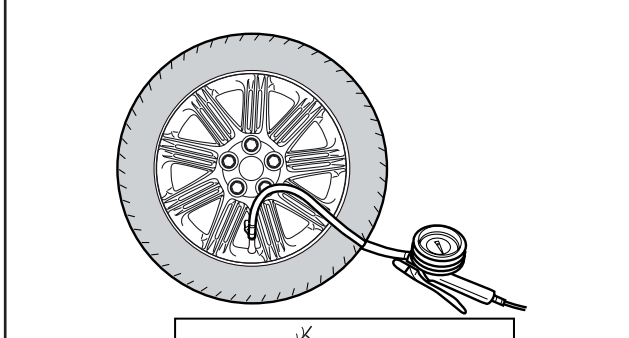
20



21

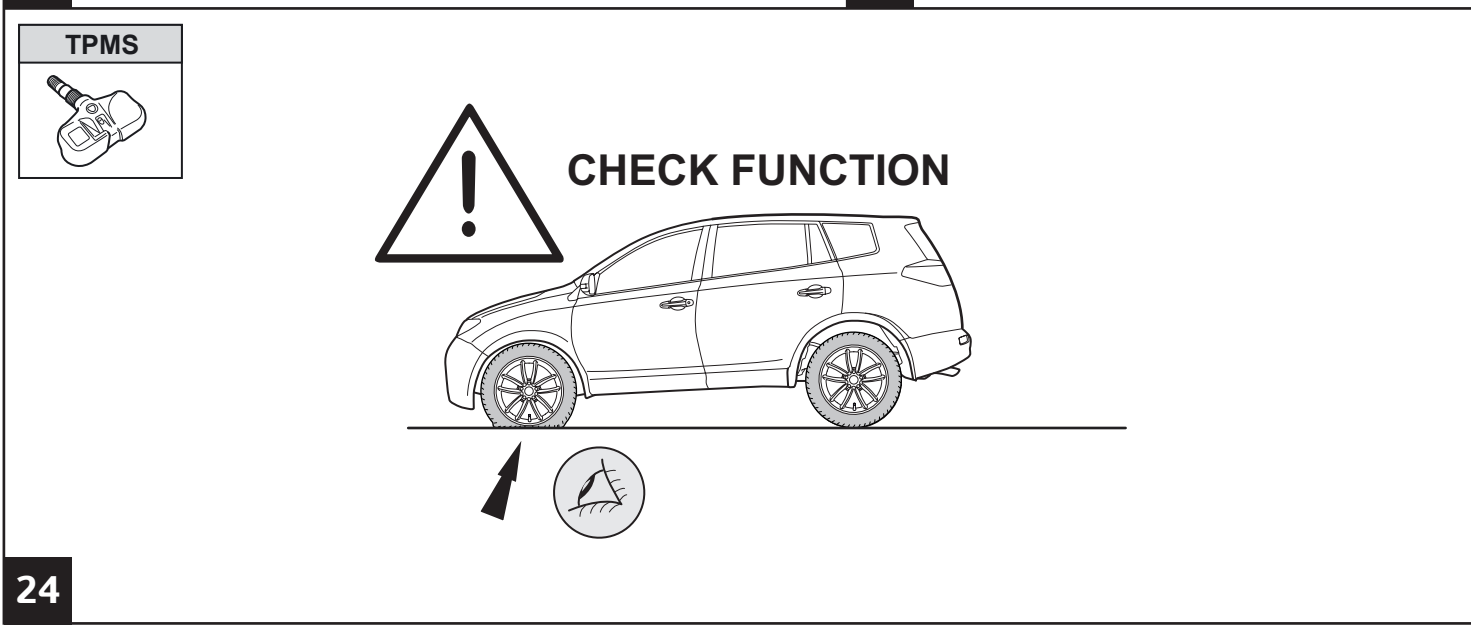


22



23

P_{max} = User Manual



24

CHECK SHEET



TOYOTA

ALWAYS A BETTER WAY

Model / Year

Alloy Wheels/Disc Wheels

VIN n°

P/N = OK

=A
 =B

S Brand "A"
XXX/RXX/XX

A B

S

Serial Number

 Nm

A B A B

A B A B


TPMS

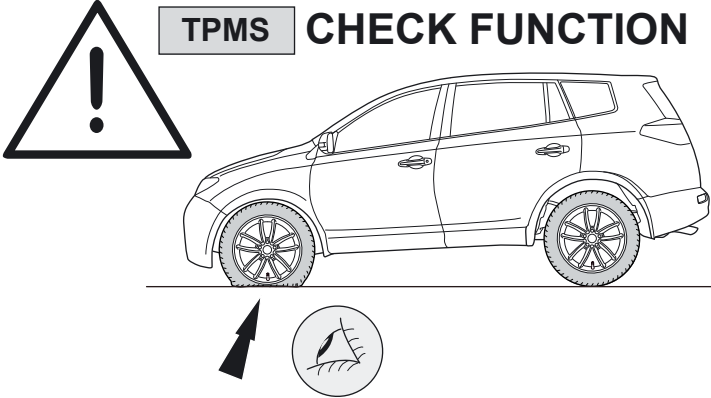
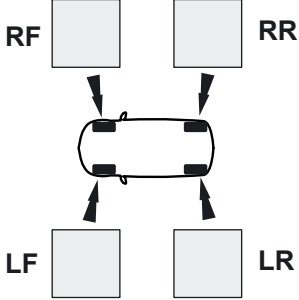
4 Nm

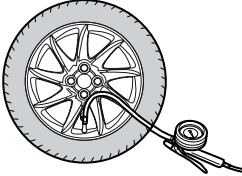

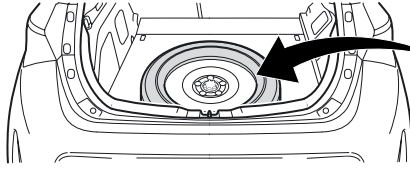
Serial Number

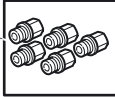

RF = RF RR = RR


LF = LF LR = LR

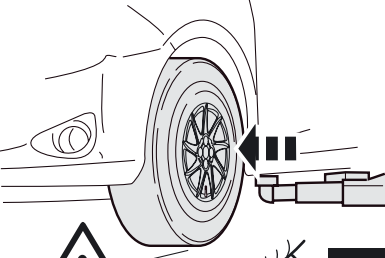
TPMS CHECK FUNCTION 






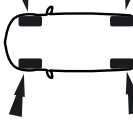
1  **2**  **3** 




OE Bolts  


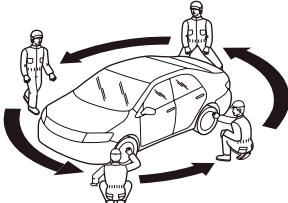

P_{max}  **User Manual**

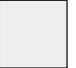


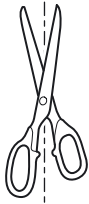
RF = RF   **RR = RR**



20  **LF = LF**   **LR = LR**

= OK 



Installation Date:
 . . / . . /

Technician Name & Signature:

Stamp: