

Corolla TS

Dog Guard with Divider

Installation Instructions

Model year: As from 2019/02

Vehicle code: **E*1**-*W***W As from 2019/02 till 2023/01
**E*19*-*X*BW As from 2023/01

Part number: PW255-02000 Dog Guard
PW255-02001 Divider

Manual reference number: AIM 006 104-3

Revision record

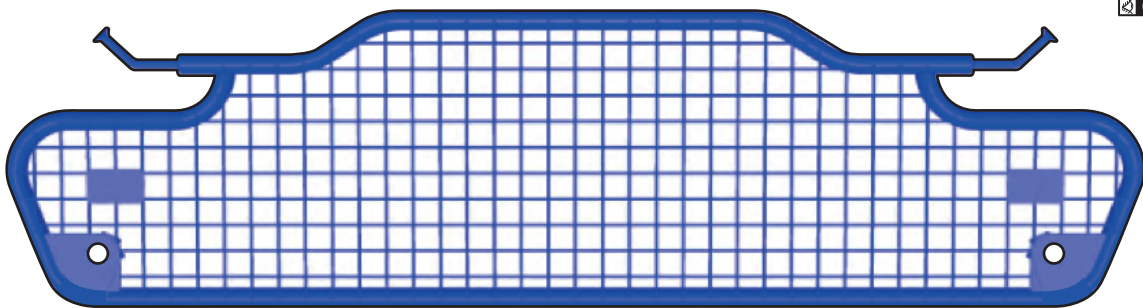
| Rev. No. | Date | Page | Step | Remarks |
|----------------|------------|------|-------|--|
| △ ₁ | 03.09.2020 | 9 | OM | Image deleted. |
| △ ₂ | 26.11.2020 | 1, 2 | Kit | „PW255-02002“ P/N removed, Part „PW255-02001“ added. |
| △ ₂ | 26.11.2020 | 8-10 | 10-13 | Divider added. |
| △ ₂ | 26.11.2020 | 14 | CS | Divider added. |
| △ ₃ | 04.05.2022 | 1 | | Vehicle code added. |

KIT CONTENT

PW255-02000 - Dog Guard



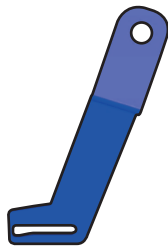
△₂



A

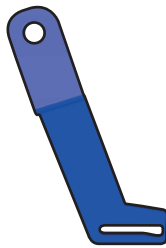
x1

L



x1

R

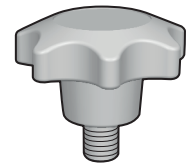


x1

B

C

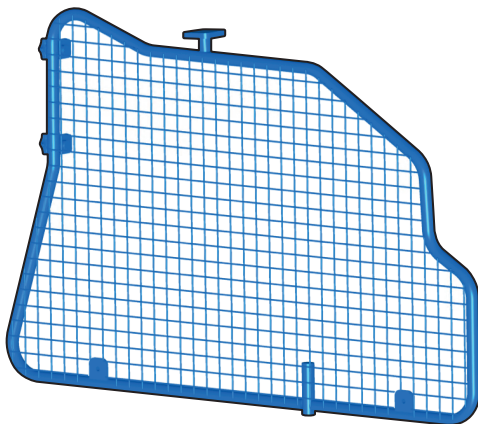
D



x2

PW255-02001 - Divider

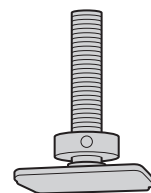
△₂



E

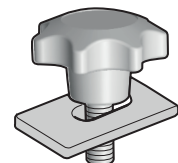
x1

G



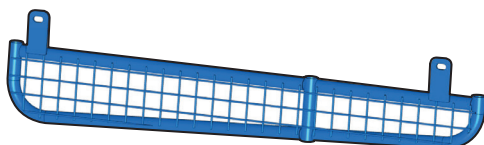
x1

H



x2

F



x1

I



x2

J



x2

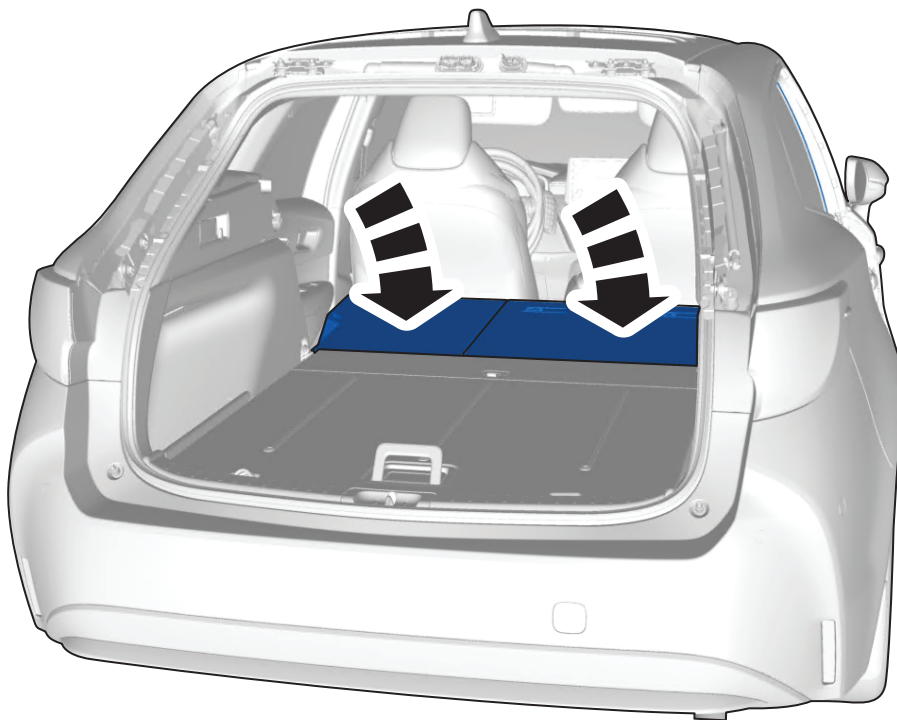
INSTALLATION INSTRUCTIONS



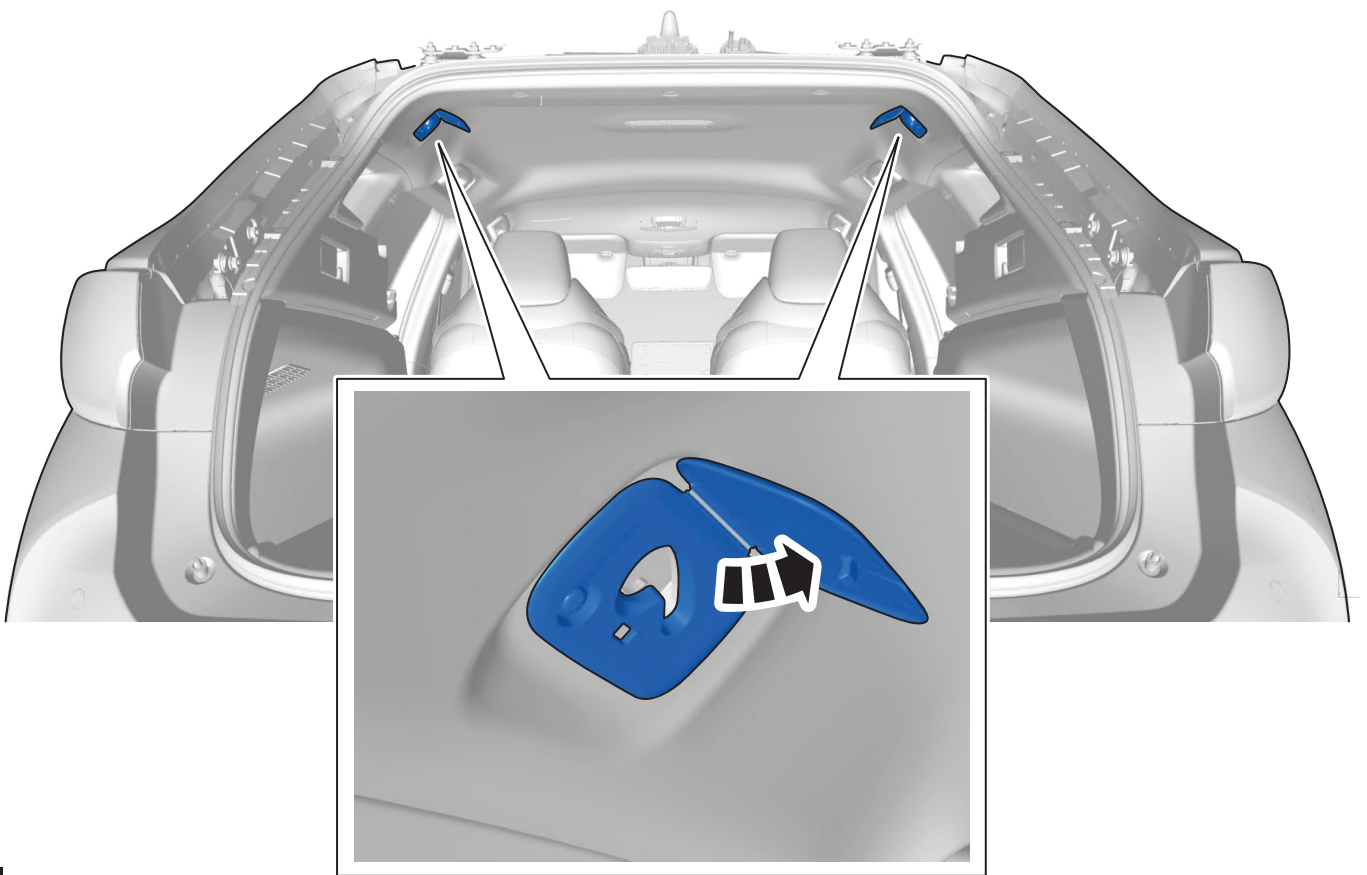
1



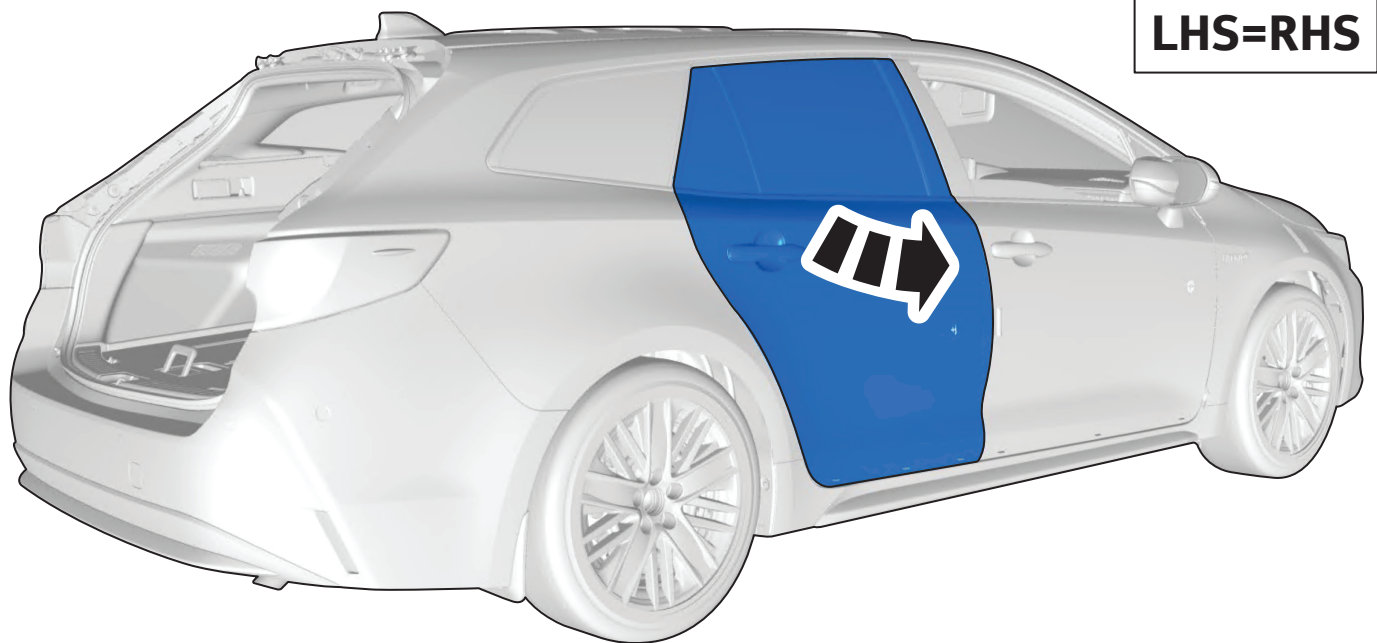
2



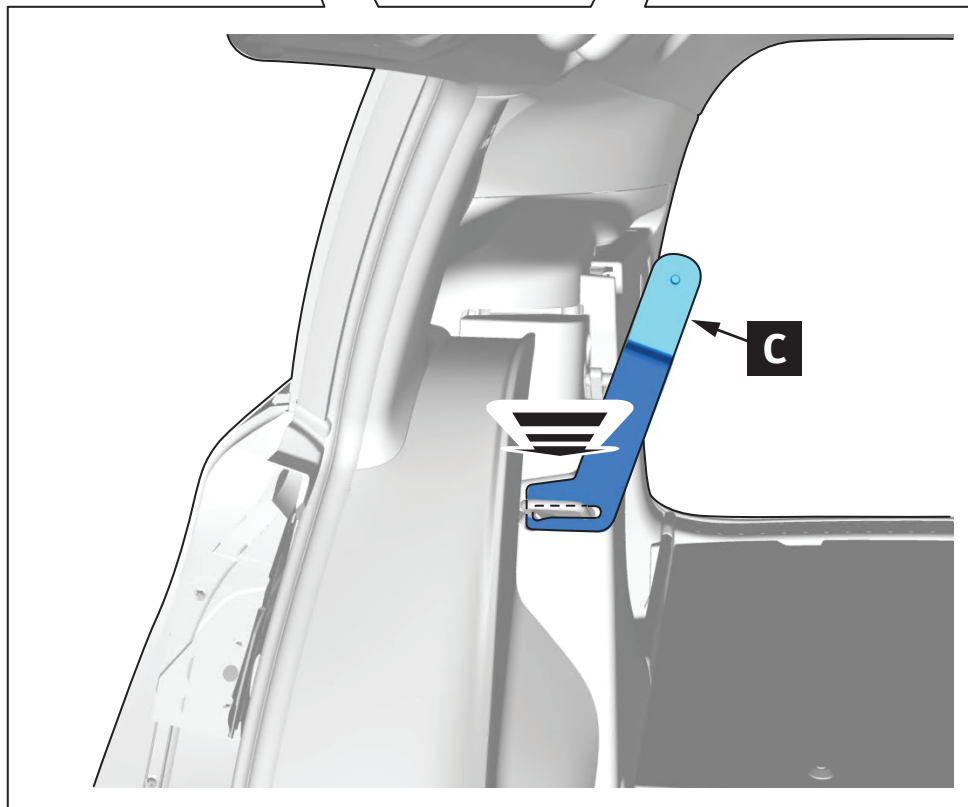
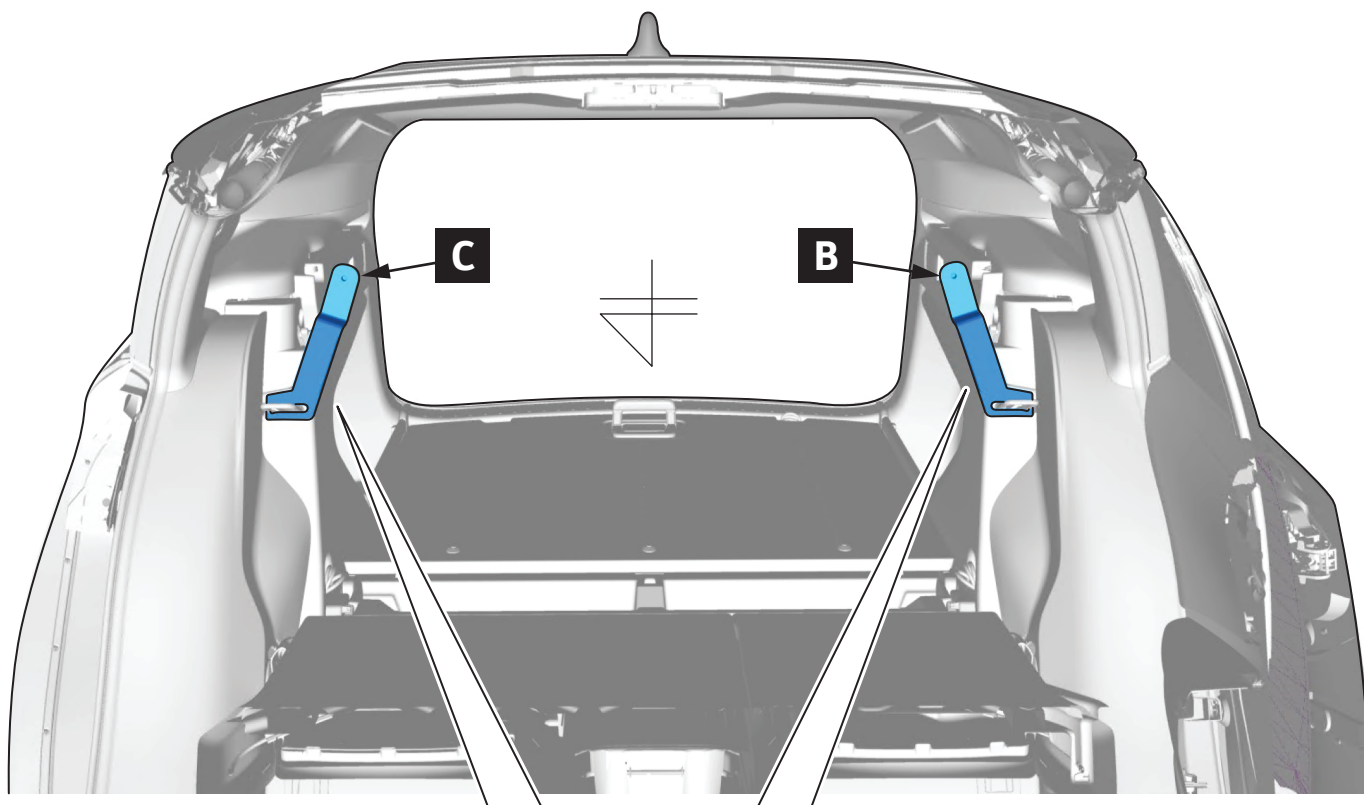
3



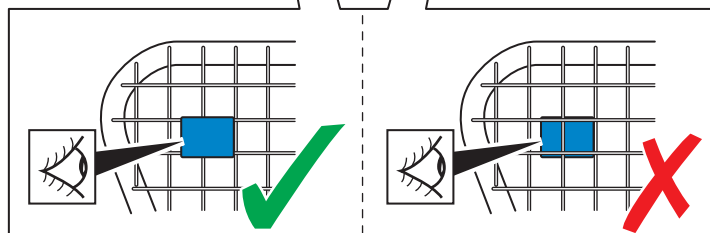
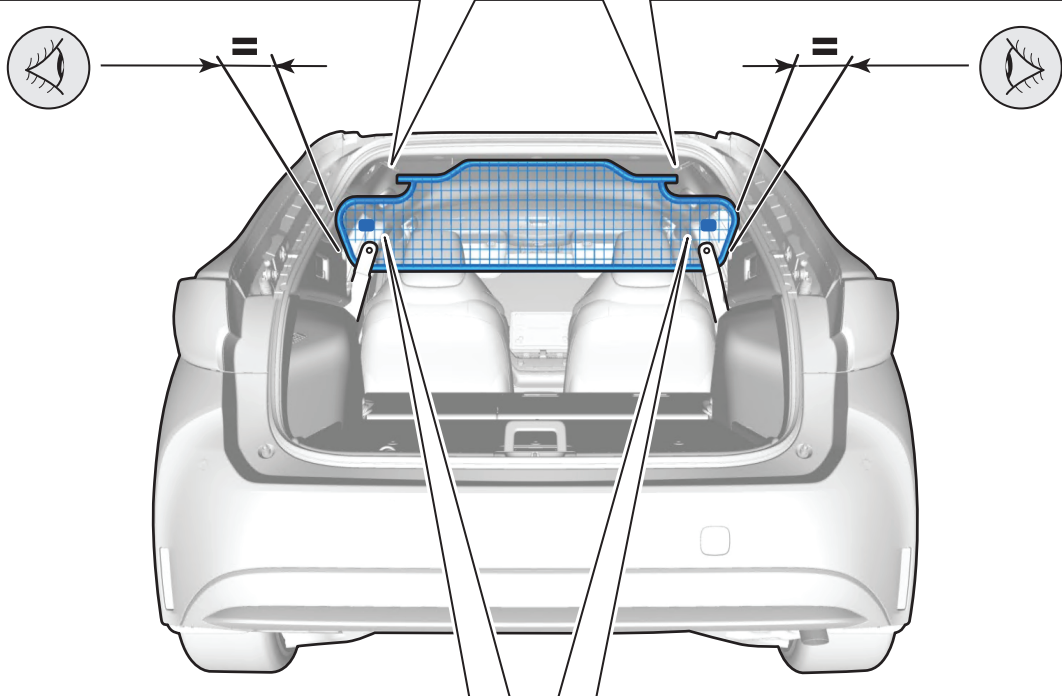
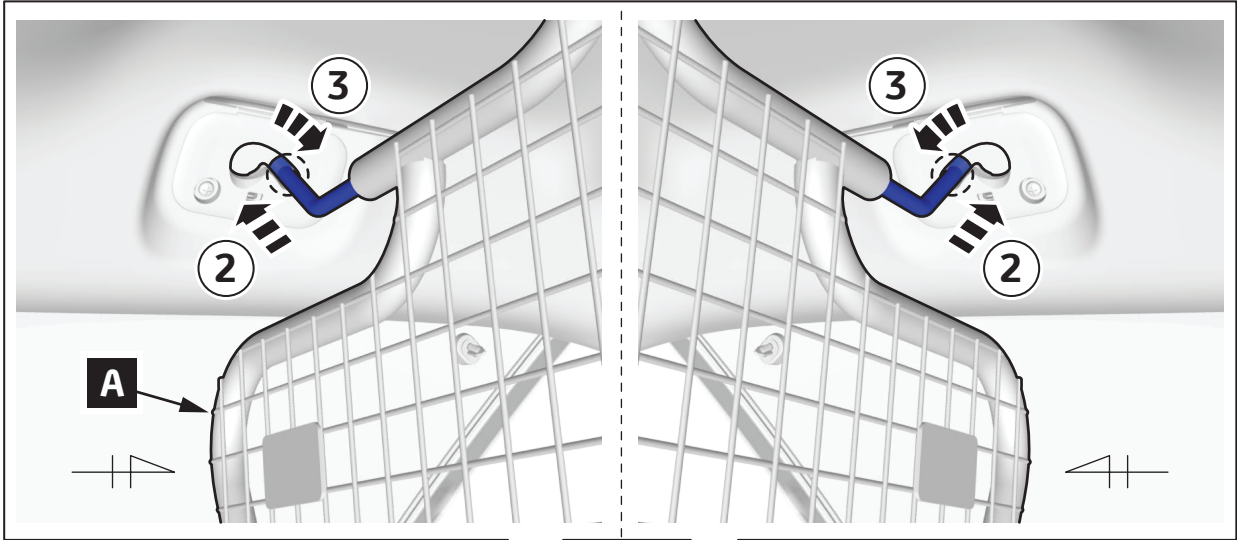
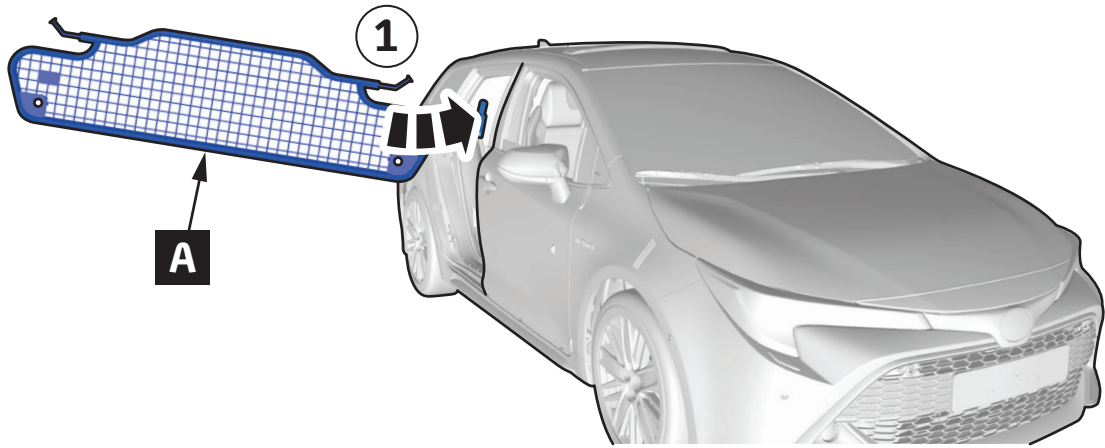
4



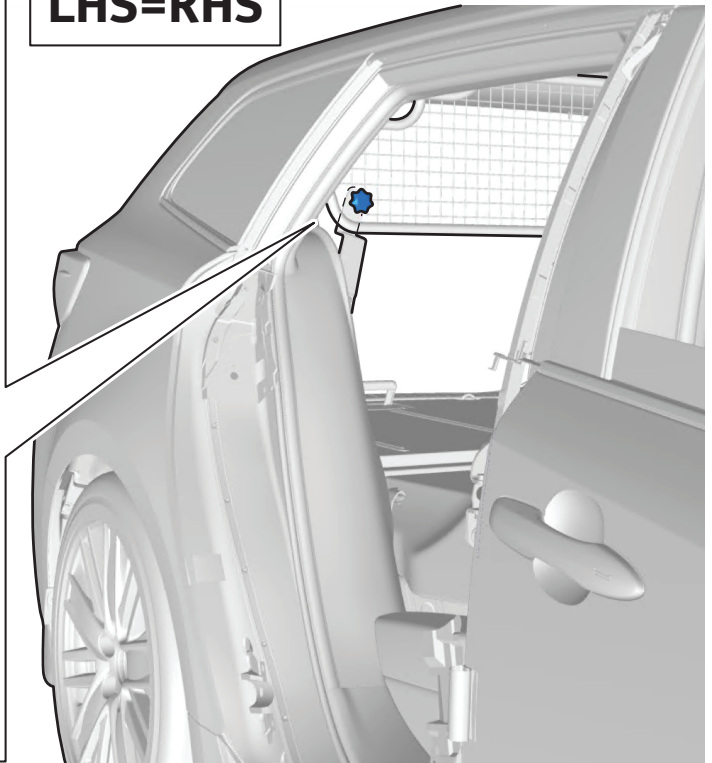
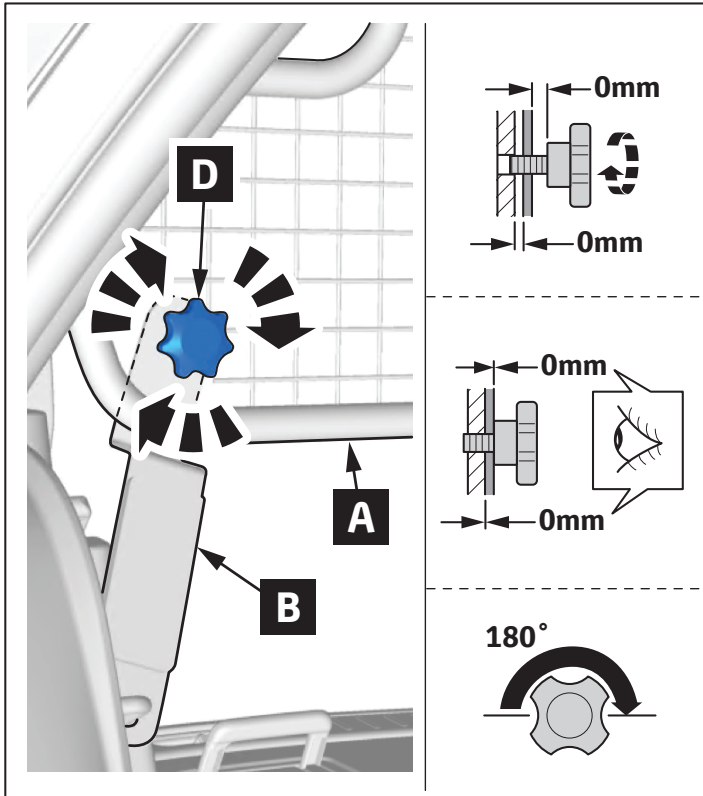
5



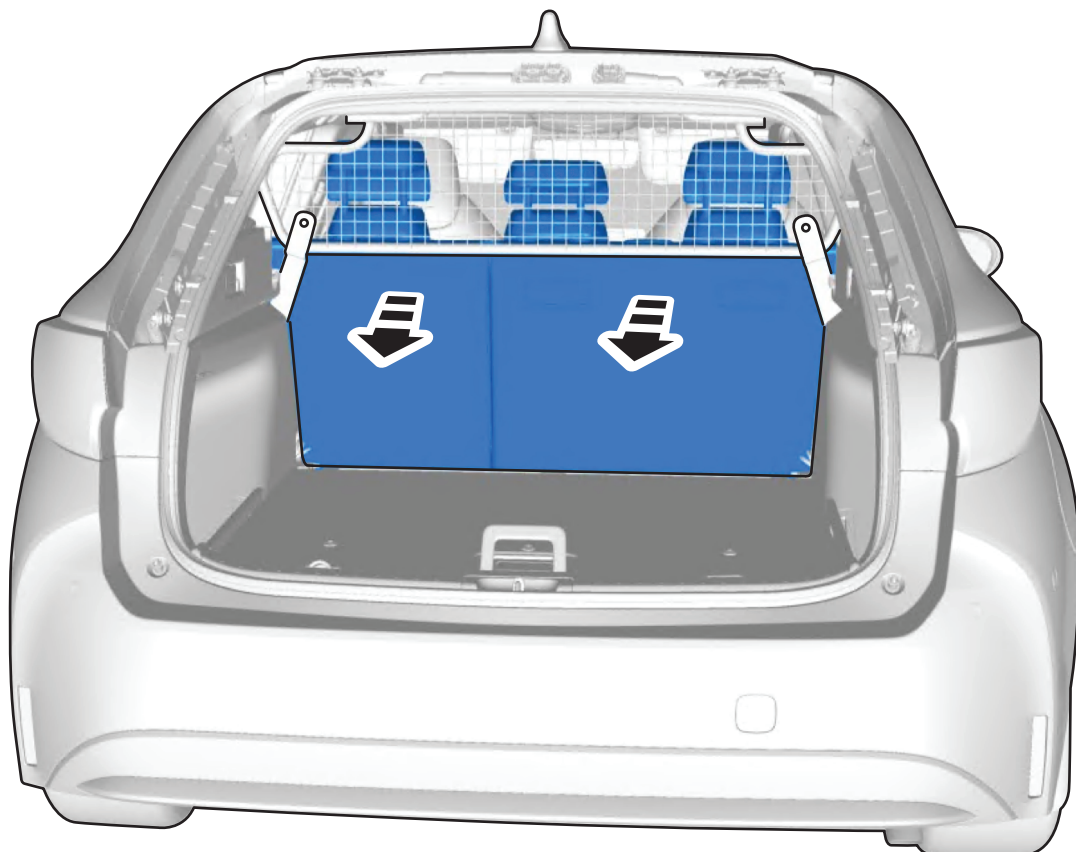
6



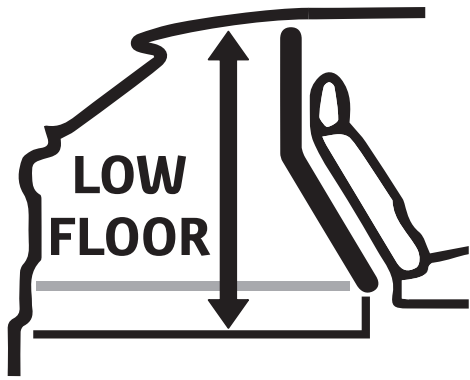
LHS=RHS



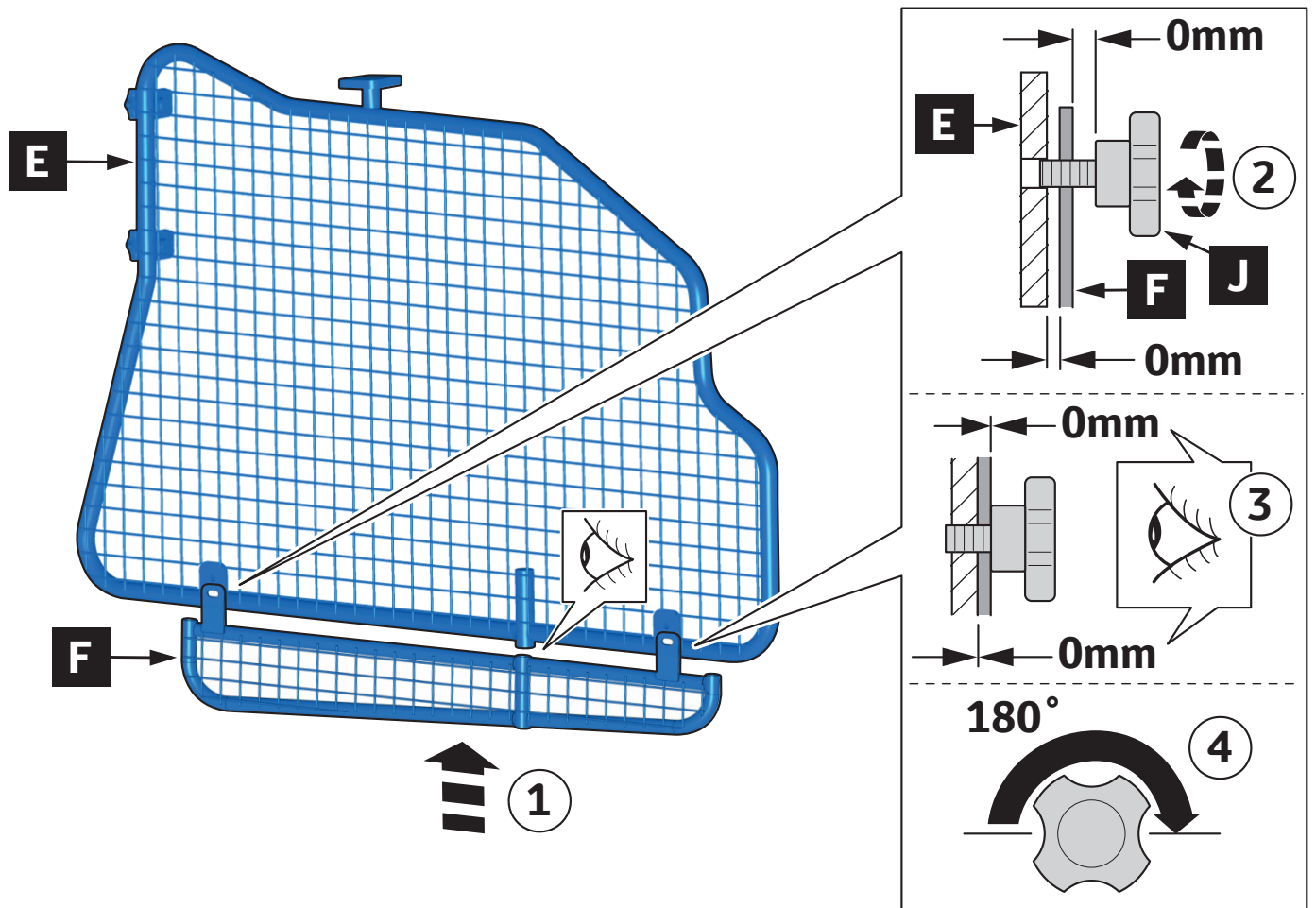
8



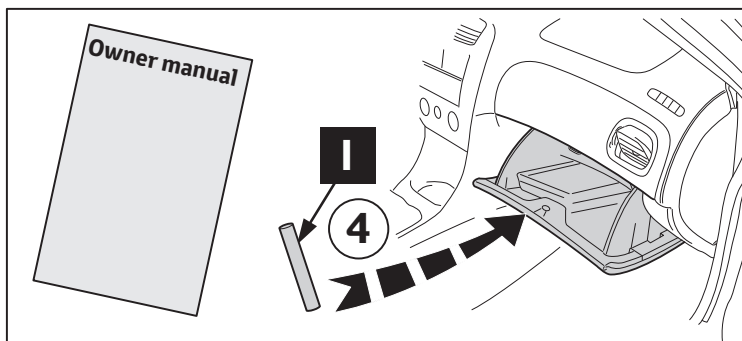
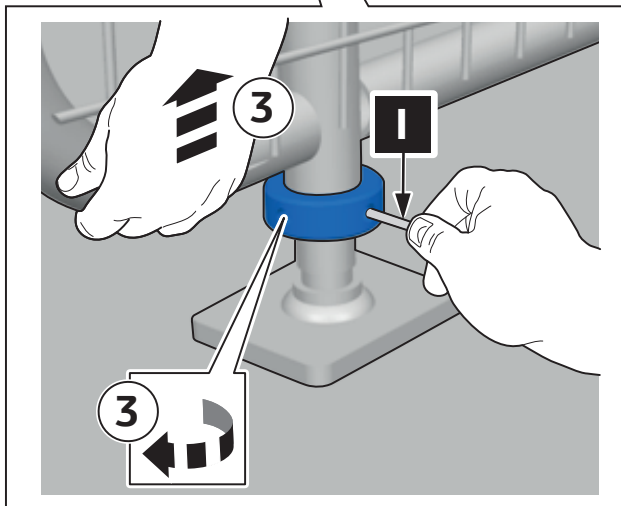
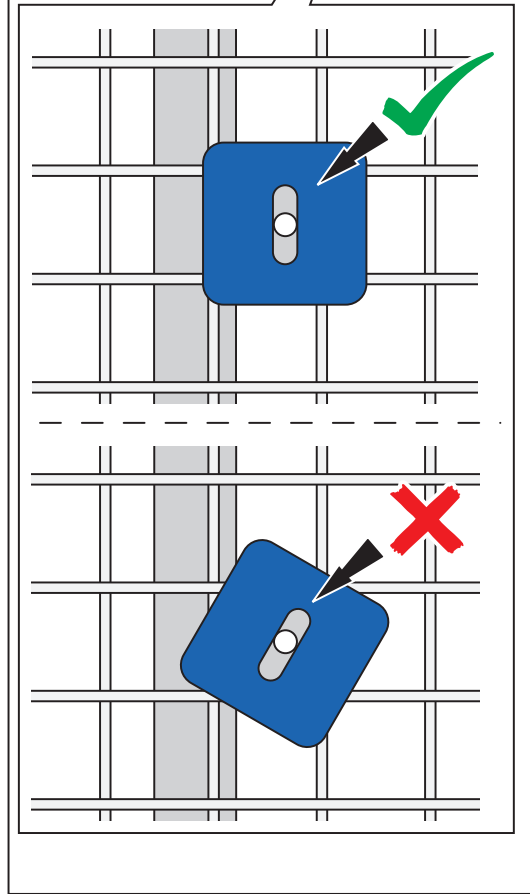
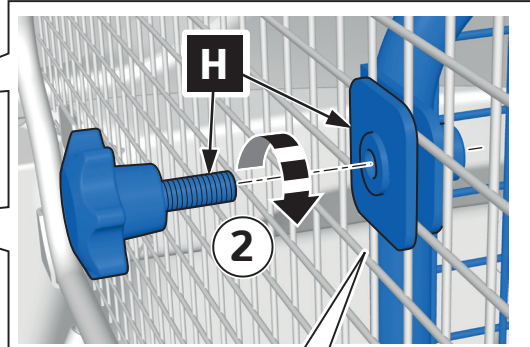
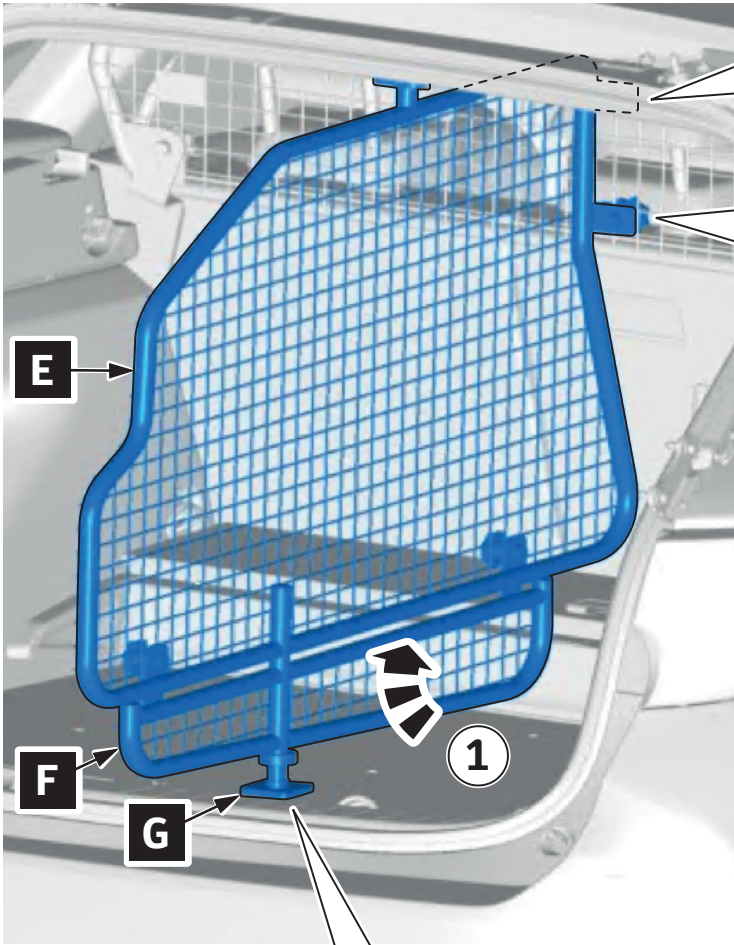
9

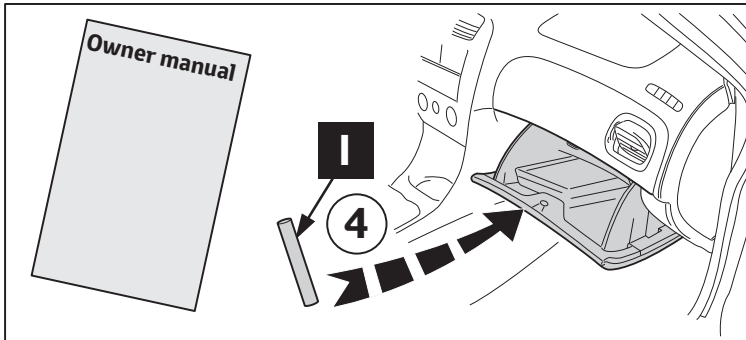
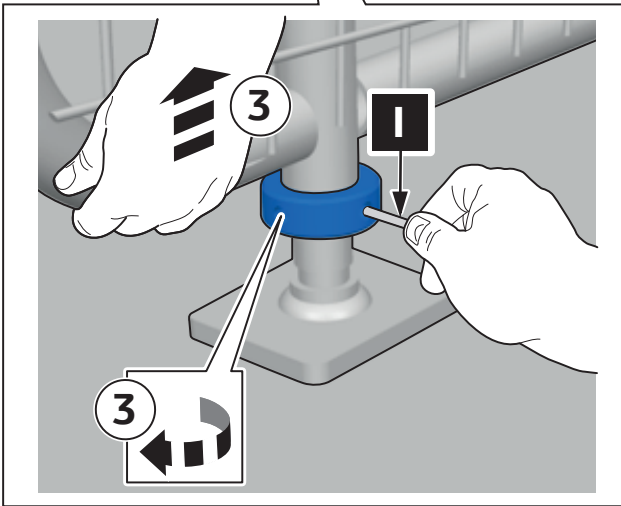
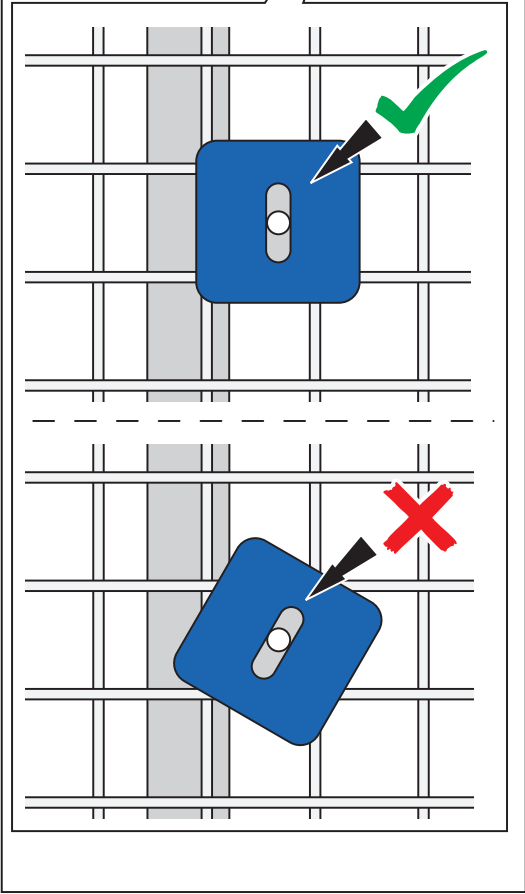
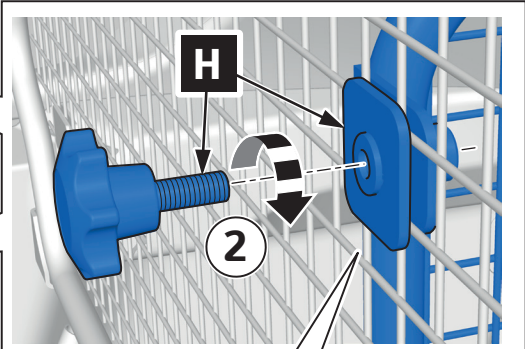
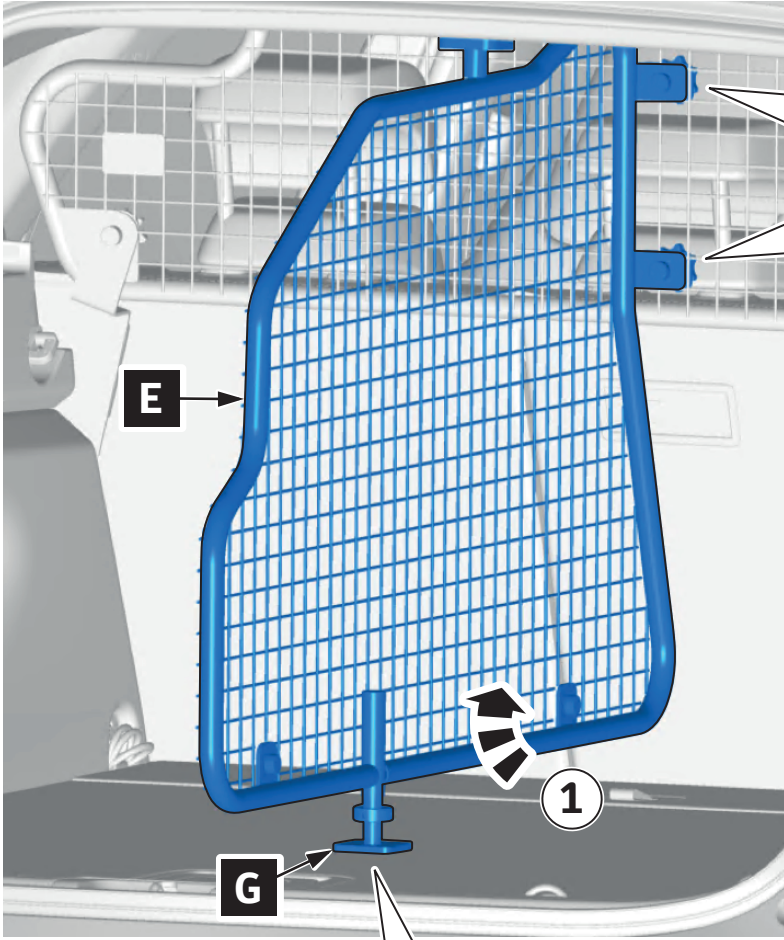


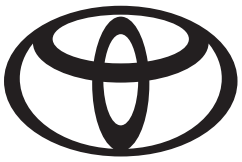
10



11





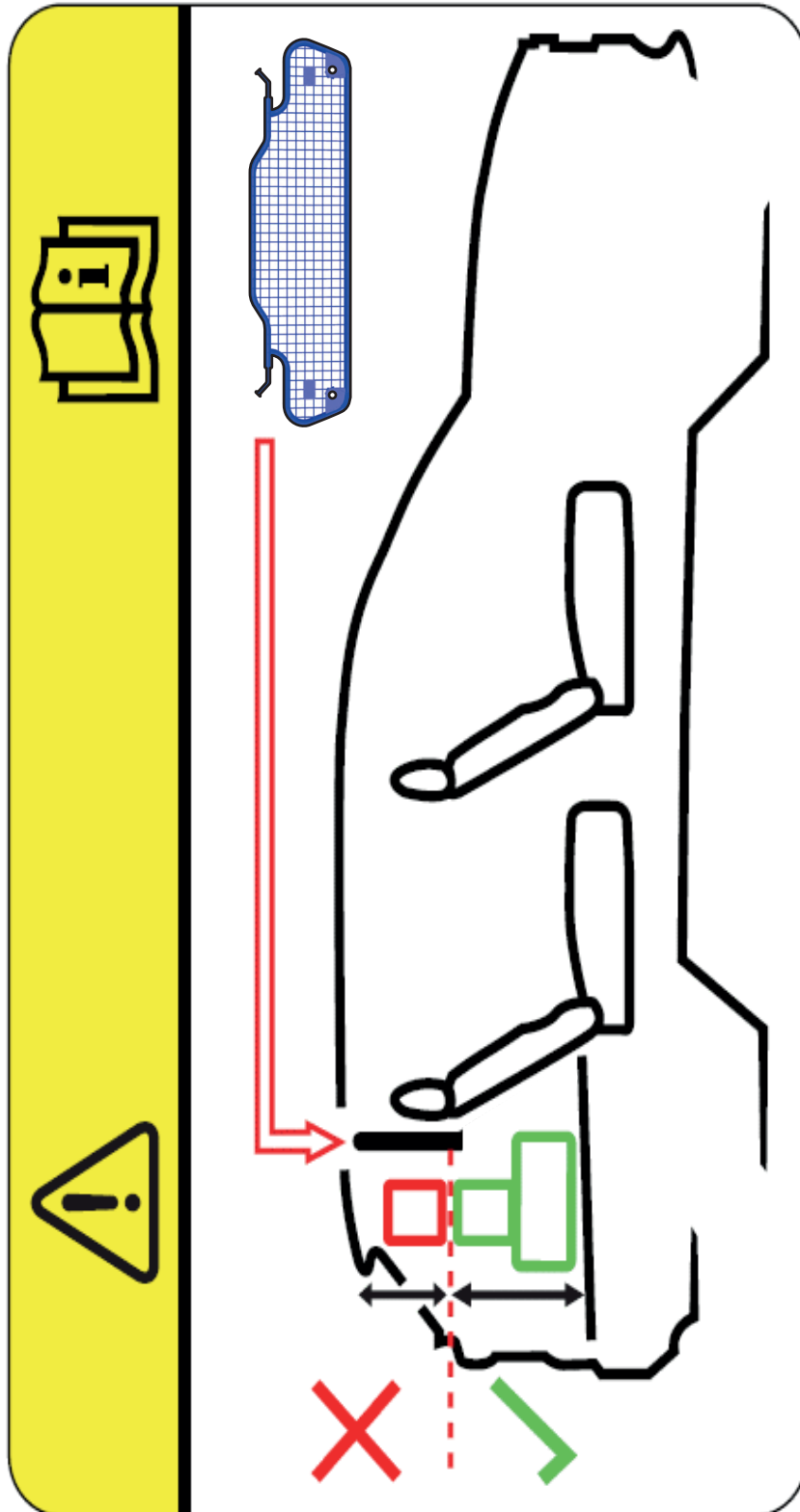


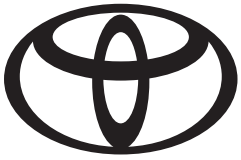
OWNERS MANUAL

Model / Year

Corolla TS
As from 2019/02

Dog Guard
with Divider





CHECK SHEET

Page 1 of 2

Model/Year **Corolla TS**
As from 2019/02

Dog Guard
with Divider

VINn°

DURING INSTALLATION

1

P/N = OK

2

= OK

= OK

= OK

= OK

DURING INSTALLATION

2

3

2

4

AFTER INSTALLATION

Owner manual

2

1

2

Installation Date:

. . / . . /

Technician Name & Signature:

Stamp:

Manual reference number: AIM 006 104-3 13 of 13