



TOYOTA

ALWAYS A
BETTER WAY

GT86

Direct brake line

Installation instructions

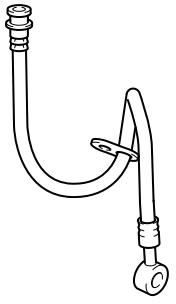
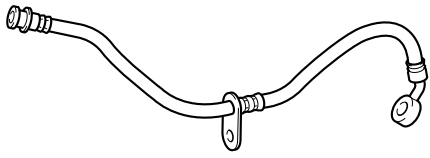

Model year: 2012/03
Vehicle code: ZN6-AK** ZN6-AL**
Part number: MS227-18001


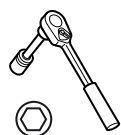
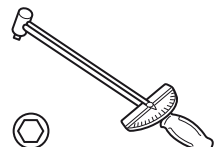
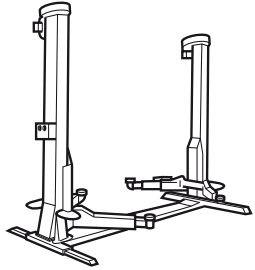
Manual reference number: AIM 002 798-0

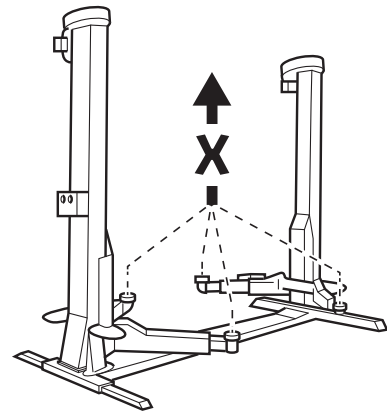
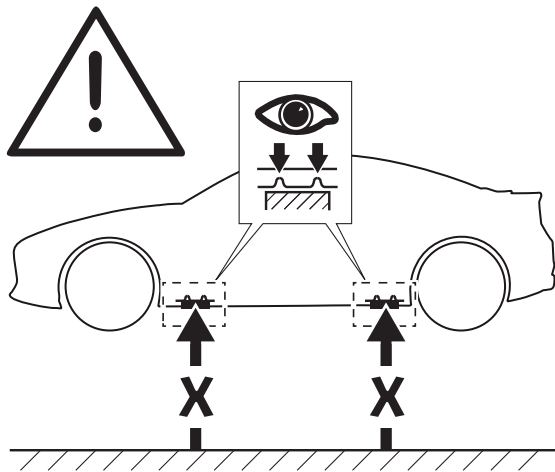
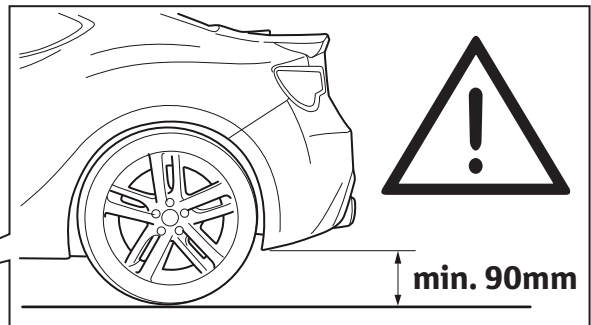
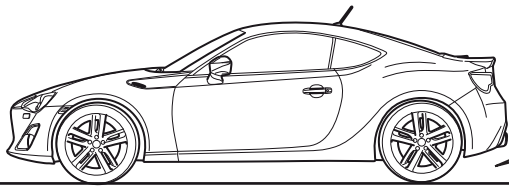
Revision Record

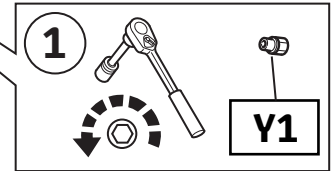
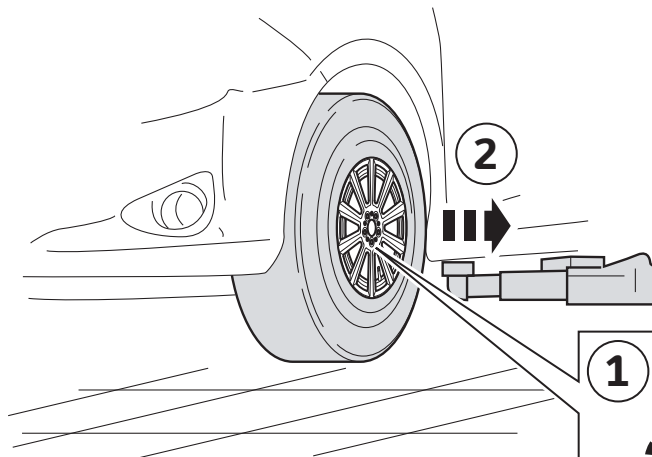
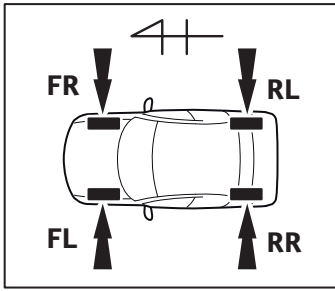
Rev. No.	Date	Page	Picture	Update	New	Deleted steps

MS227-18001

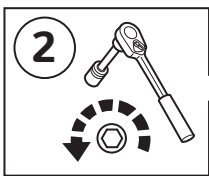
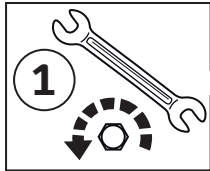
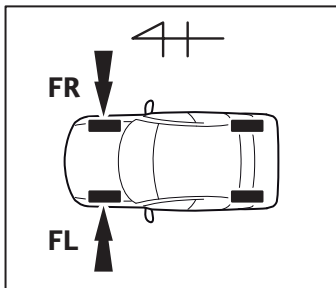
	2x		2x		8x
A		B		C	

			
---	---	---	---





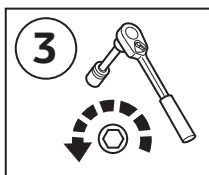
1



Z2

4

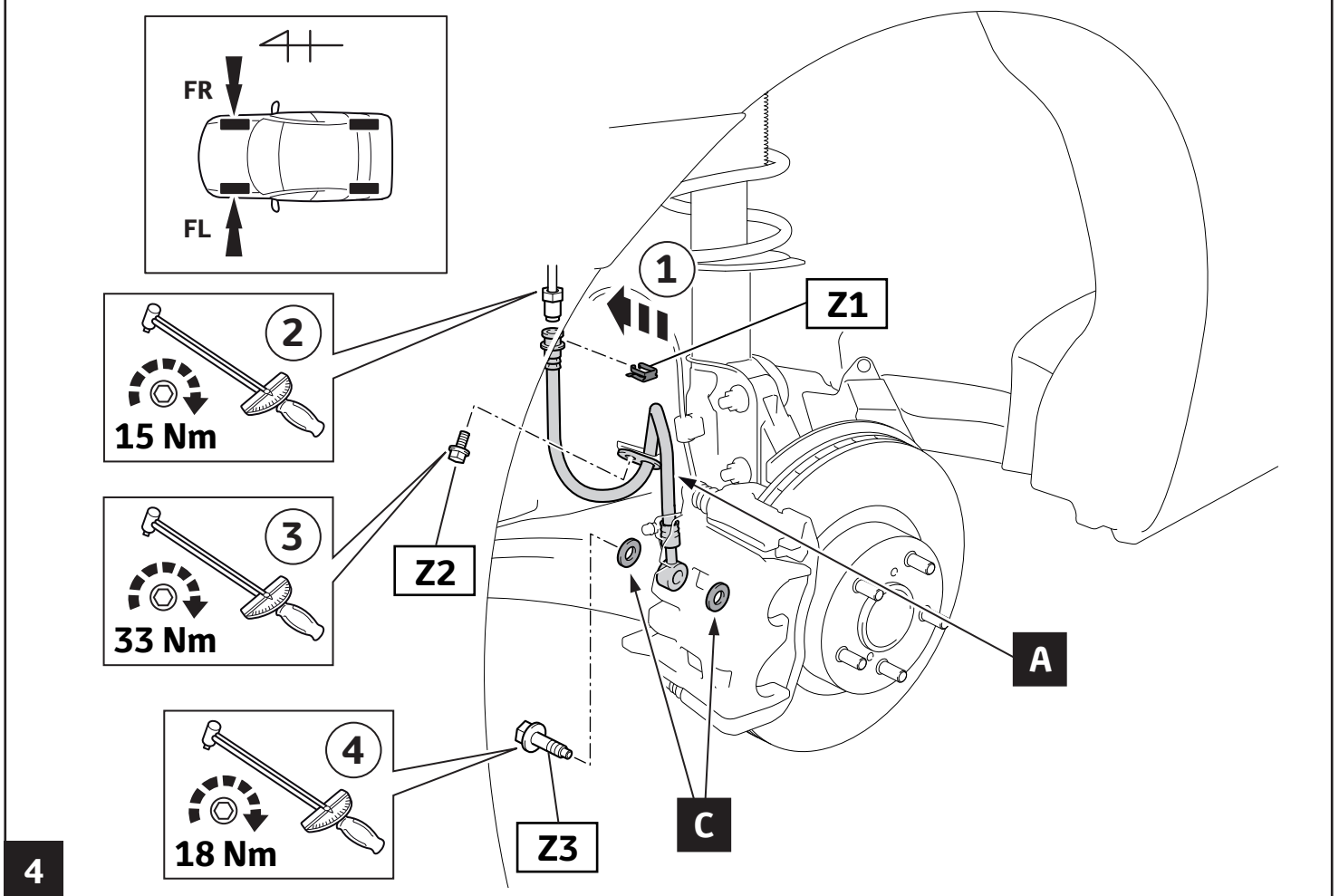
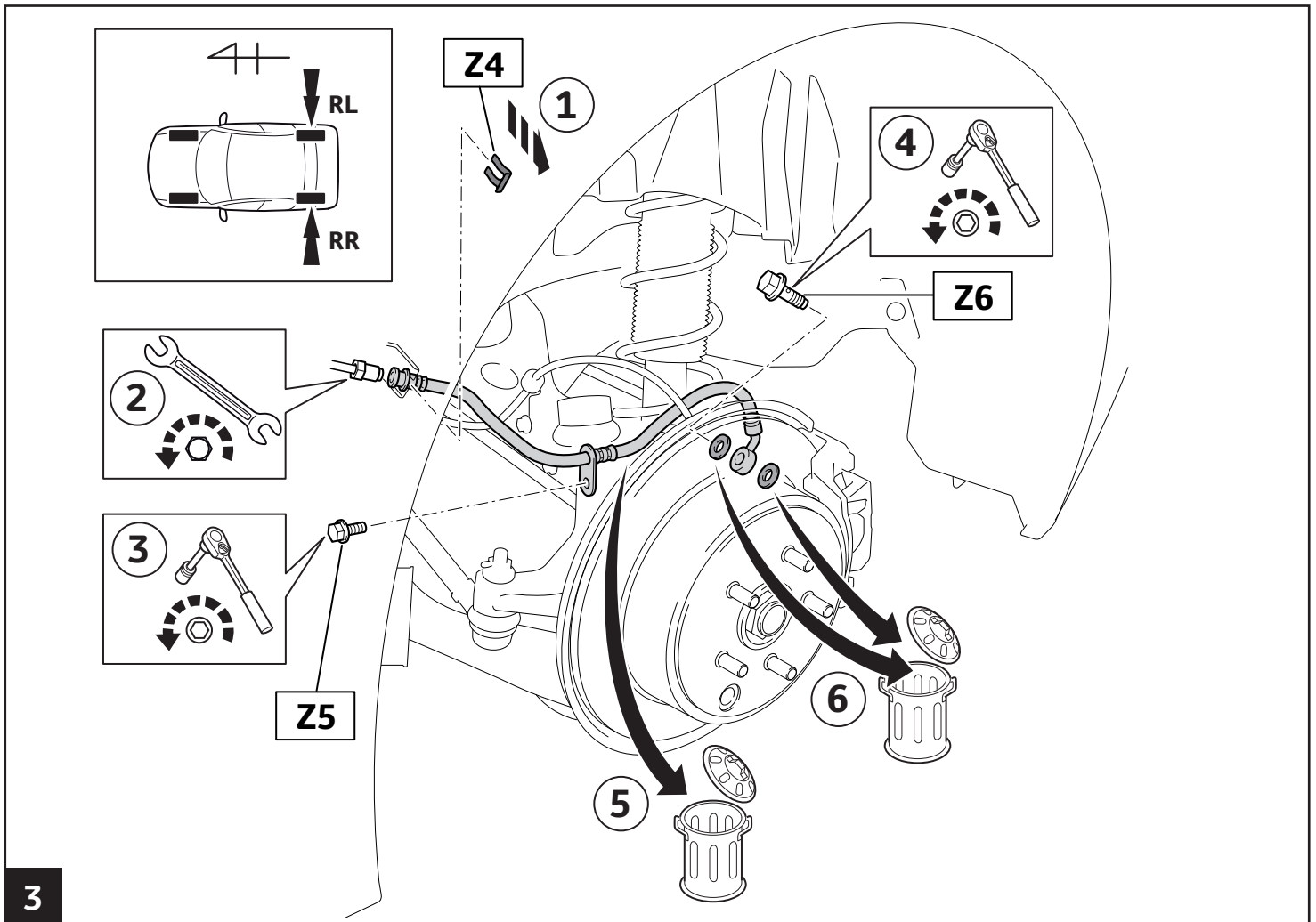
Z1

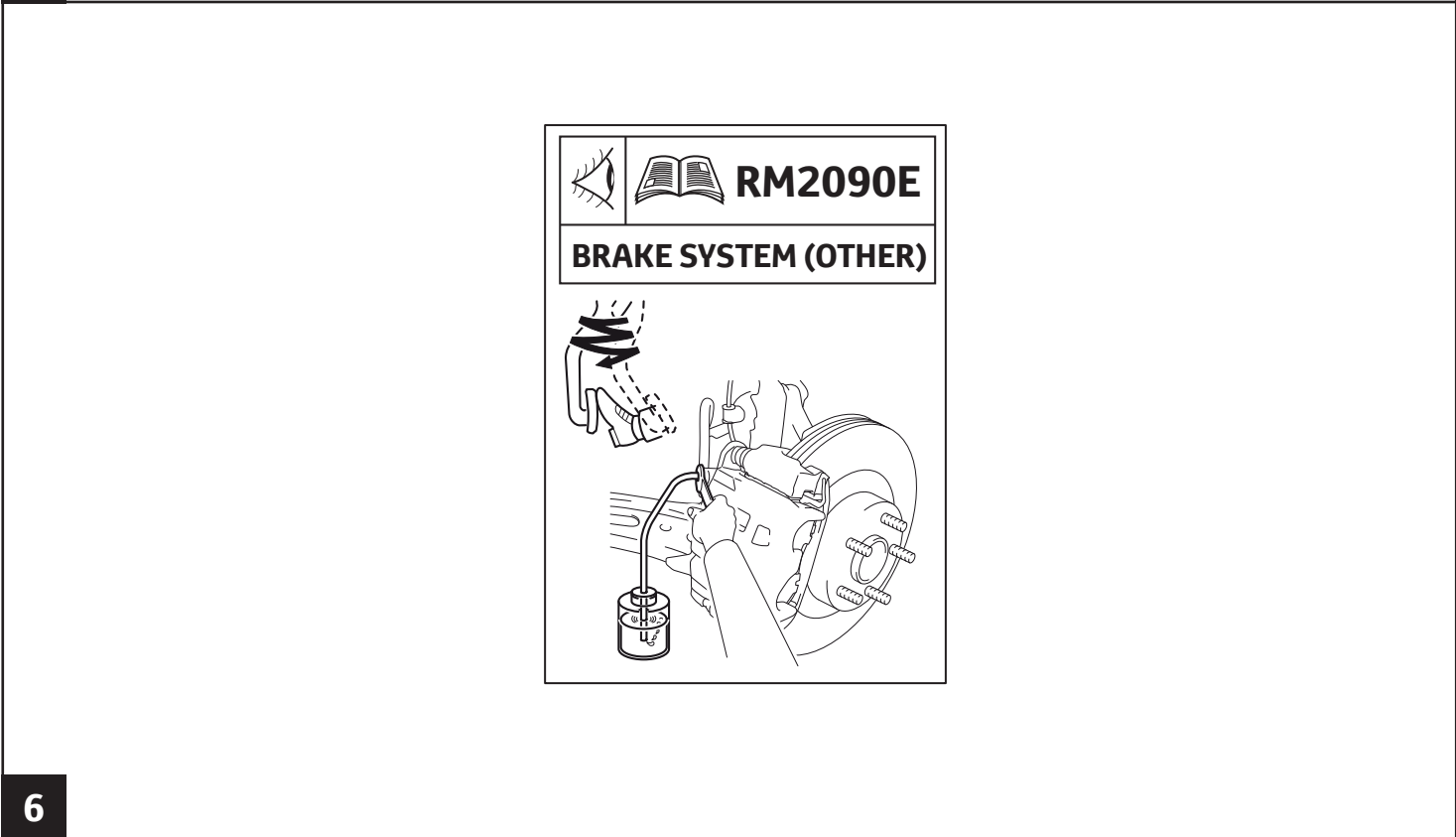
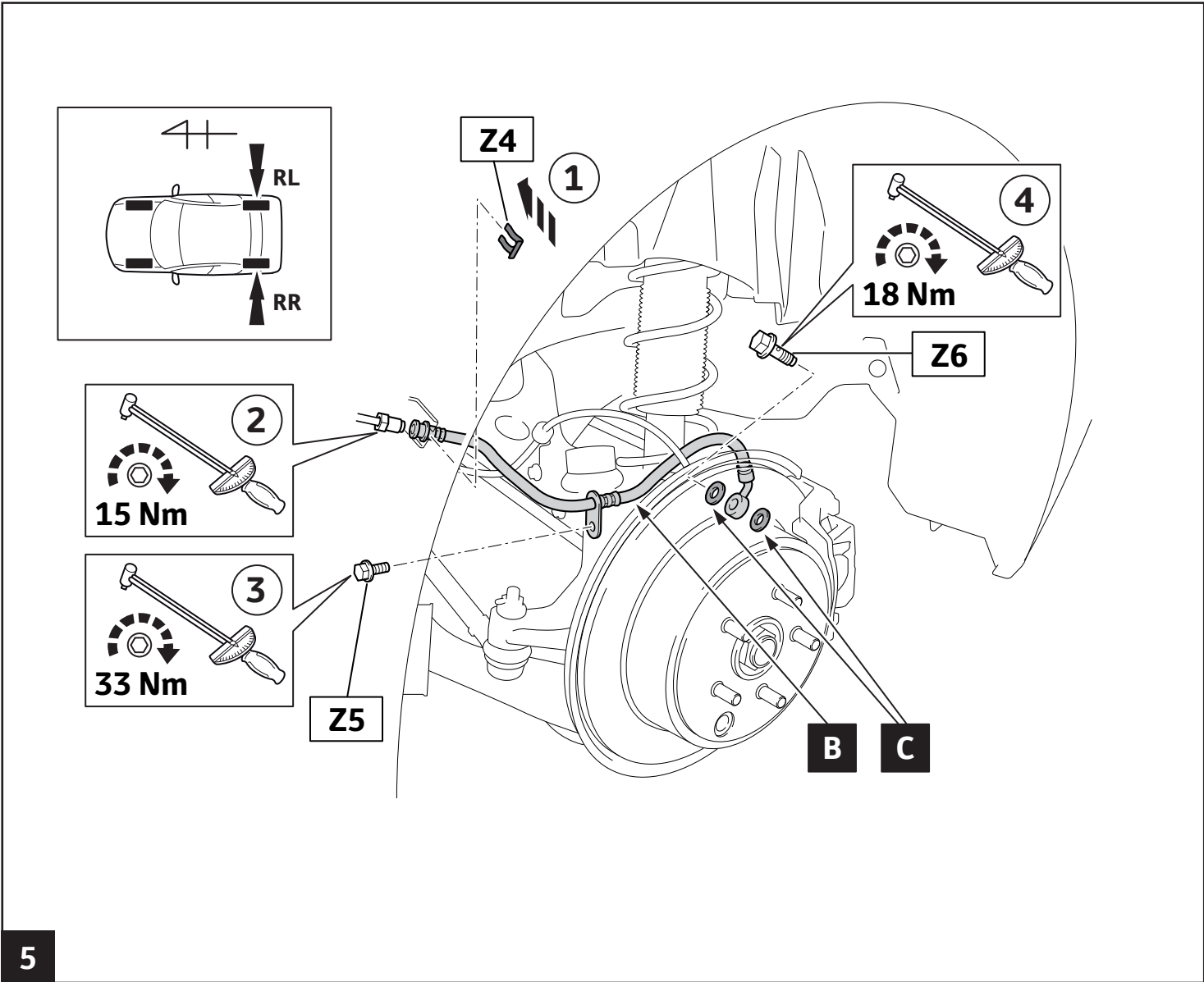


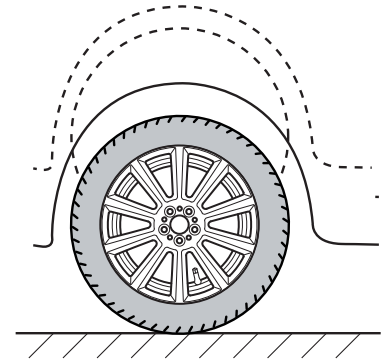
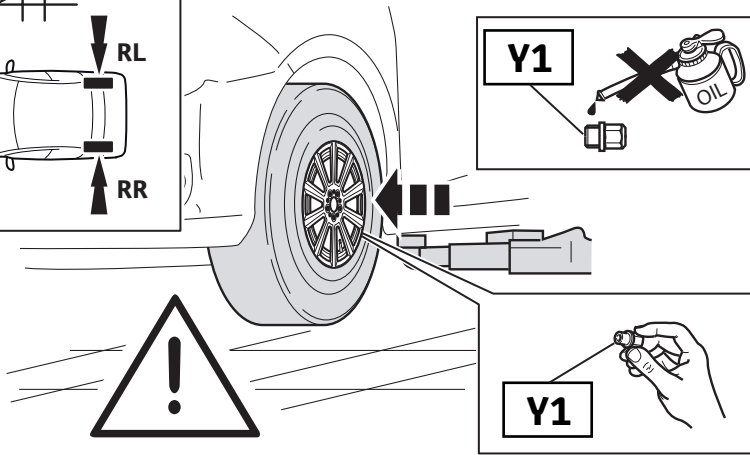
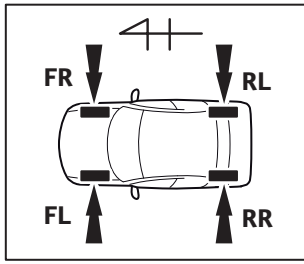
Z3



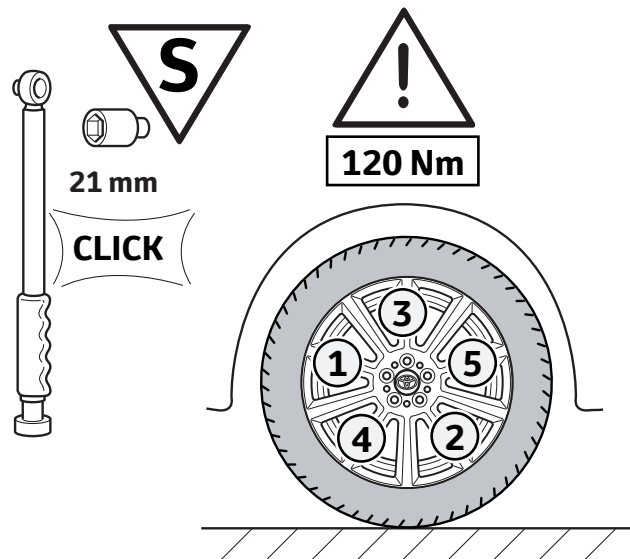
2







7



8