



**TOYOTA**

ALWAYS A  
BETTER WAY

# RAV 4

## Roof Rail

Installation instructions

Model year: 2012/12, 2015/09

Vehicle code: \*\*A4\*\*-AN\*\*\*W

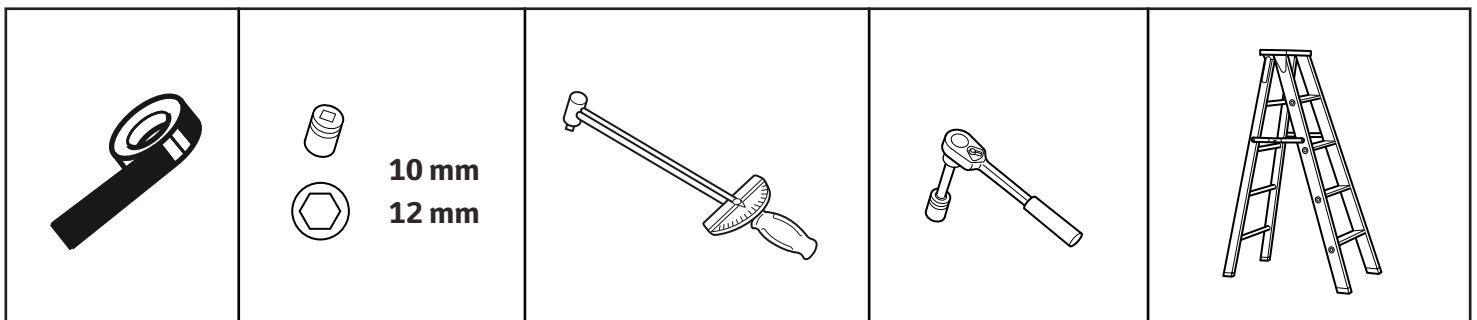
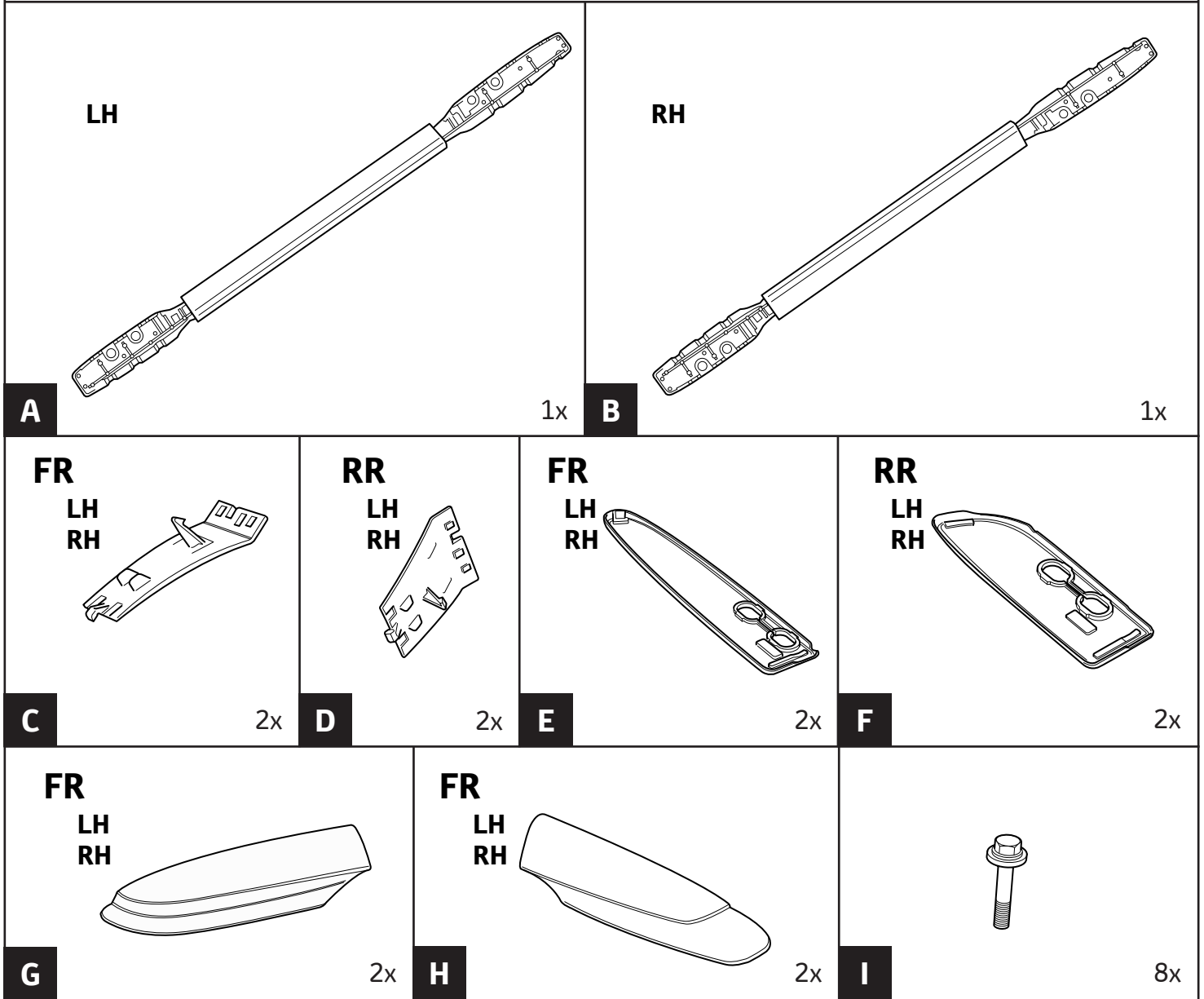
Part number: 63401-42080

Manual reference number: AIM 002 723 - 1

# Revision Record

Rev. No.	Date	Page	Picture	Update	New	Deleted steps
1	19-06-15	1 & 8			Model year	

63401-42080



LH

FR LH

RH

FR RH

A

RR LH

B

RR RH

1

FR LH

FR RH

2

C

1

3

Click

2

FR LH

FR RH

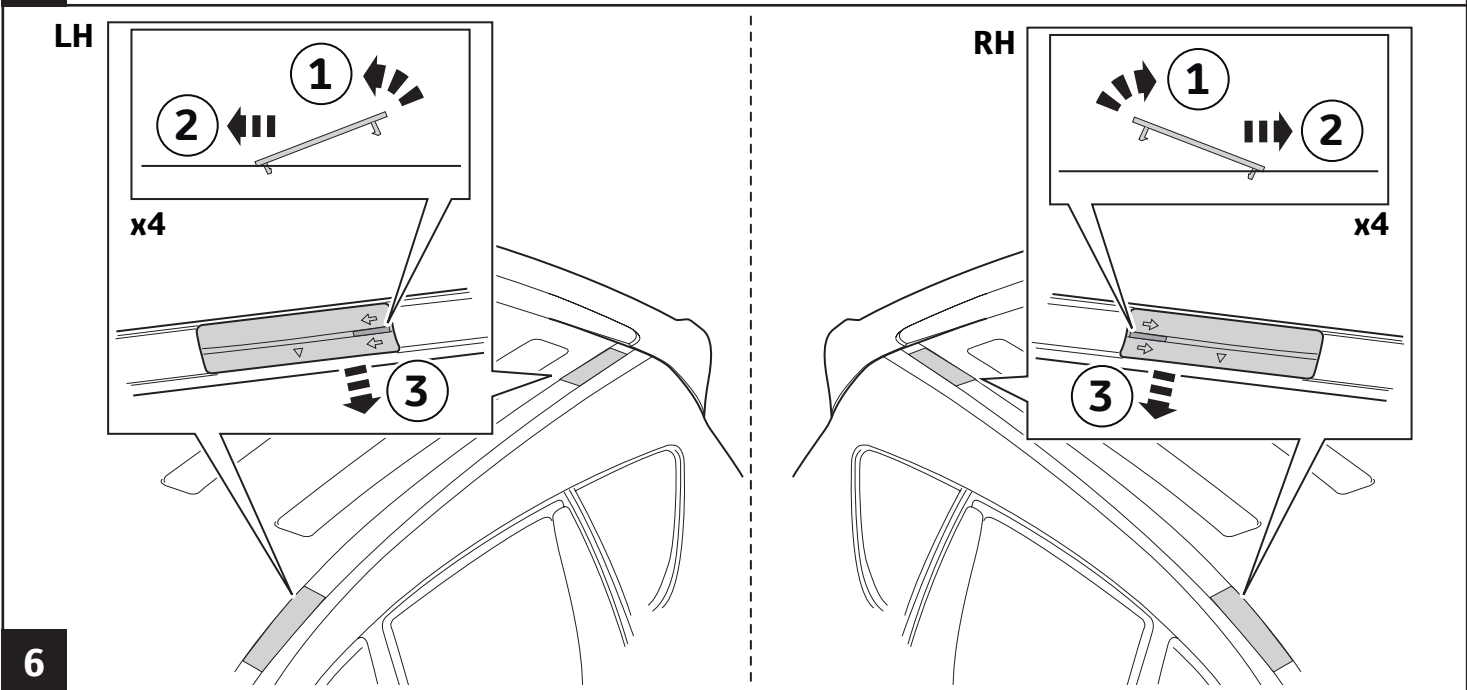
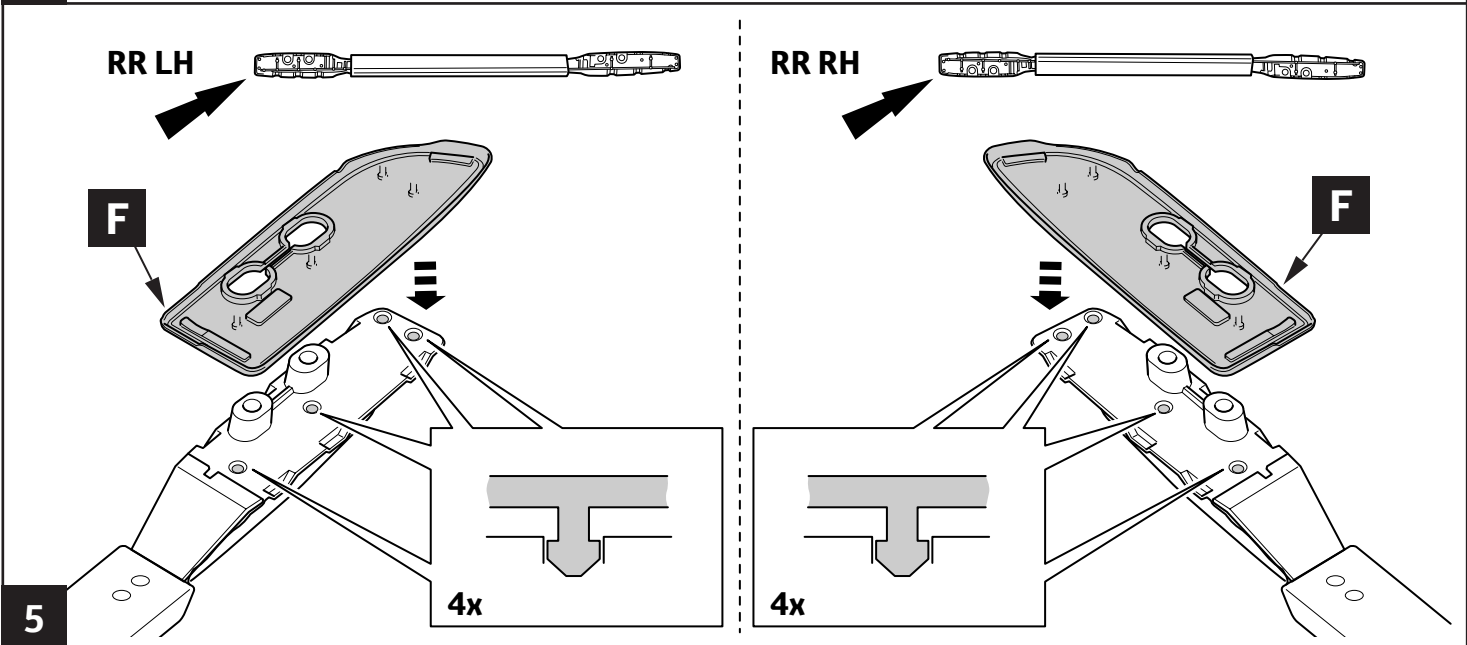
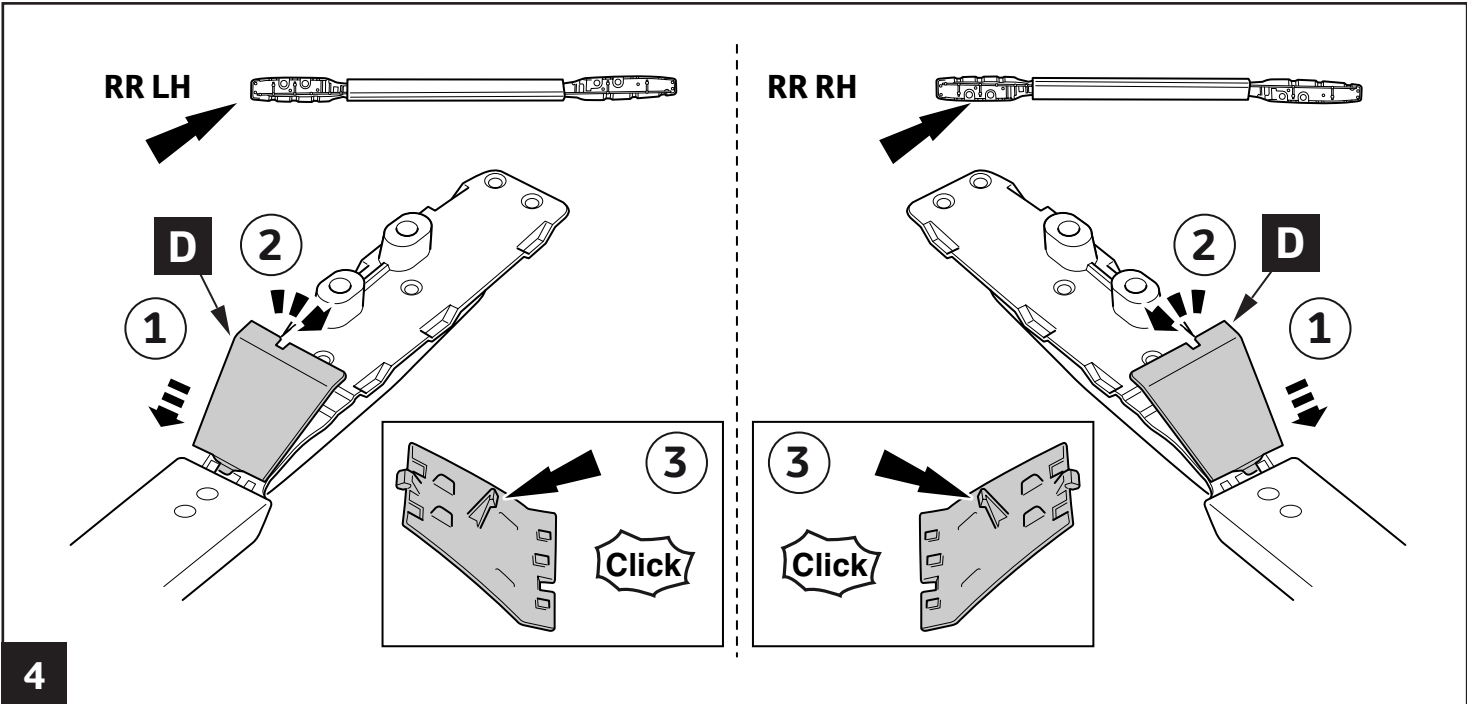
E

E

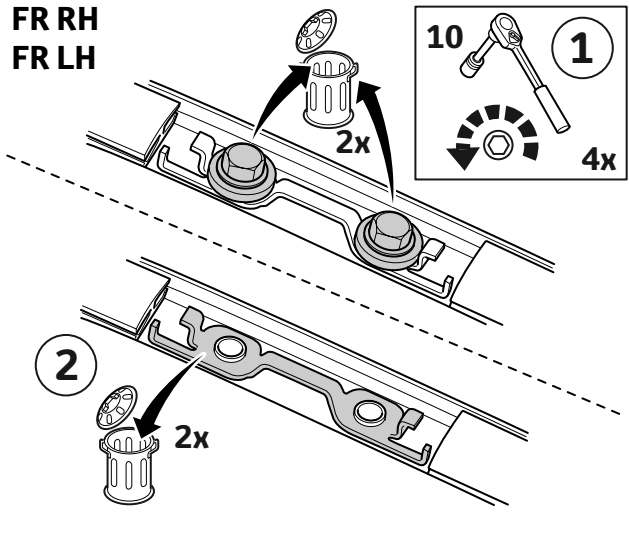
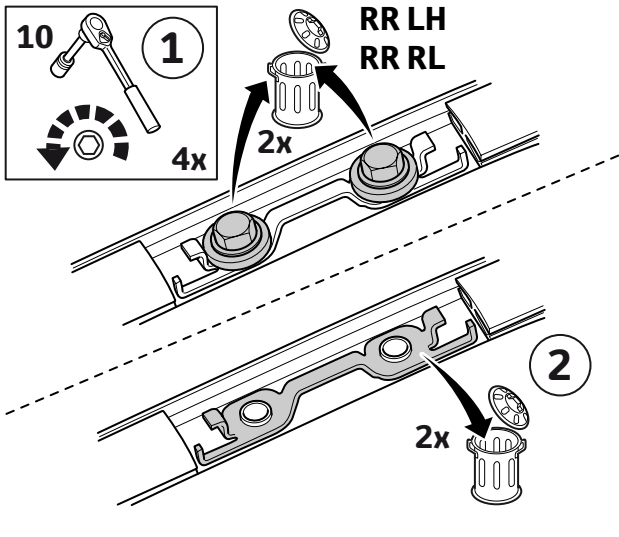
4x

4x

3

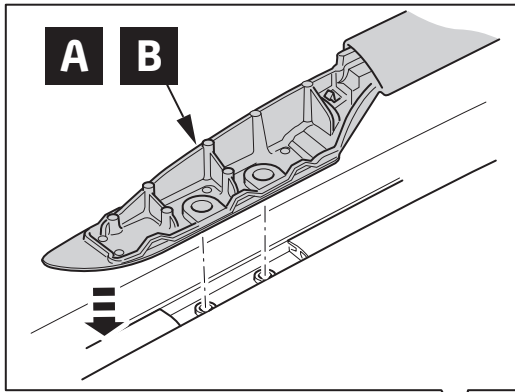


7

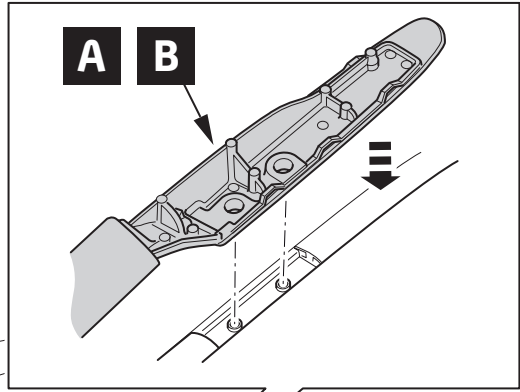


8

RR LH  
RR RH

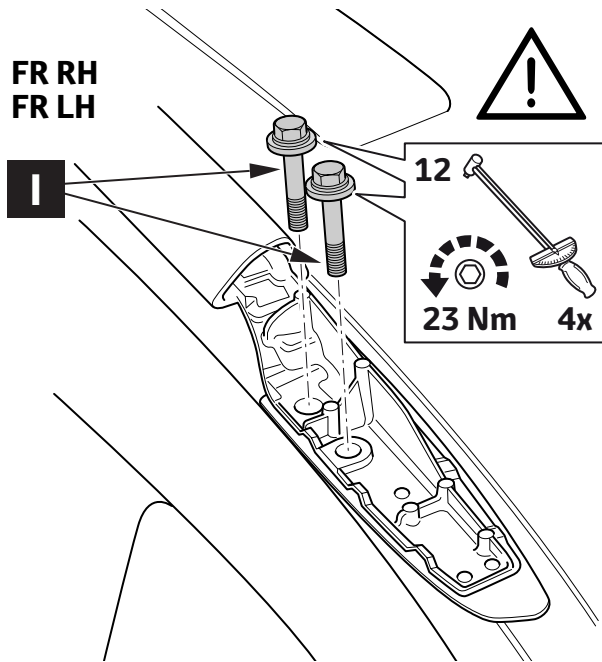


FR LH  
FR RH

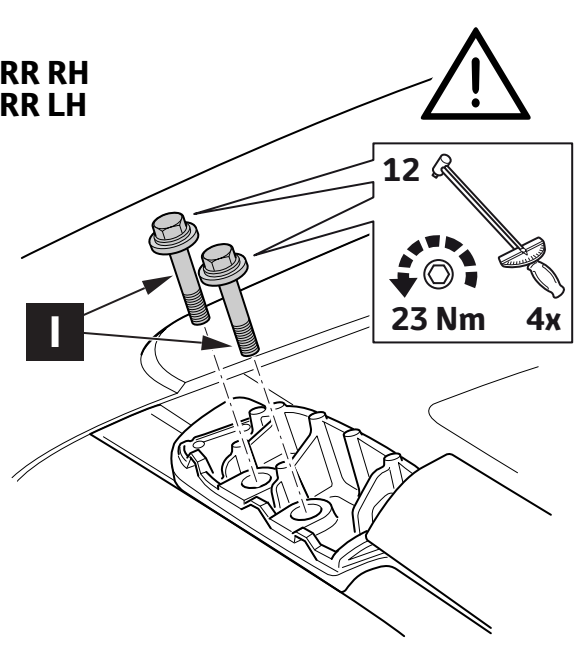


9

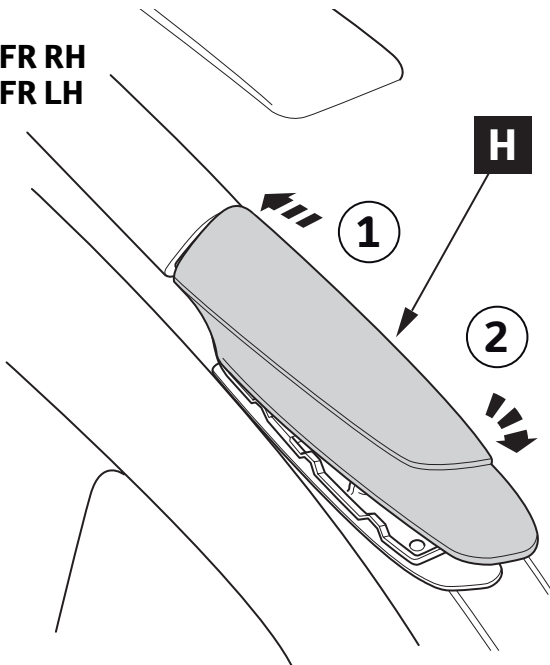
FR RH  
FR LH



RR RH  
RR LH



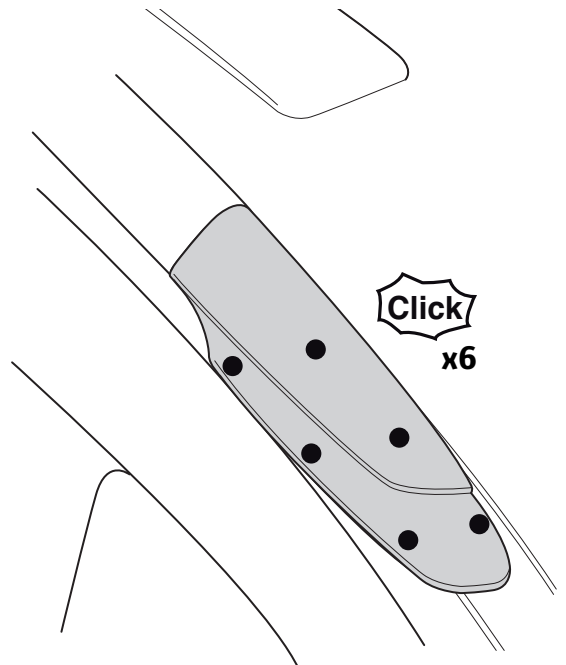
FR RH  
FR LH



**H**

1

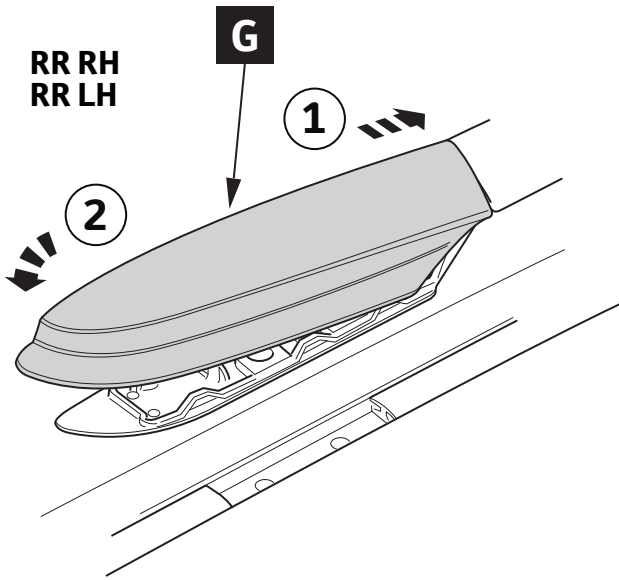
2



Click  
x6

10

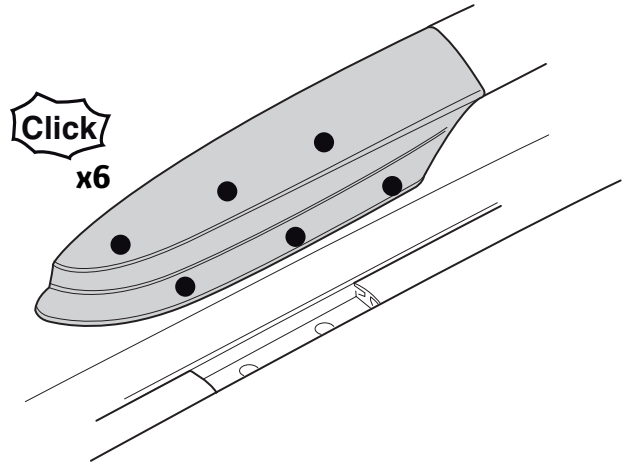
RR RH  
RR LH



**G**

1

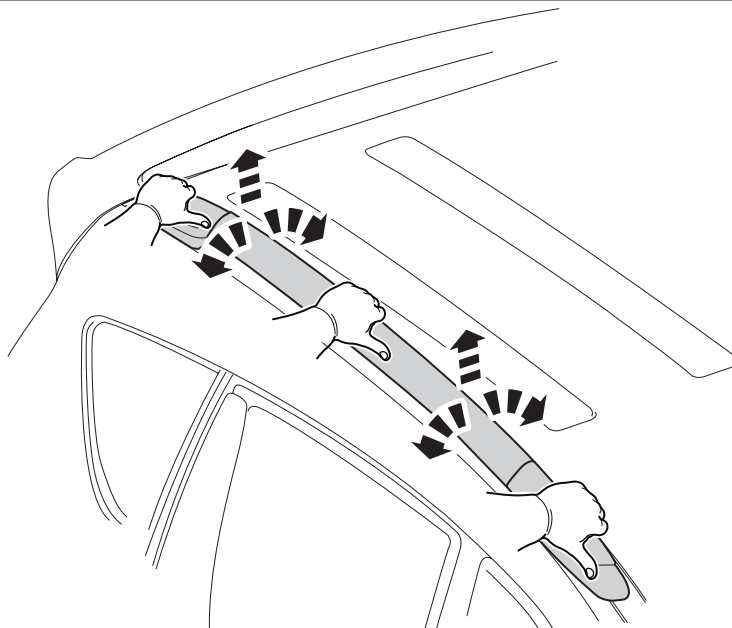
2



Click  
x6

11

RH  
LH



12

# CHECK SHEET



**TOYOTA**

**Model / Year** RAV4  
2012/12, 2015/09

**Roof Rails**

**VIN n°**

ALWAYS A  
BETTER WAY

**P/N = OK**

**Installation Date:**

.. / .. / ..

**Technician Name & Signature:**

**Stamp:**