

Wind deflectors INSTALLATION INSTRUCTIONS NX

Model year as from 2021/09

Vehicle code AAZ****-AW*LBW

TAZA25L-AWZLTW

MAZA20L-AWXLBW

Part number PW162-78000

PZ415-00000-00

Front & Rear Set

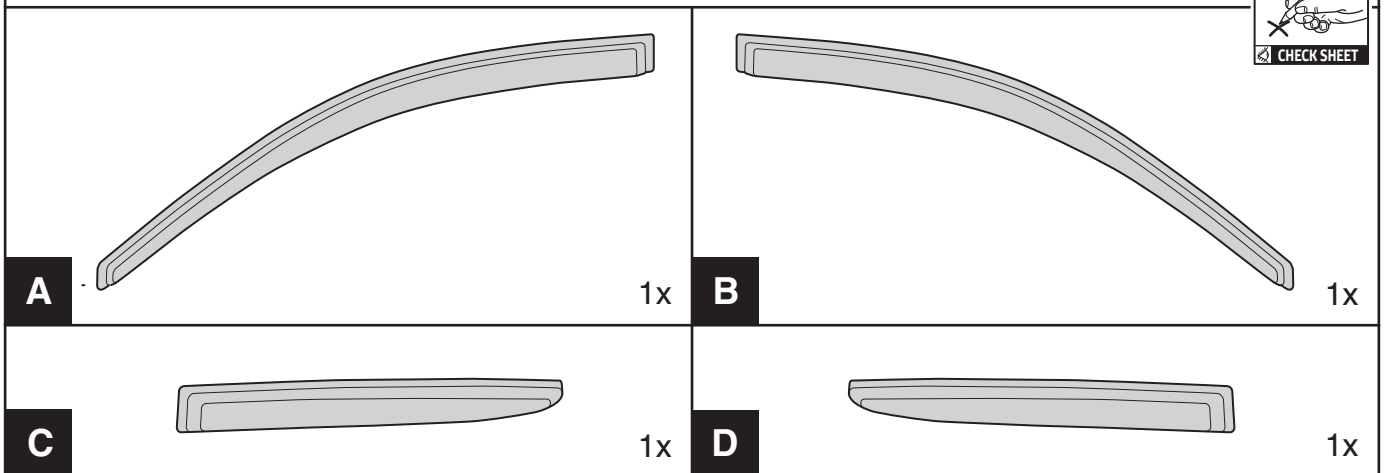
Adhesion Promoter Qty 2

Revision Record

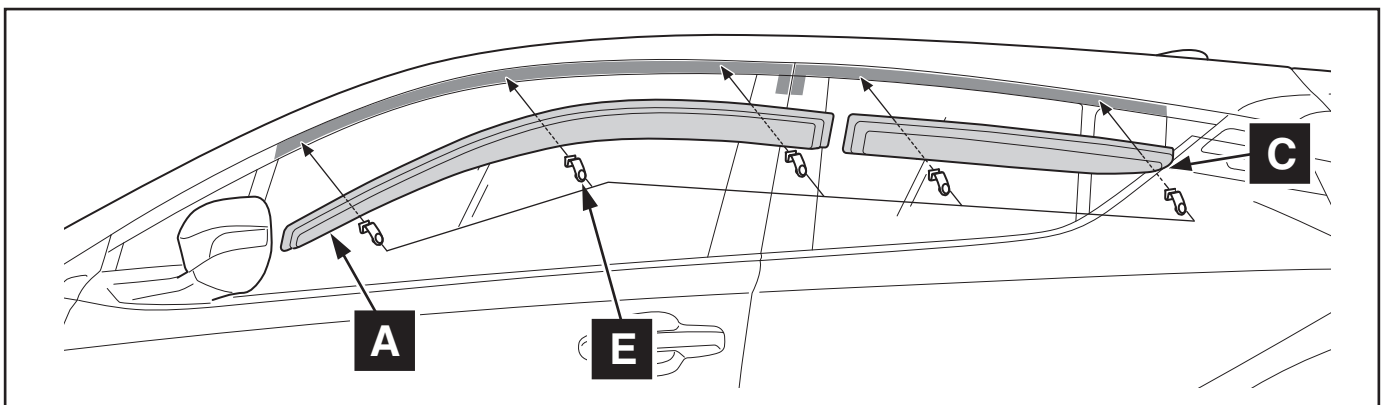
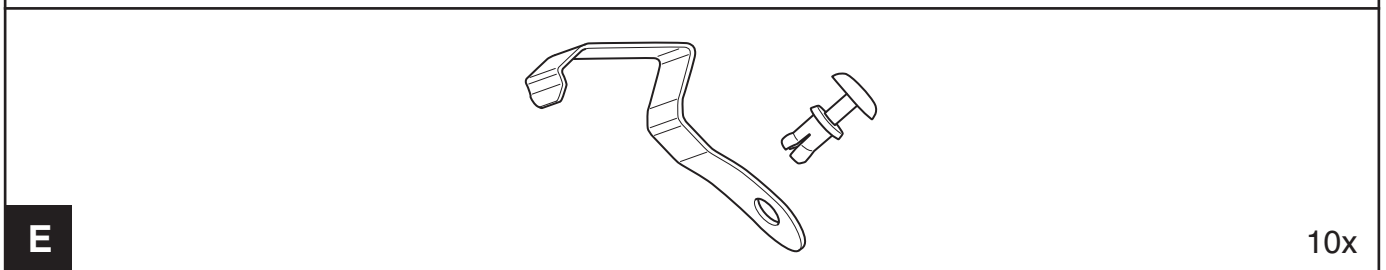
Rev. No.	Date	Page	Step	Remarks

KIT CONTENT

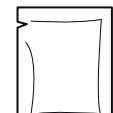

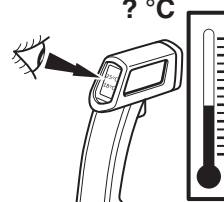
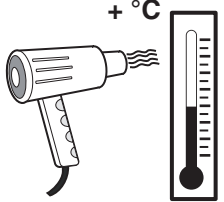
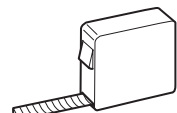

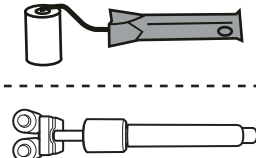
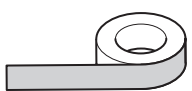
PW162-78000 Front Set & Rear Set & Fitting Kit



PW162-78001 Fitting Kit (Spare Parts)



TOOLS & CONSUMABLES

<p>PZ415-00000-00</p>  <p>Adhesion Promoter 3M 06396 2x</p>	 <p>CLEANER DEGREASER</p> <p>AIM 003 517-*</p>	 <p>? °C</p>	 <p>+ °C</p>
			 <p>Masking tape</p>

INFO

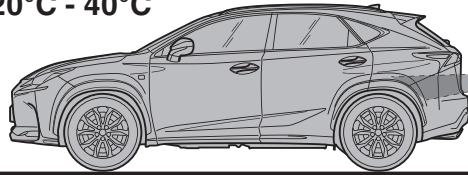


Material Safety Data Sheet

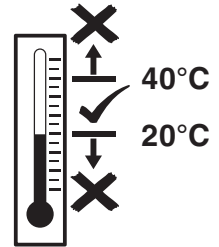
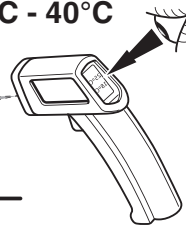


Technical Data Sheet

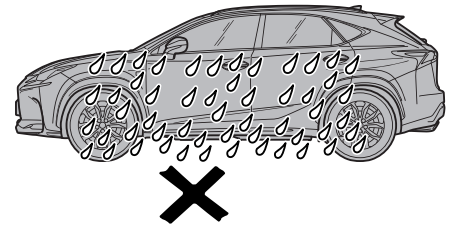
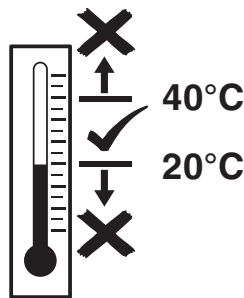
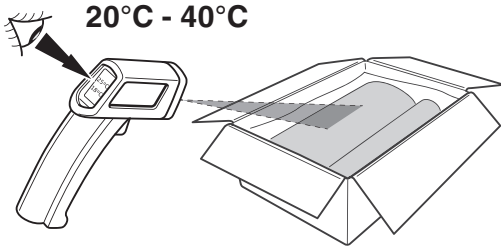
20°C - 40°C



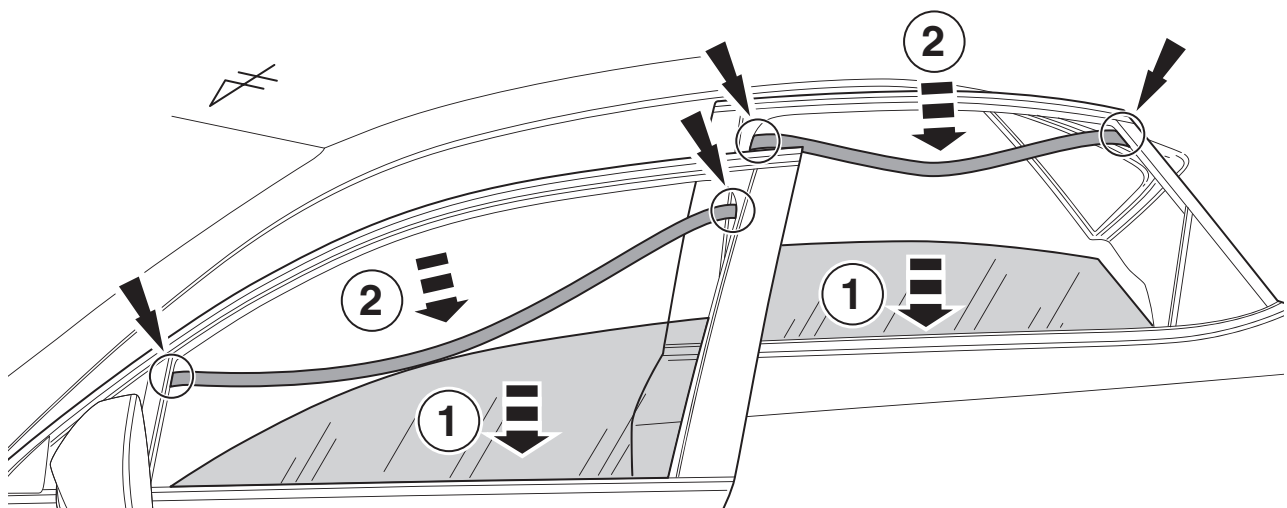
20°C - 40°C



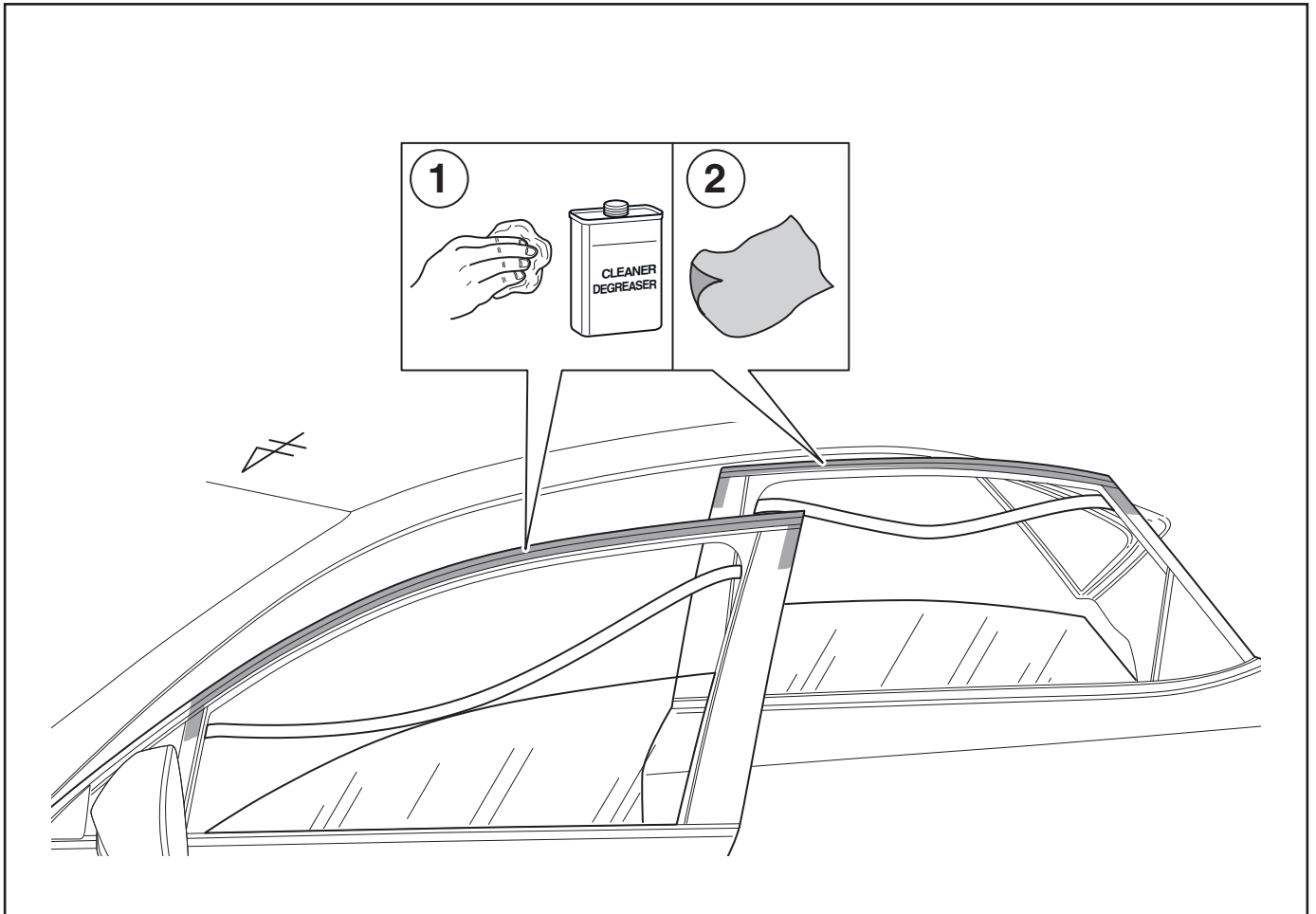
20°C - 40°C



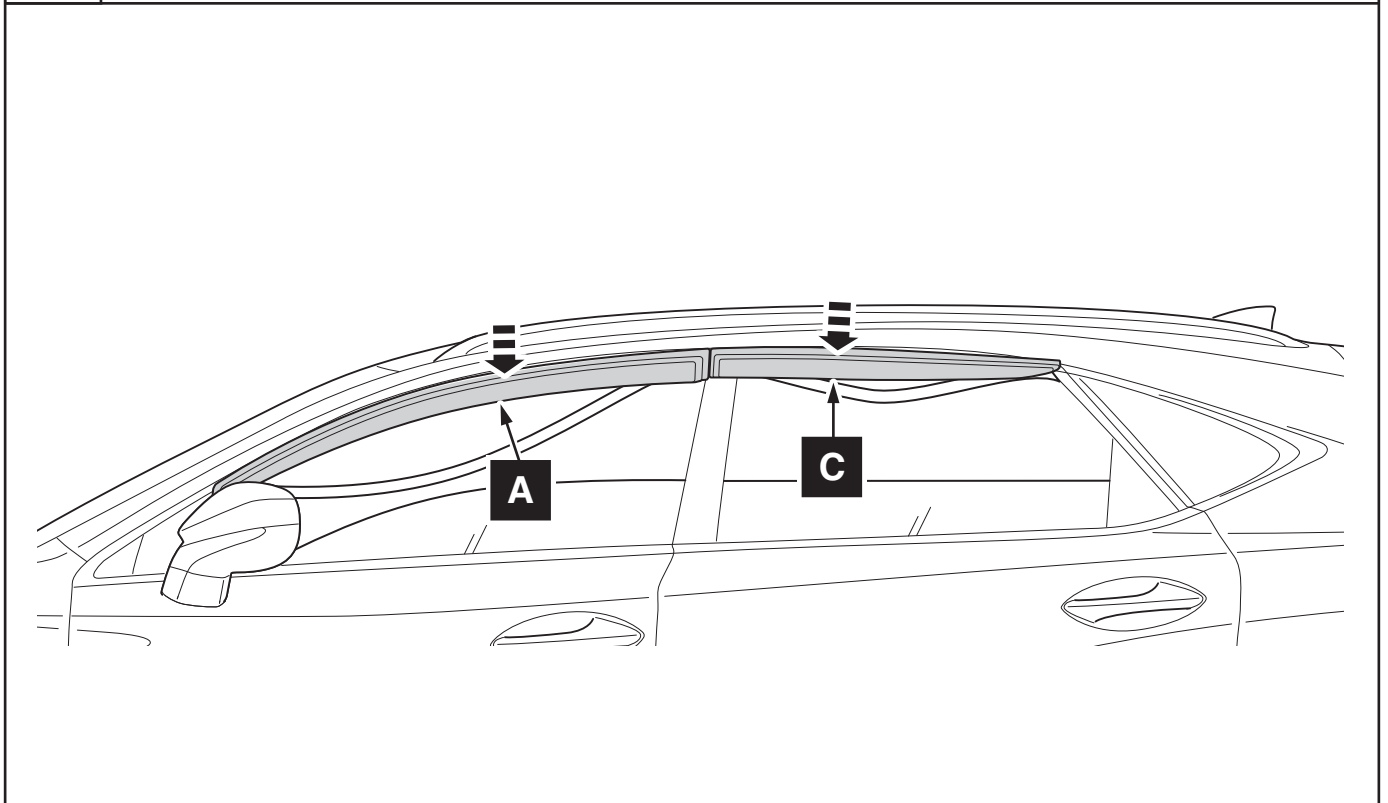
INSTALLATION INSTRUCTIONS



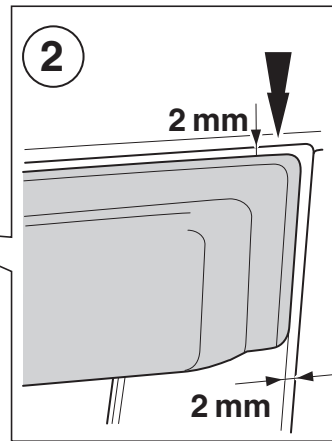
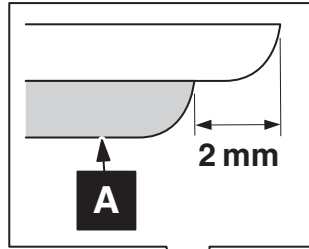
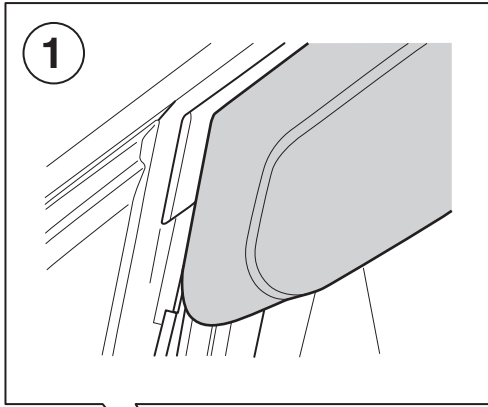
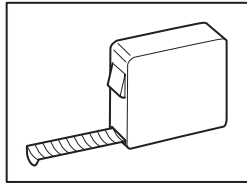
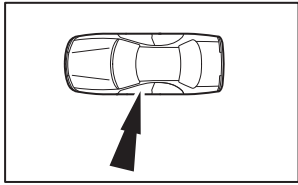
1



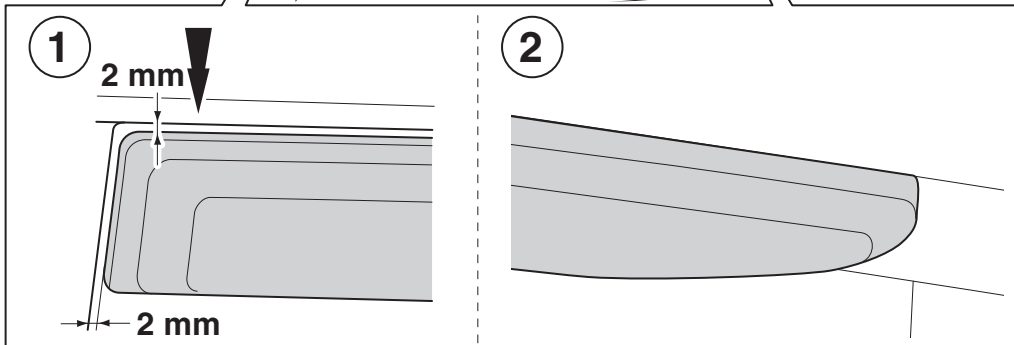
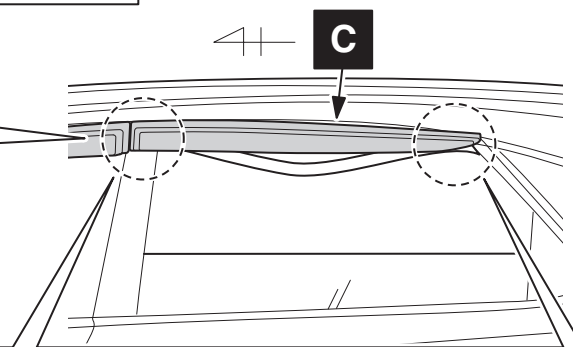
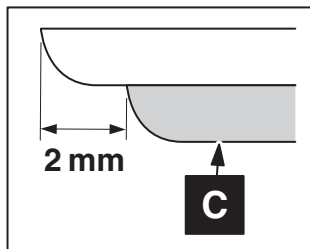
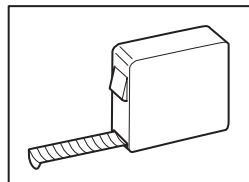
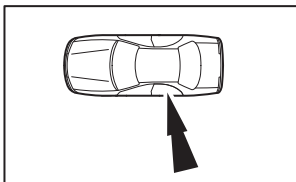
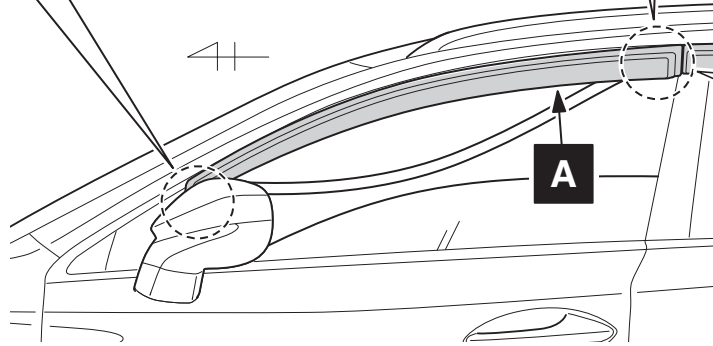
2



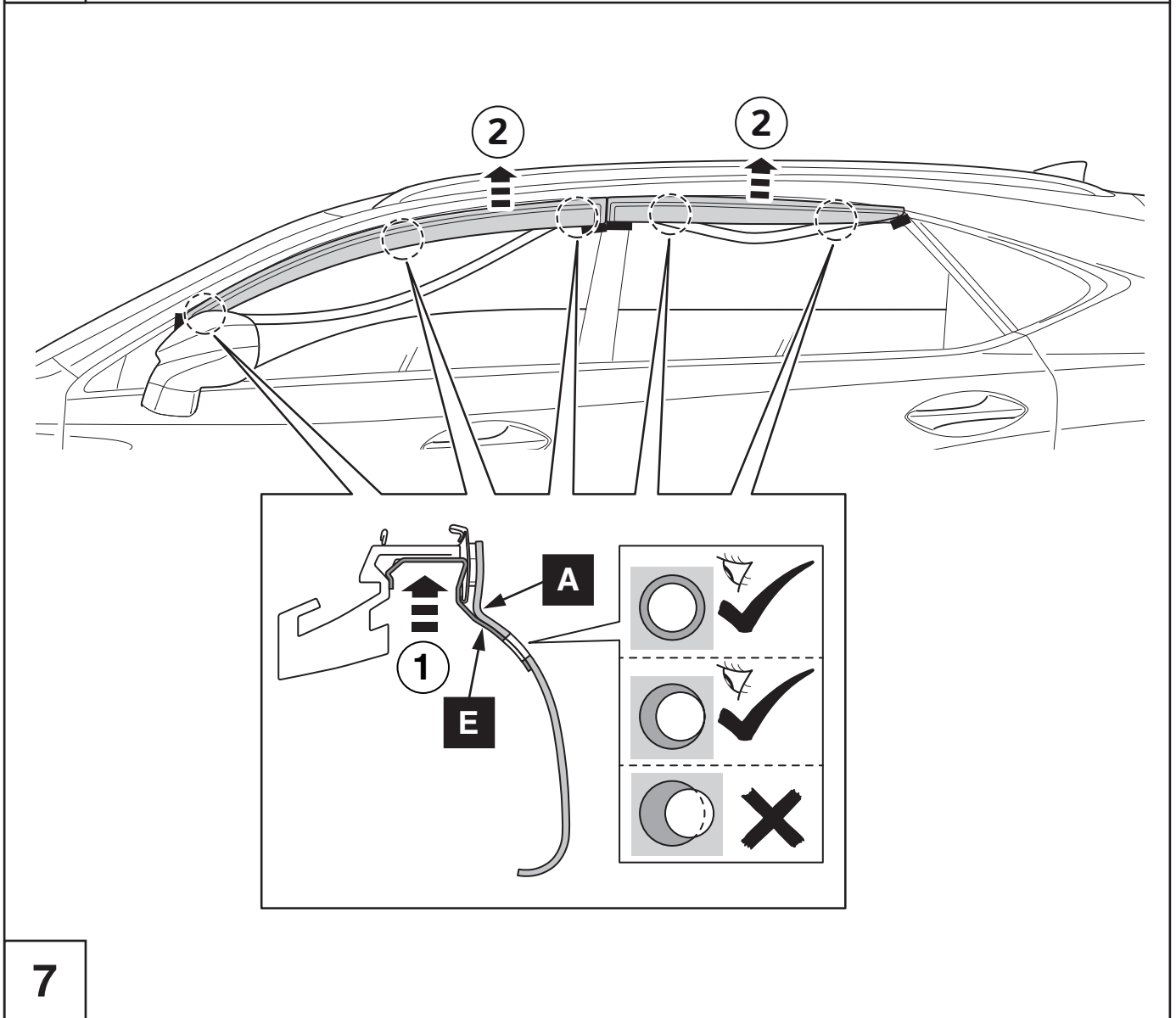
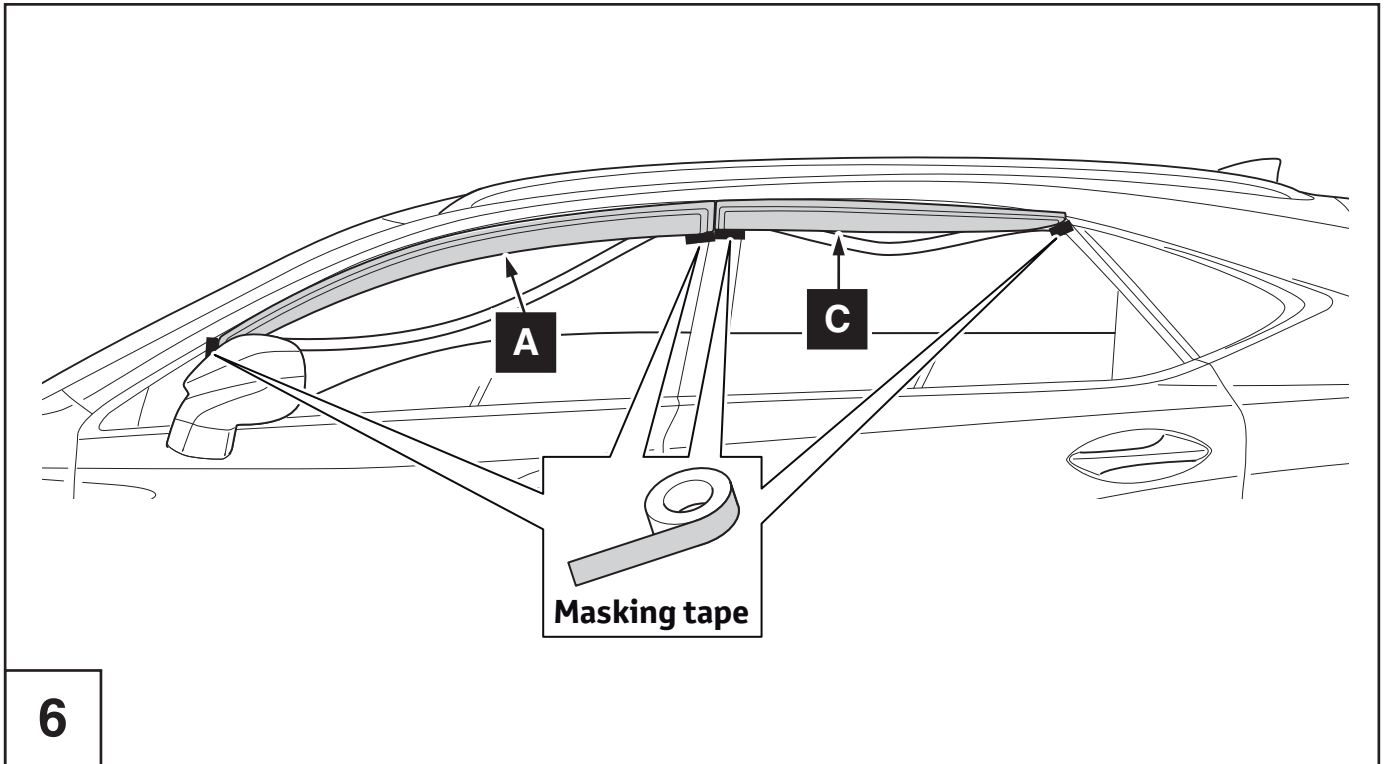
3

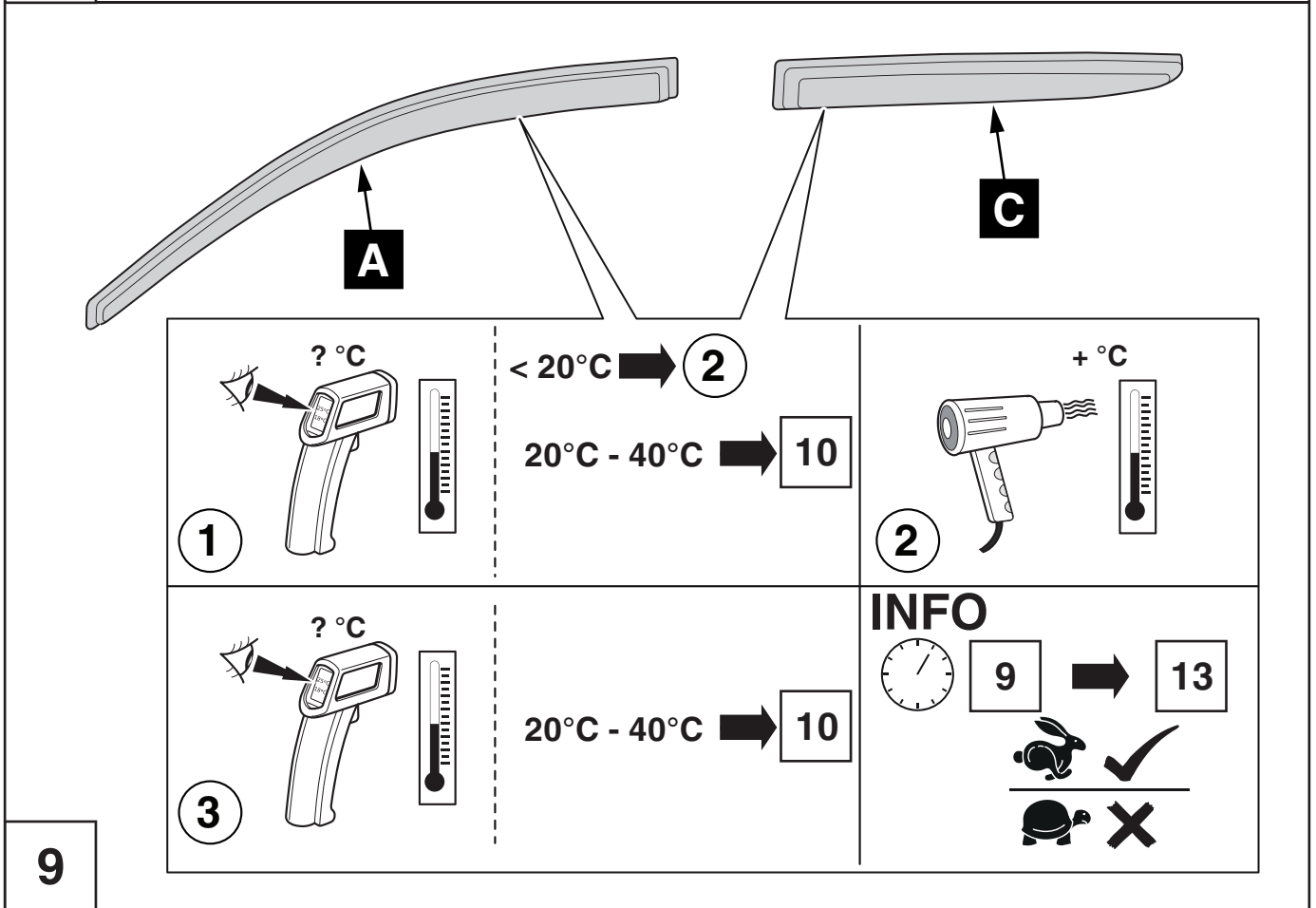
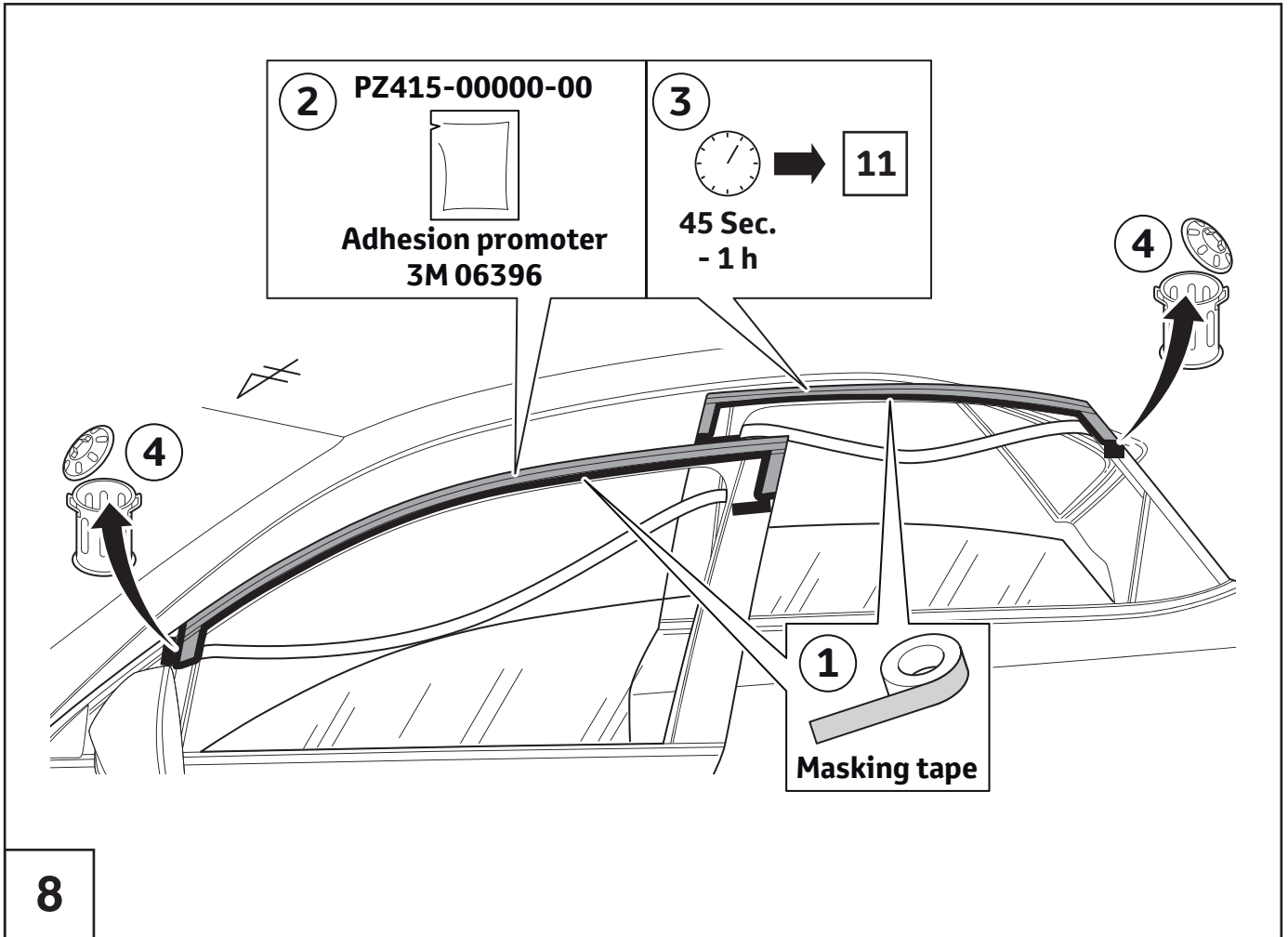


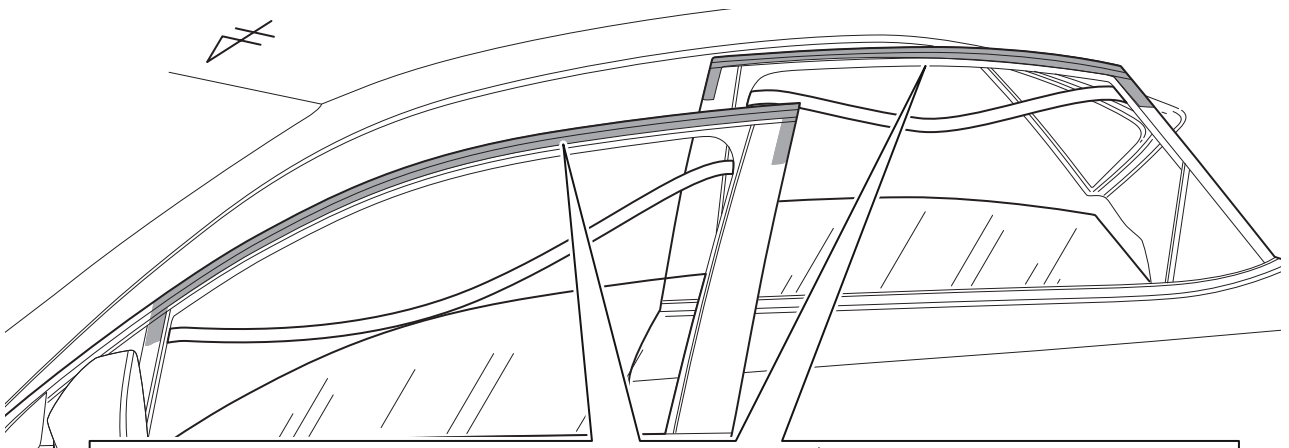
4



5

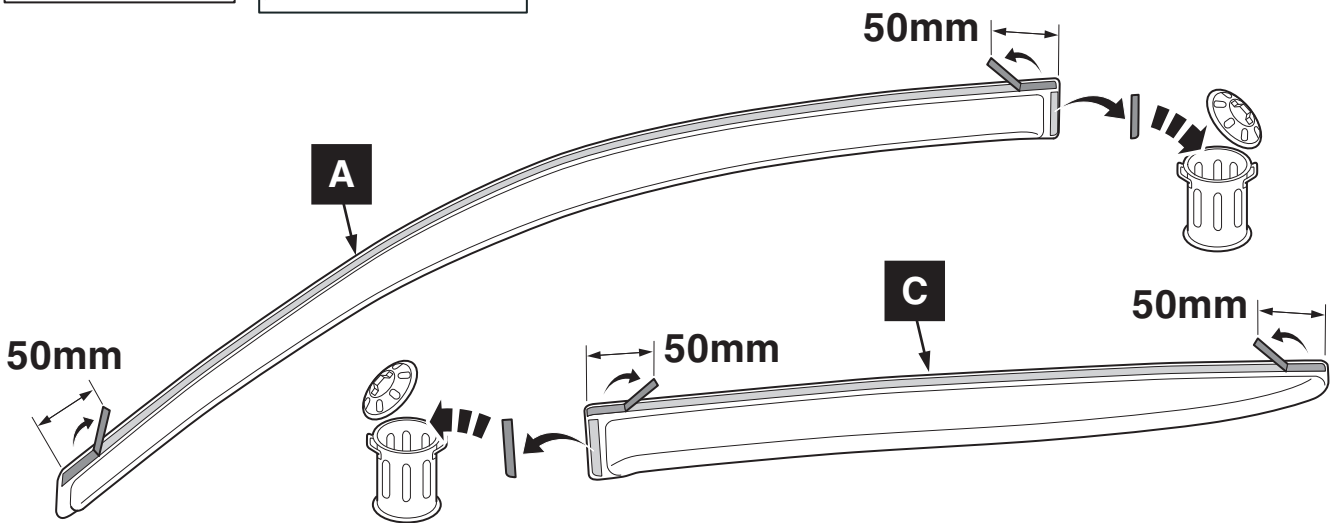
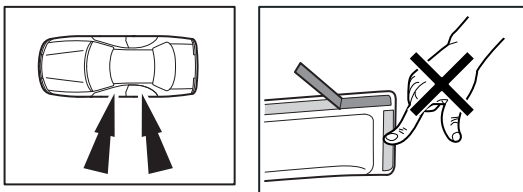




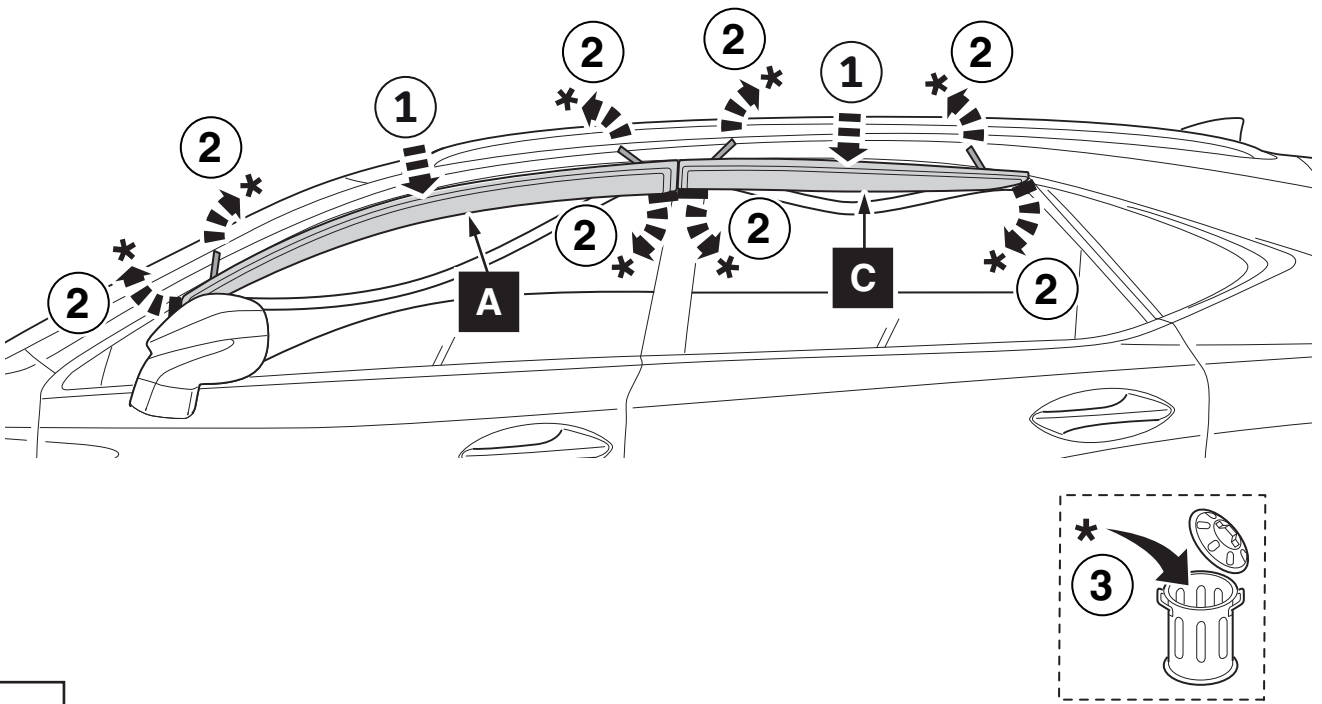


<p>1</p> <p>? °C</p>	<p>< 20°C → 2</p> <p>20°C - 40°C → 11</p>	<p>2</p> <p>+ °C</p>
<p>3</p> <p>? °C</p>	<p>20°C - 40°C → 11</p>	<p>INFO</p>

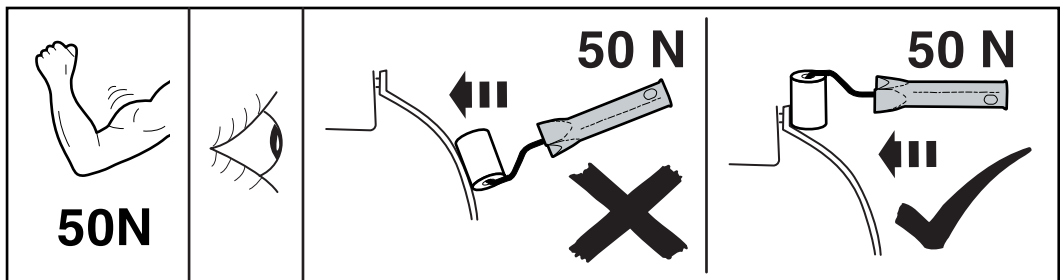
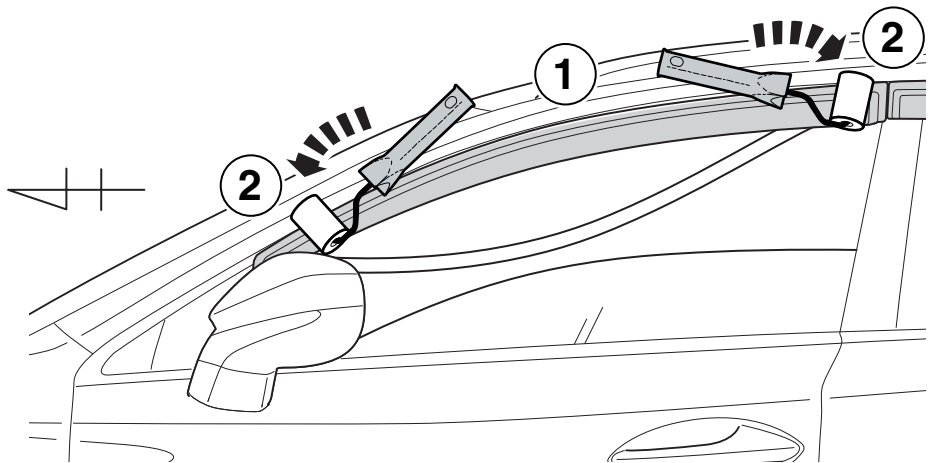
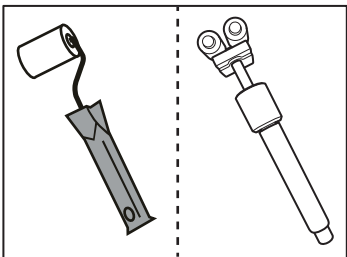
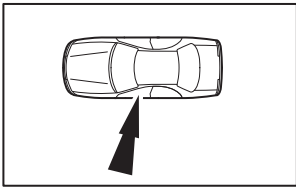
10



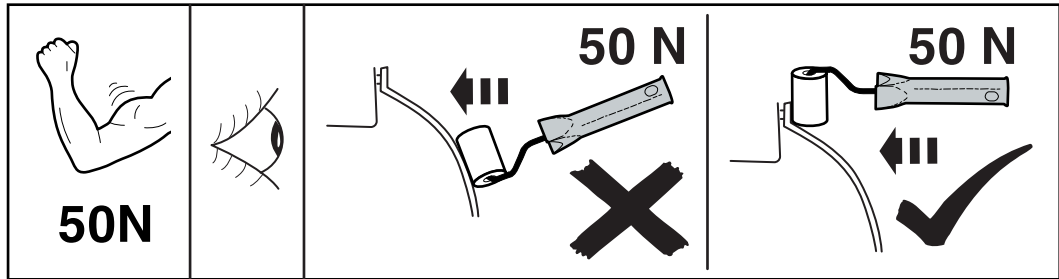
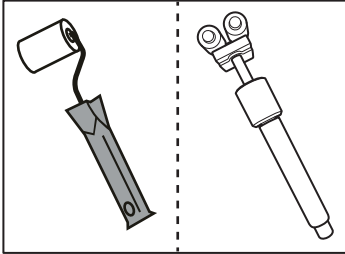
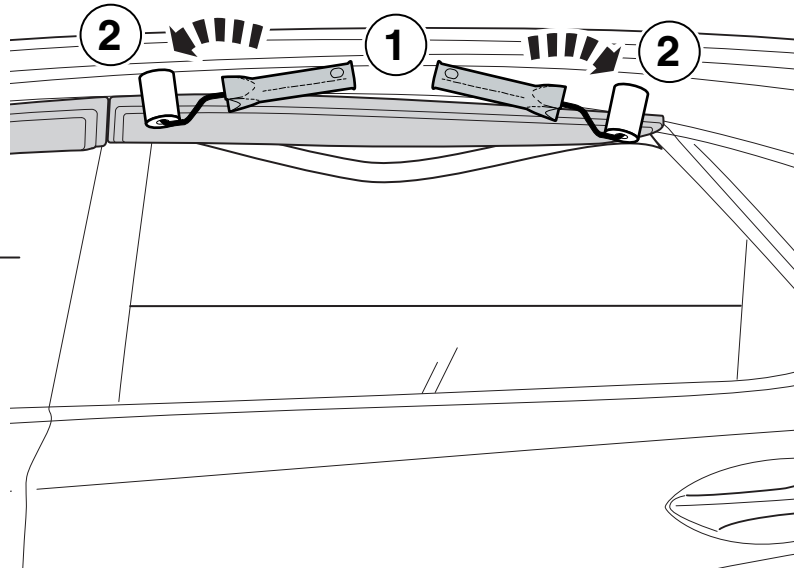
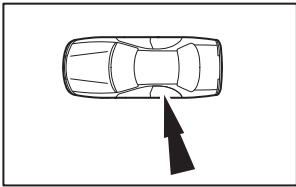
11



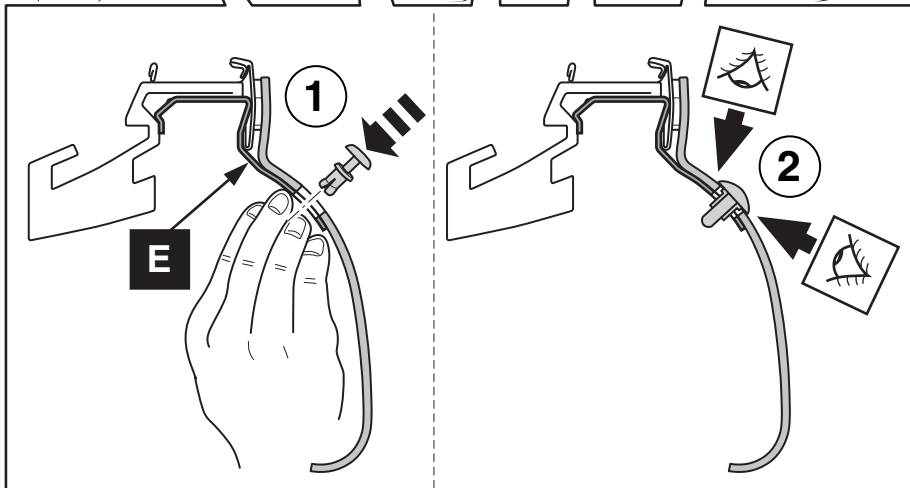
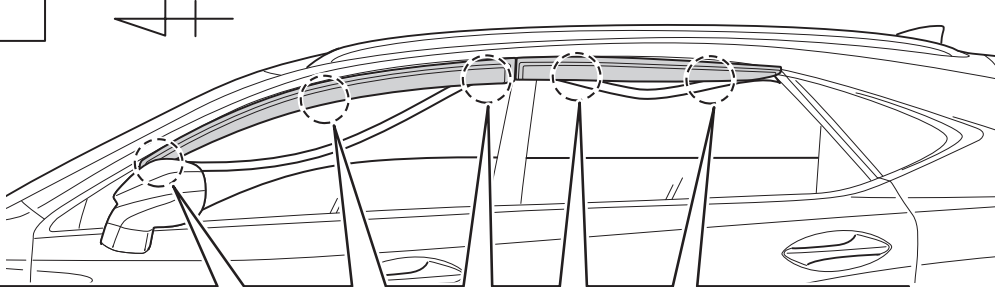
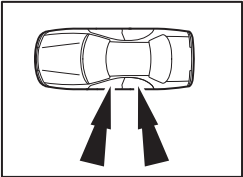
12



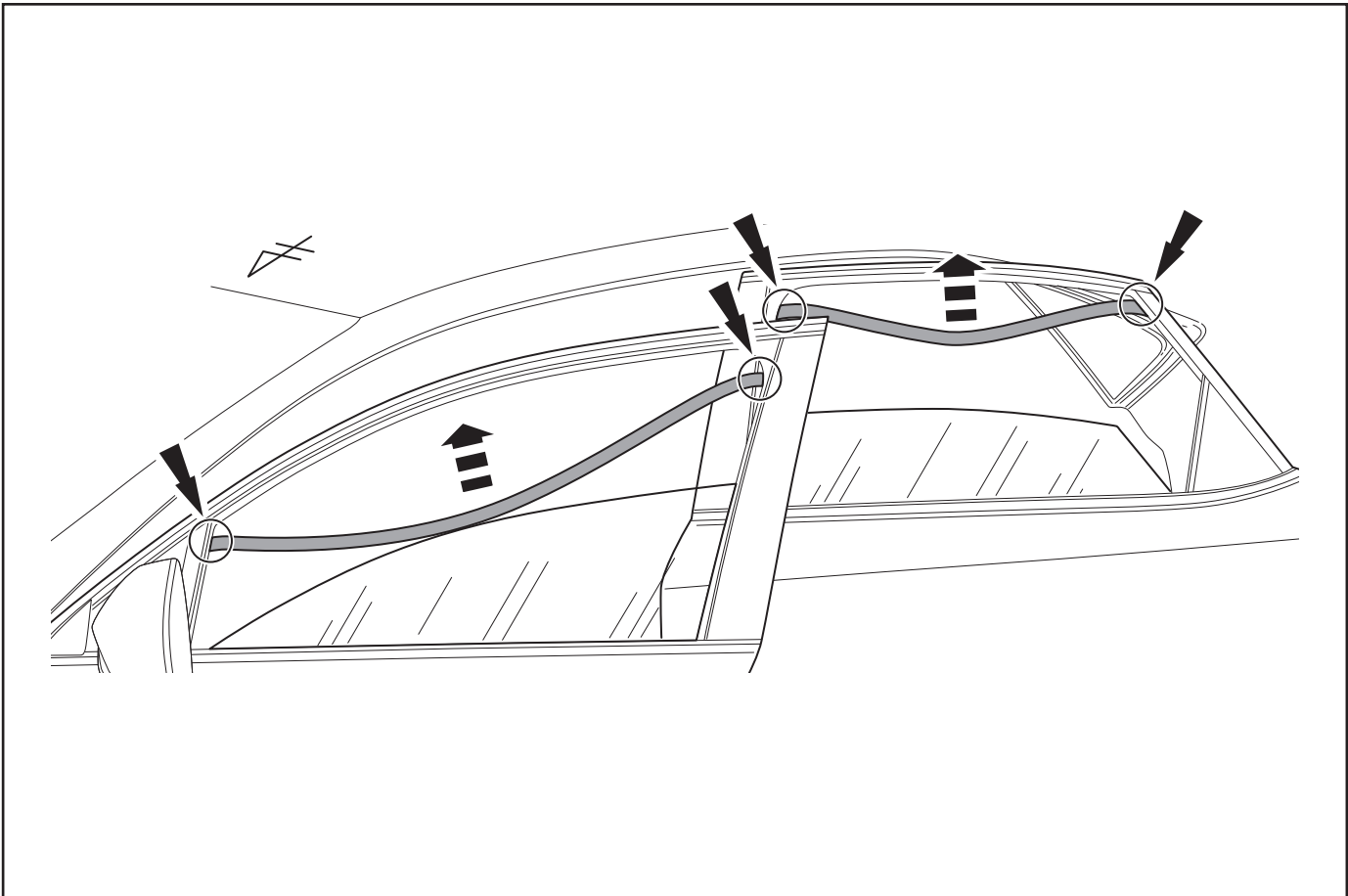
13



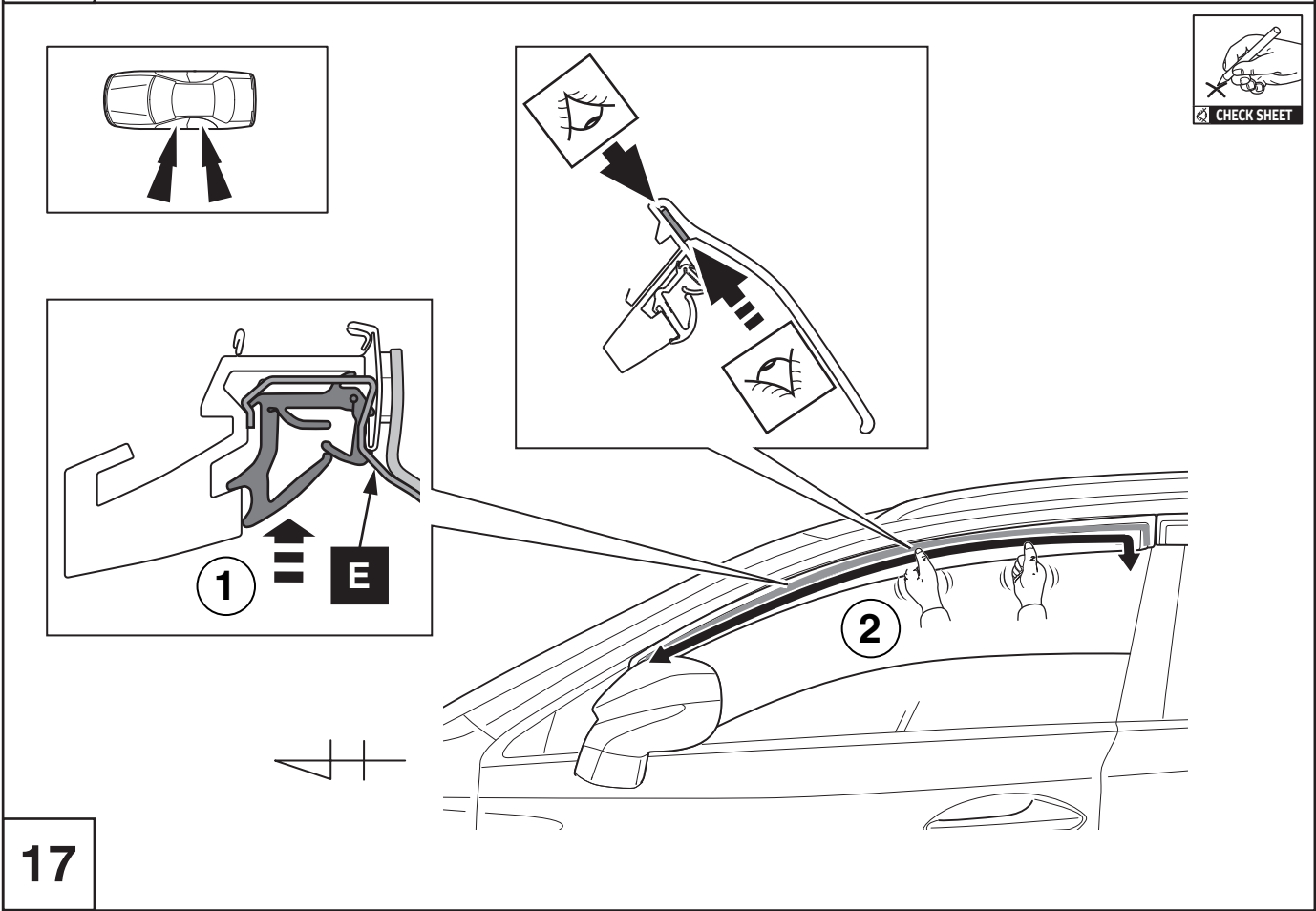
14



15



16



17

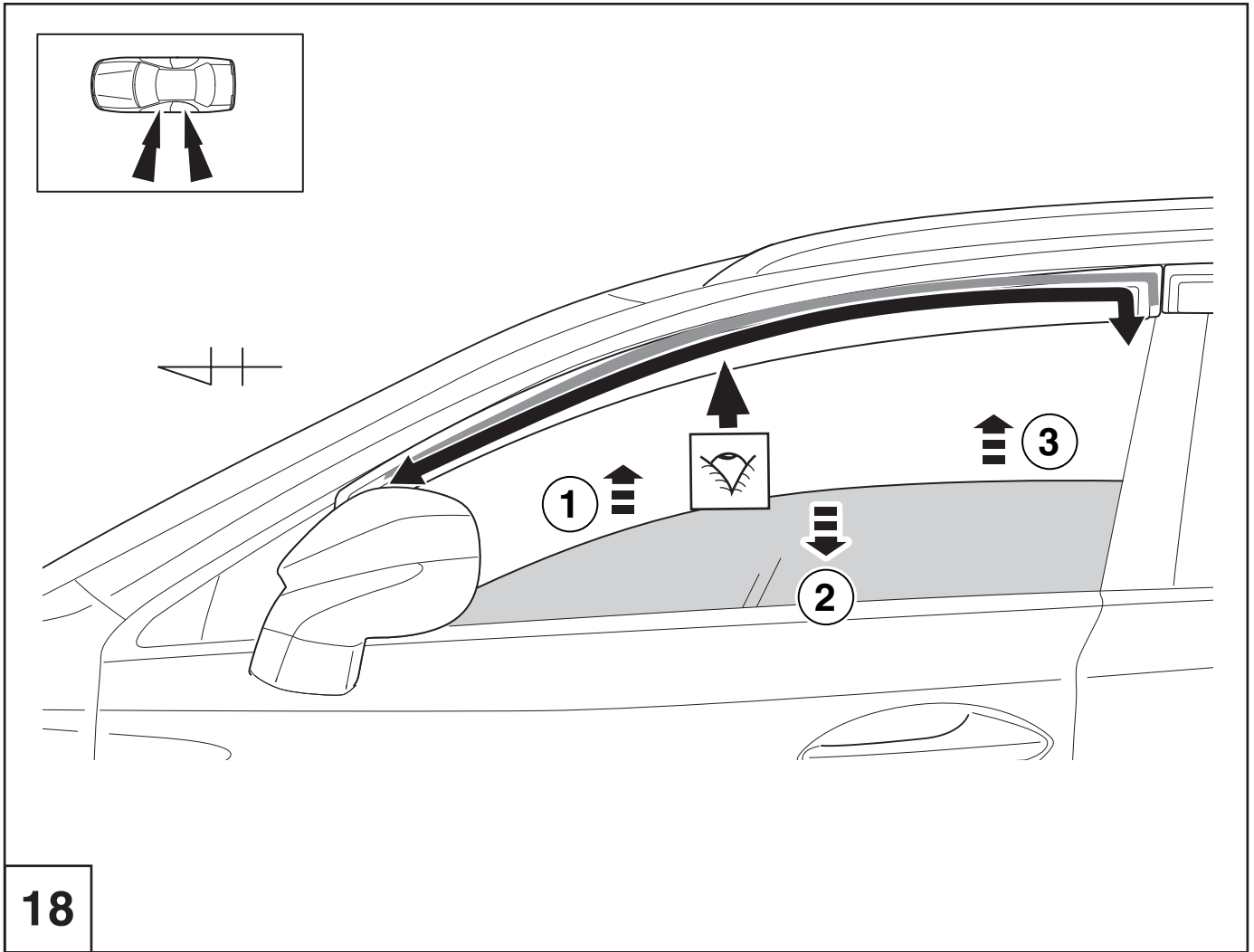


Fig.1 → Fig.18

RHS

B D

=

Fig.1 → Fig.18

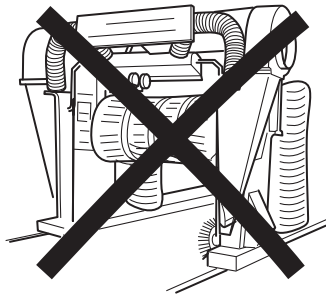
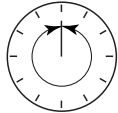
LHS

A C

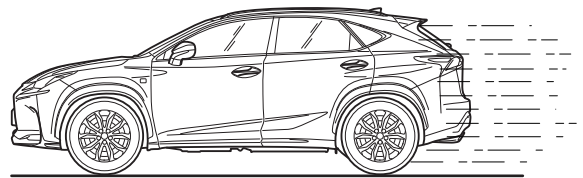
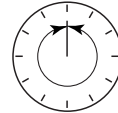
19

INFO

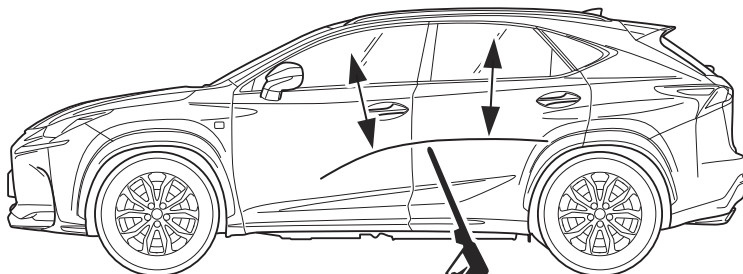
24 h



24 h



Max. 90 Km/h



> 1 meter

Model / Year **NX**

Wind deflectors

as from 2021/09

VIN n°

DURING INSTALLATION

1 **P/N = OK**

AFTER INSTALLATION

1

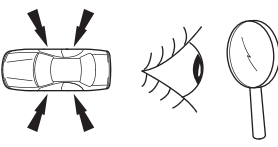
LHS **RHS**

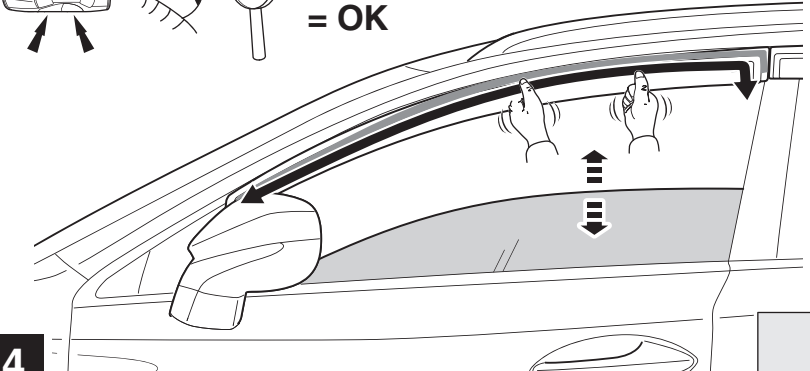
2

LHS **RHS**

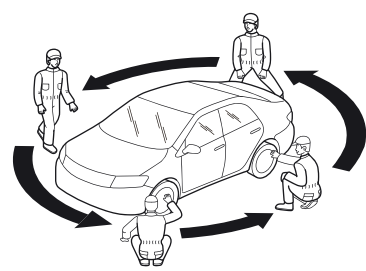
3


CHECK SHEET Page 2 of 2

 = OK

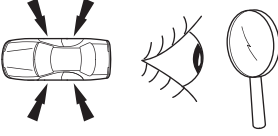


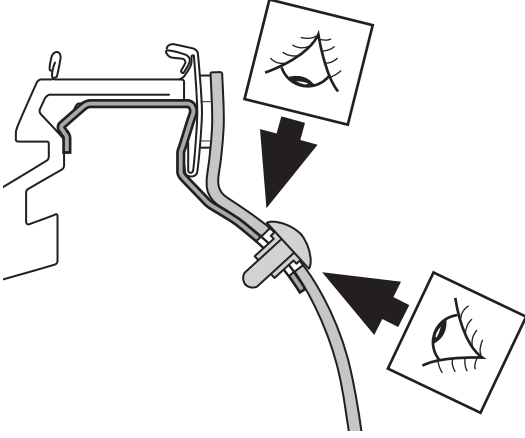
4



 = OK

5

 = OK



6

Installation Date:

. . / . . /

Technician Name & Signature:

Stamp: