

Torque Values for Alloy Wheels / Steel Wheels / Tyre & Wheel Assembly / Anti-Theft Wheel Lock Nut / Bolt

Installation Instructions

Latest Version
SCAN HERE



THINK BEFORE YOU PRINT

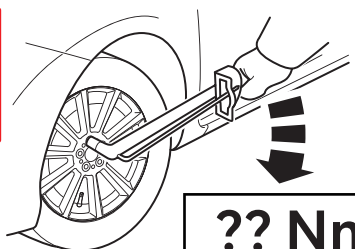


**ONLINE = LATEST VERSION
GO DIGITAL!**

Revision Record

Rev. No.	Date	Page	Step	Remarks
①	19.12.23	5		PROACE City, PROACE City Electric, PROACE City Verso PROACE City Verso Electric: 100 Alloy (added)
②	25.04.24	5		PROACE Max Light (M14), PROACE Max Heavy (M16), PROACE Max Electric Heavy (M16) added

IMPORTANT TECHNICAL INFORMATION



www.toyota-tech.eu

Owner/Repair Manual

?? Nm If not available

IMPORTANT TECHNICAL INFORMATION

When servicing or replacing wheels and/or hub bolts/nuts, always confirm part compatibility.

In the case of hub bolts, some models use one-piece bolts, and other models use bolts with washers.

(1) Do NOT assume these bolts are interchangeable, even if the mating surface shape is the same. Always consult the parts catalog for correct hub bolts.

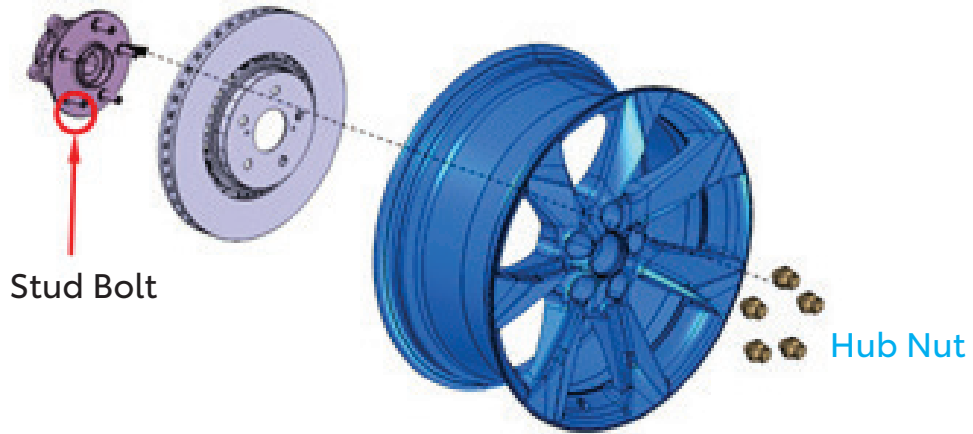
(2) Inspect the bolts with washers to ensure that the washer is not damaged and is correctly installed on the hub bolts.

[Bolts with washers]

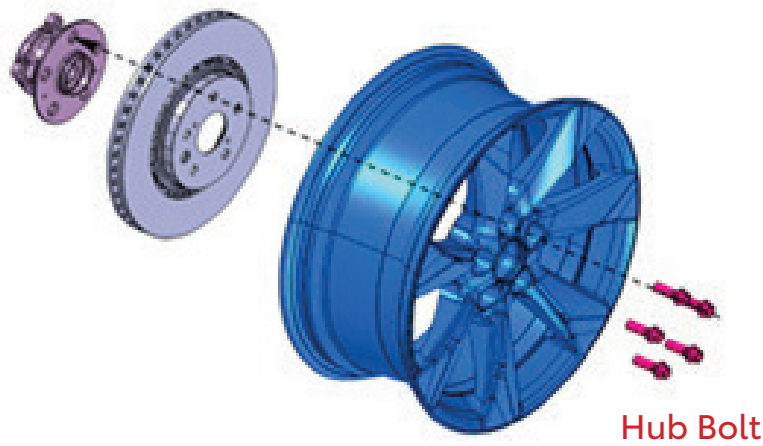


Washer

Hub Nut Assembly



Hub Bolt Assembly



Hub Nut



Genuine parts

"Flat" shape



Genuine parts

"Tapered" shape



Genuine parts

"Spherical" shape
(one-piece bolt)



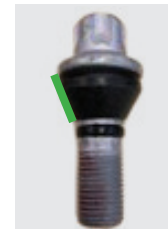
Genuine parts

"Spherical" shape
(bolt with washer)



Genuine parts

"Tapered" shape
(one-piece bolt)



Genuine parts

"Tapered" shape
(bolt with washer)



Genuine parts

"Flat" shape
(bolt with washer)

TABLE OF TORQUE VALUES PER MODEL


		Torque [N·m]	Fixation Type NUT/BOLT	TPMS/ TWMS
TOYOTA	As from:			Torque [N·m]
Auris	2011/11 - 2018/12	103	Nut	4
Avensis	2014/02 - 2018/12	103	Nut	4
Aygo	2014/05 - 2022/02	103	Bolt	NA
Aygo X	2022/03 -	140	Bolt	NA
bZ4X	2022/03 -	140	Bolt	4
Camry	2018/09 -	103	Nut	4
Corolla Cross	2022/07 -	103	Nut	4
Corolla Sedan	2013/06 - 2018/12	103	Nut	4
Corolla HB + TS + Sedan	2019/01 -	103	Nut	4
Fortuner	2017/08 -	105	Nut	4
GR Yaris	2020/08 -	103	Nut	4
GR86	2022/03 -	120	Nut	4
GT86	2012/03 - 2022/02	120	Nut	4
Highlander	2020/03 -	103	Nut	4
Hilux 4x2	2015/04 -	121 Alloy wheels	Nut	4
	2015/04 -	152 Steel wheels	Nut	4
Hilux 4x4	2015/04 -	105	Nut	4
LC 150	2015/06 -	103 Alloy wheels	Nut	4
	2015/06 -	112 Steel wheels	Nut	4
LC 200	2015/08 -	131 Alloy wheels	Nut	4
	2015/08 -	209 Steel wheels	Nut	4
LC 250	2023/12 -	131 Alloy wheels	Nut	4
	2023/12 -	209 Steel wheels	Nut	4
LC 300	2021/04 -	131 Alloy wheels	Nut	4
	2021/04 -	209 Steel wheels	Nut	4
Mirai	2015/06 - 2020/10	103 Alloy wheels	Nut	4
	2020/11 -	140	Bolt	4
Prius	2015/12 -	103	Nut	4
Prius+	2012/03 -	103	Nut	4
Prius PHV	2016/09 -	103	Nut	4
PROACE	2016/02 -	125	Bolt	NA
PROACE City	2019/12 -	115 Steel wheels	Bolt	NA
	2019/12 -	110 Alloy wheels	Bolt	NA 
PROACE City Electric	2021/07 -	115 Steel wheels	Bolt	NA
	2021/07 -	110 Alloy wheels	Bolt	NA 
PROACE City Verso	2019/12 -	115 Steel wheels	Bolt	NA
	2019/12 -	110 Alloy wheels	Bolt	NA 
PROACE City Verso Electric	2021/07 -	115 Steel wheels	Bolt	NA
	2021/07 -	110 Alloy wheels	Bolt	NA 
PROACE Electric	2020/08 -	125	Bolt	NA
PROACE Max Light (M14)	2024/07 -	160	Bolt	NA 
PROACE Max Heavy (M16)	2024/07 -	180	Bolt	NA 
PROACE Max Electric Heavy (M16)	2024/07 -	180	Bolt	NA 
PROACE Verso Electric	2021/01 -	125	Bolt	NA

TABLE OF TORQUE VALUES PER MODEL

		Torque [N·m]	Fixation Type NUT/BOLT	TPMS/ TWMS
TOYOTA	As from:			Torque [N·m]
RAV4	2012/12 -	103	Nut	4
RAV4 Plug-in Hybrid	2020/06 -	103	Nut	4
Toyota C-HR	2016/10 -	103	Nut	4
Toyota GR Supra	2019/03 -	140	Bolt	8
Verso	2009/02 - 2017/10	103	Nut	4
Yaris	2011/06 -	103	Nut	4
Yaris Cross	2021/05 -	103	Nut	4