



# Proace City

# Proace City Verso

Shift knob

Installation Instructions

Model year: As from 2019/12

Vehicle code: BKY\*\*1\*-L\*J\*\*W, BPZ\*\*\*\*\*-LNJ\*\*W,  
BKY\*\*\*1\*-L\*F\*\*W, BPZ\*\*\*\*\*-LNF\*\*W

Part number: PZ4L0-H0110  
PZ4L0-H0111  
PZ4L0-H0112  
PZ4L0-H0113

Manual reference number: AIM 005 266-0

# Revision Record

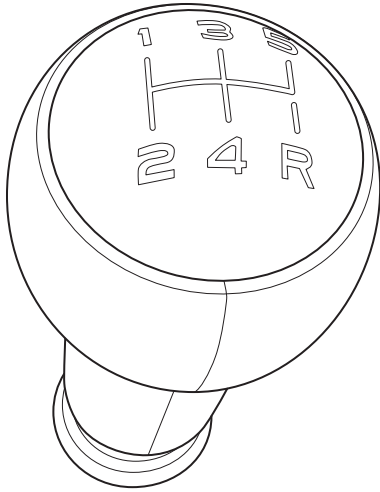
Rev. No.	Date	Page	Picture	Update	New	Deleted steps

**KIT CONTENT**

**PZ4LO-H0110**



**A**



**1x**

**PZ4LO-H0111**



**A**

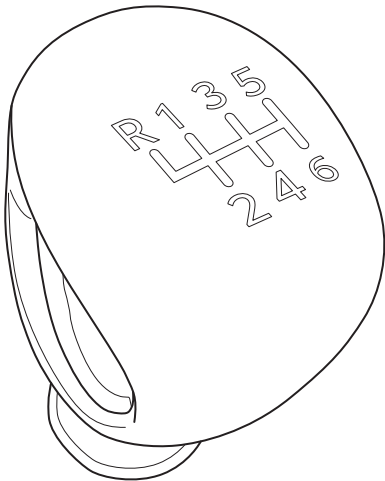


**1x**

**PZ4LO-H0112**



**A**



**1x**

**PZ4LO-H0113**

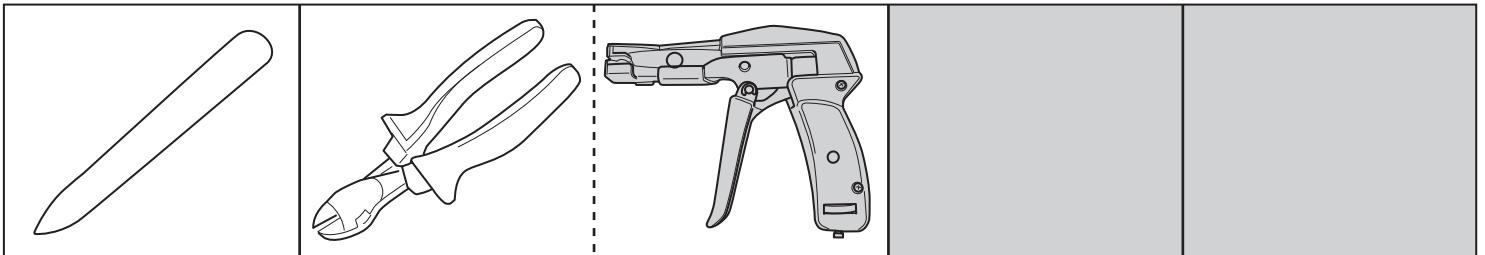


**A**



**1x**

**TOOLS**

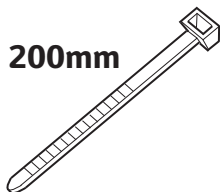


**CONSUMABLES**

**LOCTITE 454**



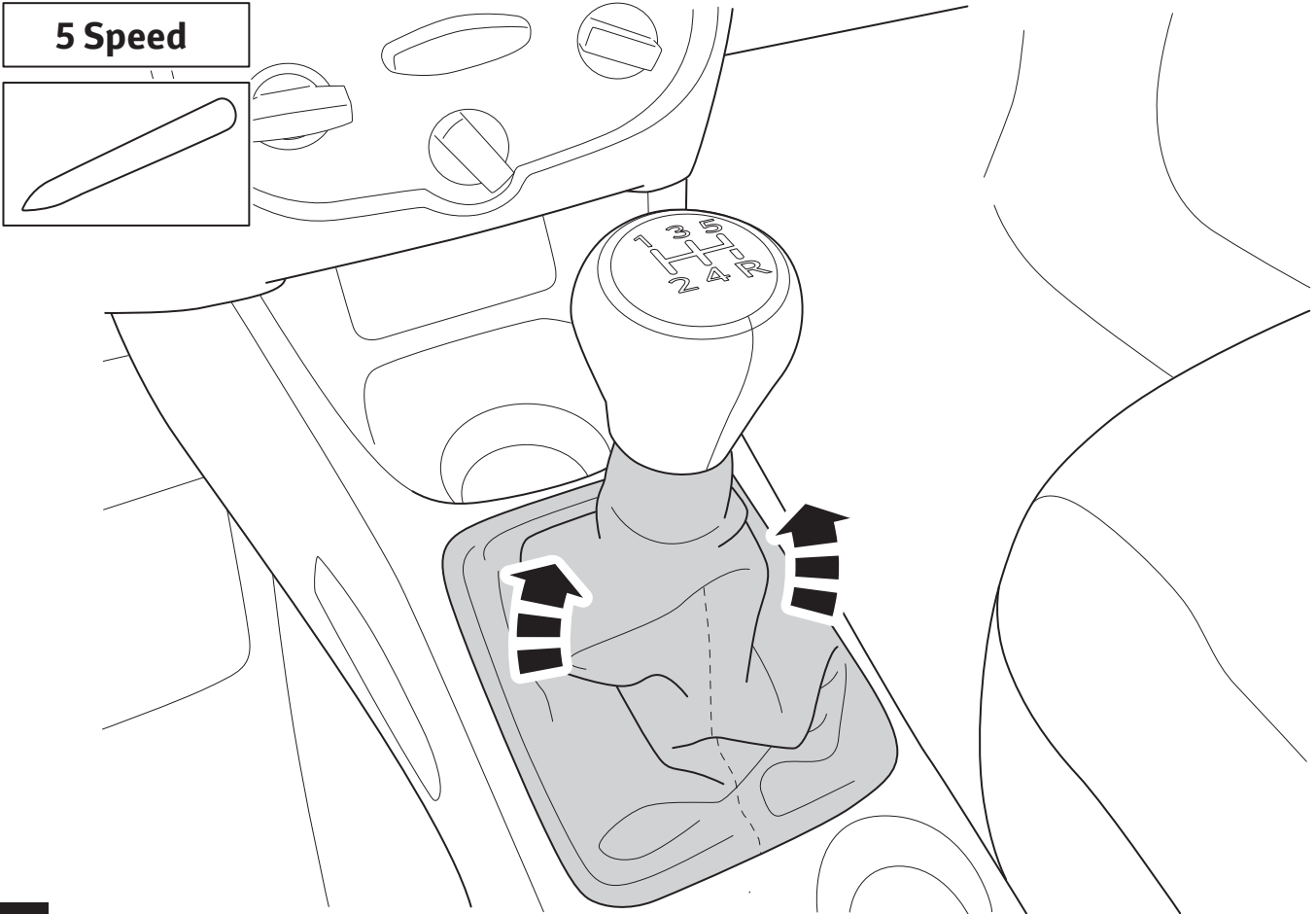
**200mm**



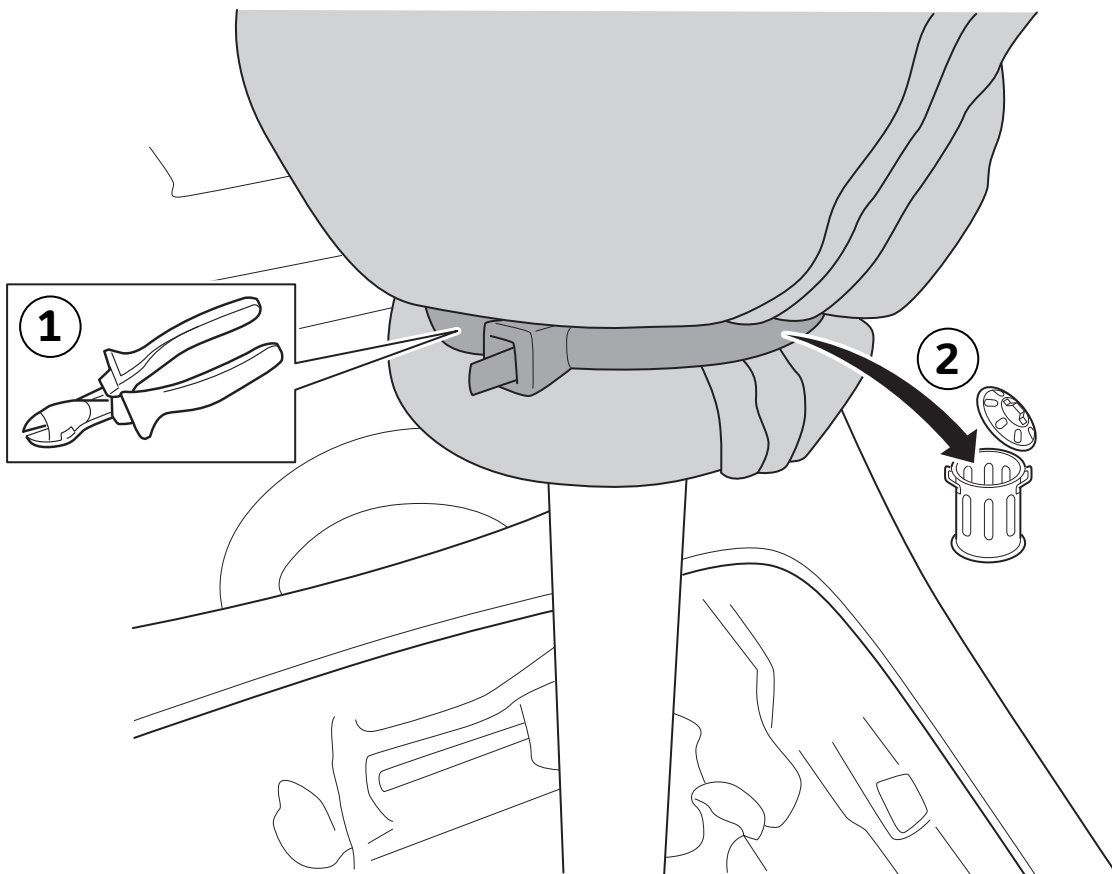
**1x**

# INSTALLATION INSTRUCTIONS

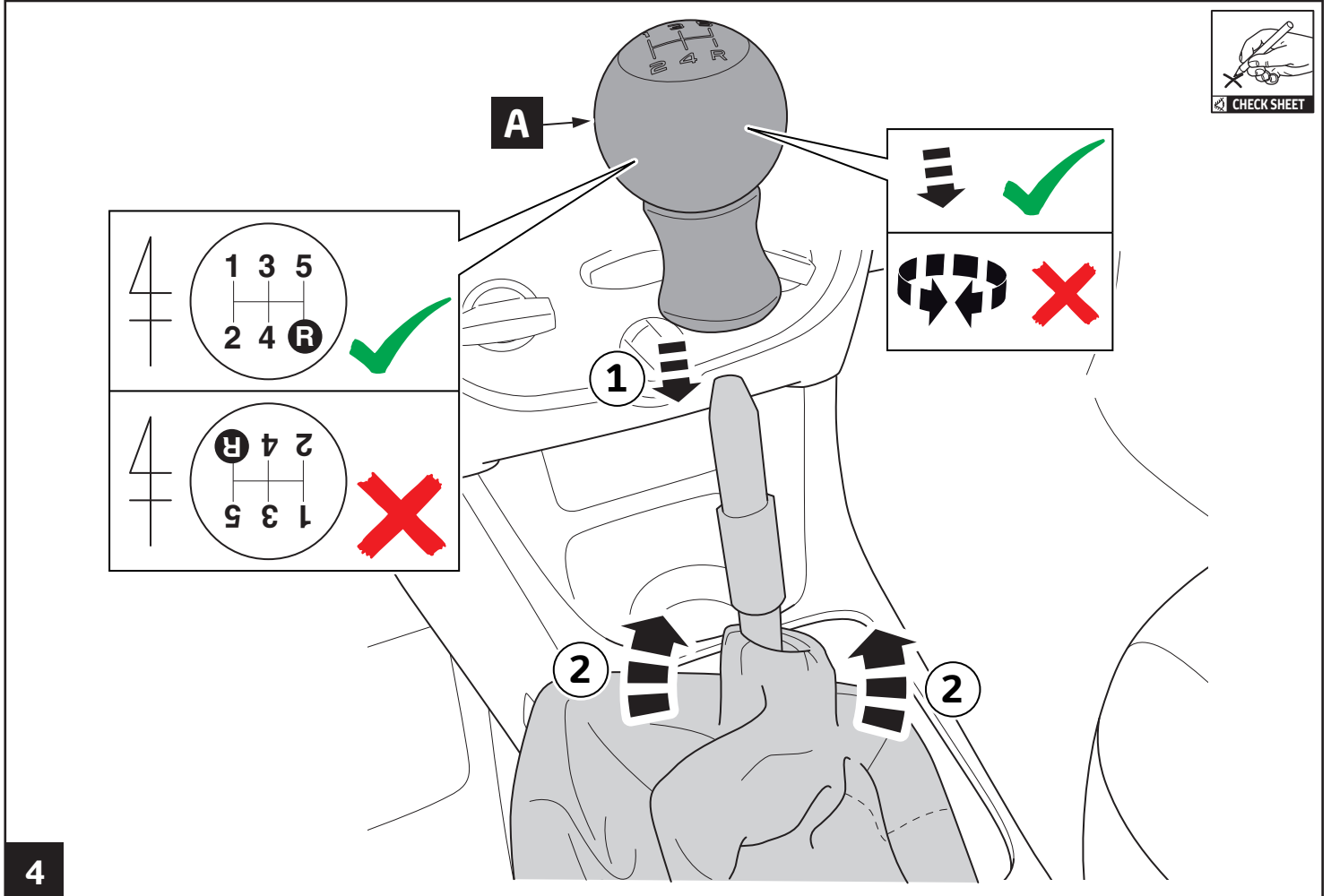
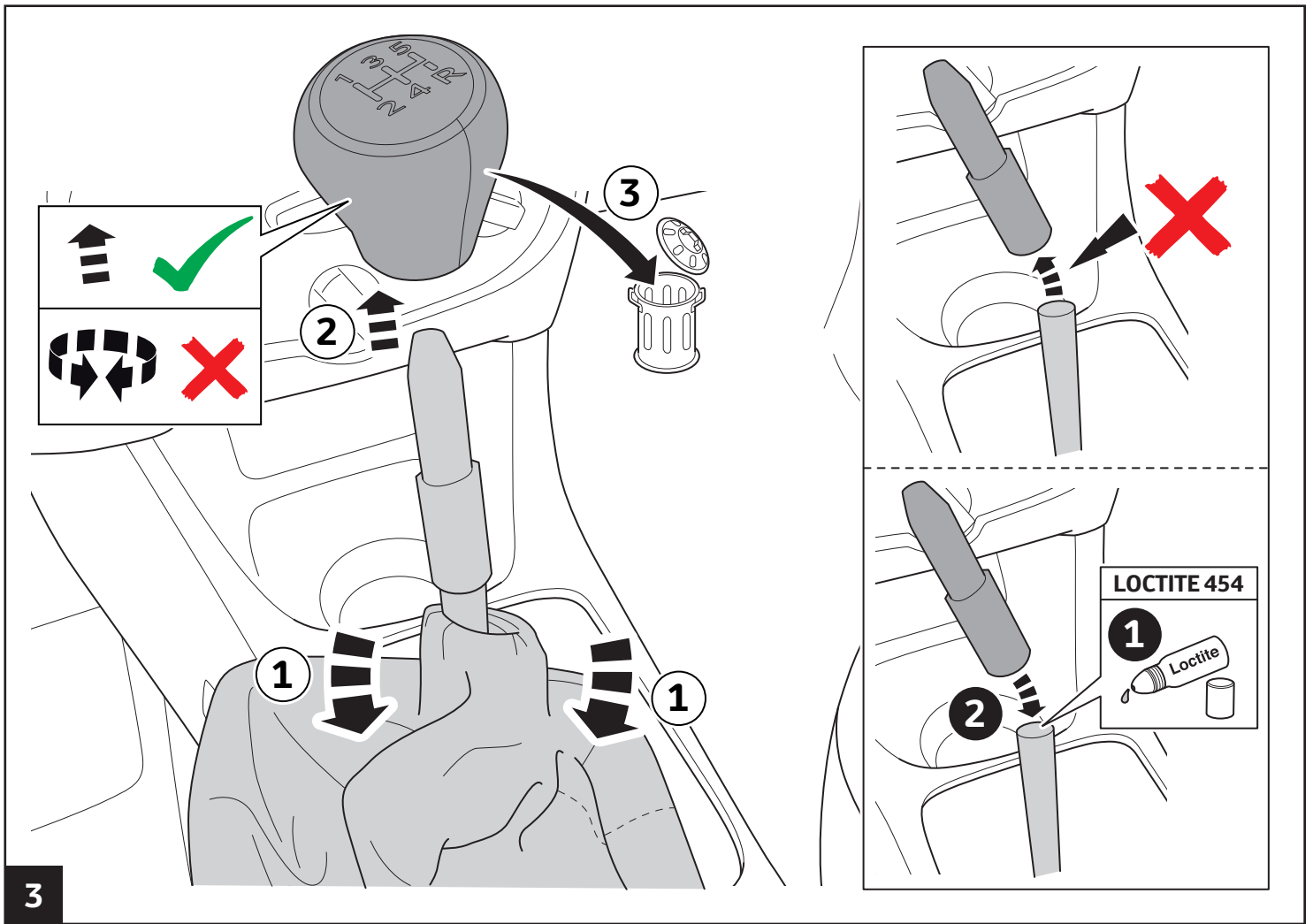
5 Speed

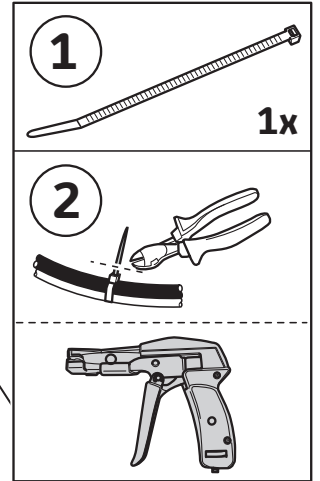
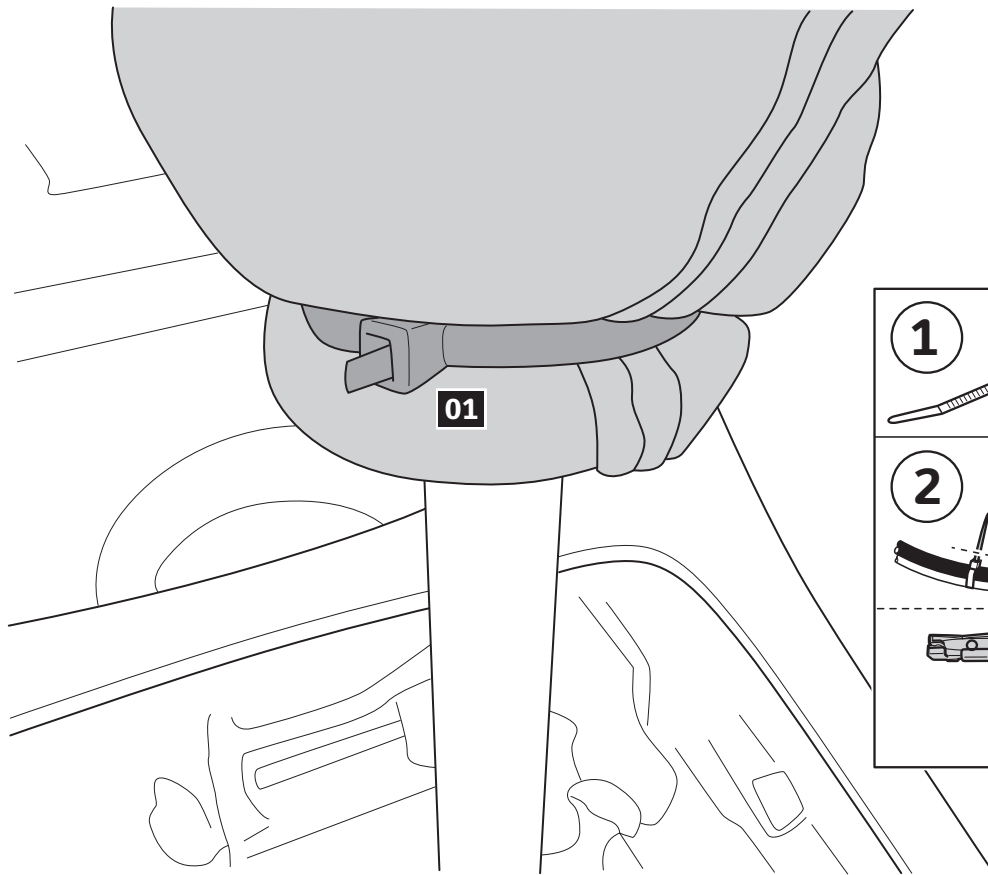


1

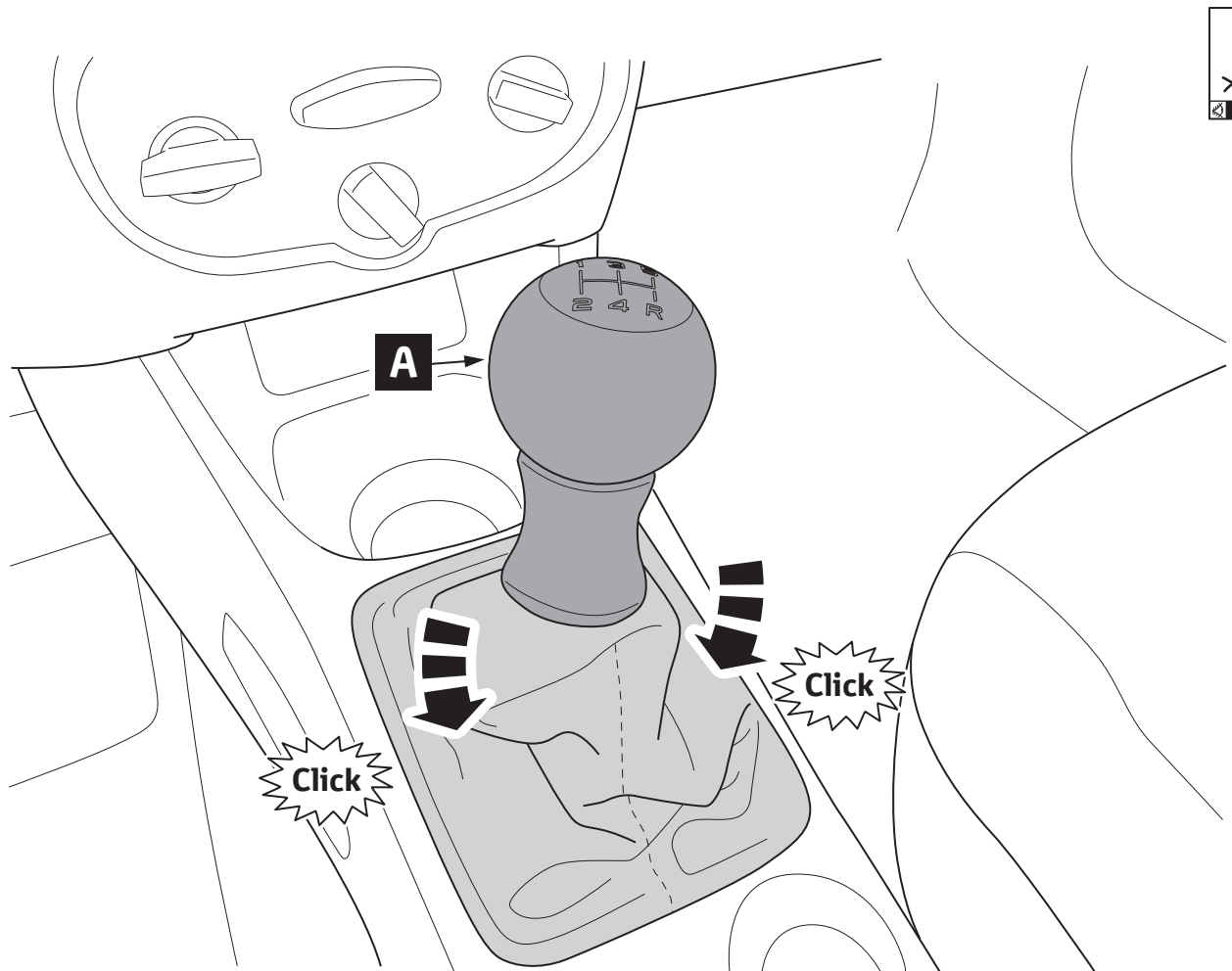


2



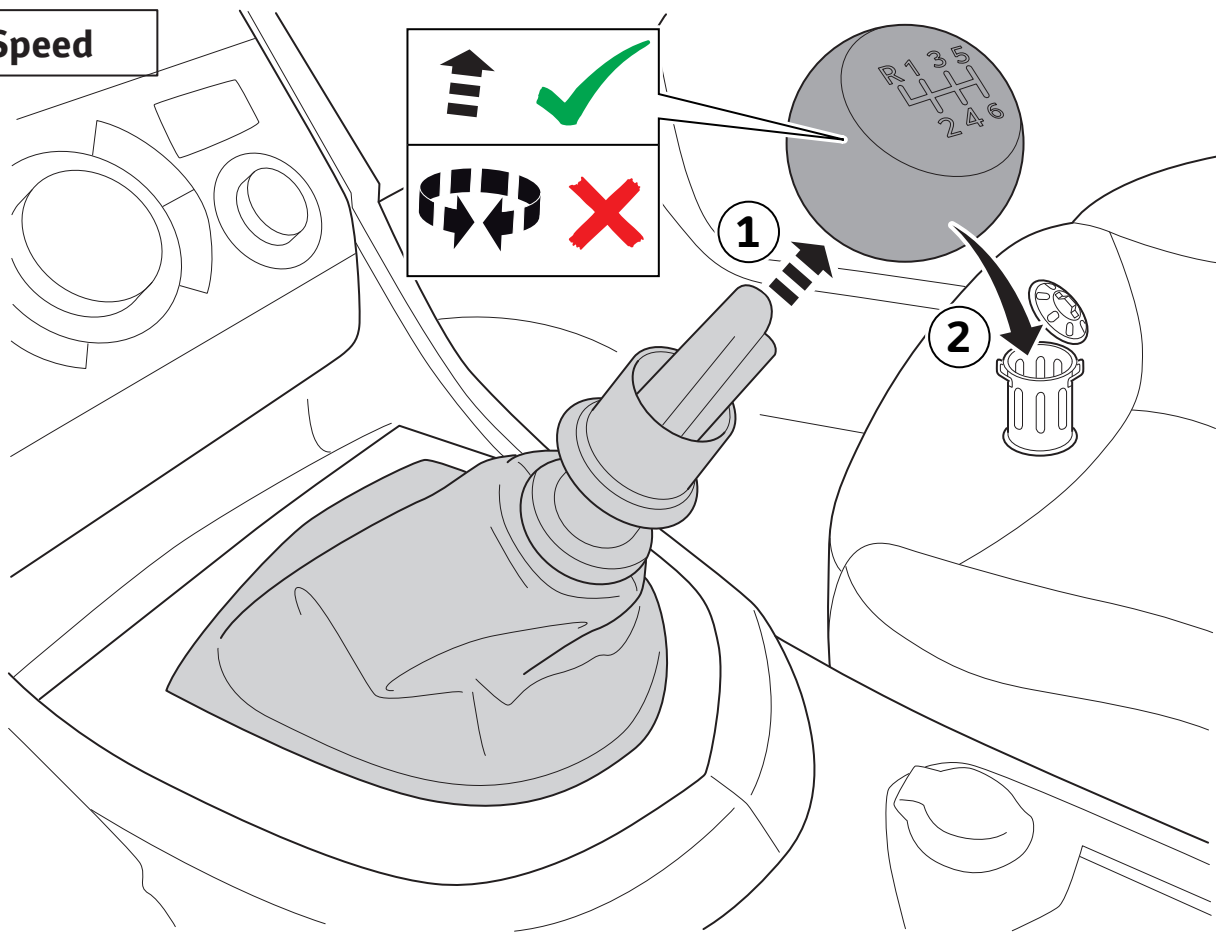


5

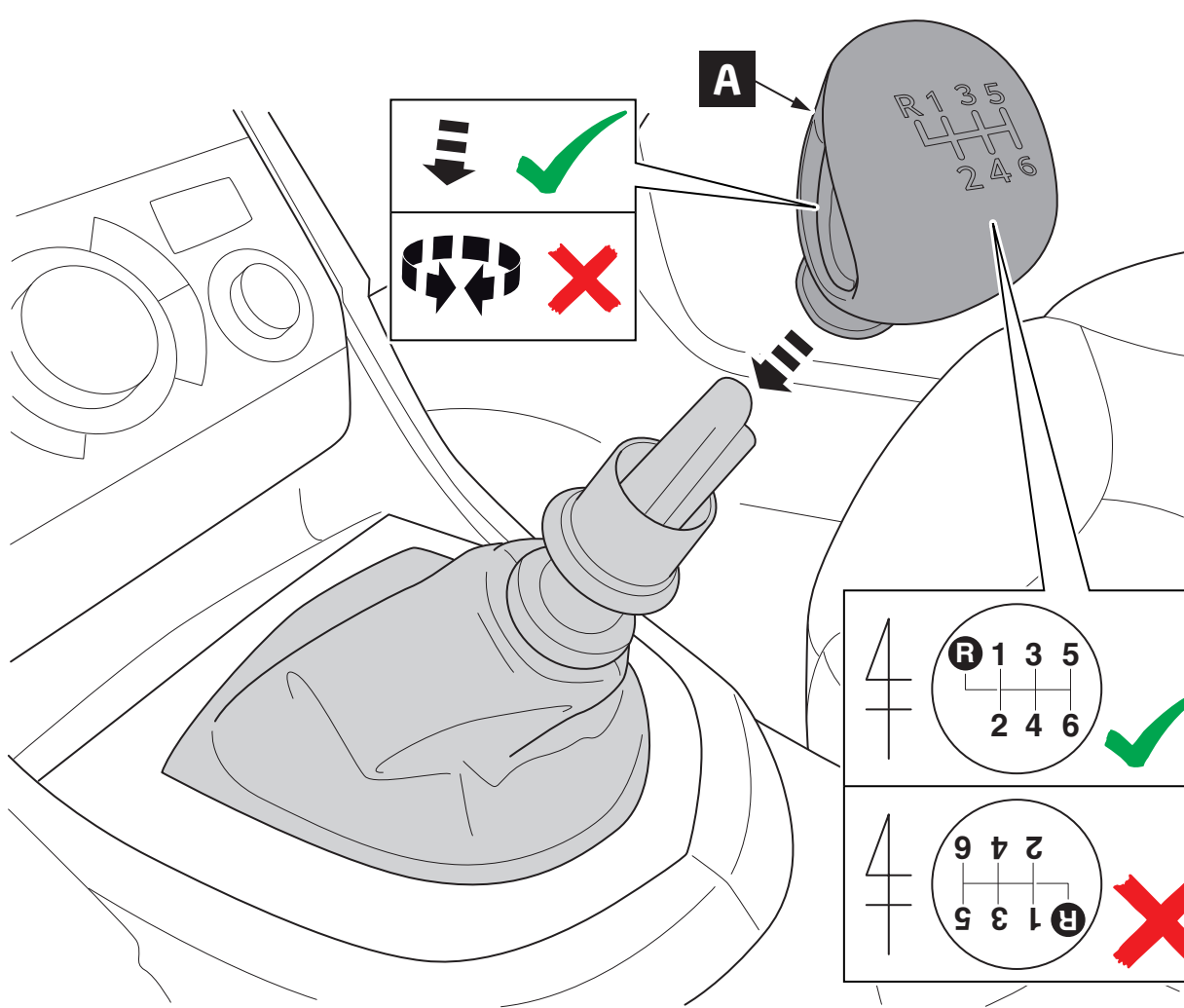


6

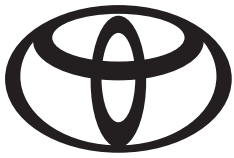
6 Speed



7



8



# CHECK SHEET

Page 1 of 1


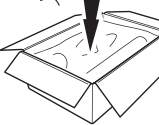
Model/Year Proace City  
Proace City Verso  
As from 2019/12

Shift knob

VINn°

## DURING INSTALLATION

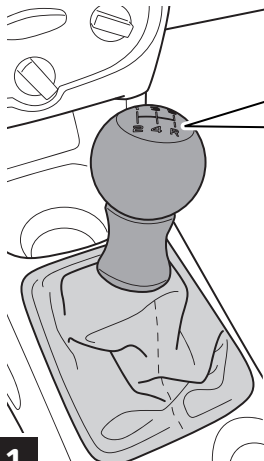
**1**

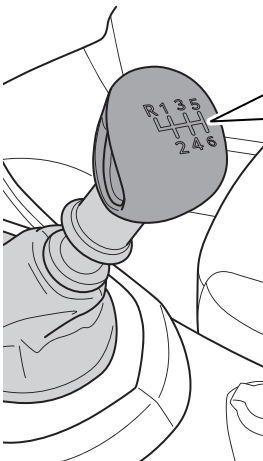
P/N = OK

## AFTER INSTALLATION

**1**

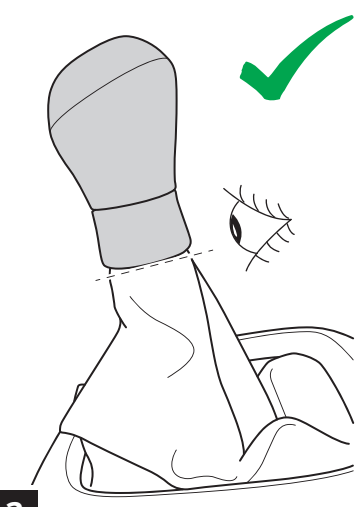
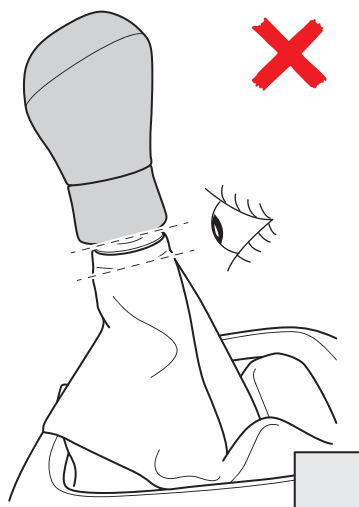


	✓
	✗


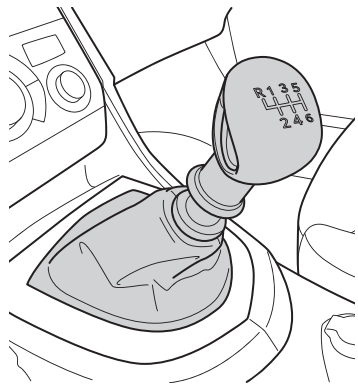
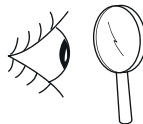


	✓
	✗

**2**


**3**

= OK

Installation Date:  
.. / .. / ..

Technician Name & Signature:

Stamp: