

Yaris

Rear Mudflaps

Installation Instructions

Model year: As from 2020/06
Vehicle code: **P*11*-BH***W
Part number: PW389-0D060

**Latest Version
SCAN HERE**



Manual reference number: AIM 006 404-0

CLICK TO NAVIGATE

REVISION RECORD



Page

3

KIT CONTENT



Page

4

TOOLS



Page

4

CONSUMABLES



Page

4

PERSONAL PROTECTION EQUIPMENT



Page

5

USEFUL GENERAL MANUALS



Page

5

GENERAL



Page

5

INSTALLATION INSTRUCTIONS



Pages

5 - 10

CHECK SHEET



Pages

11 - 12

THINK BEFORE YOU PRINT



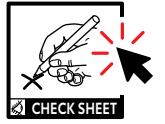
**ONLINE = LATEST VERSION
GO DIGITAL!**

Revision Record

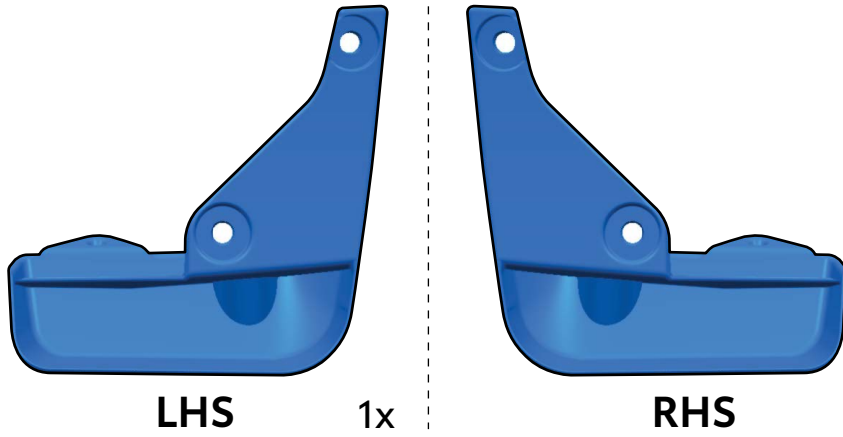
Rev. No.	Date	Page	Step	Remarks

KIT CONTENT

PW389-0D060



A



LHS

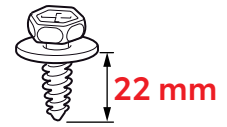
1x

RHS

x1

B

90159-50353



22 mm

x6

TOOLS

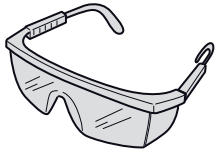
BRADLE PICK	RATCHET	TORQUE WRENCH	HEXAGONAL SOCKET	WIRE BRUSH
PHILIPS SCREW DRIVER	2 POST CAR LIFT	TROLLEY JACK	PLASTIC TRIM REMOVAL TOOL	TORQUE STICK
DRILL	COBALT DRILL BIT	SOCKET/IMPACT TOOL		

CONSUMABLES

CLEANER / DEGREASER SPRAY	CHALK			

PERSONAL PROTECTION EQUIPMENT

SAFETY GLASSES

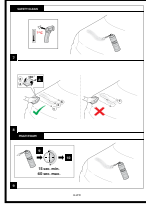


USEFUL GENERAL MANUALS

CLEANER / DEGREASER



Latest Version
SCAN HERE



SYMBOLS



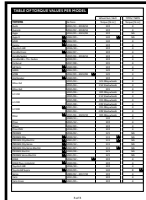
Latest Version
SCAN HERE



WHEEL TORQUE VALUES



Latest Version
SCAN HERE



GENERAL



Info

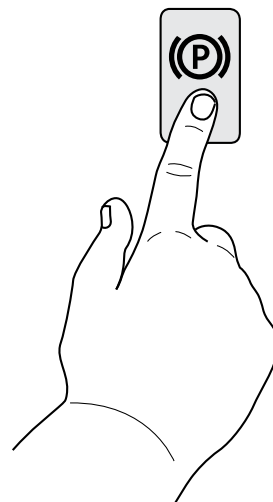


Material Safety Data Sheet

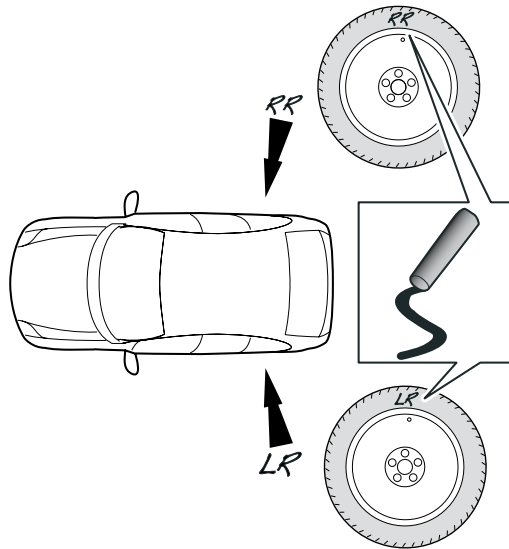
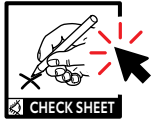


Technical Data Sheet

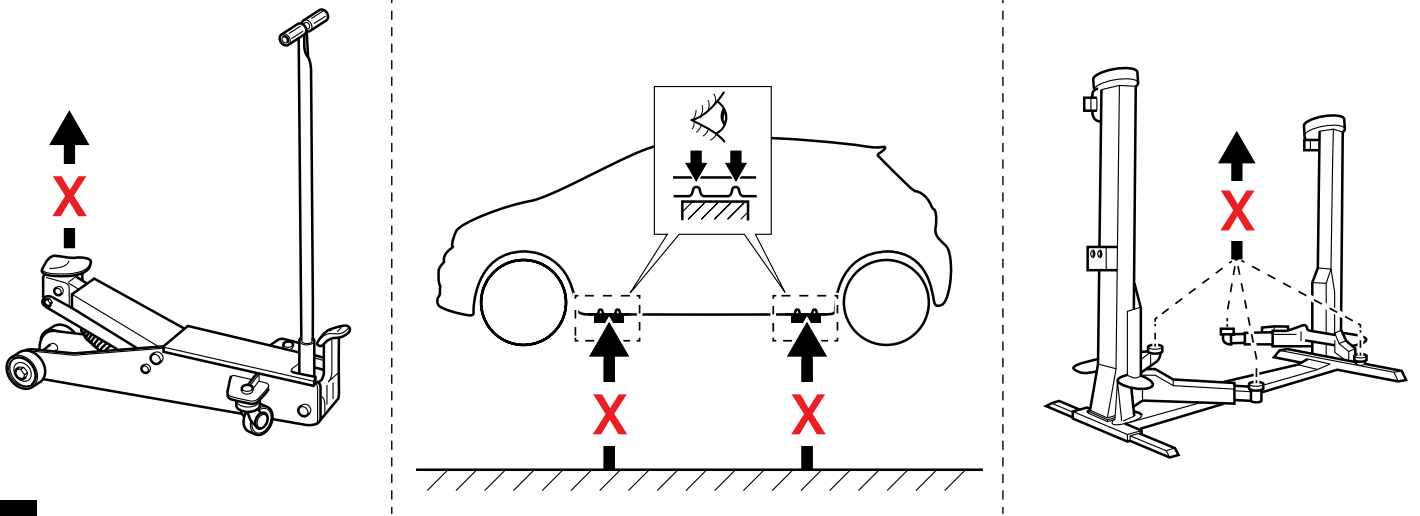
INSTALLATION INSTRUCTIONS



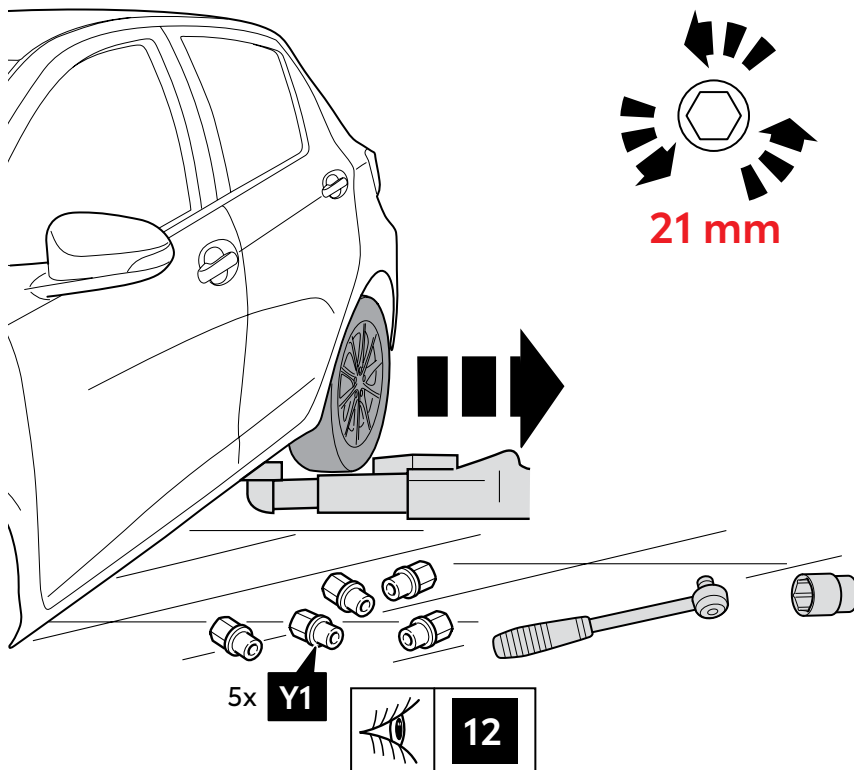
1



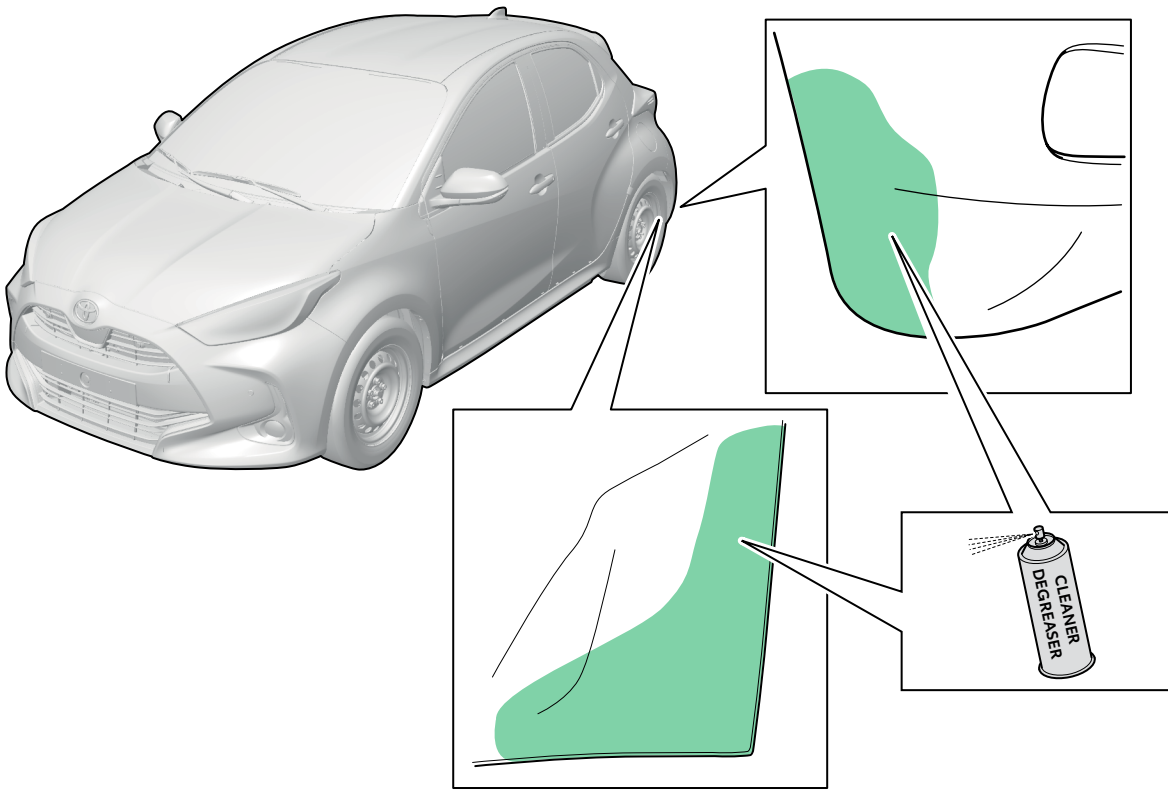
2



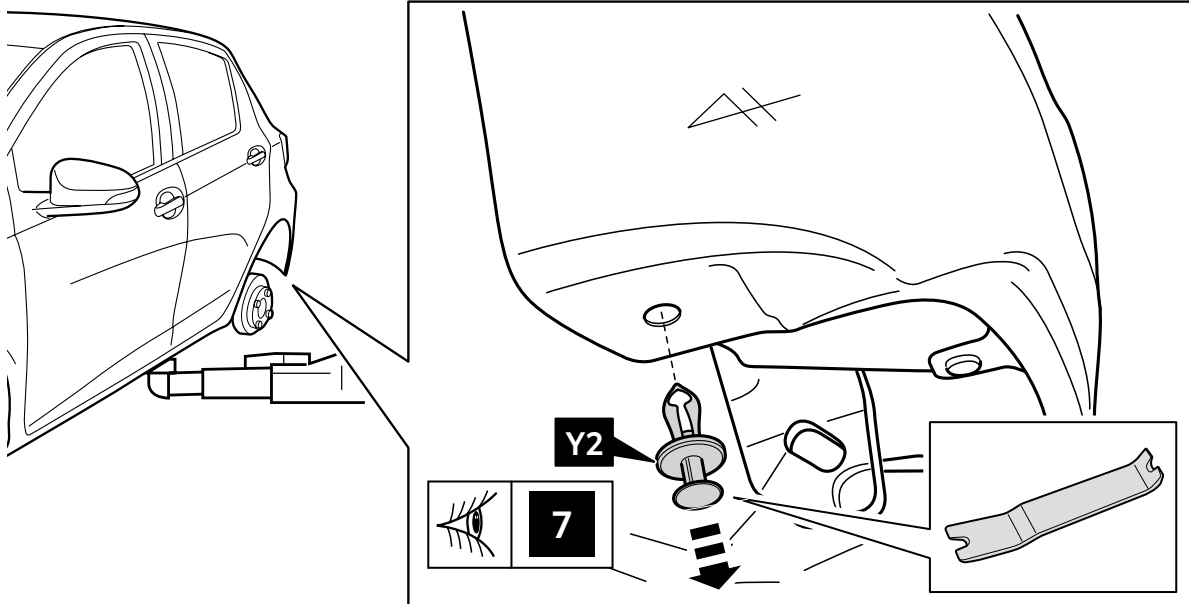
3



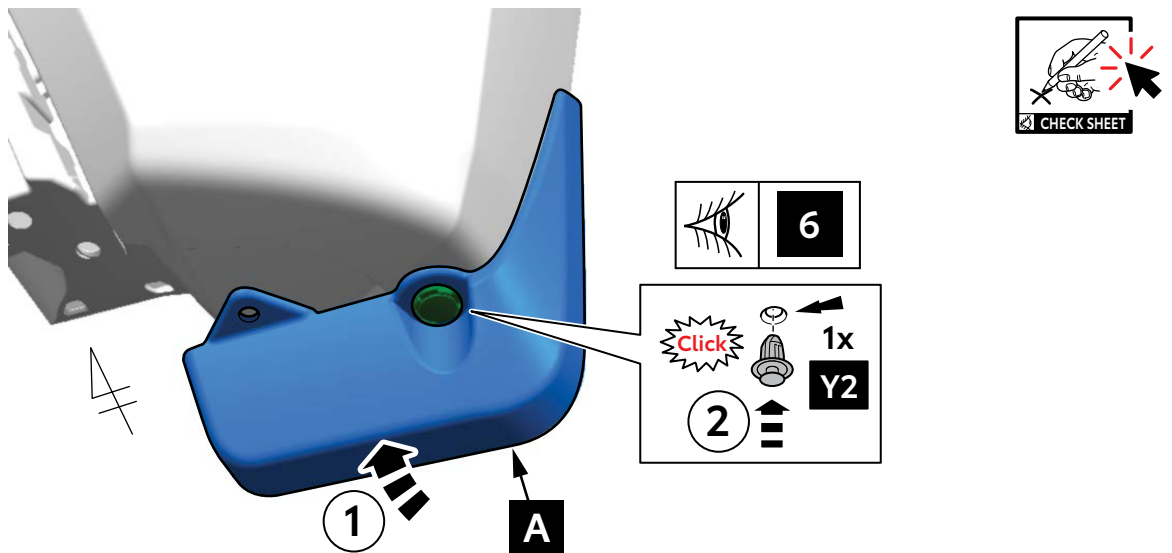
4



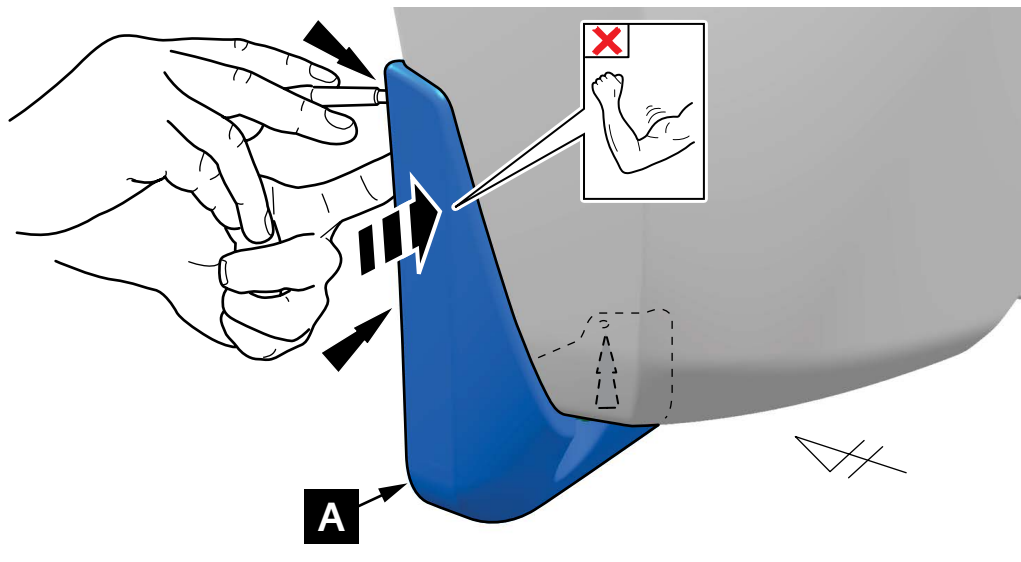
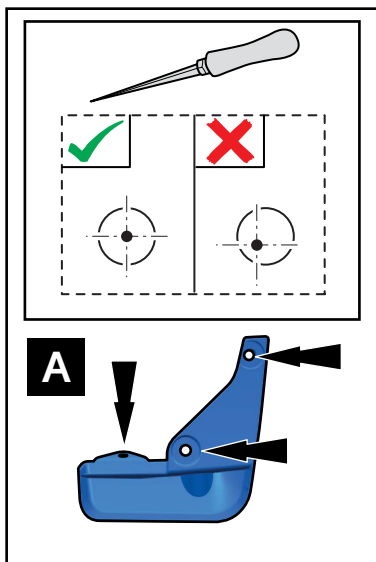
5



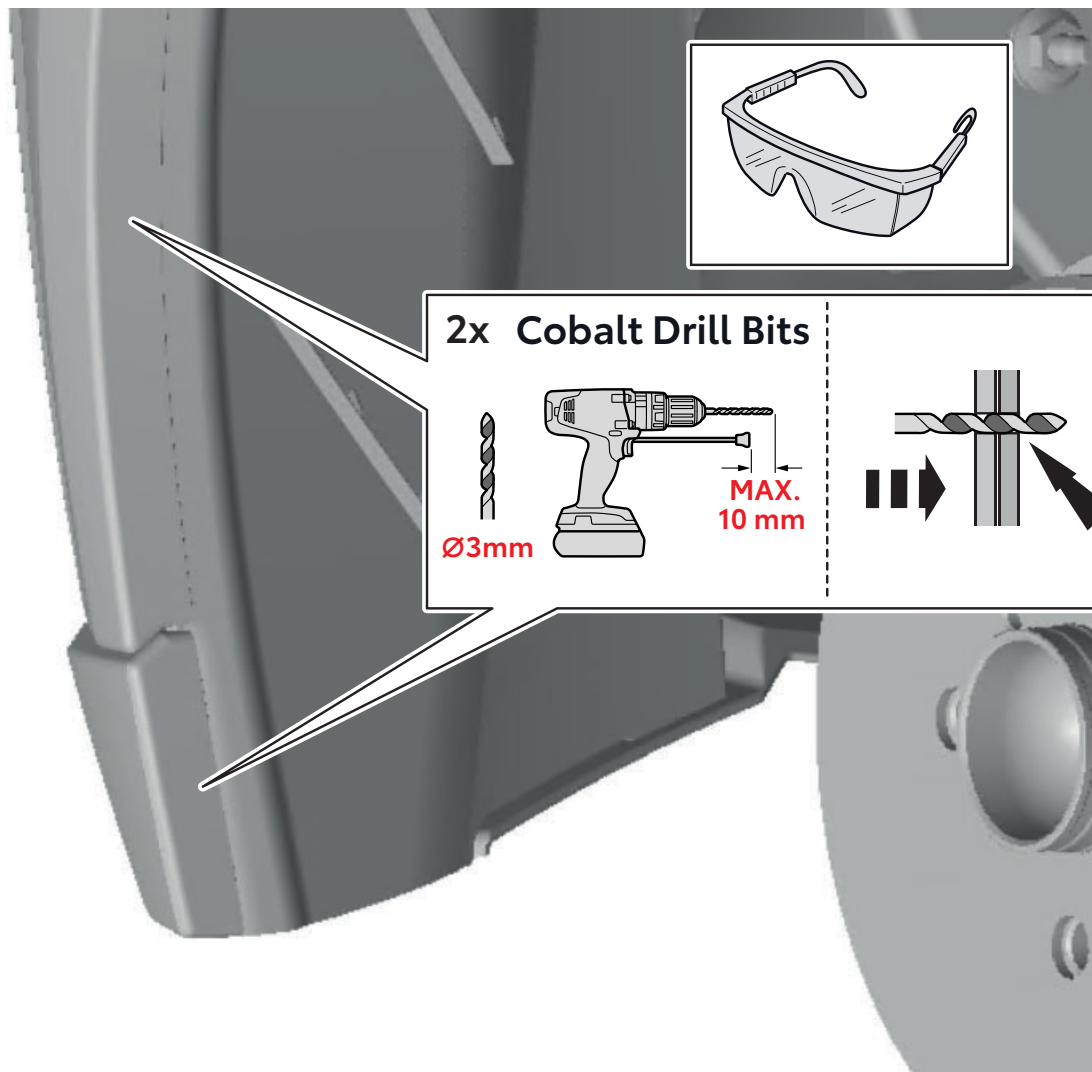
6



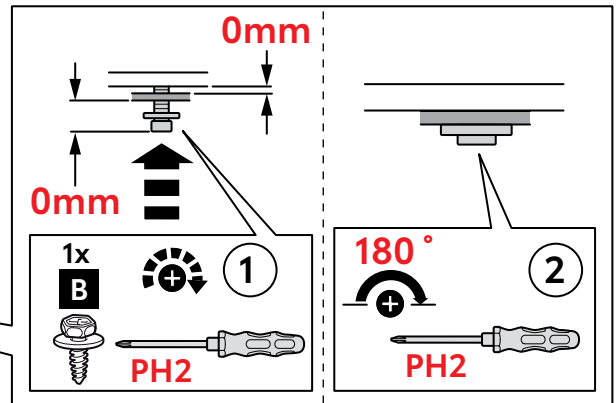
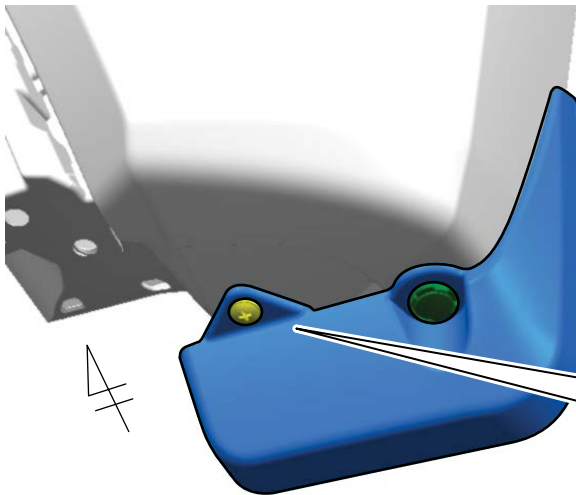
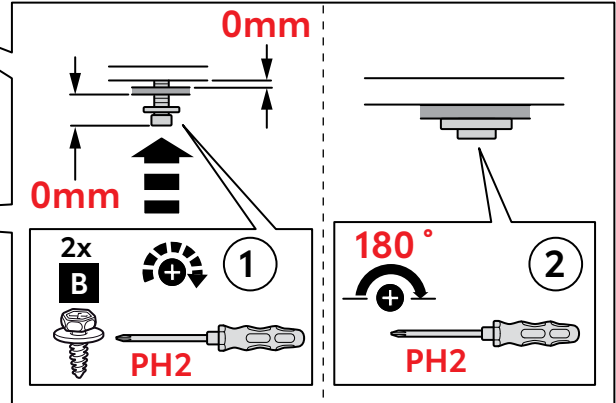
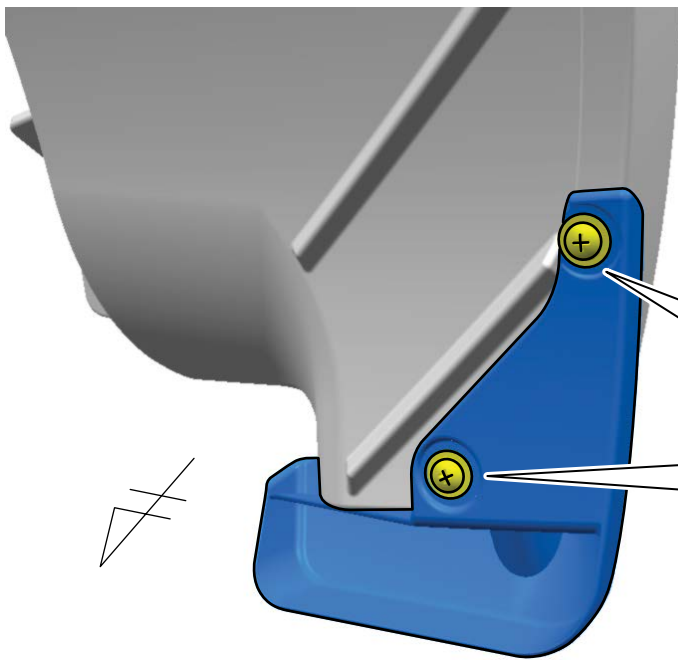
7



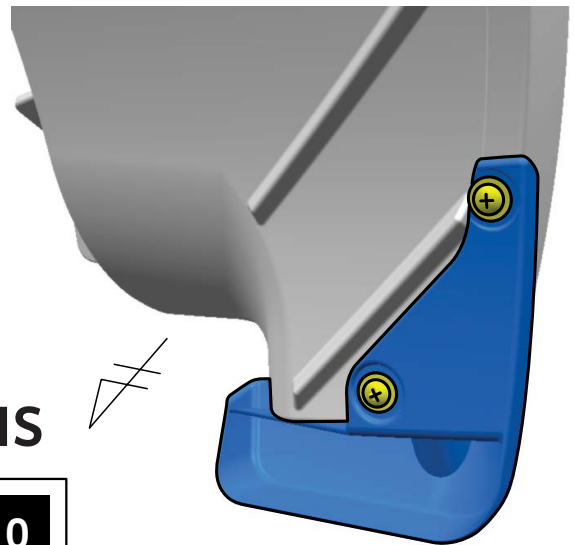
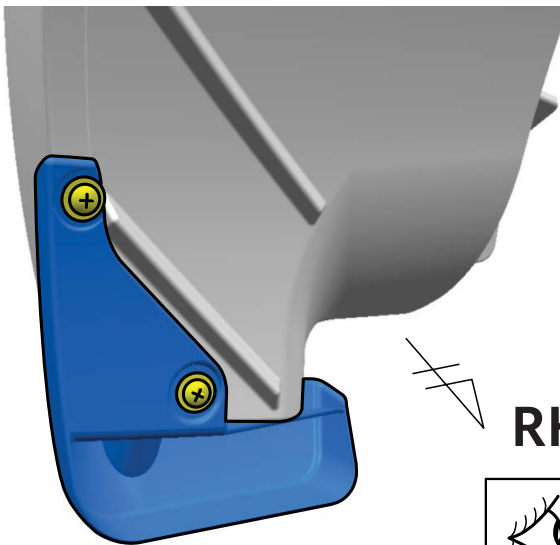
8



9



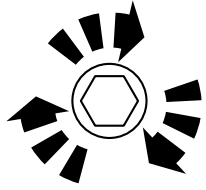
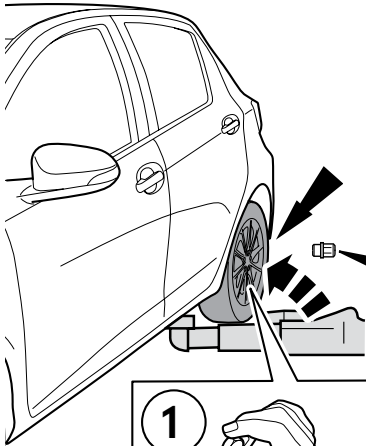
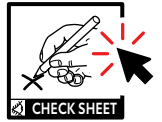
10



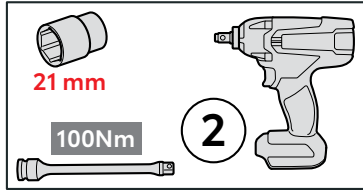
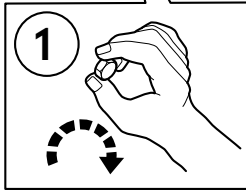
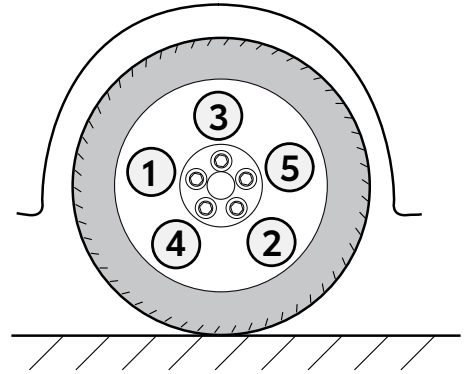
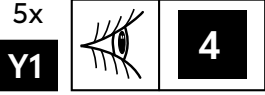
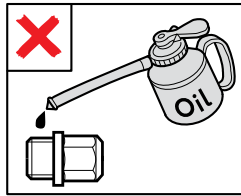
RHS = LHS



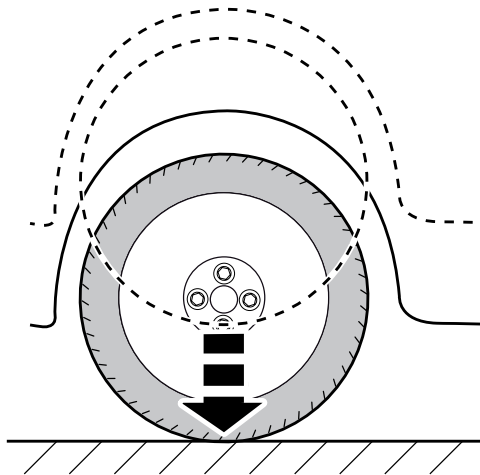
11



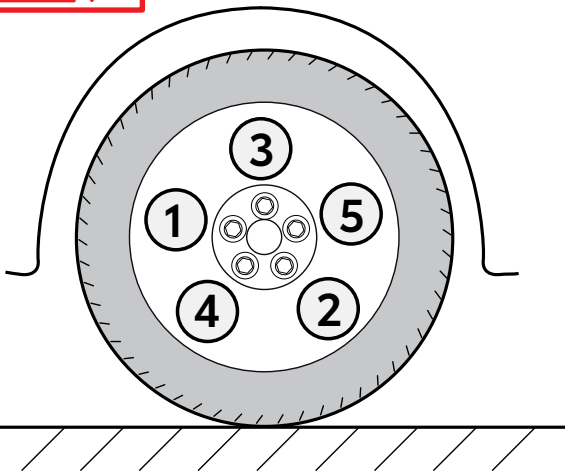
21 mm



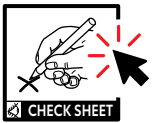
12



13



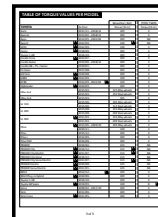
Click



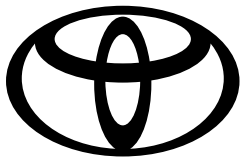
?? Nm

WHEEL TORQUE VALUES

Latest Version
SCAN HERE



14



CHECK SHEET

Page 1 of 2

Model/Year

Yaris

Rear Mudflaps

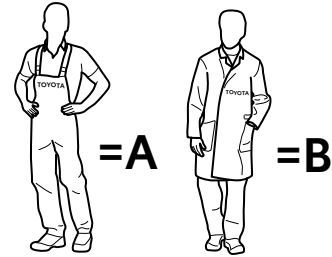
As from 2020/06

VINn°

DURING INSTALLATION

1

= OK
P/N = OK



2

?? Nm
see AIM 004 425-*

Serial Number

A B

3

RR = LR = OK

LR = LR = OK

A

B

AFTER INSTALLATION

1

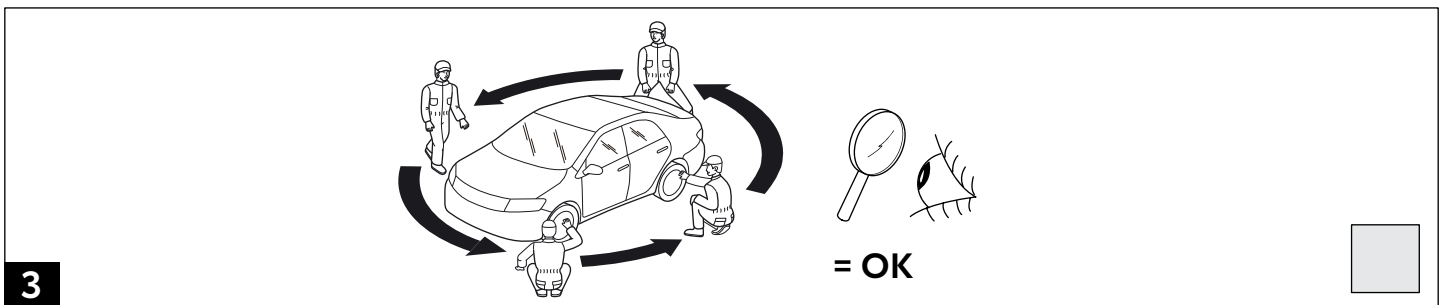
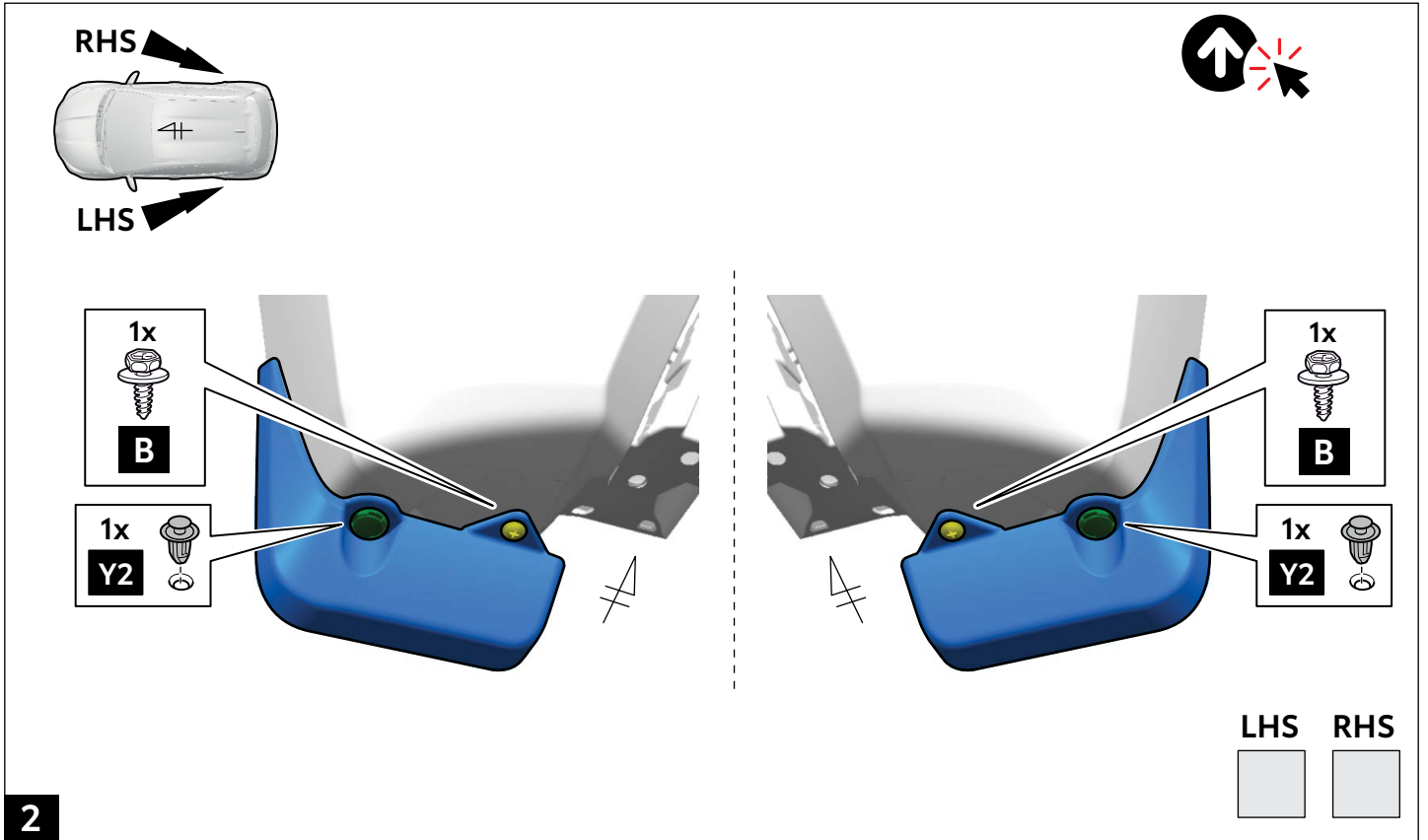
RHS

LHS

2x **B**

2x **B**

LHS RHS



Installation Date:

. . / . . /

Technician Name & Signature:

Stamp: