



TOYOTA

ALWAYS A
BETTER WAY

AYGO

Interior Exchange Panels

Installation Instruction

Model year: 2014/05, 2018/05

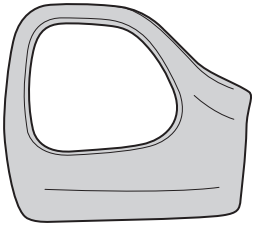
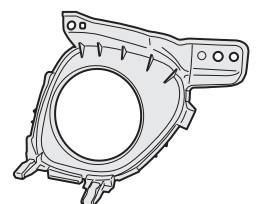
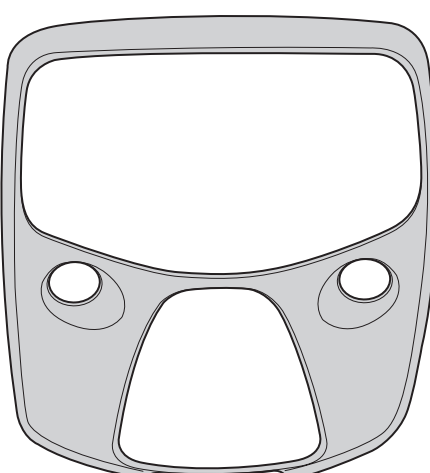

Vehicle code: **B40**-A***KW

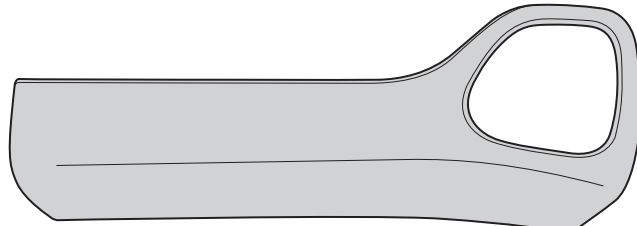
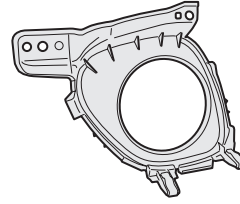
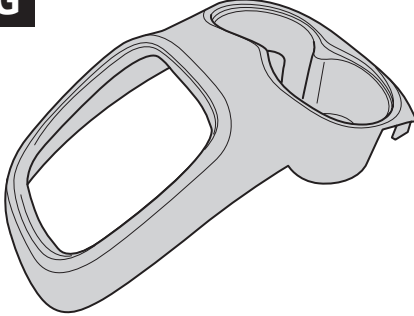
Part number:	58804-0H030-**, PZ41F-90156-E0	Gear shift surround
	55405-0H0*0-**, PZ41F-90150-E0, PZ41F-90151-E0	Centre console
	55661-0H0*0-**	Air vent surround, LH
	55662-0H0*0-**	Air vent surround, RH
	55474-0H0*0-**, PZ41F-90152-E0, PZ41F-90153-E0	Dashboard, driver side
	55475-0H0*0-**, PZ41F-90154-E0, PZ41F-90155-E0	Dashboard, passenger side
	PW227-0H100-DF	LHD driver side
	PW227-0H200-DF	LHD passenger side
	PW227-0H101-DF	RHD driver side
	PW227-0H201-DF	RHD passenger side

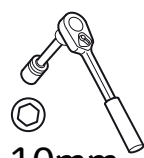
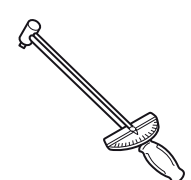



Manual reference number: AIM 003 212 - 4

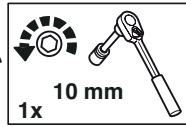
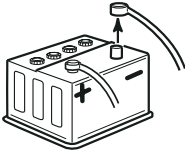
Revision Record

Rev. No.	Date	Page	Picture	Update	New	Deleted steps
1	24-06-14	2, 3, 8, 9	tools, 1, 11, Check Sheet	X	12	
2	10-07-14	2 - 8	1 - 11	X		
3	19-01-17	1		Part numbers		
4	26-02-18	1, 8, 9	12, Check Sheet	X	Model year	

<p>A</p>  <p>55474-0H0*0-**</p> <p style="text-align: right;">1x</p>	<p>B</p>  <p>55661-0H0*0-**</p> <p style="text-align: right;">1x</p>	<p>D</p>  <p>55405-0H0*0-**</p> <p style="text-align: right;">1x</p>
<p>C</p>  <p>93568-55014 OPTION 2</p> <p style="text-align: right;">4x</p>		

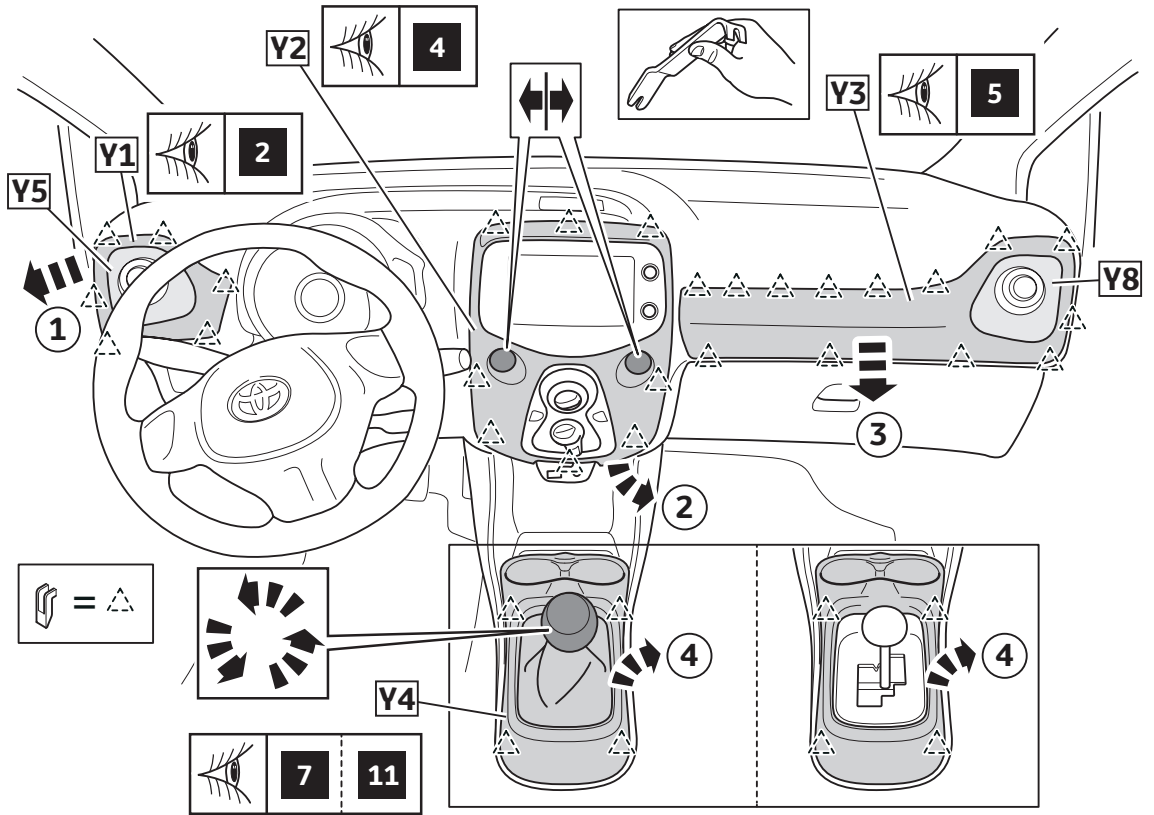
<p>E</p>  <p>55475-0H0*0-**</p> <p style="text-align: right;">1x</p>	<p>F</p>  <p>55662-0H0*0-**</p> <p style="text-align: right;">1x</p>	<p>G</p>  <p>58804-0H030-**</p> <p style="text-align: right;">1x</p>
---	---	--

 <p>10mm</p>				<p>⊕</p> <p>ph2</p> 
--	---	---	--	---

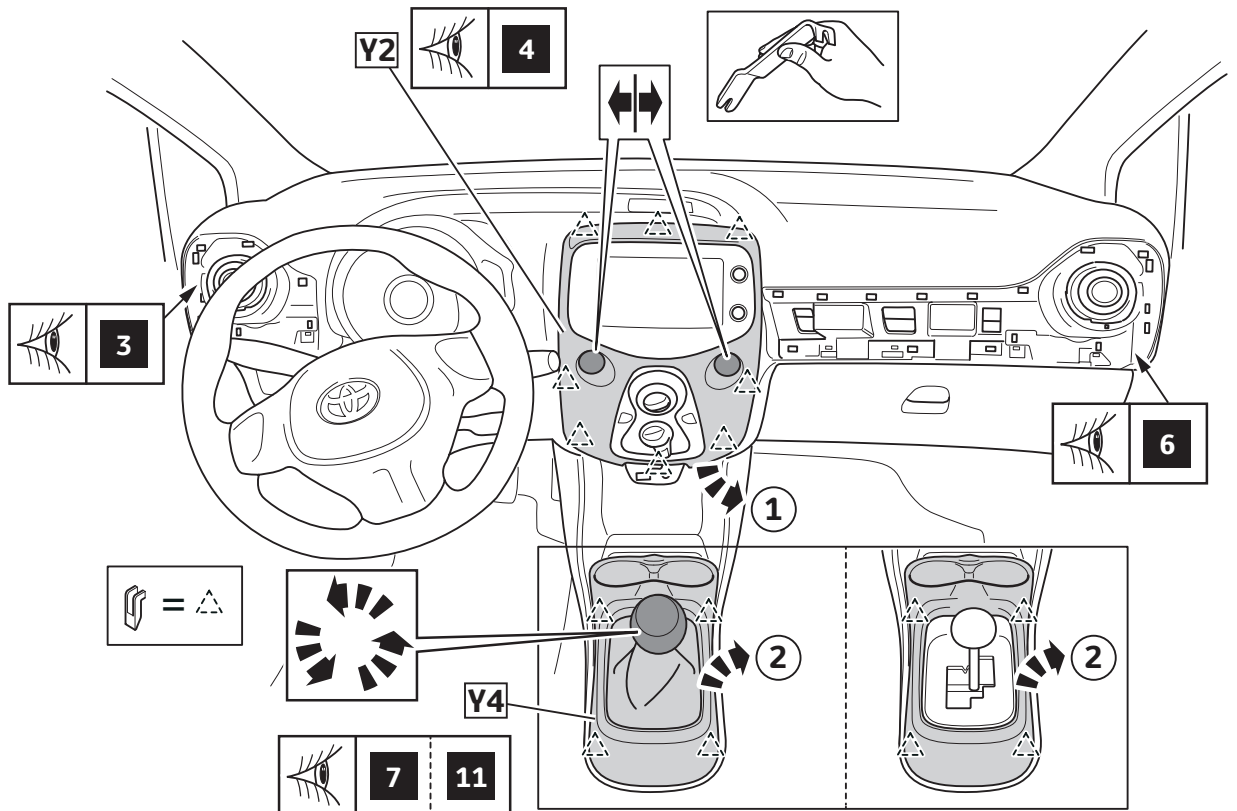


LHD=RHD

Option 1

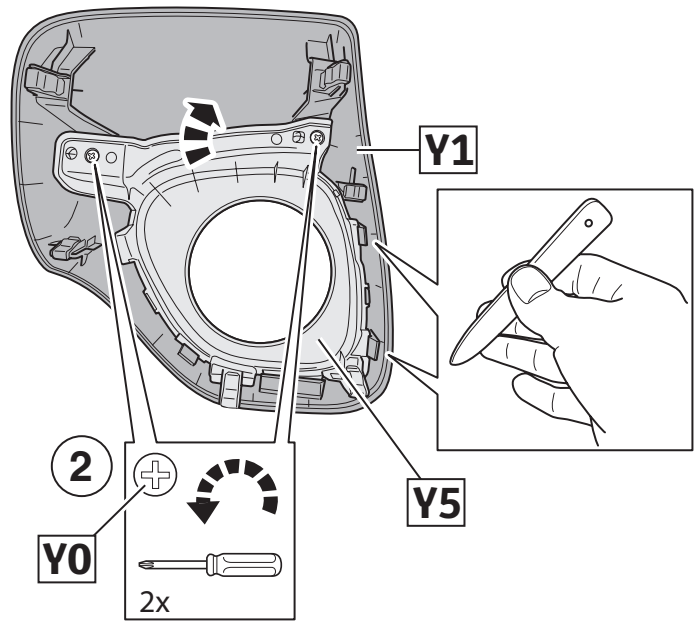
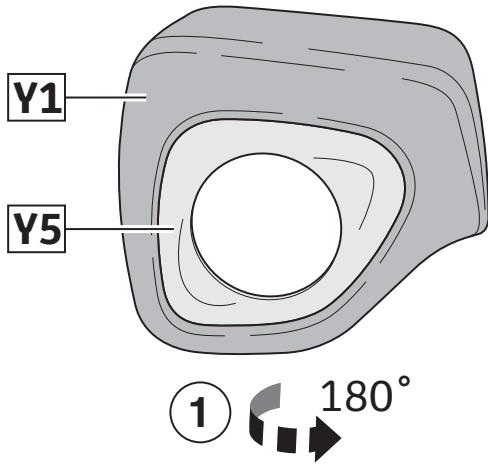


Option 2=+ C



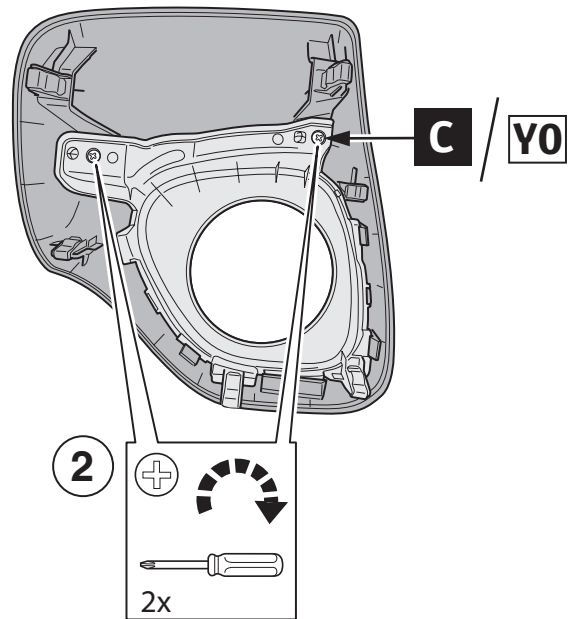
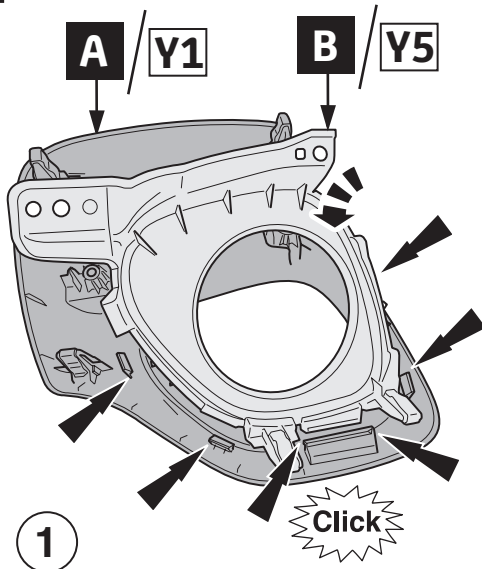
1

Option 1



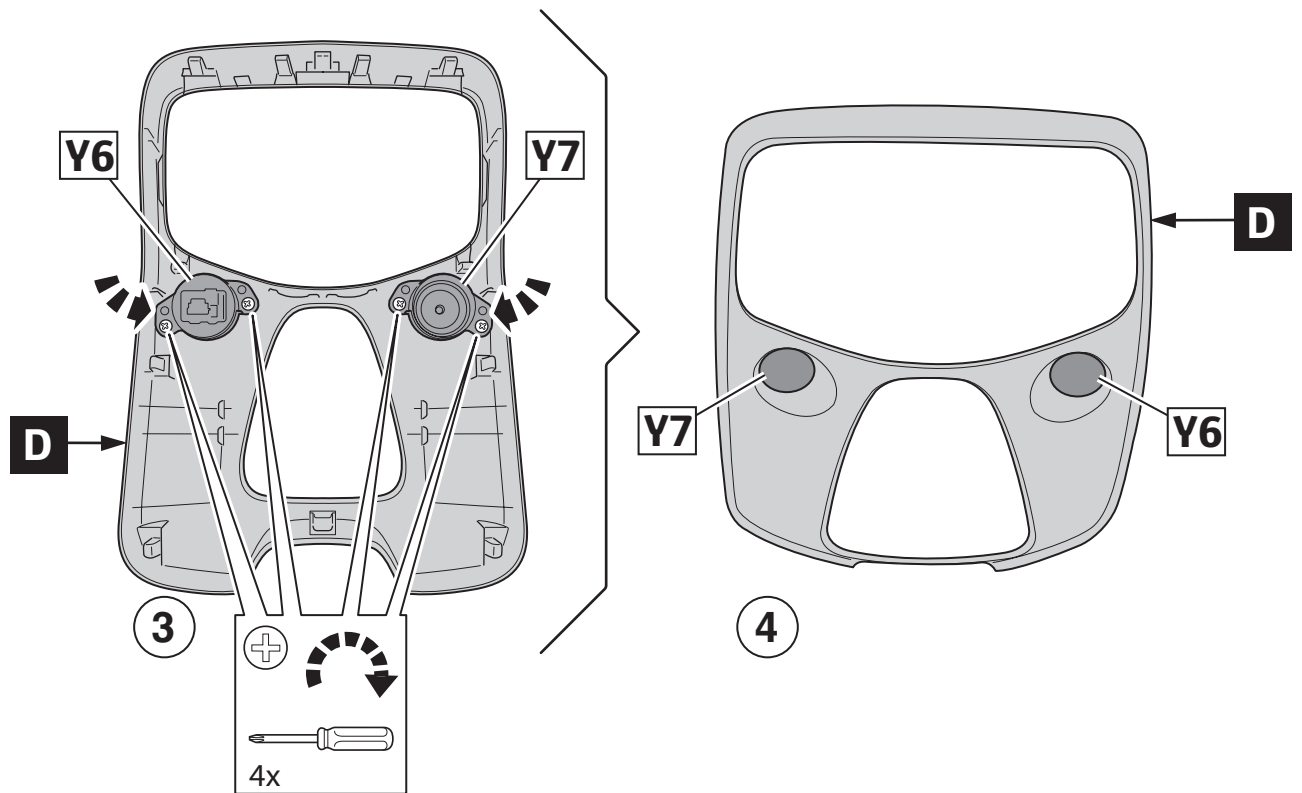
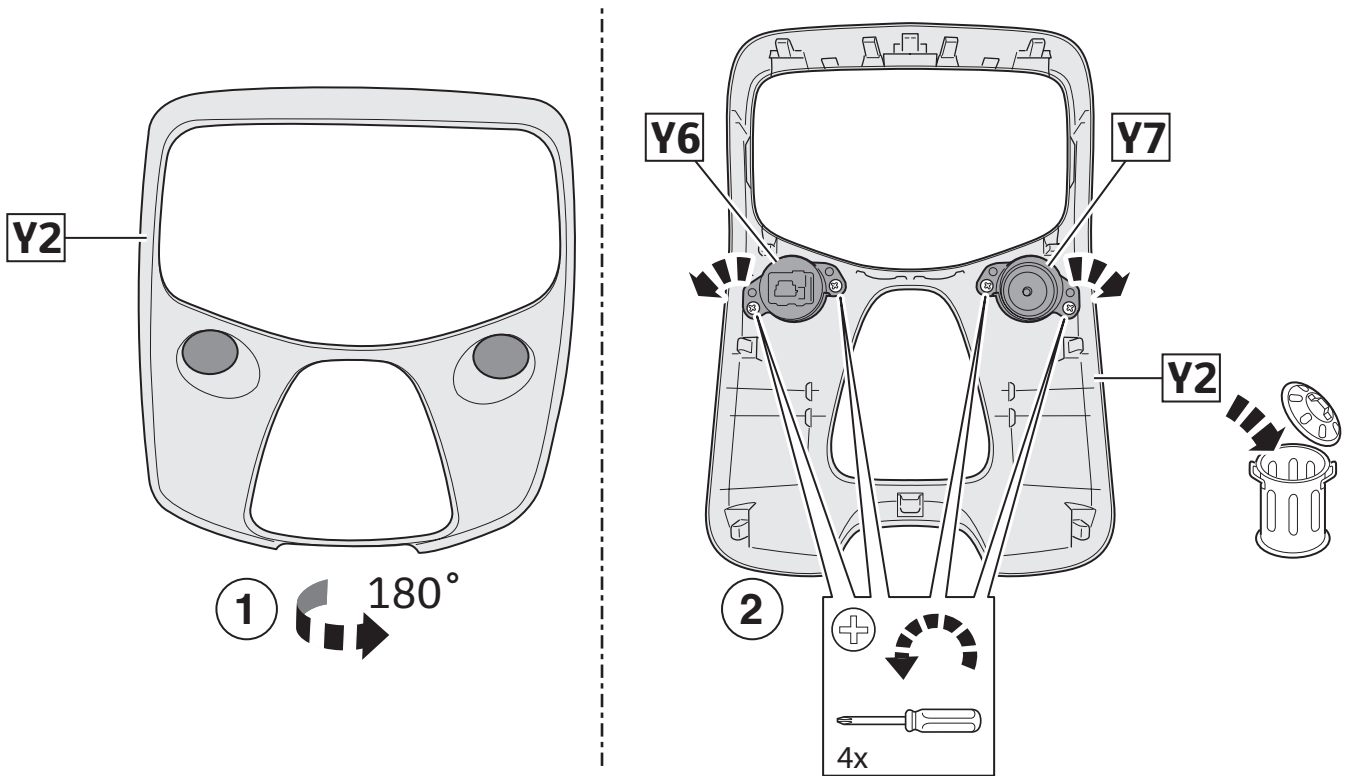
2

Option 1+2



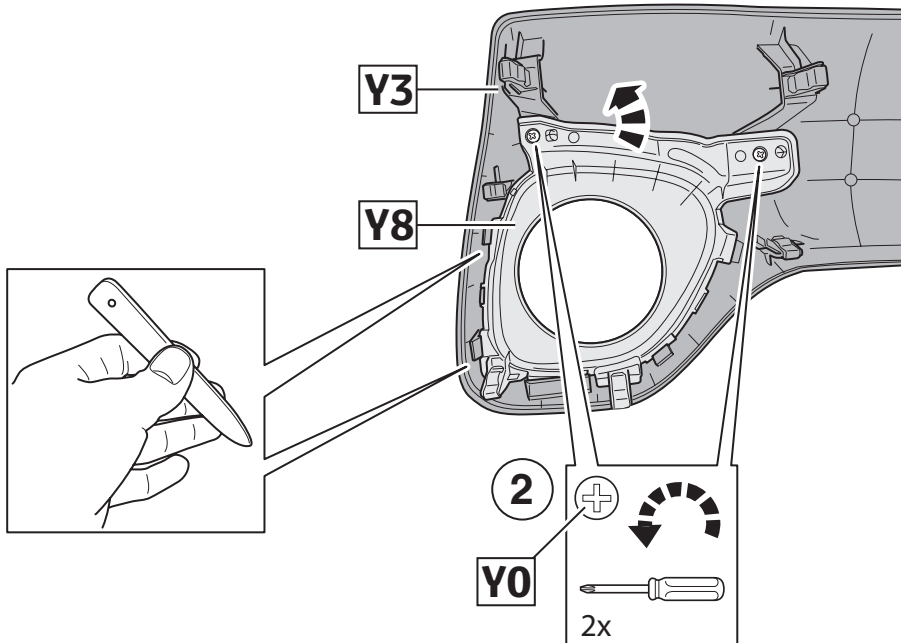
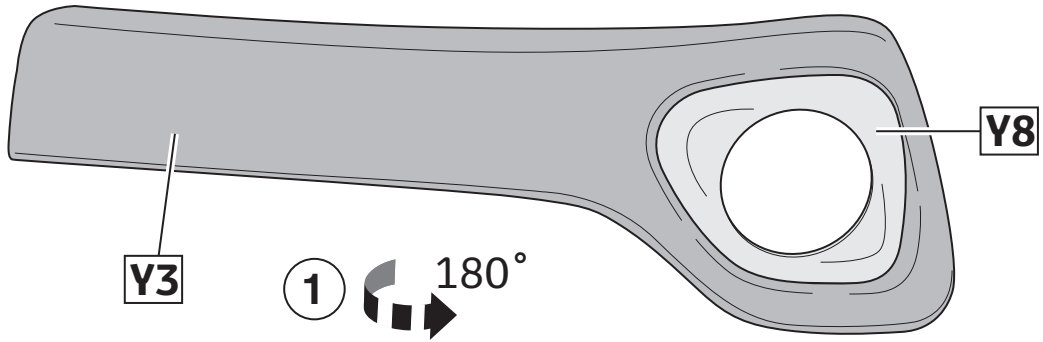
3

Option 1+2



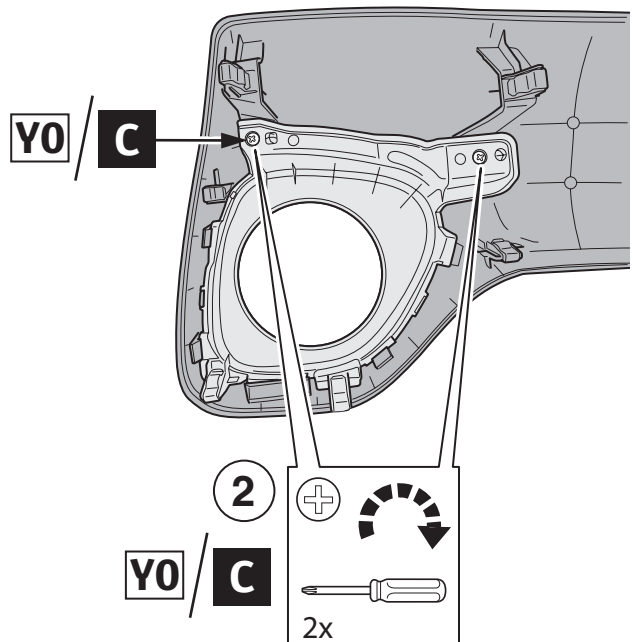
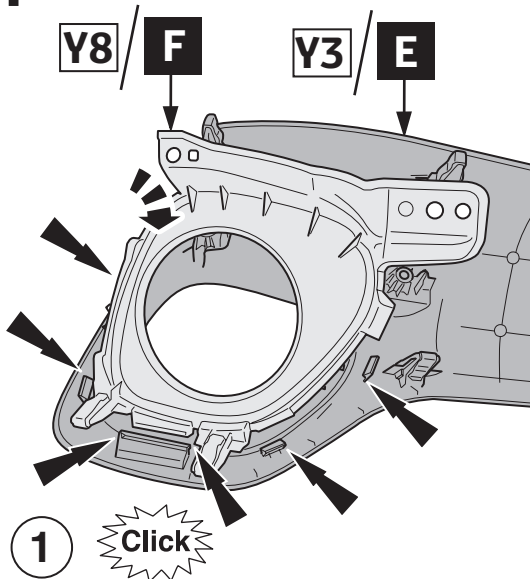
4

Option 1



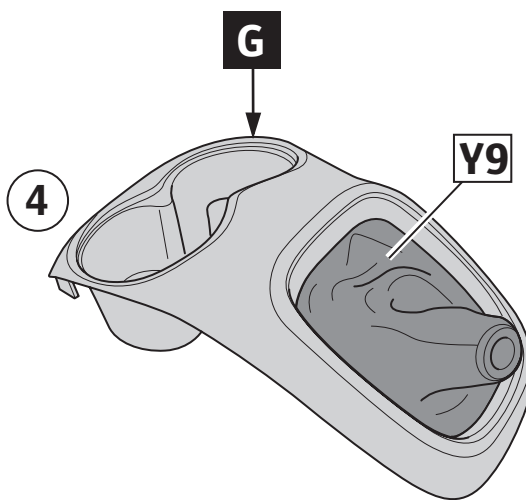
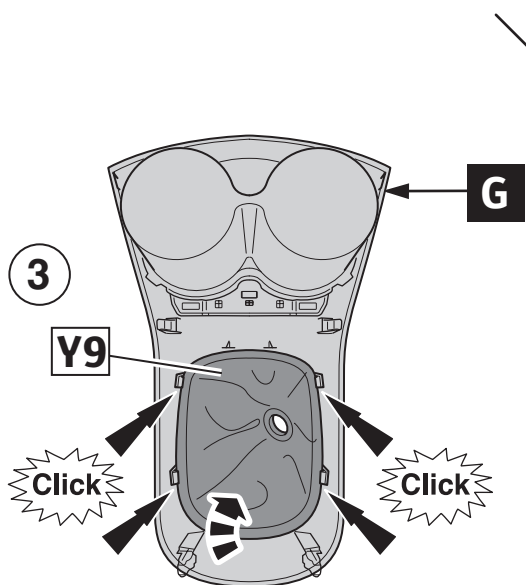
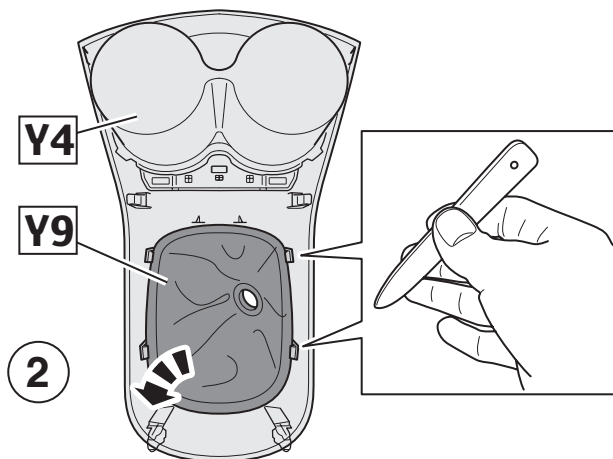
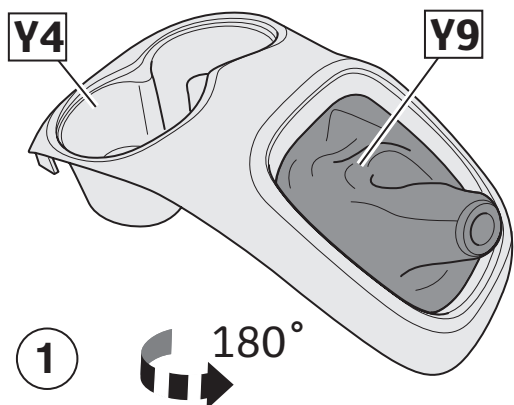
5

Option 1+2



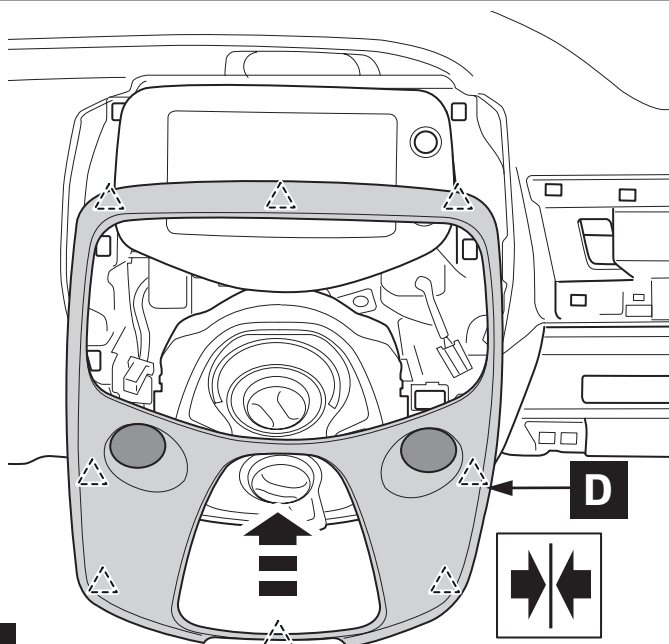
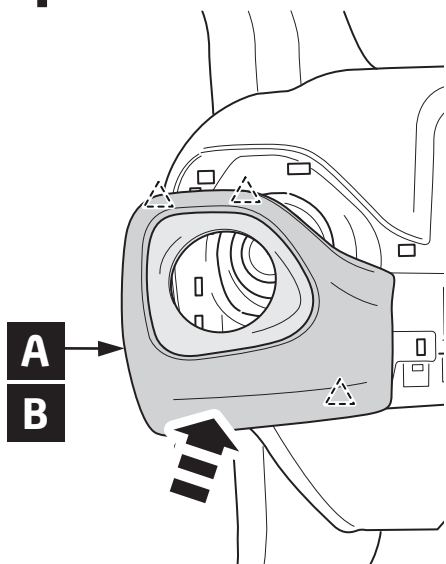
6

Option 1+2

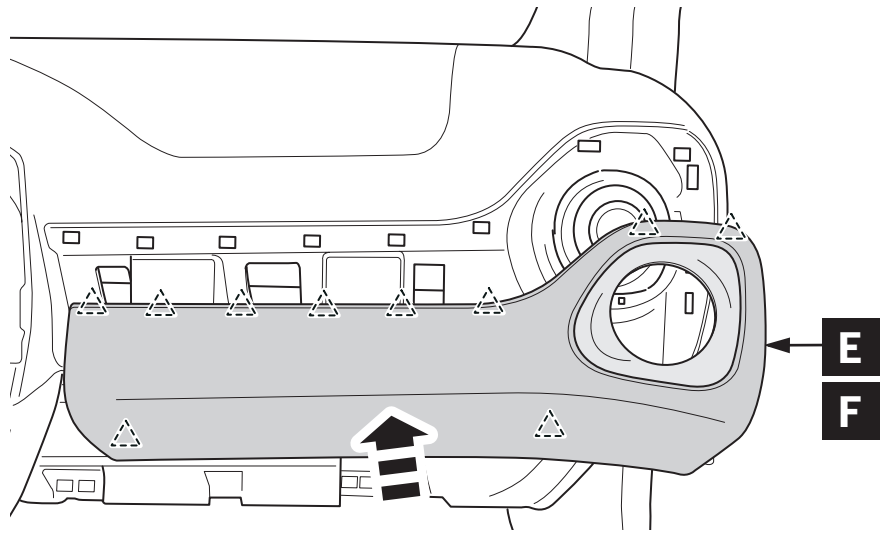


7

Option 1+2

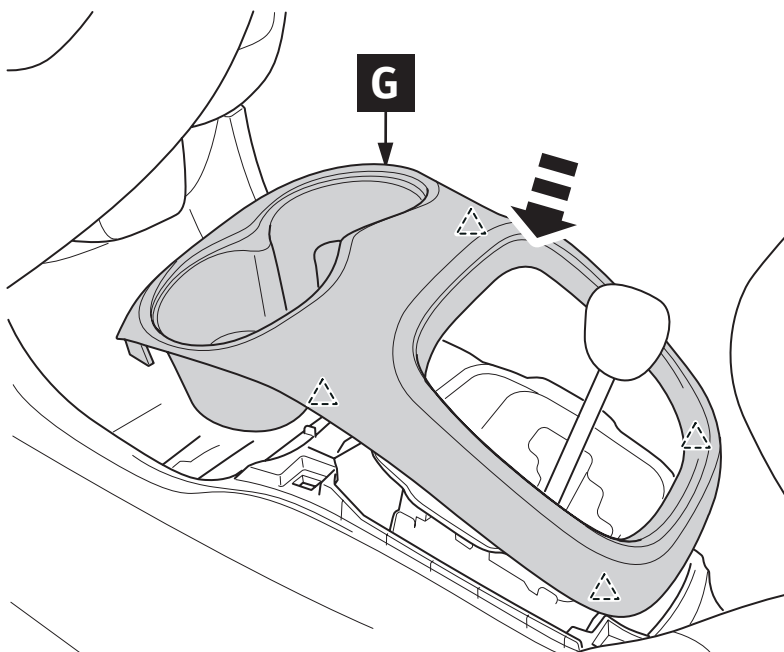
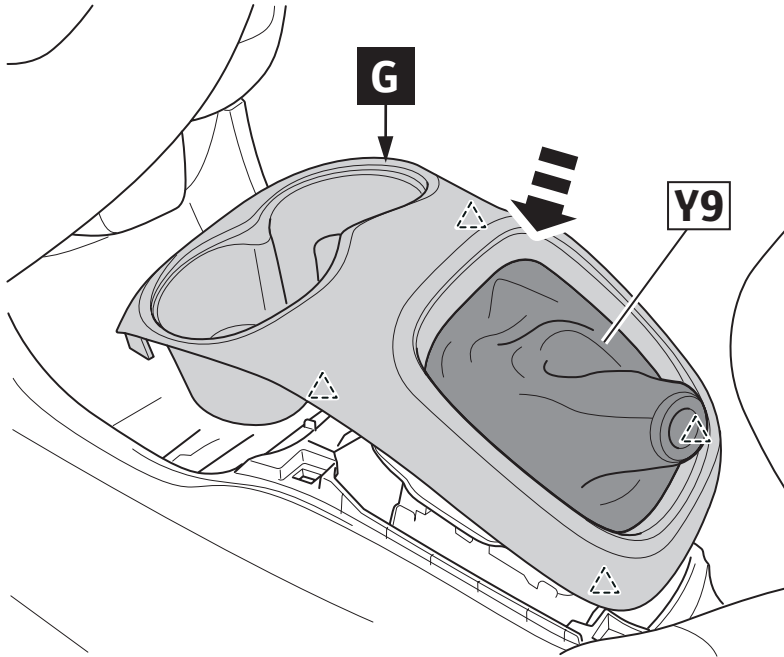


Option 1+2

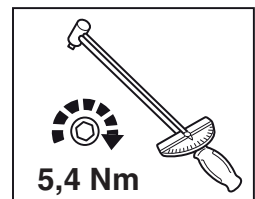
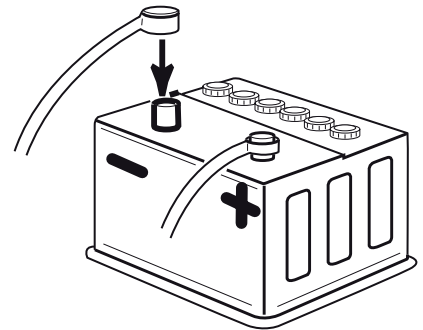


10

Option 1+2



11



12

CHECK SHEET



TOYOTA


Model / Year

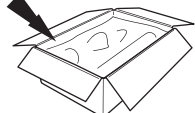
AYGO
2014/05, 2018/05

**Interior Exchange
Panels**

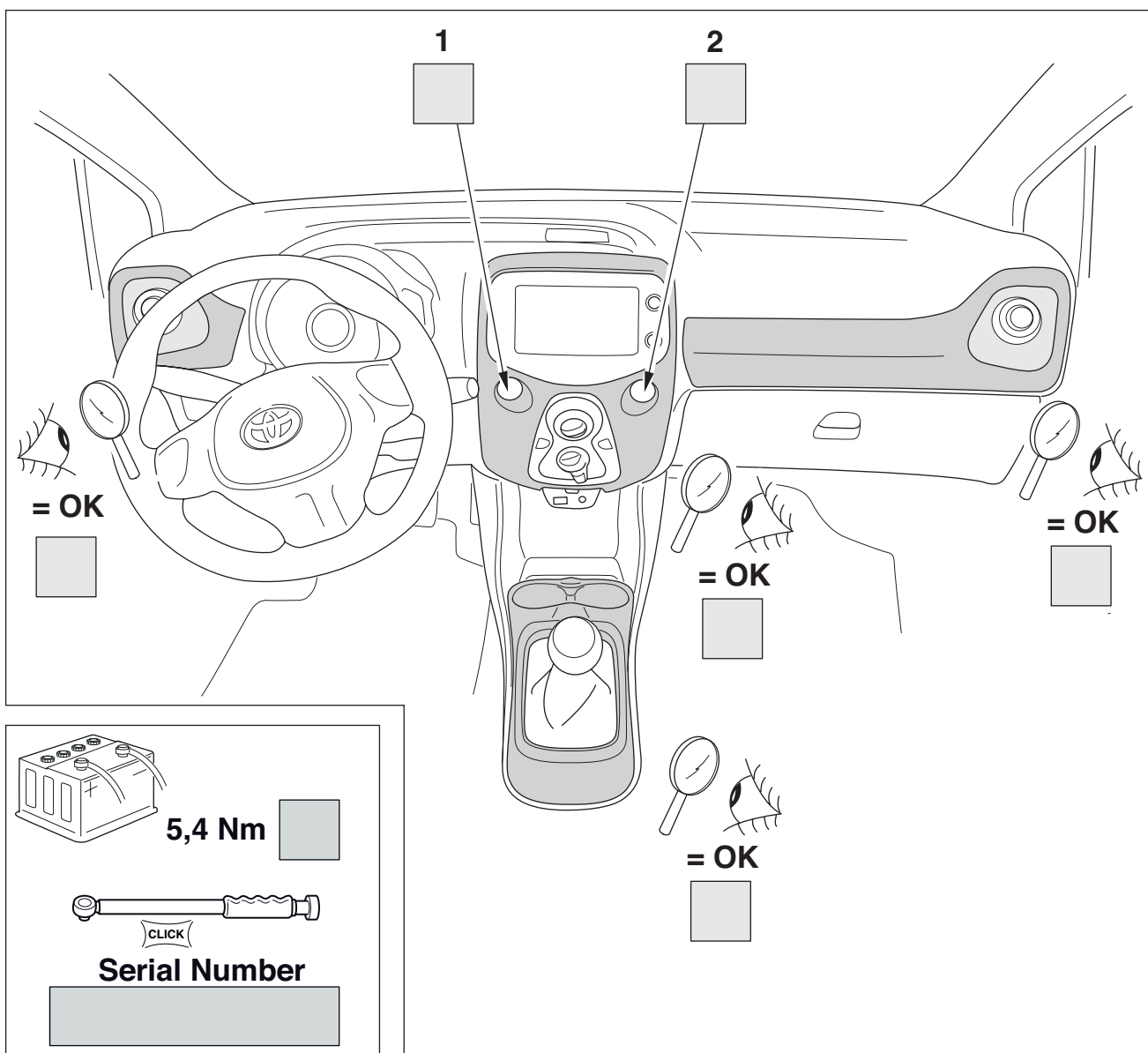
ALWAYS A
BETTER WAY

VIN n°

 **P/N = OK**



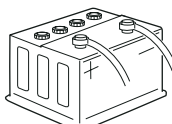
1 **2**

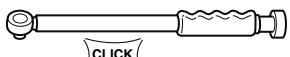


= OK **= OK**

= OK **= OK**

= OK

 **5,4 Nm**

 **Serial Number**

Installation Date:

.. / .. / ..

Technician Name & Signature:

Stamp: