

Yaris

Front Mudflaps

Installation Instructions

Model year: As from 2020/06

Vehicle code: **P*11*-BH***W
MXP*1**-*H**BW

Part number: PW389-0D050

Latest Version
SCAN HERE



Manual reference number: AIM 006 403-0

CONTENT

CLICK TO NAVIGATE



REVISION RECORD



Page

3

KIT CONTENT



Page

4

GENERAL



Page

4

TOOLS



Page

4

CONSUMABLES



Page

4

USEFUL GENERAL MANUALS



Page

4

INSTALLATION INSTRUCTIONS



Pages

5 - 6

CHECK SHEET



Page

7

THINK BEFORE YOU PRINT



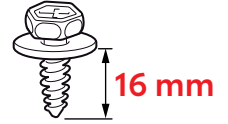
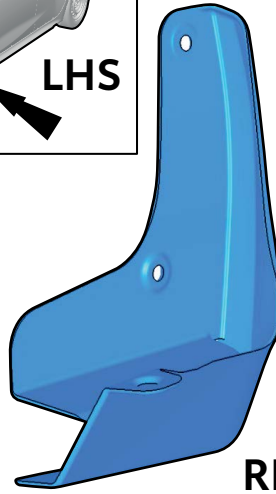
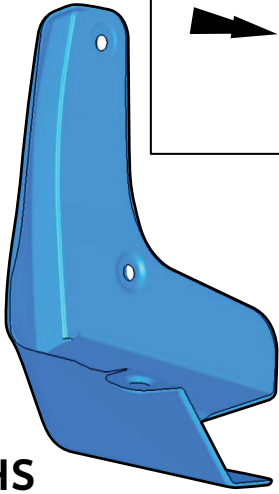
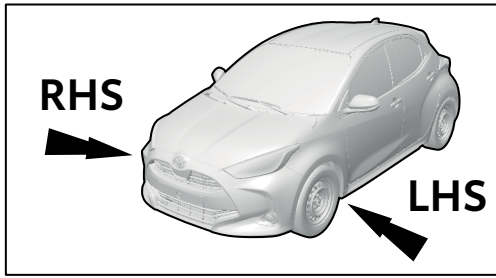
**ONLINE = LATEST VERSION
GO DIGITAL!**

Revision Record

Rev. No.	Date	Page	Step	Remarks

KIT CONTENT

PW389-0D050

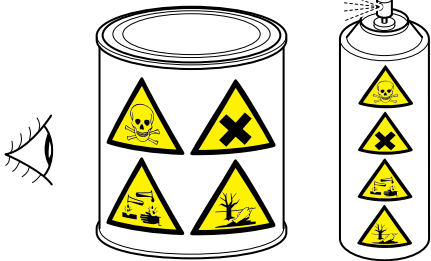


A LHS x1

B RHS x1

C 90159-60602 x2

GENERAL



Material Safety Data Sheet



Technical Data Sheet

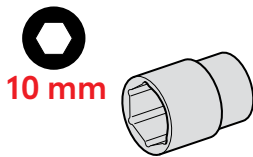
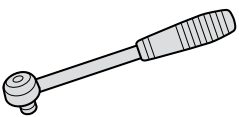
TOOLS

CONSUMABLES

RATCHET

HEXAGONAL SOCKET

CLEANER / DEGREASER SPRAY



USEFUL GENERAL MANUALS

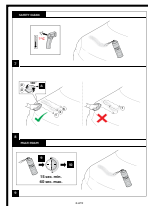
CLEANER / DEGREASER



SYMBOLS



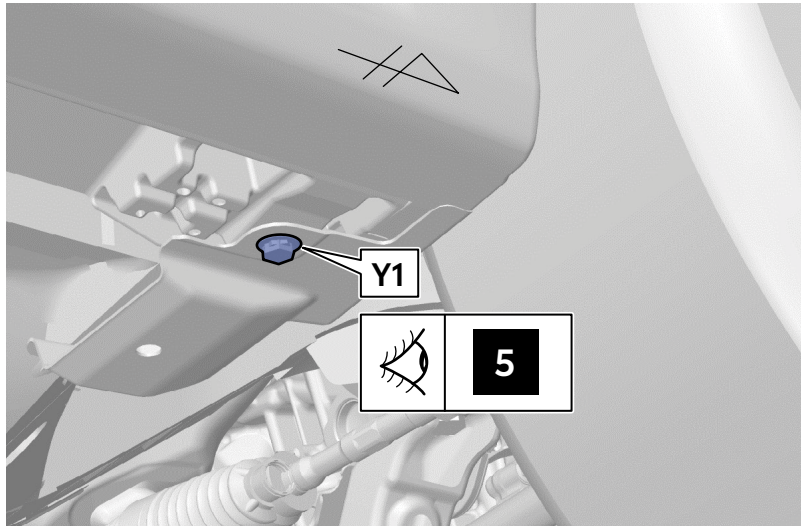
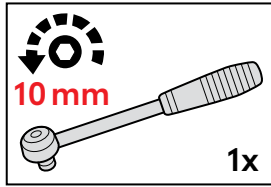
Latest Version
SCAN HERE



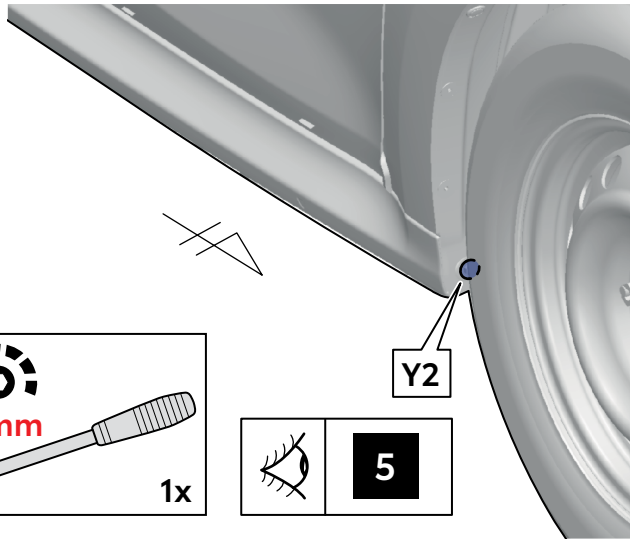
Latest Version
SCAN HERE



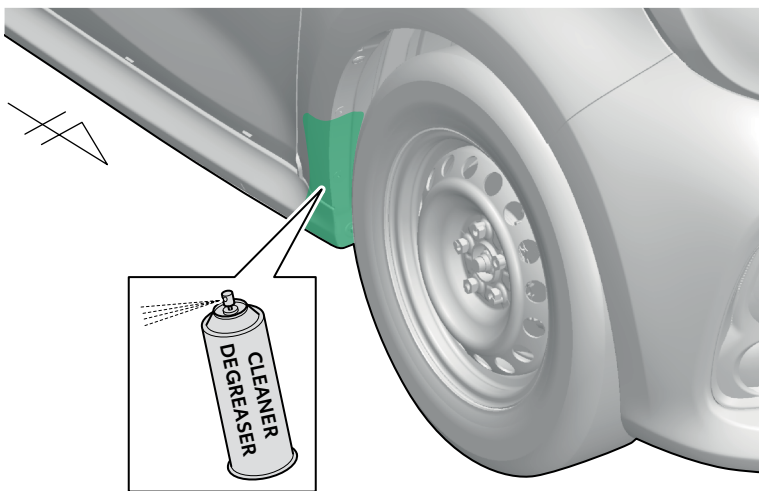
INSTALLATION INSTRUCTIONS



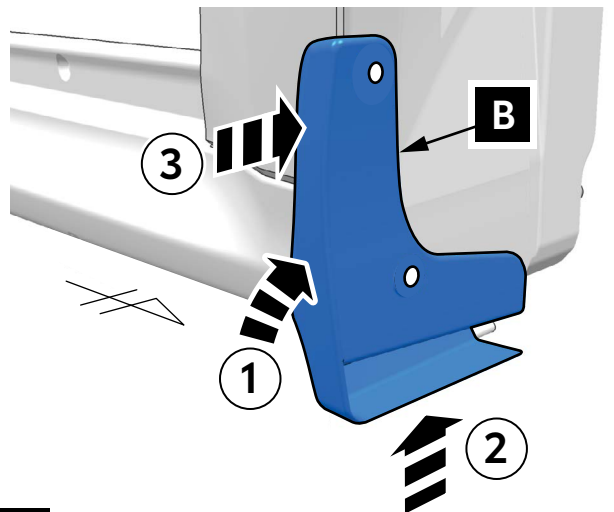
1



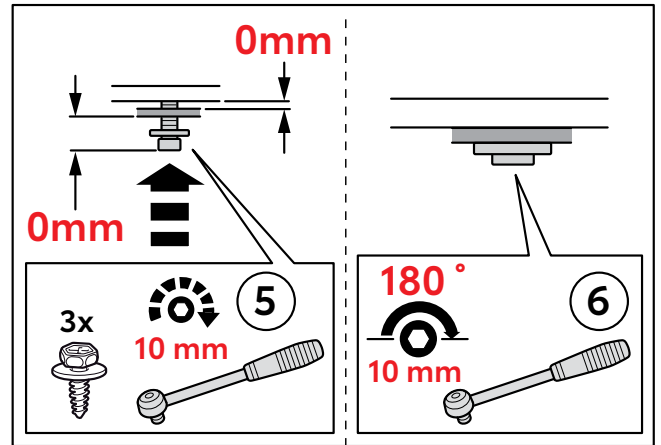
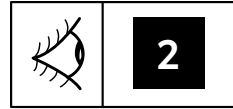
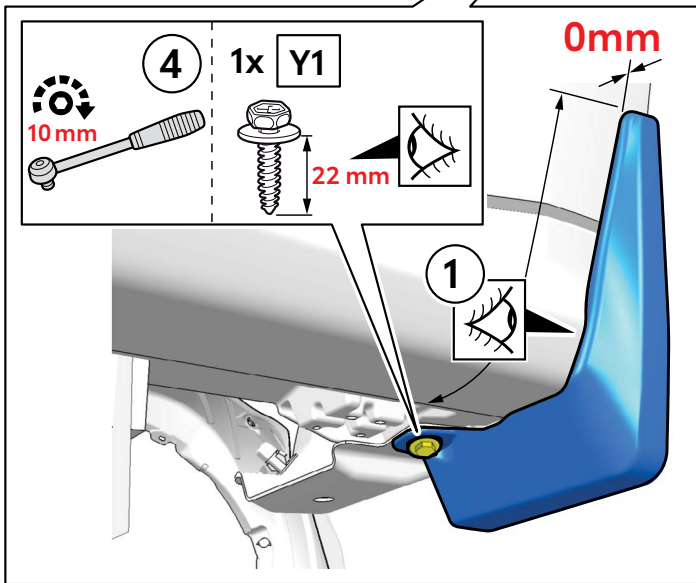
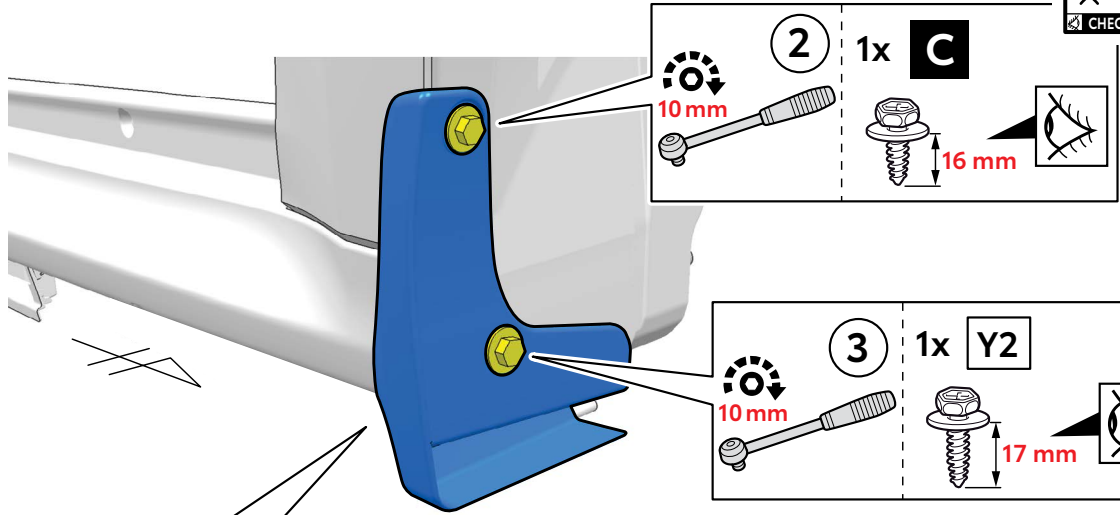
2



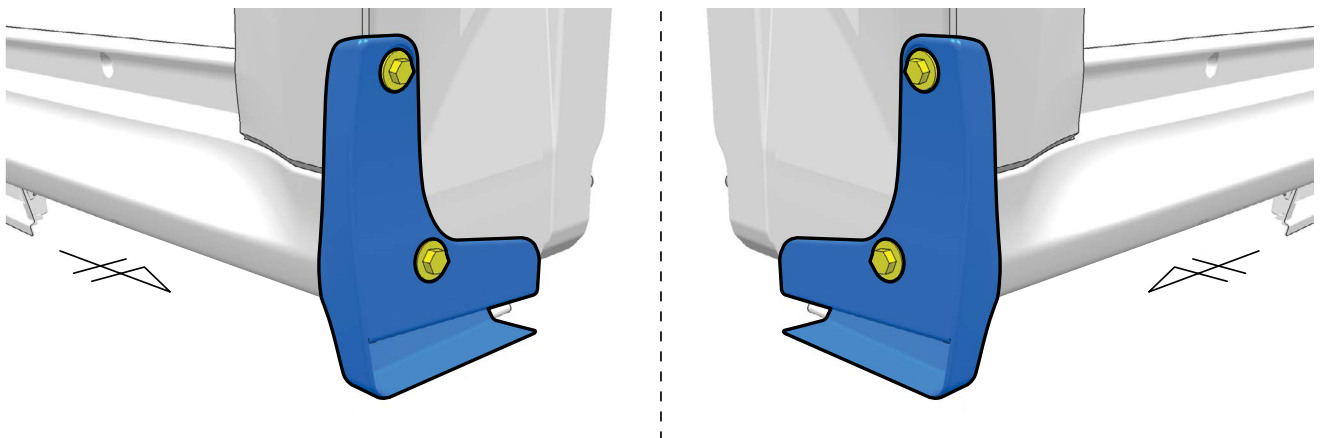
3



4



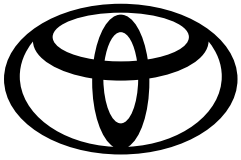
5



RHS = LHS



6



CHECK SHEET

Page 1 of 1

Model/Year

Yaris

Front Mudflaps

As from 2020/06

VINn°

□ □ □ □ □ □ □ □ □ □ □ □ □ □ □ □ □ □ □ □

DURING INSTALLATION

1

□

2

LHS RHS

□ □

AFTER INSTALLATION

1

LHS RHS

□ □

2

□

Installation Date:

. . / . . /

Technician Name & Signature:

Stamp: