



TOYOTA

ALWAYS A
BETTER WAY

Toyota C-HR

Side skirt

Installation instructions

Model year: 2016/10
Vehicle code: **X*0*-AH***W
Part number: PW150-10000

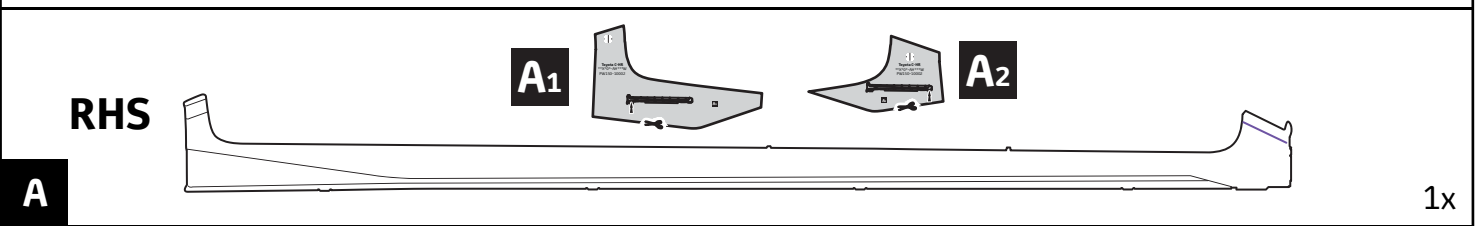
Manual reference number: AIM 003 848-0

Revision Record

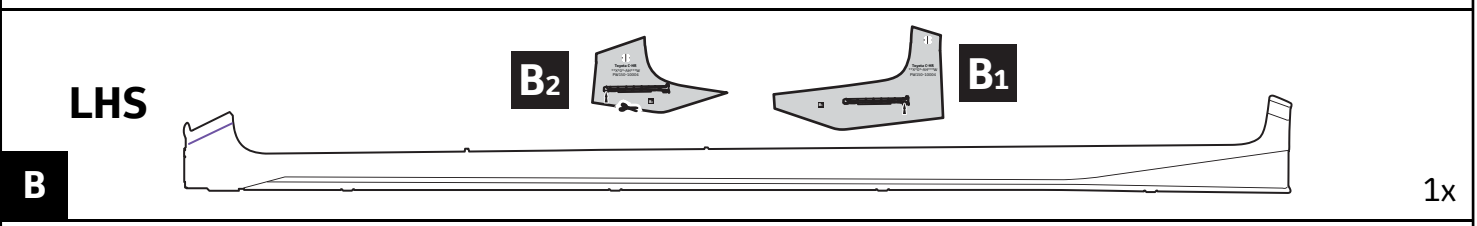
Rev. No.	Date	Page	Picture	Update	New	Deleted steps

PW150-10000

PW150-10002



PW150-10004

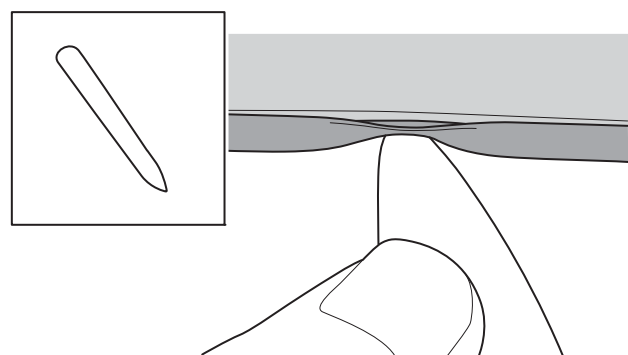
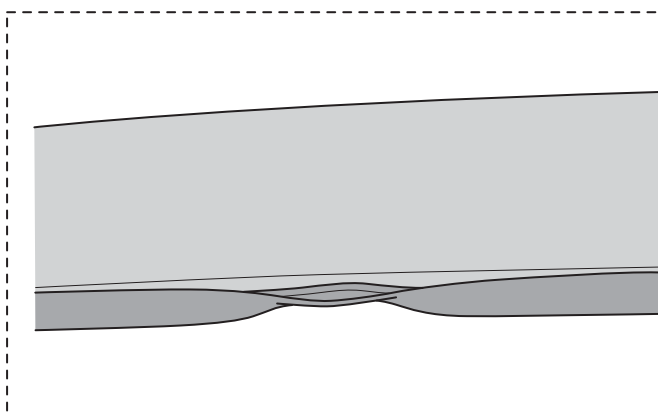
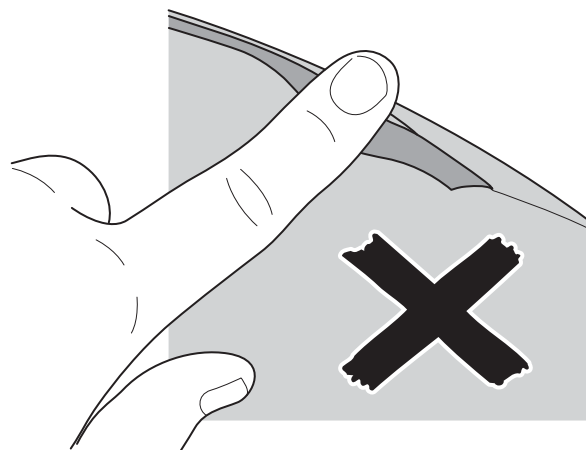
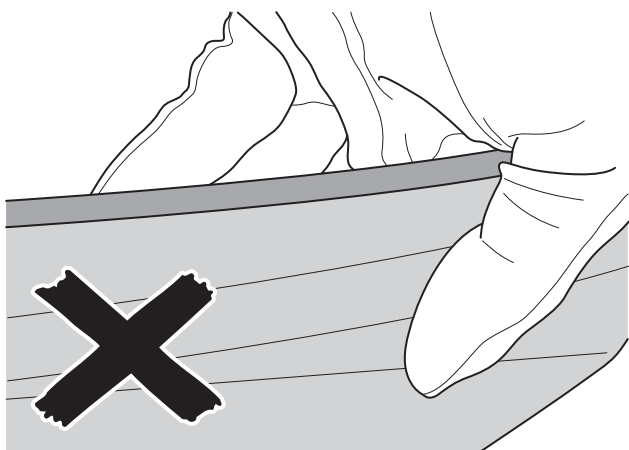
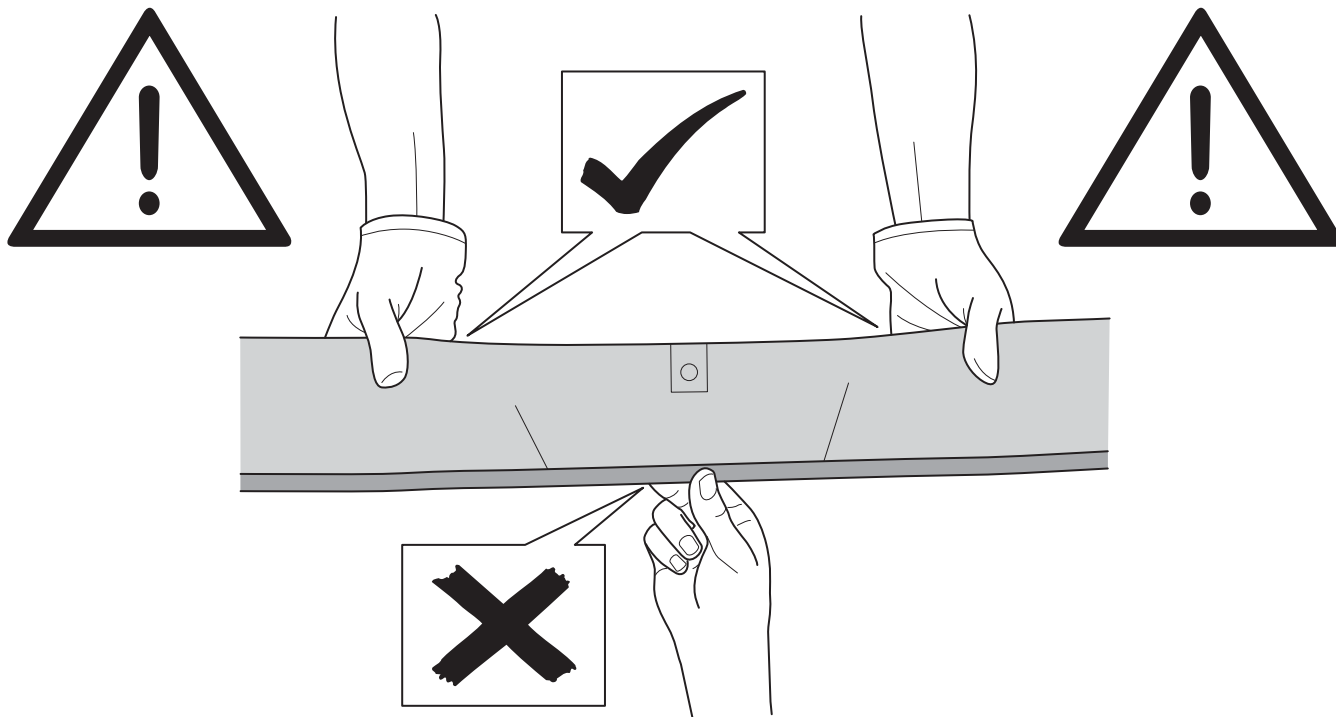


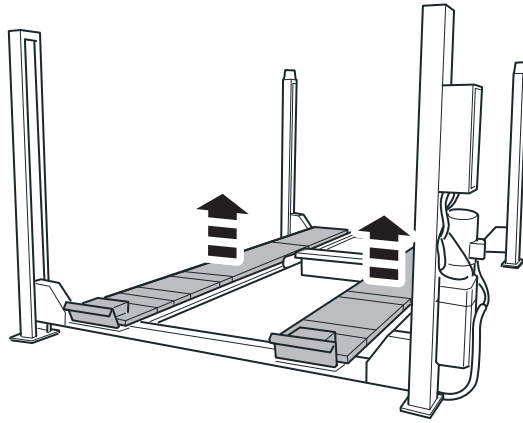
PW150-10003

C		8x	D		6x	E		Ø 30	6x	F		8x
G		Ø 18	10x	H		8x	J		2x	K		8x

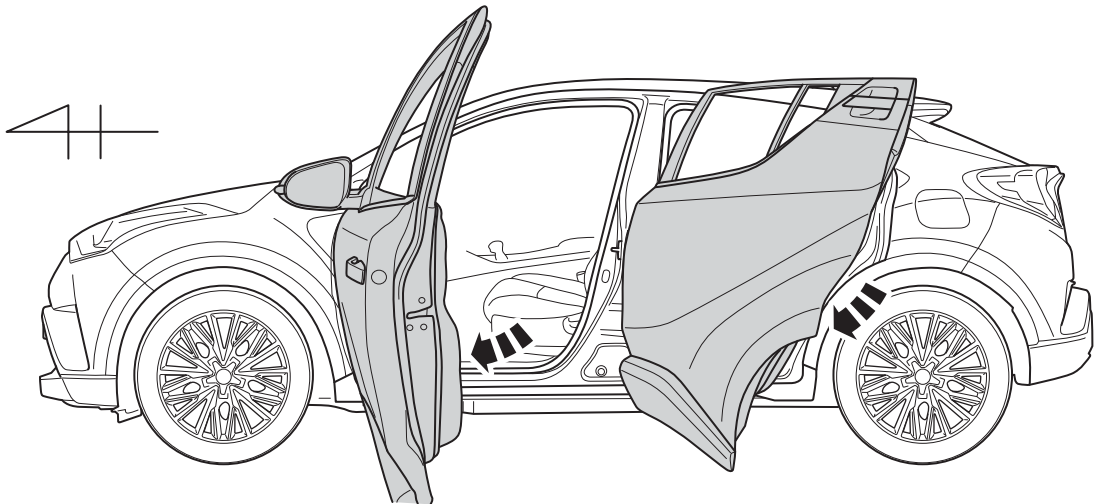
Ø30 mm			Ø3 mm Ø9 mm		

INFO

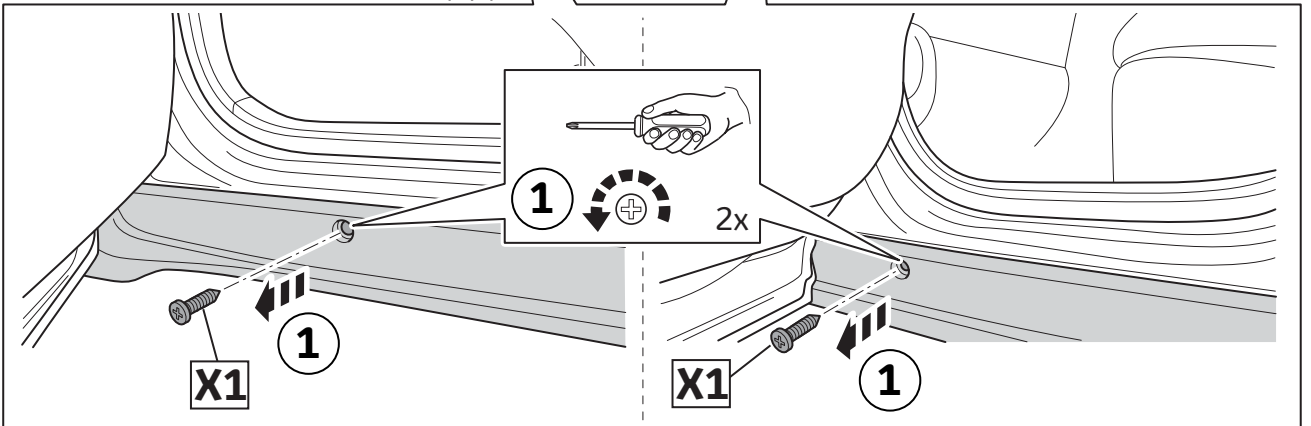
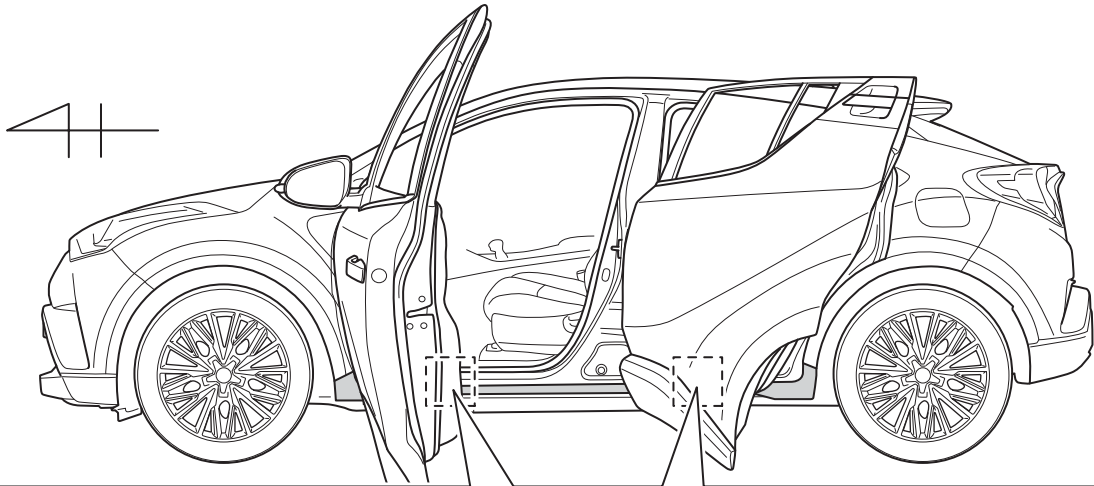




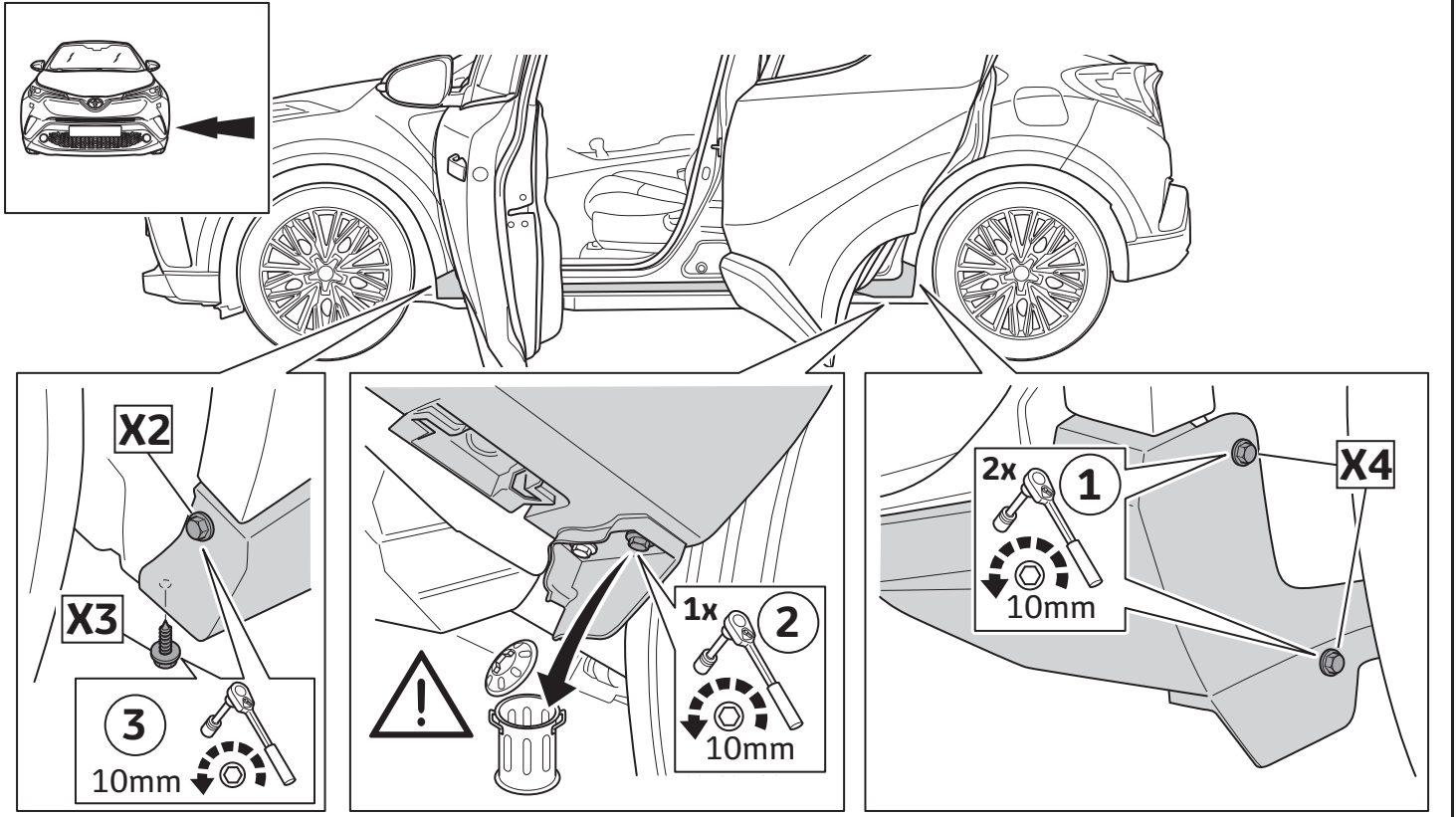
1



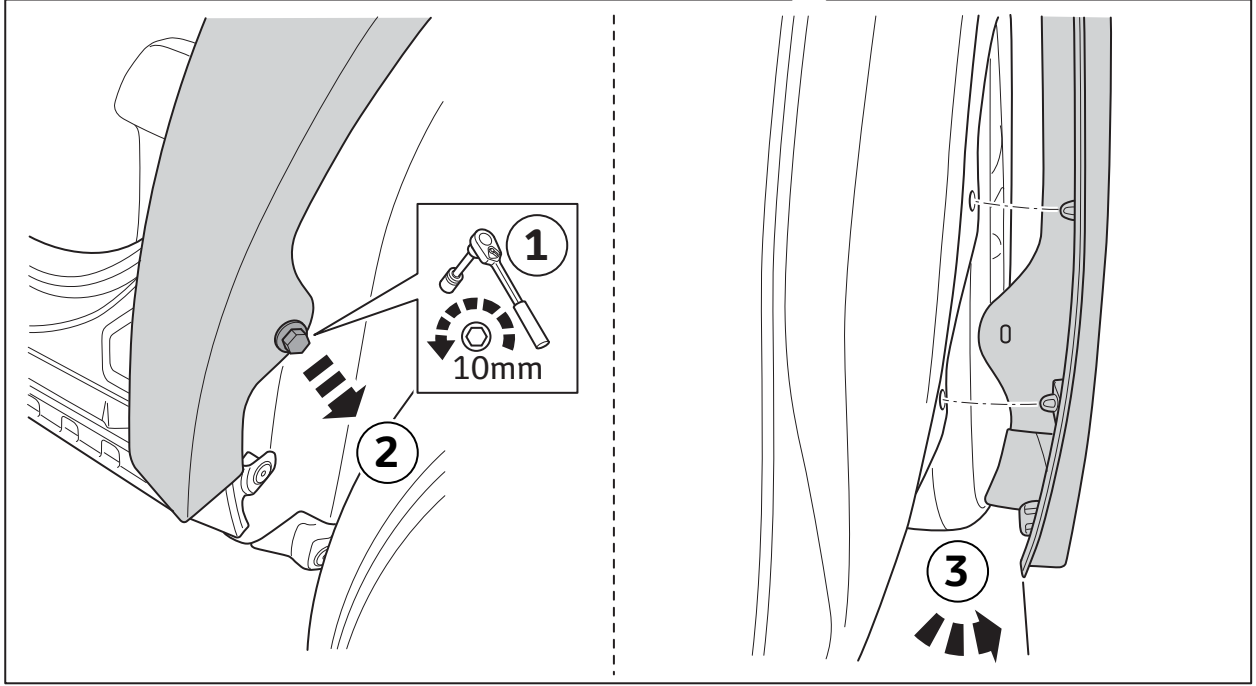
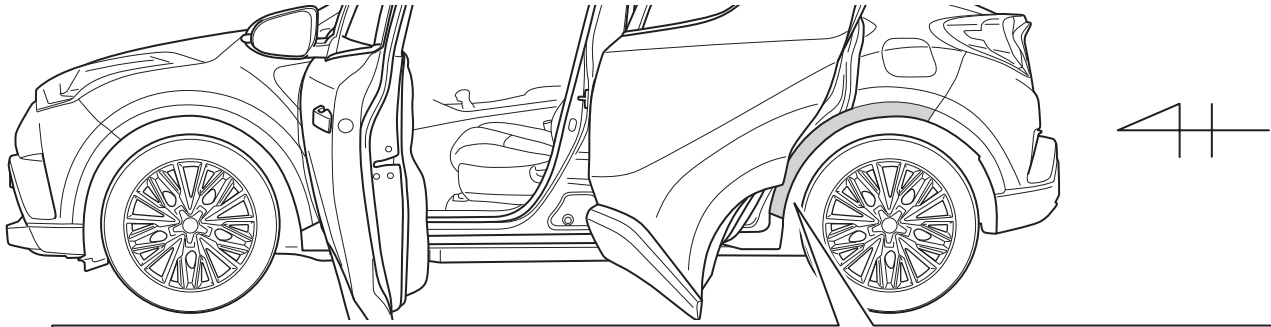
2



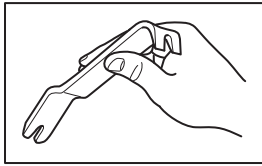
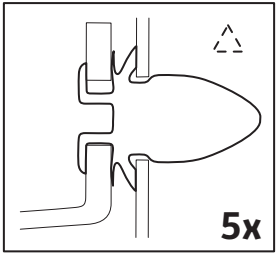
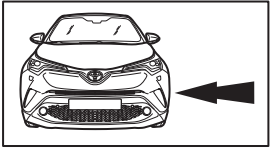
3



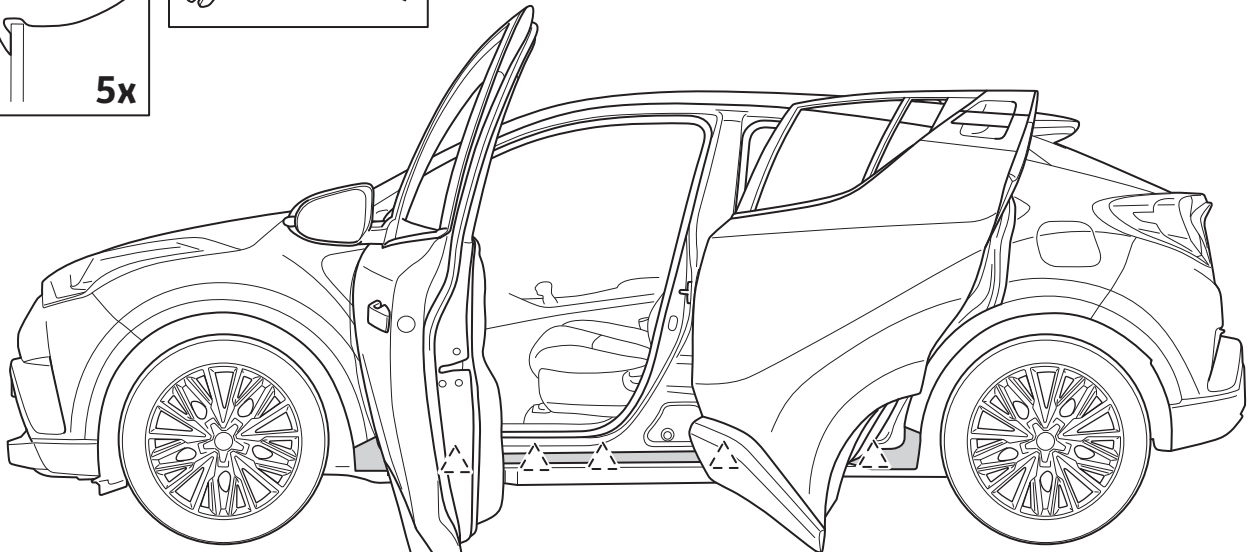
4



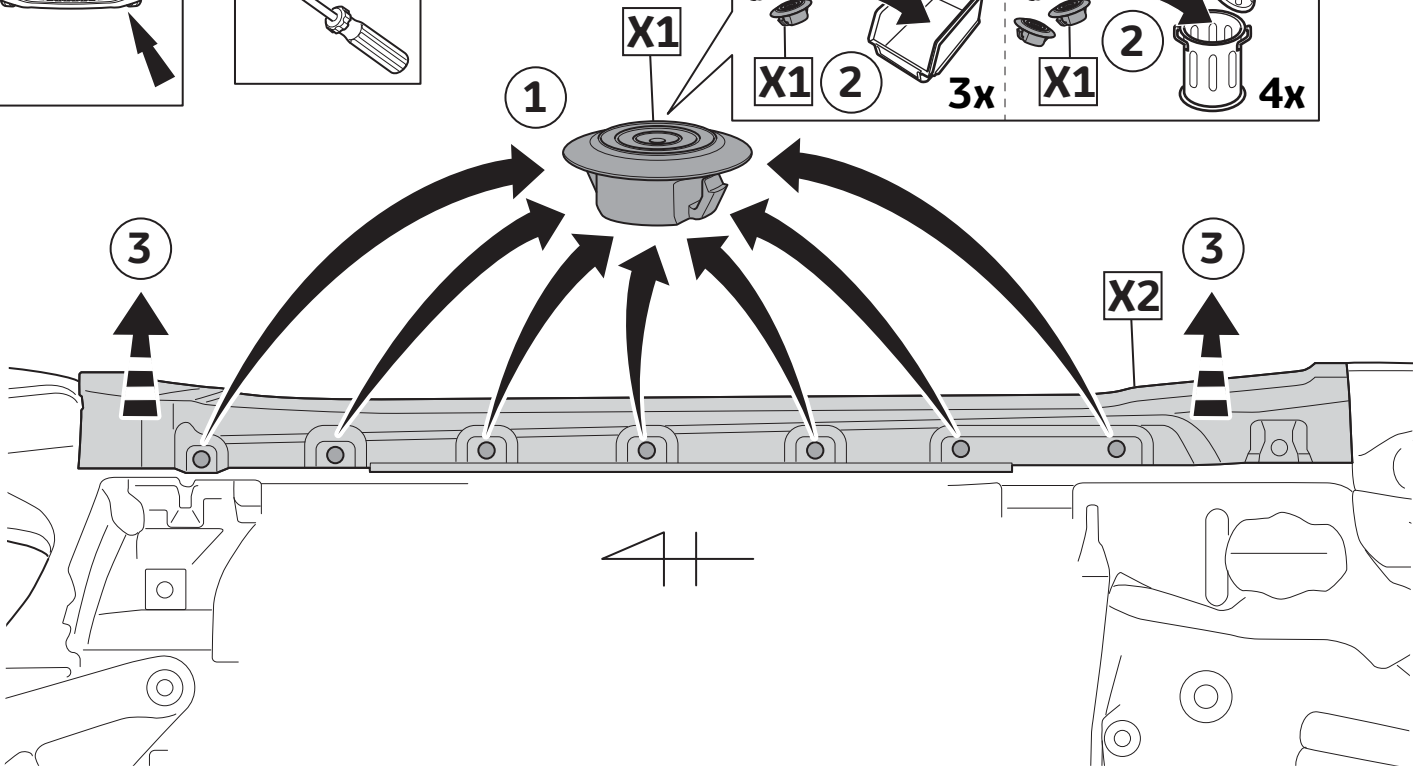
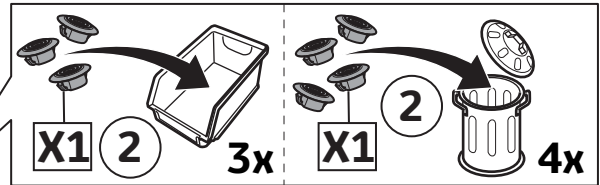
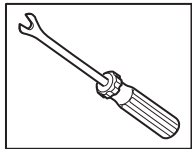
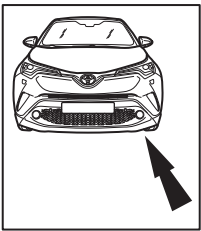
5



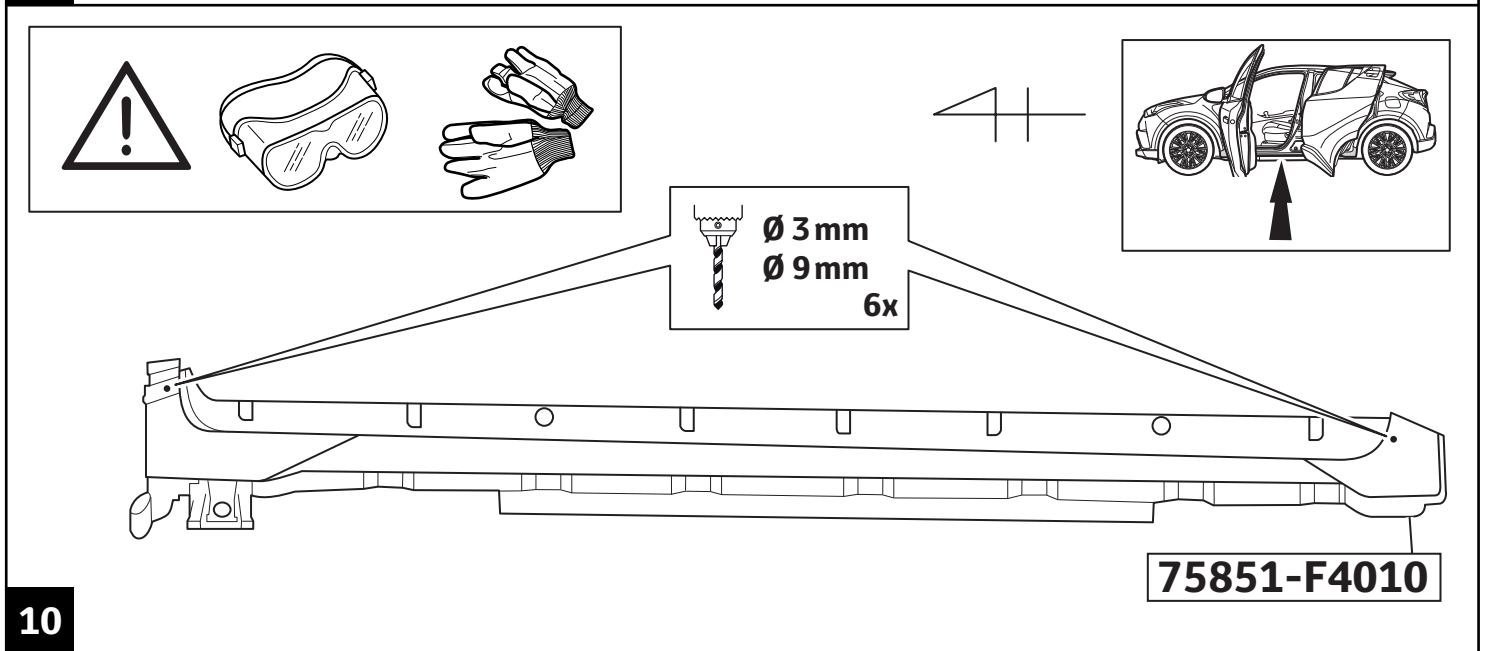
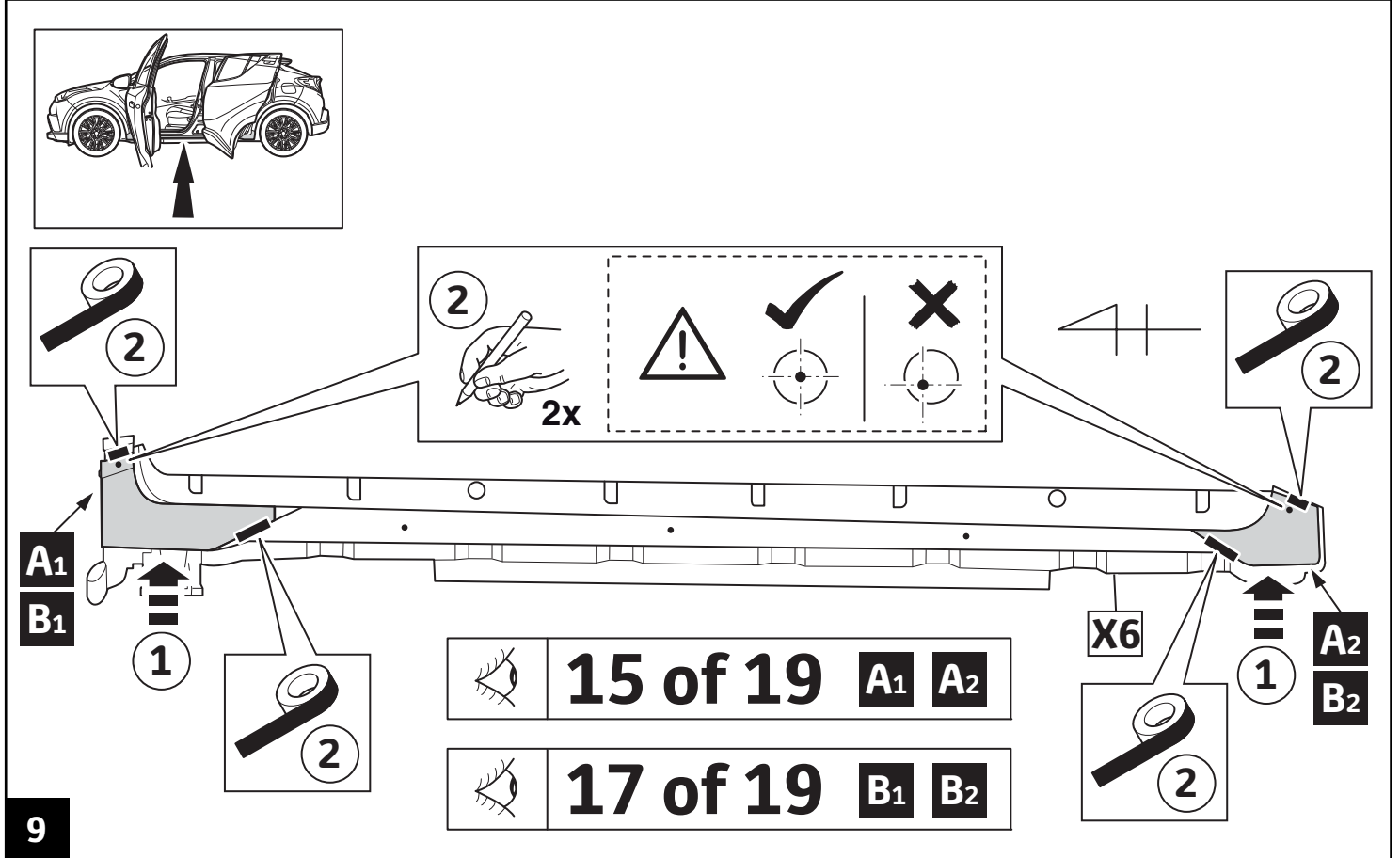
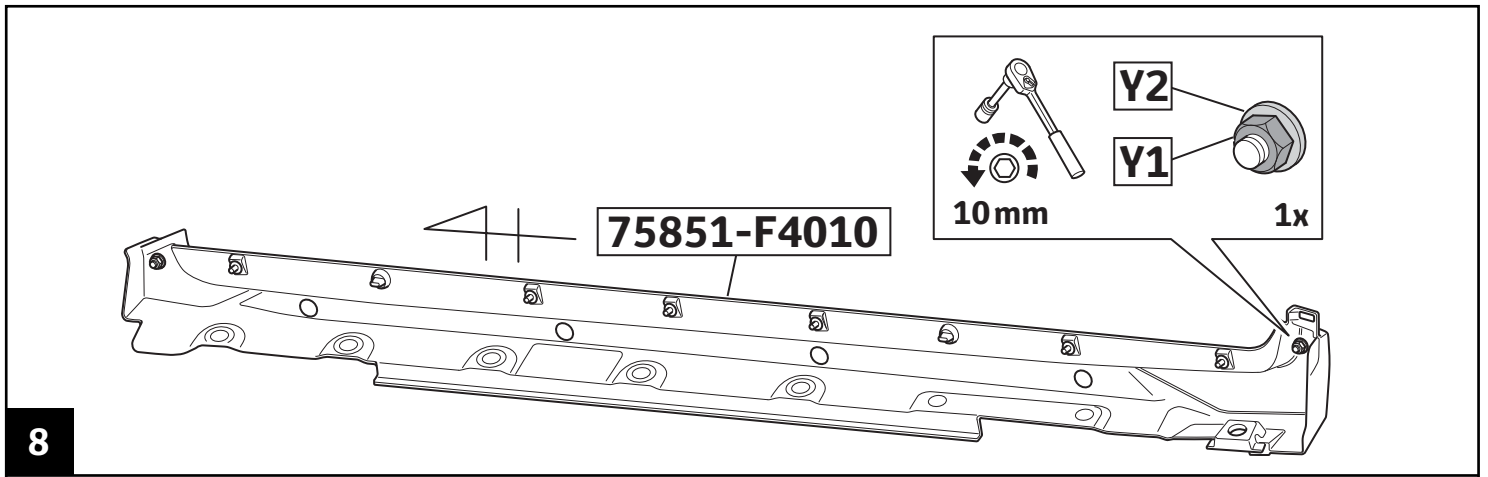
4+

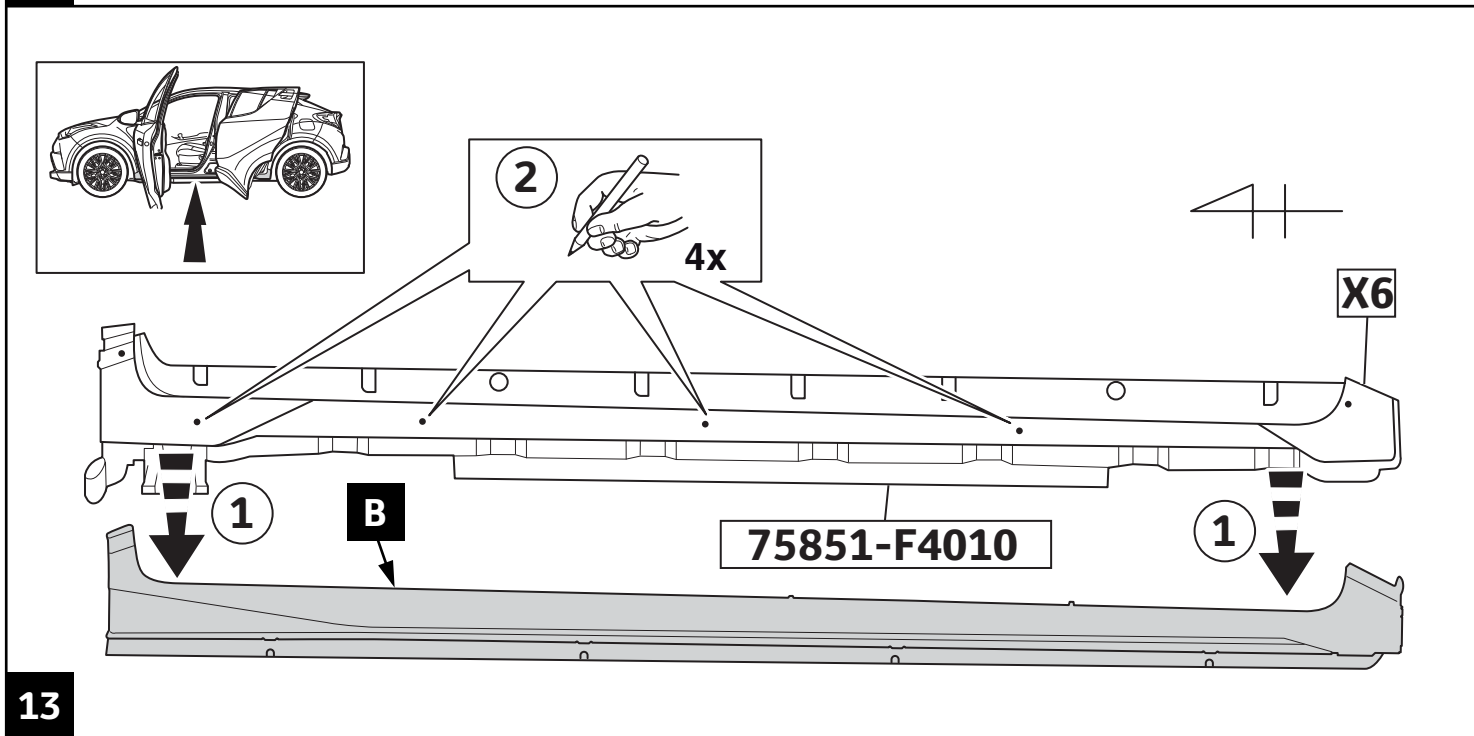
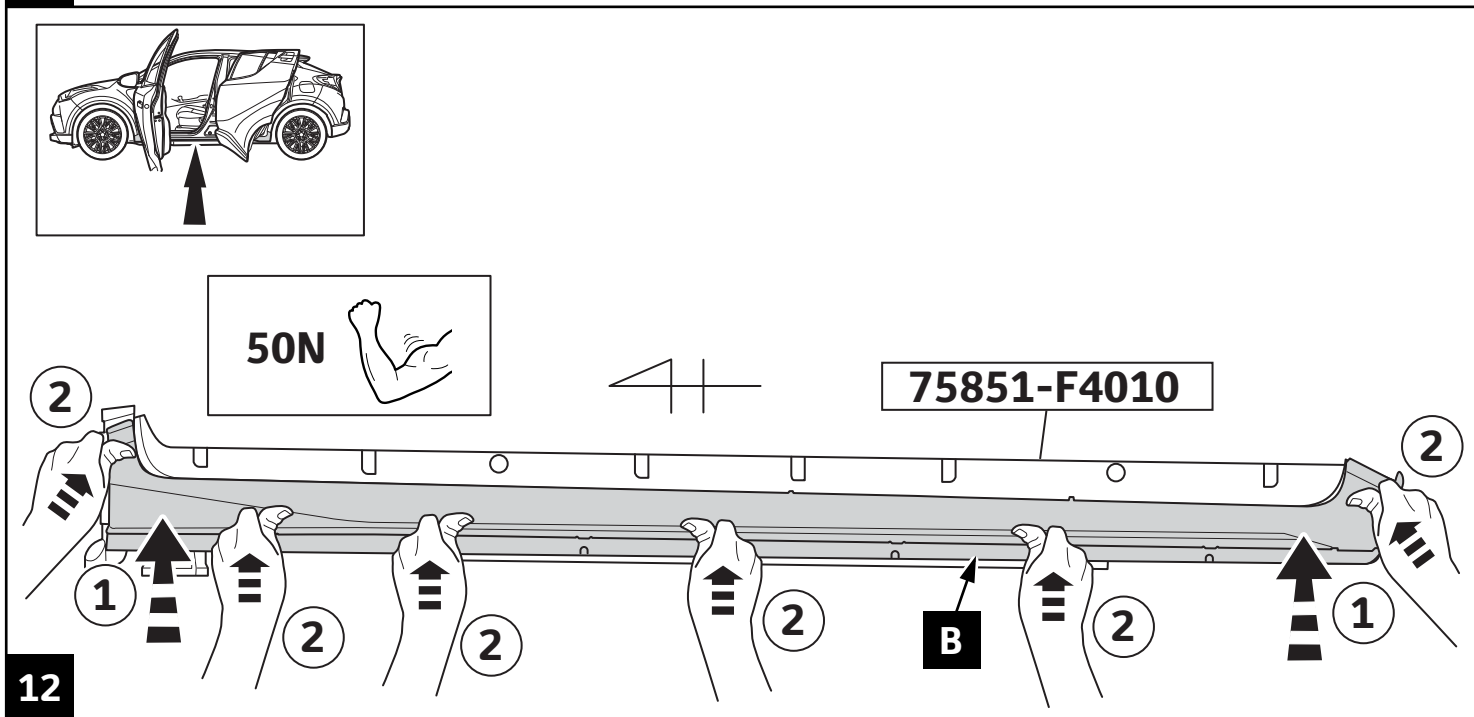
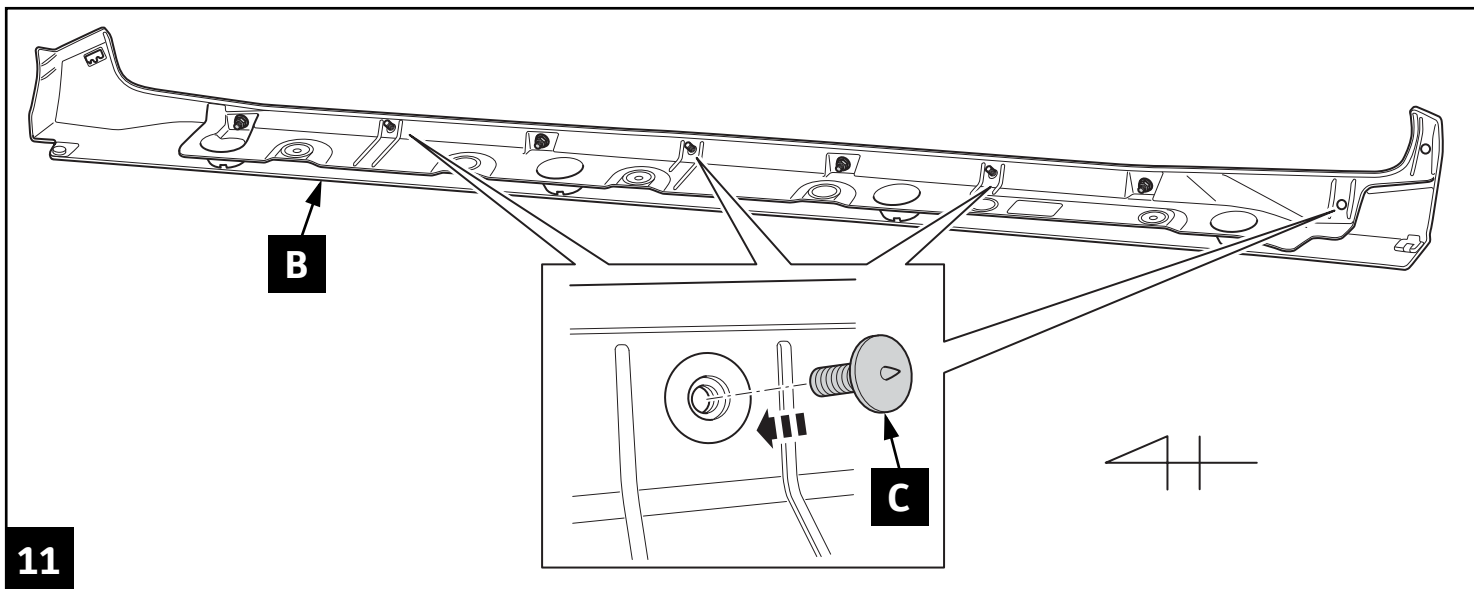


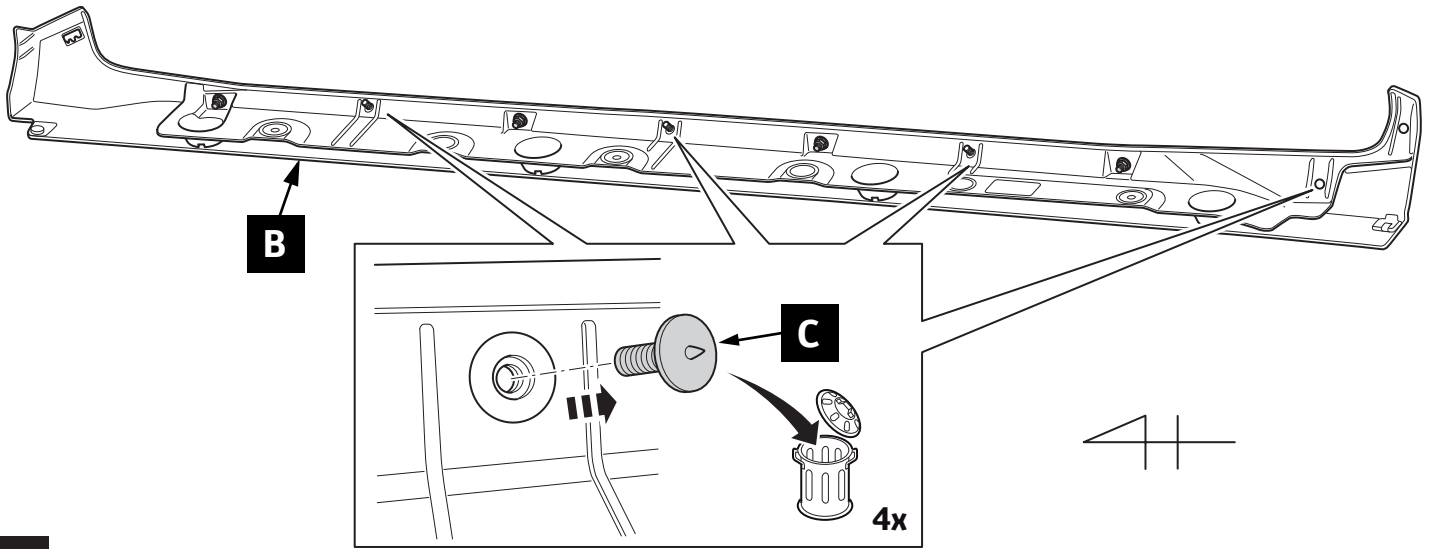
6



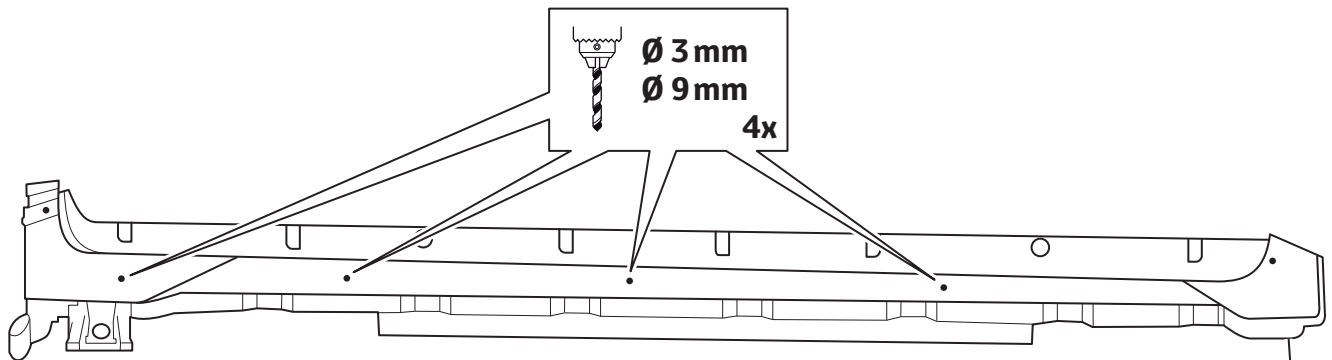
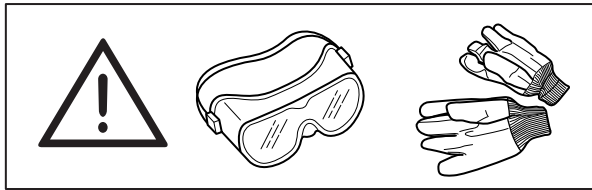
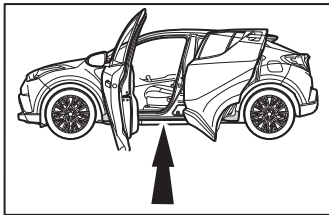
7





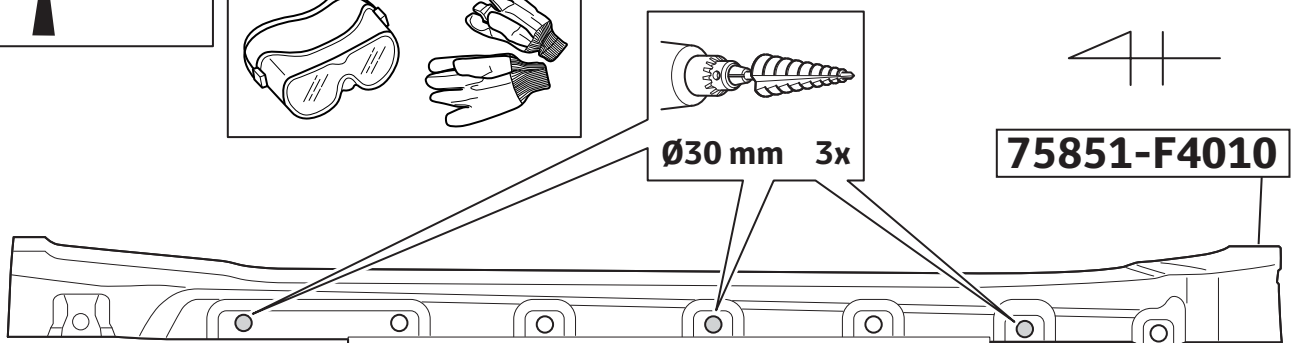
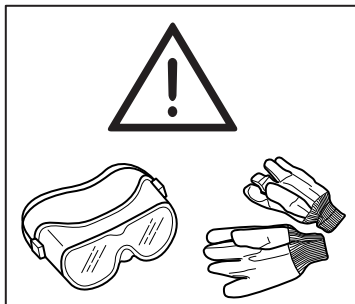
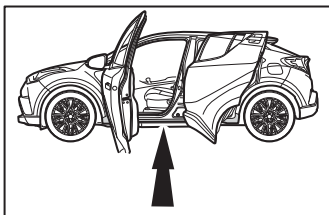


14



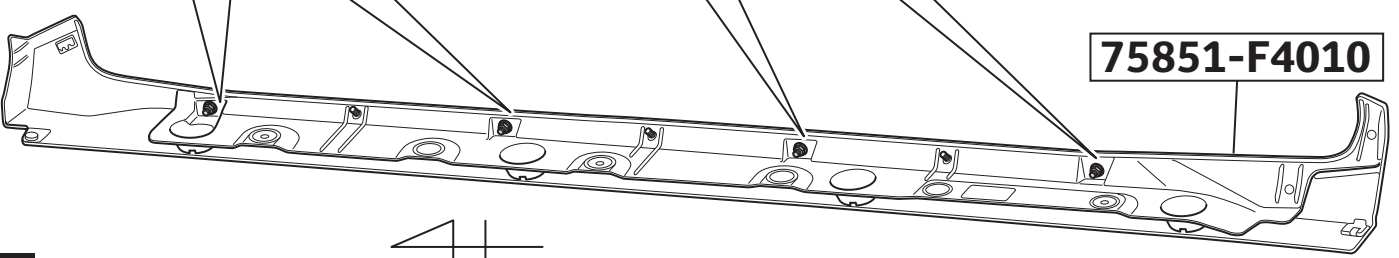
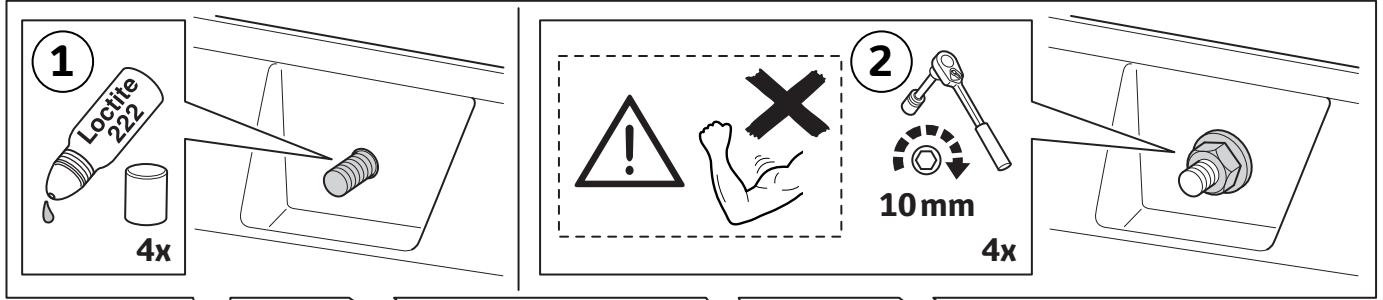
75851-F4010

15

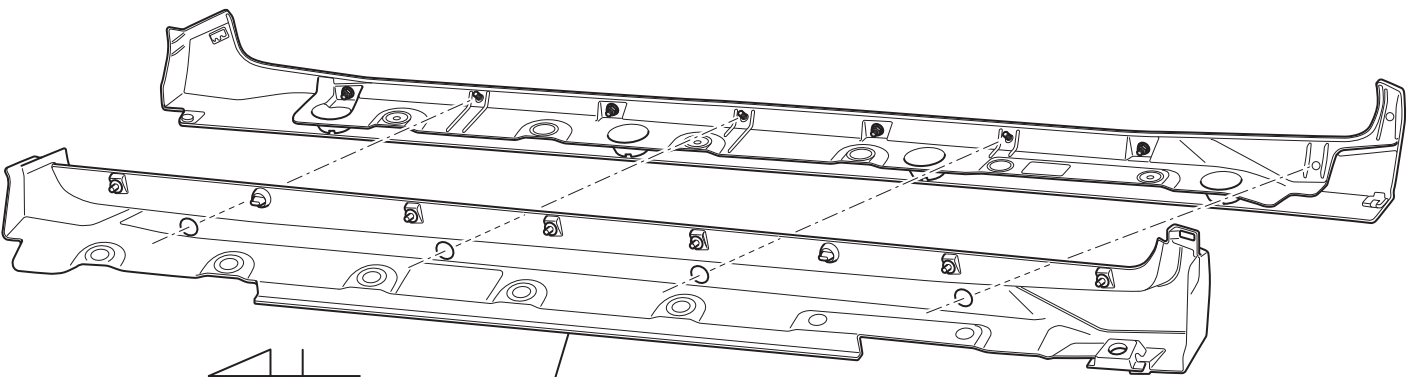


75851-F4010

16

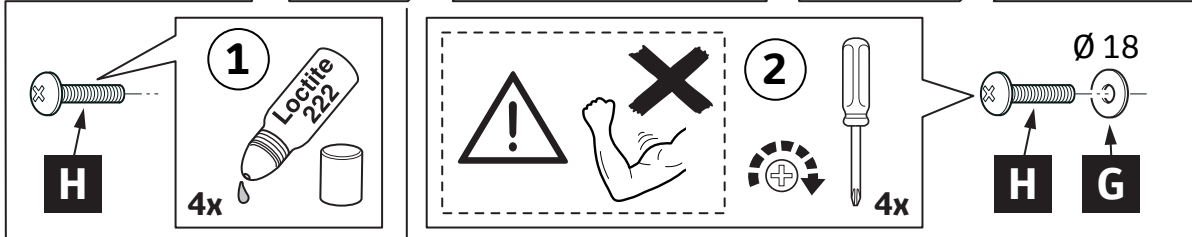
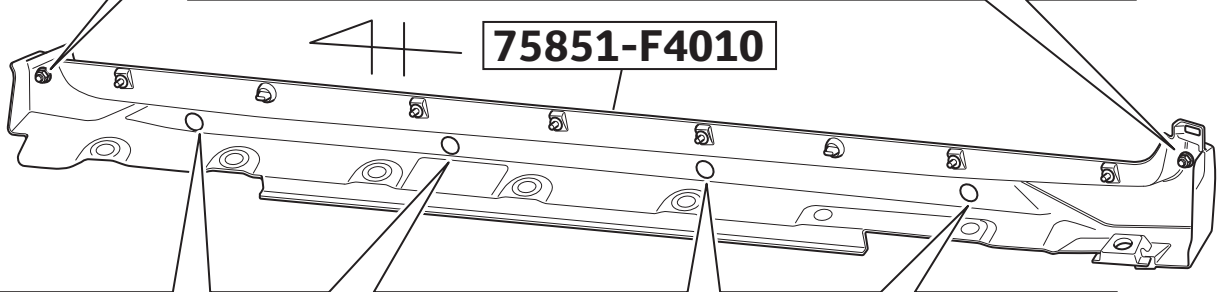
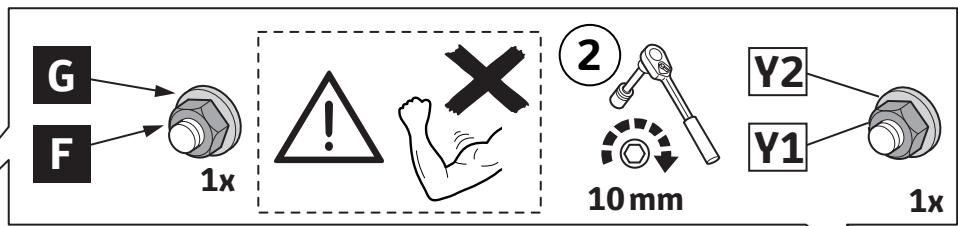


17

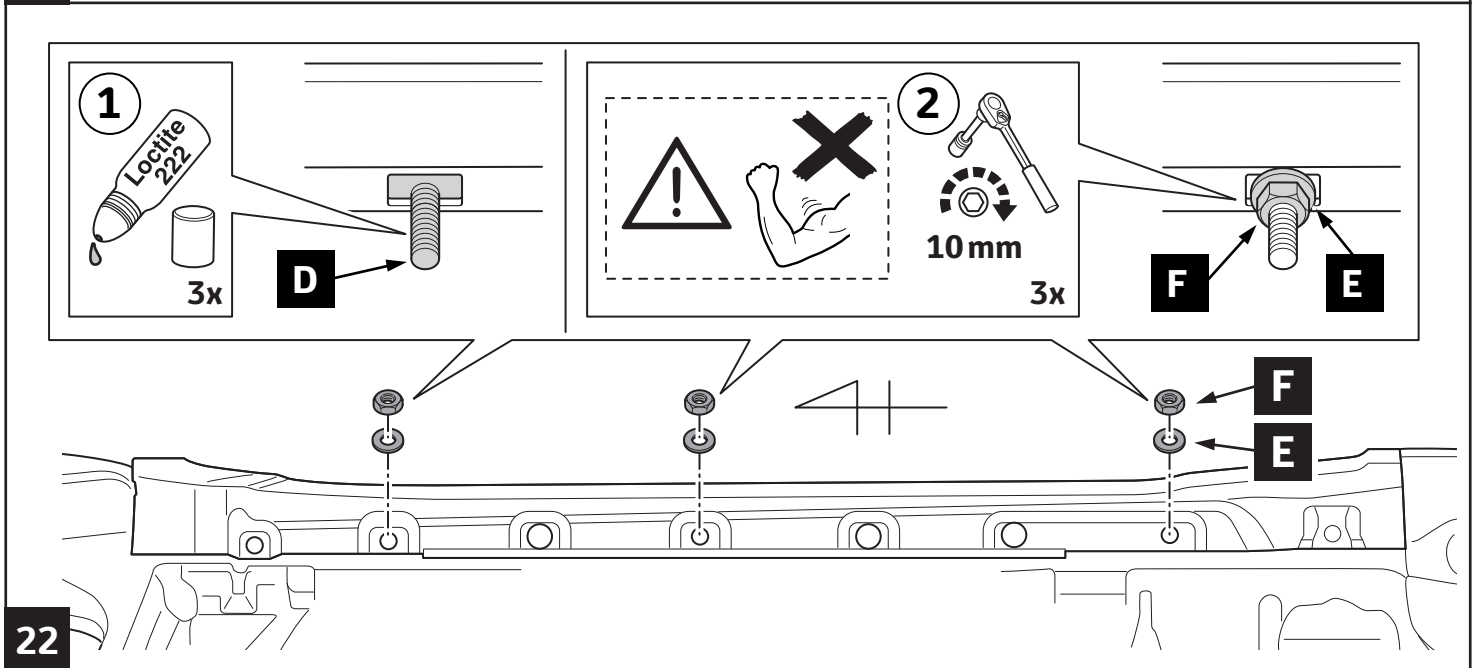
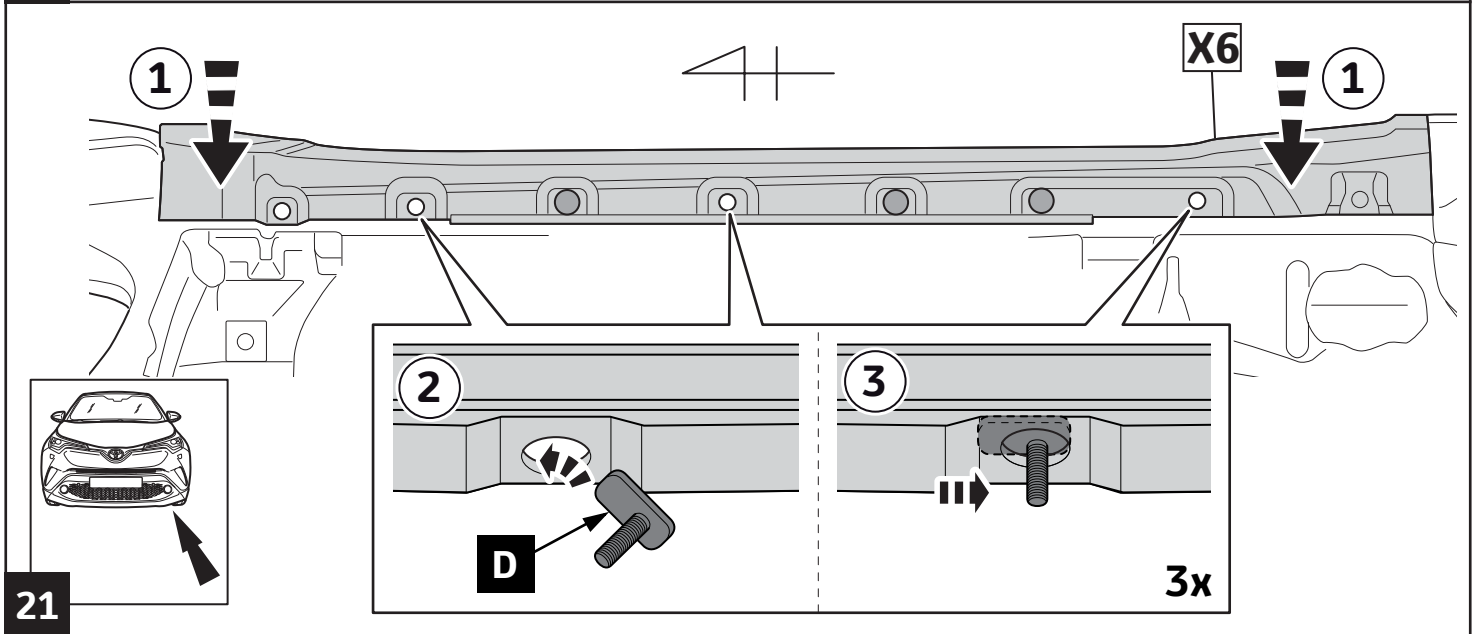
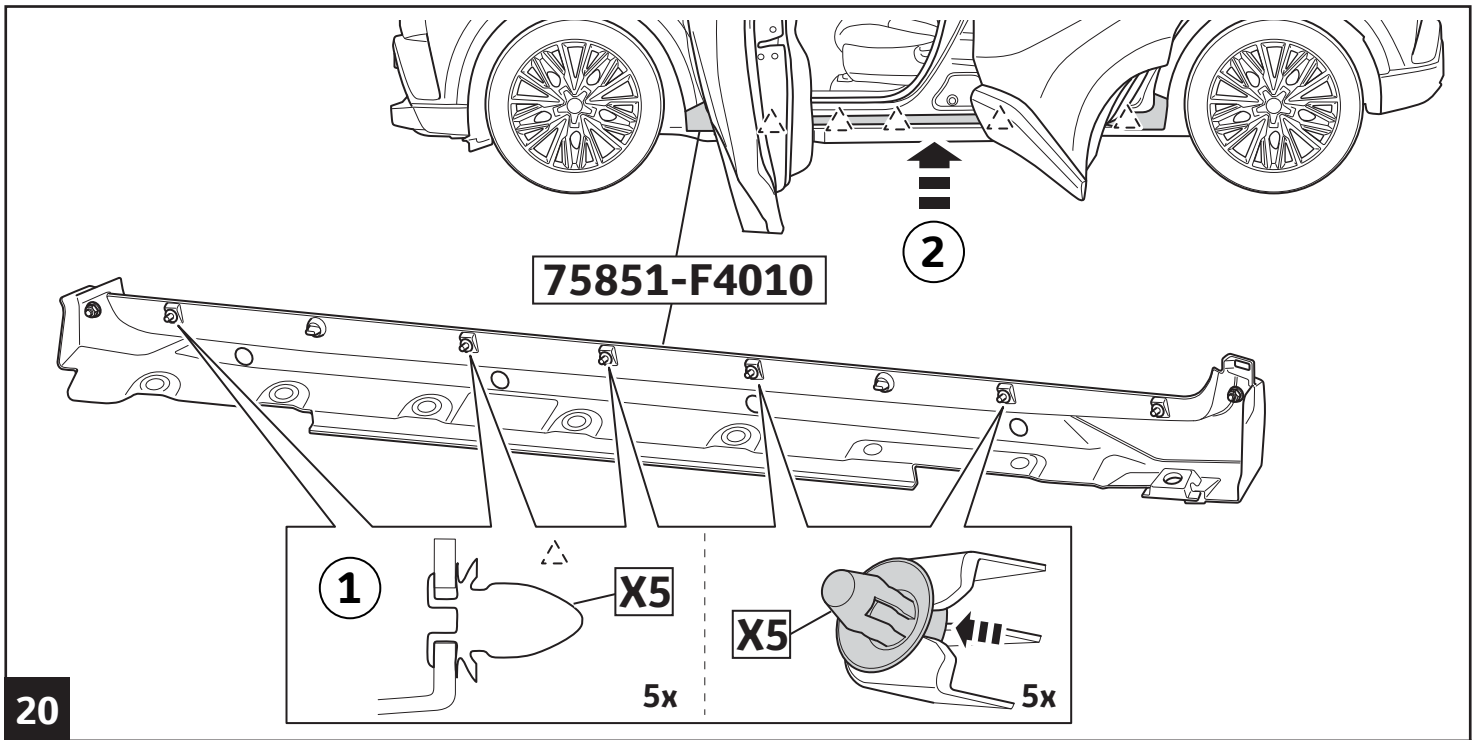


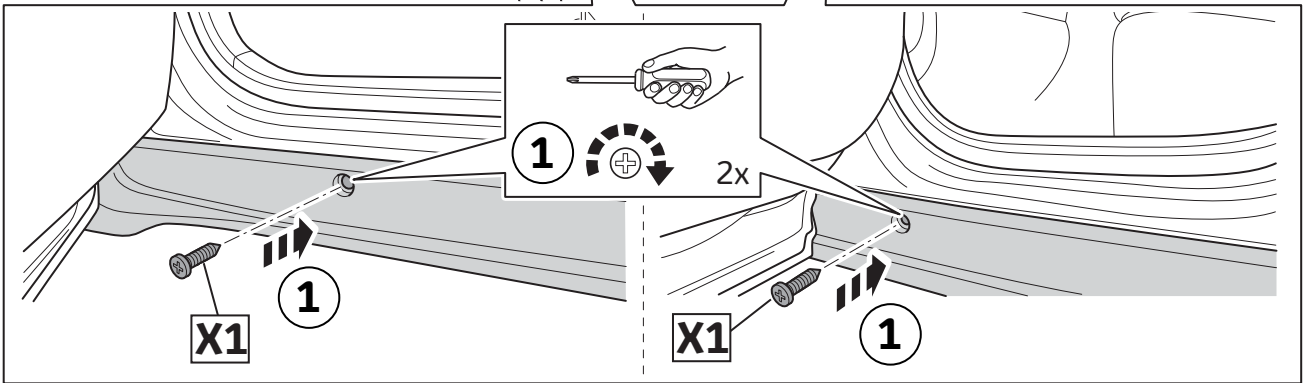
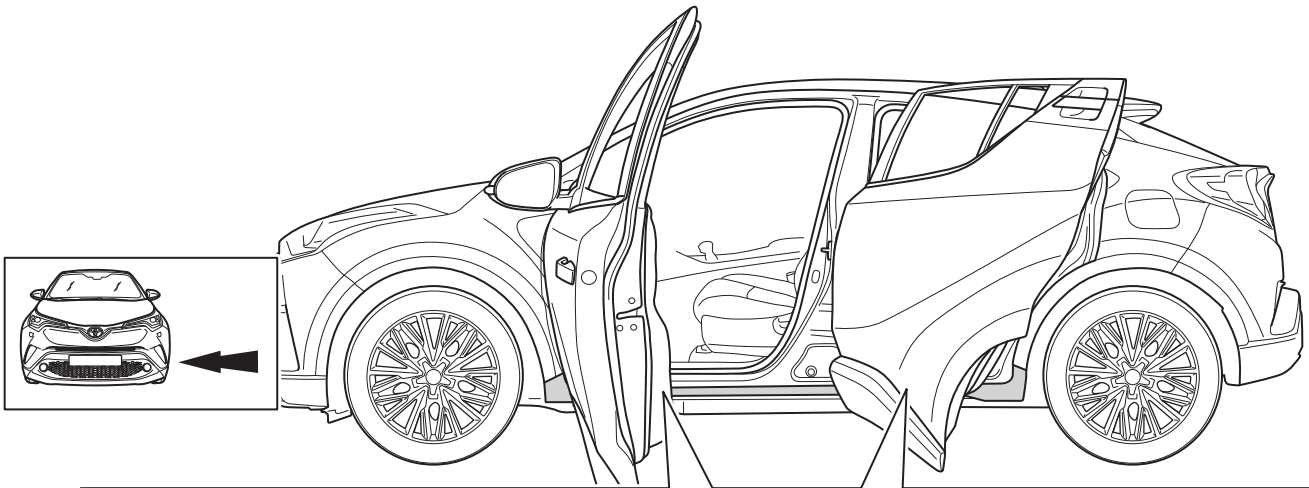
75851-F4010

18

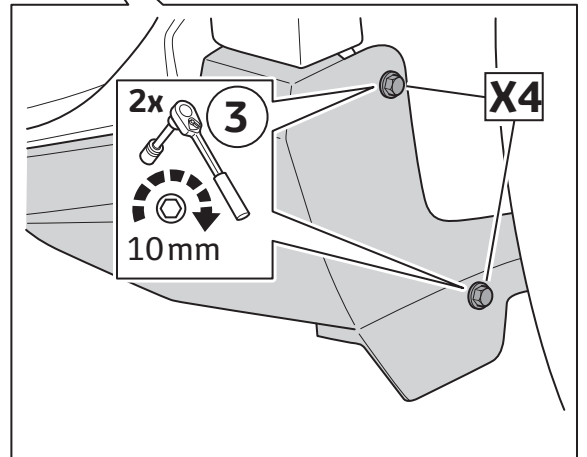
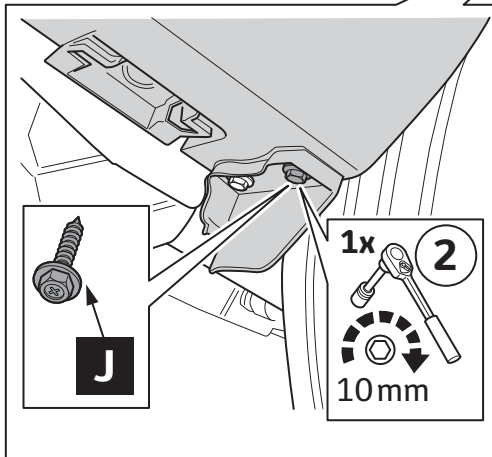
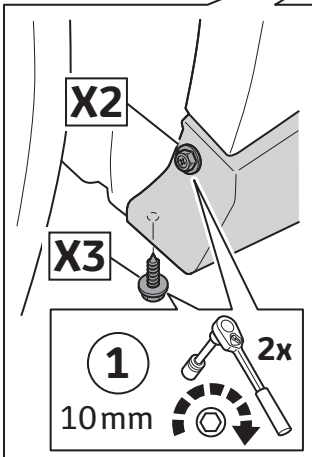
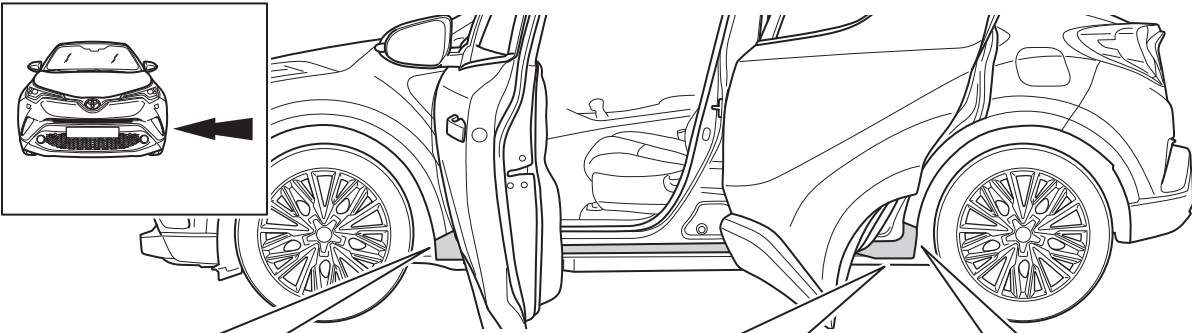


19

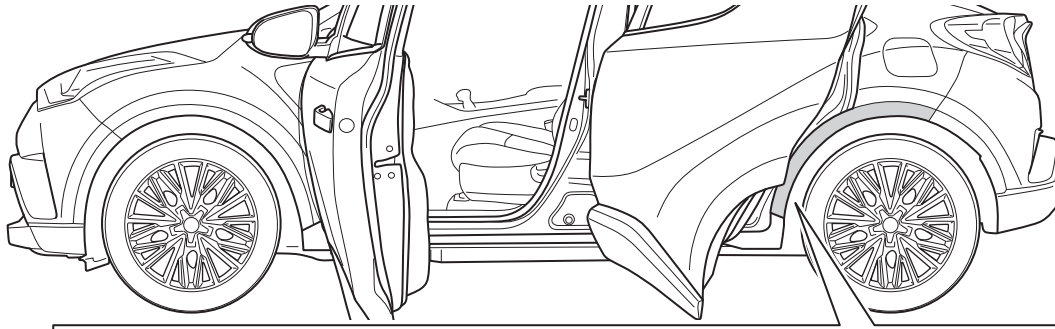




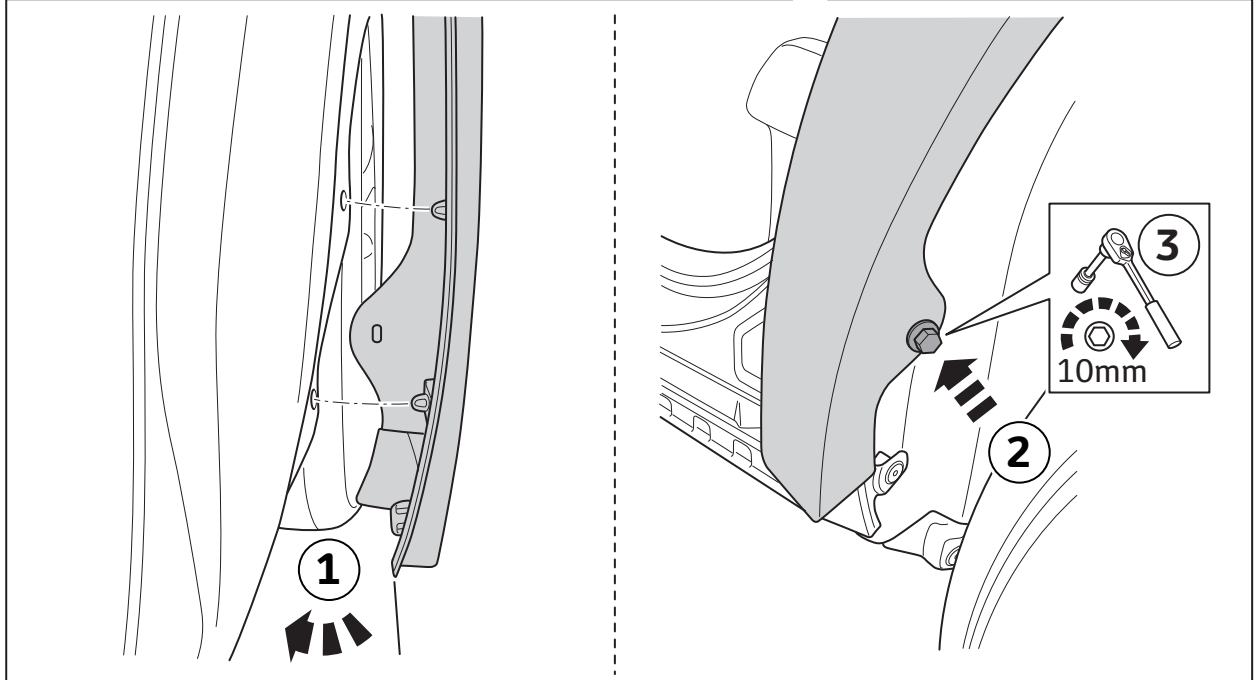
23



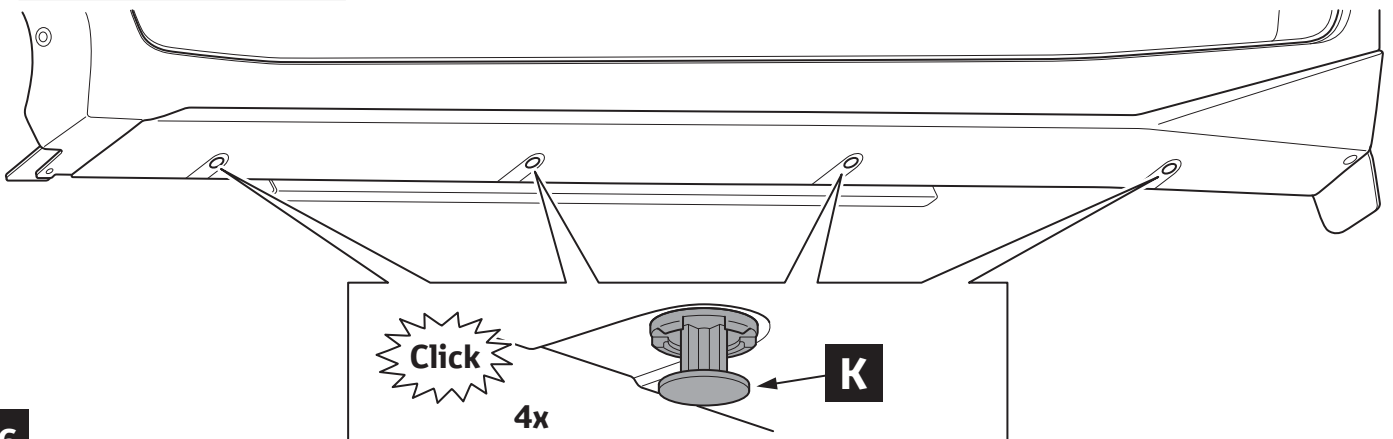
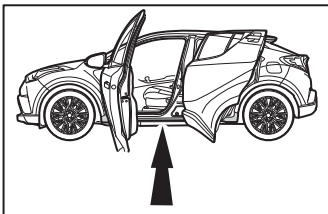
24



4



25



26

Fig.1 - Fig.26

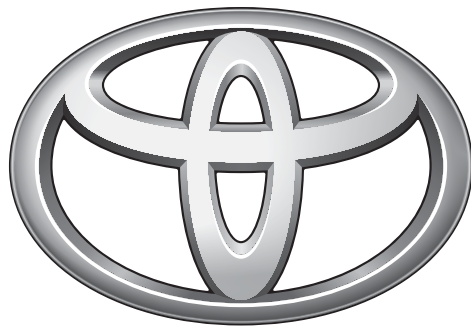
Fig.1 - Fig.26

RHS = LHS

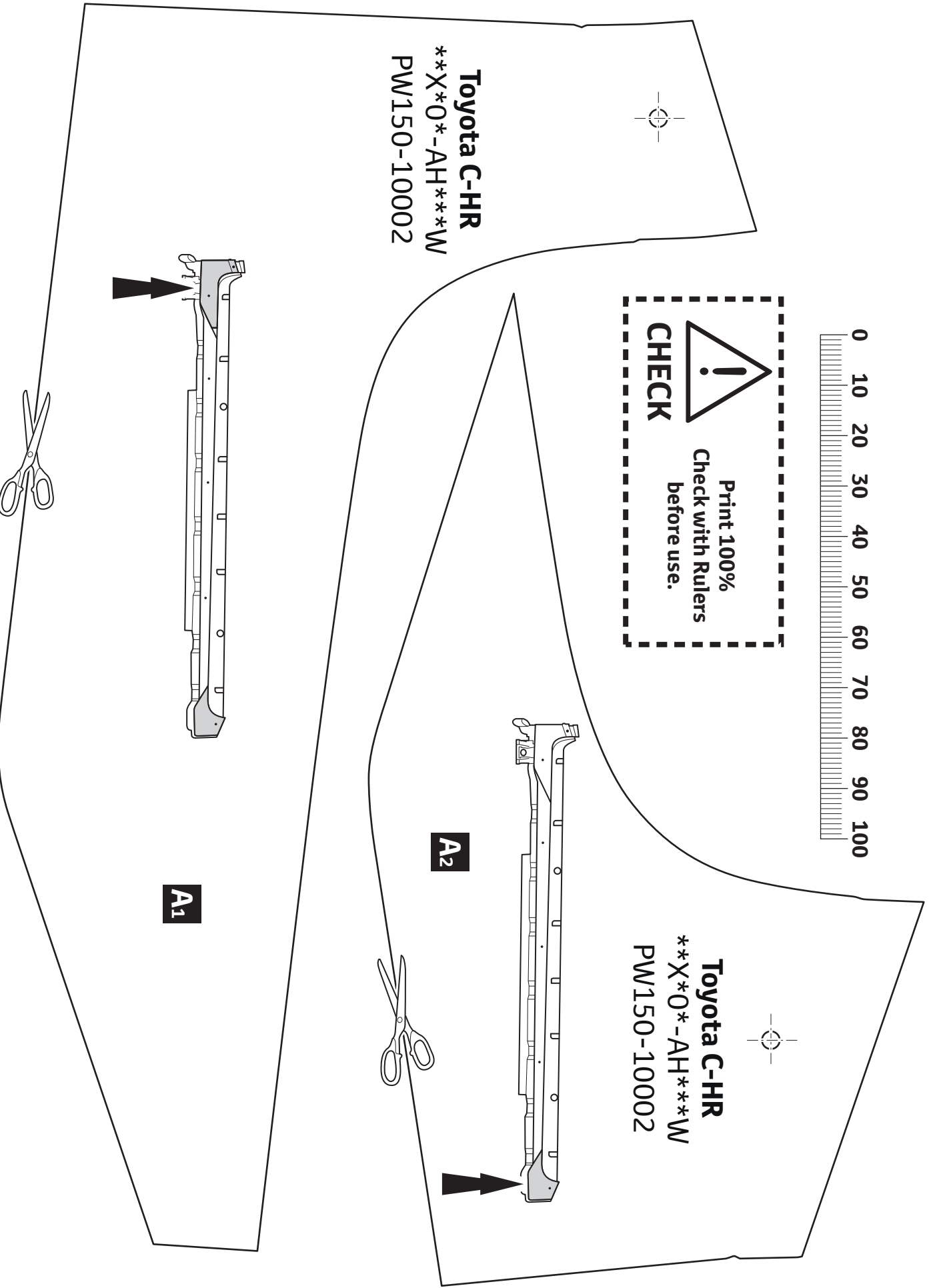
A

B

27



TOYOTA



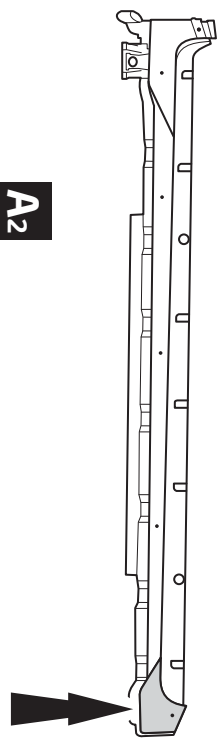
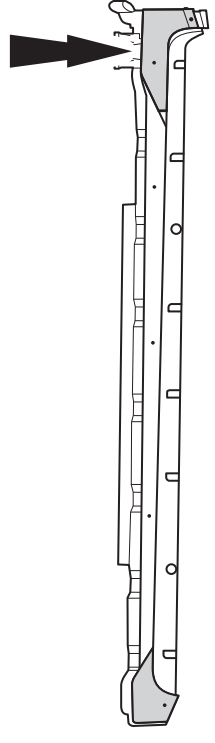
!
CHECK
 Print 100%
 Check with Rulers
 before use.

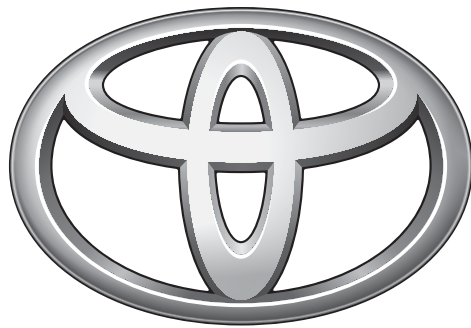
Toyota C-HR
 X*0*-AH*W
 PW150-10002

Toyota C-HR
 X*0*-AH*W
 PW150-10002

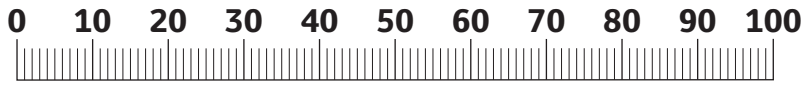
A1

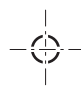
A2

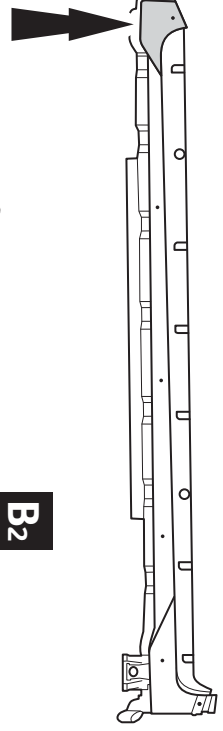





TOYOTA



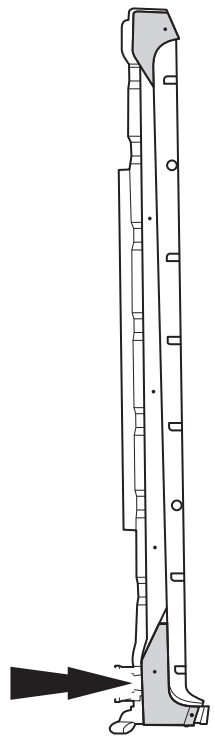

Toyota C-HR
 X*0*-AH*W
 PW150-10004



B2

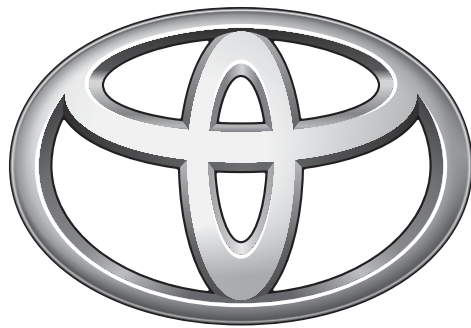

CHECK
 Print 100%
 Check with Rulers
 before use.


Toyota C-HR
 X*0*-AH*W
 PW150-10004



B1





TOYOTA

CHECK SHEET




TOYOTA

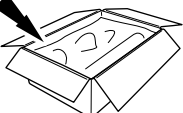
Model / Year Toyota C-HR 2016/10


Side skirt

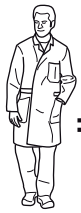
VIN n°

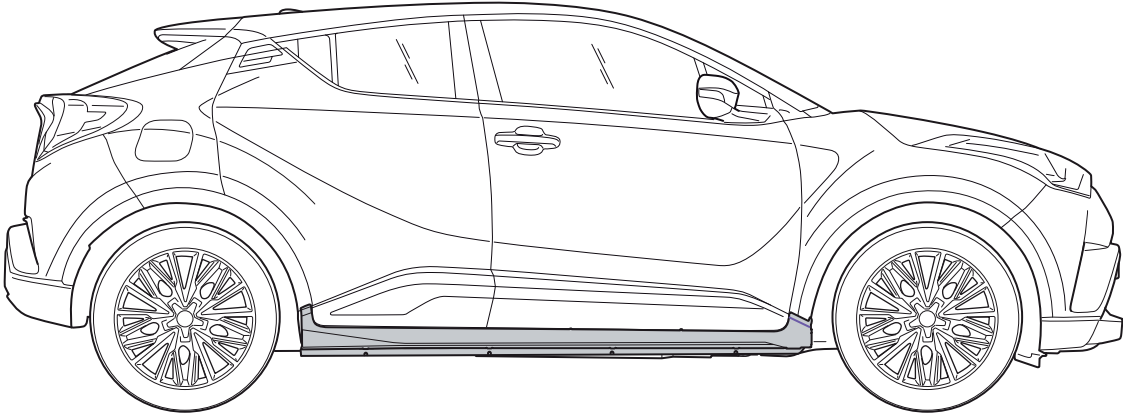

ALWAYS A BETTER WAY




 **P/N = OK**



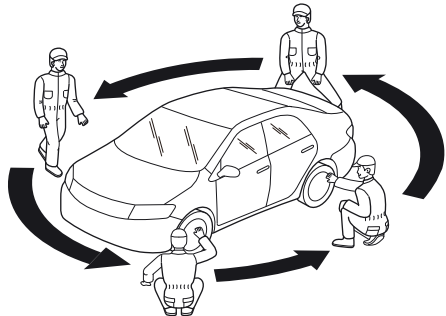
 =A



 =B



LHS **RHS**



  = OK

Installation Date:

.. / .. / ..

Technician Name & Signature:

Stamp: